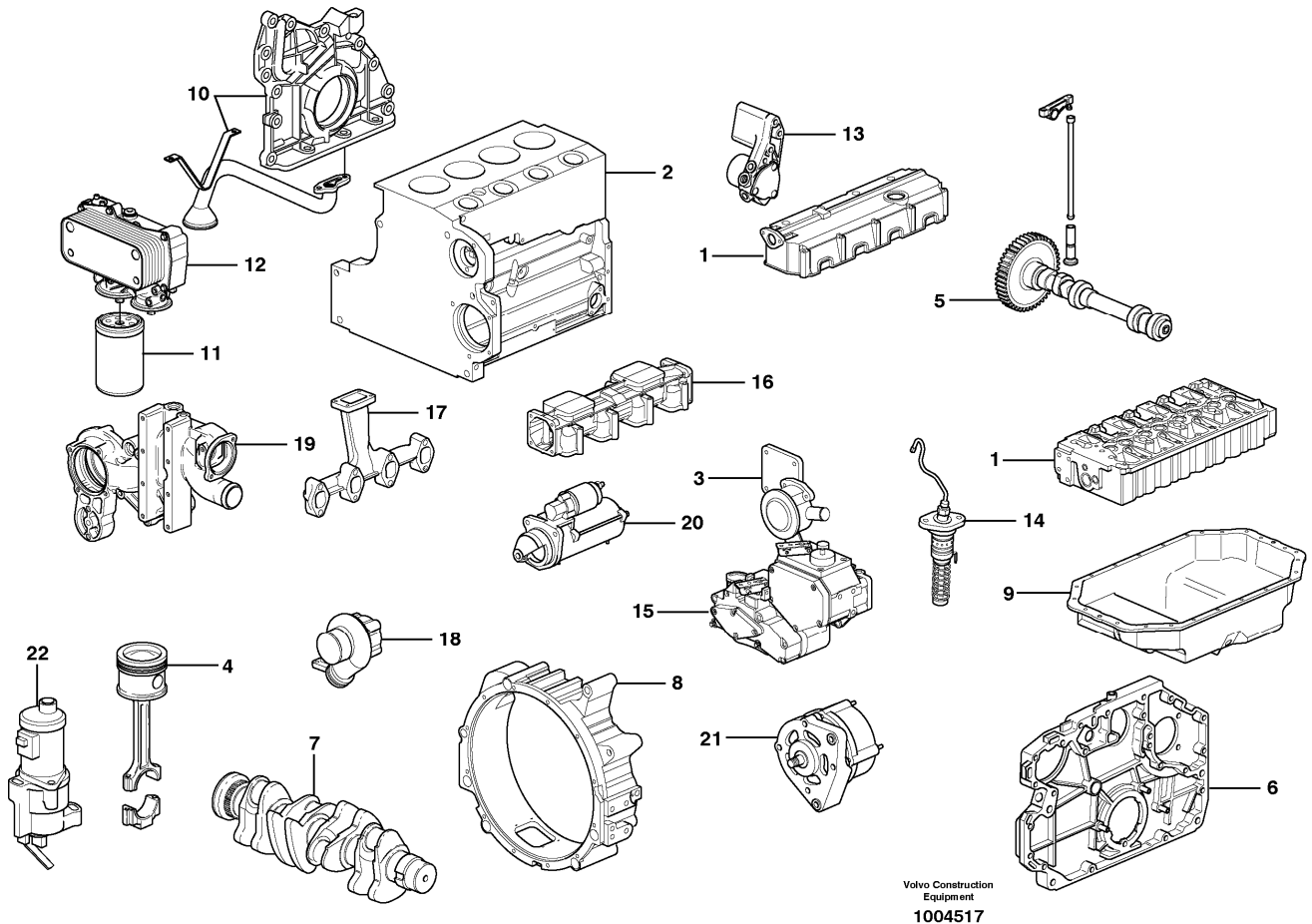


Date: 2013/12/29	Image id: 1004517	Catalogue: 20002	Model: BL71
Brand: Volvo	Serial: 10021-16826	Group/Section: 210/100	Title: Engine



Section option	Kit	Option description
VOE11883246		Engine 70 KW
VOE11885148		Engine
VOE11887322		Engine

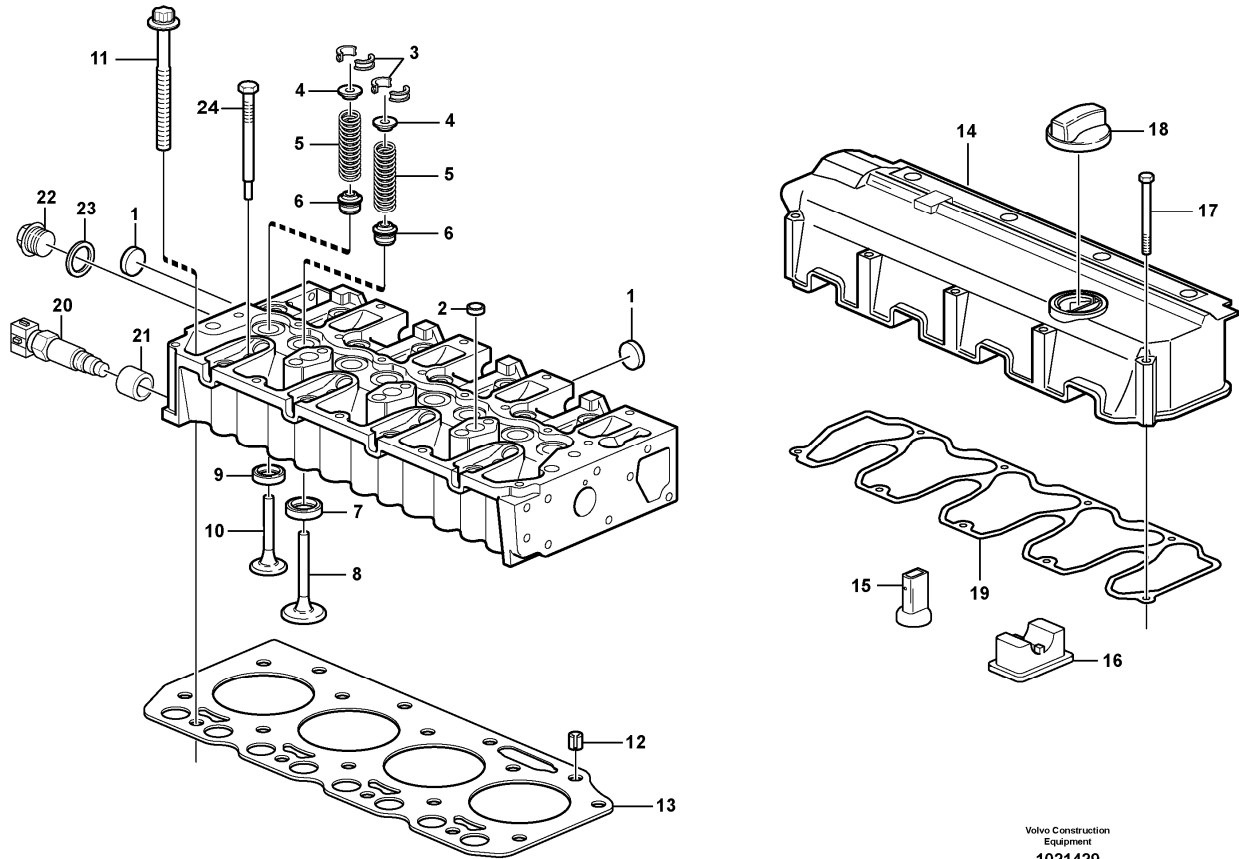
Pos	Part	Q1	Q2	Q3	Q4	Q5	PS	Kit	Description	Option(s)	Remark
	VOE11883246								Engine		See footnote 2111)
	VOE11885148						SS		Engine		See footnote 2112)
	VOE11887322								Engine		S/N 12827 -
1		1							•Cylinder head		See ref 211/100
2		1							•Cylinder block		See ref 212/100
3		1							•Crankcase ventilation		See ref 212/150
4		4							•Piston		See ref 213/100
5		1							•Valve mechanism		See ref 214/100
6		1							•Timing gear casing		See ref 215/100

7		1							•Crankshaft		See ref 216/100
8		1							•Flywheel Hsg		See ref 216/150
9		1							•Oil sump		See ref 217/100
10		1							•Lubricating system		See ref 221/100
11		1							•Oil filter		See ref 222/100
12		1							•Oil cooler		See ref 223/100
13		1							•Fuel pump		See ref 233/100
14		4							•Injection pump		See ref 236/100
15		1							•Regulator		See ref 236/150
16		1							•Inlet pipe		See ref 251/100
17		1							•Exhaust pipe		See ref 251/100
18		1							•Turbocharger		See ref 255/100
19		1							•Water pump and thermo		See ref 262/100
20		1							•Starter motor		See ref 331/100
21		1							•Alternator with fitti		See ref 321/100
22		1							•Stop solenoid		See ref 273/100

2111) S/n 10021 - 10817, 10822 - 10833, 10838 - 10847, 10850 - 10861, 10864 - 10867, 10869 - 10874, 10906,10907.

2112) S/n 10818 - 10821, 10834 - 10837, 10848, 10849, 10862, 10863, 10868, 10875 - 10905, 10908 -

Date: 2013/12/29	Image id: 1021429	Catalogue: 20002	Model: BL71
Brand: Volvo	Serial: 10021-16826	Group/Section: 211/100	Title: Cylinder head E PROD - 01/2006



Volvo Construction
Equipment
1021429

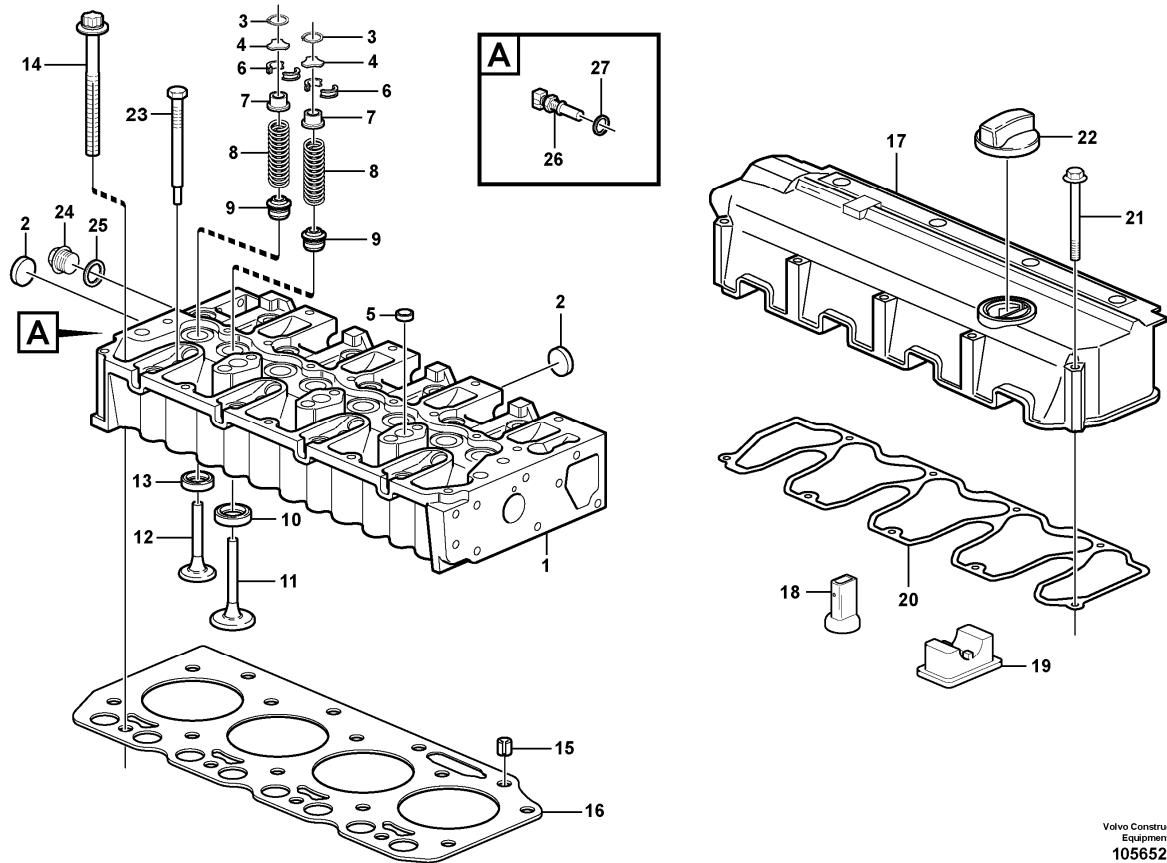
Section option	Kit	Option description
VOE11883246		Engine 70 KW
VOE11885148		Engine
VOE11887322		Engine

Q1-Q5	Option	Option description	
Q1 11883246 11885148	VOE11883246	Engine 70 KW	
Q2 11887322	VOE11887322	Engine	

Pos	Part	Q1	Q2	Q3	Q4	Q5	PS	Kit	Description	Option(s)	Remark
	VOE20590598	1	1						Cylinder head		
1	VOE20412745	3	3						•Core plug		
2	VOE20412733	3	3						•Core plug		
3	VOE20459857	16	16						•Valve sleeve		
4	VOE20535037	8	8						•Washer		

5	VOE20459851	8	8						•Valve spring		
6	VOE20459855	8	8						•Valve seal		
7	VOE20459852	4	4						•Valve seat		
8	VOE20482741	4	4						•Inlet valve		(VOE20791517)
9	VOE20459854	4	4						•Valve seat		
10	VOE20482742	4	4						•Exhaust valve		(VOE20791405)
11	VOE20459838	13	13						Bolt		
12	VOE20459839	2	2						Bushing		
13	VOE20882841	1	1						Cylinder gasket head		1,2 MM
13	VOE20882839	1	1						Cylinder gasket head		1,3 MM
13	VOE20882838	1	1						Cylinder gasket head		1,4 MM
14	VOE20558934	1	1						Valve Cover		
15	VOE20459836	1	1						•Nozzle		
16	VOE20459835	1	1						•Cover		
17	VOE20459830	9	9						Screw		
18	VOE20412589	1	1						Filler cap		(VOE11700341)
19	VOE20459833	1	1						Gasket		ENG - 09/2003
19	VOE20558924	1	1						Gasket		ENG 10/2003 -
20	VOE20924084	1	1						Sensor		
21	VOE13947621	1	1						•Plane gasket		
22	VOE20464451	1	1						Plug		
23	VOE13947628	1	1						Plane gasket		(VOE20450898)
24	VOE20405895	1							Plug		
	VOE20924080		1						Glow plug		(VOE20460459)

Date: 2013/12/29	Image id: 1056524	Catalogue: 20002	Model: BL71
Brand: Volvo	Serial: 10021-16826	Group/Section: 211/110	Title: Cylinder head L PROD 02/2006 -



Volvo Construction
Equipment
1056524

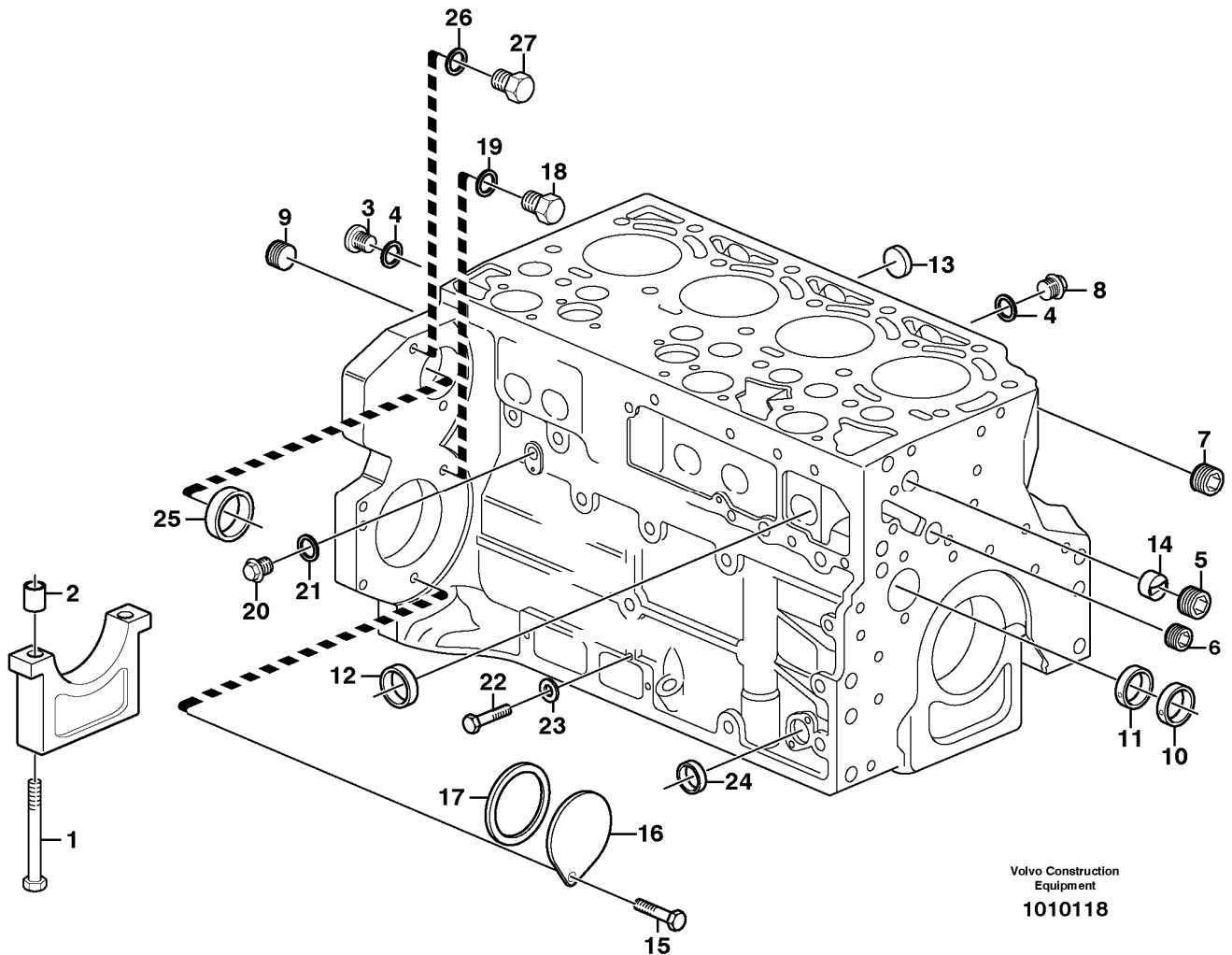
Section option	Kit	Option description
VOE11887322		Engine

Q1-Q5	Option	Option description	
Q1 11887322	VOE11887322	Engine	

Pos	Part	Q1	Q2	Q3	Q4	Q5	PS	Kit	Description	Option(s)	Remark
1	VOE21026496	1							Cylinder head		
2	VOE20412745	3							•Core plug		
3	VOE20840772	8							•Snap Ring		
4	VOE20840807	8							•Thrust Washer		
5	VOE20412733	3							•Core plug		
6	VOE20459857	16							•Valve sleeve		
7	VOE20840747	8							•Spring Disc		
8	VOE20459851	8							•Valve spring		
9	VOE20459855	8							•Valve seal		

10	VOE20459852	4							•Valve seat		
11	VOE21026535	4							•Inlet valve		
12	VOE21026536	4							•Exhaust Valve		
13	VOE20459854	4							•Valve seat		
14	VOE20459838	13							Bolt		
15	VOE20459839	2							Bushing		
16	VOE20882841	1							Cylinder gasket head		1 BORE THICK = 1,2 MM
16	VOE20882839	1							Cylinder gasket head		2 BORES THICK = 1,3 MM
16	VOE20882838	1							Cylinder gasket head		3 BORES THICK = 1,4 MM
17	VOE20558934	1							Valve Cover		
18	VOE20459836	1							•Nozzle		
19	VOE20459835	1							•Cover		
20	VOE20558924	1							Gasket		
21	VOE20459830	9							Screw		
22	VOE20412589	1							Filler cap		
23	VOE20924080	1							Glow plug		
24	VOE20464451	1							Plug		
25	VOE13947628	1							Plane gasket		
26	VOE20924084	1							Sensor		
27	VOE13947621	1							•Plane gasket		

Date: 2013/12/29	Image id: 1010118	Catalogue: 20002	Model: BL71
Brand: Volvo	Serial: 10021-16826	Group/Section: 212/100	Title: Cylinder block 11883246, 11885148, 11887322

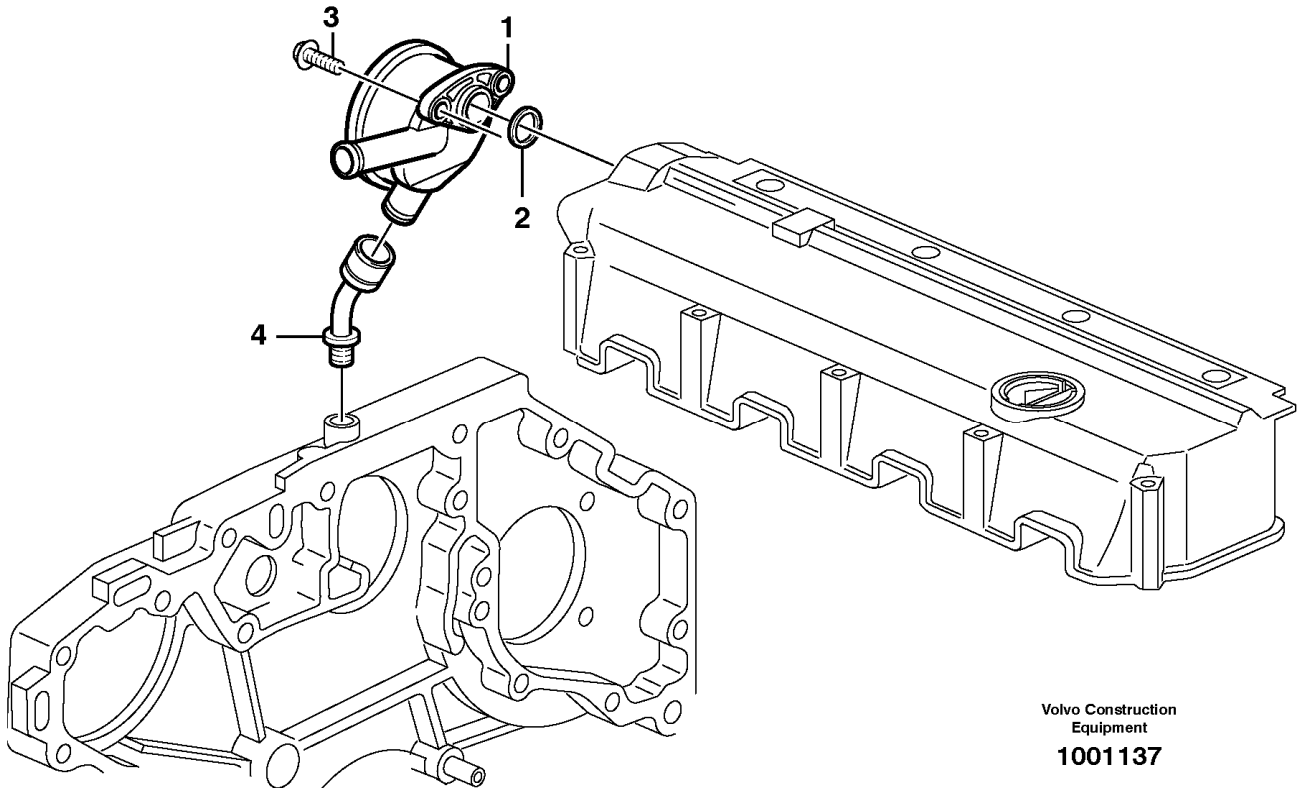


Section option	Kit	Option description
VOE11883246		Engine 70 KW
VOE11885148		Engine
VOE11887322		Engine

Pos	Part	Q1	Q2	Q3	Q4	Q5	PS	Kit	Description	Option(s)	Remark
	VOE24425842	1					SS		Crankcase		ENG - 1064049
	VOE20791246	1							Cylinder Block		ENG 1064050 - 01099408
	VOE21009706	1							Crankcase		ENG 01099409 -
1	VOE20460006	10							•Screw		
2	VOE20460001	10							•Bushing		
3	VOE945065	1							•Plug		(VOE11700279)

4	VOE13969011	3							•Gasket		
5	VOE20405717	1							•Plug		(VOE20508585)
6	VOE20405719	1							•Plug		(VOE20508590)
7	VOE20508600	2							•Plug		
8	VOE20405716	2							•Plug		
9	VOE20785813	1							•Plug		(VOE20508605)ENG - 1070375
9	VOE20785813	1							•Plug		ENG 1070376 -
10	VOE20459999	4							•Camshaft bushing		
11	VOE20459998	1							•Camshaft bushing		
12	VOE20405721	6							•Core plug		
13	VOE20412745	4							•Core plug		
14	VOE20405584	1							•Guide sleeve		
15	VOE888289	2							Hexagon screw		(VOE11709826)
16	VOE20405817	1							Cover		(VOE20459898)
17	VOE20412359	1							Sealing ring		
18	VOE20441859	1							Plug		
19	VOE13947281	1							Gasket		
20	VOE20405716	1							Plug		
21	VOE13947621	1							Plane gasket		
22	VOE20459899	2							Screw		
23	VOE20459900	2							Sealing ring		
24	VOE20412745	1							Core plug		
25	VOE20450778	1							Core plug		
26	VOE13947281	2							Gasket		
27	VOE20441859	2							Plug		(VOE20532680)

Date: 2013/12/29	Image id: 1001137	Catalogue: 20002	Model: BL71
Brand: Volvo	Serial: 10021-16826	Group/Section: 212/150	Title: Crankcase ventilation 11883246, 11885148, 11887322

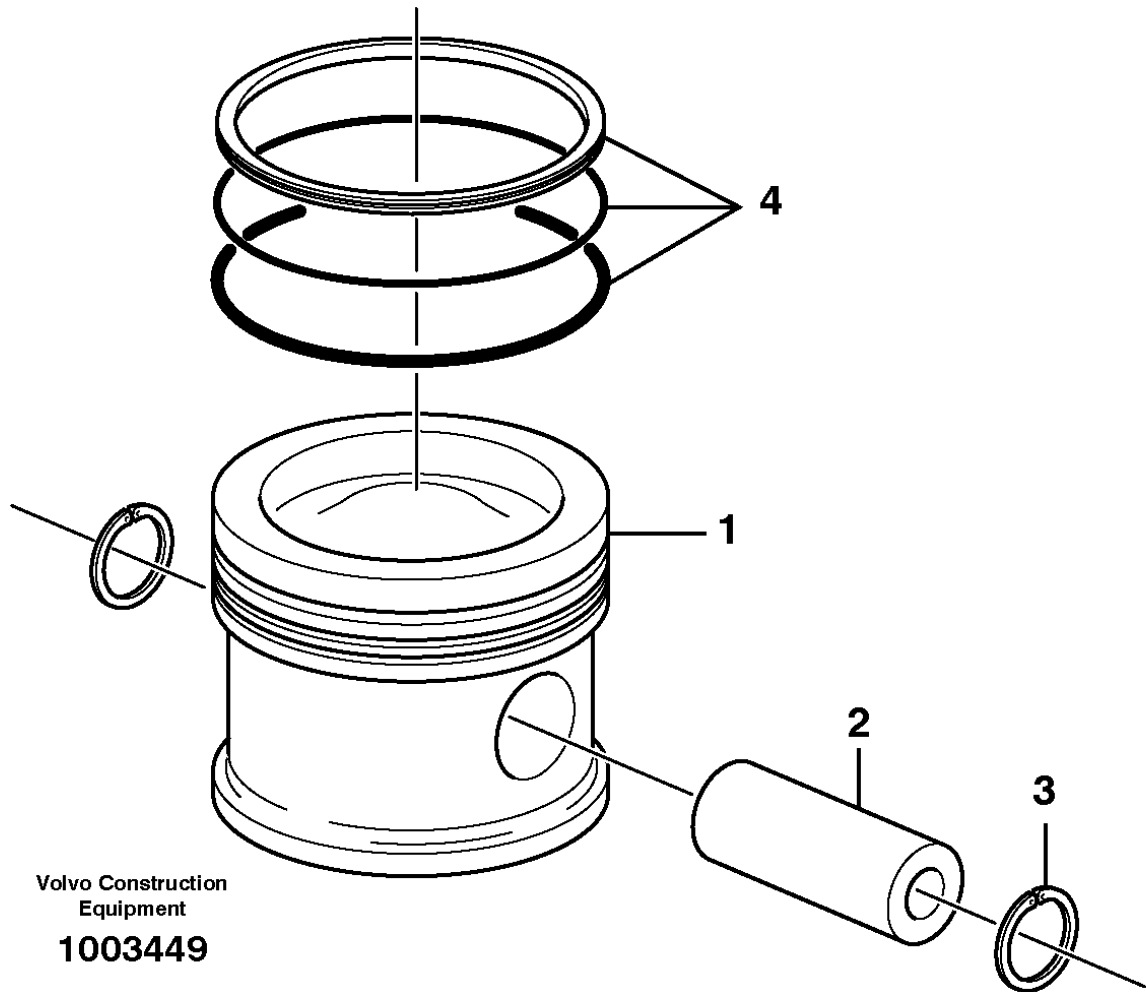


Volvo Construction
Equipment
1001137

Section option	Kit	Option description
VOE11883246		Engine 70 KW
VOE11885148		Engine
VOE11887322		Engine

Pos	Part	Q1	Q2	Q3	Q4	Q5	PS	Kit	Description	Option(s)	Remark
1	VOE20405626	1							Regulator		
2	VOE20405627	1							•Gasket		
3	VOE20450728	2							Bolt		
4	VOE20405938	1							Connector		

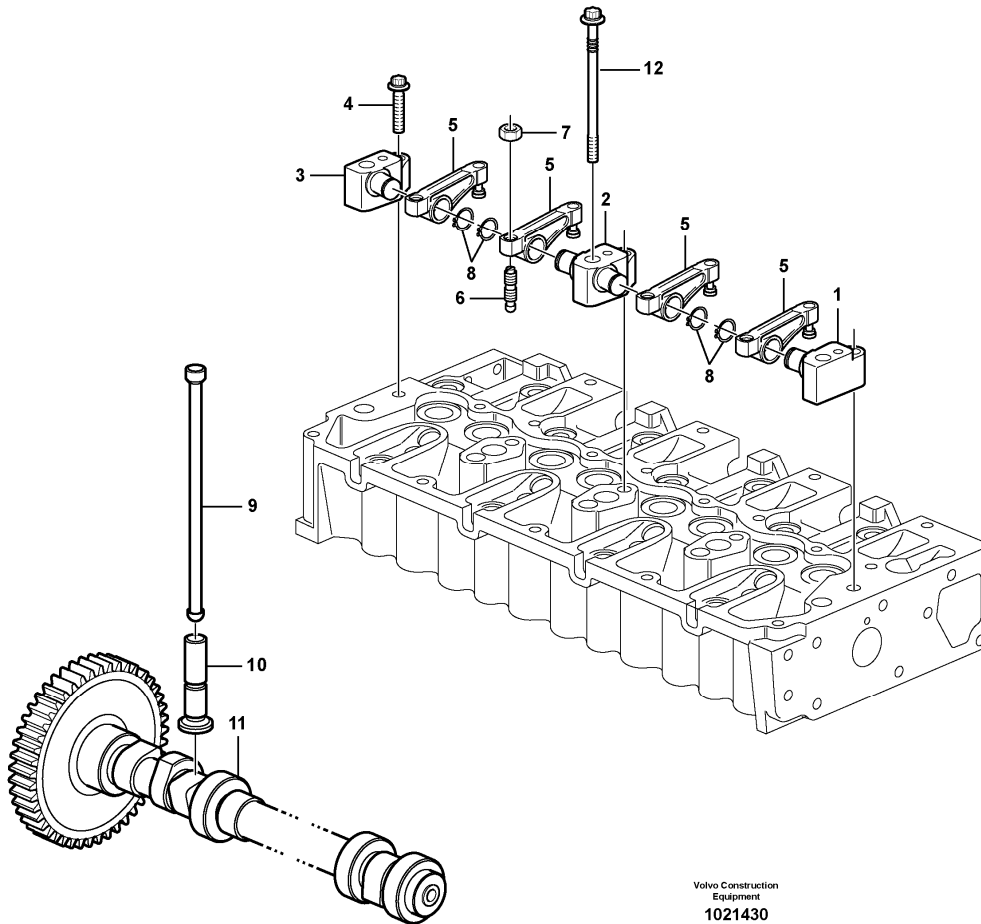
Date: 2013/12/29	Image id: 1003449	Catalogue: 20002	Model: BL71
Brand: Volvo	Serial: 10021-16826	Group/Section: 213/100	Title: Pistons 11883246, 11885148, 11887322



Section option	Kit	Option description
VOE11883246		Engine 70 KW
VOE11885148		Engine
VOE11887322		Engine

Pos	Part	Q1	Q2	Q3	Q4	Q5	PS	Kit	Description	Option(s)	Remark
1	VOE21305007	4							Piston		(VOE20460013)STD = 101,0 MM
1	VOE20839988	REQ							Piston		O SZ = 101,5 MM
2	VOE20460009	4							•Gudgeon pin		
3	VOE21159226	8							•Retaining ring		(VOE20460010)
4	VOE21252233	4							•Piston ring kit		(VOE20482739)STD
4	VOE20840002	REQ							Piston Ring Kit		O SZ

Date: 2013/12/29	Image id: 1021430	Catalogue: 20002	Model: BL71
Brand: Volvo	Serial: 10021-16826	Group/Section: 214/100	Title: Valve mechanism 11883246, 11885148, 11887322

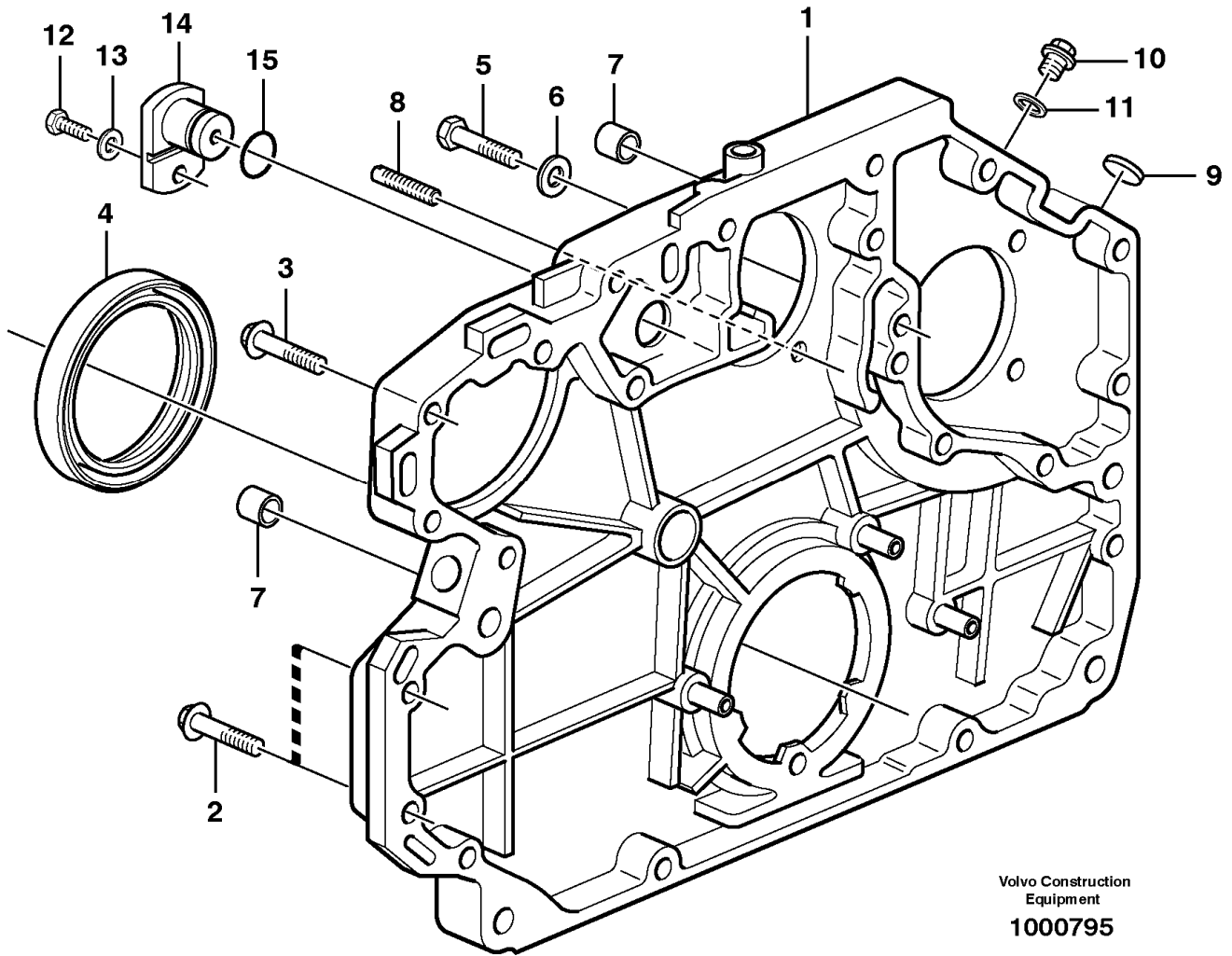


Volvo Construction
Equipment
1021430

Section option	Kit	Option description
VOE11883246		Engine 70 KW
VOE11885148		Engine
VOE11887322		Engine

Pos	Part	Q1	Q2	Q3	Q4	Q5	PS	Kit	Description	Option(s)	Remark
1	VOE20459848	1							Bracket		
2	VOE20459847	3							Bracket		
3	VOE20459849	1							Bracket		
4	VOE20459853	5							Screw		
5	VOE20459850	8							Rocker arm		E PROD - 2006/01
5	VOE21448926	8							Rocker arm		(VOE20792876)L PROD 2006/02 -
6	VOE20405524	8							Screw		
7	VOE11700373	8							Nut		
8	VOE945495	8							Retaining ring		(VOE20549891)

Date: 2013/12/29	Image id: 1000795	Catalogue: 20002	Model: BL71
Brand: Volvo	Serial: 10021-16826	Group/Section: 215/100	Title: Timing gear casing and gears 11883246, 11885148, 11887322



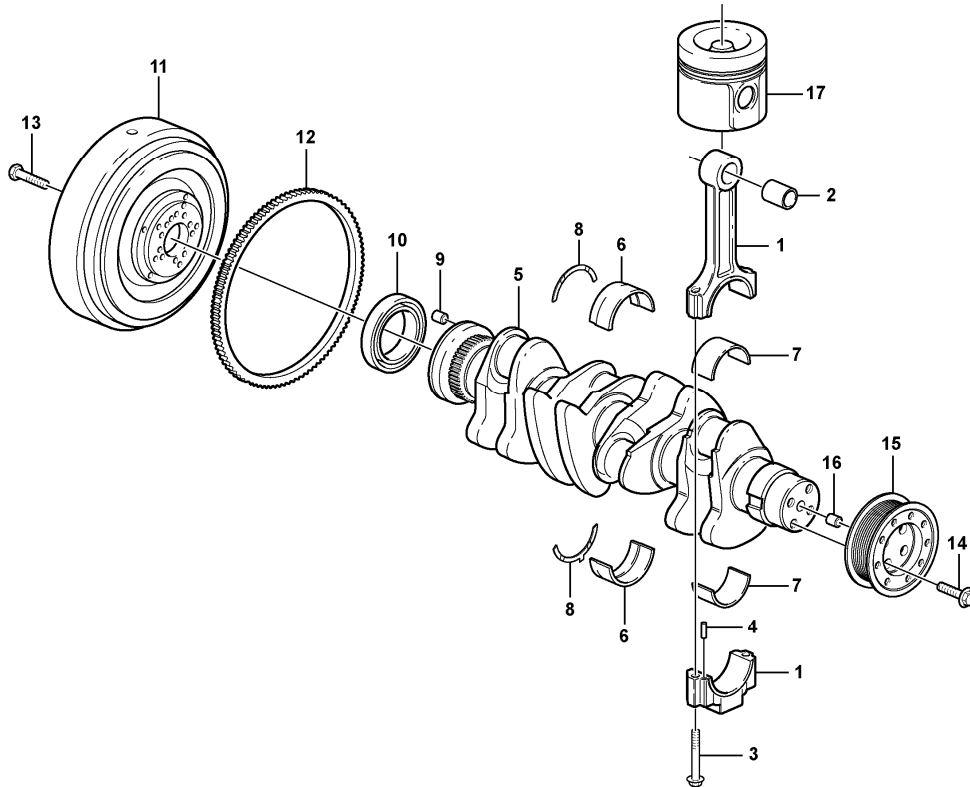
Volvo Construction
Equipment
1000795

Section option	Kit	Option description
VOE11883246		Engine 70 KW
VOE11885148		Engine
VOE11887322		Engine

Pos	Part	Q1	Q2	Q3	Q4	Q5	PS	Kit	Description	Option(s)	Remark
1	VOE20555502	1							Tmg Gear Cover		ENG - 00629848
	VOE21026959	1							Timing gear cover		(VOE20592820)ENG 00629849 -
2	VOE20412324	12							Screw		
3	VOE20450801	4							Screw		
4	VOE20459115	1							Crankshaft seal		

5	VOE20405653	2					SS		Screw		
6	VOE13955900	2							Washer		(VOE20539564)
7	VOE20585971	2							Bushing		
8	VOE20450795	1							Set screw		
9	VOE20405605	1							Cover		
10	VOE20451012	1							Screw		
11	VOE13947621	1							Plane gasket		
12	VOE20459977	1					SS		Screw		
13	VOE973494	1							Washer		(VOE20459183)
14	VOE20405553	1							Cover		
15	VOE20459904	1							Sealing ring		

Date: 2013/12/29	Image id: 1028084	Catalogue: 20002	Model: BL71
Brand: Volvo	Serial: 10021-16826	Group/Section: 216/100	Title: Crankshaft and related parts 11883246, 11885148, 11887322



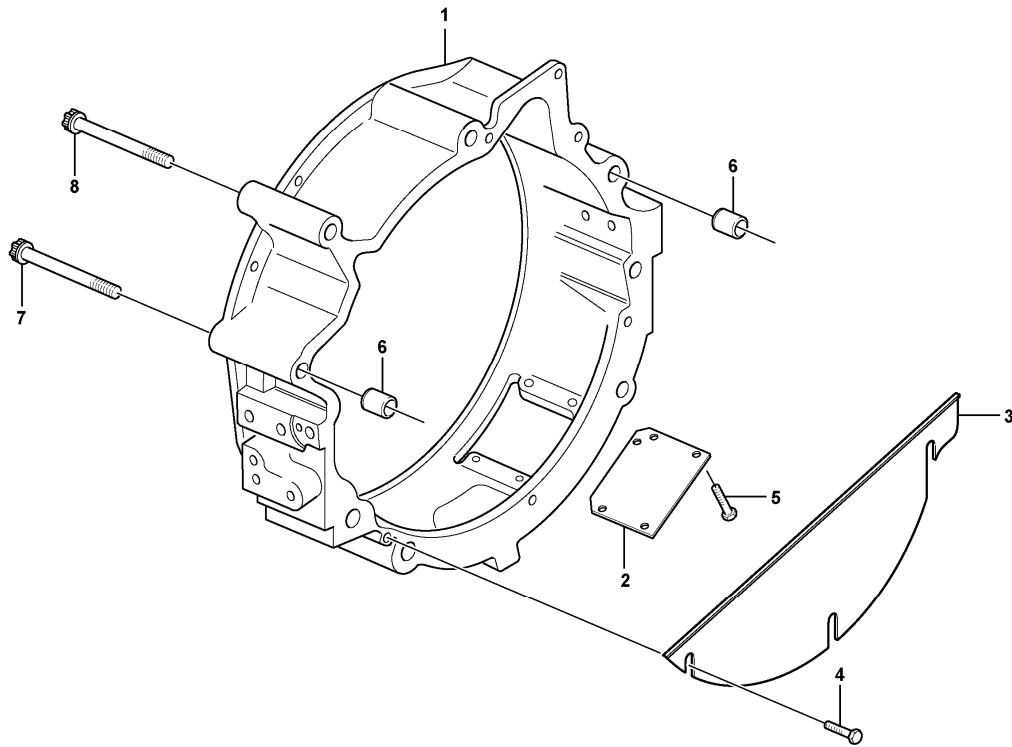
Volvo Construction
Equipment
1028084

Section option	Kit	Option description
VOE11883246		Engine 70 KW
VOE11885148		Engine
VOE11887322		Engine

Pos	Part	Q1	Q2	Q3	Q4	Q5	PS	Kit	Description	Option(s)	Remark
1	VOE20882905	4							Connecting Rod		
2	VOE20523284	4							•Bushing		
3	VOE20459133	8							•Bolt		
4	VOE20459134	8							•Pin		
5	VOE20729184	1					SS		Crankshaft		ENG - 1026595
	VOE20891184	1							Crankshaft		ENG 1026596 -
6	VOE20459140	5							Main bearing		STD 84,00 MM
	VOE20459139	5							Main Bearing		U SZ 83,75 MM
7	VOE20555403	4							Bearing		ENG - 695616 STD

										63,00 MM
	VOE20459147	4							Bearing	ENG - 695616 U SZ 62,75 MM
	VOE20480536	4							Bearing	ENG 695617 - STD 63,00 MM
	VOE20522433	4							Bearing	ENG 695617 - U SZ 62,75 MM
8	VOE20459149	1							Thrust washer	STD WID 14 MM THICK 2,0 MM
	VOE20459148	1							Thrust Washer	WID 14 MM THICK 2,2 MM
	VOE20459143	1							Washer	STD WID 10 MM THICK 2,0 MM
	VOE20459142	1							Thrust Washer	WID 10 MM THICK 2,2 MM
9	VOE20459144	1							Insert	
10	VOE20459115	1							Crankshaft seal	
11	VOE20459124	1							Flywheel	
12	VOE21033328	1							•Gear Ring	
13	VOE20405654	10							Bolt	
14	VOE24426216	1							Pulley	
15	VOE20405724	4							Screw	
16	VOE20405634	1							Spring pin	
17		1							Piston	See ref 213/100

Date: 2013/12/29	Image id: 1027113	Catalogue: 20002	Model: BL71
Brand: Volvo	Serial: 10021-16826	Group/Section: 216/150	Title: Flywheel housing 11883246, 11885148, 11887322

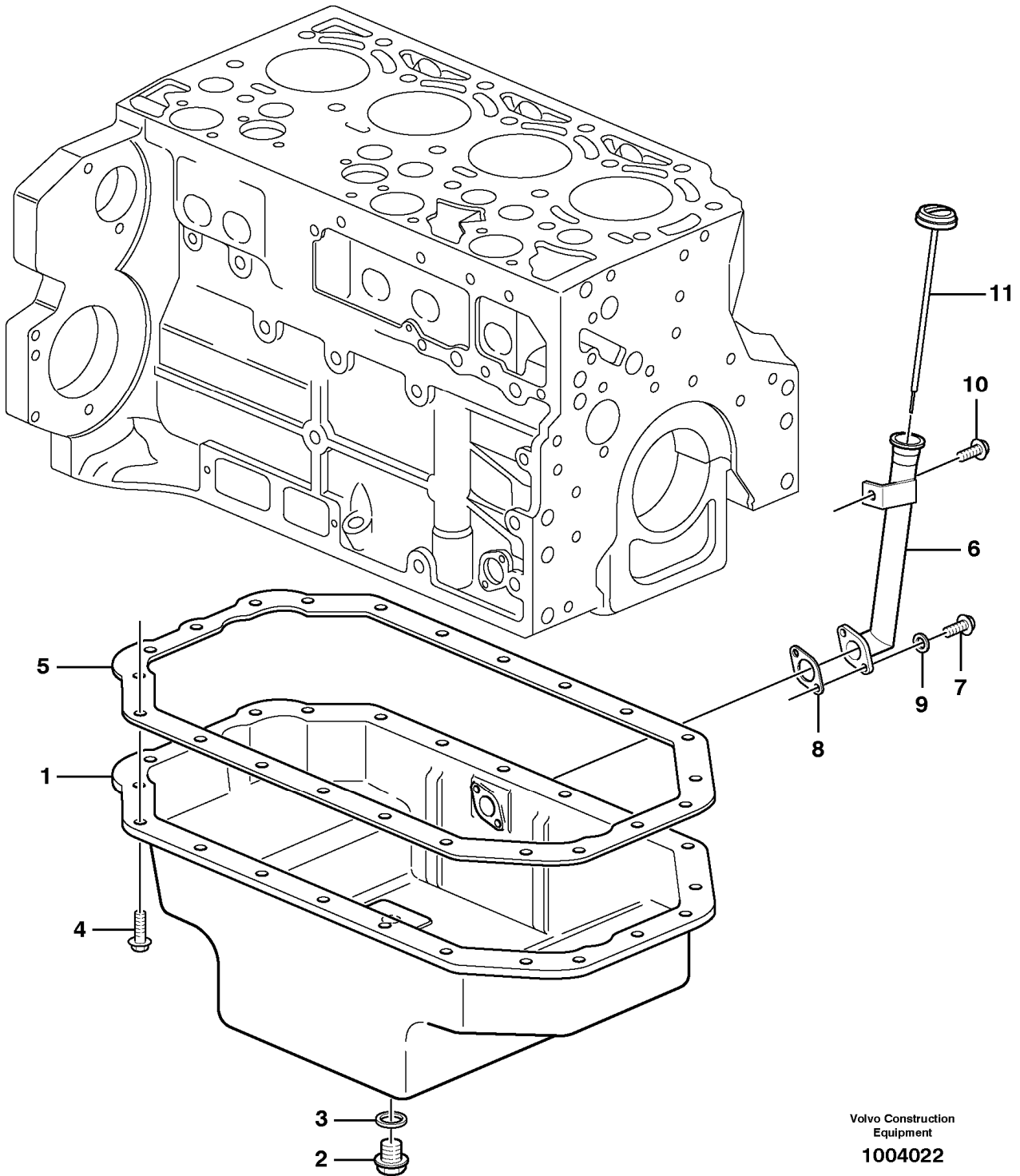


Volvo Construction
Equipment
1027113

Section option	Kit	Option description
VOE11883246		Engine 70 KW
VOE11885148		Engine
VOE11887322		Engine

Pos	Part	Q1	Q2	Q3	Q4	Q5	PS	Kit	Description	Option(s)	Remark
1	VOE21018780	1							Flywheel Hsg		(VOE20550335)ENG - 01099408
1	VOE21018780	1							Flywheel Hsg		(VOE21044436)ENG 01099409 -
2	VOE20547288	1							•Cover Plate		
3	VOE20459989	1							•Cover		
4	VOE20405729	3							•Screw		
5	VOE20405729	4							•Screw		
6	VOE20585971	2							Bushing		
7	VOE20459996	2							Screw		

Date: 2013/12/29	Image id: 1004022	Catalogue: 20002	Model: BL71
Brand: Volvo	Serial: 10021-16826	Group/Section: 217/100	Title: Oil sump 11883246, 11885148, 11887322



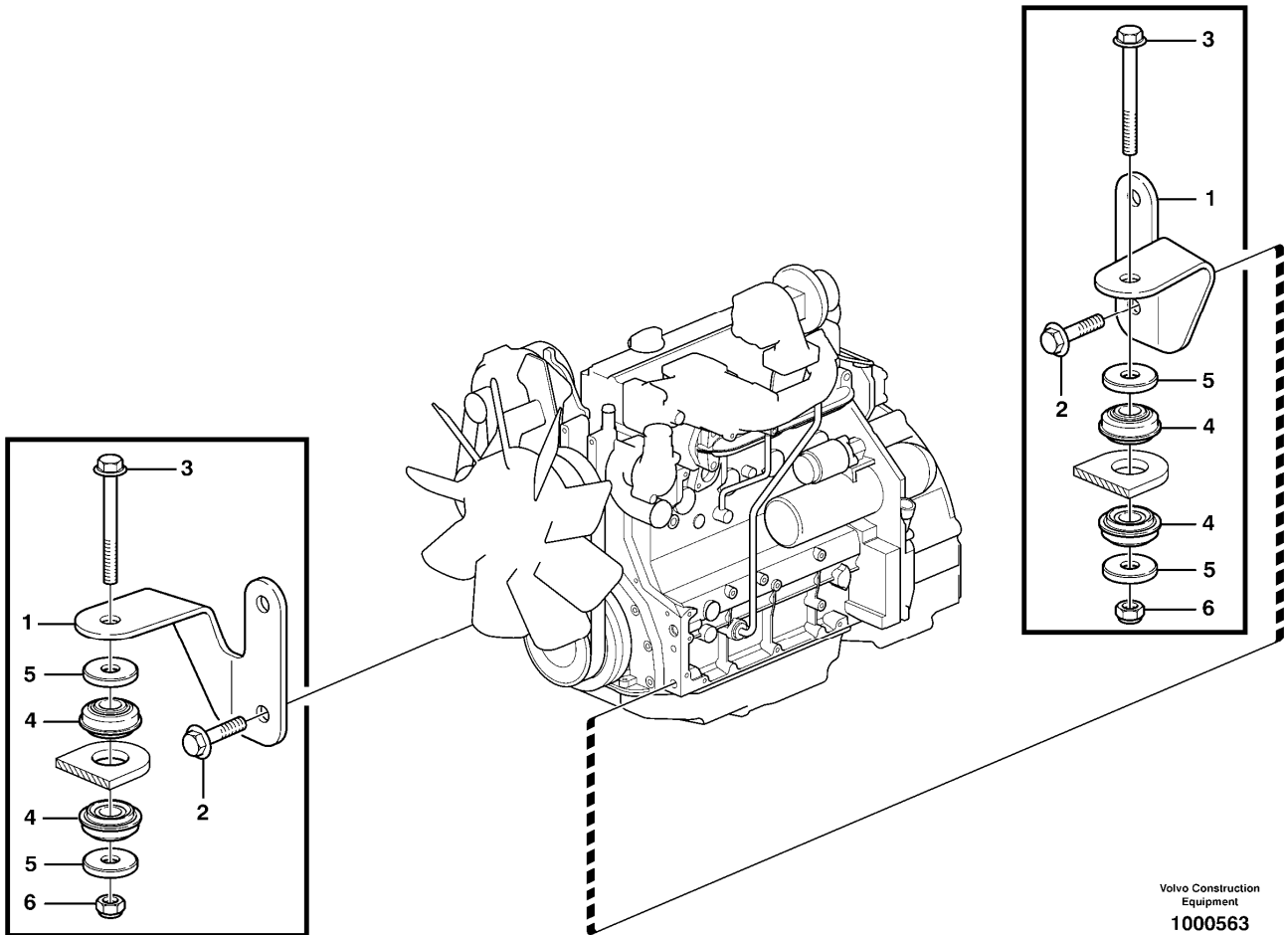
Volvo Construction
Equipment
1004022

Section option	Kit	Option description
VOE11883246		Engine 70 KW

VOE11885148		Engine
VOE11887322		Engine

Pos	Part	Q1	Q2	Q3	Q4	Q5	PS	Kit	Description	Option(s)	Remark
1	VOE20482006	1							Oil pan		
2	VOE20405506	1							Plug		
3	VOE20542740	1					SS		Sealing ring		
4	VOE20405792	22							Screw		
5	VOE20460021	1							Gasket		
6	VOE20482010	1							Filler neck		
7	VOE13949578	2							Screw		
8	VOE20405825	1							Gasket		
9	VOE20482349	2							Sealing ring		(VOE20482736)
10	VOE20405792	1							Screw		
11	VOE20482027	1							Filler cap		

Date: 2013/12/29	Image id: 1000563	Catalogue: 20002	Model: BL71
Brand: Volvo	Serial: 10021-16826	Group/Section: 218/100	Title: Engine mounting 11883246, 11885148, 11887322

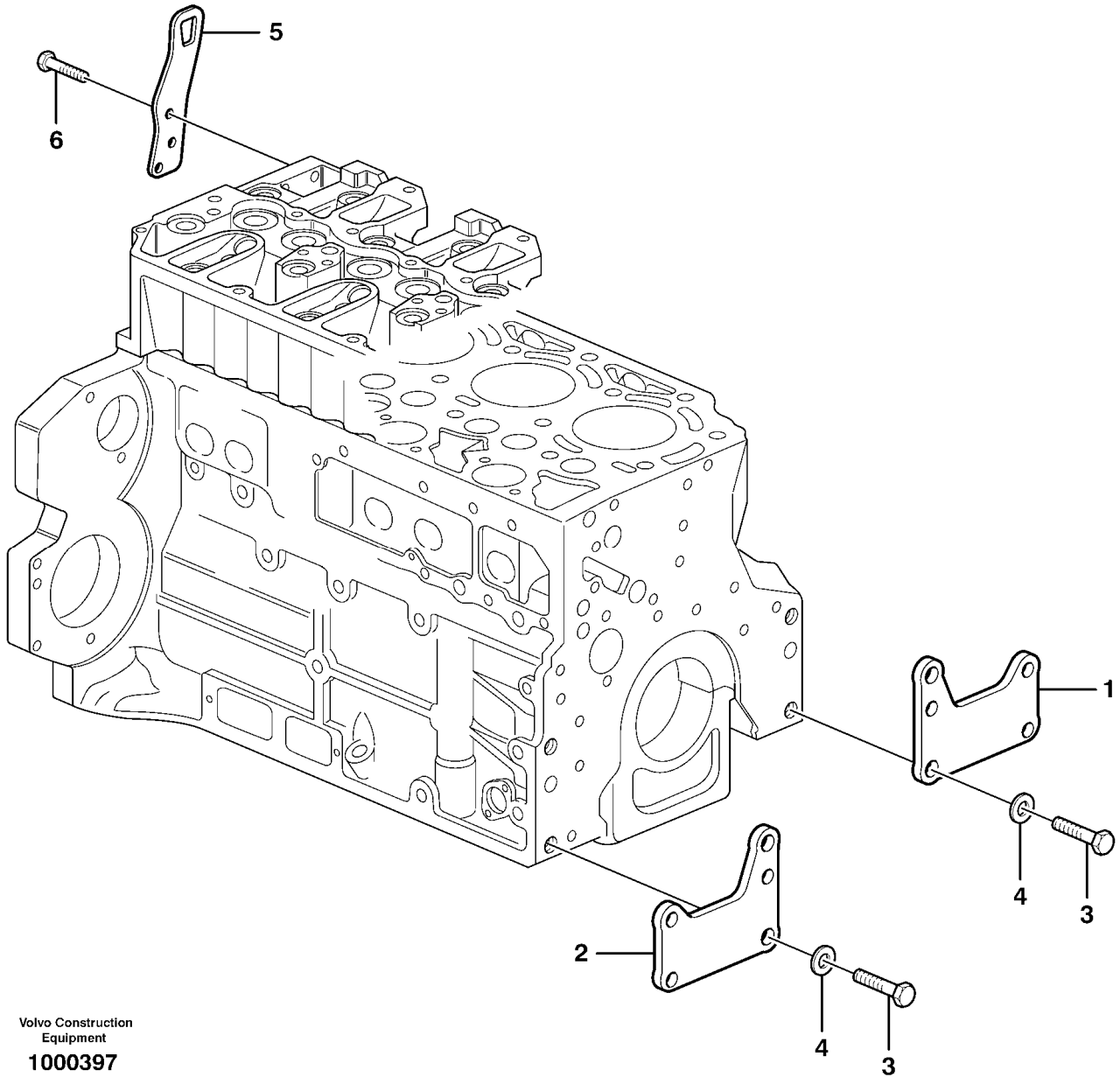


Volvo Construction
Equipment
1000563

Section option	Kit	Option description
VOE11883246		Engine 70 KW
VOE11885148		Engine
VOE11887322		Engine

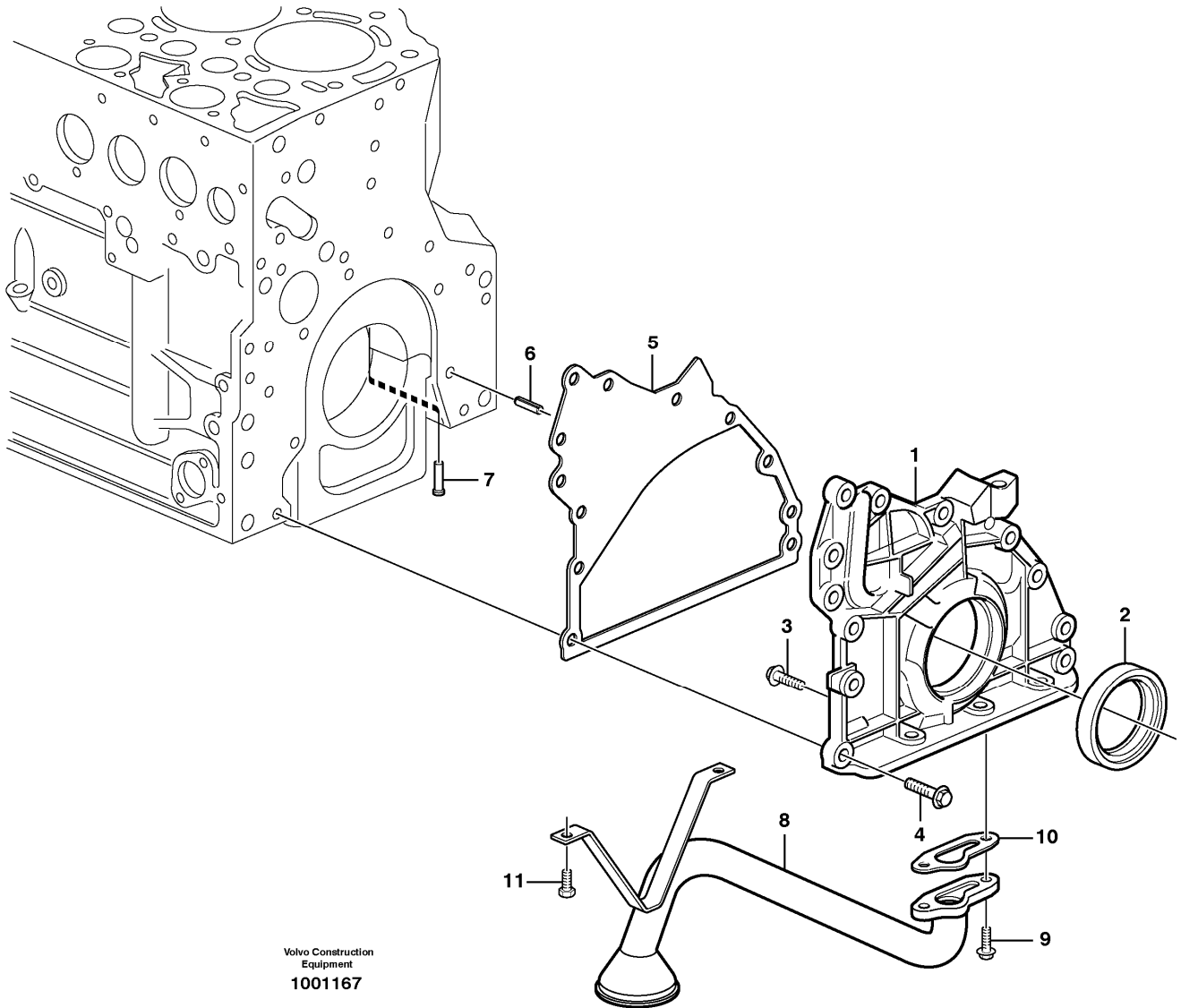
Pos	Part	Q1	Q2	Q3	Q4	Q5	PS	Kit	Description	Option(s)	Remark
1	VOE11884716	1							Engine anchorage		LH
	VOE11884719	1							Engine anchorage		RH
2	VOE982377	4							Flange screw		
3	VOE968298	2							Flange screw		
4	VOE11884790	4							Vibration damper		(VOE11881758)
5	VOE11881841	4							Washer		
6	VOE13963110	2							Lock nut		

Date: 2013/12/29	Image id: 1000397	Catalogue: 20002	Model: BL71
Brand: Volvo	Serial: 10021-16826	Group/Section: 218/200	Title: Engine mounting



Pos	Part	Q1	Q2	Q3	Q4	Q5	PS	Kit	Description	Option(s)	Remark
1	VOE20723978	1							Bracket		
2	VOE20723984	1							Bracket		
3	VOE20535027	2							Screw		
4	VOE20405606	2							Washer		
5	VOE20450854	1					OP		Lifting eye		
6	VOE20450756	3							Screw		

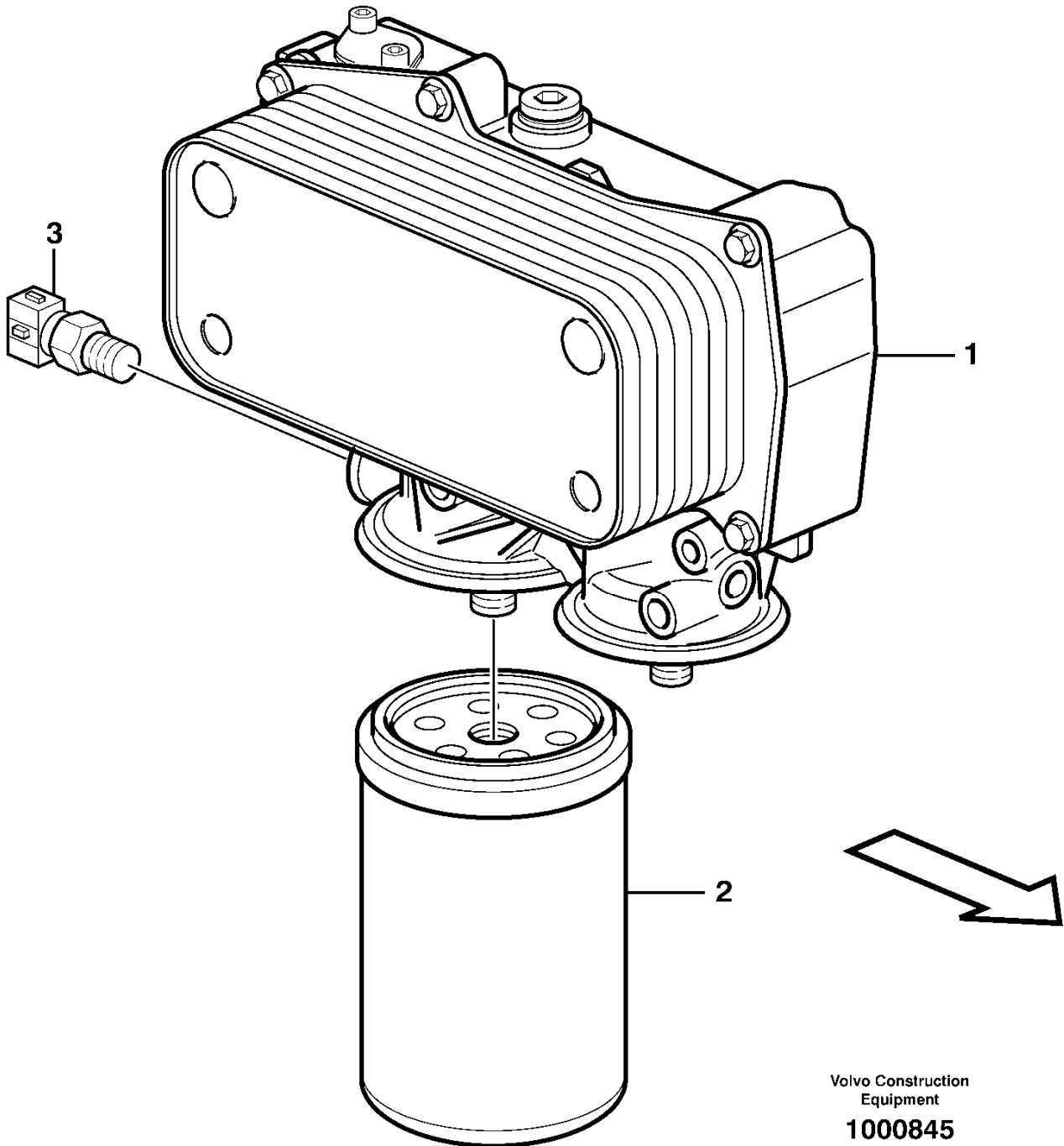
Date: 2013/12/29	Image id: 1001167	Catalogue: 20002	Model: BL71
Brand: Volvo	Serial: 10021-16826	Group/Section: 221/100	Title: Lubricating oil system 11883246, 11885148, 11887322



Section option	Kit	Option description
VOE11883246		Engine 70 KW
VOE11885148		Engine
VOE11887322		Engine

Pos	Part	Q1	Q2	Q3	Q4	Q5	PS	Kit	Description	Option(s)	Remark
1	VOE20726088	1							Lub Oil Pump		(VOE20581867)
2	VOE20459168	1							•Crankshaft seal		
3	VOE20451738	8							•Screw		
4	VOE20412324	10							Screw		
5	VOE20537029	1							Gasket		

Date: 2013/12/29	Image id: 1000845	Catalogue: 20002	Model: BL71
Brand: Volvo	Serial: 10021-16826	Group/Section: 222/100	Title: Oil filter 11883246, 11885148, 11887322

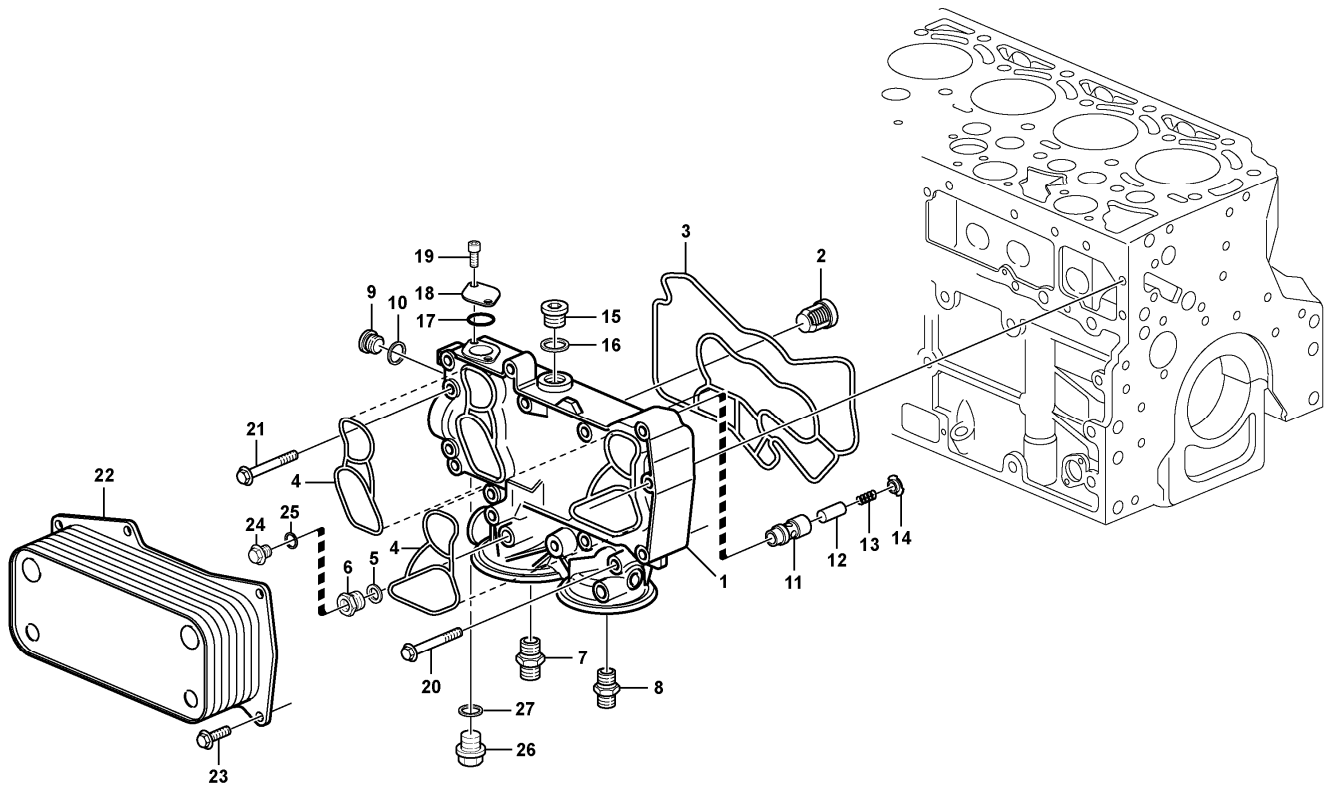


Volvo Construction
Equipment
1000845

Section option	Kit	Option description
VOE11883246		Engine 70 KW
VOE11885148		Engine
VOE11887322		Engine

Pos	Part	Q1	Q2	Q3	Q4	Q5	PS	Kit	Description	Option(s)	Remark
1		1							Oil Cooler		See ref 223/100
2	VOE11700375	1							Oil filter		
3	VOE20555385	1							Sensor		

Date: 2013/12/29	Image id: 1054250	Catalogue: 20002	Model: BL71
Brand: Volvo	Serial: 10021-16826	Group/Section: 223/100	Title: Oil cooler 11883246, 11885148, 11887322



Volvo Construction
Equipment
1054250

Section option	Kit	Option description
VOE11883246		Engine 70 KW
VOE11885148		Engine
VOE11887322		Engine

Pos	Part	Q1	Q2	Q3	Q4	Q5	PS	Kit	Description	Option(s)	Remark
1	VOE21240959	1							Oil cooler		
2	VOE20459204	1							•Valve		
3	VOE20459203	1							•Gasket		
4	VOE20459202	2							•Gasket		
5	VOE13969011	1							•Gasket		
6	VOE21100412	1							•Screw		
7	VOE20459201	1							•Nipple		
8	VOE20459200	1							•Nipple		(VOE20549894)
9	VOE20502245	1							•Screw plug		
10	VOE13947622	1							•Plane gasket		

11	VOE21100405	1							•Valve seat		
12	VOE20862028	1							•Control plunger		
13	VOE21100407	1							•Spring		
14	VOE21100410	1							•Sleeve		
15	VOE20459195	1							•Plug		
16	VOE13947628	1							•Plane gasket		
17	VOE20405599	1							•Sealing ring		
18	VOE21072778	1							•Flange		
19	VOE20405885	2							•Screw		
20	VOE20405917	3							•Screw		
21	VOE20405672	5							•Screw		
22	VOE20532396	1							Oil Cooler		
23	VOE20405885	7							Screw		
24	VOE20450895	1							Plug		
24	VOE21011809	1							Plug		INCL. SEALING RING
25	VOE13947281	1							Gasket		
26	VOE888474	1							Plug		
27	VOE20450890	1							Sealing ring		

Thank you so much for reading.
Please click the “Buy Now!”
button below to download the
complete manual.



After you pay.

You can download the most
perfect and complete manual in
the world immediately.

Our support email:

ebooklibonline@outlook.com