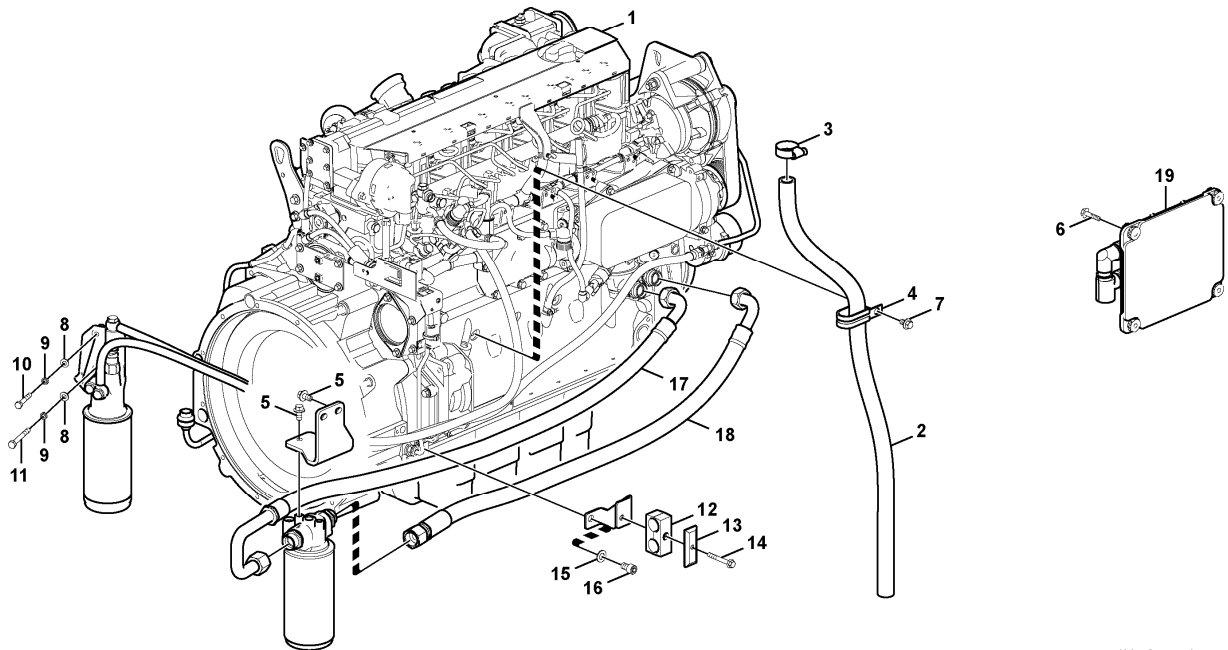


Date: <b>2013/10/11</b>	Image id: <b>1022171</b>	Catalogue: <b>20095</b>	Model: <b>EC160C L</b>
Brand: <b>Volvo</b>	Serial: <b>120001-, 140001-</b>	Group/Section: <b>210/100</b>	Title: <b>Engine</b>



Volvo Construction  
Equipment  
1022171

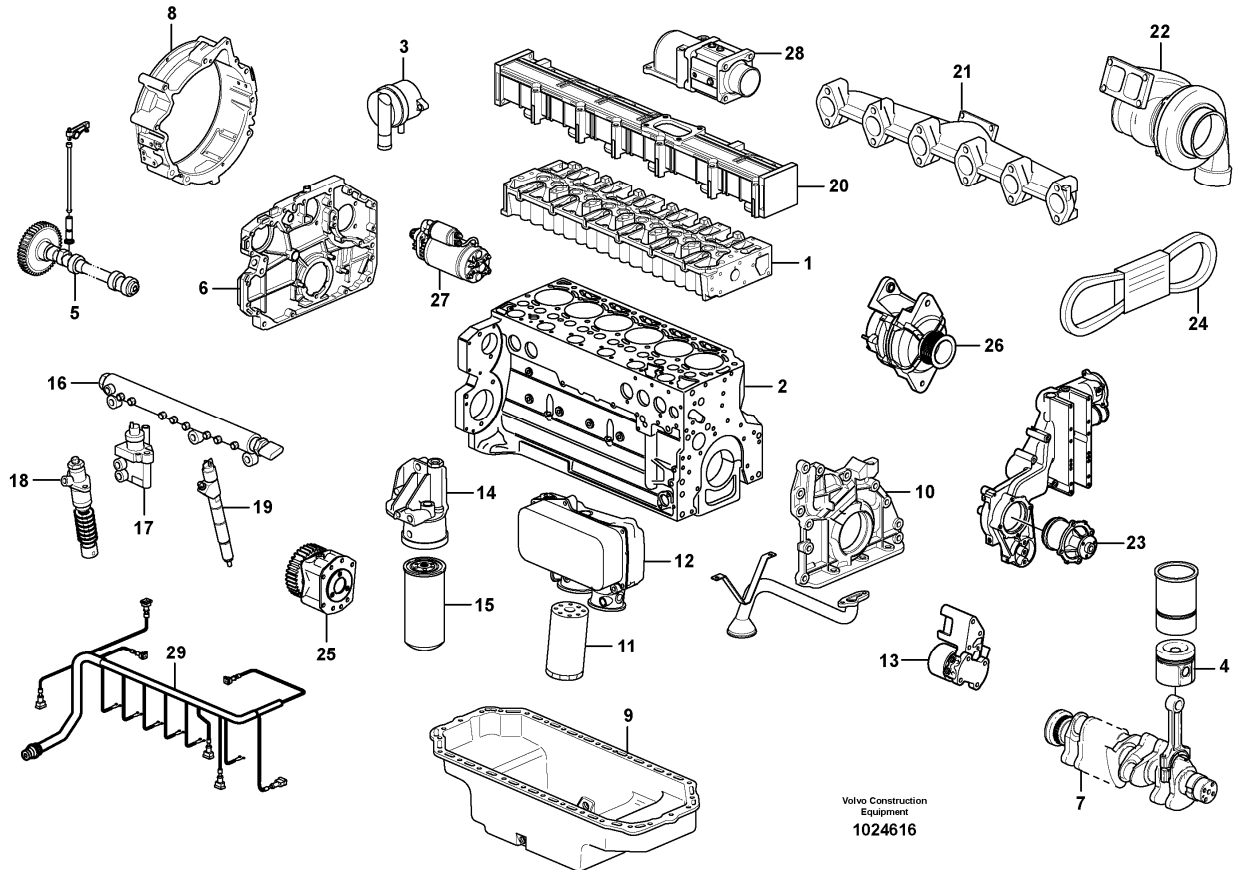
Section option	Kit	Option description
VOE8280348		Engine with Epa label EMISSION CERTIFICATED FROM EU&EPA

Q1-Q5	Option	Option description	
Q1 8280348	VOE8280348	Engine with Epa label EMISSION CERTIFICATED FROM EU&EPA	

Pos	Part	Q1	Q2	Q3	Q4	Q5	PS	Kit	Description	Option(s)	Remark
1	VOE14533108	1							Engine		
2	VOE14880502	1							Hose		
3	VOE943474	1							Hose clamp		
4	VOE14507451	1							Clip		
5	VOE946441	4							Flange screw		
6	VOE947760	4							Flange screw		
7	VOE946471	1							Flange screw		
8	SA9211-08000	3							Washer		
9	VOE955921	3							Spring washer		



Date: <b>2013/10/11</b>	Image id: <b>1024616</b>	Catalogue: <b>20095</b>	Model: <b>EC160C L</b>
Brand: <b>Volvo</b>	Serial: <b>120001-, 140001-</b>	Group/Section: <b>210/200</b>	Title: <b>Engine</b>



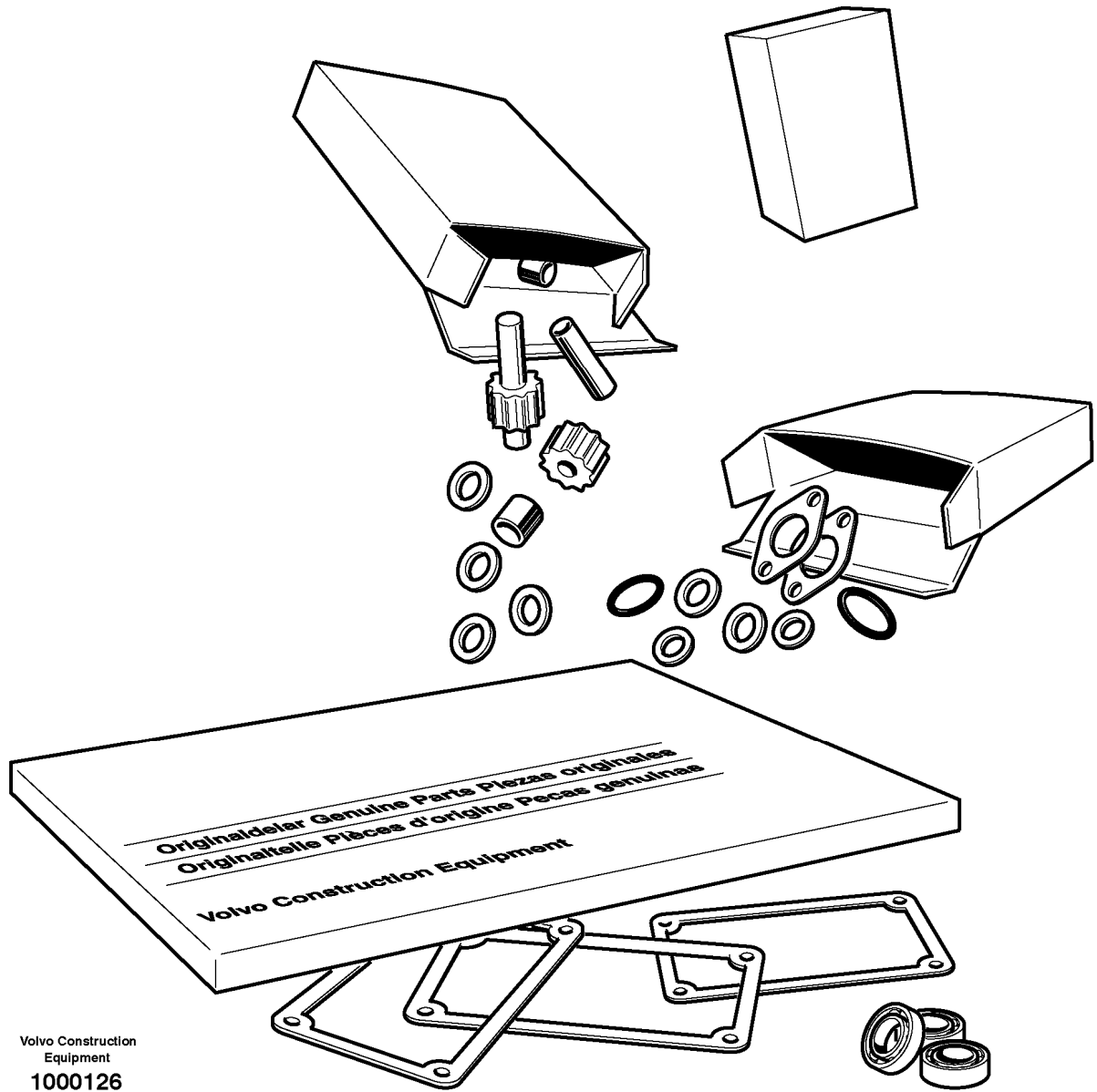
Section option	Kit	Option description
VOE8280348		Engine with Epa label EMISSION CERTIFICATED FROM EU&EPA

Q1-Q5	Option	Option description	
Q1 8280348	VOE8280348	Engine with Epa label EMISSION CERTIFICATED FROM EU&EPA	

Pos	Part	Q1	Q2	Q3	Q4	Q5	PS	Kit	Description	Option(s)	Remark
	VOE14533108	1							Engine		D6E EBE3
1		1							•Cylinder head		See ref 211/100
2		1							•Cylinder block		See ref 212/100
3		1							•Crankcase ventilation		See ref 212/300
4		6							•Piston		See ref 213/100
5		1							•Valve mechanism		See ref 214/100
6		1							•Timing gear casing		See ref 215/100
7		1							•Crankshaft		See ref 216/100

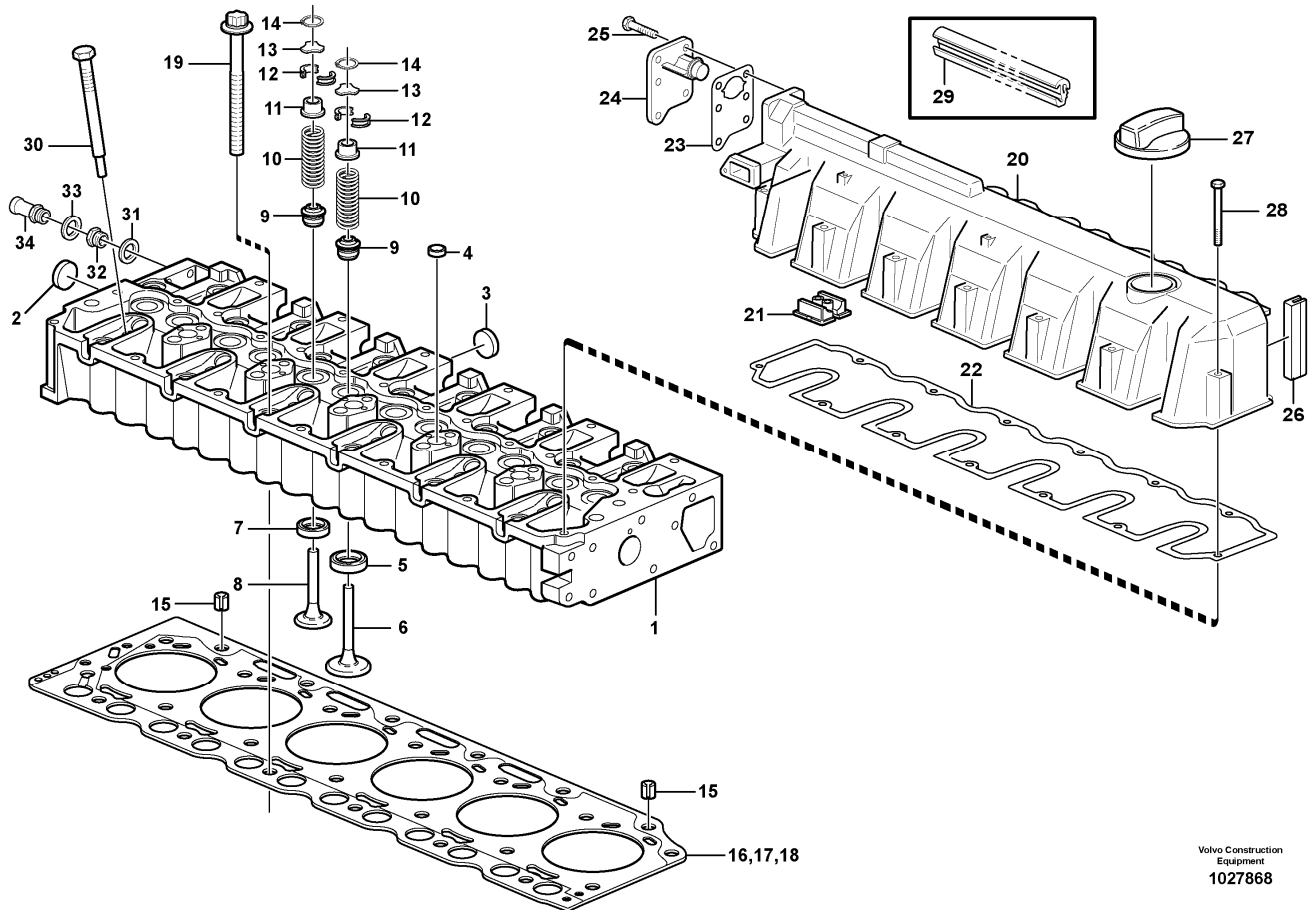
8		1							•Flywheel Hsg		See ref 216/200
9		1							•Oil sump		See ref 217/100
10		1							•Lubricating system		See ref 221/100
11		1							•Oil filter		See ref 222/100
12		1							•Oil cooler		See ref 223/100
13		1							•Fuel pump		See ref 233/100
14		1							•Fuel Filter Housing		See ref 233/300
15		1							•Fuel Filter		See ref 233/300
16		1							•Rail		See ref 237/100
17		1							•Regulator		See ref 237/100
18		2							•Injection pump		See ref 237/100
19		6							•Injector		See ref 237/100
20		1							•Inlet Manifold		See ref 251/100
21		1							•Exhaust pipe		See ref 251/100
22		1							•Turbocharger		See ref 255/100
23		1							•Coolant Pump		See ref 262/100
24		1							•Belt Xmsn		See ref 263/100
25		1							•Pump drive		See ref 263/500
26		1							•Alternator		See ref 321/100
27		1							•Starter motor		See ref 331/100
28		1							•Pre-heater		See ref 333/100
29		1							•Cable harness		See ref 371/300

Date: <b>2013/10/11</b>	Image id: <b>1000126</b>	Catalogue: <b>20095</b>	Model: <b>EC160C L</b>
Brand: <b>Volvo</b>	Serial: <b>120001-, 140001-</b>	Group/Section: <b>210/300</b>	Title: <b>Repair kits for engine</b>



Pos	Part	Q1	Q2	Q3	Q4	Q5	PS	Kit	Description	Option(s)	Remark
1	VOE15011856	1							Overhaul kit		
2	VOE15011854	1							•Cylinder head kit		
3	VOE20890422	6							•Cyl Liner Kit		

Date: <b>2013/10/11</b>	Image id: <b>1027868</b>	Catalogue: <b>20095</b>	Model: <b>EC160C L</b>
Brand: <b>Volvo</b>	Serial: <b>120001-, 140001-</b>	Group/Section: <b>211/100</b>	Title: <b>Cylinder head</b>



Volvo Construction  
Equipment  
1027868

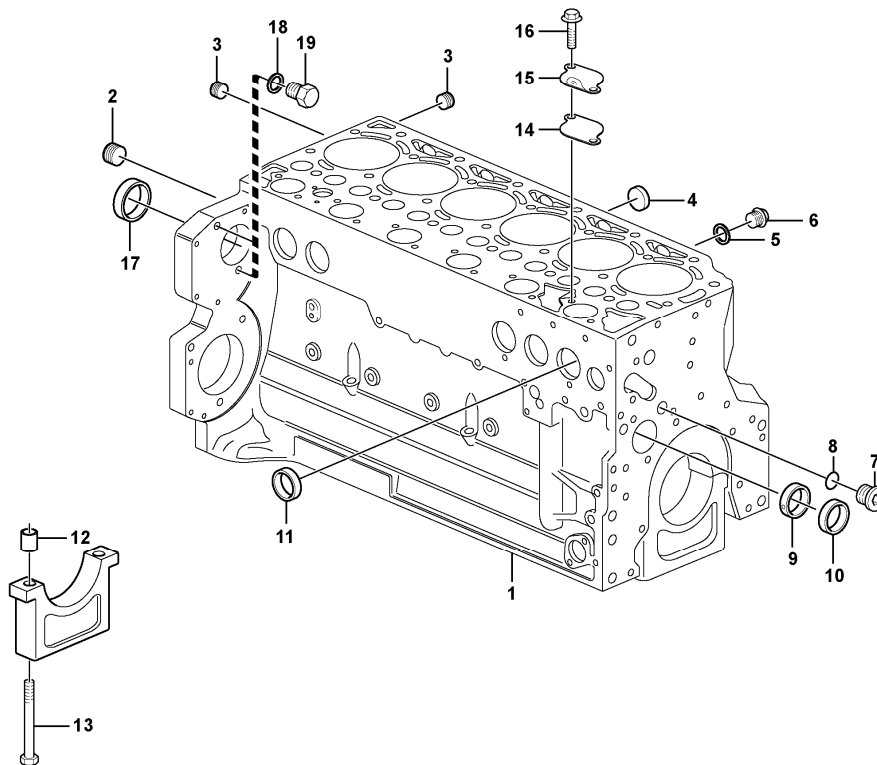
Section option	Kit	Option description
VOE8280348		Engine with Epa label EMISSION CERTIFICATED FROM EU&EPA

Q1-Q5	Option	Option description	
Q1 8280348	VOE8280348	Engine with Epa label EMISSION CERTIFICATED FROM EU&EPA	

Pos	Part	Q1	Q2	Q3	Q4	Q5	PS	Kit	Description	Option(s)	Remark
1	VOE20855301	1							Cylinder head		
2	VOE20914266	1							•Core Plug		
3	VOE20412745	5							•Core plug		
4	VOE20412733	5							•Core plug		
5	VOE20849976	6							•Valve seat		
6	VOE20798699	6							•Inlet valve		
7	VOE20849979	6							•Valve seat		
8	VOE20798533	6							•Exhaust Valve		
9	VOE20459855	12							•Valve seal		

10	VOE20459851	12							•Valve spring		
11	VOE20840747	12							•Spring Disc		
12	VOE20459857	24							•Valve sleeve		
13	VOE20840807	12							•Thrust Washer		
14	VOE20840772	12							•Snap Ring		
15	VOE20459839	2							Bushing		
16	VOE20798183	1							Cyl Head Gasket		THICK = 1,27 MM 1 BORE
17	VOE20798186	1							Cyl Head Gasket		THICK = 1,37 MM 2 BORES
18	VOE20798191	1							Cyl Head Gasket		THICK = 1,47 MM 3 BORES
19	VOE20459838	19							Bolt		
20	VOE21037969	1							Valve Cover		
21	VOE20412590	1							•Cap		
22	VOE20841035	1							•Gasket		
23	VOE20840801	1							•Gasket		
24	VOE20933359	1							•Oil Separator		
25	VOE20797542	6							•Screw		
26	VOE20859647	2							•Seal		
27	VOE20412589	1							Filler cap		
28	VOE21145471	13							Flange screw		(VOE21037380)
29	VOE20933362	1							Seal		
30	VOE20405895	1							Plug		
31	VOE13969011	1							Gasket		(VOE20459972)
32	VOE20516927	1							Sealing ring		
33	VOE13947281	1							Gasket		
34	VOE20483764	1							Nipple		

Date: <b>2013/10/11</b>	Image id: <b>1056312</b>	Catalogue: <b>20095</b>	Model: <b>EC160C L</b>
Brand: <b>Volvo</b>	Serial: <b>120001-, 140001-</b>	Group/Section: <b>212/100</b>	Title: <b>Cylinder block</b>



Volvo Construction  
Equipment  
1056312

Section option	Kit	Option description
VOE8280348		Engine with Epa label EMISSION CERTIFICATED FROM EU&EPA

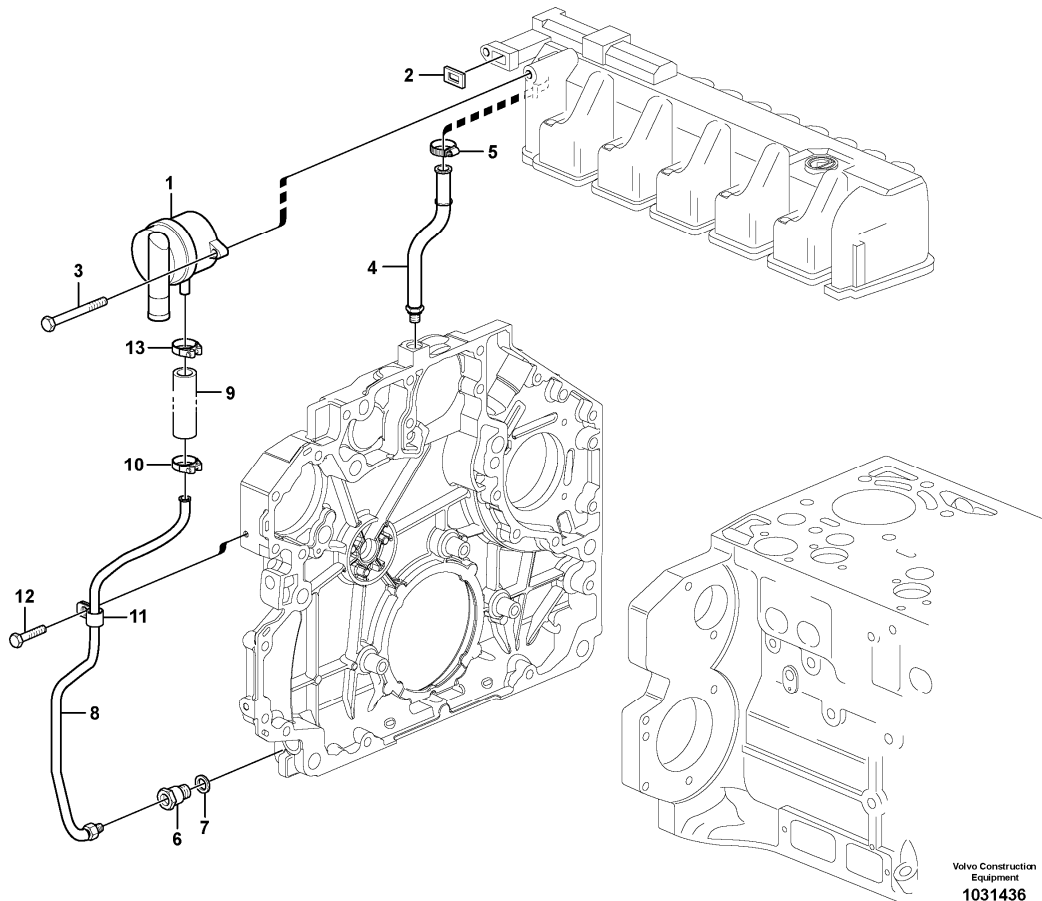
Q1-Q5	Option	Option description	
Q1 8280348	VOE8280348	Engine with Epa label EMISSION CERTIFICATED FROM EU&EPA	

Pos	Part	Q1	Q2	Q3	Q4	Q5	PS	Kit	Description	Option(s)	Remark
1	VOE21077566	1							Crankcase		
2	VOE20785813	1							•Plug		
3	VOE20508600	2							•Plug		
4	VOE20412745	5							•Core plug		
5	VOE13969011	2							•Gasket		
6	VOE20405716	2							•Plug		
7	VOE20998904	1							•Plug		
8	VOE20998903	1							•Sealing ring		
9	VOE20459998	1							•Camshaft bushing		



10	VOE20459999	6							•Camshaft bushing		
11	VOE20405721	9							•Core plug		
12	VOE20460001	14							•Bushing		
13	VOE20460006	14							•Screw		
14	VOE20933203	1							Gasket		
15	VOE20840812	1							Cover		
16	VOE20405792	2							Screw		
17	VOE20793501	1							Plug		
18	VOE13947281	2							Gasket		
19	VOE20441859	2							Plug		

Date: <b>2013/10/11</b>	Image id: <b>1031436</b>	Catalogue: <b>20095</b>	Model: <b>EC160C L</b>
Brand: <b>Volvo</b>	Serial: <b>120001-, 140001-</b>	Group/Section: <b>212/300</b>	Title: <b>Crankcase ventilation</b>



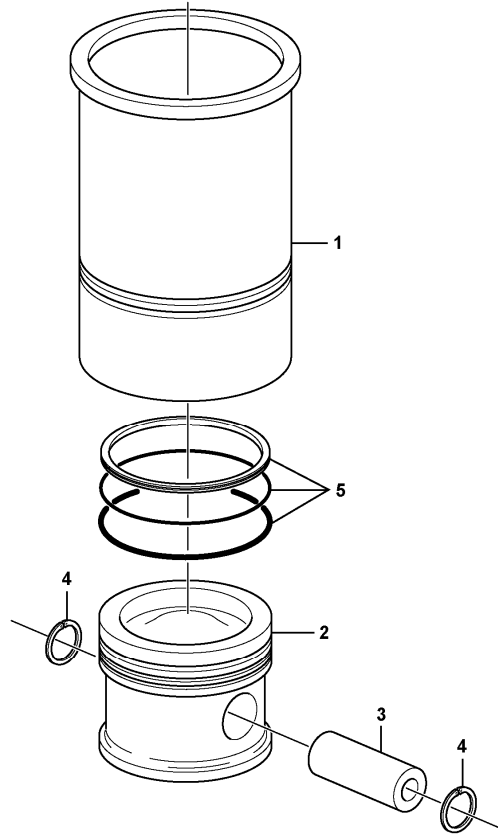
Section option	Kit	Option description
VOE8280348		Engine with Epa label EMISSION CERTIFICATED FROM EU&EPA

Q1-Q5	Option	Option description	
Q1 8280348	VOE8280348	Engine with Epa label EMISSION CERTIFICATED FROM EU&EPA	

Pos	Part	Q1	Q2	Q3	Q4	Q5	PS	Kit	Description	Option(s)	Remark
1	VOE20930510	1							Pressure regulator		
2	VOE21038626	1							•Gasket		
3	VOE20405504	2							Screw		(VOE20792147)
4	VOE20798824	1							Return Line		
5	VOE20799673	1							Hose Clamp		
6	VOE20841133	1							Dtt Regulator		
7	VOE20460026	1							Sealing ring		
8	VOE20840219	1							Oil Return Pipe		
9	VOE20799065	1							•Rubber Sleeve		



Date: <b>2013/10/11</b>	Image id: <b>1024633</b>	Catalogue: <b>20095</b>	Model: <b>EC160C L</b>
Brand: <b>Volvo</b>	Serial: <b>120001-, 140001-</b>	Group/Section: <b>213/100</b>	Title: <b>Cylinder liner and piston</b>



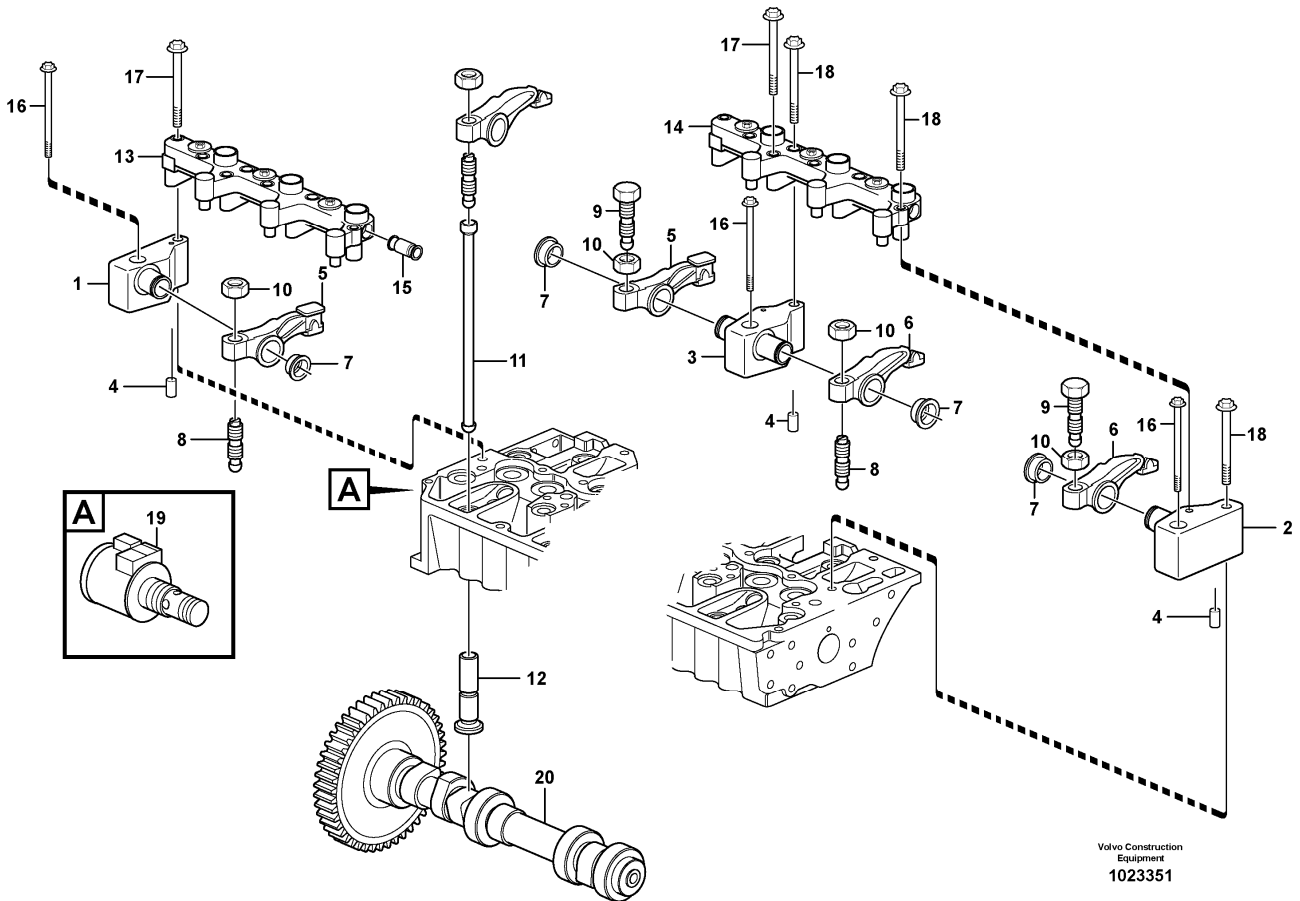
Volvo Construction  
Equipment  
1024633

Section option	Kit	Option description
VOE8280348		Engine with Epa label EMISSION CERTIFICATED FROM EU&EPA

Q1-Q5	Option	Option description	
Q1 8280348	VOE8280348	Engine with Epa label EMISSION CERTIFICATED FROM EU&EPA	

Pos	Part	Q1	Q2	Q3	Q4	Q5	PS	Kit	Description	Option(s)	Remark
1	VOE20890422	6							Cyl Liner Kit		
2	VOE20798851	6					NS		•Piston		
3	VOE20798843	6							••Piston Pin		
4	VOE20798020	12							••Lock Ring		
5	VOE20799069	6							••Piston Ring Kit		

Date: <b>2013/10/11</b>	Image id: <b>1023351</b>	Catalogue: <b>20095</b>	Model: <b>EC160C L</b>
Brand: <b>Volvo</b>	Serial: <b>120001-, 140001-</b>	Group/Section: <b>214/100</b>	Title: <b>Valve mechanism</b>



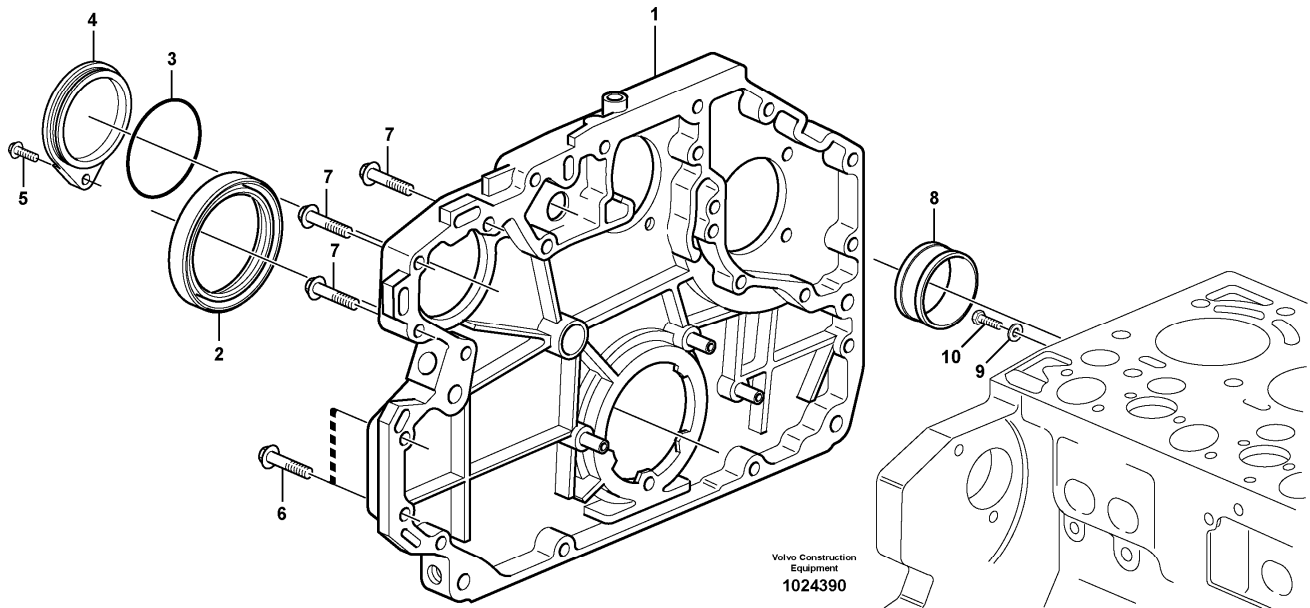
Section option	Kit	Option description
VOE8280348		Engine with Epa label EMISSION CERTIFICATED FROM EU&EPA

Q1-Q5	Option	Option description	
Q1 8280348	VOE8280348	Engine with Epa label EMISSION CERTIFICATED FROM EU&EPA	

Pos	Part	Q1	Q2	Q3	Q4	Q5	PS	Kit	Description	Option(s)	Remark
1	VOE20799056	1							Bracket		
2	VOE20799047	1							Bracket		
3	VOE20799053	5							Bracket		
4	VOE20790837	7							Pin		
5	VOE20792878	6							Rocker Arm		
6	VOE21448926	6							Rocker arm		(VOE20792876)
7	VOE20794115	12							Retaining ring		
8	VOE20913851	6							Adjusting Screw		
9	VOE20816389	6							Adjusting Screw		



Date: <b>2013/10/11</b>	Image id: <b>1024390</b>	Catalogue: <b>20095</b>	Model: <b>EC160C L</b>
Brand: <b>Volvo</b>	Serial: <b>120001-, 140001-</b>	Group/Section: <b>215/100</b>	Title: <b>Timing gear casing</b>



Section option	Kit	Option description
VOE8280348		Engine with Epa label EMISSION CERTIFICATED FROM EU&EPA

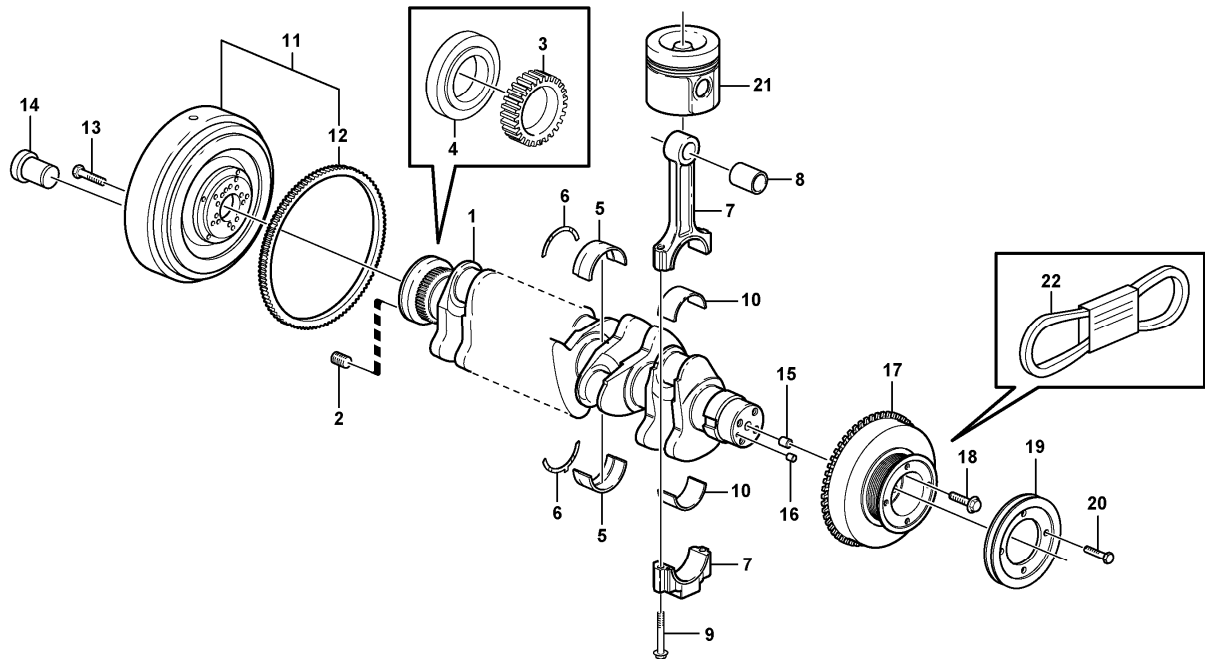
Q1-Q5	Option	Option description	
Q1 8280348	VOE8280348	Engine with Epa label EMISSION CERTIFICATED FROM EU&EPA	

Pos	Part	Q1	Q2	Q3	Q4	Q5	PS	Kit	Description	Option(s)	Remark
1	VOE20841195	1							Gear Housing		
2	VOE20459115	1							Crankshaft seal		
3	VOE20405652	1							Sealing ring		
4	VOE20950063	1							Cover		
5	VOE20405672	1							Screw		
6	VOE20412324	12							Screw		
7	VOE20450801	3							Screw		
8	VOE20460092	1							Bushing		
9	VOE20460087	1							Washer		





Date: <b>2013/10/11</b>	Image id: <b>1024600</b>	Catalogue: <b>20095</b>	Model: <b>EC160C L</b>
Brand: <b>Volvo</b>	Serial: <b>120001-, 140001-</b>	Group/Section: <b>216/100</b>	Title: <b>Crankshaft and related parts 8280348</b>



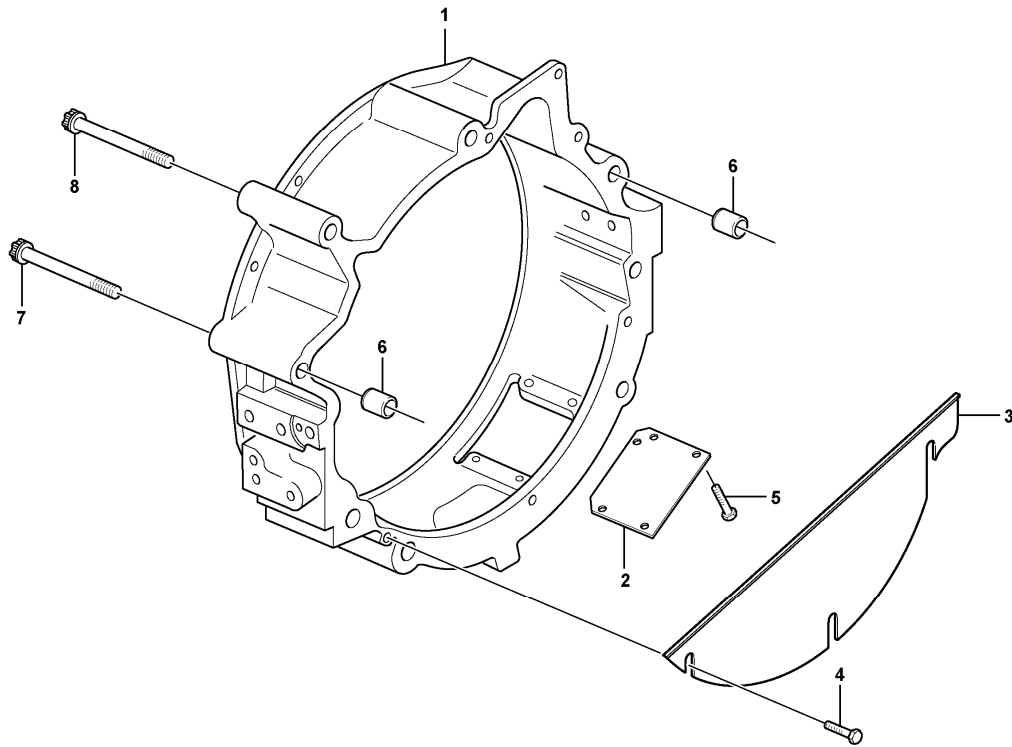
Volvo Construction  
Equipment  
1024600

Section option	Kit	Option description
VOE8280348		Engine with Epa label EMISSION CERTIFICATED FROM EU&EPA

Pos	Part	Q1	Q2	Q3	Q4	Q5	PS	Kit	Description	Option(s)	Remark
1	VOE20838068	1							Crankshaft		
2	VOE20459144	10							•Insert		
3	VOE20838102	1							•Gear		
4	VOE20791429	1							•Flywheel companion flange		
5	VOE20850106	7							Main Bearing		STD 84,00 MM
5	VOE20850110	7							Main Bearing		U SZ 83,75 MM
6	VOE20850116	2							Thrust washer		STD 2,15 MM
6	VOE20850122	2							Thrust Washer		O SZ 2,35 MM
7	VOE20851091	6							Connecting rod		
8	VOE20799647	6							•Piston Bearing		
9	VOE20799587	12							•Bolt		

10	VOE20850096	6							Big End Brg Kit		STD 63,00 MM
10	VOE20850097	6							Big End Brg Kit		U SZ 62,75 MM
11	VOE20524696	1							Flywheel		
12	VOE21033328	1							•Gear Ring		
13	VOE20405654	10							Bolt		
14	VOE20405643	5							Plug		
15	VOE20405634	1							Spring pin		
16	VOE20450628	1							Pin		
17	VOE20799122	1							V-belt Pulley		
18	VOE20405724	4							Screw		
19	VOE20459155	1							Pulley		
20	VOE20459156	4							Screw		
21		1							Piston		See ref 213/100
22		1							V-ribbed Belt		See ref 263/100

Date: <b>2013/10/11</b>	Image id: <b>1027113</b>	Catalogue: <b>20095</b>	Model: <b>EC160C L</b>
Brand: <b>Volvo</b>	Serial: <b>120001-, 140001-</b>	Group/Section: <b>216/200</b>	Title: <b>Flywheel housing 8280348</b>

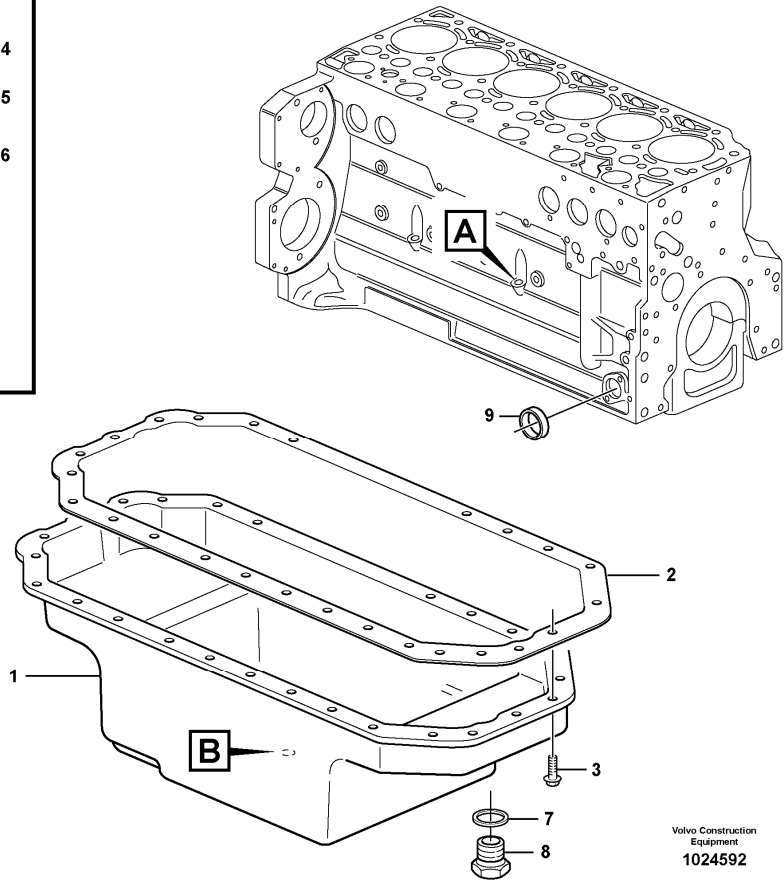
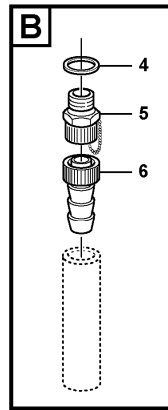
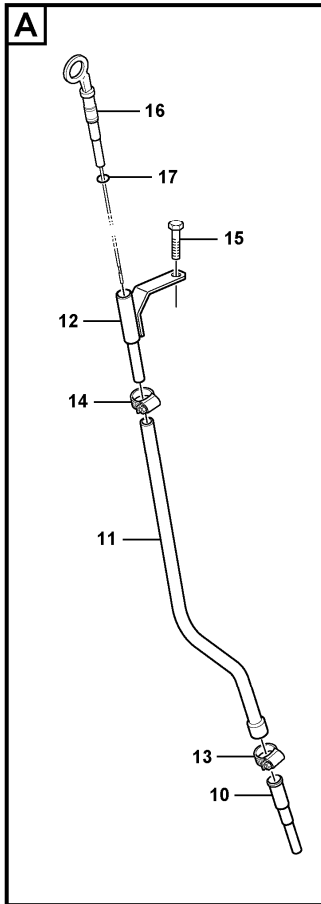


Volvo Construction  
Equipment  
1027113

Section option	Kit	Option description
VOE8280348		Engine with Epa label EMISSION CERTIFICATED FROM EU&EPA

Pos	Part	Q1	Q2	Q3	Q4	Q5	PS	Kit	Description	Option(s)	Remark
1	VOE21018780	1							Flywheel Hsg		(VOE21044436)
2	VOE20547288	1							•Cover Plate		
3	VOE20459989	1							•Cover		
4	VOE20405729	3							•Screw		
5	VOE20405729	4							•Screw		
6	VOE20585971	2							Bushing		
7	VOE20459996	2							Screw		
8	VOE20459995	4							Screw		

Date: <b>2013/10/11</b>	Image id: <b>1024592</b>	Catalogue: <b>20095</b>	Model: <b>EC160C L</b>
Brand: <b>Volvo</b>	Serial: <b>120001-, 140001-</b>	Group/Section: <b>217/100</b>	Title: <b>Oil sump</b>



Volvo Construction  
Equipment  
1024592

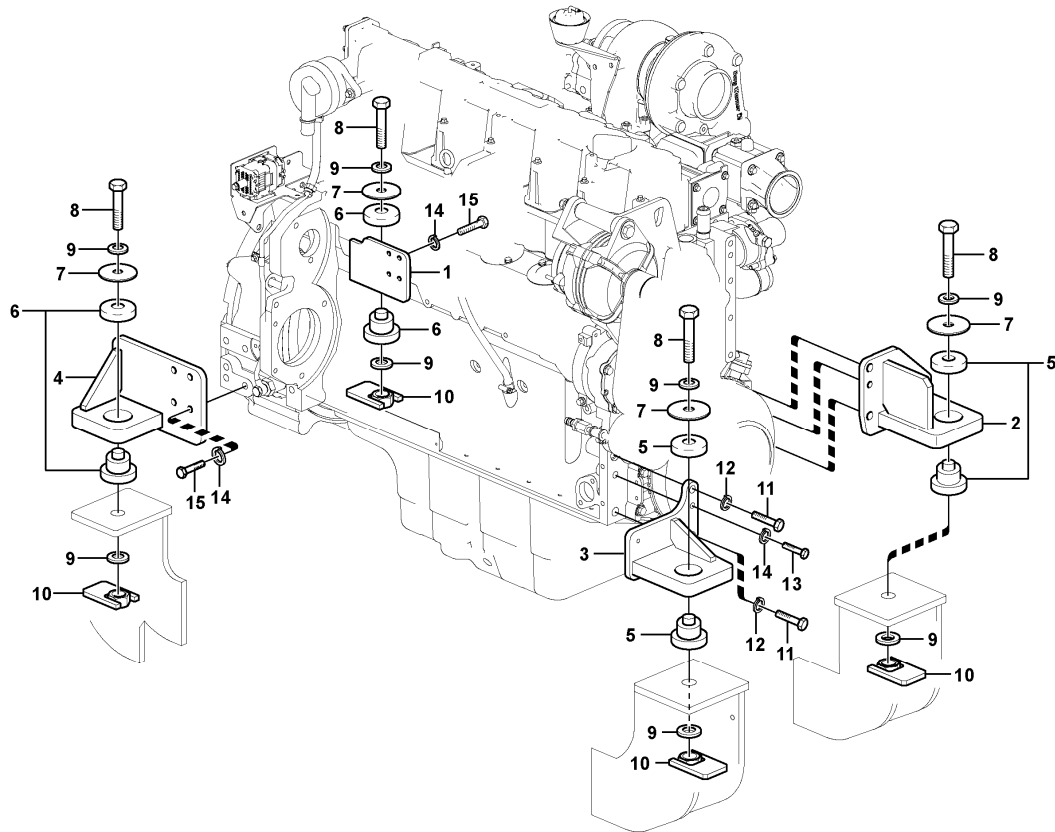
Section option	Kit	Option description
VOE8280348		Engine with Epa label EMISSION CERTIFICATED FROM EU&EPA

Q1-Q5	Option	Option description
Q1 8280348	VOE8280348	Engine with Epa label EMISSION CERTIFICATED FROM EU&EPA

Pos	Part	Q1	Q2	Q3	Q4	Q5	PS	Kit	Description	Option(s)	Remark
1	VOE20840491	1							Oil Pan		(VOE21099723)
2	VOE20460022	1							Gasket		
3	VOE20405792	28							Screw		
4	VOE13947624	1							Plane gasket		
5	VOE20450851	1							Drain valve		
6	VOE20478246	1							Hose		
7	VOE20515173	1							Gasket		
8	VOE20515171	1							Plug		
9	VOE20412745	1							Core plug		



Date: <b>2013/10/11</b>	Image id: <b>1022105</b>	Catalogue: <b>20095</b>	Model: <b>EC160C L</b>
Brand: <b>Volvo</b>	Serial: <b>120001-, 140001-</b>	Group/Section: <b>218/100</b>	Title: <b>Engine mount</b>



Volvo Construction  
Equipment  
1022105

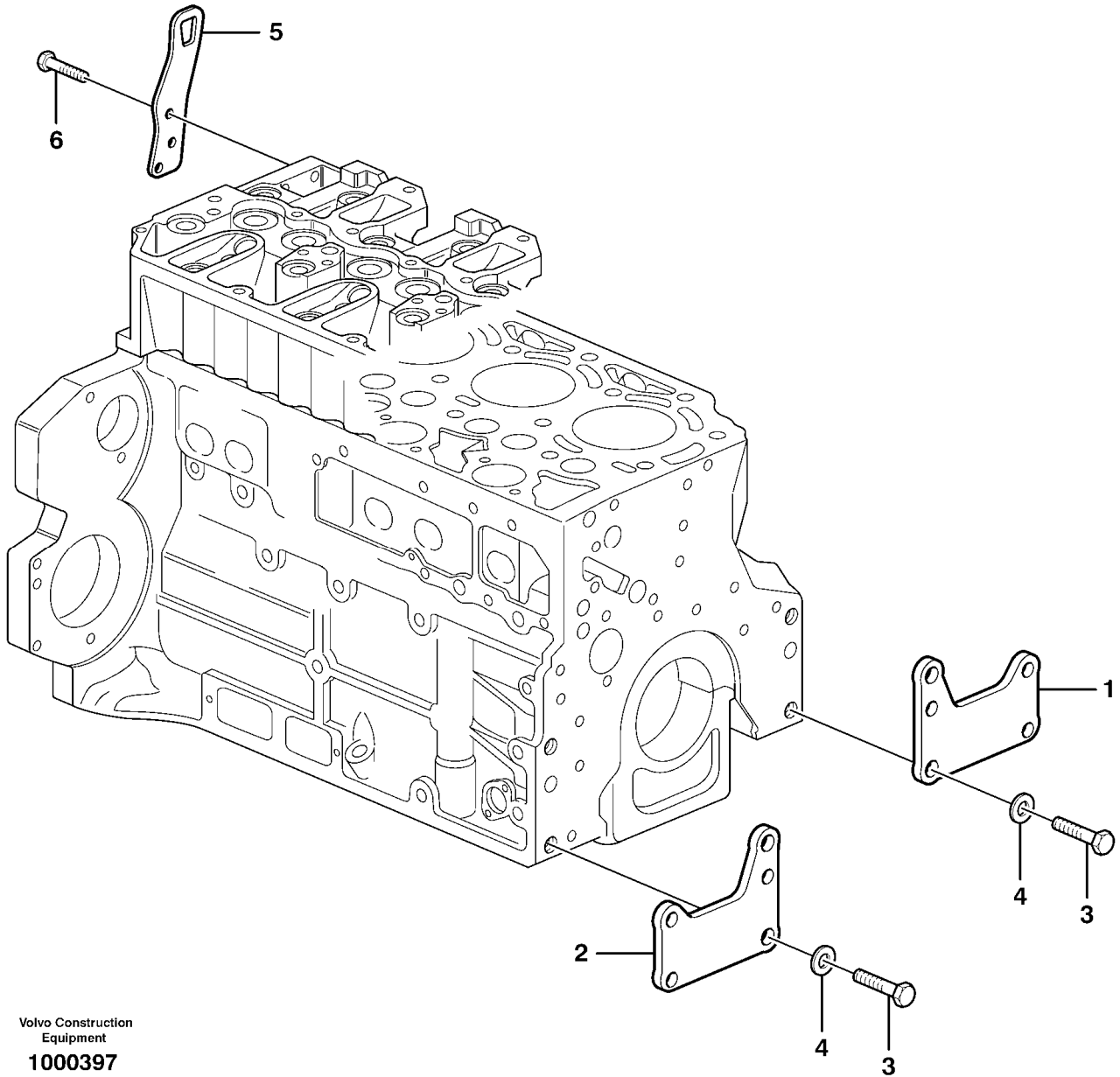
Section option	Kit	Option description
VOE8280347		Basic Machine EC160C AND EC180C

Q1-Q5	Option	Option description
Q1 8280347	VOE8280347	Basic Machine EC160C AND EC180C

Pos	Part	Q1	Q2	Q3	Q4	Q5	PS	Kit	Description	Option(s)	Remark
1	VOE14540595	1							Bracket		
2	VOE14385610	1							Bracket		
3	VOE14540596	1							Bracket		
4	VOE14557538	1							Bracket		
5	VOE14526154	2							Cushion		
6	VOE14526155	2							Cushion		
7	VOE14526169	4							Plate		
8	SA9011-22221	4							Hexagon screw		
9	SA9211-22000	8							Washer		



Date: <b>2013/10/11</b>	Image id: <b>1000397</b>	Catalogue: <b>20095</b>	Model: <b>EC160C L</b>
Brand: <b>Volvo</b>	Serial: <b>120001-, 140001-</b>	Group/Section: <b>218/200</b>	Title: <b>Engine mounting</b>



Section option	Kit	Option description
VOE8280348		Engine with Epa label EMISSION CERTIFICATED FROM EU&EPA

Q1-Q5	Option	Option description	
Q1 8280348	VOE8280348	Engine with Epa label EMISSION CERTIFICATED FROM EU&EPA	

Pos	Part	Q1	Q2	Q3	Q4	Q5	PS	Kit	Description	Option(s)	Remark
1	VOE20723978	1							Bracket		





Thank you so much for reading.  
Please click the “Buy Now!”  
button below to download the  
complete manual.



After you pay.

You can download the most  
perfect and complete manual in  
the world immediately.

Our support email:

[ebooklibonline@outlook.com](mailto:ebooklibonline@outlook.com)