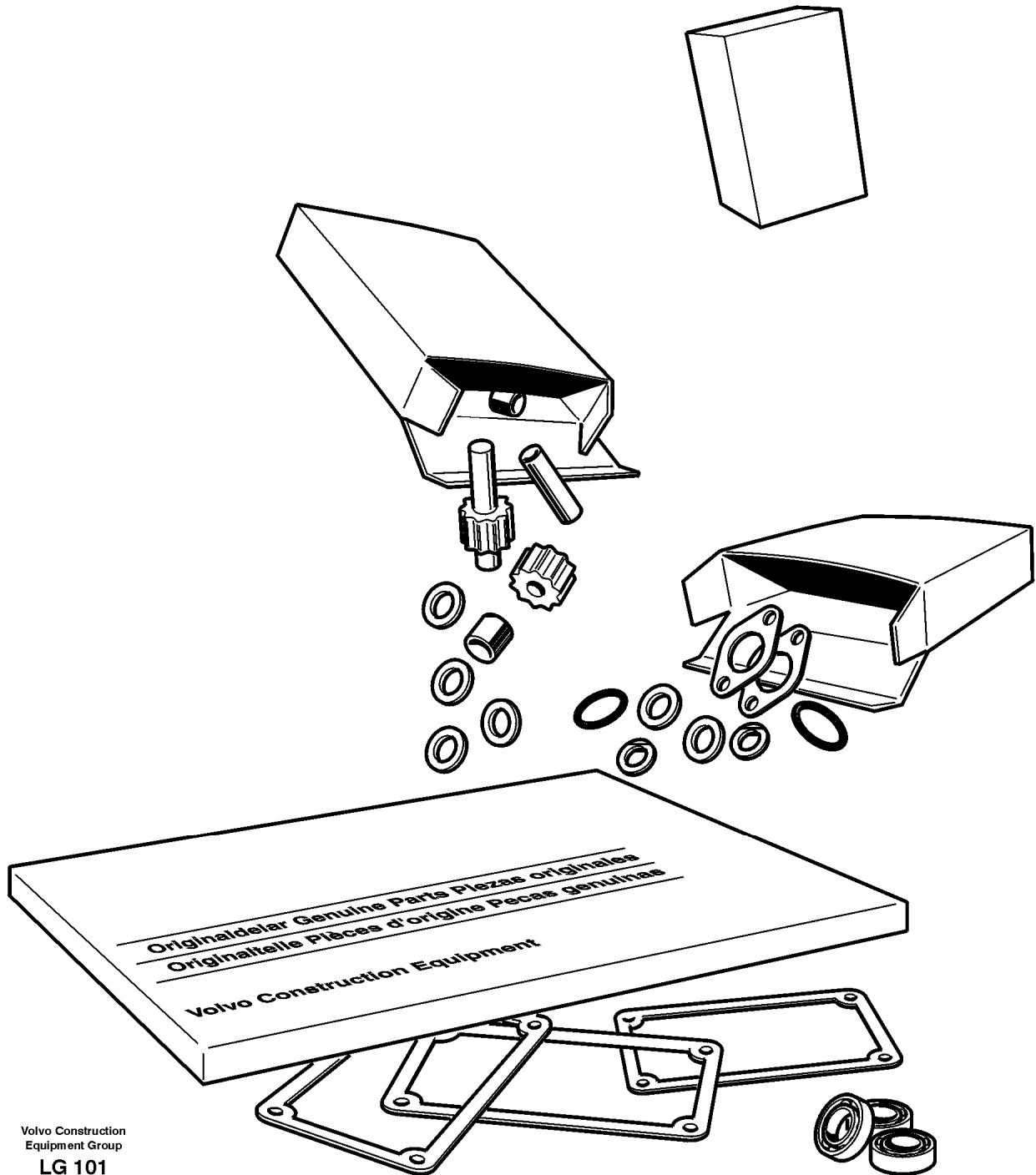


Date: 2013/10/14	Image id: LG101	Catalogue: 99533	Model: EC200
Brand: Volvo	Serial: 2760-9999	Group/Section: 210/100	Title: Repair kits for engine



Volvo Construction
Equipment Group
LG 101

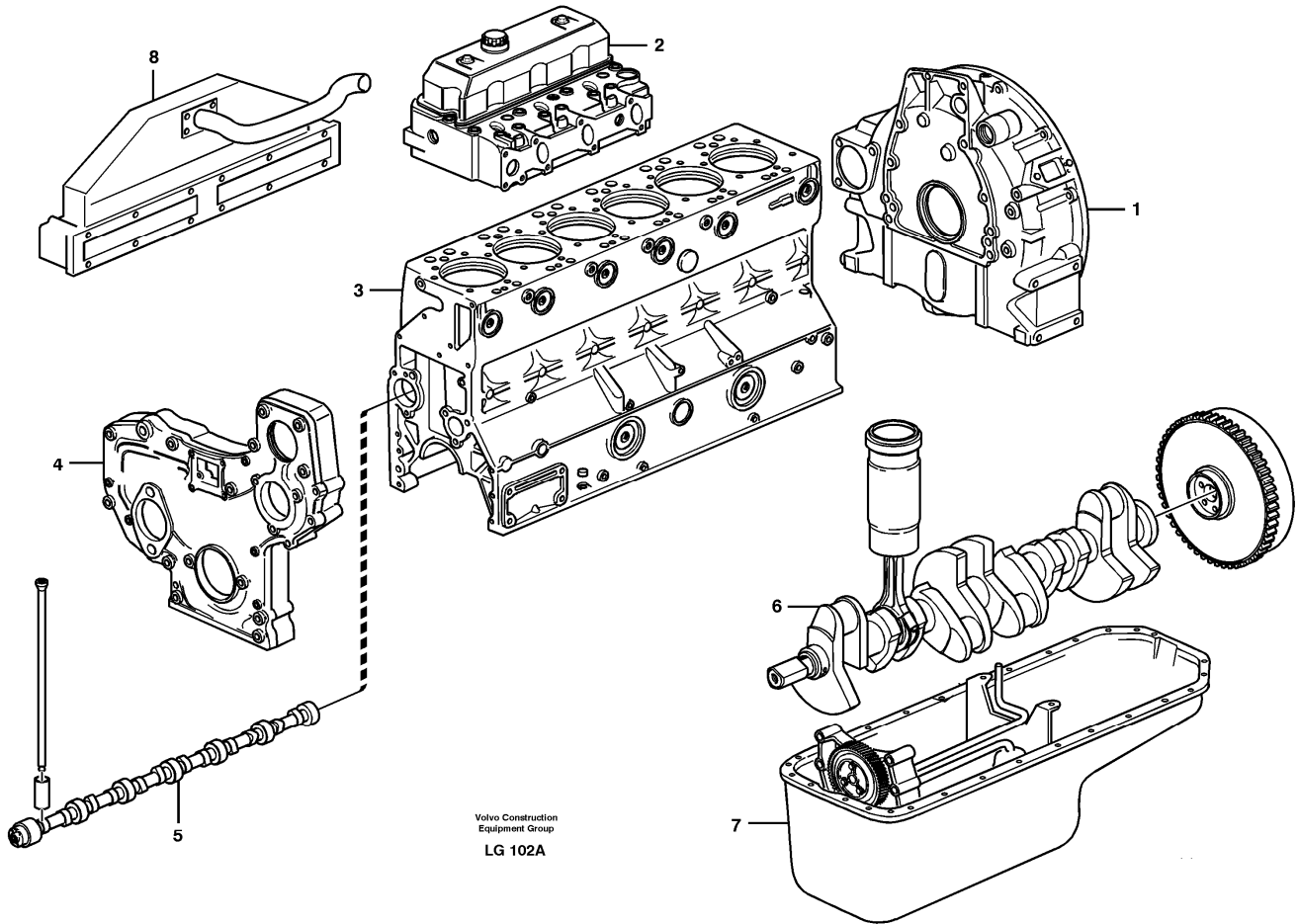
Pos	Part	Q1	Q2	Q3	Q4	Q5	PS	Kit	Description	Option(s)	Remark
-----	------	----	----	----	----	----	----	-----	-------------	-----------	--------

VOE276821	2							Gasket Kit		FOR CYLINDER HEAD / FÖR CYLINDERLOCK
VOE276929	6							Cylinder liner kit		See ref 213/100
VOE271161	6							•Seg Ring Kit		
VOE276310	6							•Piston Ring Kit		
VOE270139	6							Piston Bearing		STD See ref 216/100
VOE270140	6							Big End Brg Kit		0,25 O SZ
VOE270141	6							Big End Brg Kit		0,50 O SZ
VOE270142	6							Big End Brg Kit		0,75 O SZ
VOE271230	7							Mn Bearing Kit		STD
VOE271231	7							Mn Bearing Kit		0,25 O SZ
VOE271232	7							Mn Bearing Kit		0,50 O SZ
VOE271233	7							Mn Bearing Kit		0,75 O SZ
VOE271234	7							Mn Bearing Kit		1,00 O SZ
VOE276751	1							Thr Washer Kit		STD
VOE276752	1							Thrust Washer		0,1 O SZ
VOE276753	1							Thrust Washer		0,2 O SZ
VOE276152	1							Repair Kit		FOR OIL PUMP / FÖR OLJEPUMP
VOE276804	1					SS		Cool Pump Kit		
VOE11990043	1							Repair Kit		
VOE845240	1							Repair Kit		Inspr.pump See ref 236/400
VOE11997139	1							Overhaul Kit		Step 1 / steg 1
VOE276821	2							•Gasket Kit		
VOE275776	1							•Gasket Kit		Supplementary for decar - bonizing the engine / tillägg för sotning
VOE1661993	1							•Thermostat		
VOE471682	3							•Gasket		(VOE424619)
VOE420538	6							•Gasket		
VOE420618	2							•Gasket		

	VOE11997140	1					OP		Overhaul Kit		Step 1 supplement / steg 1 tillägg
	VOE465158	6							•Valve seat		
	VOE465155	6							•Valve seat		
	VOE420553	6					SS		•Inlet valve		
	VOE8192143	6							•Exhaust Valve		(VOE465549)
	VOE477792	12							•Valve Guide		
	VOE270575	6					SS		•Repair Kit		
	VOE11997143	1					OP		Overhaul Kit		
	VOE270139	6							•Piston Bearing		
	VOE876199	6							•Cylinder liner kit		
	VOE465815	12							•Screw		
	VOE11030778	1							•Gasket		
	VOE11997145	1					OP		Overhaul Kit		Step 3 / steg 3
	VOE271230	7							•Mn Bearing Kit		
	VOE276751	1							•Thr Washer Kit		
	VOE11997140	1					OP		•Overhaul Kit		
	VOE11997136	1					OP		•Gasket Kit		
	VOE11997136	1					OP		Gasket Kit		Supplementary set for major overhaul of engine /
											Tilläggsats för hel- renovering
	VOE420641	1							•Gasket		
	VOE420643	1							•Gasket		
	VOE421121	2							•Gasket		
	VOE845515	2							•Gasket		
	VOE862619	2							•Gasket		
	VOE1275379	1							•Gasket		(VOE940096)
	VOE947620	14							•Gasket		
	VOE4804167	1							•Gasket		
	VOE11030013	1							•Gasket		
	VOE13947281	6							•Gasket		
	VOE13947282	2							•Gasket		
	VOE13969011	14							•Gasket		
	VOE13947627	3							•Plane Gasket		(VOE947627)
	VOE949329	1							•Gasket		
	VOE957171	1							•Plane Gasket		
	VOE13947624	3							•Plane Gasket		
	VOE13947625	1							•Plane Gasket		

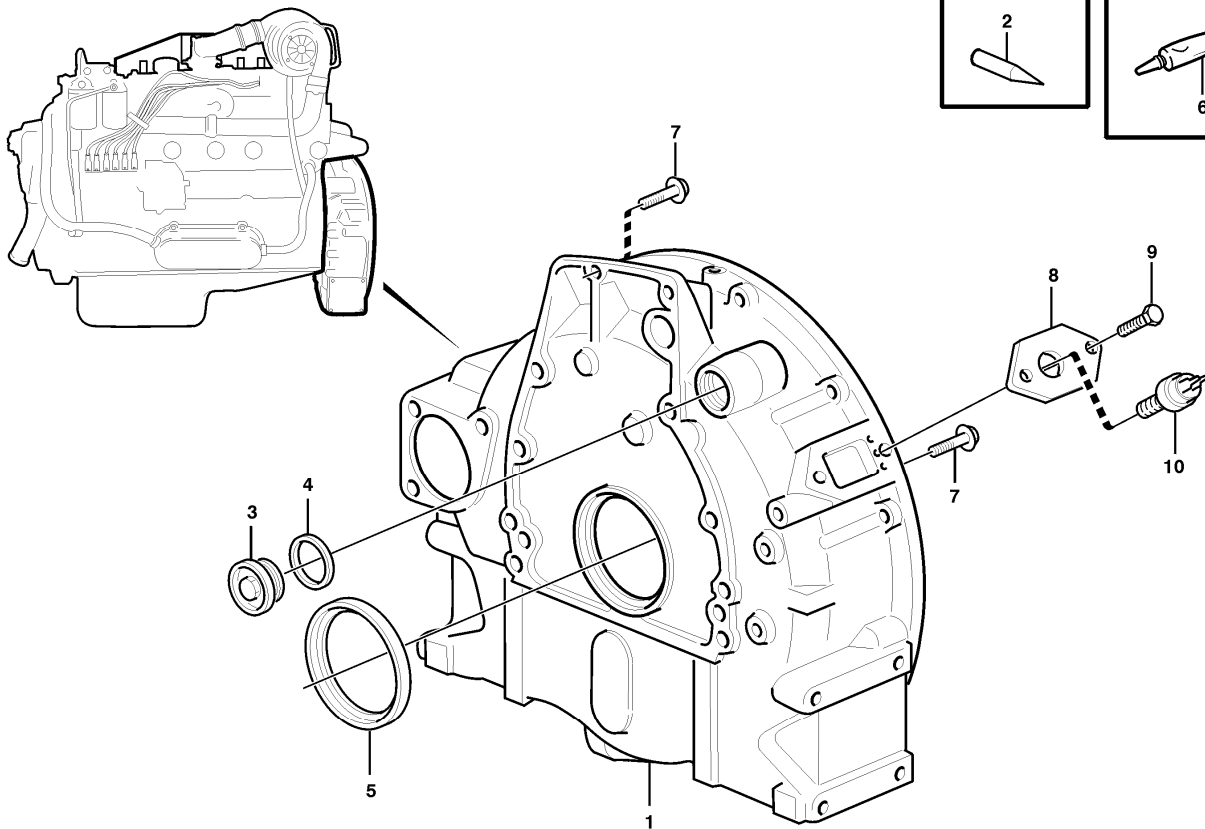
VOE421158	1								•Sealing ring		
VOE421629	1								•Sealing ring		
VOE925094	1								•O-ring		(VOE465058)
VOE469455	6								•Sealing ring		
VOE469483	2								•Sealing ring		
VOE470383	2								•Sealing ring		
VOE471321	1								•Sealing ring		
VOE471626	3								•Sealing ring		
VOE471637	2								•Sealing ring		
VOE471708	2								•Sealing ring		
VOE471856	5								•Sealing ring		
VOE471956	6								•Sealing ring		
VOE477118	1								•Sealing ring		
VOE11030751	2								•Sealing ring		
VOE477059	1								•O-ring		
VOE925057	2								•O-ring		
VOE925092	1								•O-ring		
VOE925094	1								•O-ring		
VOE925256	1								•O-ring		
VOE925257	1								•O-ring		
VOE13925095	1								•O-ring		
VOE13948981	1								•O-ring		
VOE13949656	2								•O-ring		
VOE13949722	1								•O-ring		
VOE13975610	1								•O-ring		
VOE477119	1								•Crankshaft Seal		

Date: 2013/10/14	Image id: LG102A	Catalogue: 99533	Model: EC200
Brand: Volvo	Serial: 2760-9999	Group/Section: 210/200	Title: Engine



Pos	Part	Q1	Q2	Q3	Q4	Q5	PS	Kit	Description	Option(s)	Remark
	VOE15004130	1							Engine		(VOE8188109)
1		1							Flywheel housing		See ref 210/300
2		1							Cylinder head		See ref 211/100
3		1							Cylinder block		See ref 212/100
4		1							Timing gear casing		See ref 215/100
5		1							Camshaft		See ref 215/200
6		1							Crank mechanism		See ref 216/100
7		1							Oil sump		See ref 217/100
8		1							Charge air cooler		See ref 251/260

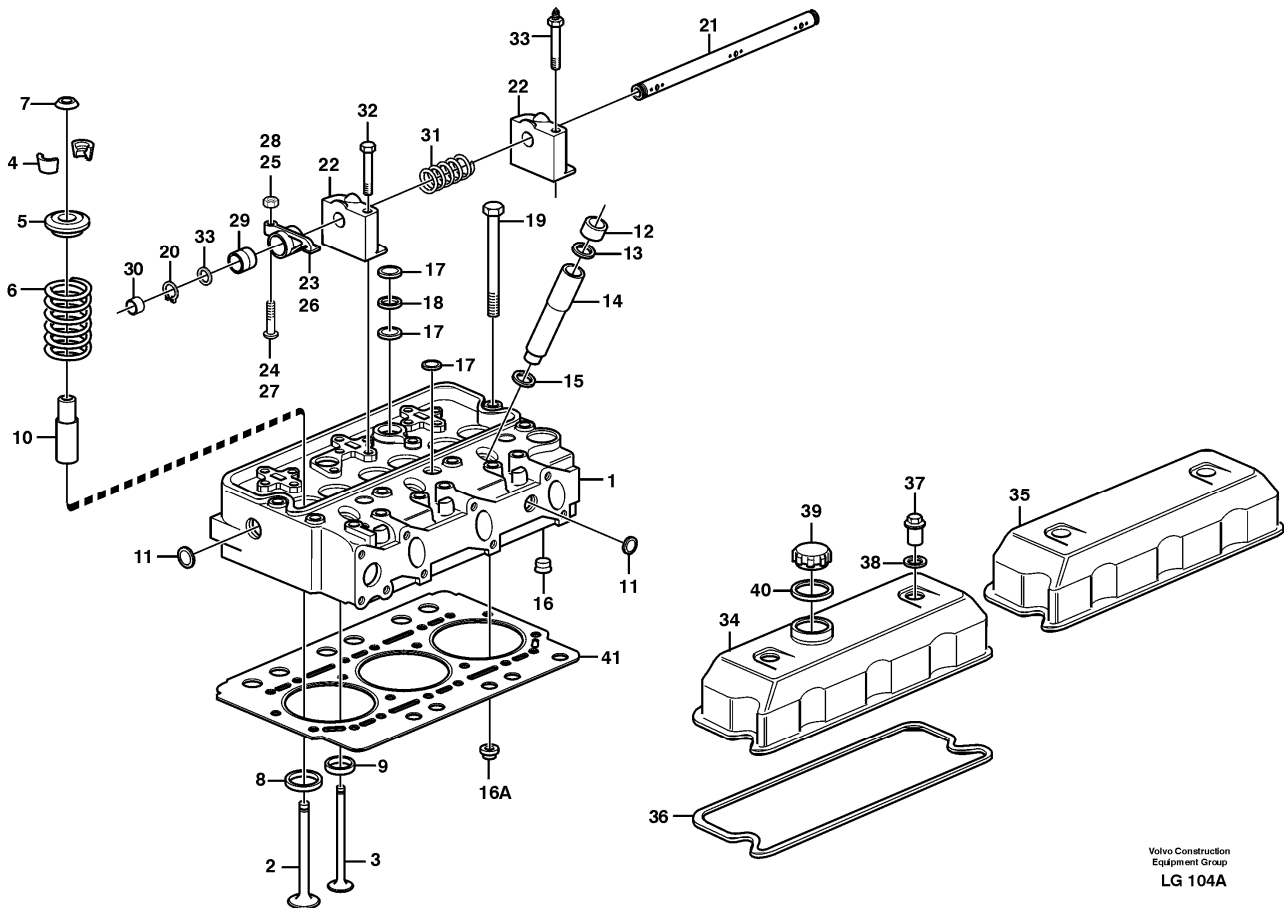
Date: 2013/10/14	Image id: LG103A	Catalogue: 99533	Model: EC200
Brand: Volvo	Serial: 2760-9999	Group/Section: 210/300	Title: Flywheel housing



Volvo Construction
Equipment Group
LG 103A

Pos	Part	Q1	Q2	Q3	Q4	Q5	PS	Kit	Description	Option(s)	Remark
1	VOE11701518	1					SS		Flywheel Hsg		
2	VOE864494	1							Setting Indicator		
3	VOE467367	1							Plug		(VOE467649)
4	VOE1556907	1							Gasket		(VOE469328)
5	VOE477119	1							Crankshaft Seal		
6	VOE1161277	REQ							Sealant		20 g
7	VOE13966361	6							Flange screw		L = 55
	VOE13966363	2							Flange screw		L = 65
	VOE968753	2							Flange screw		L = 75
8	VOE14254562	1							Attachment		
9	VOE13955272	2							Screw		
10	VOE14215228	1							Eng Sp Sensor		

Date: 2013/10/14	Image id: LG104A	Catalogue: 99533	Model: EC200
Brand: Volvo	Serial: 2760-9999	Group/Section: 211/100	Title: Cylinder head

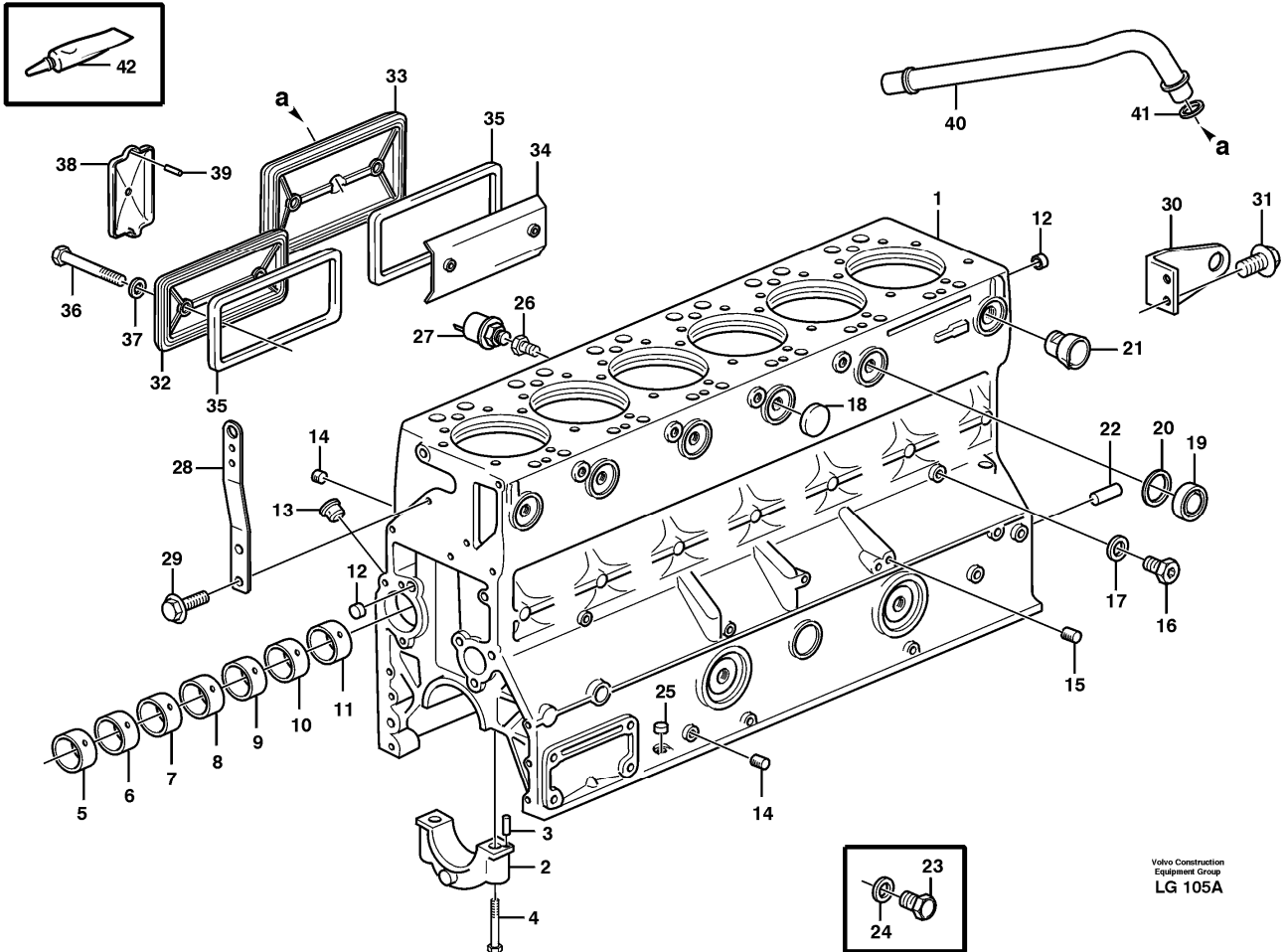


Volvo Construction
Equipment Group
LG 104A

Pos	Part	Q1	Q2	Q3	Q4	Q5	PS	Kit	Description	Option(s)	Remark
1	VOE420878	2							Cylinder head		
2	VOE420553	6					SS		•Inlet valve		
3	VOE8192143	6							•Exhaust valve		
4	VOE1677875	24							•Valve Collet		
5	VOE465550	12							•Washer		
6	VOE465233	12							•Valve spring		
7	VOE465551	12							•Protecting sleeve		
8	VOE420874	6							•Valve seat		
9	VOE420875	6							•Valve seat		
10	VOE477792	12							•Valve guide		
11	VOE477024	8							•Expansion plug		
12	VOE466420	6							•Ring		
13	VOE466405	6							•Sealing ring		
14	VOE8192085	6							•Sleeve		

15	VOE466922	6							•Sealing ring		
16	VOE465420	4							•Nozzle		
16A	VOE422413	2							•Sealing ring		ID = 10
	VOE466421	16							•Sealing ring		ID = 15
	VOE465784	12							•Sealing		ID = 25
17	VOE477026	14							•Expansion plug		
18	VOE947626	4							•Gasket		
19	VOE465840	40							•Screw		
20	VOE914456	4							••Retaining ring		
21	VOE465791	2					NS		••Pin		
22	VOE1665204	6							••Bearing Bracket		
23	VOE7420129	3							••Rocker arm		
24	VOE422993	3							•••Bolt		
25	VOE940175	3							•••Nut		
26	VOE420132	3							••Rocker arm		
27	VOE422993	3							•••Bolt		
28	VOE940175	3							•••Nut		
29	VOE420125	12							•••Bushing		
30	VOE13955083	4							••Cap plug		
31	VOE411139	4							••Spring		
32	VOE471513	8							••Screw		
33	VOE471512	4							••Screw		
34	VOE8192015	1							••Valve cover		
35	VOE8192016	1							••Valve cover		
36	VOE8192009	2							••Sealing strip		
37	VOE8148488	4							••Lock nut		
38	VOE8192526	4							••Bushing		
39	VOE421753	1							••Filler cap		
40	VOE1275379	1							••Gasket		(VOE940096)

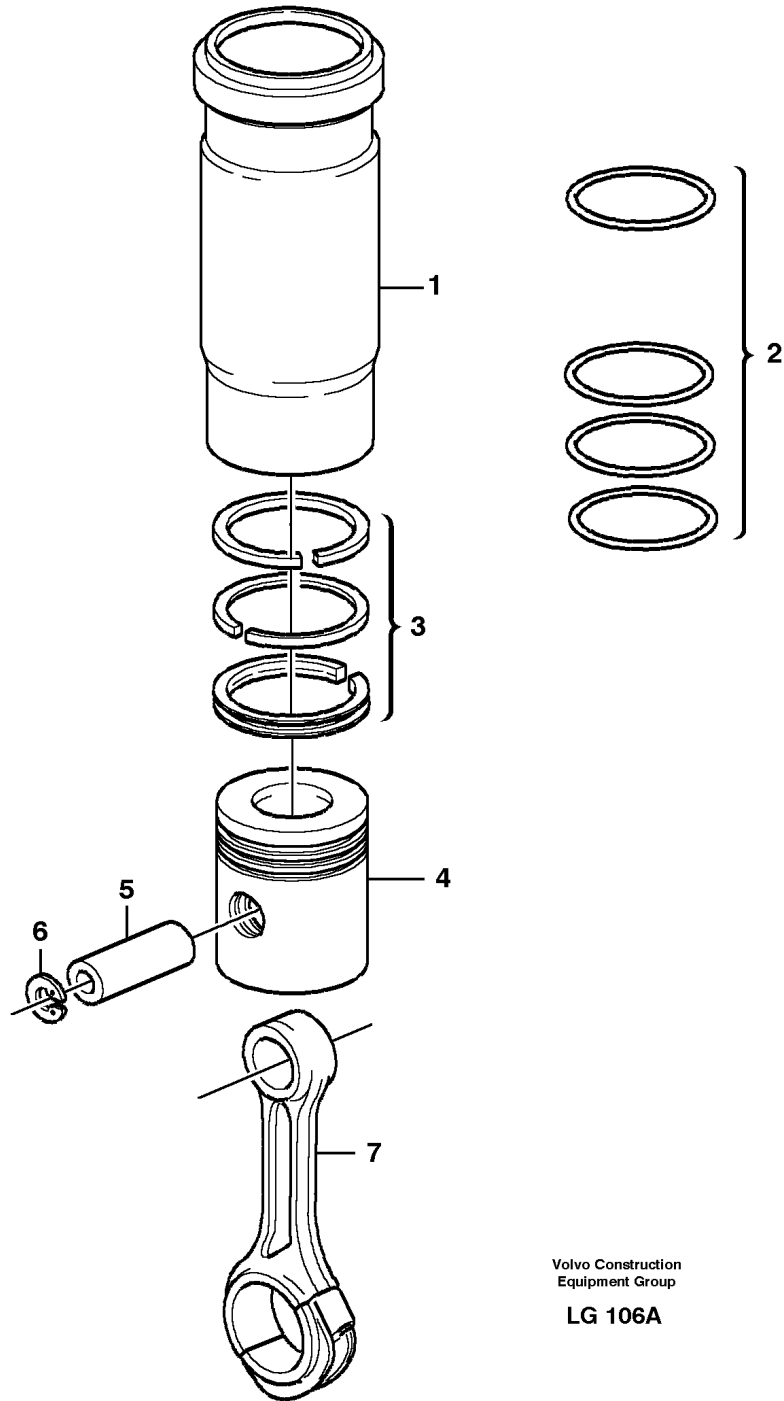
Date: 2013/10/14	Image id: LG105A	Catalogue: 99533	Model: EC200
Brand: Volvo	Serial: 2760-9999	Group/Section: 212/100	Title: Cylinder block



Pos	Part	Q1	Q2	Q3	Q4	Q5	PS	Kit	Description	Option(s)	Remark
	VOE420990	1							Cylinder block		
1	VOE420981	1					NS		•Cylinder block		
2		7					NS		•Cap		
3	VOE422426	1							•Pin		
4	VOE465899	14							•Screw		
5	VOE422076	1							•Bushing		
6	VOE422077	1							•Bushing		(VOE7422077)
7	VOE422078	1							•Bushing		
8	VOE11000014	1							•Bushing		(VOE422079)
9	VOE422080	1							•Bushing		(VOE7422080)
10	VOE422081	1							•Bushing		
11	VOE422082	1							•Bushing		

12	VOE955082	6							•Cap plug		
13	VOE422369	2							•Plug		
14	VOE479979	5							•Plug		1/8"NPTF
15	VOE952076	3					SS		•Plug		3/8"NPTF
16	VOE965768	1					SE		•Plug		
17	VOE13947281	1							•Gasket		
18	VOE968955	4					SE		•Expansion Plug		
19	VOE467367	2							•Plug		(VOE467649)
20	VOE1556907	2							•Gasket		(VOE469328)
21	VOE421154	6							•Nozzle		
22	VOE191171	2							•Pin		(VOE191171)
23	VOE960630	1							Plug		
24	VOE13969011	1							Gasket		
25	VOE955082	2							Cap plug		
26	VOE835980	1							Nipple		
27	VOE864415	1							Oil pressure sensor		
28	VOE848346	1					NS		Iron		Front / främre
29	VOE13965191	2							Screw		
30	VOE465994	2					NS		Lifting eye		Rear / bakre
31	VOE13965191	4							Screw		
32	VOE420120	1							Inspection lid		
33	VOE420121	1							Hatch		
34	VOE3978045	1							Splash plate		(VOE471858)
35	VOE421121	2							Gasket		
36	VOE471855	5							Screw		
37	VOE471856	5							Sealing ring		
38	VOE471854	1							Cover		
39	VOE951974	1							Spring pin		
40	VOE11032901	1							Breather pipe		
41	VOE421158	1							Sealing ring		
42	VOE1161277	REQ							Sealant		20 g

Date: 2013/10/14	Image id: LG106A	Catalogue: 99533	Model: EC200
Brand: Volvo	Serial: 2760-9999	Group/Section: 213/100	Title: Cylinder liner and piston

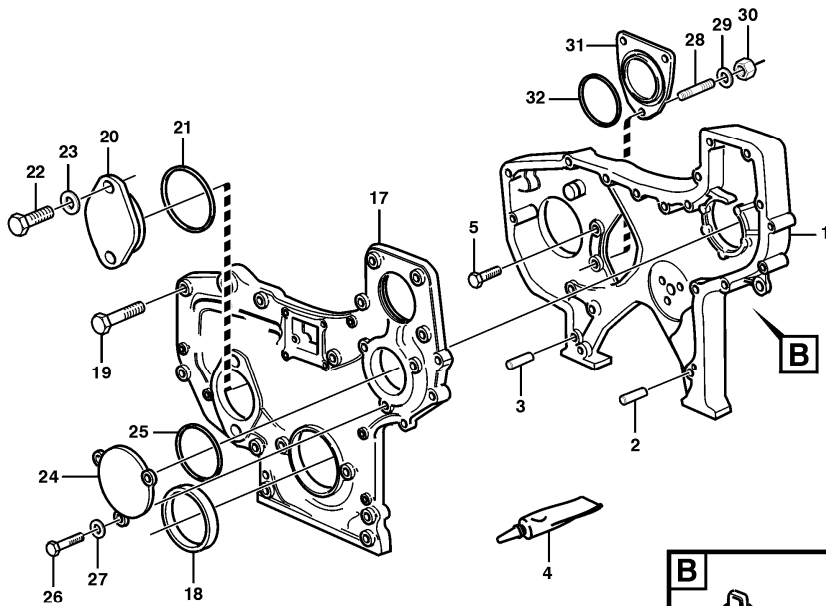


Volvo Construction
Equipment Group
LG 106A

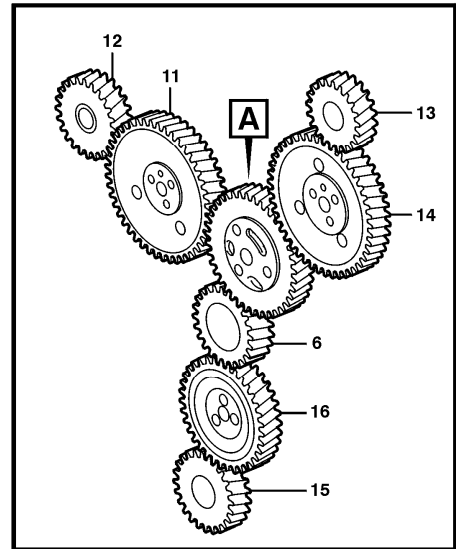
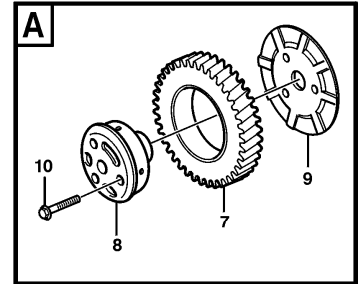
Pos	Part	Q1	Q2	Q3	Q4	Q5	PS	Kit	Description	Option(s)	Remark
	VOE276929	6							Cylinder liner kit		

1		6					NS		•Cylinder liner		
2	VOE271161	6							•Seg Ring Kit		
3	VOE270713	6							•Piston Ring Kit		
4		6					NS		•Piston		
5	VOE3978023	6							•Piston Pin		
6	VOE914523	12							•Snap Ring		
7		6							Connecting rod		See ref 216/100

Date: 2013/10/14	Image id: LG107B	Catalogue: 99533	Model: EC200
Brand: Volvo	Serial: 2760-9999	Group/Section: 215/100	Title: Timing gear casing



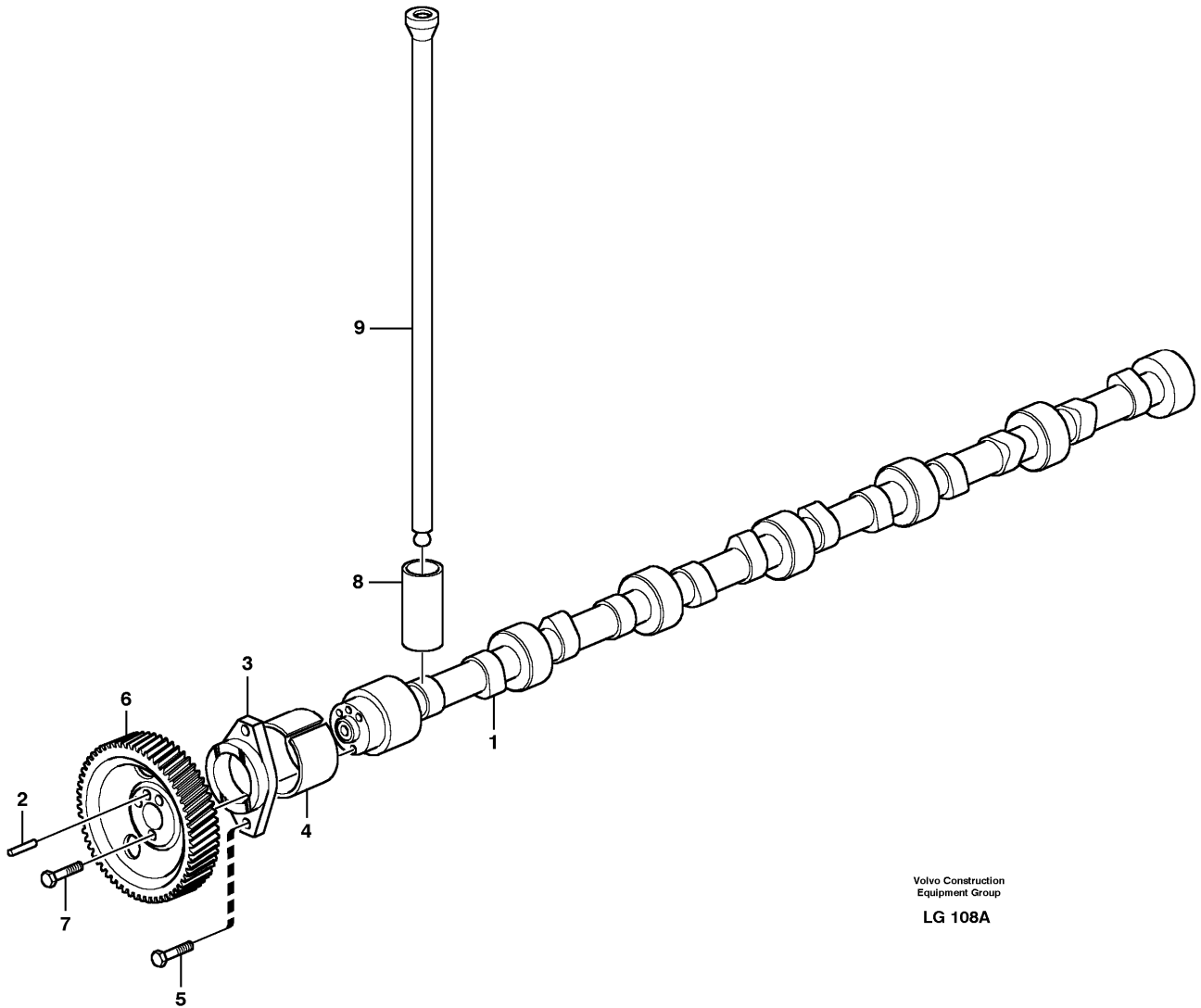
Volvo Construction
Equipment Group
LG 107B



Pos	Part	Q1	Q2	Q3	Q4	Q5	PS	Kit	Description	Option(s)	Remark
1	VOE8192775	1					SS		Tmg Gear Casing		
2	VOE13941511	1							Pin		(941511)
3	VOE13941510	1							Pin		(941510)
4	VOE1161277	REQ							Sealant		20 g
5	VOE471534	2							Screw		L = 28
	VOE471535	2							Screw		L = 58
6		1							Gear		Crankshaft / vevaxel See ref 216/100
7	VOE8192518	1							Idler Gear		
	VOE420083	1					NS		•Bushing		(VOE471552)
8	VOE11704619								Axle		
9	VOE478951	1							Thrust Washer		(VOE467529)
10	VOE471554	3							Screw		
11		1							Gear		Camshaft / kamaxel See ref 215/200

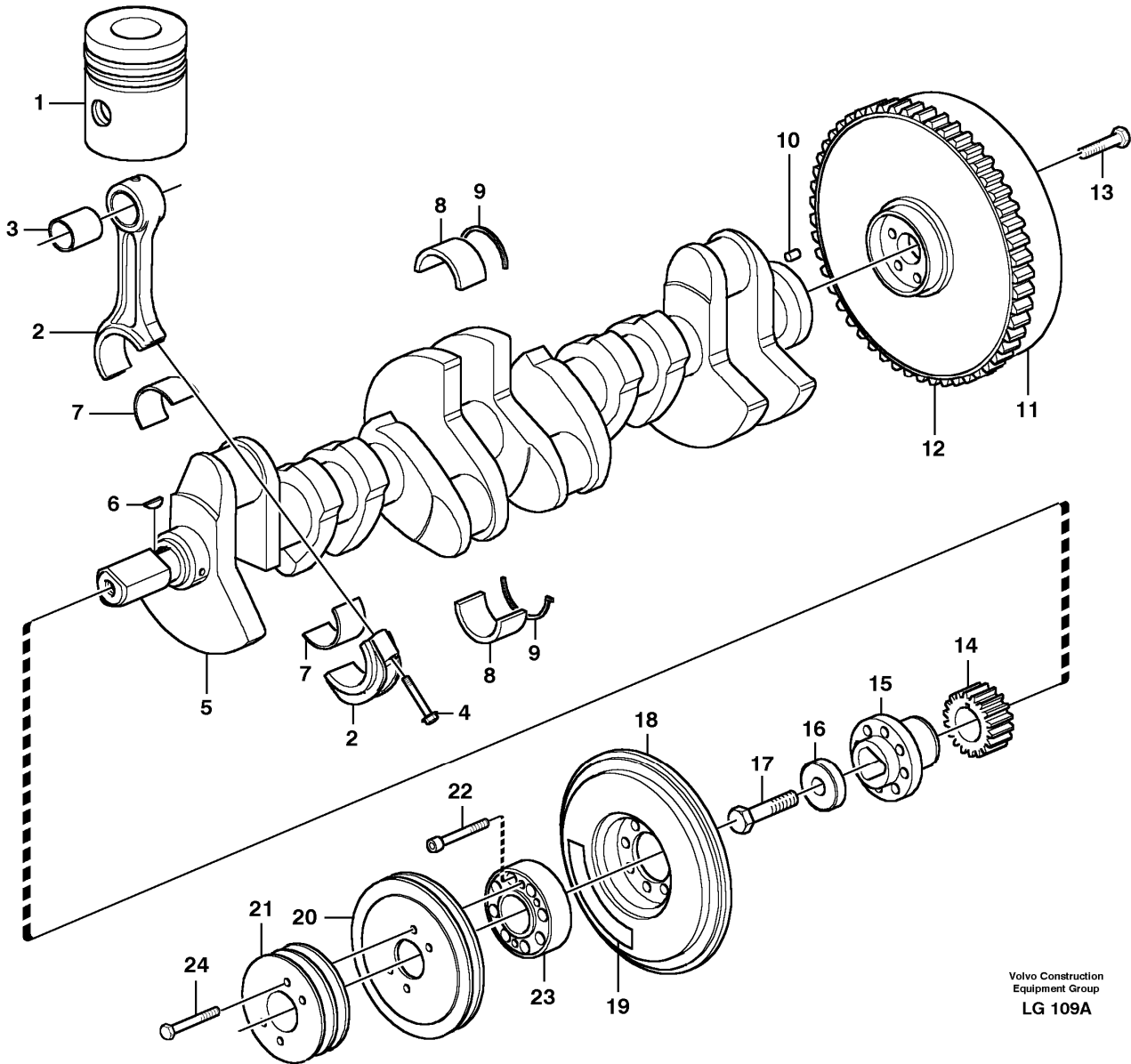
12		1							Gear		Servopump/Servo.p See ref 914/50
13		1							Gear		Waterpump/ Vattenpump See ref 262/100
14		1							Gear		Inject.pump/ Insprpump See ref 236/300
15		1							Gear		Oil pump / oljepump See ref 221/100
16		1							Gear		Oil pump/Oljepump See ref 221/100
17	VOE8192590	1							Tmg Gear Cover		
18	VOE477118	1							•Sealing ring		
19	VOE13947760	7							•Flange screw		L = 40: (947760)
	VOE13948217	2							•Flange screw		L = 45: (948217)
	VOE13965216	1							•Screw		L = 55: (965216)
	VOE13965182	6							•Flange screw		L = 80: (965182)
	VOE13965183	2							•Flange screw		L = 90: (965183)
	VOE965225	1							•Flange screw		M12, L = 35
20	VOE465735	1							Cap		
21	VOE925094	1							O-ring		
22	VOE946472	2							Flange screw		L = 30
	VOE13965187	2							Flange screw		L = 60: (965187)
23	VOE955895	2							Washer		
24	VOE471559	1							Cap		
25	VOE925257	1							O-ring		
26	VOE13945444	3							Flange screw		(VOE945444)
27	VOE13941907	3							Spring Washer		(VOE941907)
28	VOE967951	3							Stud		
29	VOE955899	3							Washer		
30	VOE13971097	3							Flange nut		(VOE965484)
31	VOE420178	1							Cover		
32	VOE13975610	1							O-ring		(VOE413619)
33	VOE1502028	1							Eng Sp Sensor		
34	VOE13947624	1							Plane Gasket		
35	VOE863412	1							Sleeve		
36	VOE925059	1							O-ring		(14012270)

Date: 2013/10/14	Image id: LG108A	Catalogue: 99533	Model: EC200
Brand: Volvo	Serial: 2760-9999	Group/Section: 215/200	Title: Camshaft



Pos	Part	Q1	Q2	Q3	Q4	Q5	PS	Kit	Description	Option(s)	Remark
1	VOE465787	1							Camshaft		
2	VOE950588	1							•Pin		
3	VOE465789	1							Flange		
4		7							Bearing bushing		See ref 212/100
5	VOE471509	2							Screw		
6	VOE471528	1							Gear		
7	VOE471554	3							Screw		
8	VOE421067	12							Tappet		
9	VOE420021	12							Rod		

Date: 2013/10/14	Image id: LG109A	Catalogue: 99533	Model: EC200
Brand: Volvo	Serial: 2760-9999	Group/Section: 216/100	Title: Crankshaft and related parts

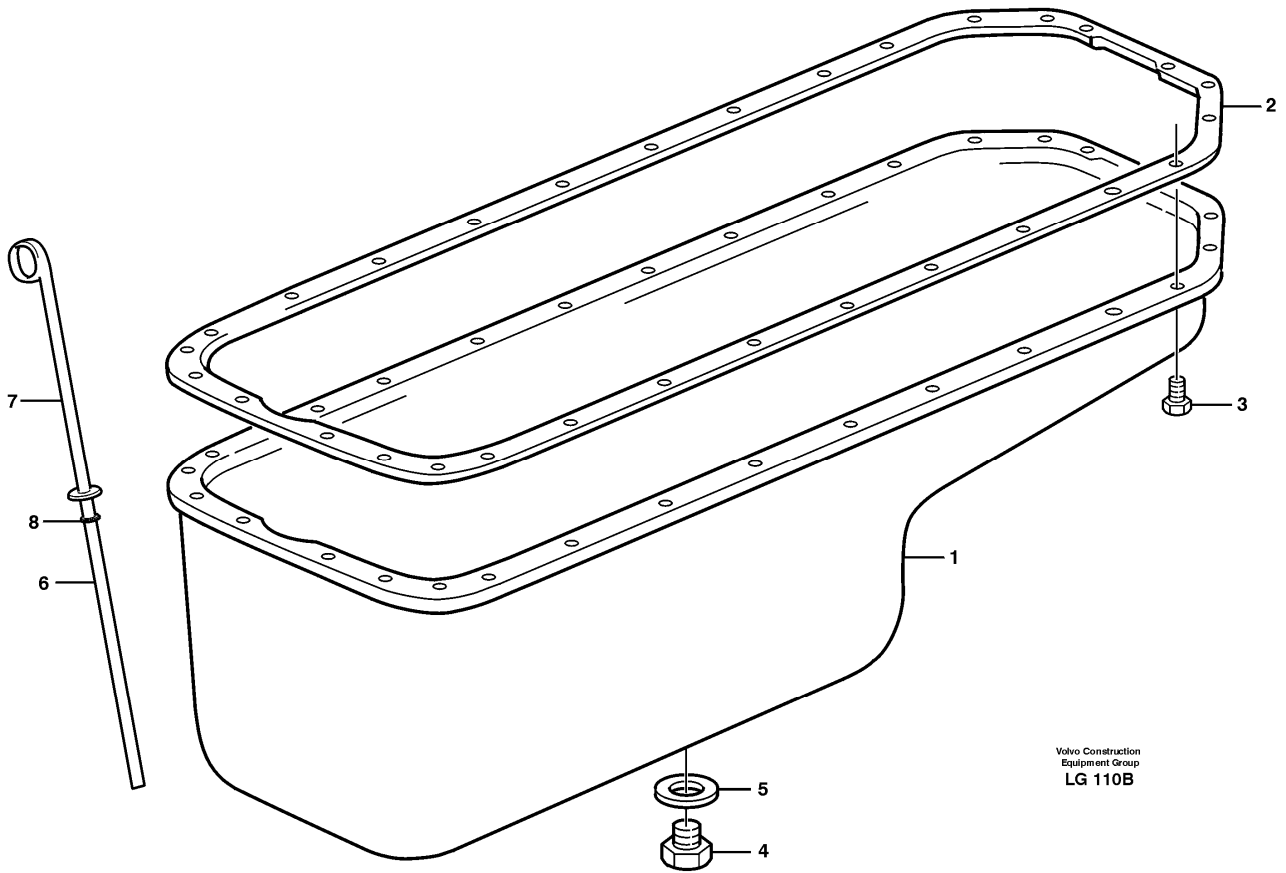


Volvo Construction
Equipment Group
LG 109A

Pos	Part	Q1	Q2	Q3	Q4	Q5	PS	Kit	Description	Option(s)	Remark
1		6							Cylinder liner kit		See ref 213/100
2	VOE8192120	6					SS		Connecting Rod		
3	VOE465816	6							•Bushing		
4	VOE465815	12							•Screw		
5	VOE420662	1					SS		Crankshaft		ENG - 106089, 6 hole
	VOE8192122	1					SS		Crankshaft		ENG 106090 -, 9 hole

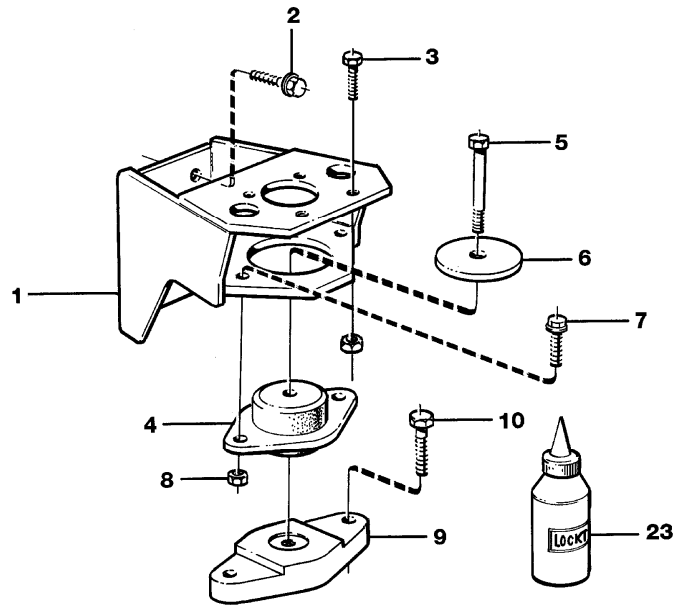
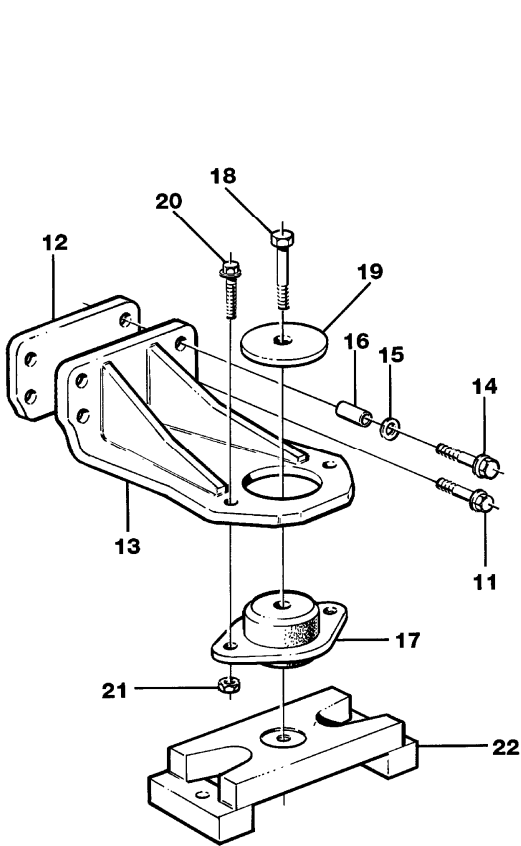
6	VOE422253	1							•Key		
7		6							Big end brg kit		See ref 210/100
8		7							Mn bearing kit		
9		1							Thrust washer kit		See ref 210/100
10	VOE950677	1							Pin		
11	VOE864260	1					OP		Flywheel		ENG - 106089, 6 hole
	VOE3825732	1							Flywheel		ENG 106090 -, 9 hole
12	VOE420314	1							•Gear Ring		(VOE420067)
13	VOE465825	6-9							Screw		
14	VOE471528	1							Gear		
15	VOE4772218	1							Hub		
16	VOE420124	1							Washer		
17	VOE470366	1							Screw		
18	VOE421515	1							Vib Damper		
19	VOE467834	1							Sign		
20	VOE4772217	1							Strap		
21	VOE4772220	1							Strap		
22	VOE4772247	8							Screw		
23	VOE465779	1							Hub		
24	VOE13965187	4							Flange screw		

Date: 2013/10/14	Image id: LG110B	Catalogue: 99533	Model: EC200
Brand: Volvo	Serial: 2760-9999	Group/Section: 217/100	Title: Oil sump



Pos	Part	Q1	Q2	Q3	Q4	Q5	PS	Kit	Description	Option(s)	Remark
1	VOE11162235	1							Oil Pan		(VOE465622)
2	VOE11030778	1							Gasket		(865341)
3	VOE946440	34							Flange screw		
4	VOE13949175	1							Magnetic Plug		(949175)
5	VOE949329	1							Gasket		
6	VOE862055	1							Pipe		
7	VOE11030836	1							Oil dipstick		
8	VOE955984	1							O-ring		

Date: 2013/10/14	Image id: LG469	Catalogue: 99533	Model: EC200
Brand: Volvo	Serial: 2760-9999	Group/Section: 218/200	Title: Engine mounting



Volvo Construction
Equipment Group
LG 469

Pos	Part	Q1	Q2	Q3	Q4	Q5	PS	Kit	Description	Option(s)	Remark
1	VOE14341798	2							Engine anchorage		
2	VOE13965191	8							Screw		
3	VOE13946817	4							Screw		RH - REAR
4	VOE14343641	2							Rubber cushion		
5	VOE13955374	2							Screw		
6	VOE14342464	2							Washer		
7	VOE13965192	4							Screw		
8	VOE13971090	8							Lock nut		
9	VOE14341801	2							Adapter		
10	VOE13955366	4							Screw		
11	VOE13965194	7							Screw		
12	VOE14341881	2							Spacer		
13	VOE14343182	2							Engine anchorage		
14	VOE965197	1							Flange screw		(VOE13965197)
15	VOE14015146	1							Washer		

16	VOE14252182	1							Spacer		
17	VOE14343640	2							Rubber cushion		
18	VOE13955374	2							Screw		
19	VOE14342464	2							Washer		
20	VOE13965192	4							Screw		
21	VOE13971090	4							Lock nut		
22	VOE14342044	2							Adapter		
23	VOE14024293	ERF					OP		Locking fluid		

Thank you so much for reading.
Please click the “Buy Now!”
button below to download the
complete manual.



After you pay.

You can download the most
perfect and complete manual in
the world immediately.

Our support email:

ebooklibonline@outlook.com