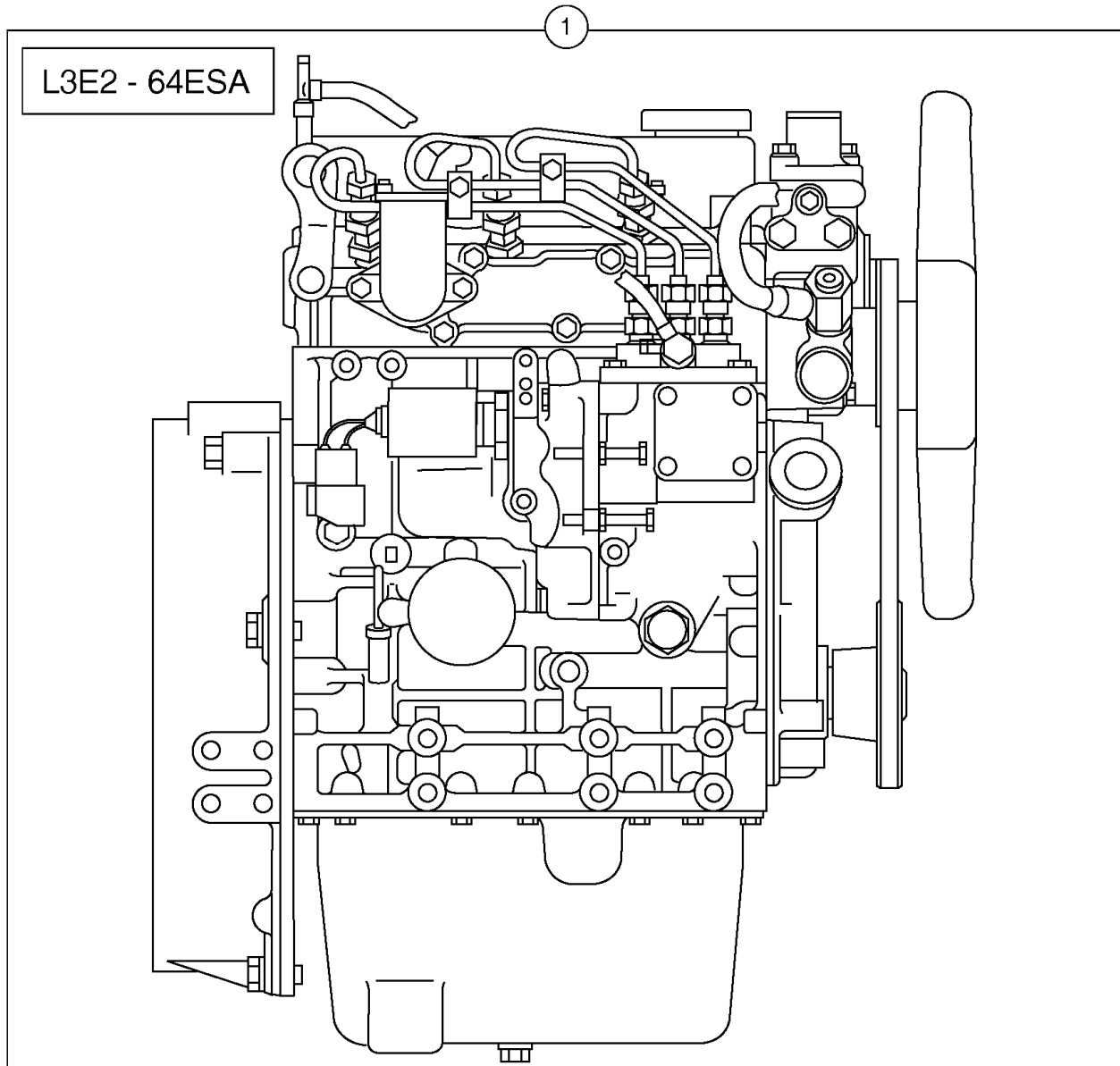


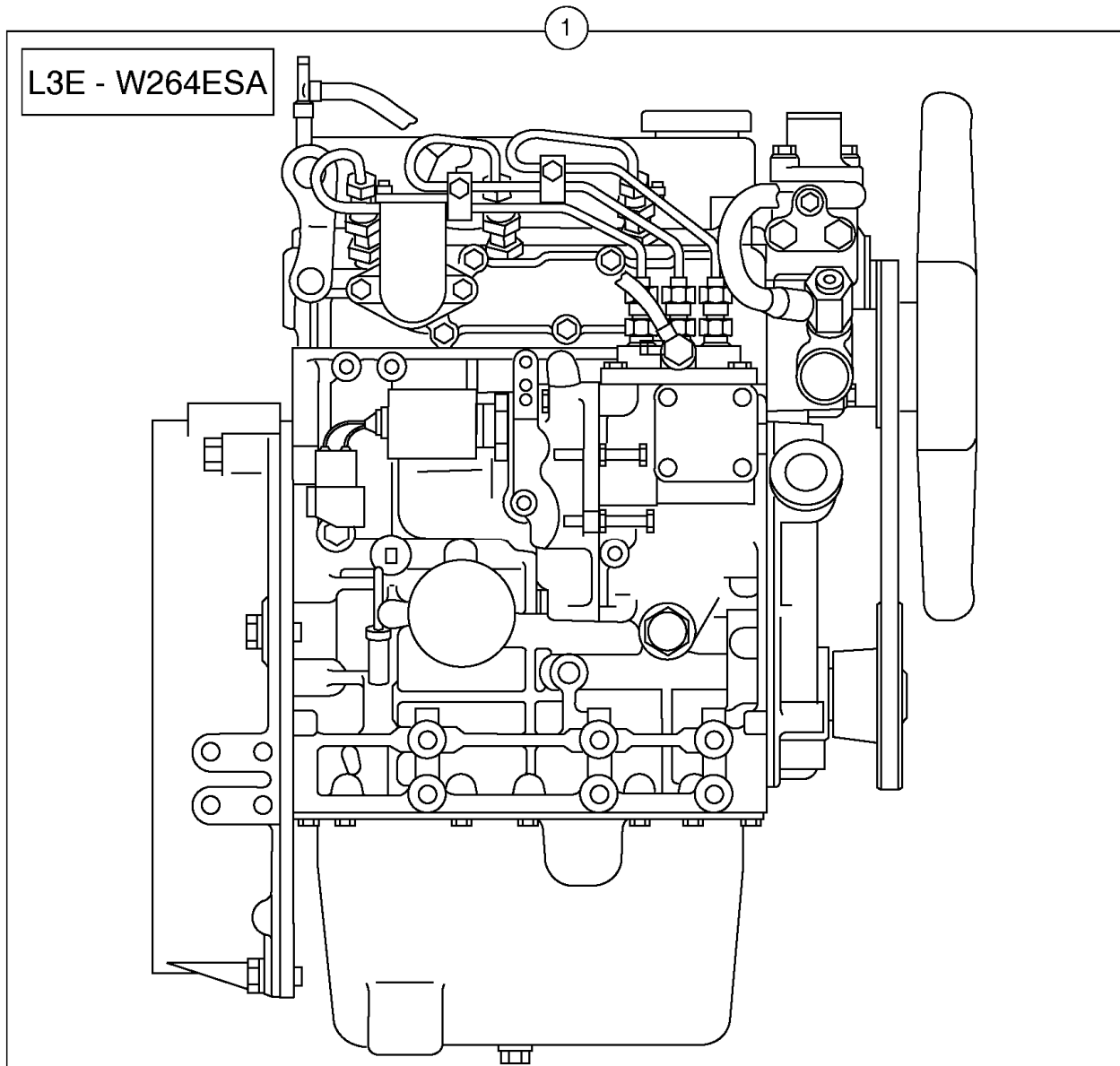
Date: 2013/11/27	Image id: 210Z1	Catalogue: 10019	Model: EC20B XT
Brand: Volvo	Serial: 60151-80000	Group/Section: 210/100	Title: Equipped engine L3E2-64ESA



Q1-Q5	Option	Option description	
Q1.			
Q2.			

Pos	Part	Q1	Q2	Q3	Q4	Q5	PS	Kit	Description	Option(s)	Remark
1	VOE11800860	1	1						Engine		L3E2-64ESA

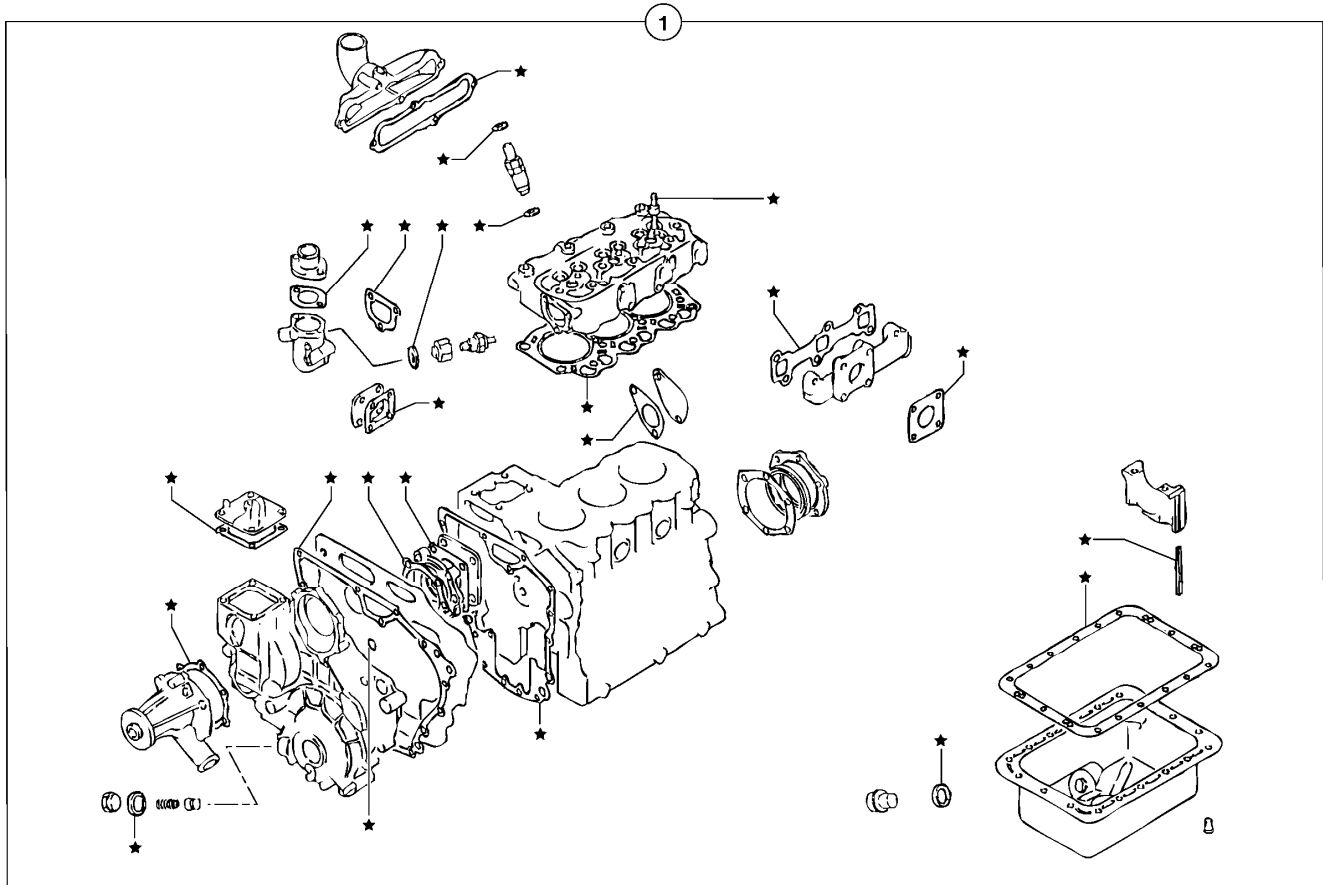
Date: 2013/11/27	Image id: 210NZ1	Catalogue: 10019	Model: EC20B XT
Brand: Volvo	Serial: 60151-80000	Group/Section: 210/200	Title: Equipped engine L3E-W264ESA



Q1-Q5	Option	Option description	
Q1 .			
Q2 .			

Pos	Part	Q1	Q2	Q3	Q4	Q5	PS	Kit	Description	Option(s)	Remark
1	VOE11800862	1	1						Engine		L3E-W264ESA

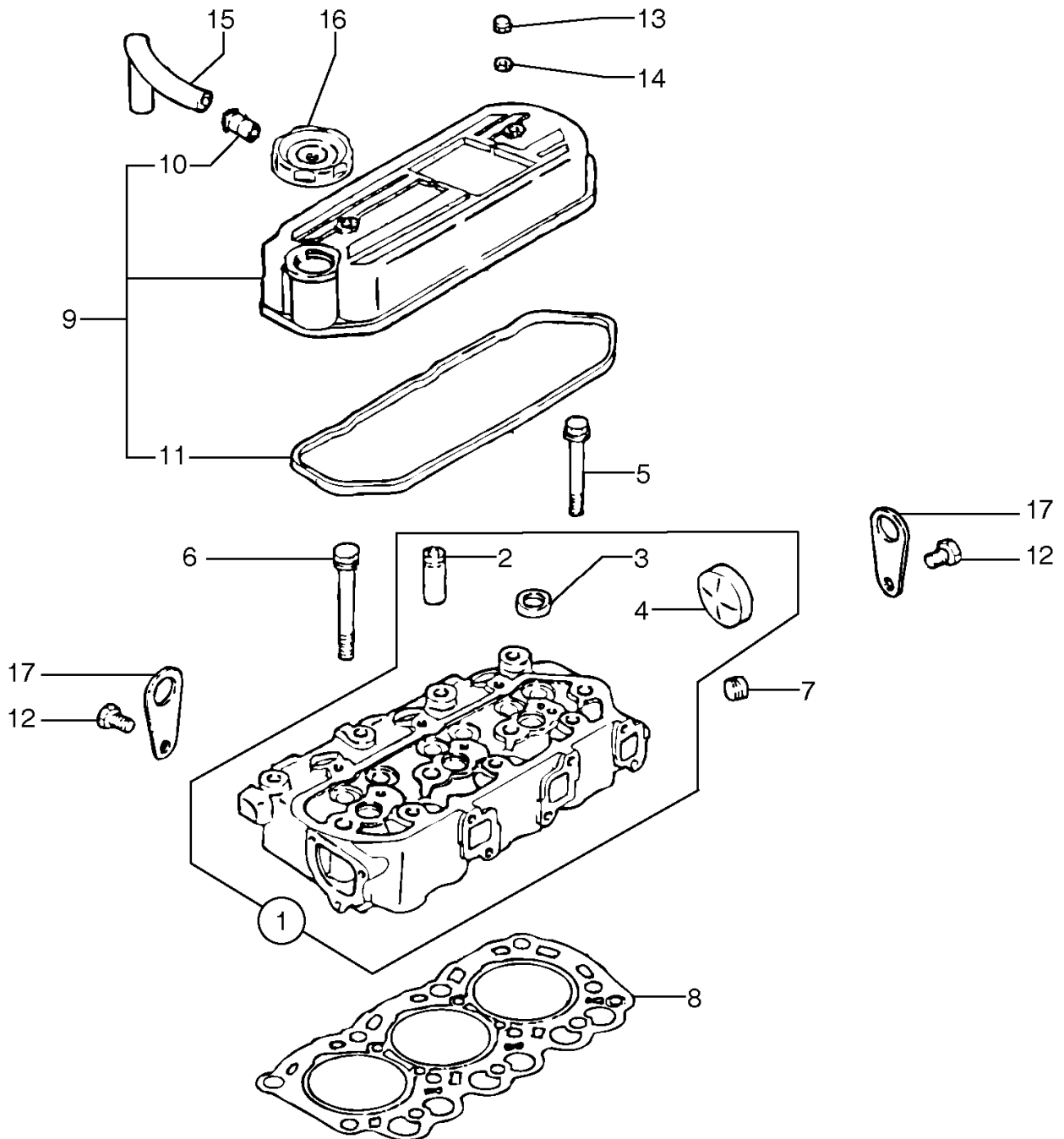
Date: 2013/11/27	Image id: 210PZ1	Catalogue: 10019	Model: EC20B XT
Brand: Volvo	Serial: 60151-80000	Group/Section: 210/300	Title: Engine gasket kit



Q1-Q5	Option	Option description	
Q1 272.60151			
Q2 272.80151			

Pos	Part	Q1	Q2	Q3	Q4	Q5	PS	Kit	Description	Option(s)	Remark
1	PJ7418513	1	1						Seal kit		

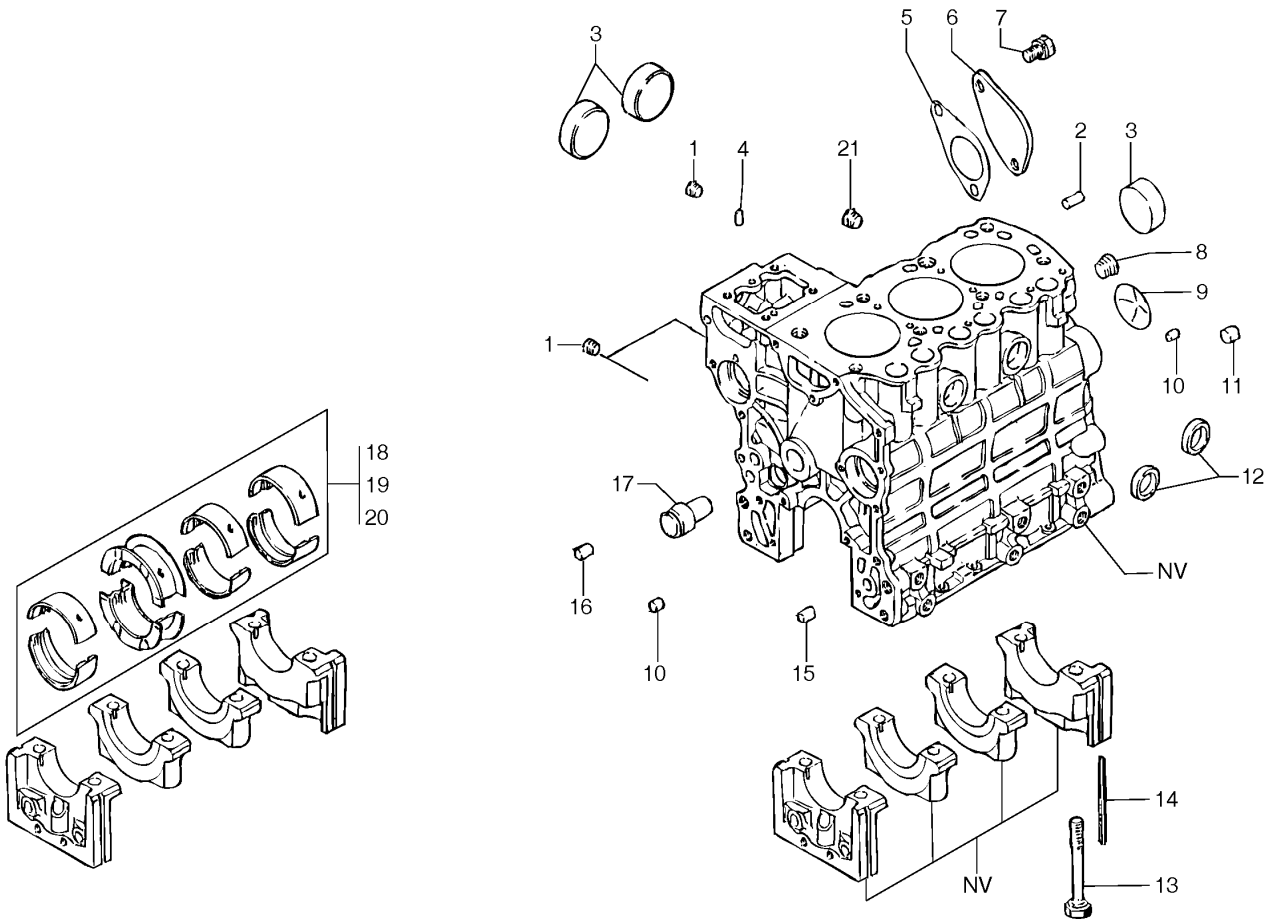
Date: 2013/11/27	Image id: 211Z1	Catalogue: 10019	Model: EC20B XT
Brand: Volvo	Serial: 60151-80000	Group/Section: 211/100	Title: Cylinder head



Q1-Q5	Option	Option description	
Q1 272.60151			
Q2 272.80151			

Pos	Part	Q1	Q2	Q3	Q4	Q5	PS	Kit	Description	Option(s)	Remark
1	PJ7417039	1	1						Cylinder head		L3E2-64ESA
1	PJ7412995	1	1						Cylinder head		L3E-W264ESA
2	PJ7410611	6	6						•Giude		
3	PJ7410609	3	3						•Sealing		
4	PJ7410577	1	1						•Plug		
5	PJ7410587	3	3						Bolt		
6	PJ7417085	8	8						Bolt		
7	PJ7410691	1	1						Plug		
8	PJ7415738	1	1						Cyl Head Gasket		
9	PJ7418418	1	1						Cover		
10		1	1				NS		•Nipple		
11	PJ7412914	1	1						•Seal		
12	PJ7410097	2	2				SS		Screw		
13	PJ7410599	2	2						Nut		
14	PJ7410123	2	2				SS		Washer		
15	PJ7410665	1	1						Tube		
16	PJ11712227	1	1						Filler cap		
17	PJ7410628	2	2				OP		Support		

Date: 2013/11/27	Image id: 212Z1	Catalogue: 10019	Model: EC20B XT
Brand: Volvo	Serial: 60151-80000	Group/Section: 212/100	Title: Cylinder block

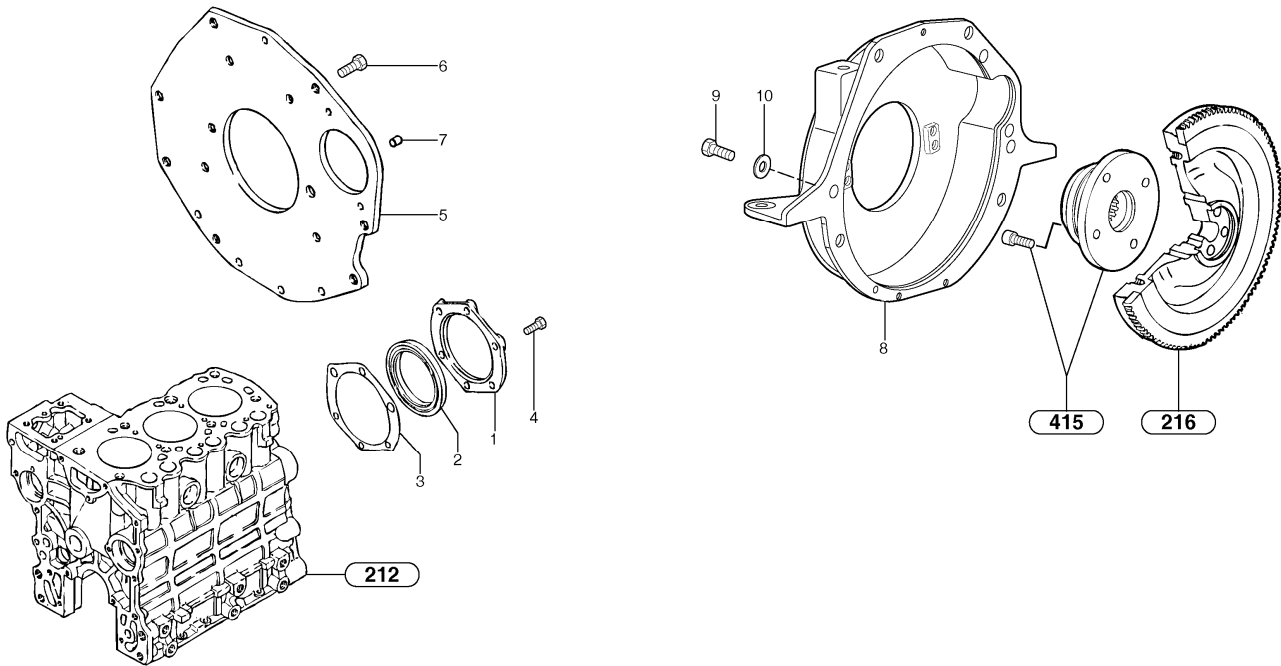


Q1-Q5	Option	Option description	
Q1 272.60151			
Q2 272.80151			

Pos	Part	Q1	Q2	Q3	Q4	Q5	PS	Kit	Description	Option(s)	Remark
1	PJ7417041	3	3						Plug		
2	PJ7410129	1	1						Centraliser		
3	PJ7410577	3	3						Plug		
4	PJ7410287	2	2						Centraliser		
5	PJ7418420	1	1						Seal		
6		1	1				NS		Plate		
7	PJ4380042	2	2						Screw		
8	PJ7410692	1	1						Plug		
9	PJ7410608	1	1						Plug		
10	PJ7410688	2	2						Bushing		

11	PJ7410690	3	3						Bushing		
12	PJ7410144	2	2						Plug		
13	PJ7418419	8	8						Bolt		
14	PJ7410625	4	4						Seal		
15	PJ7410689	1	1						Bushing		
16	PJ7410404	2	2						Bushing		
17	PJ7415739	1	1						Shaft		
18	PJ7413155	1	1						Bearings (kit)		STD
19	PJ7413156	1	1						Bearings (kit)		0,25 mm, 0.0098 in
20	PJ7413157	1	1						Bearings (kit)		0,50 mm, 0.0197 in
21	PJ7410039	1	1						Plug		

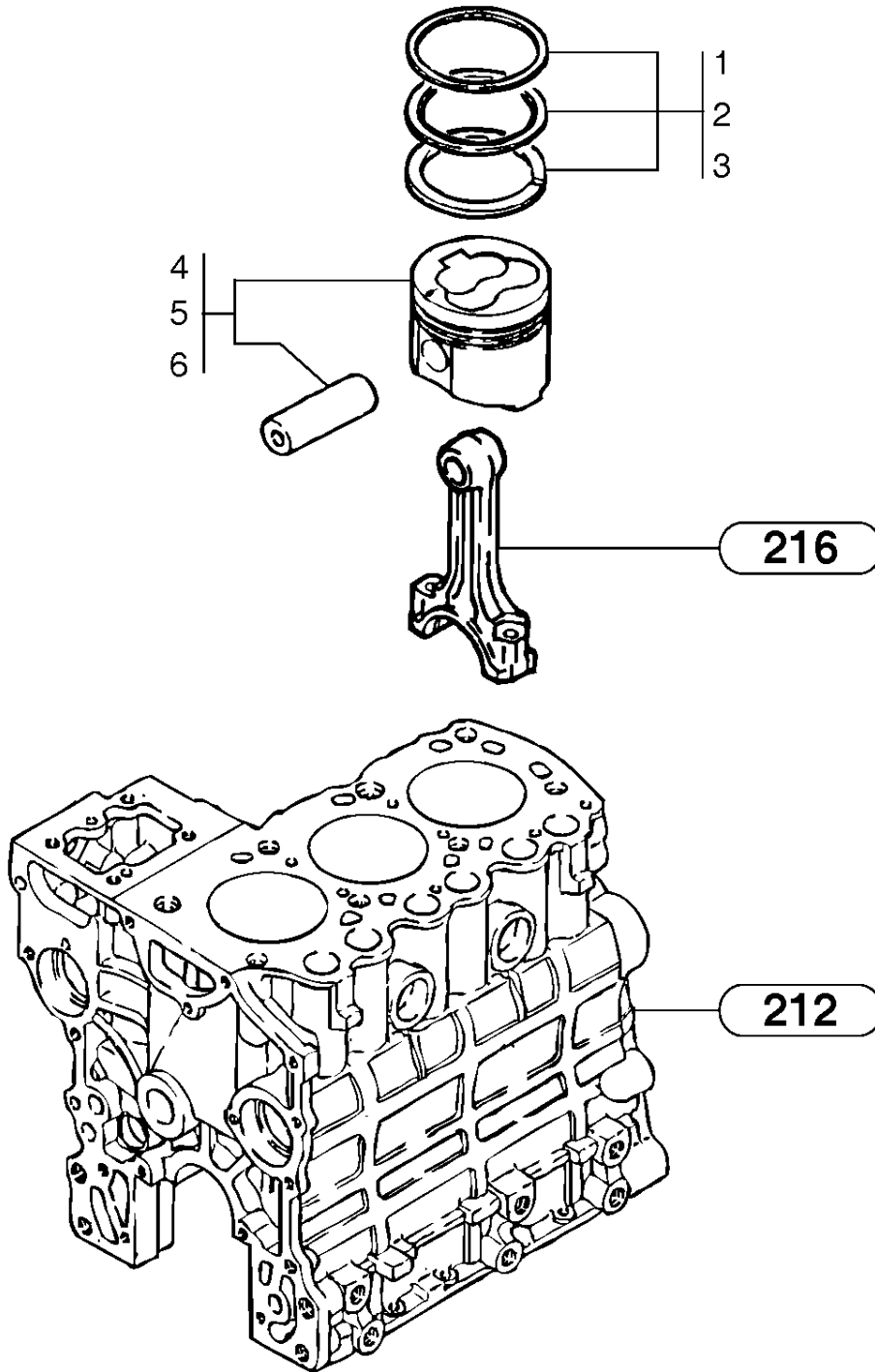
Date: 2013/11/27	Image id: 2125Z1	Catalogue: 10019	Model: EC20B XT
Brand: Volvo	Serial: 60151-80000	Group/Section: 212/500	Title: Flywheel housing



Q1-Q5	Option	Option description	
Q1 272.60151			
Q2 272.80151			

Pos	Part	Q1	Q2	Q3	Q4	Q5	PS	Kit	Description	Option(s)	Remark
1	PJ7410615	1	1						Flange		
2	PJ7410585	1	1						Seal		
3	PJ7410626	1	1						Seal		
4	PJ4380032	6	6						Screw		
5		1	1				NS		Plate		
6	PJ7416472	6	6						Attachment kit		
7	PJ7412990	1	1						Centraliser		
8	PJ5030096	1	1						Flywheel housing		
9	PJ4380172	6	6						Screw		HM12X20
10	VOE955897	6	6						Washer		13x24x2

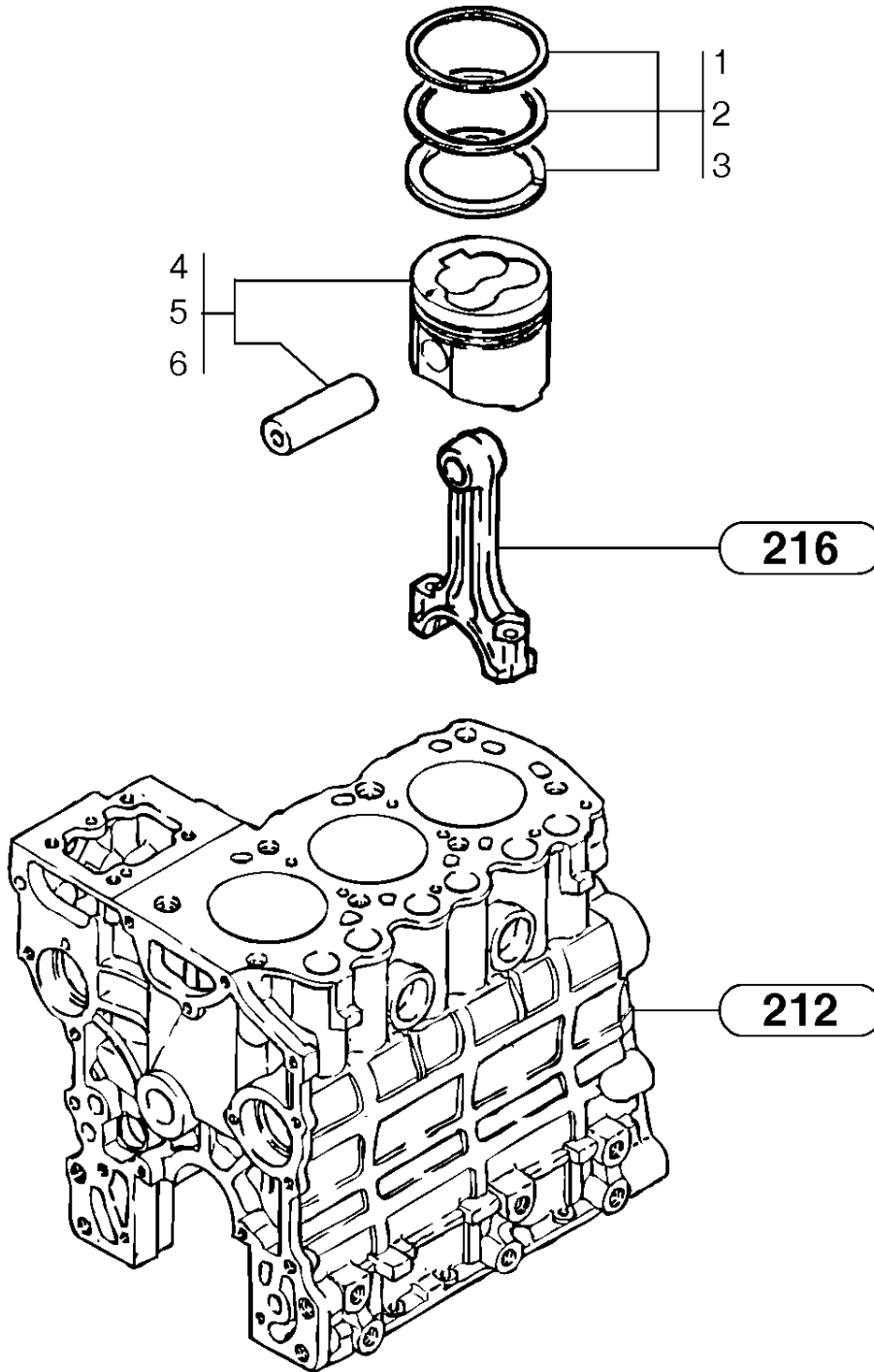
Date: 2013/11/27	Image id: 213Z1	Catalogue: 10019	Model: EC20B XT
Brand: Volvo	Serial: 60151-80000	Group/Section: 213/100	Title: Pistons



Q1-Q5	Option	Option description	
Q1 L3E2-64ESA			

Pos	Part	Q1	Q2	Q3	Q4	Q5	PS	Kit	Description	Option(s)	Remark
1	PJ7410666	3							Piston rings (kit)		STD
2	PJ7411182	3							Piston rings (kit)		0,25 mm, 0.0098 in
3	PJ7411183	3							Piston rings (kit)		0,50 mm, 0.0197 in
4	PJ7418421	3							Piston		STD
5	PJ7418422	3							Piston		0,25 mm, 0.0098 in
6	PJ7418423	3							Piston		0,50 mm, 0.0197 in

Date: 2013/11/27	Image id: 213NZ1	Catalogue: 10019	Model: EC20B XT
Brand: Volvo	Serial: 60151-80000	Group/Section: 213/200	Title: Pistons L3E-W264ESA

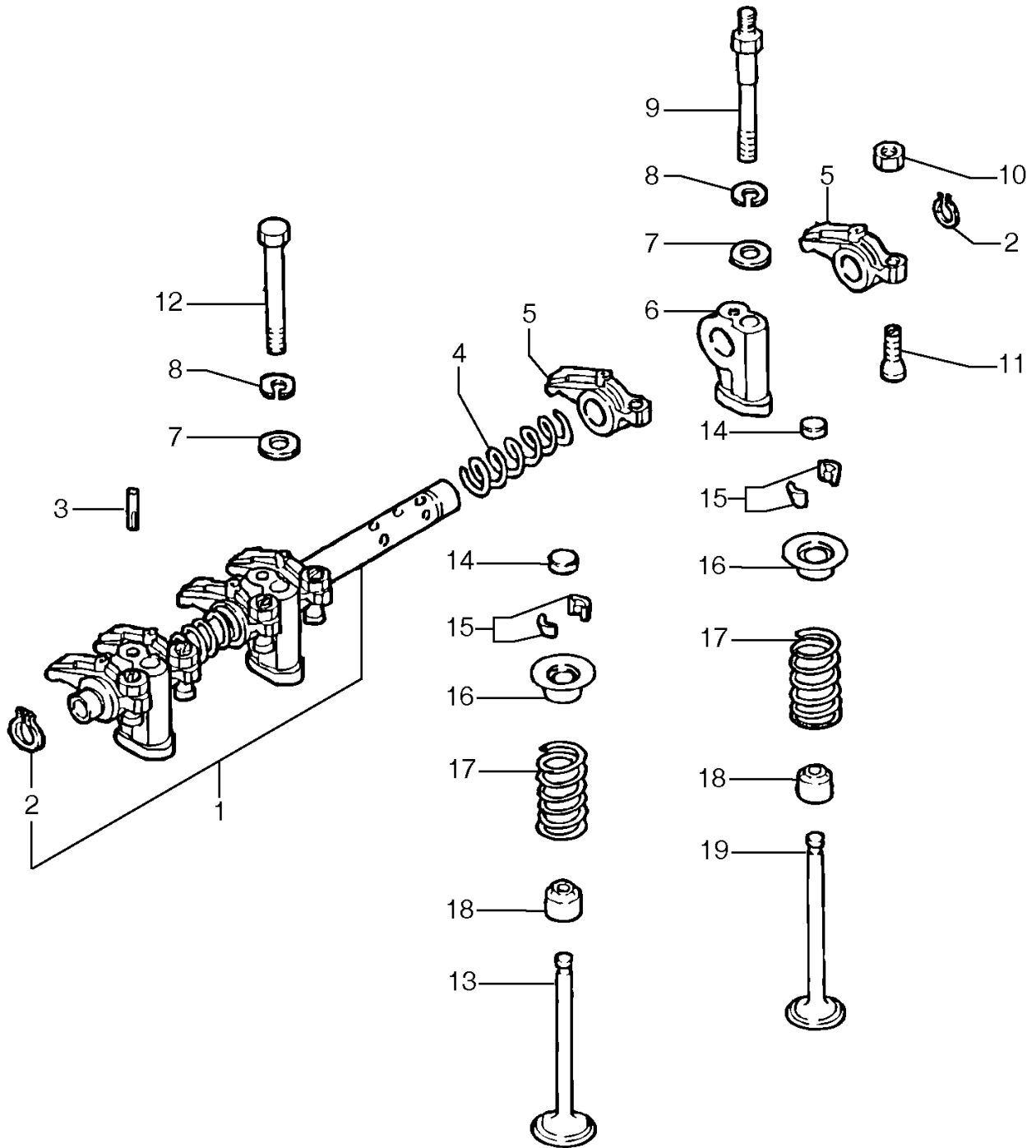


Q1-Q5	Option	Option description	
Q1.			

Q2.			
-----	--	--	--

Pos	Part	Q1	Q2	Q3	Q4	Q5	PS	Kit	Description	Option(s)	Remark
1	PJ7410666	3	3						Piston rings (kit)		STD
2	PJ7411182	3	3						Piston rings (kit)		0,25 mm, 0.0098 in
3	PJ7411183	3	3						Piston rings (kit)		0,50 mm, 0.0197 in
4	PJ7418424	3	3						Piston		STD
5	PJ7418425	3	3						Piston		0,25 mm, 0.0098 in
6	PJ7418426	3	3						Piston		0,50 mm, 0.0197 in

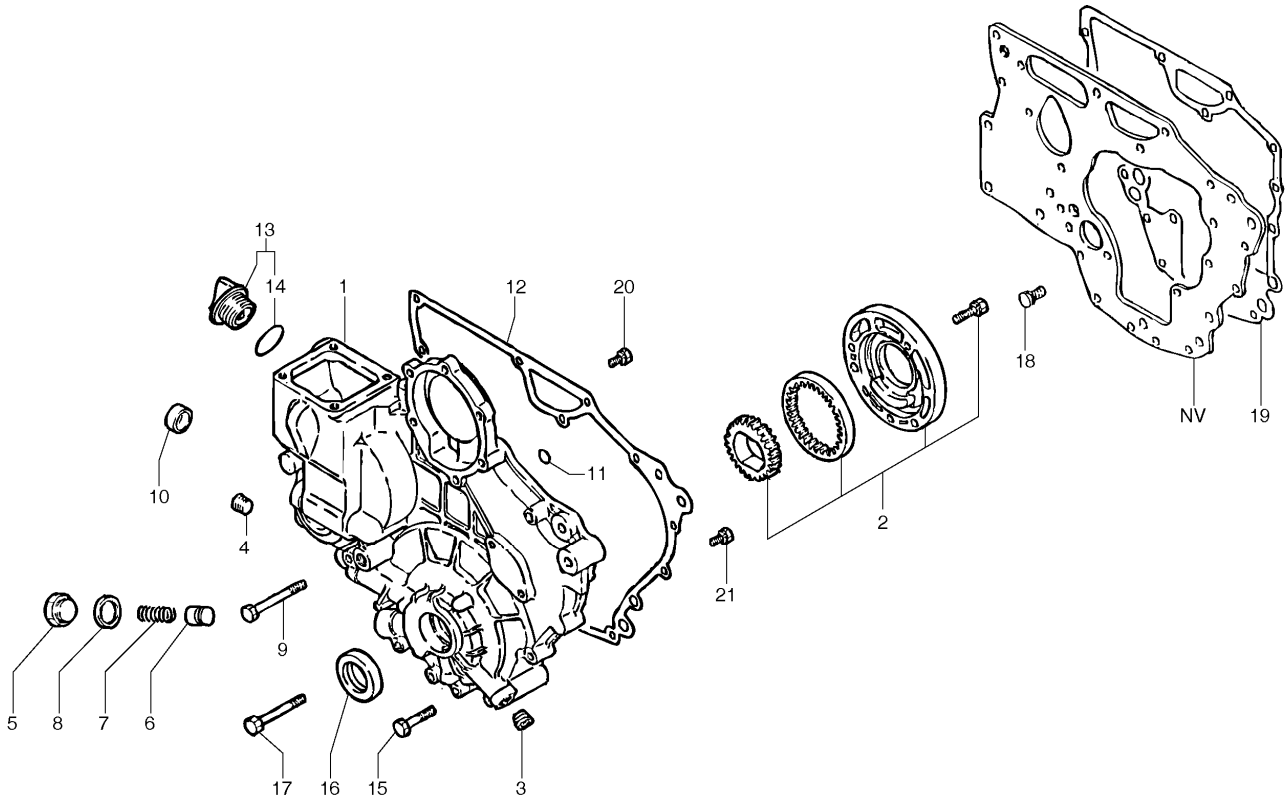
Date: 2013/11/27	Image id: 214Z1	Catalogue: 10019	Model: EC20B XT
Brand: Volvo	Serial: 60151-80000	Group/Section: 214/100	Title: Rocker arm shaft



Q1-Q5	Option	Option description	
Q1 272.60151			
Q2 272.80151			

Pos	Part	Q1	Q2	Q3	Q4	Q5	PS	Kit	Description	Option(s)	Remark
1	PJ7418433	1	1						Rocker Arm Shaft		
2	PJ7410605	2	2						Snap Ring		
3	PJ7410622	1	1						Pin		
4	PJ7410612	2	2						Spring		
5	PJ7410657	6	6						Rocker Arm		
6	PJ7410613	3	3						Support		
7	PJ7410402	3	3						Washer		
8	PJ4470014	3	3						Lock Washer		
9	PJ7410669	2	2						Stud		
10	VOE983302	6	6						Hexagon nut		
11	PJ7410658	6	6						Screw		
12	PJ7411295	1	1						Screw		
13	PJ7410620	3	3						Inlet valve		
14	PJ7414924	6	6						Cap		
15	PJ7410056	12	12						Stop		
16	PJ7410655	6	6						Washer		
17	PJ7410638	6	6						Spring		
18	PJ7414430	6	6						Seal		
19	PJ7410621	3	3				SS		Exhaust Valve		

Date: 2013/11/27	Image id: 215Z1	Catalogue: 10019	Model: EC20B XT
Brand: Volvo	Serial: 60151-80000	Group/Section: 215/100	Title: Timing gear casing

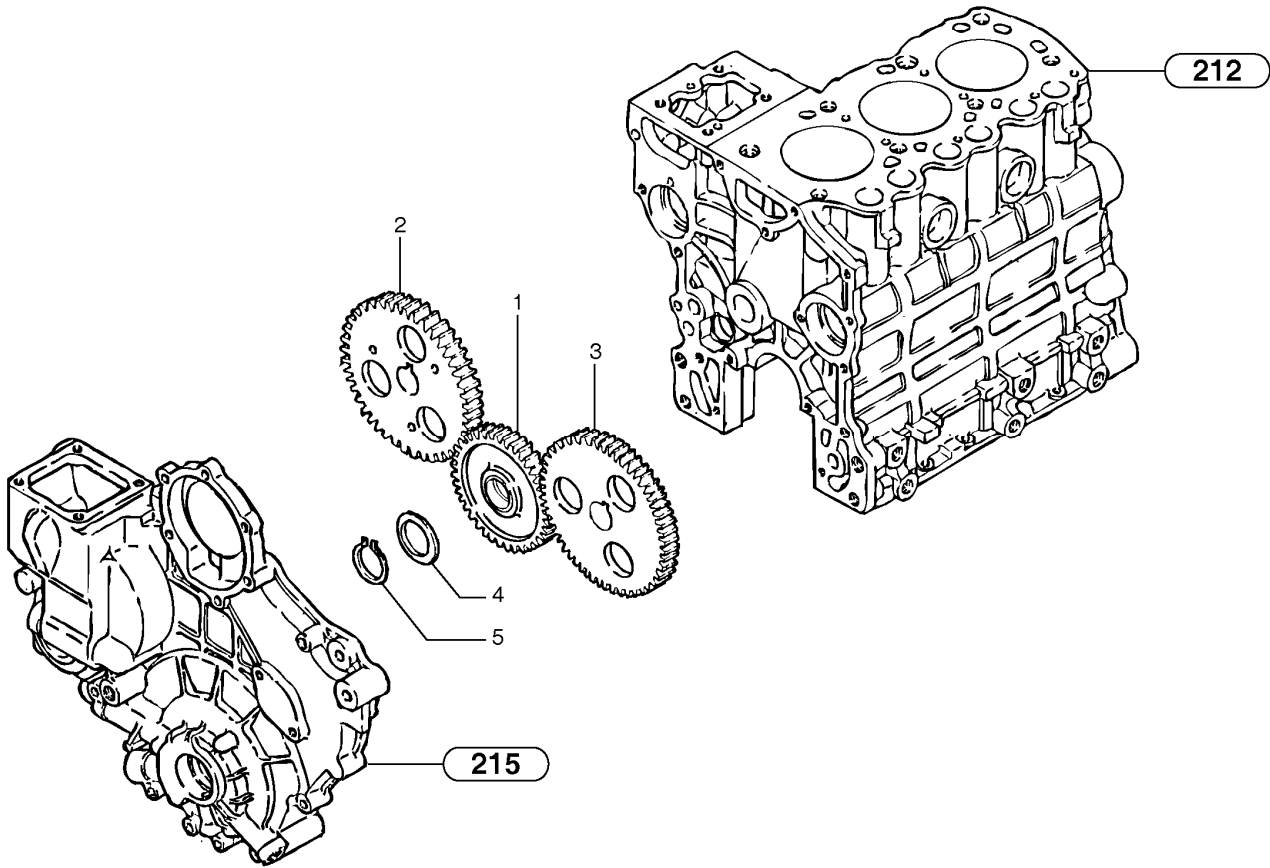


Q1-Q5	Option	Option description	
Q1 272.60151			
Q2 272.80151			

Pos	Part	Q1	Q2	Q3	Q4	Q5	PS	Kit	Description	Option(s)	Remark
1	PJ7415741	1	1						Oil Pan		
2		1	1						•Oil pump		See ref 221/100
3	PJ7410408	1	1						•Plug		
4	PJ7410691	1	1						•Plug		
5	PJ7410579	1	1						•Plug		
6	PJ7410047	1	1						•Plunger		
7	PJ7410659	1	1						•Spring		
8	PJ11715851	1	1						•Seal		
9	PJ7410594	1	1						Screw		
10	PJ7410627	1	1						Plug		
11	PJ7410603	2	2						O-ring		
12	PJ7418368	1	1						Seal		
13	VOE11716698	1	1						Oil Filler Cap		(PJ7410610)

14	VOE15018325	1	1						O-ring		
15	PJ7410592	3	3						Screw		
16	PJ7410580	1	1						Sealing		
17	PJ7410593	4	4						Screw		
18	PJ4380030	7	7						Screw		
19	PJ7418432	1	1						Seal		
20	PJ4380042	3	3						Screw		
21	PJ4380030	4	4						Screw		

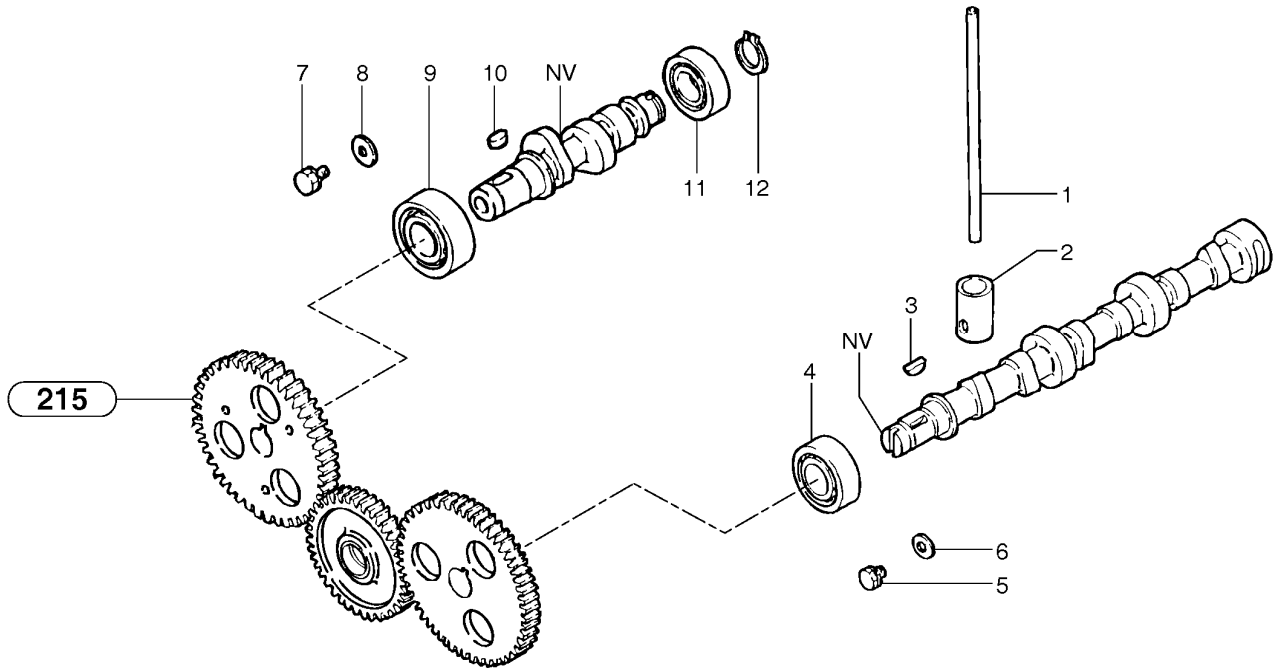
Date: 2013/11/27	Image id: 215AZ1	Catalogue: 10019	Model: EC20B XT
Brand: Volvo	Serial: 60151-80000	Group/Section: 215/300	Title: Timing gears



Q1-Q5	Option	Option description	
Q1 272.60151			
Q2 272.80151			

Pos	Part	Q1	Q2	Q3	Q4	Q5	PS	Kit	Description	Option(s)	Remark
1	PJ7418429	1	1						Gear		
2	PJ7418430	1	1						Gear		
3	PJ7418428	1	1						Gear		
4	PJ7415183	1	1						Washer		
5	PJ7415178	1	1						Snap Ring		

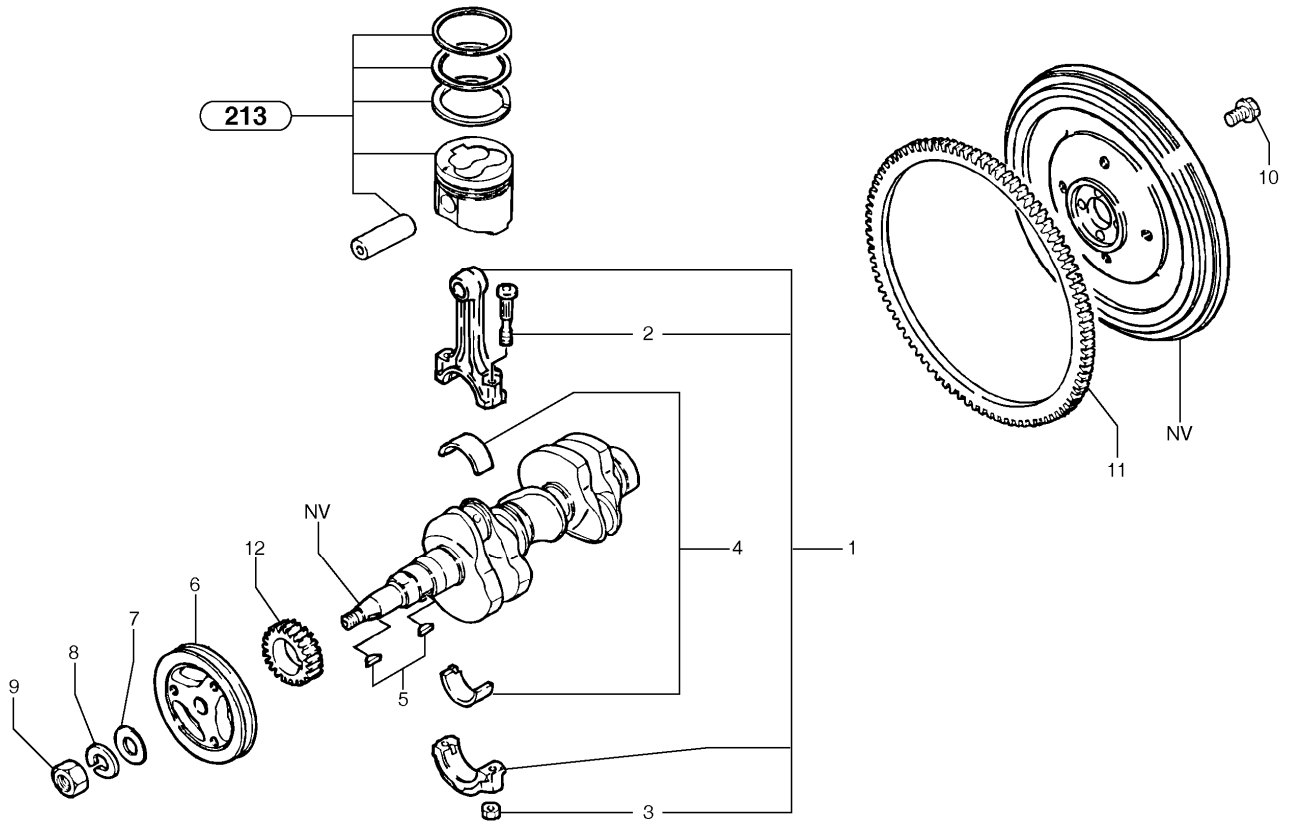
Date: 2013/11/27	Image id: 215BZ1	Catalogue: 10019	Model: EC20B XT
Brand: Volvo	Serial: 60151-80000	Group/Section: 215/400	Title: Camshaft



Q1-Q5	Option	Option description	
Q1 272.60151			
Q2 272.80151			

Pos	Part	Q1	Q2	Q3	Q4	Q5	PS	Kit	Description	Option(s)	Remark
1	PJ7410656	6	6						Rod		
2	PJ7410651	6	6						Tappet		
3	PJ7410602	1	1						Key		
4	PJ7410617	1	1						Ball bearing		
5	PJ4380031	1	1						Screw		
6	PJ7410629	1	1						Washer		
7	PJ4380031	1	1						Screw		
8	PJ7410629	1	1						Washer		
9	PJ7410617	1	1						Ball bearing		
10	PJ7410131	1	1						Key		
11	PJ7410618	1	1						Ball bearing		
12	PJ7410606	1	1						Snap Ring		

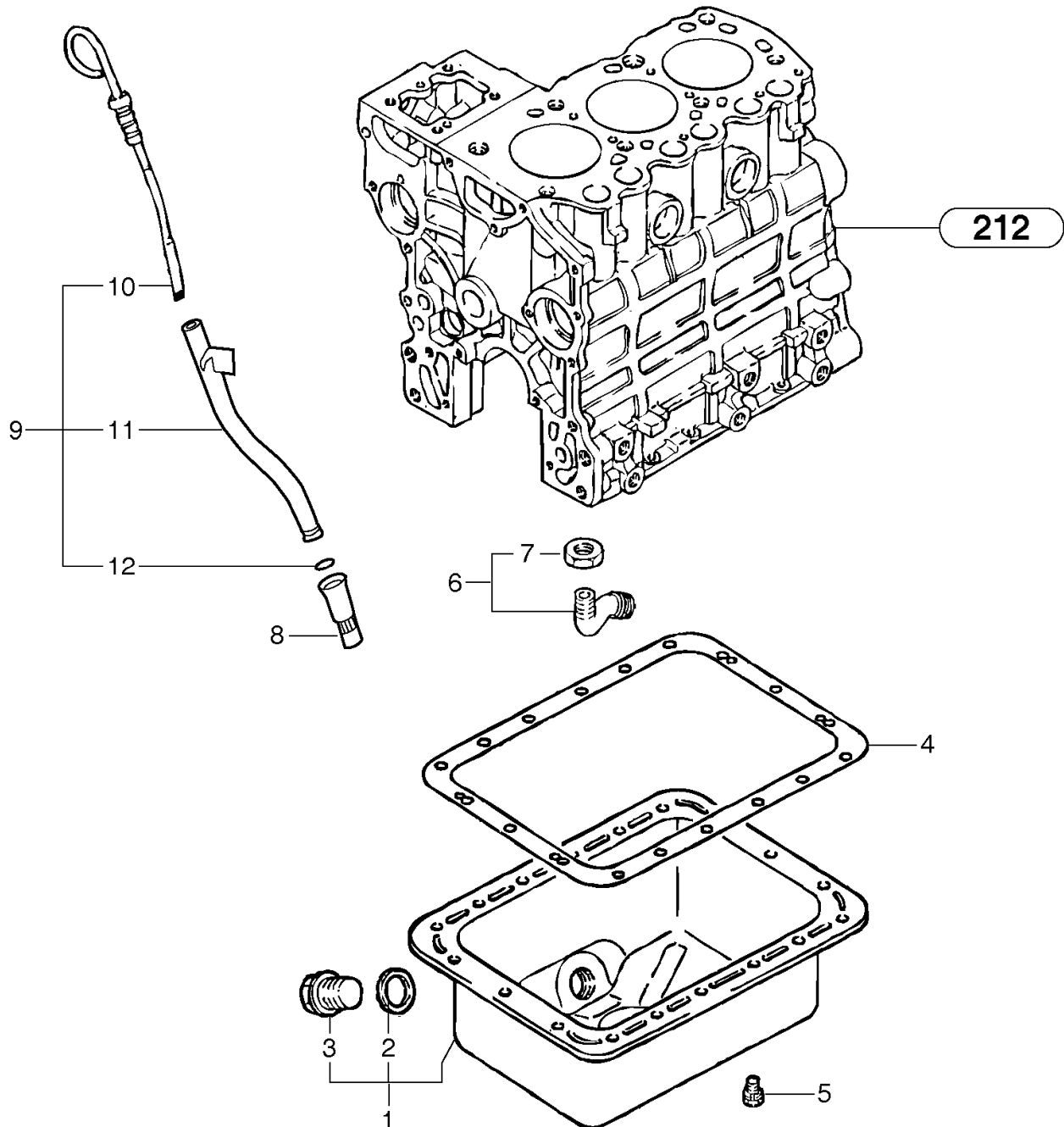
Date: 2013/11/27	Image id: 216Z1	Catalogue: 10019	Model: EC20B XT
Brand: Volvo	Serial: 60151-80000	Group/Section: 216/100	Title: Connecting rods



Q1-Q5	Option	Option description	
Q1 272.60151			
Q2 272.80151			

Pos	Part	Q1	Q2	Q3	Q4	Q5	PS	Kit	Description	Option(s)	Remark
1	PJ7417045	3	3						Piston rod		
2	PJ7410578	6	6						•Screw		
3	PJ7410045	6	6						•Nut		
4	VOE11716691	3	3						Connecting Rod		(PJ7413017)STD
4	VOE11716692	3	3						Connecting Rod		(PJ7413018)0,25 mm, 0.0098 in
4	PJ7411185	3	3						Bearings (kit)		0,50 mm, 0.0197 in
5	PJ7410602	2	2						Key		
6	PJ7415745	1	1						Pulley		
7	PJ7410600	1	1						Washer		
8	PJ7410601	1	1						Lock Washer		
9	PJ7410598	1	1						Nut		
10	PJ4300026	4	4						Screw		

Date: 2013/11/27	Image id: 217Z1	Catalogue: 10019	Model: EC20B XT
Brand: Volvo	Serial: 60151-80000	Group/Section: 217/100	Title: Lubrication oil sump

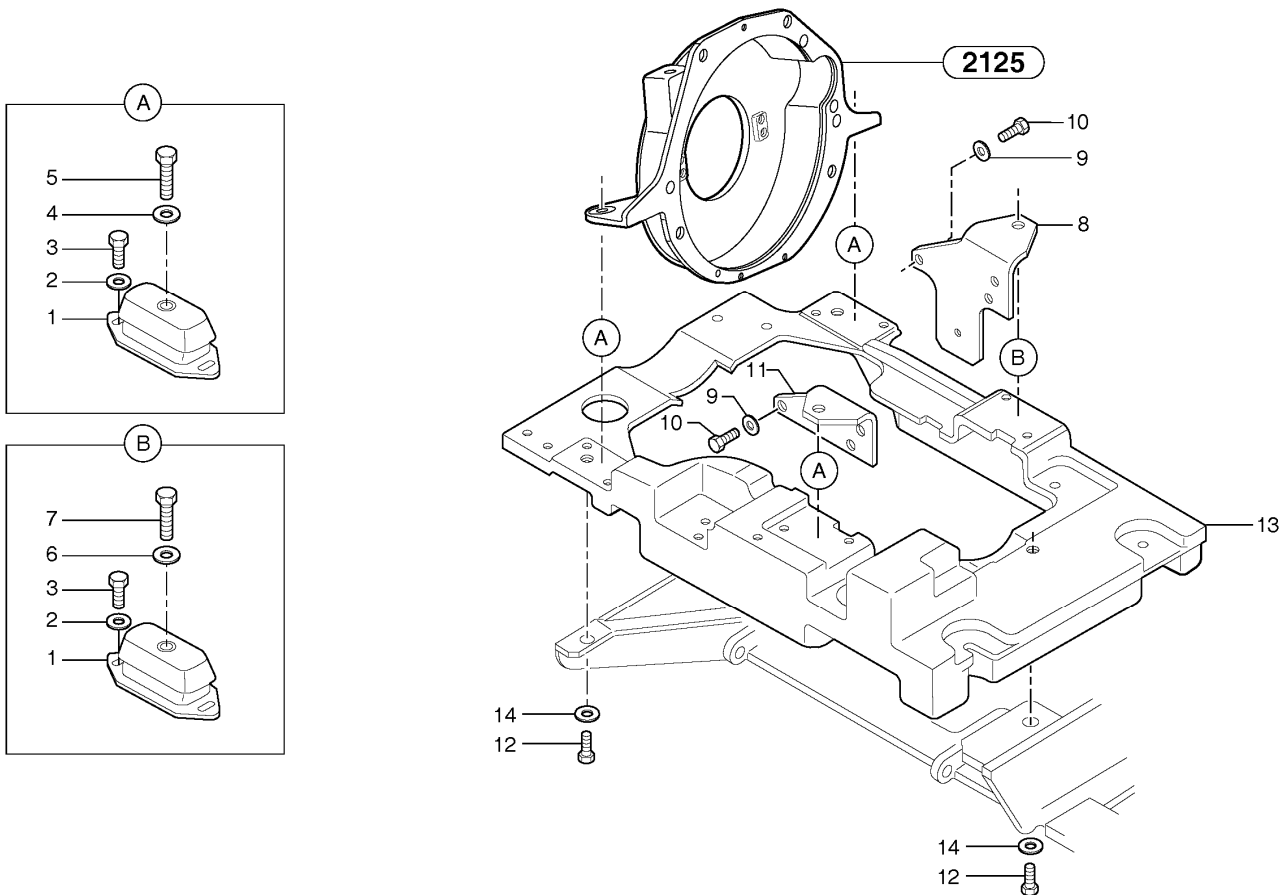


Q1-Q5	Option	Option description	
Q1	272.60151		
Q2	272.80151		

Pos	Part	Q1	Q2	Q3	Q4	Q5	PS	Kit	Description	Option(s)	Remark
-----	------	----	----	----	----	----	----	-----	-------------	-----------	--------

1	PJ7413163	1	1						Oil pan		
2	VOE11715851	1	1						•Sealing		(PJ7410040)
3	PJ7410041	1	1						•Plug		
4	PJ7418431	1	1						Seal		
5	PJ4380031	18	18						Screw		
6	PJ7413011	1	1						Strainer		
7	PJ7410727	1	1						•Nut		
8	PJ7411338	1	1						Giude		
9	PJ7417046	1	1				NS		Dipstick		
10	PJ7416846	1	1						•Dipstick		
11	PJ7417087	1	1						•Giude		
12	PJ4040050	1	1						•O-ring		

Date: 2013/11/27	Image id: 218Z2	Catalogue: 10019	Model: EC20B XT
Brand: Volvo	Serial: 60151-80000	Group/Section: 218/100	Title: Engine mounts

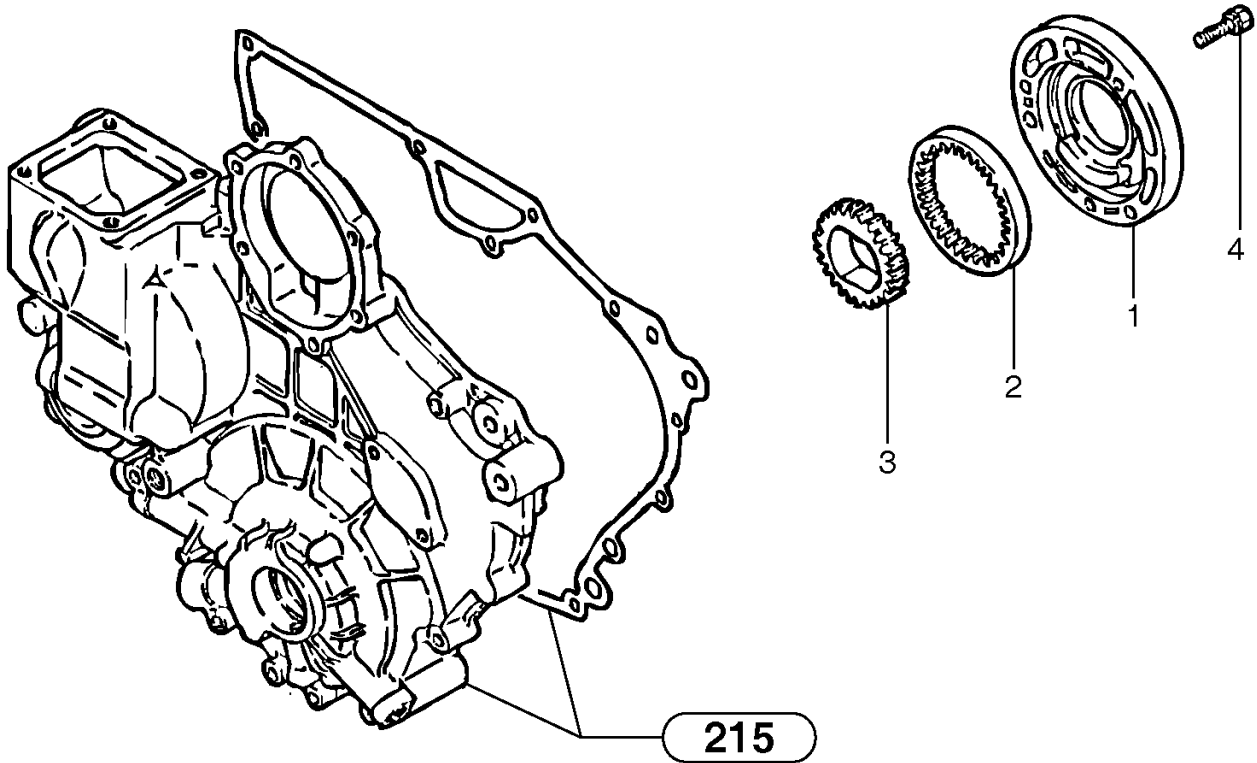


Q1-Q5	Option	Option description	
Q1 272.60151			
Q2 272.80151			

Pos	Part	Q1	Q2	Q3	Q4	Q5	PS	Kit	Description	Option(s)	Remark
1	VOE11802279	4	4						Bump rubber		(PJ5140405)
2	VOE960148	8	8						Washer		10.5x22x2
3	VOE967634	8	8						Hex. socket screw		CHC M10x20
4	VOE955897	3	3						Washer		13x24x2
5	VOE978932	3	3						Hexagon screw		M12x30
6	VOE13930908	1	1						Washer		13x27x4
7	VOE978933	1	1						Hexagon screw		H M12x40
8	PJ3560630	1	1						Engine Bracket		
9	VOE960148	6	6						Washer		10.5x22x2
10	PJ4370015	6	6						Screw		HM10X25
11	PJ3560339	1	1						Support		

12	VOE978932	3	3						Hexagon screw		M12x30
13	VOE11805723	1	1						Cradle		(PJ5610023)
14	VOE955897	3	3						Washer		13x24x2

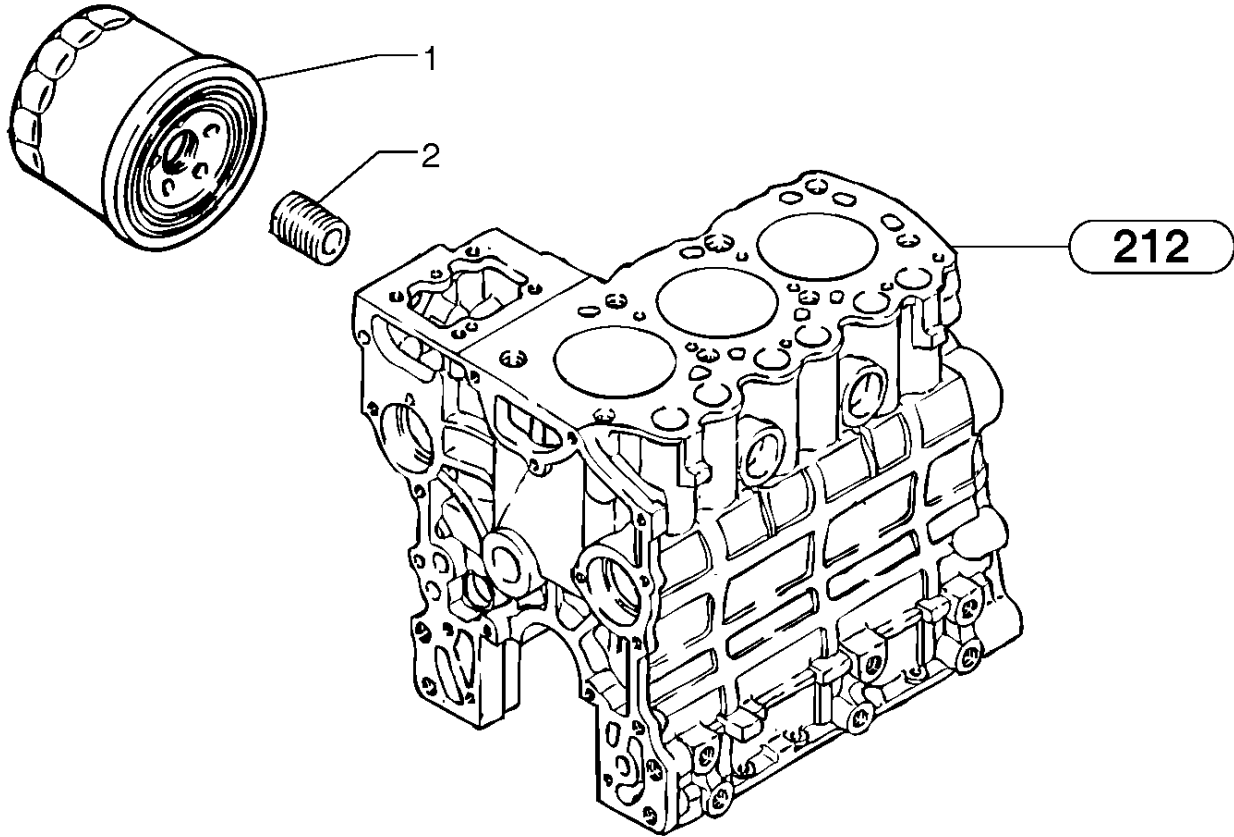
Date: 2013/11/27	Image id: 221Z1	Catalogue: 10019	Model: EC20B XT
Brand: Volvo	Serial: 60151-80000	Group/Section: 221/100	Title: Lubricating oil pump



Q1-Q5	Option	Option description	
Q1 272.60151			
Q2 272.80151			

Pos	Part	Q1	Q2	Q3	Q4	Q5	PS	Kit	Description	Option(s)	Remark
1	PJ7410671	1	1						Oil pump housing		
2	PJ7410582	1	1						Crown Wheel		
3	PJ7410581	1	1						Pinion		
4	PJ4380034	3	3						Screw		

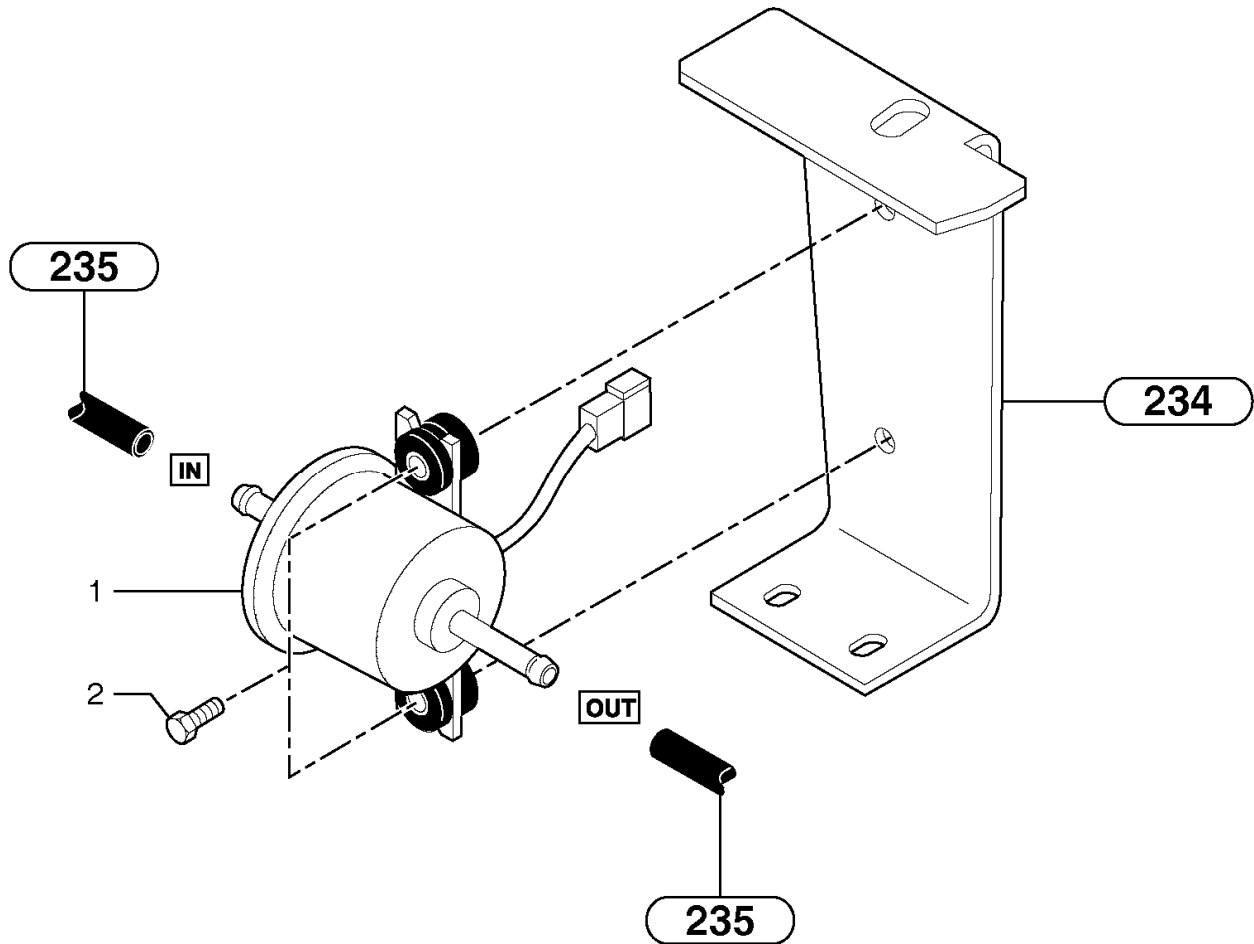
Date: 2013/11/27	Image id: 222Z1	Catalogue: 10019	Model: EC20B XT
Brand: Volvo	Serial: 60151-80000	Group/Section: 222/100	Title: Oil filter



Q1-Q5	Option	Option description	
Q1 272.60151			
Q2 272.80151			

Pos	Part	Q1	Q2	Q3	Q4	Q5	PS	Kit	Description	Option(s)	Remark
1	VOE11715849	1	1						Oil filter		(PJ7410062)
2	PJ7417040	1	1						Stub Axle		

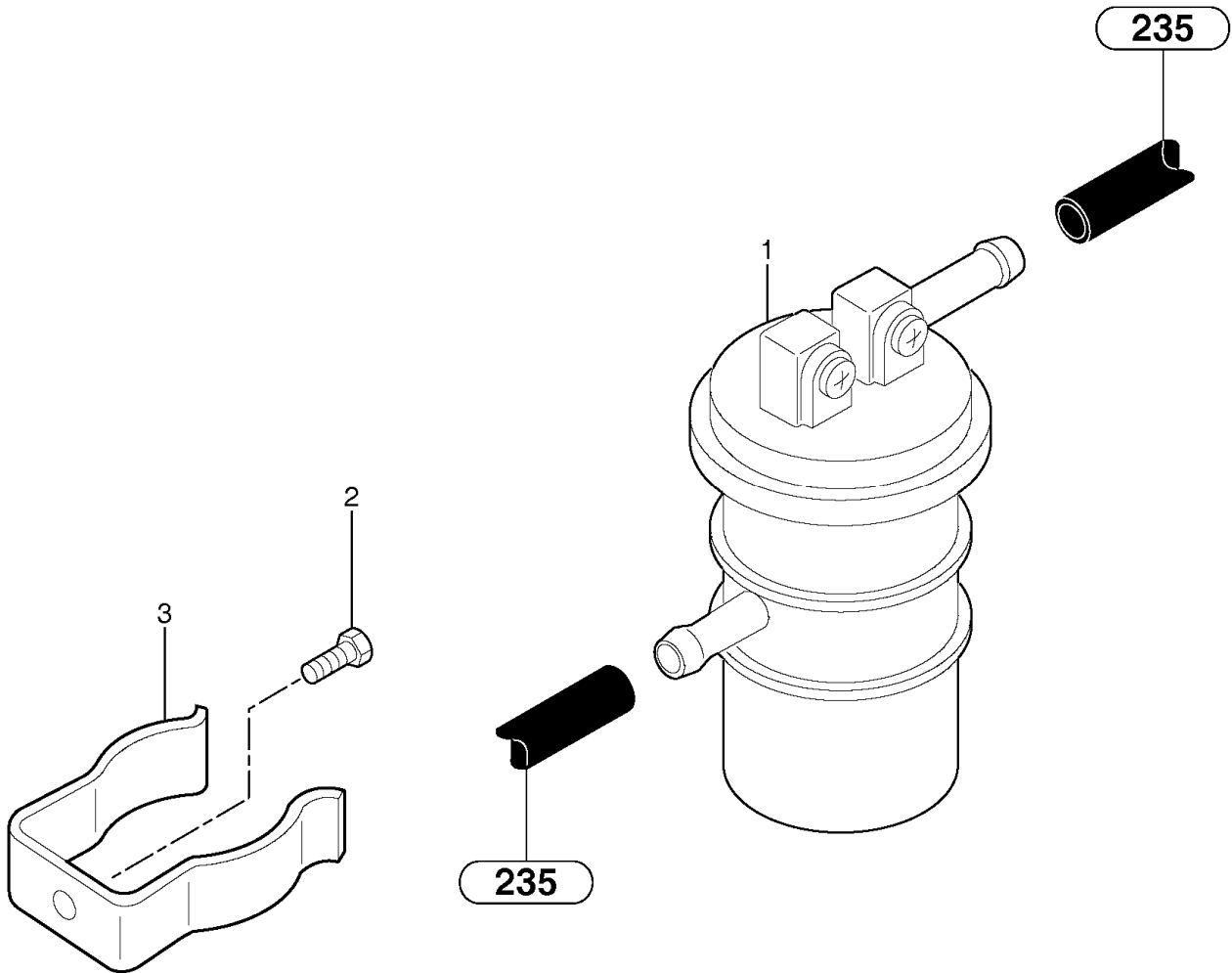
Date: 2013/11/27	Image id: 2331Z1	Catalogue: 10019	Model: EC20B XT
Brand: Volvo	Serial: 60151-80000	Group/Section: 233/100	Title: Fuel pump



Q1-Q5	Option	Option description	
Q1 272.60151			
Q2 272.80151			

Pos	Part	Q1	Q2	Q3	Q4	Q5	PS	Kit	Description	Option(s)	Remark
1	VOE11802736	1	1				SS		Pump		(PJ5350139)
2	VOE946934	2	2						Flange screw		M6x20

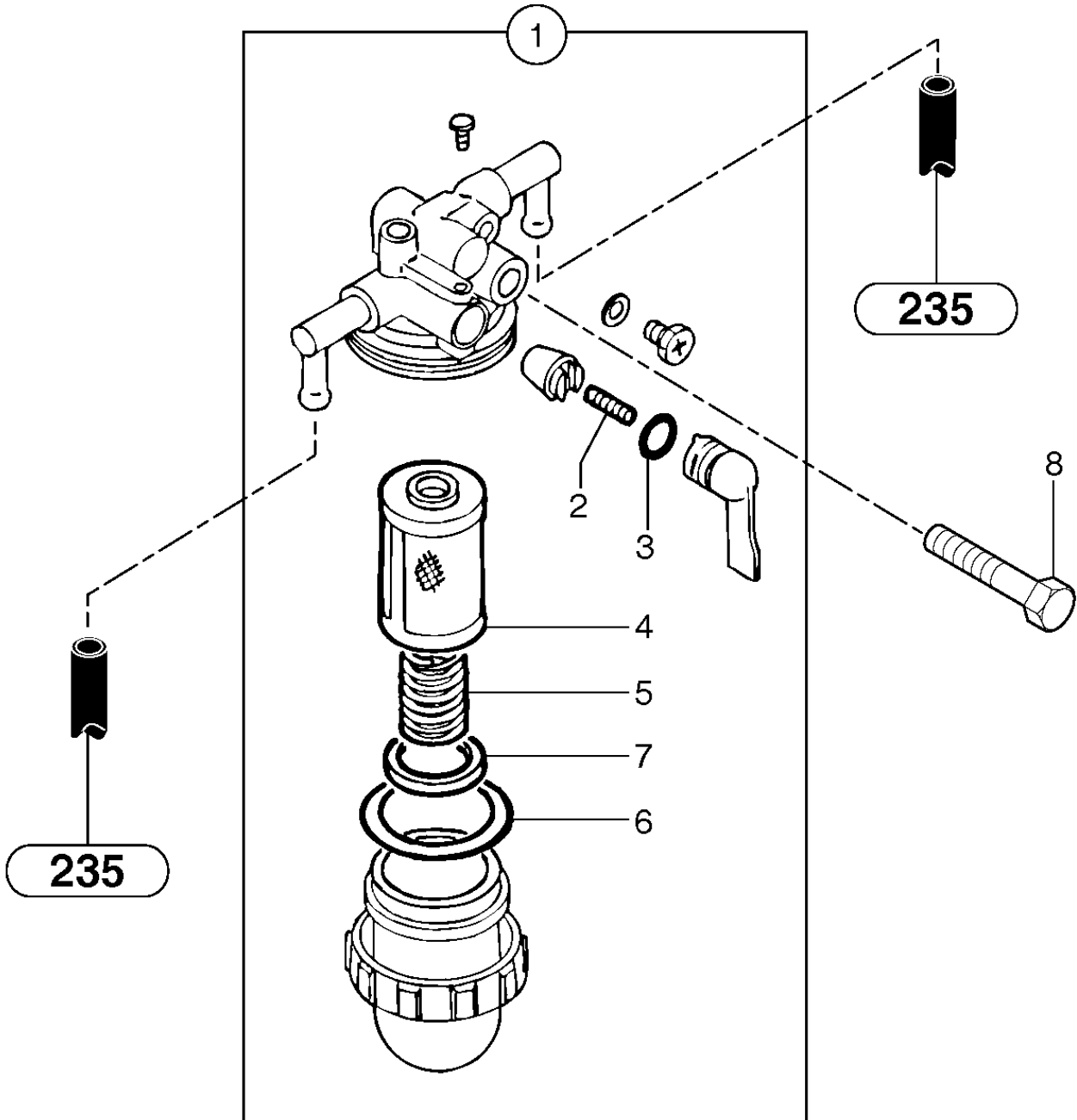
Date: 2013/11/27	Image id: 2334Z1	Catalogue: 10019	Model: EC20B XT
Brand: Volvo	Serial: 60151-80000	Group/Section: 233/400	Title: Fuel filter



Q1-Q5	Option	Option description	
Q1 272.60151			
Q2 272.80151			

Pos	Part	Q1	Q2	Q3	Q4	Q5	PS	Kit	Description	Option(s)	Remark
1	PJ7410170	1	1						Fuel filter		
2	VOE965175	1	1						Flange screw		H M6x12
3	PJ7410171	1	1						Flange		

Date: 2013/11/27	Image id: 23341Z1	Catalogue: 10019	Model: EC20B XT
Brand: Volvo	Serial: 60151-80000	Group/Section: 233/500	Title: Sediment bowl



Q1-Q5	Option	Option description	
Q1 272.60151			
Q2 272.80151			

Pos	Part	Q1	Q2	Q3	Q4	Q5	PS	Kit	Description	Option(s)	Remark
-----	------	----	----	----	----	----	----	-----	-------------	-----------	--------

1	PJ6050073	1	1						Sediment bowl		
2	PJ7412905	1	1						•Spring		
3	PJ7412906	1	1						•O-ring		
4	VOE11715846	1	1						•Fuel filter insert		(PJ7412921)
5	PJ7412922	1	1						•Spring		
6	VOE11715870	1	1						•O-ring		(PJ7412907)
7	PJ7418261	1	1						•Float		
8	VOE13965180	1	1						Screw		H M8x60

Thank you so much for reading.
Please click the “Buy Now!”
button below to download the
complete manual.



After you pay.

You can download the most
perfect and complete manual in
the world immediately.

Our support email:

ebooklibonline@outlook.com