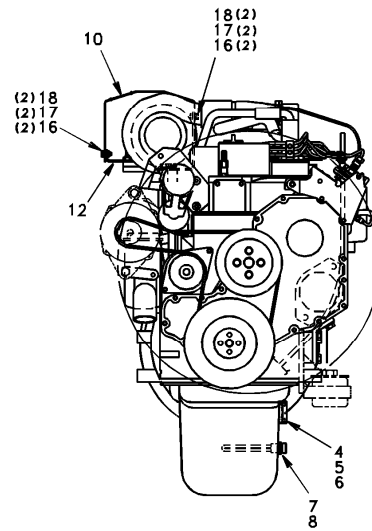
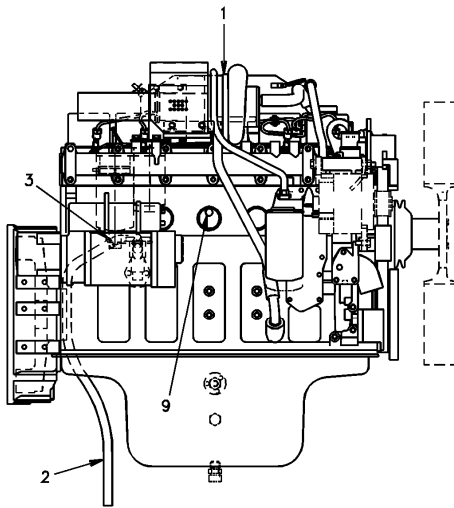
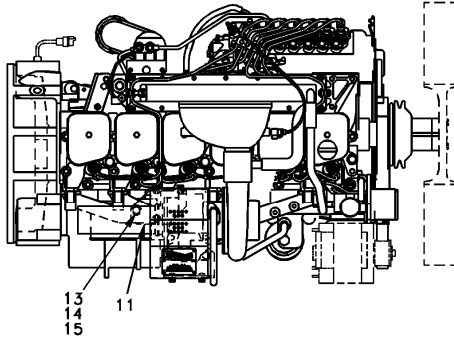


Date: 2013/10/26	Image id: 1005622	Catalogue: 56117	Model: EC210
Brand: Volvo	Serial: 3001-9999	Group/Section: 210/100	Title: Engine



Volvo Construction
Equipment
1005622

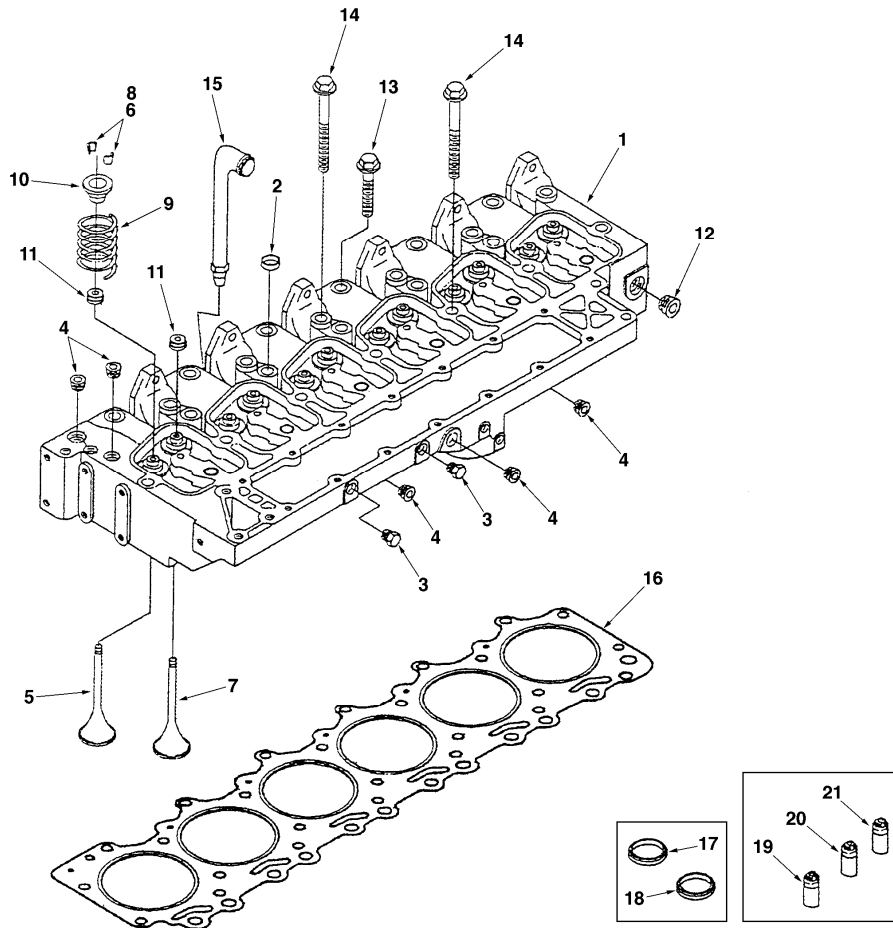
Section option	Kit	Option description
SADD04B001		Without air pre-heater for engine
SADD04B002		Air heater for engine Common
SADD04C001		Engine block heater 120V
SADD04C002		Engine block heater 240V
SADD11A002		Anti-slip treads for Engine room maintenance

Q1-Q5	Option	Option description	
Q1 DD04B001	SADD04B001	Without air pre-heater for engine	
Q2 DD04B002	SADD04B002	Air heater for engine Common	
Q3 DD04C001	SADD04C001	Engine block heater 120V	
Q4 DD04C002	SADD04C002	Engine block heater 240V	
Q5 DD11A002	SADD11A002	Anti-slip treads for Engine room maintenance	

Pos	Part	Q1	Q2	Q3	Q4	Q5	PS	Kit	Description	Option(s)	Remark
1	SA1111-00313	1							Engine		Tropical

	SA1111-00013		1					Engine		STD
2	SA9952-19017	1	1					Hose		
3	SA9312-10175	1	1					Clamp		
4	SA1111-00221	1	1					Connector		
5	SA9511-22025	1	1					O-ring		
6	SA9016-10603	3	3					Bolt		
7	SA2011-00440			1				Heater		120V
	SA2011-00430				1			Heater		240V
8	SA9426-20080			1	1			Gasket		
9	SA2011-00500			1				Heater		
	SA2011-00490				1			Heater		
10	SA1111-00491					1		Screen		
11	SA1111-00240					1		Bracket		
12	SA1111-00250					1		Bracket		
13	VOE983250					2		Hexagon screw		
14	SA9211-10000					2		Washer		
15	VOE955922					2		Spring washer		
16	VOE983241					4		Hexagon screw		
17	SA9211-08000					4		Washer		
18	VOE955921					4		Spring washer		

Date: 2013/10/26	Image id: SA102	Catalogue: 56117	Model: EC210
Brand: Volvo	Serial: 3001-9999	Group/Section: 211/100	Title: Cylinder head



Volvo Construction
Equipment Group
SA102

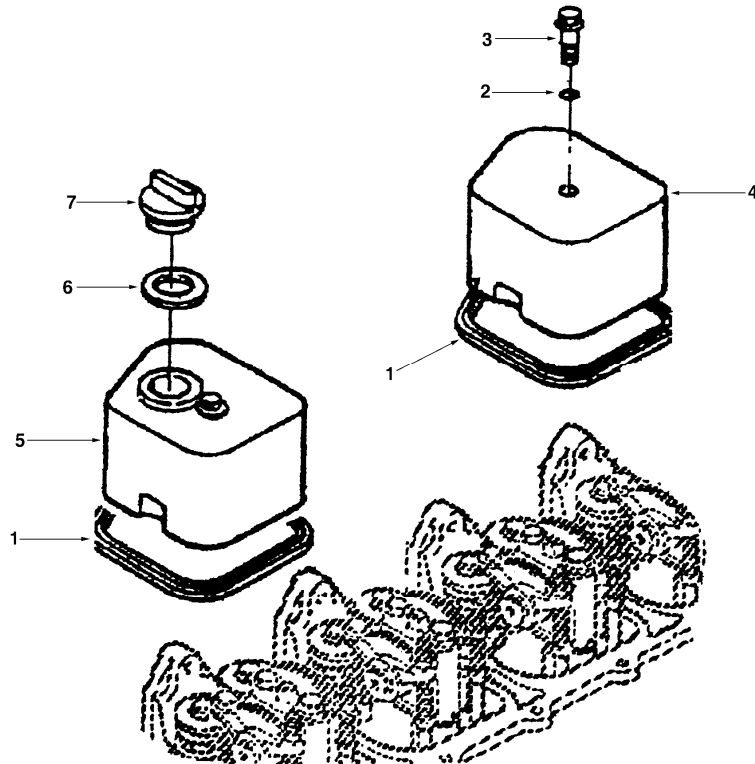
Section option	Kit	Option description
SADD04B001		Without air pre-heater for engine
SADD04B002		Air heater for engine Common

Q1-Q5	Option	Option description	
Q1 DD04B001	SADD04B001	Without air pre-heater for engine	
Q2 DD04B002	SADD04B002	Air heater for engine Common	

Pos	Part	Q1	Q2	Q3	Q4	Q5	PS	Kit	Description	Option(s)	Remark
1	SA3934769	1	1						Head_cylinder		
	SA3930421	1	1				NS		•Head		
2	SA3812092	5	5						•Plug		
3	SA3906619	2	2						•Plug		
4	SA3008468	5	5						•Tube plug		
5	SA3802355	6	6						•Valve		INLET
	SA3802355	6	6						••Valve		

6	SA3900250	12	12						••Collet		
7	SA3802356	6	6						•Valve		EXHAUST
	SA3802356	6	6						••Valve		
8	SA3900250	12	12						••Collet		
9	SA3926700	12	12						•Spring		
10	SA3900299	12	12						•Retainer		
11	SA3921640	6	6						•Sealing		
12	SA3008469	1	1						•Plug		
13	SA3920779	6	6						Bolt		
14	SA3920780	14	14						Bolt		
15	SA3926446	1	1						Pipe		
16	SA3283335	1	1						Gasket		
17	SA3904105	REQ	REQ						Seat		EXHAUST
18	SA3906854	REQ	REQ						Seat		INLET
19	SA3904408	REQ	REQ						Guide		INTAKE
20	SA3904409	REQ	REQ						Guide		EXHAUST
21	SA3906206	REQ	REQ						Guide		I & E

Date: 2013/10/26	Image id: SA103	Catalogue: 56117	Model: EC210
Brand: Volvo	Serial: 3001-9999	Group/Section: 211/200	Title: Valve cover



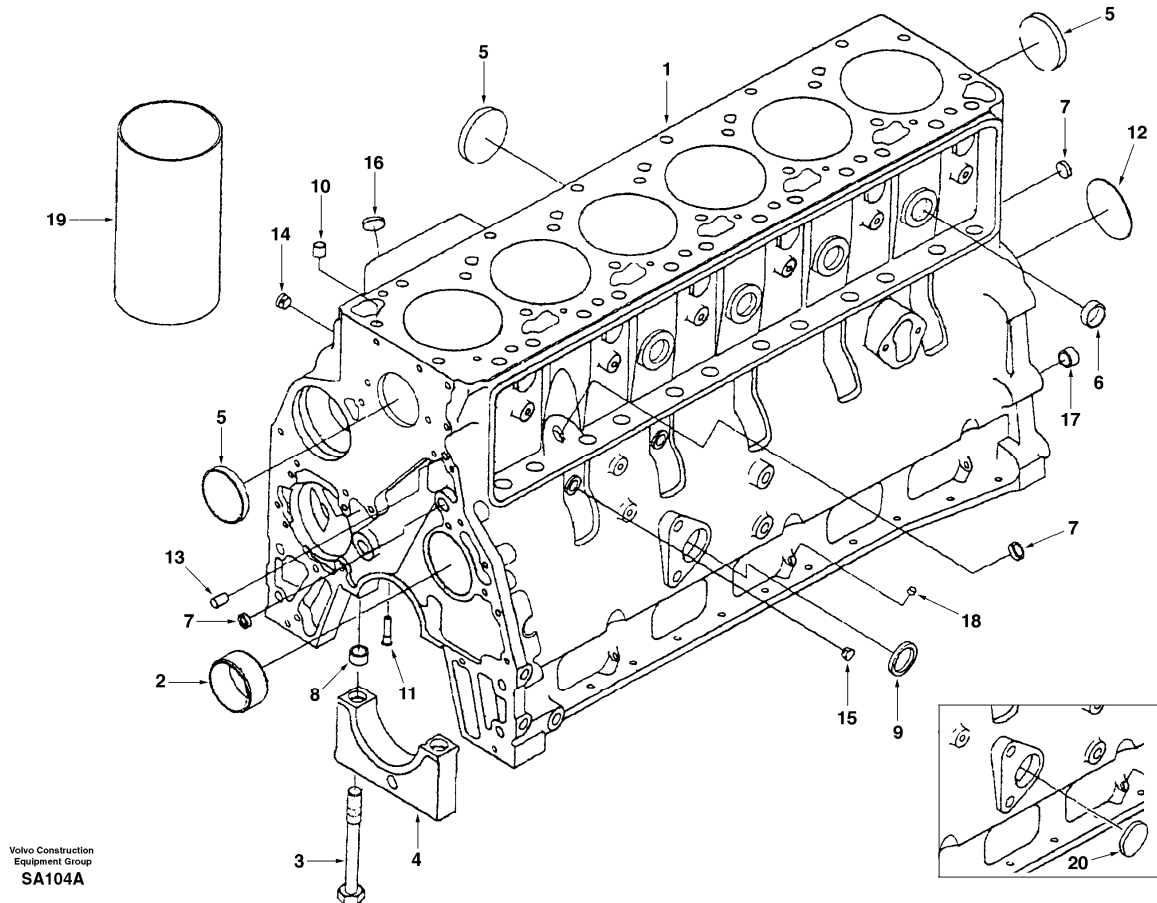
Volvo Construction
Equipment Group
SA103

Section option	Kit	Option description
SADD04B001		Without air pre-heater for engine
SADD04B002		Air heater for engine Common

Q1-Q5	Option	Option description	
Q1 DD04B001	SADD04B001	Without air pre-heater for engine	
Q2 DD04B002	SADD04B002	Air heater for engine Common	

Pos	Part	Q1	Q2	Q3	Q4	Q5	PS	Kit	Description	Option(s)	Remark
1	SAJ902666L	6	6						Gasket		
2	SA3935449	6	6						Housing		
3	SA3907049	6	6						Screw		
4	SA3928404	5	5						Cover		
5	SA3928405	6	6						Cover		
6	SA3902363L	1	1						Sealing		
7	SA3901895	1	1						Cap		

Date: 2013/10/26	Image id: SA104A	Catalogue: 56117	Model: EC210
Brand: Volvo	Serial: 3001-9999	Group/Section: 212/100	Title: Cylinder block



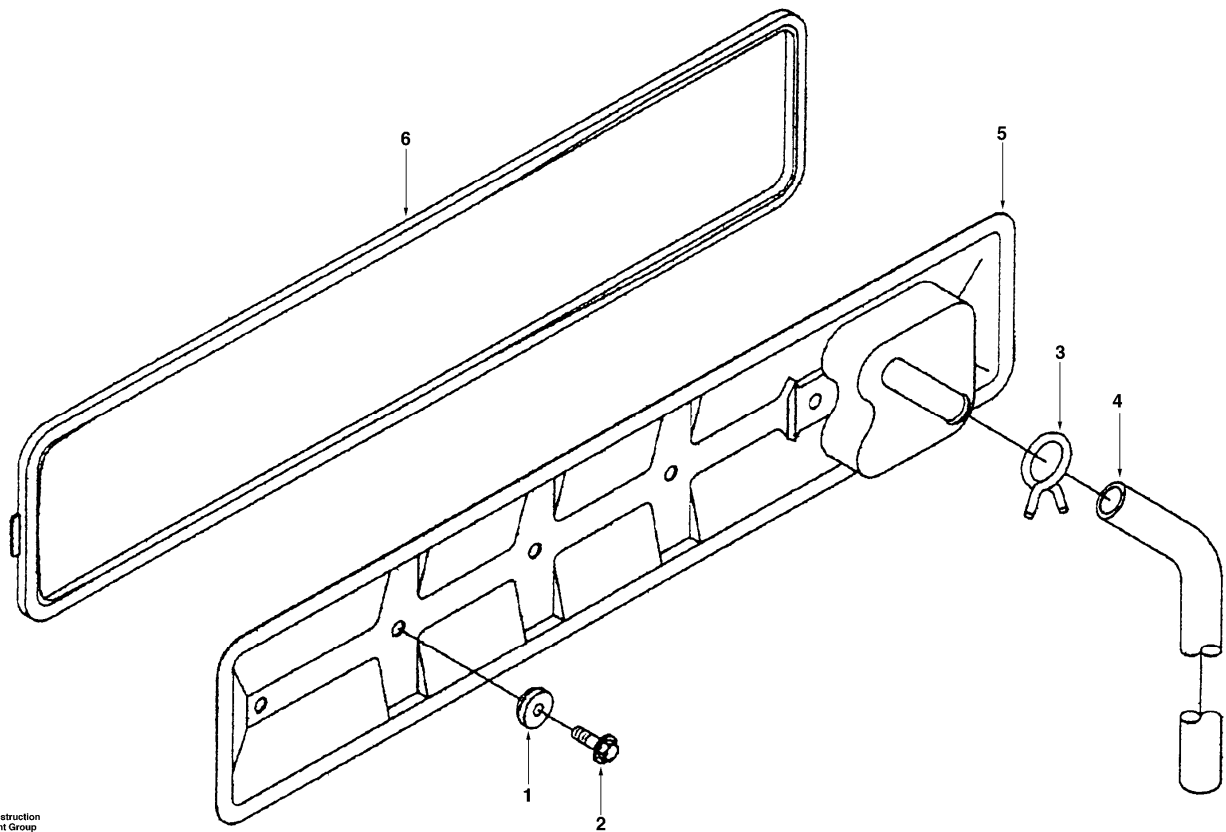
Section option	Kit	Option description
SADD04B001		Without air pre-heater for engine
SADD04B002		Air heater for engine Common

Q1-Q5	Option	Option description	
Q1 DD04B001	SADD04B001	Without air pre-heater for engine	
Q2 DD04B002	SADD04B002	Air heater for engine Common	

Pos	Part	Q1	Q2	Q3	Q4	Q5	PS	Kit	Description	Option(s)	Remark
1	SA3905810	1	1						Cylinder Block		
2	SA3901306	1	1						•Bushing		
3	SA3904217	14	14						•Screw		
4	SA3936791	7	7						•Cap		
5	SA3922072	6	6						•Plug		
6	SA3007635	4	4						•Plug		
7	SA3900956	3	3						•Plug		

8	SA3900068	14	14						•Ring		
9	SA3900958	1	1					K	•Plug		
10	SA3902343	2	2					K	•Ring		
11	SA3937214	6	6					K	•Nozzle		
12	SA3900687	1	1					K	•Plug		
13	SA3900257	2	2					K	•Locating pin		
14	SA3008468	1	1					K	•Tube plug		
15	SA3906619	2	2					K	•Plug		
16	SA3027646	1	1					K	•Plug		
17	SA3900068	2	2					K	•Ring		
18	SA3900955	2	2					K	•Plug		
19	SAJ904166	REQ	REQ						Liner_piston		STANDARD BORE
20	SA3900958	1	1						Plug		
100	SA3933220	1	1						Kit		SS 3933220

Date: 2013/10/26	Image id: SA105	Catalogue: 56117	Model: EC210
Brand: Volvo	Serial: 3001-9999	Group/Section: 212/200	Title: Crankcase ventilation



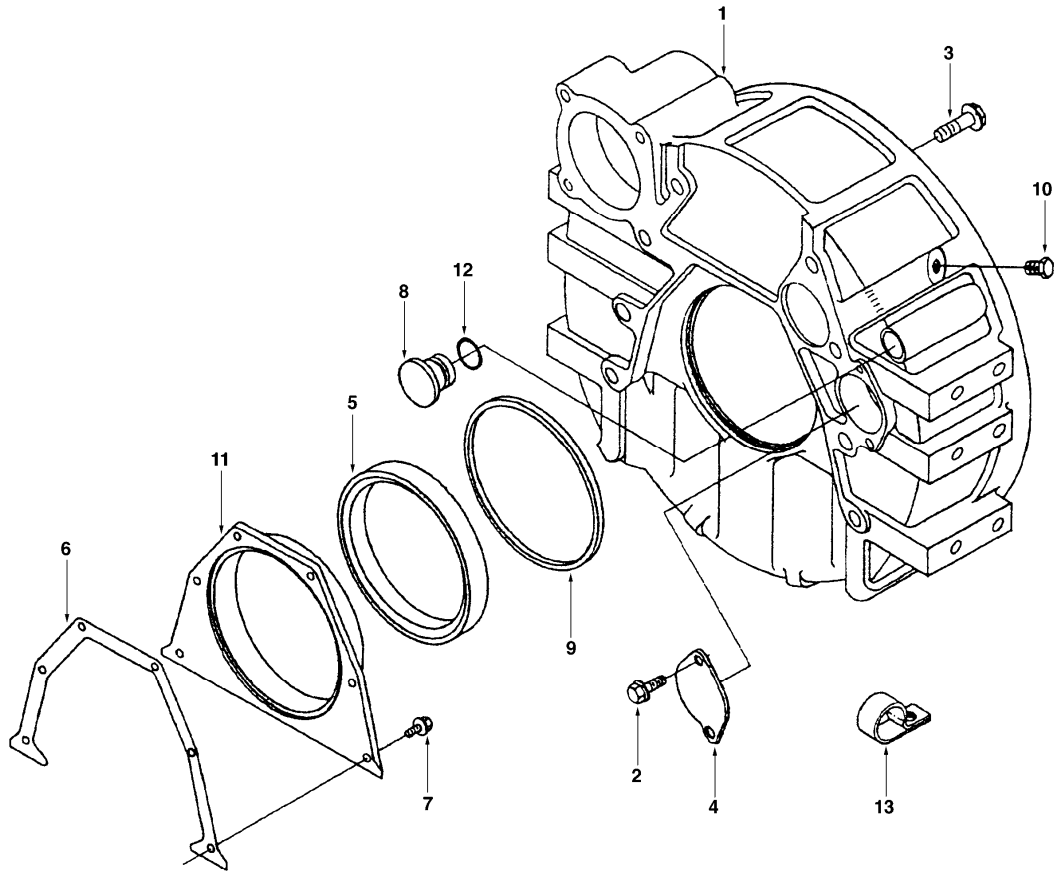
Volvo Construction
Equipment Group
SA105

Section option	Kit	Option description
SADD04B001		Without air pre-heater for engine
SADD04B002		Air heater for engine Common

Q1-Q5	Option	Option description	
Q1 DD04B001	SADD04B001	Without air pre-heater for engine	
Q2 DD04B002	SADD04B002	Air heater for engine Common	

Pos	Part	Q1	Q2	Q3	Q4	Q5	PS	Kit	Description	Option(s)	Remark
1	SA3928759	6	6						Seal		
2	SA3900629	6	6						Screw		
3	SA3904230	1	1						Clamp		
4	SA9952-19017	1	1						Hose		
5	SA3927913	1	1						Cover		
6	SA3284623	1	1						Gasket		(SA3928832)

Date: 2013/10/26	Image id: SA106	Catalogue: 56117	Model: EC210
Brand: Volvo	Serial: 3001-9999	Group/Section: 212/300	Title: Flywheel housing



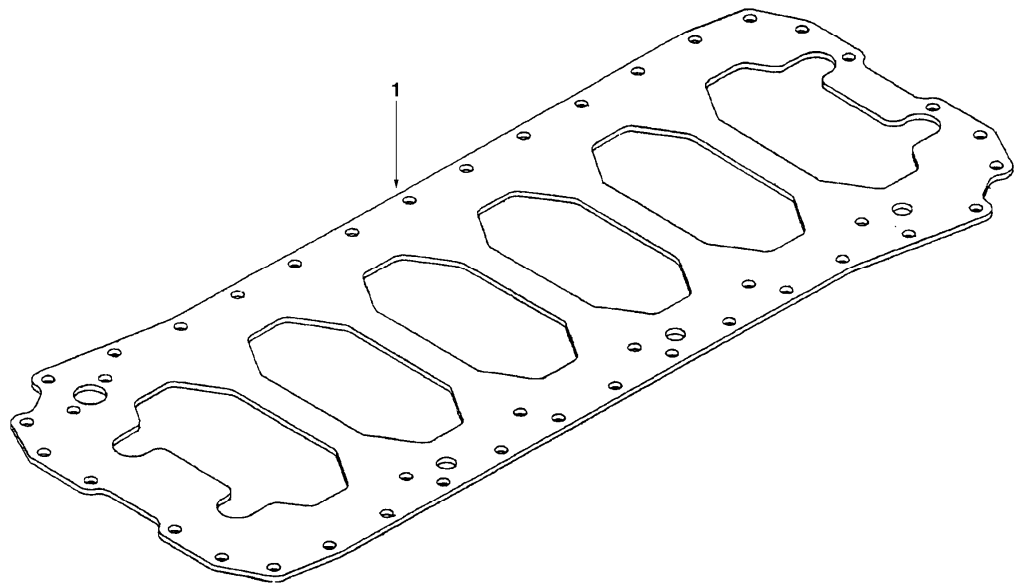
Section option	Kit	Option description
SADD04B001		Without air pre-heater for engine
SADD04B002		Air heater for engine Common

Q1-Q5	Option	Option description	
Q1 DD04B001	SADD04B001	Without air pre-heater for engine	
Q2 DD04B002	SADD04B002	Air heater for engine Common	

Pos	Part	Q1	Q2	Q3	Q4	Q5	PS	Kit	Description	Option(s)	Remark
1	SA3937426	1	1						Flywheel housing		
2	SA3912072	2	2						Screw		
3	SA3920447	8	8						Screw		
4	SA3925234	1	1						Plate		
5	SA3926126	1	1						Sealing kit		
6	SA3928493	1	1						Gasket		
7	SA3913638	6	6						Screw		

8	SA3910248	1	1						Plug		
9	SA3912473L	1	1						Sealing		
10	SA3904181	1	1						Plug		
11	SA3936904	1	1						Cover_rear		
12	SA3910260	1	1						Seal		
13	SA3923610	1	1						Clip		

Date: 2013/10/26	Image id: SA107	Catalogue: 56117	Model: EC210
Brand: Volvo	Serial: 3001-9999	Group/Section: 212/400	Title: Noise panel



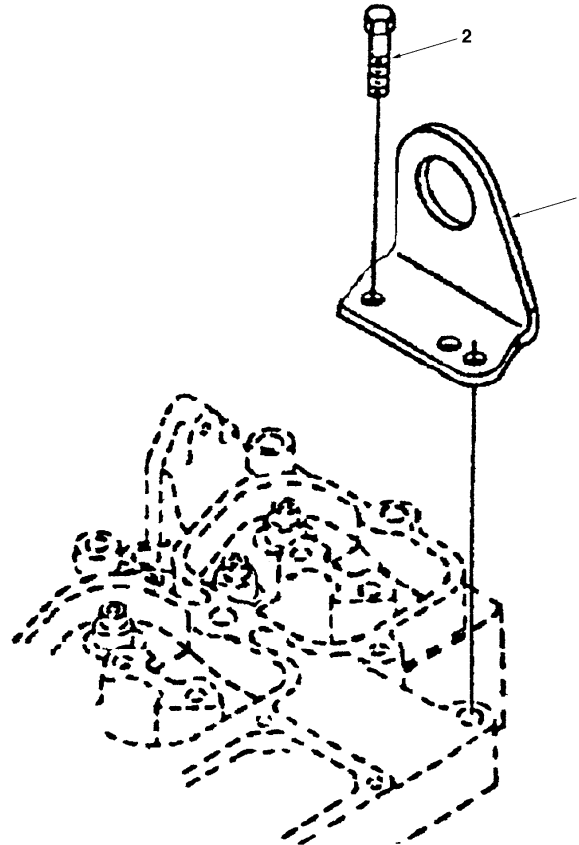
Volvo Construction
Equipment Group
SA107

Section option	Kit	Option description
SADD04B001		Without air pre-heater for engine
SADD04B002		Air heater for engine Common

Q1-Q5	Option	Option description	
Q1 DD04B001	SADD04B001	Without air pre-heater for engine	
Q2 DD04B002	SADD04B002	Air heater for engine Common	

Pos	Part	Q1	Q2	Q3	Q4	Q5	PS	Kit	Description	Option(s)	Remark
1	SA3941556	1	1						Plate		

Date: 2013/10/26	Image id: SA108	Catalogue: 56117	Model: EC210
Brand: Volvo	Serial: 3001-9999	Group/Section: 212/500	Title: Lifting eye



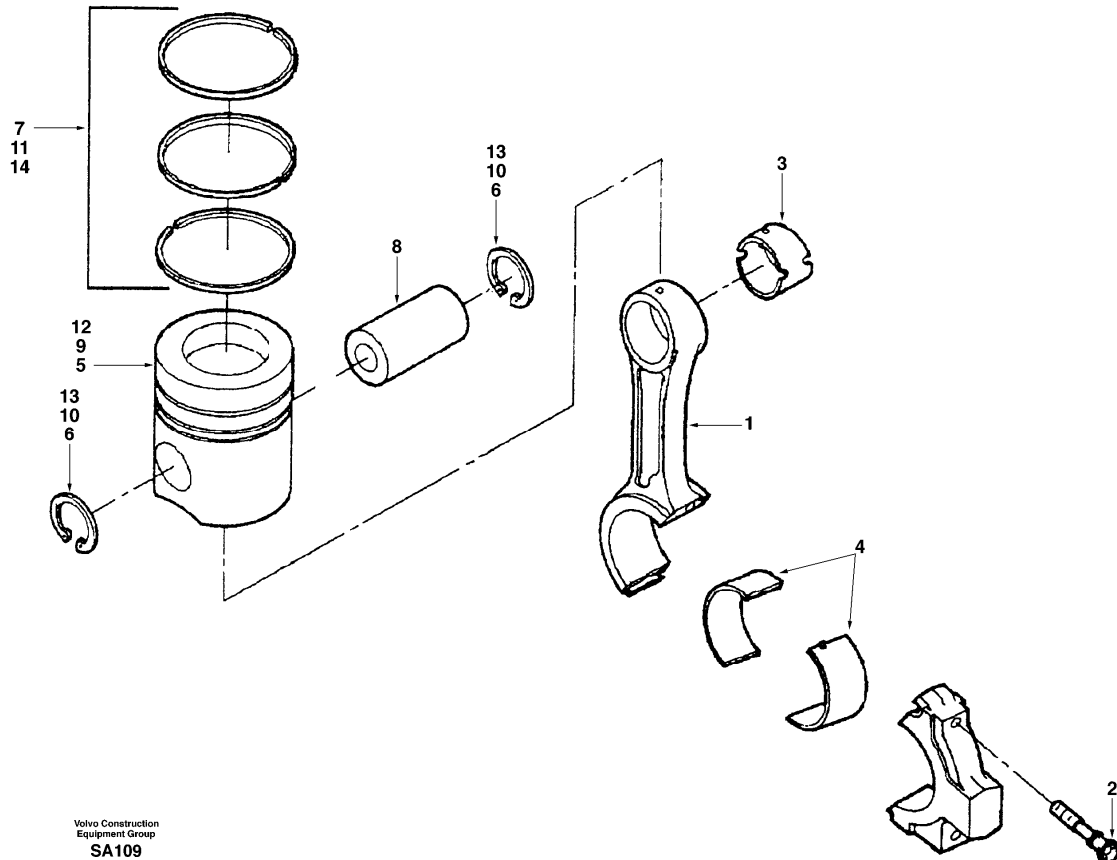
Volvo Construction
Equipment Group
SA108

Section option	Kit	Option description
SADD04B001		Without air pre-heater for engine
SADD04B002		Air heater for engine Common

Q1-Q5	Option	Option description	
Q1 DD04B001	SADD04B001	Without air pre-heater for engine	
Q2 DD04B002	SADD04B002	Air heater for engine Common	

Pos	Part	Q1	Q2	Q3	Q4	Q5	PS	Kit	Description	Option(s)	Remark
1	SA3908118	1	1						Bracket		
2	SA3910495	2	2						Bolt		

Date: 2013/10/26	Image id: SA109	Catalogue: 56117	Model: EC210
Brand: Volvo	Serial: 3001-9999	Group/Section: 213/100	Title: Connecting rod and piston



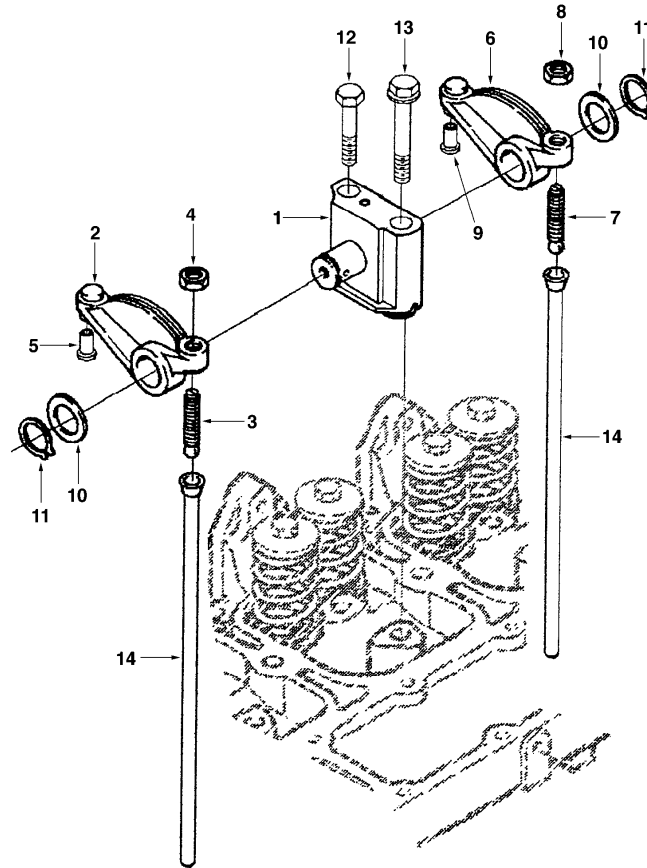
Section option	Kit	Option description
SADD04B001		Without air pre-heater for engine
SADD04B002		Air heater for engine Common

Q1-Q5	Option	Option description	
Q1 DD04B001	SADD04B001	Without air pre-heater for engine	
Q2 DD04B002	SADD04B002	Air heater for engine Common	

Pos	Part	Q1	Q2	Q3	Q4	Q5	PS	Kit	Description	Option(s)	Remark
1	SA3942581	6	6						Connecting Rod		
2	SA3900919	2	2						•Screw		
3	SA3941476	1	1						•Bushing		
4	SA3901170	2	2						Bearing		STD
	SA3901171	REQ	REQ						Bearing		0.25MM O SZ
	SA3901172	REQ	REQ						Bearing		0.50MM O SZ
	SA3901173	REQ	REQ						Bearing		0.75MM O SZ

	SA3901174	REQ	REQ						Bearing		1.00MM O SZ
5	SA3802747	6	6						Piston		STD
	SA3928673	1	1				NS		•Piston		
6	SA3901706	2	2						•Retaining ring		
7	SA3802746	1	1						•Piston ring kit		
8	SA3901793	6	6						Gudgeon pin		
9	SA3802764	6	6						Piston		0.50MM O SZ
	SA3928674	1	1				NS		•Piston		0.50MM O SZ
10	SA3901706	2	2						•Retaining ring		
11	SA3802422	1	1						•Ring		0.50MM O SZ
12	SA3802765	6	6						Piston		1.00MM O SZ
13	SA3901706	2	2						•Retaining ring		
14	SA3802423	1	1						•Ring		1.00MM O SZ

Date: 2013/10/26	Image id: SA110	Catalogue: 56117	Model: EC210
Brand: Volvo	Serial: 3001-9999	Group/Section: 214/200	Title: Rocker arm



Volvo Construction
Equipment Group
SA110

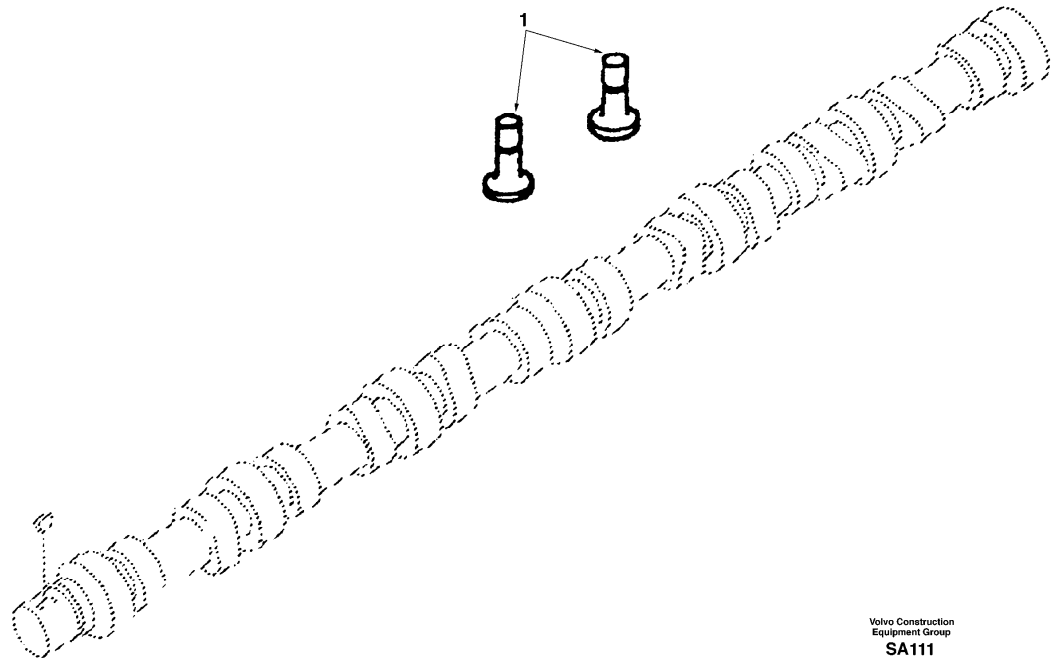
Section option	Kit	Option description
SADD04B001		Without air pre-heater for engine
SADD04B002		Air heater for engine Common

Q1-Q5	Option	Option description	
Q1 DD04B001	SADD04B001	Without air pre-heater for engine	
Q2 DD04B002	SADD04B002	Air heater for engine Common	

Pos	Part	Q1	Q2	Q3	Q4	Q5	PS	Kit	Description	Option(s)	Remark
1	SA3922488	6	6						Support		
	SA3911423	1	1				NS		•Support		
	SA3922487	1	1				NS		•Shaft		
2	SA3910811	6	6						Rocker Arm		INLET
	SA3910809	1	1				NS		•Lever		
3	SA3900706	1	1				SS		•Screw		
4	SA3927692	1	1						•Nut		

5	SA3900705	1	1				NS		•Insert		
6	SA3910810	6	6						Rocker Arm		EXHAUST
	SA3910808	1	1				NS		•Lever		
7	SA3900706	1	1				SS		•Screw		
8	SA3927692	1	1						•Nut		
9	SA3900705	1	1				NS		•Insert		
10	SA3900245	12	12						Washer		
11	SA3900242	12	12						Ring		
12	SA3901221	6	6						Bolt		
13	SA3920781	6	6						Bolt		
14	SA3284377	12	12						Bar		(SA3923262)

Date: 2013/10/26	Image id: SA111	Catalogue: 56117	Model: EC210
Brand: Volvo	Serial: 3001-9999	Group/Section: 214/300	Title: Valve tappet



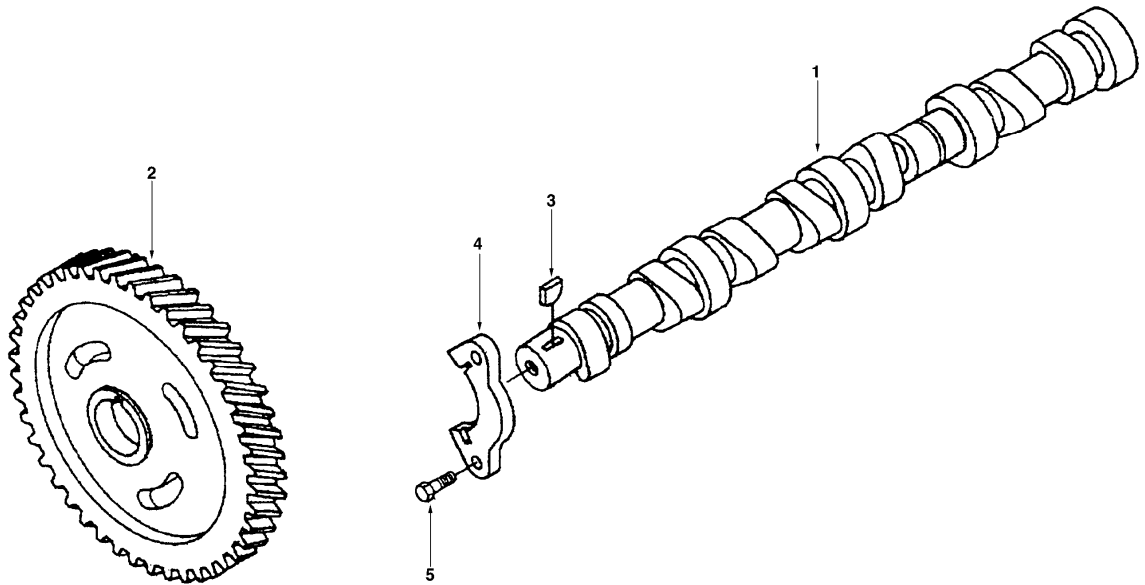
Volvo Construction
Equipment Group
SA111

Section option	Kit	Option description
SADD04B001		Without air pre-heater for engine
SADD04B002		Air heater for engine Common

Q1-Q5	Option	Option description	
Q1 DD04B001	SADD04B001	Without air pre-heater for engine	
Q2 DD04B002	SADD04B002	Air heater for engine Common	

Pos	Part	Q1	Q2	Q3	Q4	Q5	PS	Kit	Description	Option(s)	Remark
1	SA3931623	12	12						Tappet		(SA3925031)

Date: 2013/10/26	Image id: SA112	Catalogue: 56117	Model: EC210
Brand: Volvo	Serial: 3001-9999	Group/Section: 215/100	Title: Camshaft



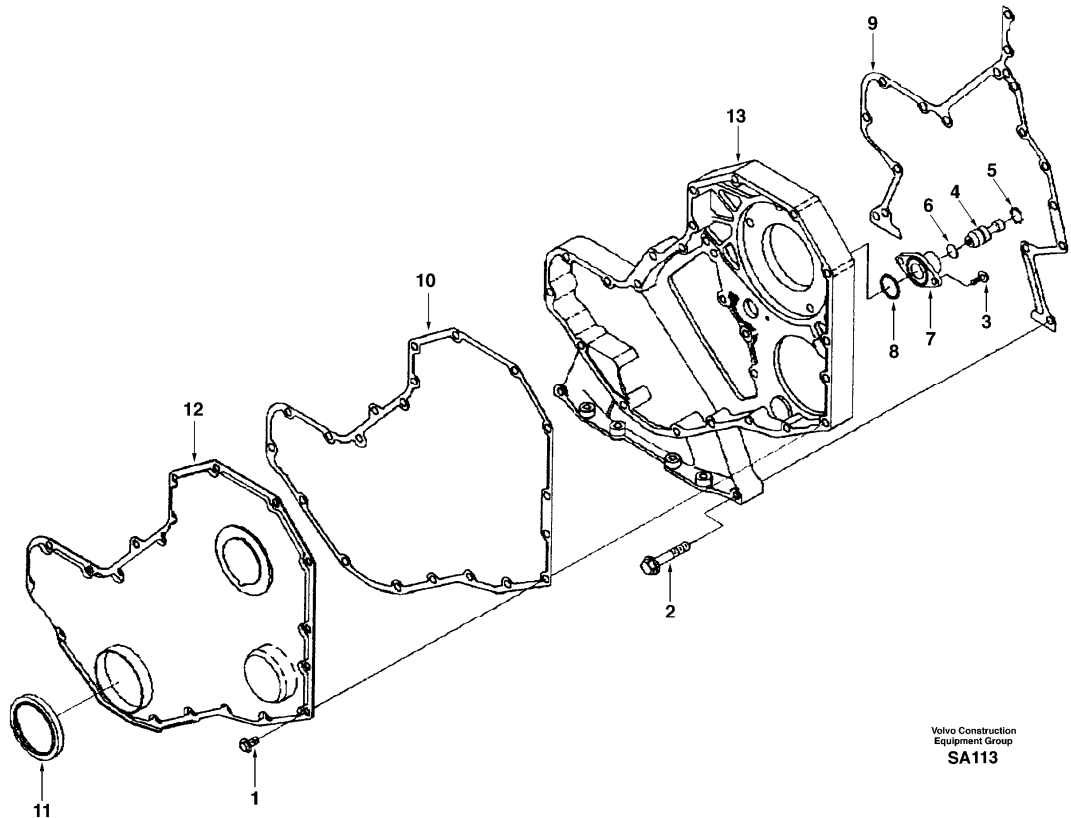
Volvo Construction
Equipment Group
SA112

Section option	Kit	Option description
SADD04B001		Without air pre-heater for engine
SADD04B002		Air heater for engine Common

Q1-Q5	Option	Option description	
Q1 DD04B001	SADD04B001	Without air pre-heater for engine	
Q2 DD04B002	SADD04B002	Air heater for engine Common	

Pos	Part	Q1	Q2	Q3	Q4	Q5	PS	Kit	Description	Option(s)	Remark
1	SA3929886	1	1						Camshaft		
2	SA3929030	1	1						Gear		
3	SA3902332	1	1						Key		
4	SA3927155	1	1						Support		
5	SA3900227	2	2						Screw		

Date: 2013/10/26	Image id: SA113	Catalogue: 56117	Model: EC210
Brand: Volvo	Serial: 3001-9999	Group/Section: 215/200	Title: Timing gear casing



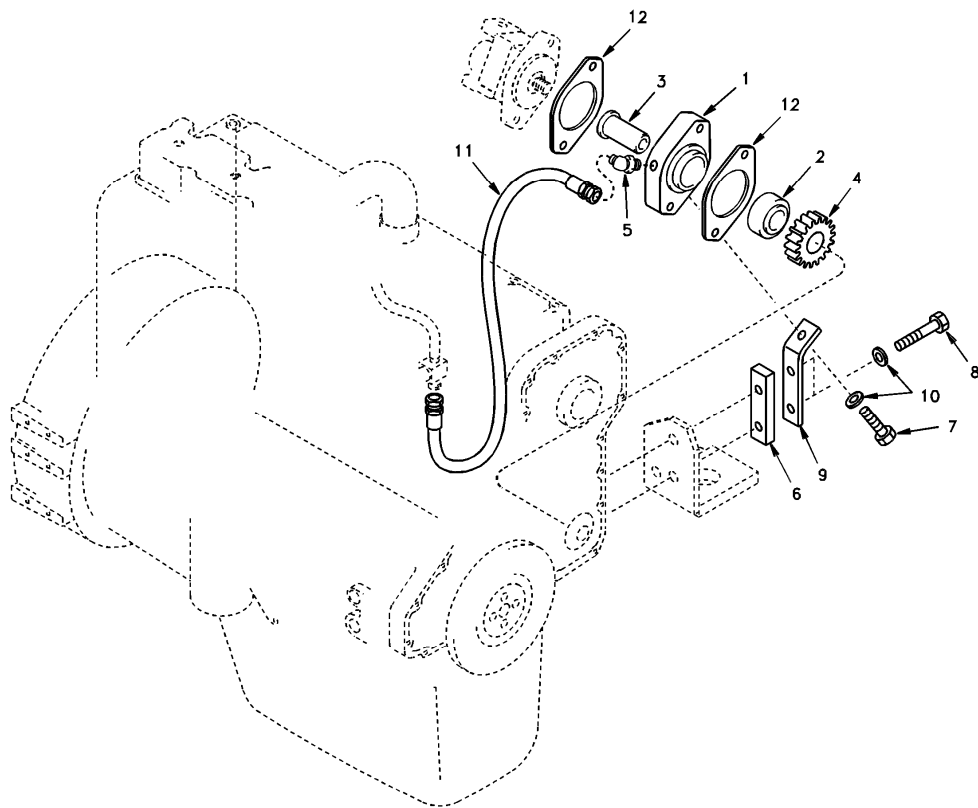
Section option	Kit	Option description
SADD04B001		Without air pre-heater for engine
SADD04B002		Air heater for engine Common

Q1-Q5	Option	Option description	
Q1 DD04B001	SADD04B001	Without air pre-heater for engine	
Q2 DD04B002	SADD04B002	Air heater for engine Common	

Pos	Part	Q1	Q2	Q3	Q4	Q5	PS	Kit	Description	Option(s)	Remark
1	SA3925883	13	13						Bolt		
2	SA3900633	11	11						Screw		
3	SA3907998	2	2						Screw		
4	SA3903924	1	1						Pin		
5	SA3904849	1	1						Ring		
6	SA3913994	1	1						Seal		
7	SA3913995	1	1				SS		Housing		

8	SA3915772	1	1				SS		Seal		
9	SA3916131	1	1				SS		Gasket		
10	SA3918673	1	1						Gasket		
11	SA3900709	1	1				SS		Seal		
12	SA3918675	1	1				SS		Cover		
13	SA3929565	1	1				SS		Housing		

Date: 2013/10/26	Image id: 1005697	Catalogue: 56117	Model: EC210
Brand: Volvo	Serial: 3001-9999	Group/Section: 215/300	Title: Pump drive power take-off



Volvo Construction
Equipment
1005697

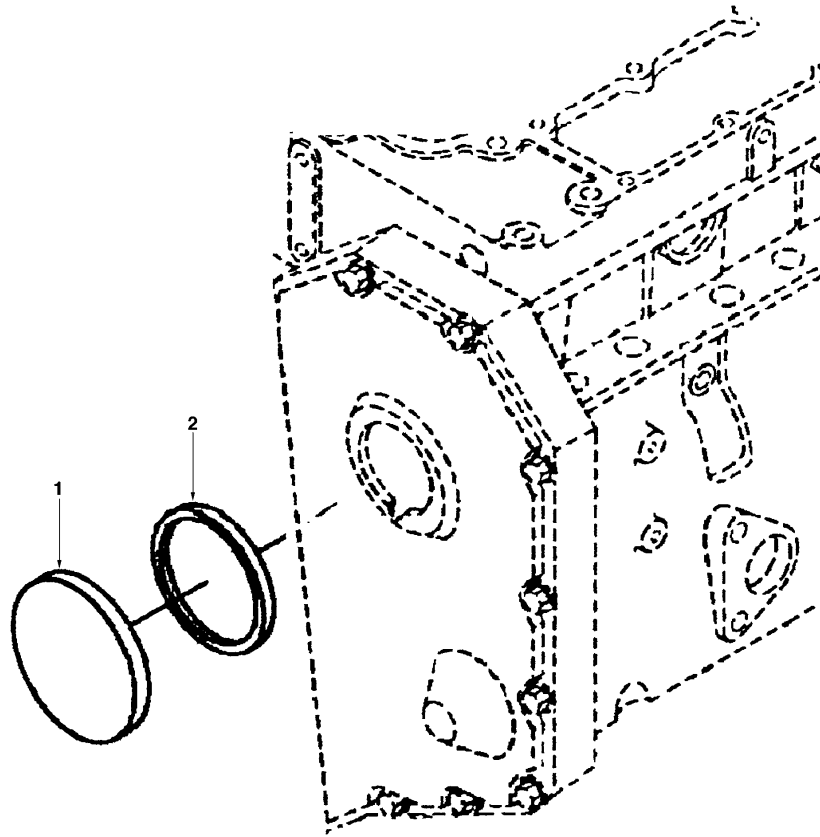
Section option	Kit	Option description
SADD18B001		Leak-off line for slope-rotator on basic machine

Q1-Q5	Option	Option description	
Q1 DD18B001	SADD18B001	Leak-off line for slope-rotator on basic machine	

Pos	Part	Q1	Q2	Q3	Q4	Q5	PS	Kit	Description	Option(s)	Remark
	SA3923319	1					SS		Drive Unit		SER NO 3001-5008
	SA3939961	1							Drive Unit		SER NO 5009-
1	SA3923237	1							•Adapter		SER NO 3001-5008
	SA3939957	1							•Adapter		SER NO 5009-
2	SA3902601	1							•Roller Bearing		SER NO 3001-5008
	SA3935644	1							•Roller Bearing		SER NO 5009-
3	SA3923242	1							•Shaft		SER NO 3001-5008
	SA3935645	1							•Shaft		SER NO 5009-
4	SA3928860	1					SS		•Gear		SER NO 3001-5008

	SA3936136	1							•Gear		SER NO 5009-
5	SA3939694	1							•Elbow		SER NO 5009-
6	SA1112-00550	1							Plate		
7	SA9011-11205	1							Bolt		
8	SA9011-21213	2							Bolt		
9	SA3931825	1							Brace		
10	SA9211-12000	3							Washer		
11	SA3924867	1							Hose		SER NO 5009-
12	SA3008400	2							Gasket		

Date: 2013/10/26	Image id: SA116	Catalogue: 56117	Model: EC210
Brand: Volvo	Serial: 3001-9999	Group/Section: 215/500	Title: Tachometer drive cover



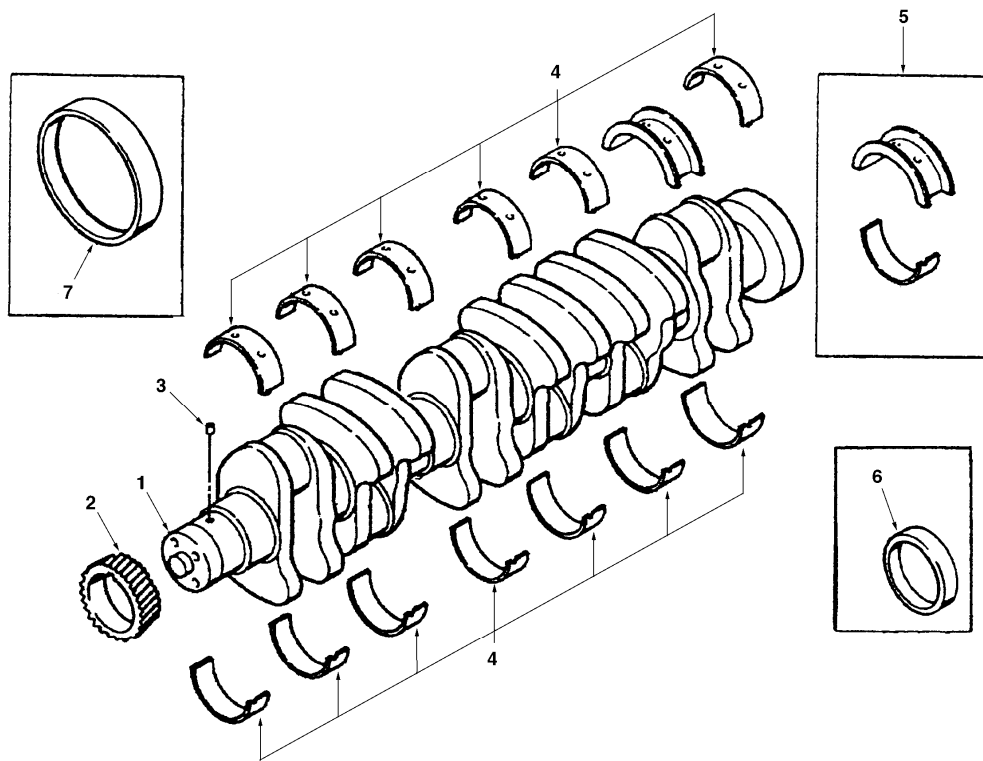
Volvo Construction
Equipment Group
SA116

Section option	Kit	Option description
SADD04B001		Without air pre-heater for engine
SADD04B002		Air heater for engine Common

Q1-Q5	Option	Option description	
Q1 DD04B001	SADD04B001	Without air pre-heater for engine	
Q2 DD04B002	SADD04B002	Air heater for engine Common	

Pos	Part	Q1	Q2	Q3	Q4	Q5	PS	Kit	Description	Option(s)	Remark
1	SA3903463	1	1						Cover		
2	SA3903475	1	1				SS		Seal		

Date: 2013/10/26	Image id: SJ117A	Catalogue: 56117	Model: EC210
Brand: Volvo	Serial: 3001-9999	Group/Section: 216/100	Title: Crankshaft



Volvo Construction
Equipment
SJ117A

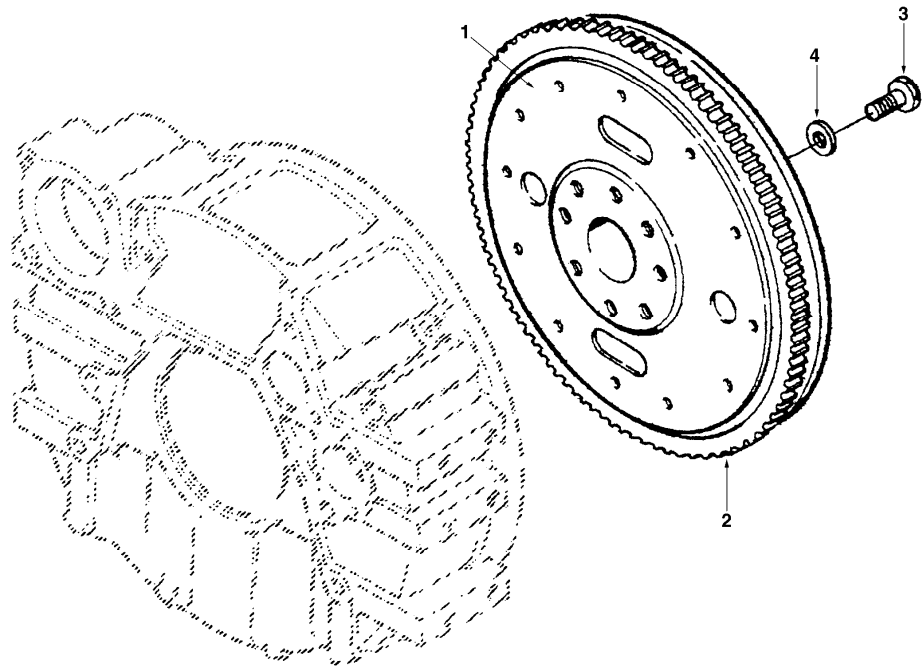
Section option	Kit	Option description
SADD04B001		Without air pre-heater for engine
SADD04B002		Air heater for engine Common

Q1-Q5	Option	Option description	
Q1 DD04B001	SADD04B001	Without air pre-heater for engine	
Q2 DD04B002	SADD04B002	Air heater for engine Common	

Pos	Part	Q1	Q2	Q3	Q4	Q5	PS	Kit	Description	Option(s)	Remark
1	SA3905730	1	1						Crankshaft		
	SA3905619	1	1				SS		•Crankshaft		
2	SA3929026	1	1				SS		•Gear		
3	SA3904483	1	1						•Locating pin		
4	SA3802070	1	1						Bearing		STD
	SA3802071	1	1						Bearing		0.25MM O SZ
	SA3802072	1	1						Bearing		0.50MM O SZ

	SA3802073	1	1					Bearing		0.75MM O SZ
	SA3802074	1	1					Bearing		0.75MM O SZ THRUST
5	SA3802082	1	1				SS	Bearing		0.5MM O SZ THRUST
	SA3802084	1	1				SS	Bearing		(SA3802084)1.0MM O SZ THRUST
6	SA3906080	1	1				SS	Sleeve		FRONT
7	SA3906081	1	1				SS	Sleeve		REAR

Date: 2013/10/26	Image id: SA118	Catalogue: 56117	Model: EC210
Brand: Volvo	Serial: 3001-9999	Group/Section: 216/200	Title: Flywheel

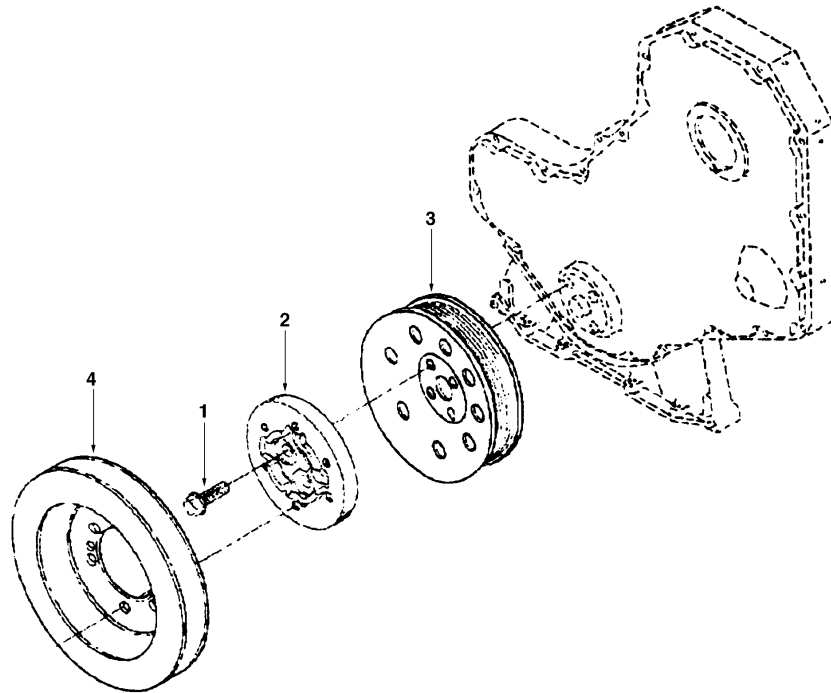


Volvo Construction
Equipment Group
SA118

Q1-Q5	Option	Option description	
Q1 DD04B001	SADD04B001	Without air pre-heater for engine	
Q2 DD04B002	SADD04B002	Air heater for engine Common	

Pos	Part	Q1	Q2	Q3	Q4	Q5	PS	Kit	Description	Option(s)	Remark
1	SA3973363	1	1						Flywheel		
	SA3973362	1	1				OP		•Flywheel		
2	SA3905427	1	1						•Gear		
3	SA3901395	8	8						Screw		
4	SA3900269	8	8						Washer		

Date: 2013/10/26	Image id: SA119	Catalogue: 56117	Model: EC210
Brand: Volvo	Serial: 3001-9999	Group/Section: 216/300	Title: Vibration damper



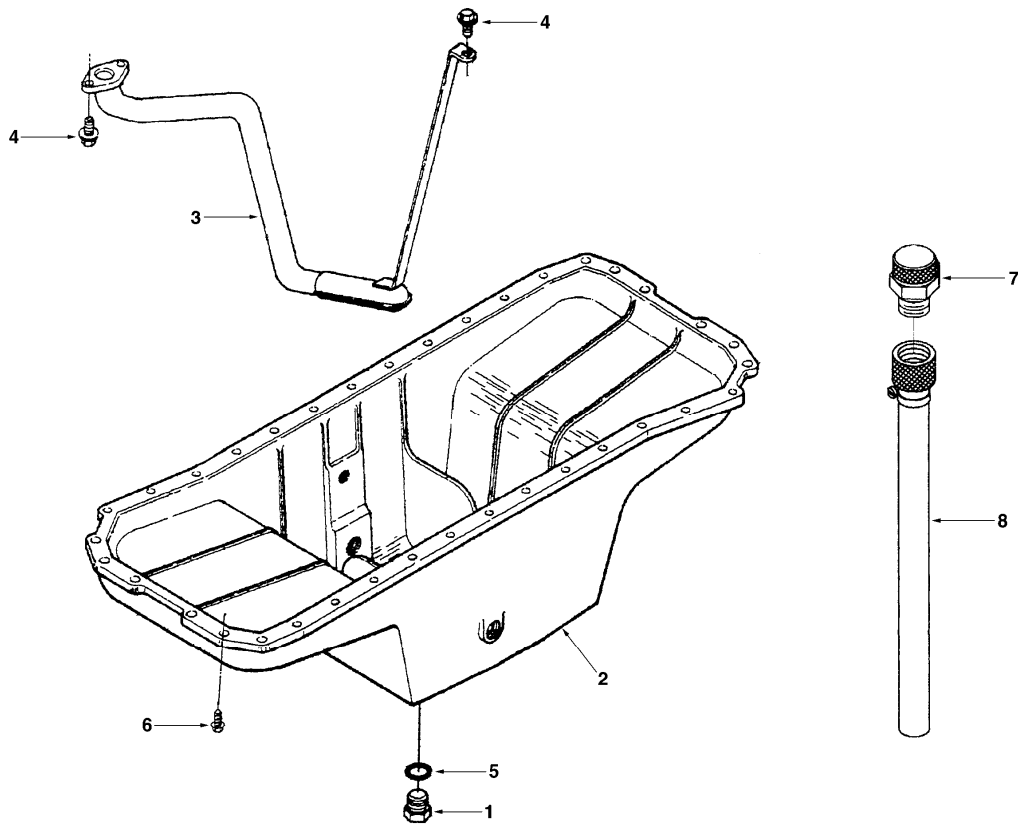
Volvo Construction
Equipment Group
SA119

Section option	Kit	Option description
SADD04B001		Without air pre-heater for engine
SADD04B002		Air heater for engine Common

Q1-Q5	Option	Option description	
Q1 DD04B001	SADD04B001	Without air pre-heater for engine	
Q2 DD04B002	SADD04B002	Air heater for engine Common	

Pos	Part	Q1	Q2	Q3	Q4	Q5	PS	Kit	Description	Option(s)	Remark
1	SA3924584	4	4						Screw		
2	SA3924579	1	1						Adapter		
3	SA3914494	1	1						Pulley		
4	SA3925233	1	1						Damper		

Date: 2013/10/26	Image id: SA120	Catalogue: 56117	Model: EC210
Brand: Volvo	Serial: 3001-9999	Group/Section: 217/100	Title: Oil sump



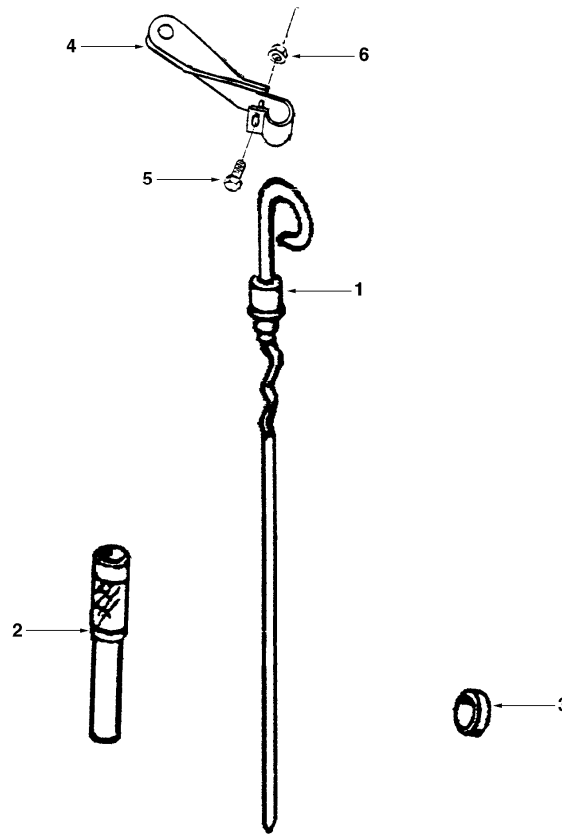
Section option	Kit	Option description
SADD04B001		Without air pre-heater for engine
SADD04B002		Air heater for engine Common

Q1-Q5	Option	Option description	
Q1 DD04B001	SADD04B001	Without air pre-heater for engine	
Q2 DD04B002	SADD04B002	Air heater for engine Common	

Pos	Part	Q1	Q2	Q3	Q4	Q5	PS	Kit	Description	Option(s)	Remark
1	SA3282266	1	1						Plug		
2	SA3863104	1	1						Oil Pan		
3	SA3863105	1	1						Connector		
4	SA3900630	3	3						Screw		
5	SA3902425	1	1						Washer		
6	SA3907860	36	36						Screw		
7	SA3283505	1	1						Valve		

8	SA3282945	1	1					Adapter		
---	-----------	---	---	--	--	--	--	---------	--	--

Date: 2013/10/26	Image id: SA121	Catalogue: 56117	Model: EC210
Brand: Volvo	Serial: 3001-9999	Group/Section: 217/200	Title: Oil dipstick



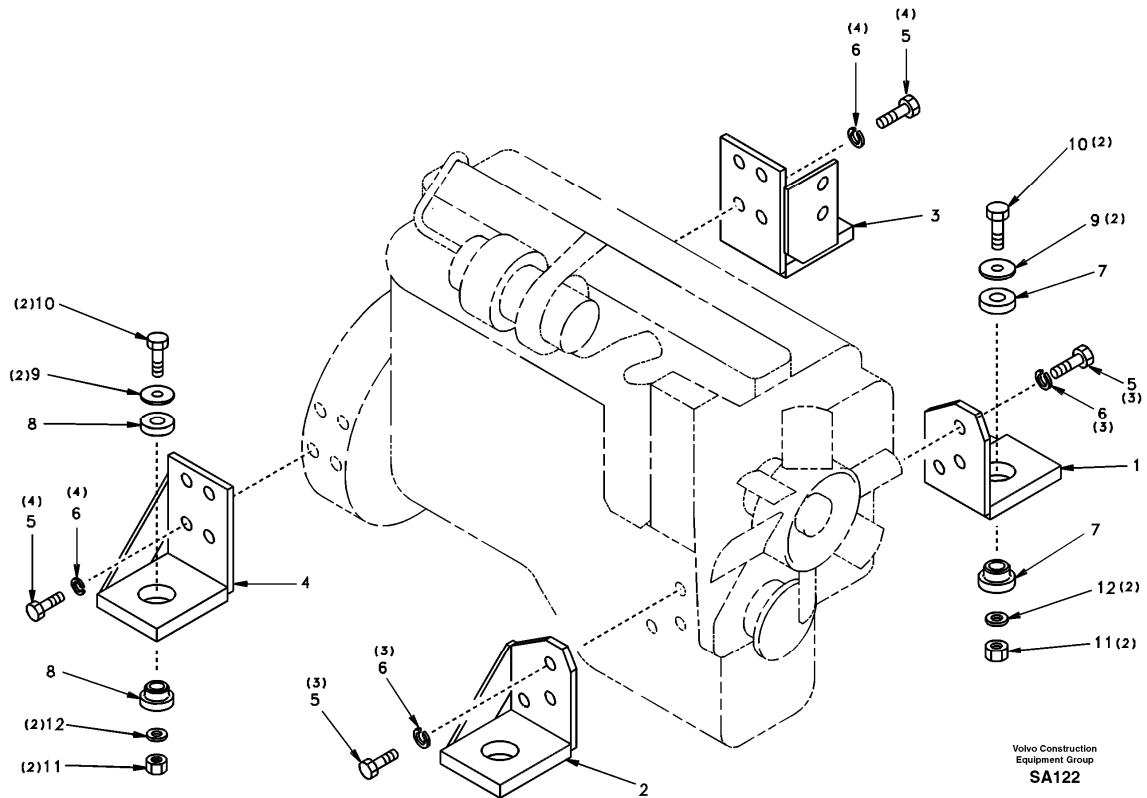
Volvo Construction
Equipment Group
SA121

Section option	Kit	Option description
SADD04B001		Without air pre-heater for engine
SADD04B002		Air heater for engine Common

Q1-Q5	Option	Option description	
Q1 DD04B001	SADD04B001	Without air pre-heater for engine	
Q2 DD04B002	SADD04B002	Air heater for engine Common	

Pos	Part	Q1	Q2	Q3	Q4	Q5	PS	Kit	Description	Option(s)	Remark
1	SA3283825	1	1						Dipstick		
2	SA3283537	1	1						Pipe		
3	SA3900955	1	1						Plug		
4	SA3915152	1	1						Brace		
5	SA3900629	1	1						Screw		
6	SA3900240	1	1						Nut		

Date: 2013/10/26	Image id: SA122	Catalogue: 56117	Model: EC210
Brand: Volvo	Serial: 3001-9999	Group/Section: 218/100	Title: Engine mount



Pos	Part	Q1	Q2	Q3	Q4	Q5	PS	Kit	Description	Option(s)	Remark
1	SA1112-00010	1							Bracket		
2	SA1112-00020	1							Bracket		
3	SA1112-00030	1							Bracket		
4	SA1112-00040	1							Bracket		
5	SA9011-11207	14							Bolt		
6	SA9213-12000	14							Spring Washer		
7	SA1112-00050	2							Cushion		FRONT
8	SA1112-00060	2							Cushion		REAR
9	SA2012-00110	4					SS		Plate		
10	SA9011-22221	4							Hexagon screw		
11	SA9111-12200	4							Hexagon nut		
12	SA9211-22000	4							Washer		

Thank you so much for reading.
Please click the “Buy Now!”
button below to download the
complete manual.



After you pay.

You can download the most
perfect and complete manual in
the world immediately.

Our support email:

ebooklibonline@outlook.com