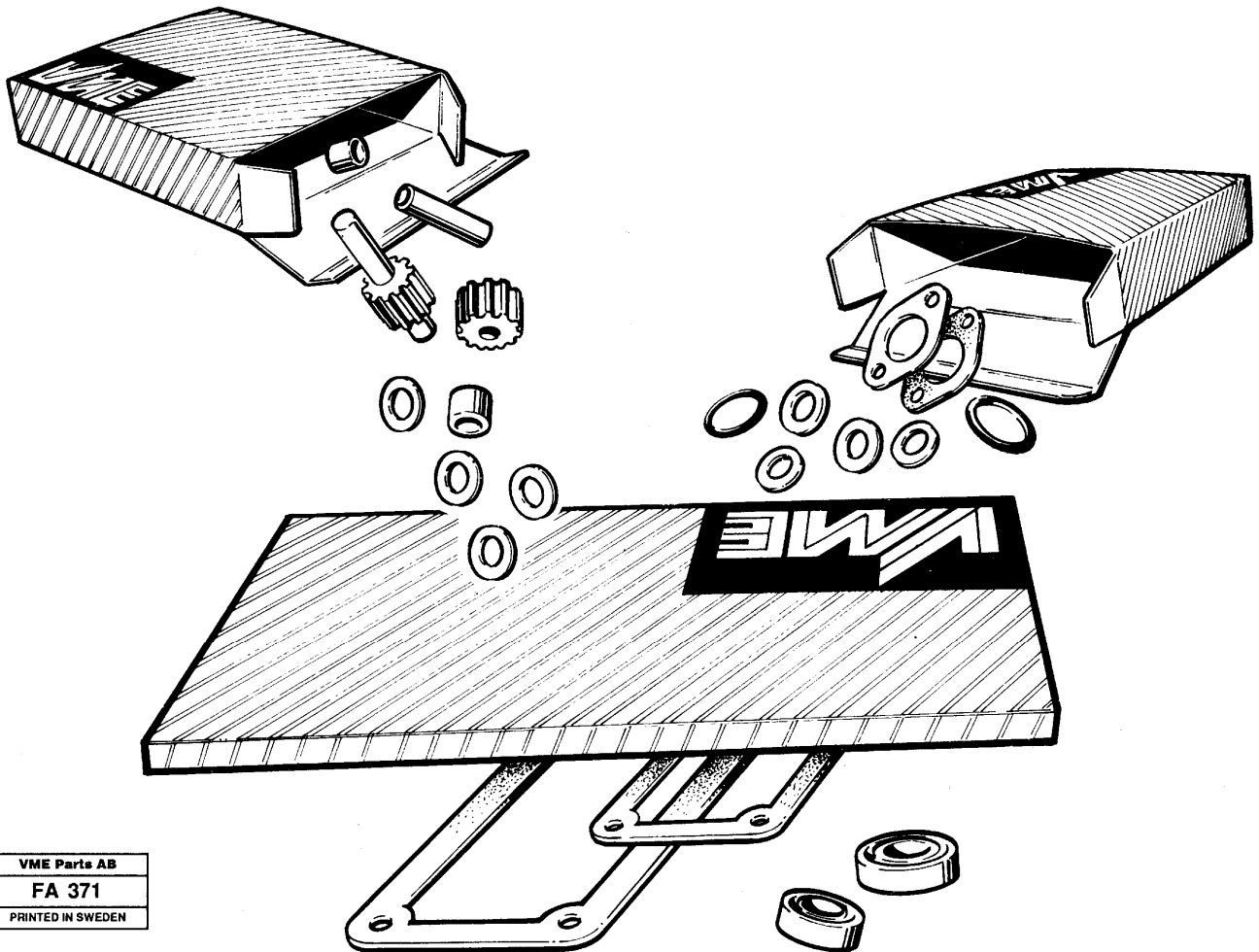


Date: 2013/11/2	Image id: FA371	Catalogue: 99509	Model: EC230B
Brand: Åkerman	Serial: 4369-5251	Group/Section: 210/100	Title: Repair kits for engine



VME Parts AB
FA 371
PRINTED IN SWEDEN

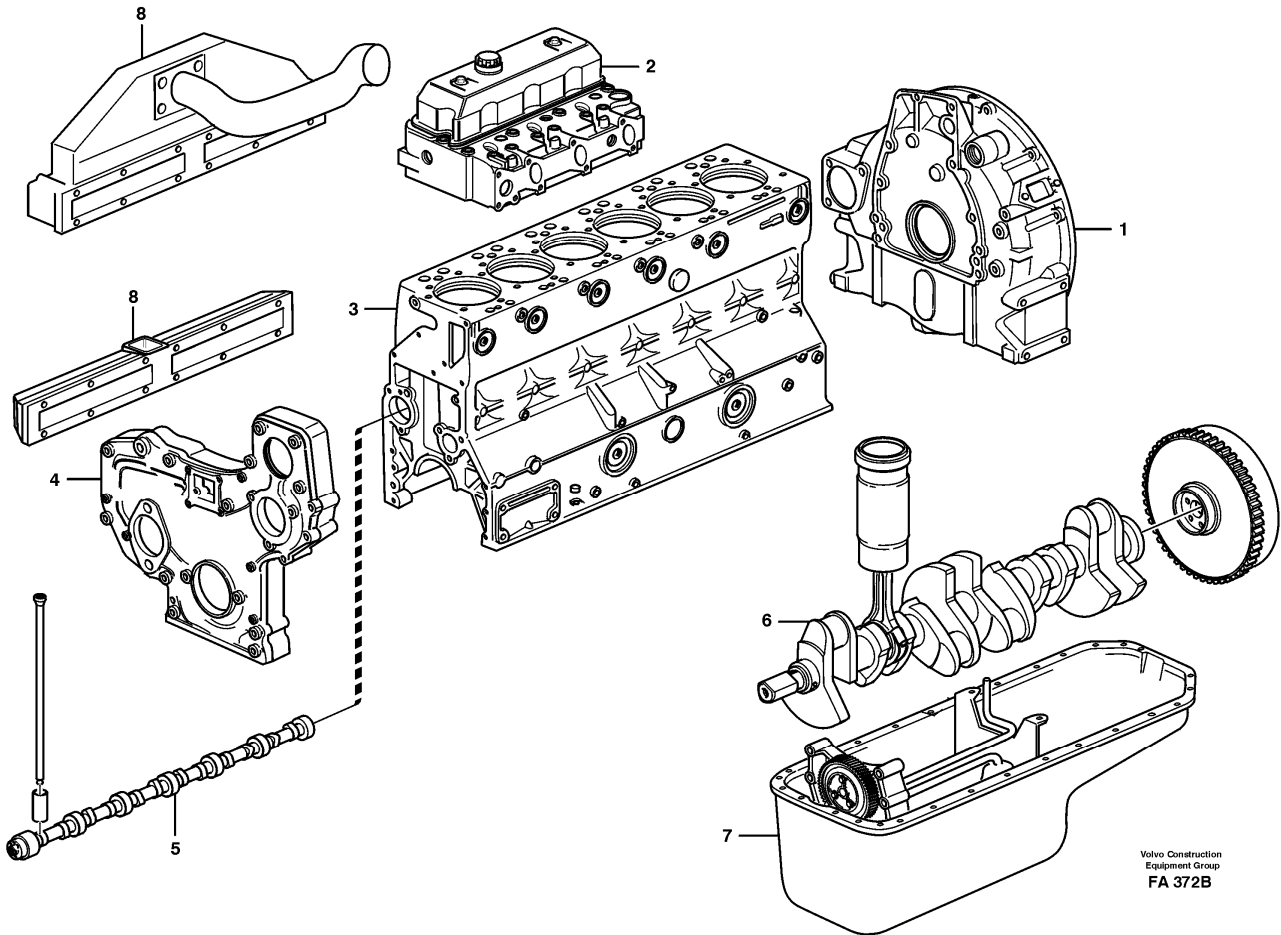
Q1-Q5	Option	Option description	
Q1 TD 61 GE			
Q2 TD 63 KIE			

Pos	Part	Q1	Q2	Q3	Q4	Q5	PS	Kit	Description	Option(s)	Remark
	VOE275774	2	2				SS		Gasket kit		FOR CYLINDER HEAD / FÖR CYLINDERLOCK See ref 211/100
	VOE876199	6							Cylinder liner kit		See ref 213/100
	VOE276929		6						Cylinder liner kit		
	VOE271161	6	6						•Sealing ring kit		

	VOE276310	6	6						•Piston ring kit		
		6							Big end bearing kit		See ref 216/100
		7	7						Mn bearing kit		See ref 216/100
	VOE276751	1	1						Thrust washer kit		STD
	VOE276151	1							Repair kit		FOR OIL PUMP / FÖR OLJEPUMP See ref 221/100
	VOE276152		1						Repair kit		FOR OIL PUMP / FÖR OLJEPUMP
	VOE276803	1					SS		Repair kit		FOR WATER PUMP / FÖR VATTENPUMP See ref 262/150
	VOE276804		1				SS		Water pump kit		
	VOE11997139	1							Overhaul kit		Step 1 / steg 1
	VOE275774	2					SS		•Gasket kit		See ref 211/100
	VOE275776	1	1						•Gasket kit		Supplementary for decar - bonizing the engine /
											tillägg för sotning
	VOE1661993	1							•Thermostat		See ref 262/100
	VOE471682	3							•Gasket		(VOE424619) See ref 251/150
	VOE420538	6							•Gasket		See ref 251/200
	VOE420618	2							•Gasket		
	VOE11997140	1					OP		Overhaul kit		Step 1 supplement / steg 1 tillägg See ref 211/100
	VOE465158	6							•Valve seat		
	VOE465155	6							•Valve seat		
	VOE420553	6					SS		•Inlet valve		
	VOE8192143	6							•Exhaust valve		(VOE465549)
	VOE477792	12							•Valve guide		
	VOE270575	6					SS		•Repair kit		
	VOE11997143	1					OP		Overhaul kit		
	VOE270139	6							•Piston Bearing		See ref 216/100

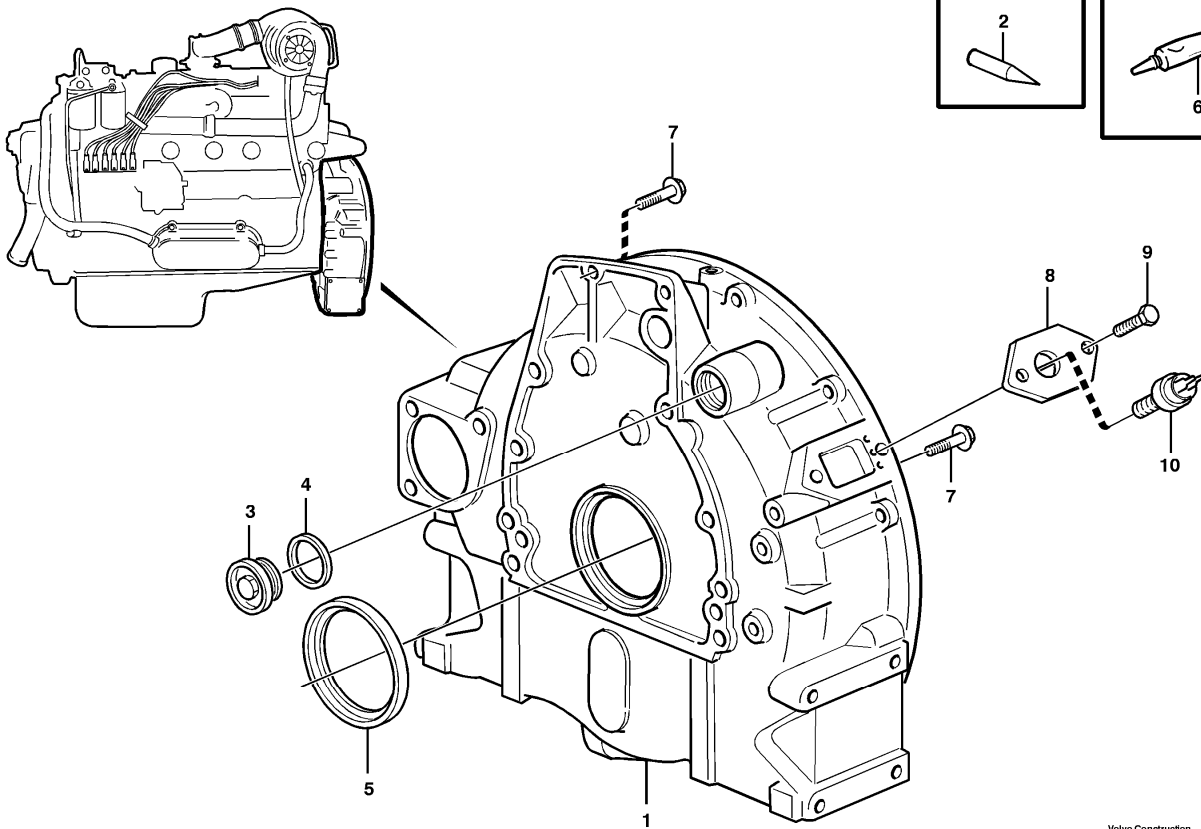
VOE11030751	2								•Sealing ring		
VOE477059	1								•O-ring		
VOE925057	2								•O-ring		
VOE925092	1								•O-ring		
VOE925094	1								•O-ring		
VOE925256	1								•O-ring		
VOE925257	1								•O-ring		
VOE13925095	1								•O-ring		
VOE13948981	1								•O-ring		
VOE13949656	2								•O-ring		
VOE13949722	1								•O-ring		
VOE13975610	1								•O-ring		
VOE477119	1								•Crankshaft seal		

Date: 2013/11/2	Image id: FA372B	Catalogue: 99509	Model: EC230B
Brand: Åkerman	Serial: 4369-5251	Group/Section: 210/150	Title: Engine



Pos	Part	Q1	Q2	Q3	Q4	Q5	PS	Kit	Description	Option(s)	Remark
	VOE15003893	1							Engine		(VOE497038)TD 61 GE
	VOE15004131	1							Engine		(VOE8188110)TD 63 KIE
1									Flywheel housing		See ref 210/200
2									Cylinder head		See ref 211/100
3									Cylinder block		See ref 212/100
4									Timing gear casing		See ref 215/100
5									Camshaft		See ref 215/150
6									Crank mechanism		See ref 216/100
7									Oil sump		See ref 217/100
8									Inlet manifold		See ref 251/150
									Charge air cooler		See ref 251/170

Date: 2013/11/2	Image id: FA246B	Catalogue: 99509	Model: EC230B
Brand: Åkerman	Serial: 4369-5251	Group/Section: 210/200	Title: Flywheel housing

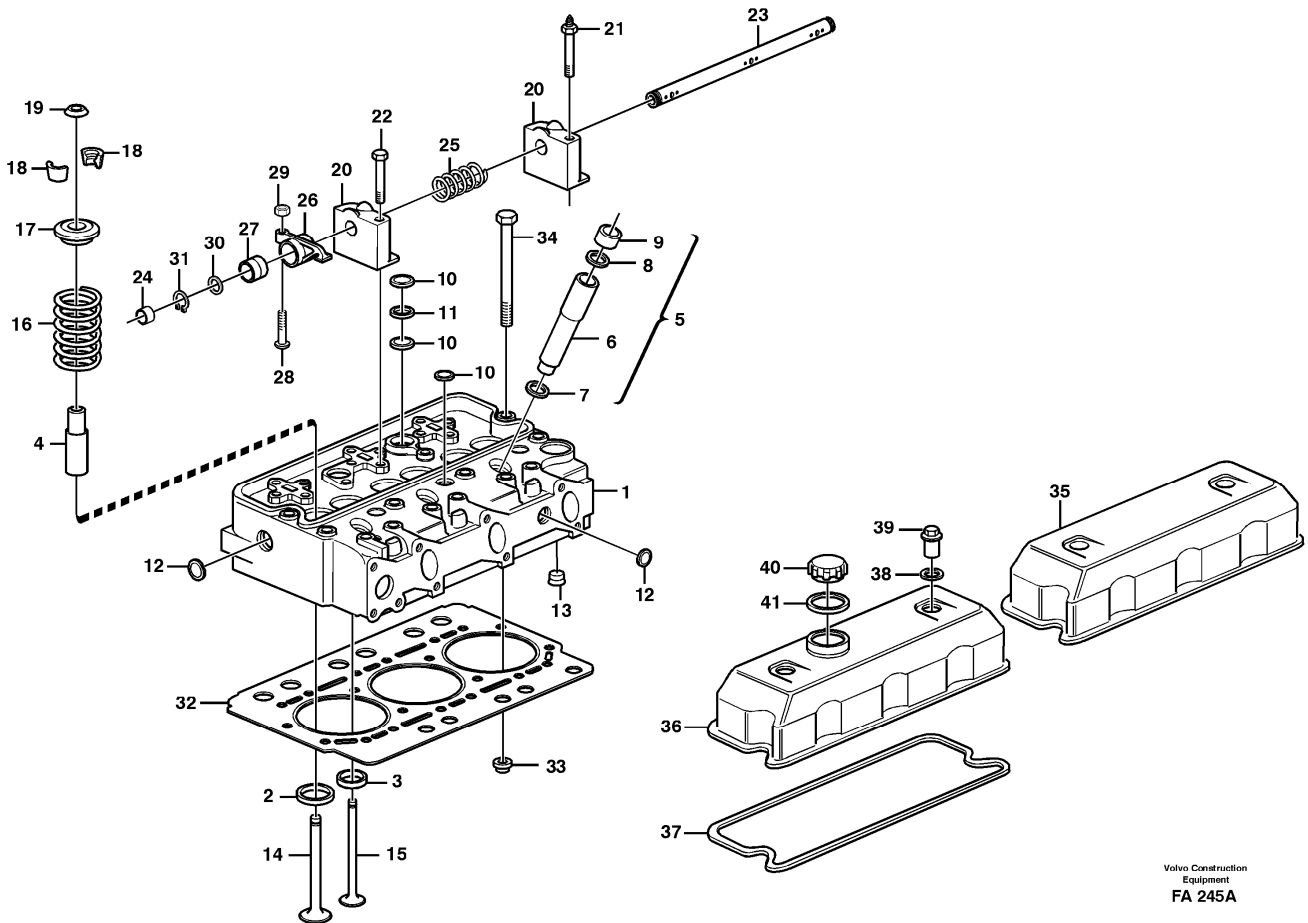


Volvo Construction
Equipment
FA 246B

Pos	Part	Q1	Q2	Q3	Q4	Q5	PS	Kit	Description	Option(s)	Remark
1	VOE4772107						SS		Casing		
	VOE11701056						SS		Casing		
	VOE11701518	1					SS		Flywheel Hsg		
2	VOE864494	1							Setting Indicator		
3	VOE467367	1							Plug		
	VOE180761	1							Plug		(VOE467649)
4	VOE1556907	1							Gasket		
	VOE7011996	1							Gasket		(VOE469328)
5	VOE477119	1							Crankshaft Seal		
6	VOE1161277	REQ							Sealant		20 g
7	VOE13966361	6							Flange screw		L = 55
	VOE13966363	2							Flange screw		L = 65
	VOE968753	2							Flange screw		L = 75
8	VOE14254562	1							Attachment		
9	VOE13955272	2							Screw		

10	VOE14215228	1						Eng Sp Sensor		
----	-------------	---	--	--	--	--	--	---------------	--	--

Date: 2013/11/2	Image id: FA245A	Catalogue: 99509	Model: EC230B
Brand: Åkerman	Serial: 4369-5251	Group/Section: 211/100	Title: Cylinder head TD 61 GE

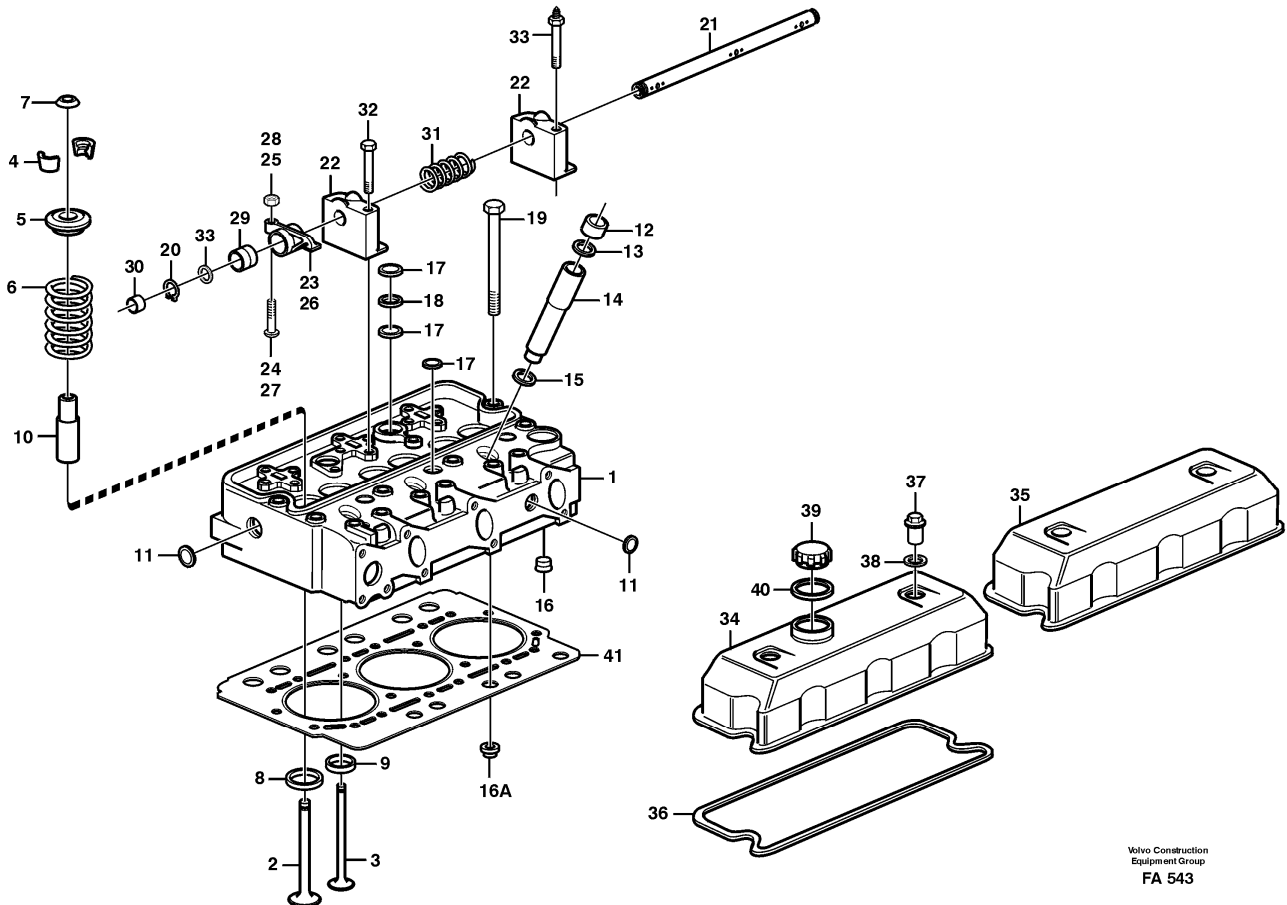


Volvo Construction
Equipment
FA 245A

Pos	Part	Q1	Q2	Q3	Q4	Q5	PS	Kit	Description	Option(s)	Remark
	VOE420508	2							Cylinder head		
	VOE420942	2					NS		•Cylinder head		TD 61 GE
1	VOE465781	2					NS		••Cylinder head		
2	VOE465158	6							•••Valve seat		STD: inlet / insug
	VOE465238	6							•••Valve seat		0,20 O SZ
3	VOE465155	6							•••Valve seat		STD: exhaust / avgas
	VOE465236	6							•••Valve seat		0,20 O SZ
4	VOE477792	12							•••Valve guide		
5	VOE270575	2					SS		••Repair kit		
6	VOE8192085	6							•••Sleeve		(VOE466404)
7	VOE466922	6							•••Sealing ring		
8	VOE466405	6							•••Sealing ring		
9	VOE466420	6							•••Ring		
10	VOE477026	14							•••Expansion plug		

11	VOE947626	4							•••Gasket		
12	VOE477024	8							•••Expansion plug		
13	VOE465420	4							•••Nozzle		
14	VOE420553	6					SS		•Inlet valve		
15	VOE8192143	6							•Exhaust valve		(VOE465549)
16	VOE465233	12							•Valve spring		
17	VOE465550	12							•Washer		
18	VOE1677875	24							•Valve Collet		
19	VOE465551	12							•Protecting sleeve		
20	VOE1665204	6							Bearing Bracket		(VOE465793)
21	VOE471512	4							Screw		
22	VOE471513	8							Screw		
23	VOE465790	2							Shaft		
24	VOE13955083	4							•Cap plug		(VOE955083)
25	VOE411139	4							Spring		
26	VOE7420129	6							Rocker arm		inlet / insug
	VOE420132	6							Rocker arm		exhaust / avgas
27	VOE420125	12							•Bushing		(VOE7420125)
28	VOE422993	12							•Bolt		(VOE423058)
29	VOE940175	12							•Nut		
30	VOE7400722	4							Shim		(VOE400722)
31	VOE914456	4							Retaining ring		
	VOE276821	2							Gasket kit		
32		2					NS		•Gasket		cylinderhuvud
33	VOE422413	2							•Sealing ring		ID = 10
	VOE466421	16							•Sealing ring		ID = 15
	VOE465784	12							•Sealing		ID = 25
34	VOE465840	40							Screw		
35	VOE465951	1							Valve cover		
36	VOE465950	1					OP		Valve cover		
37	VOE465952	2							Gasket		
38	VOE471856	4							Sealing ring		
39	VOE465961	4							Cap nut		
40	VOE421753	1							Filler cap		
41	VOE1275379	1							Gasket		(VOE940096)

Date: 2013/11/2	Image id: FA543	Catalogue: 99509	Model: EC230B
Brand: Åkerman	Serial: 4369-5251	Group/Section: 211/200	Title: Cylinder head TD 63/KIE

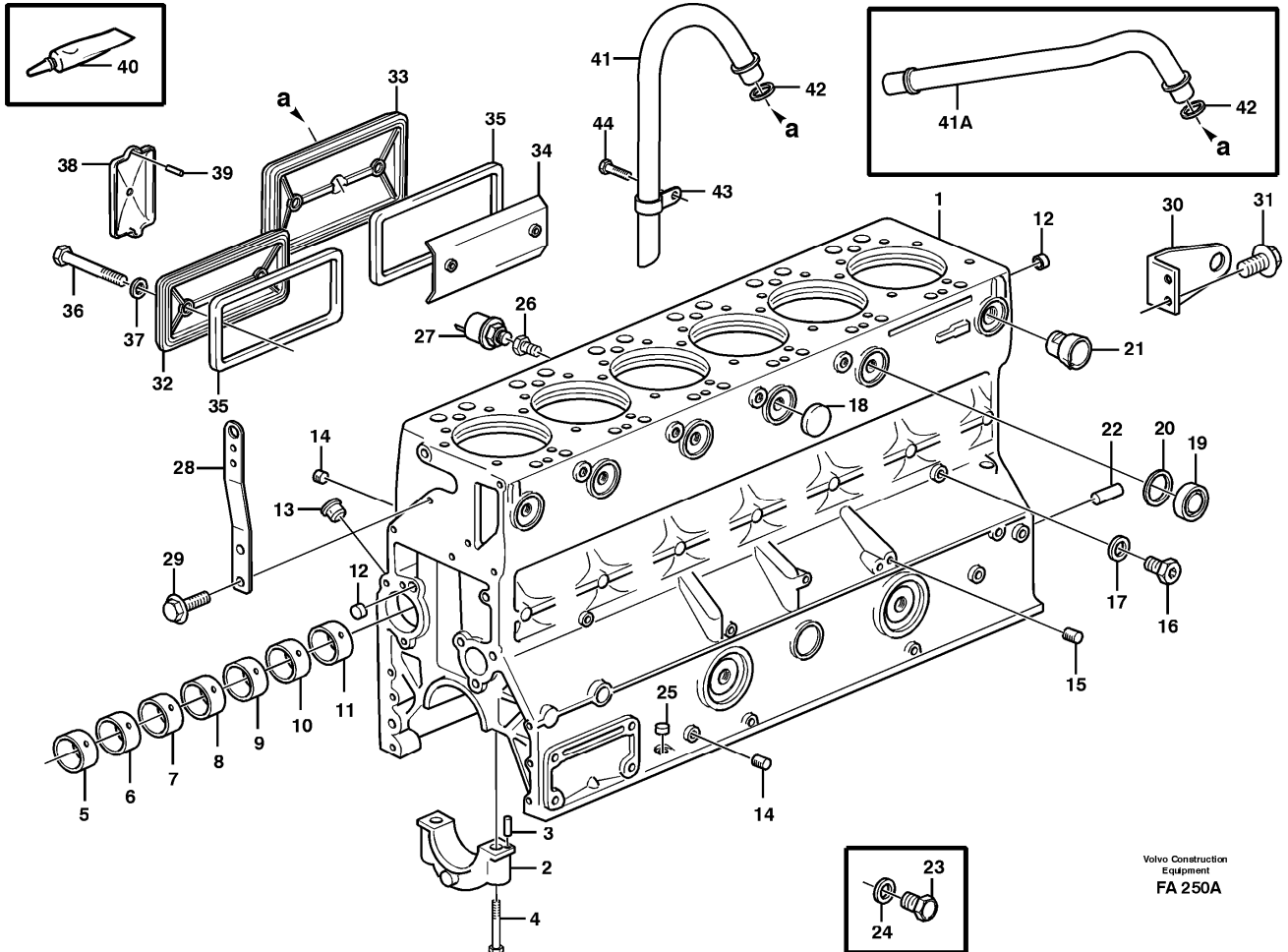


Volvo Construction
Equipment Group
FA 543

Pos	Part	Q1	Q2	Q3	Q4	Q5	PS	Kit	Description	Option(s)	Remark
1	VOE420878	2							Cylinder head		
2	VOE420553	6					SS		•Inlet valve		
3	VOE8192143	6							•Exhaust valve		
4	VOE1677875	24							•Valve Collet		
5	VOE465550	12							•Washer		
6	VOE465233	12							•Valve spring		
7	VOE465551	12							•Protecting sleeve		
8	VOE420874	6							•Valve seat		
9	VOE420875	6							•Valve seat		
10	VOE477792	12							•Valve guide		
11	VOE477024	8							•Expansion plug		
12	VOE466420	6							•Ring		
13	VOE466405	6							•Sealing ring		
14	VOE8192085	6							•Sleeve		

15	VOE466922	6							•Sealing ring		
16	VOE465420	4							•Nozzle		
16A	VOE422413	2						K	•Sealing ring		ID = 10
	VOE466421	16						K	•Sealing ring		ID = 15
	VOE465784	12						K	•Sealing		ID = 25
17	VOE477026	14							•Expansion plug		
18	VOE947626	4							•Gasket		
19	VOE465840	40							•Screw		
	VOE3978024	2						NS	•Bridge		
20	VOE914456	4							•Retaining ring		
21	VOE465791	2						NS	•Shaft		
22	VOE1665204	6							•Bearing Bracket		
23	VOE7420129	3							•Rocker arm		
24	VOE422993	3							••Bolt		
25	VOE940175	3							••Nut		
26	VOE420132	3							••Rocker arm		
27	VOE422993	3							•••Bolt		
28	VOE940175	3							•••Nut		
29	VOE420125	12							•••Bushing		
30	VOE13955083	4							••Cap plug		
31	VOE411139	4							••Spring		
32	VOE471513	8							••Screw		
33	VOE471512	4							••Screw		
34	VOE8192015	1							••Valve cover		
35	VOE8192016	1							••Valve cover		
36	VOE8192009	2							••Sealing strip		
37	VOE8148488	4							••Lock nut		
38	VOE8192526	4							••Bushing		
39	VOE421753	1							••Filler cap		
40	VOE1275379	1							••Gasket		(VOE940096)
41		2						K	Gasket		
	VOE276821								Gasket kit		

Date: 2013/11/2	Image id: FA250A	Catalogue: 99509	Model: EC230B
Brand: Åkerman	Serial: 4369-5251	Group/Section: 212/100	Title: Cylinder block



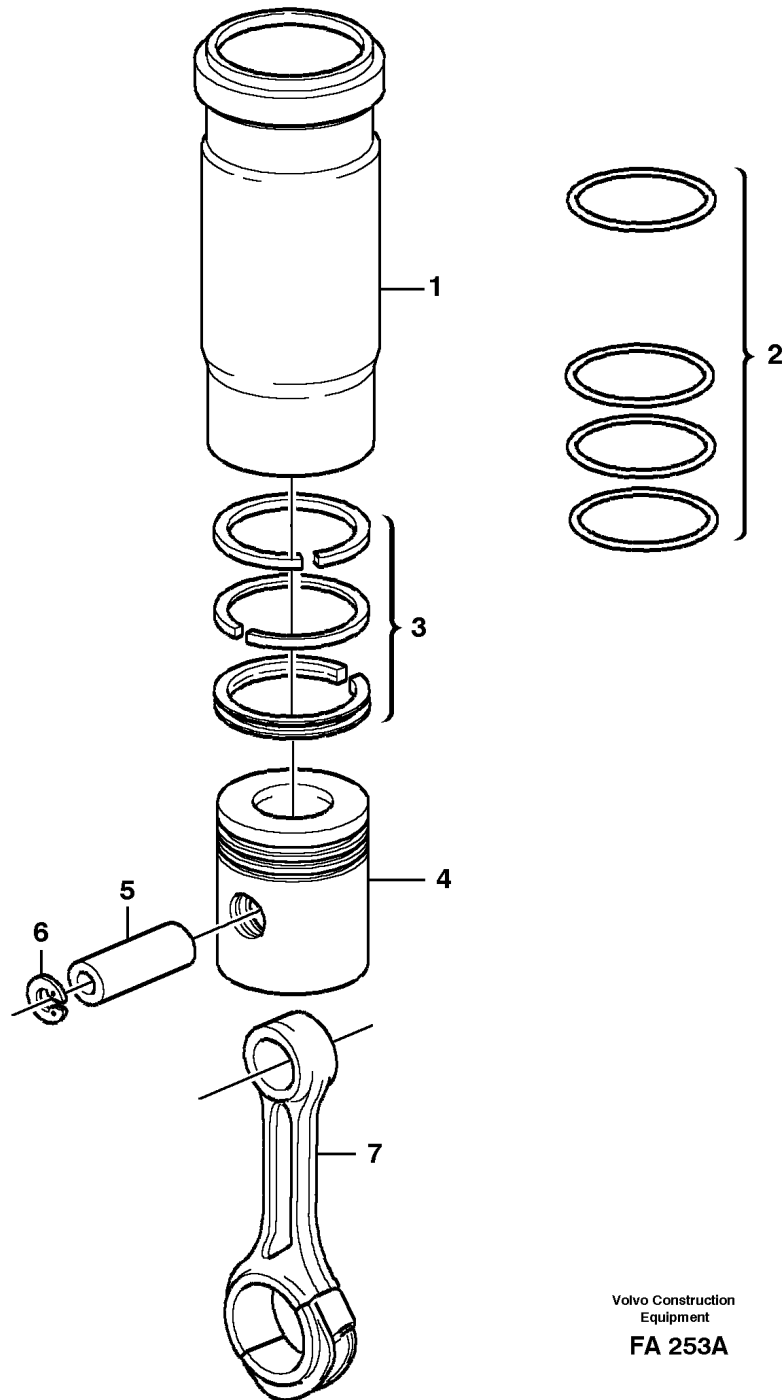
Volvo Construction
Equipment
FA 250A

Q1-Q5	Option	Option description	
Q1 TD 61 GE			
Q2 TD 63 KIE			

Pos	Part	Q1	Q2	Q3	Q4	Q5	PS	Kit	Description	Option(s)	Remark
	VOE420990	1	1						Cylinder block		
1	VOE420981	1	1				NS		•Cylinder block		
2		7	7				NS		•Cap		
3	VOE422426	1	1						•Pin		
4	VOE465899	14	14						•Screw		
5	VOE422076	1	1						•Bushing		
6	VOE422077	1	1						•Bushing		(VOE7422077)
7	VOE422078	1	1						•Bushing		
8	VOE11000014	1	1						•Bushing		(VOE422079)

9	VOE422080	1	1						•Bushing		(VOE7422080)
10	VOE422081	1	1						•Bushing		
11	VOE422082	1	1						•Bushing		
12	VOE955082	6	6						•Cap plug		
13	VOE422369	2	2						•Plug		
14	VOE479979	5	5						•Plug		1/8"NPTF
15	VOE952076	3	3				SS		•Plug		3/8"NPTF
16	VOE965768	1	1				SE		•Plug		
17	VOE13947281	1	1						•Gasket		
18	VOE968955	4	4				SE		•Expansion Plug		
19	VOE467367	2	2						•Plug		(VOE467649)
20	VOE1556907	2	2						•Gasket		(VOE469328)
21	VOE421154	6	6						•Nozzle		
22	VOE191171	2	2						•Pin		(VOE191171)
23	VOE960630	1	1						Plug		
24	VOE13969011	1	1						Gasket		
25	VOE955082	2	2						Cap plug		
26	VOE835980	1	1						Nipple		
27	VOE864415	1	1						Oil pressure sensor		
28	VOE848346	1	1				NS		Iron		Front / främre
29	VOE13965191	2	2						Screw		
30	VOE465994	2	2				NS		Lifting eye		Rear / bakre
31	VOE13965191	4	4						Screw		
32	VOE420120	1	1						Inspection lid		
33	VOE420121	1	1						Hatch		
34	VOE3978045	1	1						Splash plate		(VOE471858)
35	VOE421121	2	2						Gasket		
36	VOE471855	5	5						Screw		
37	VOE471856	5	5						Sealing ring		
38	VOE471854	1	1						Cover		
39	VOE951974	1	1						Spring pin		
40	VOE1161277	REQ	REQ						Sealant		20 g
41	VOE848497	1							Breather pipe		
41A	VOE11032901		1						Breather pipe		
42	VOE421158	1	1						Sealing ring		
43	VOE968124	1							Clamp		
44	VOE946440	1							Flange screw		

Date: 2013/11/2	Image id: FA253A	Catalogue: 99509	Model: EC230B
Brand: Åkerman	Serial: 4369-5251	Group/Section: 213/100	Title: Cylinder liner and piston



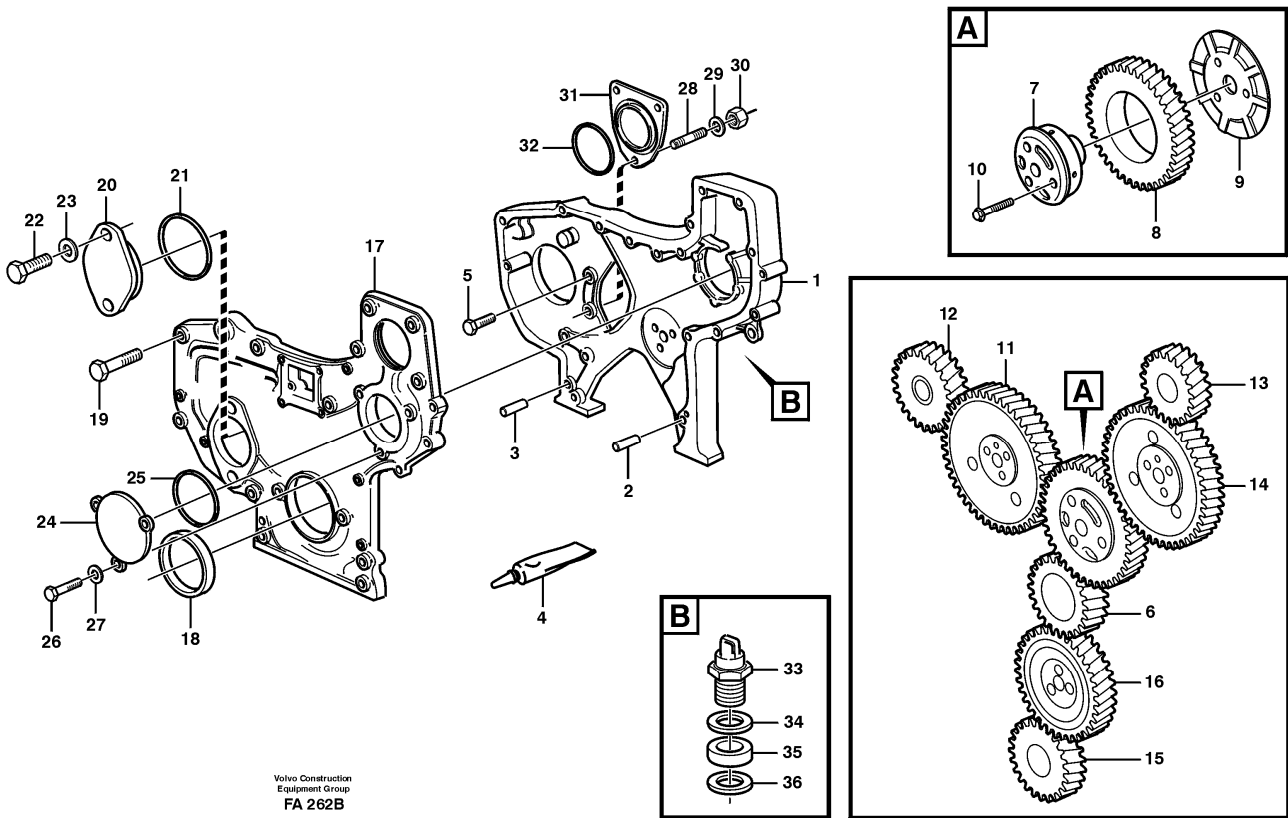
Volvo Construction
Equipment
FA 253A

Q1-Q5	Option	Option description	
Q1 TD 61 GE			

Q2 TD 63 KIE			
--------------	--	--	--

Pos	Part	Q1	Q2	Q3	Q4	Q5	PS	Kit	Description	Option(s)	Remark
		6							Cylinder liner kit		See ref 210/100
			6						Cylinder liner kit		See ref 210/100
1		6	6				NS		•Cylinder liner		
2		6	6						•Seg ring kit		See ref 210/100
3		6	6						•Piston ring kit		See ref 210/100
4	VOE847386	6					NS		•Piston		
	VOE3978040		6				NS		•Piston		
5	VOE3978023	6							•Piston Pin		(VOE420988)
	VOE3978023		6						•Piston Pin		
6	VOE914523	12	12						•Snap Ring		
7		6	6						Connecting rod		See ref 216/100

Date: 2013/11/2	Image id: FA262B	Catalogue: 99509	Model: EC230B
Brand: Åkerman	Serial: 4369-5251	Group/Section: 215/100	Title: Timing gear casing

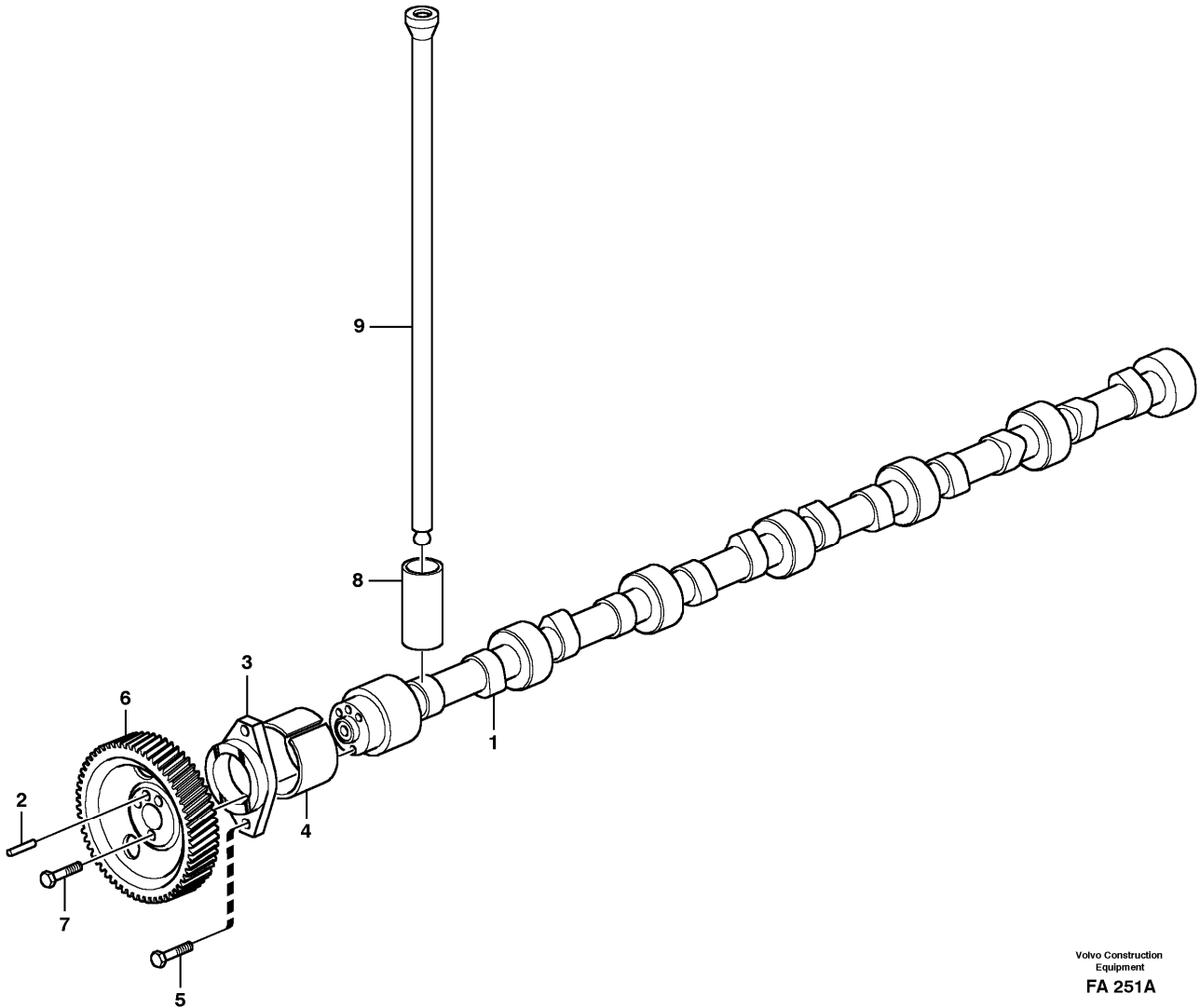


Q1-Q5	Option	Option description	
Q1 TD 61 GE			
Q2 TD 63 KIE			

Pos	Part	Q1	Q2	Q3	Q4	Q5	PS	Kit	Description	Option(s)	Remark
1	VOE465797	1							Tmg Gear Casing		
	VOE8192775		1				SS		Tmg Gear Casing		
2	VOE13941511	1	1						Pin		(941511)
3	VOE13941510	1	1						Pin		(941510)
4	VOE1161277	REQ	REQ						Sealant		20 g
5	VOE471534	2	2						Screw		L = 28
	VOE471535	2	2						Screw		L = 58
6		1	1						Gear		Crankshaft / vevaxel See ref 216/100
7	VOE11704619	1	1						Axle		
8	VOE8192518	1	1						Idler Gear		(VOE471552)
9	VOE478951	1	1						Thrust Washer		(VOE467529)

10	VOE471554	3	3						Screw		
11		1	1						Gear		Camshaft / kamaxel See ref 215/150
12		1	1						Gear		Gear/Servopump See ref 914/700
13		1							Gear		Water pump TD 61 See ref 262/150
			1						Gear		Water pump TD 63 See ref 262/125
14		1							Gear		Injection pump TD 61 See ref 236/100
			1						Gear		Insprutn.pump TD 63 See ref 236/300
15		1	1						Gear		Oil pump / oljepump See ref 221/100
16		1	1						Gear		Oil pump / oljepump See ref 221/100
17	VOE465797	1							Tmg Gear Casing		
	VOE8192590		1						Tmg Gear Cover		
			1			NS			•Timing gear cover		
18	VOE477118	1	1						•Sealing ring		
19	VOE13947760	7	7						Flange screw		L = 40: (947760)
	VOE13948217	2	2						Flange screw		L = 45: (948217)
	VOE13965216	1	1						Screw		L = 55: (965216)
	VOE13965182	6	6						Flange screw		L = 80: (965182)
	VOE13965183	2	2						Flange screw		L = 90: (965183)
	VOE965225	1	1						Flange screw		M12, L = 35
20	VOE465735	1	1						Cap		
21	VOE925094	1	1						O-ring		
22	VOE946472	1	1						Flange screw		L = 30
	VOE13965187	1	1						Flange screw		L = 60: (965187)
23	VOE955895	2	2						Washer		
24	VOE471559	1	1						Cap		
25	VOE925257	1	1						O-ring		
26	VOE13945444	3	3						Flange screw		(VOE945444)
27	VOE13941907	3	3						Spring Washer		(VOE941907)
28	VOE967951	3	3						Stud		
29	VOE955899	3	3						Washer		
30	VOE13971097	3	3						Flange nut		(VOE965484)
31	VOE420178	1	1						Cover		
32	VOE13975610	1	1						O-ring		(VOE413619)
33	VOE1502028	1	1						Eng Sp Sensor		
34	VOE13947624	1	1						Plane Gasket		
35	VOE863412	1	1						Sleeve		
36	VOE925059	1	1						O-ring		(14012270)

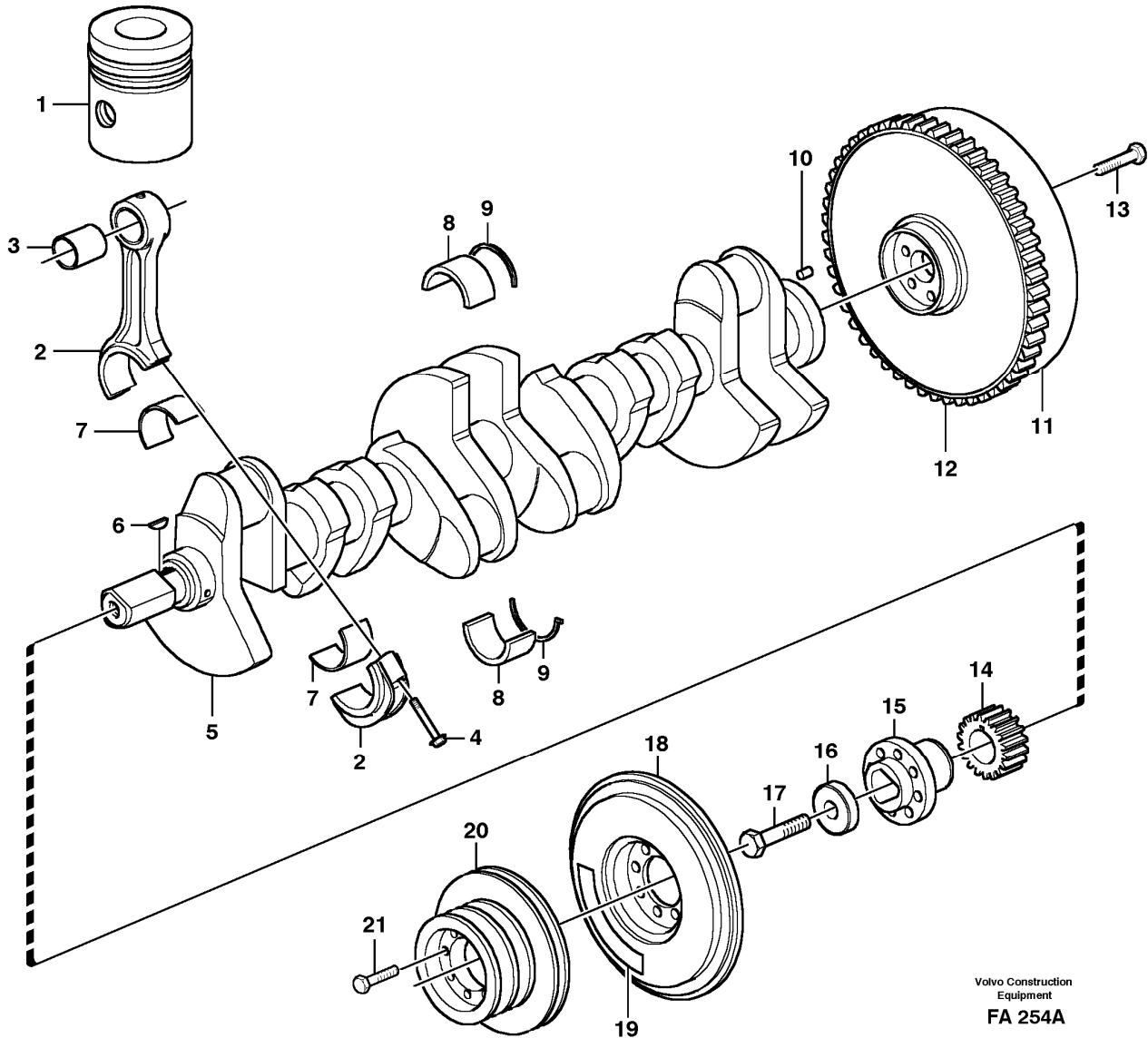
Date: 2013/11/2	Image id: FA251A	Catalogue: 99509	Model: EC230B
Brand: Åkerman	Serial: 4369-5251	Group/Section: 215/150	Title: Camshaft



Volvo Construction
Equipment
FA 251A

Pos	Part	Q1	Q2	Q3	Q4	Q5	PS	Kit	Description	Option(s)	Remark
1	VOE465787	1							Camshaft		
2	VOE950588	1							•Pin		
3	VOE465789	1							Flange		
4		7							Bearing bushing		See ref 212/100
5	VOE471509	2							Screw		
6	VOE478297	1							Gear		TD 61 GE
	VOE471528	1							Gear		TD 63 KIE
7	VOE471555	3							Screw		TD 61 GE
	VOE471554	3							Screw		TD 63 KIE

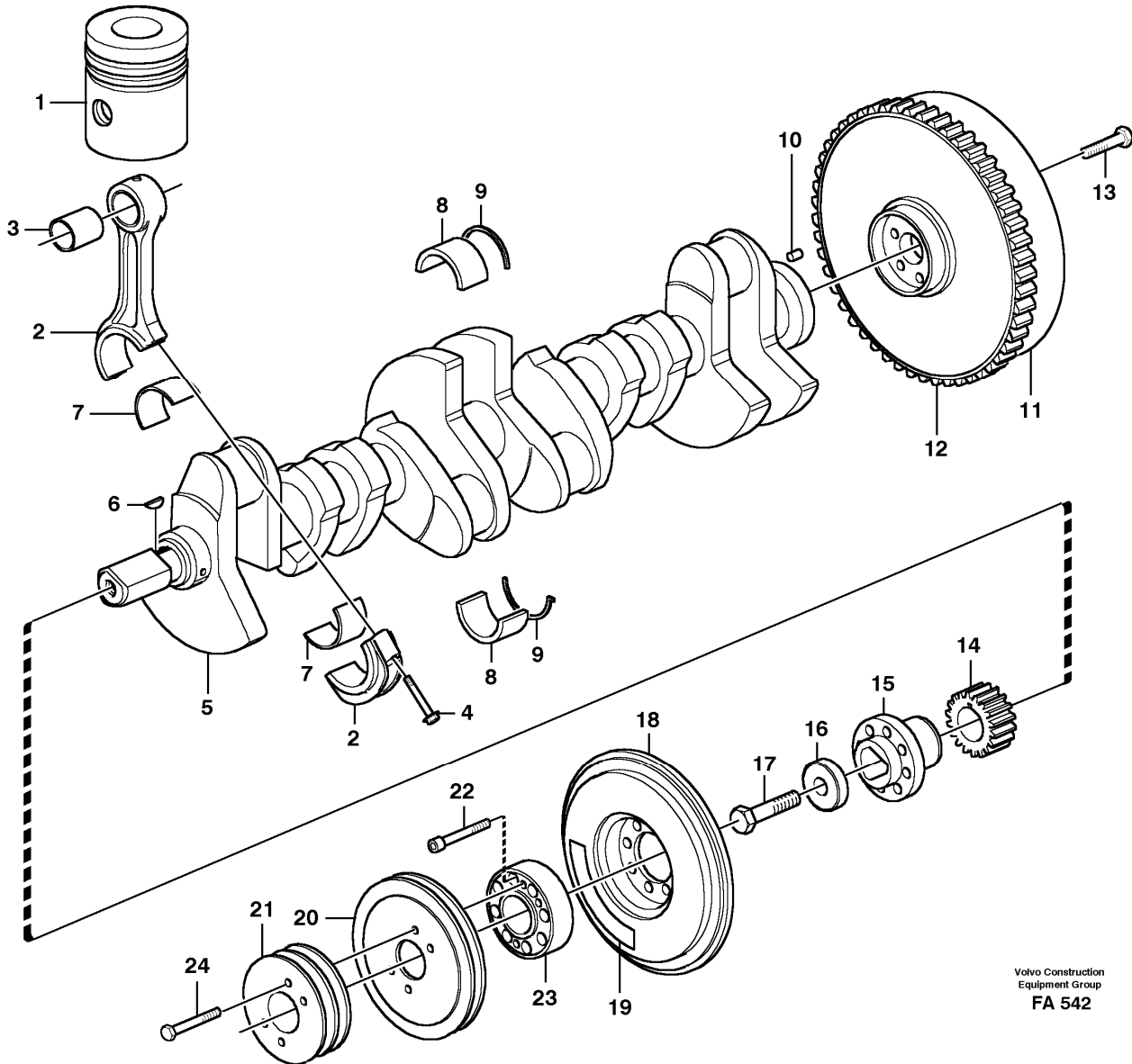
Date: 2013/11/2	Image id: FA254A	Catalogue: 99509	Model: EC230B
Brand: Åkerman	Serial: 4369-5251	Group/Section: 216/100	Title: Crankshaft and related parts TD 61 GE



Pos	Part	Q1	Q2	Q3	Q4	Q5	PS	Kit	Description	Option(s)	Remark
1		6							Cylinder liner kit		
2	VOE3092237	6							Connecting Rod		(VOE465812)
3	VOE465816	6							•Bushing		
4	VOE465815	12							•Screw		
5	VOE420662	1					SS		Crankshaft		ENG - 106089, 6 hole
	VOE8192122	1					SS		Crankshaft		ENG 106090 -, 9 hole
6	VOE422253	1							•Key		

7	VOE270139	12						Piston Bearing		STD
	VOE270140	12						Big End Brg Kit		0,25 U SZ
	VOE270141	12						Big End Brg Kit		0,50 U SZ
	VOE270142	12						Big End Brg Kit		0,75 U SZ
	VOE270144	6					OP	Big End Brg Kit		1,25 U SZ
8	VOE271230	7						Mn Bearing Kit		STD
	VOE271231	7						Mn Bearing Kit		0,25 U SZ
	VOE271232	7						Mn Bearing Kit		0,50 U SZ
	VOE271233	7						Mn Bearing Kit		0,75 U SZ
	VOE271234	7						Mn Bearing Kit		1,00 U SZ
9	VOE276751	1						Thr Washer Kit		STD
	VOE276752	1						Thrust Washer		(VOE7276752)0,1 O SZ
	VOE276753	1						Thrust Washer		(VOE7276753)0,2 O SZ
10	VOE950677	1						Pin		
11	VOE864260	1					OP	Flywheel		ENG - 106089, 6 hole
	VOE3825732	1						Flywheel		ENG 106090 -, 9 hole
12	VOE420314	1						•Gear Ring		(VOE420067)
13	VOE465825	6-9						Screw		ENG - 106089
14	VOE471528	1						Gear		
15	VOE465779	1						Hub		
16	VOE420124	1						Washer		
17	VOE470366	1						Screw		
18	VOE421515	1						Vib Damper		
19	VOE467834	1						Sign		
20	VOE4772117	1						Strap		
21	VOE471529	8						Screw		

Date: 2013/11/2	Image id: FA542	Catalogue: 99509	Model: EC230B
Brand: Åkerman	Serial: 4369-5251	Group/Section: 216/200	Title: Crankshaft and related parts TD 63 KIE

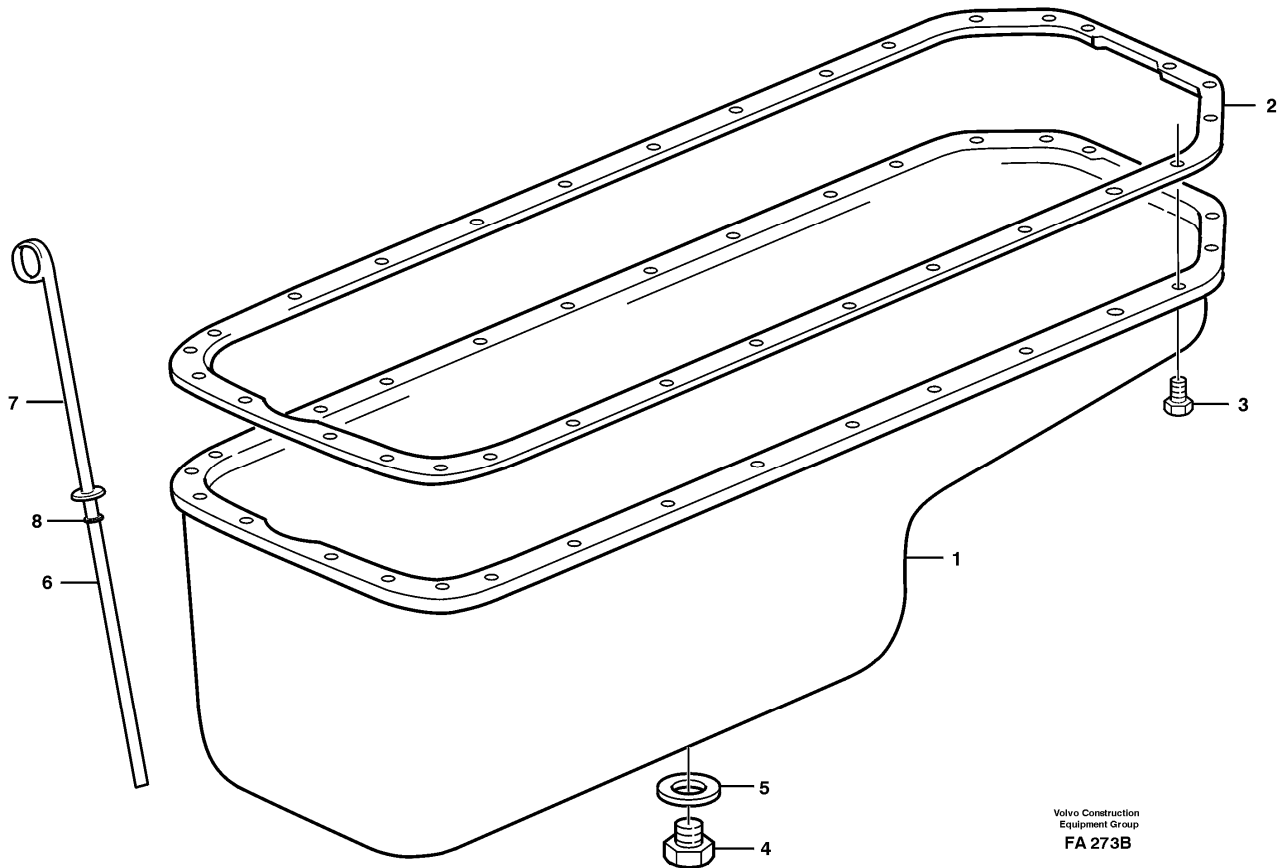


Volvo Construction
Equipment Group
FA 542

Pos	Part	Q1	Q2	Q3	Q4	Q5	PS	Kit	Description	Option(s)	Remark
1		6							Cylinder liner kit		
2	VOE8192120	6					SS		Connecting Rod		
3	VOE465816	6							•Bushing		
4	VOE465815	12							•Screw		
5	VOE8192122	1					SS		Crankshaft		
6	VOE422253	1							•Key		

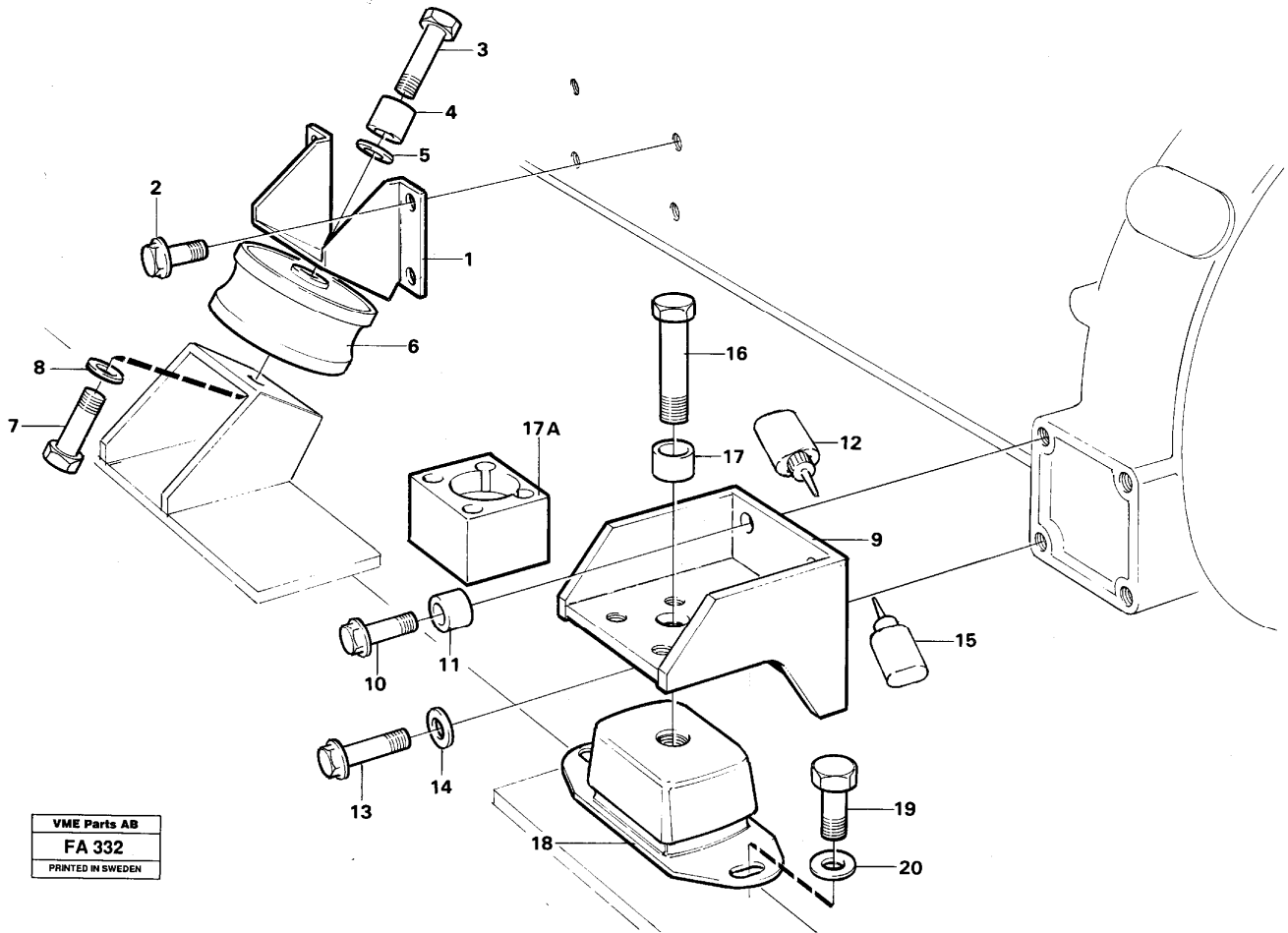
7	VOE270139	12							Piston Bearing		
	VOE270140	12							Big End Brg Kit		0,25 U SZ
	VOE270141	12							Big End Brg Kit		0,50 U SZ
	VOE270142	12							Big End Brg Kit		0,75 U SZ
	VOE270144	6						OP	Big End Brg Kit		1,25 U SZ
8	VOE271230	7							Mn Bearing Kit		STD
	VOE271231	7							Mn Bearing Kit		0,25 U SZ
	VOE271232	7							Mn Bearing Kit		0,50 U SZ
	VOE271233	7							Mn Bearing Kit		0,75 U SZ
	VOE271234	7							Mn Bearing Kit		1,00 U SZ
9	VOE276751	1							Thr Washer Kit		STD
	VOE276752	1							Thrust Washer		(VOE7276752)0,1 O SZ
	VOE276753	1							Thrust Washer		(VOE7276753)0,2 O SZ
10	VOE950677	1							Pin		
11	VOE3825732	1							Flywheel		
12	VOE420314	1							•Gear Ring		(VOE420067)
13	VOE465825	6							Screw		
14	VOE471528	1							Gear		
15	VOE4772218	1							Hub		
16	VOE420124	1							Washer		
17	VOE470366	1							Screw		
18	VOE421515	1							Vib Damper		
19	VOE467834	1							Sign		
20	VOE4772217	1							Strap		
21	VOE4772236	1							Strap		
22	VOE4772247	8							Screw		
23	VOE4772218	1							Hub		
24	VOE13965187	4							Flange screw		

Date: 2013/11/2	Image id: FA273B	Catalogue: 99509	Model: EC230B
Brand: Åkerman	Serial: 4369-5251	Group/Section: 217/100	Title: Oil sump / oil dipstick



Pos	Part	Q1	Q2	Q3	Q4	Q5	PS	Kit	Description	Option(s)	Remark
1	VOE11162235	1							Oil Pan		(VOE465622)
2	VOE11030778	1							Gasket		(865341)
3	VOE946440	34							Flange screw		
4	VOE13949175	1							Magnetic Plug		(949175)
5	VOE949329	1							Gasket		
6	VOE862055	1							Pipe		
7	VOE862197	1					OP		Oil Dipstick		SER NO -2480
	VOE11030836	1							Oil dipstick		SER NO 2481-
8	VOE955984	1							O-ring		

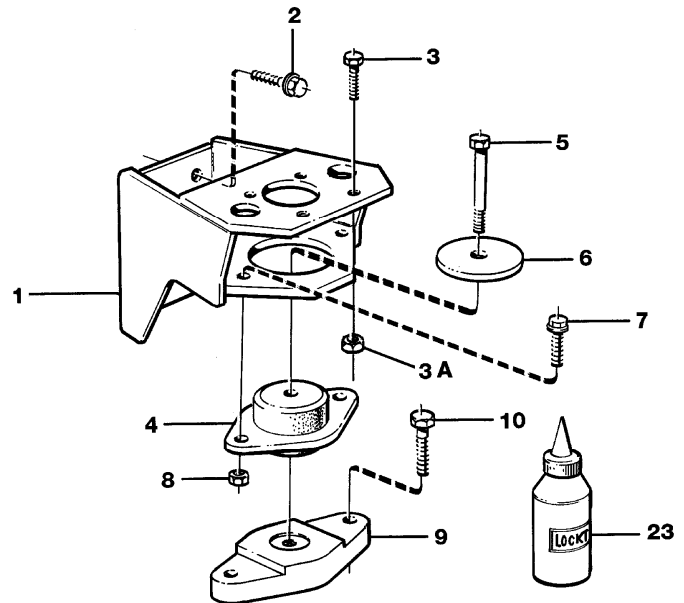
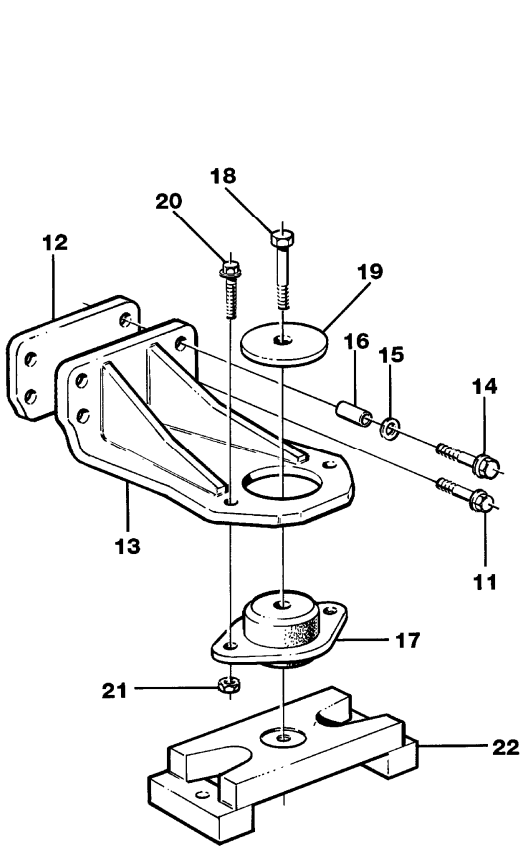
Date: 2013/11/2	Image id: FA332	Catalogue: 99509	Model: EC230B
Brand: Åkerman	Serial: 4369-5251	Group/Section: 218/100	Title: Engine mounting TD 61 GE



Pos	Part	Q1	Q2	Q3	Q4	Q5	PS	Kit	Description	Option(s)	Remark
1	VOE465243	2							Bracket		
2	VOE13965192	4							Screw		
3	VOE13970974	2							Hexagon screw		(14014622)
4	VOE14040547	2							Spacer		
5	VOE14015146	2							Washer		
6	VOE14237784	2							Rubber cushion		
7	VOE13970974	2							Hexagon screw		(14014622)
8	VOE13930908	2							Washer		(VOE13976629)
9	VOE14248379	2							Engine anchorage		
10	VOE13965193	4							Screw		
11	VOE14252182	4							Spacer		
12	VOE14024293	REQ					OP		Locking fluid		250 ml
13	VOE965227	4							Flange screw		
14	VOE14248129	4							Washer		

15	VOE14024293	REQ					OP		Locking fluid		250 ml
16	VOE955392	1							Hexagon screw		LH: L = 80; (14016509)
	VOE955393	1							Hexagon screw		RH: L = 90; (14023352)
17	VOE14042803	1							Spacer		LH
17A	VOE14248380	1							Spacer		RH
18	VOE14216299	2							Rubber damper		
19	VOE955363	4							Hexagon screw		(14014631)
20	VOE14015147	4							Washer		

Date: 2013/11/2	Image id: FA531	Catalogue: 99509	Model: EC230B
Brand: Åkerman	Serial: 4369-5251	Group/Section: 218/200	Title: Engine mounting TD 63 KIE



Volvo Construction
Equipment
FA 531

Pos	Part	Q1	Q2	Q3	Q4	Q5	PS	Kit	Description	Option(s)	Remark
1	VOE14341798	2							Engine anchorage		
2	VOE13965191	4							Screw		
3	VOE13946817	4							Screw		RH - REAR
	VOE13965191	4							Screw		LH - REAR
3A	VOE13971090	4							Lock nut		LH - REAR
4	VOE14343641	2							Rubber cushion		
5	VOE13955374	2							Screw		
6	VOE14342464	2							Washer		
7	VOE13965192	4							Screw		
8	VOE13971090	4							Lock nut		
9	VOE14341801	2							Adapter		
10	VOE13955366	4							Screw		
11	VOE13965194	7							Screw		
12	VOE14341881	2							Spacer		
13	VOE14343182	2							Engine anchorage		

14	VOE965197	1							Flange screw		(VOE13965197)
15	VOE14015146	1							Washer		
16	VOE14252182	1							Spacer		
17	VOE14343640	2							Rubber cushion		
18	VOE13955374	2							Screw		
19	VOE14342464	2							Washer		
20	VOE13965192	4							Screw		
21	VOE13971090	4							Lock nut		
22	VOE14342044	2							Adapter		
23	VOE14024293	ERF					OP		Locking fluid		

Thank you so much for reading.
Please click the “Buy Now!”
button below to download the
complete manual.



After you pay.

You can download the most
perfect and complete manual in
the world immediately.

Our support email:

ebooklibonline@outlook.com