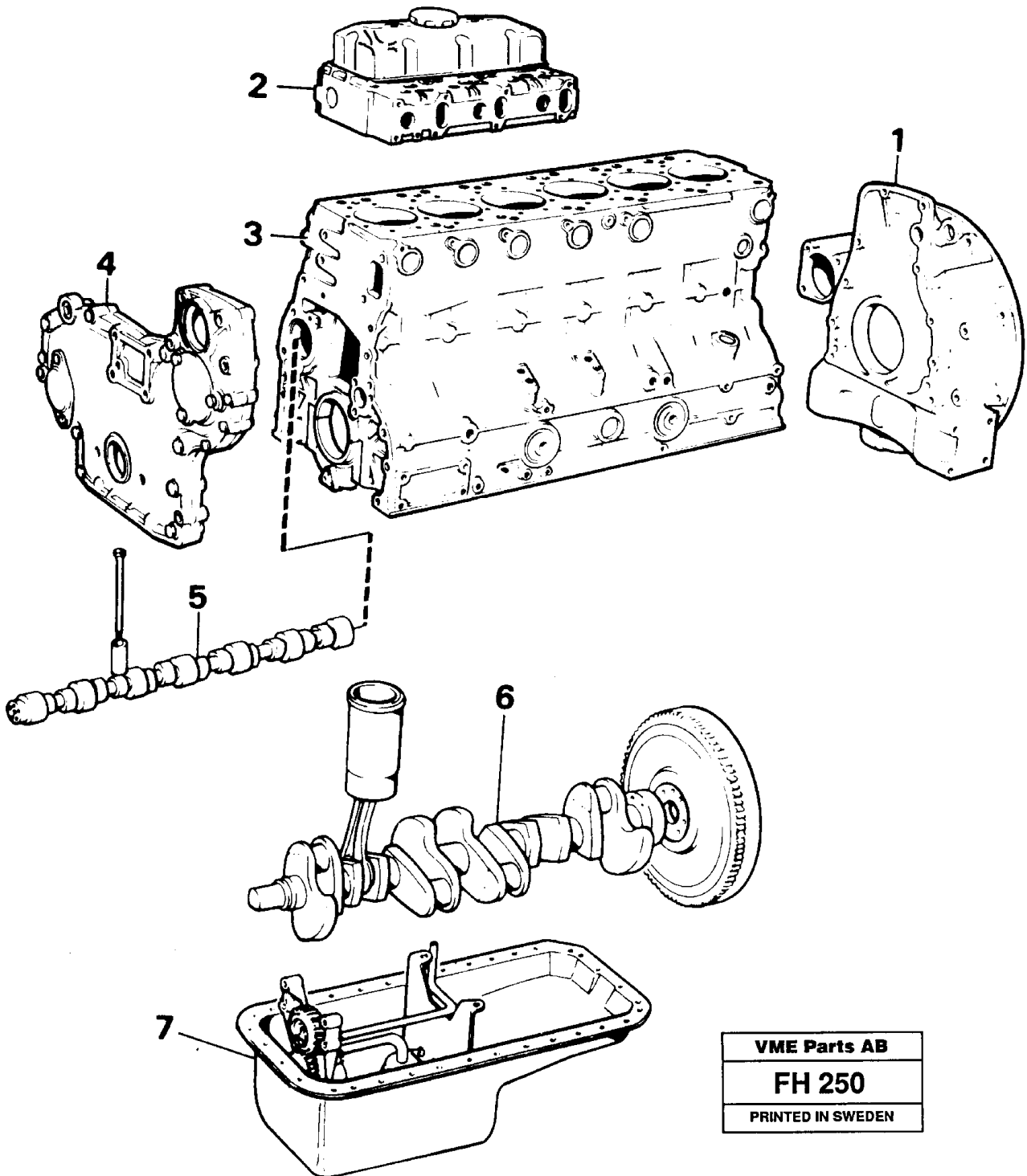


Date: 2014/1/4	Image id: FH250	Catalogue: 99516	Model: EC300
Brand: Åkerman	Serial: 4371-4797	Group/Section: 210/150	Title: Engine TD 71 ACE, TD 71 GE



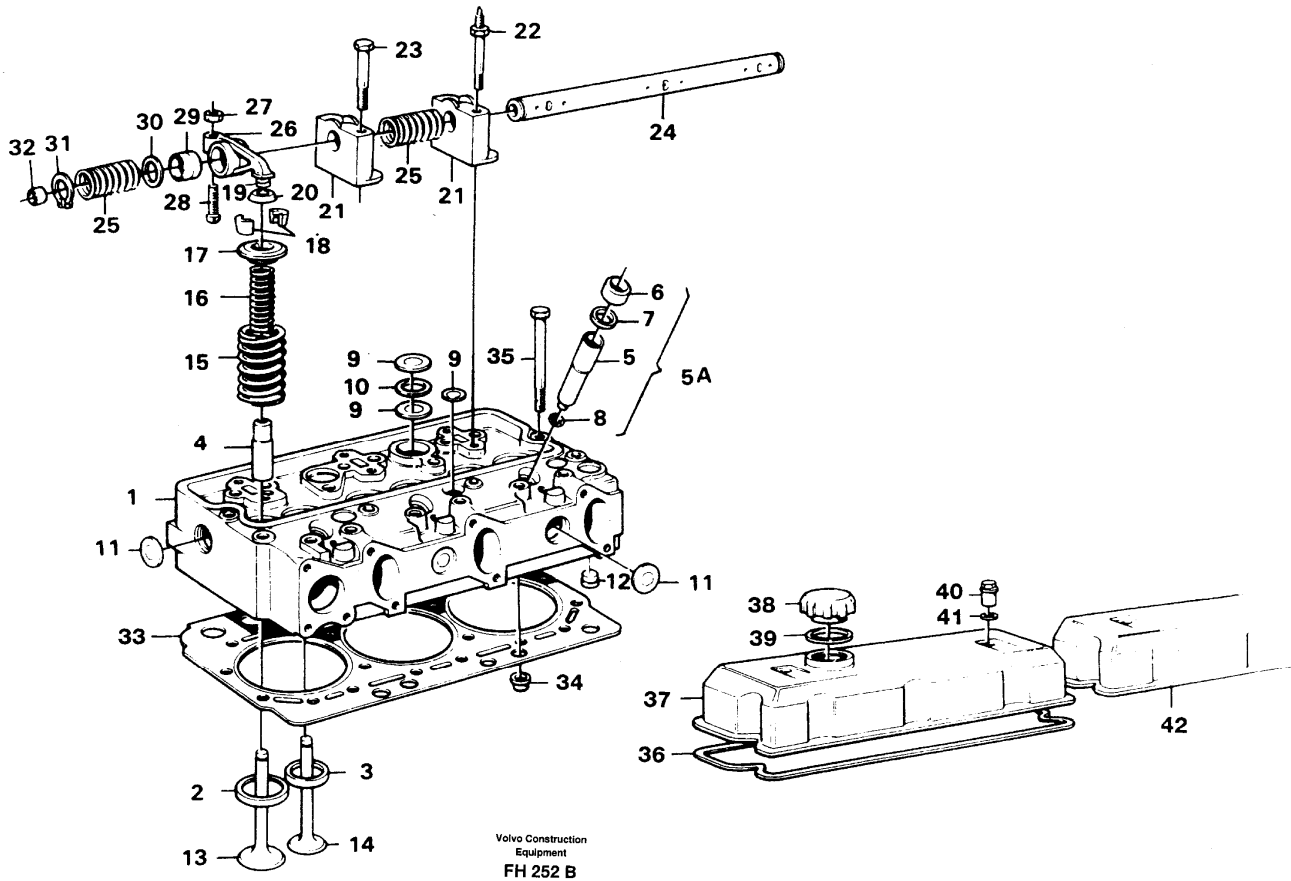
VME Parts AB
FH 250
PRINTED IN SWEDEN

Pos	Part	Q1	Q2	Q3	Q4	Q5	PS	Kit	Description	Option(s)	Remark
	VOE9000801033	1					OP		Engine		See footnote 1110) (867918) TD 71 ACE,

	VOE15003913	1							Engine		SER NO - 4456 (VOE497051)SER NO 4457 -, TD 71 GE
1		1							Flywheel housing		See ref 212/150
2		1							Cylinder head		See ref 211/100
3		1							Cylinder block		See ref 212/100
4		1							Timing gear casing		See ref 215/100
5		1							Camshaft		See ref 215/150
6		1							Crank mechanism		See ref 216/100
7		1							Oil sump		See ref 217/100

1110) See Volvo Penta Parts Catalog 7735450 - 4. (vme Parts Publ nr. 63166997735 - 6)

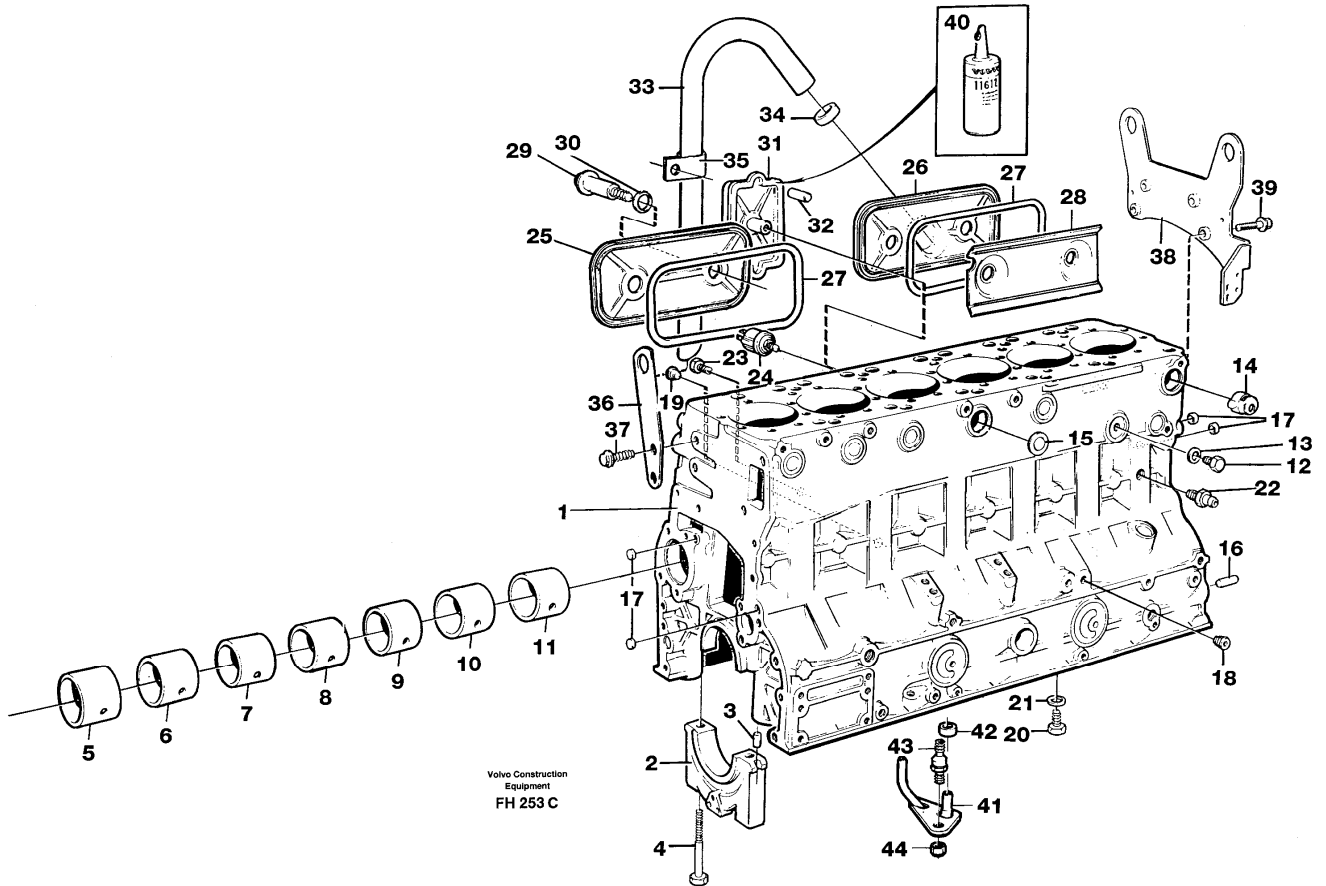
Date: 2014/1/4	Image id: FH252B	Catalogue: 99516	Model: EC300
Brand: Åkerman	Serial: 4371-4797	Group/Section: 211/100	Title: Cylinder head



Pos	Part	Q1	Q2	Q3	Q4	Q5	PS	Kit	Description	Option(s)	Remark
	VOE421500	2							Cylinder head		
1	VOE471409	2					SE		•Cylinder head		
2	VOE421011	6							••Valve seat		STD, INLET/INSUG
3	VOE466266	6							••Valve seat		STD, EXHAUST/AVGAS
4	VOE466386	12							••Valve guide		TD 71 GE
5A	VOE276130	3							••Repair kit		
5	VOE477928	6							•••Socket		(VOE466403)
6	VOE466420	6							•••Ring		
7	VOE466405	6							•••Sealing ring		
8	VOE466922	6							•••Sealing ring		
9	VOE477026	14							••Expansion plug		
10	VOE947626	4							••Gasket		
11	VOE477024	8							••Expansion plug		
12	VOE465420	5							••Nozzle		
13	VOE466379	6							•Valve		

14	VOE421680	6							•Exhaust valve		TD 71 GE
15	VOE466384	6							•Valve spring		
16	VOE466383	6							•Valve spring		
17	VOE466382	6							•Washer		
18	VOE468305	12							•Valve Collet		
19	VOE478074	6							•Valve cap		
20	VOE469456	6							•Protecting ring		
21	VOE477384	6							Bearing Bracket		
22	VOE471512	4							Screw		
23	VOE471513	8							Screw		
24	VOE471518	2							Rocker arm shaft		
25	VOE421173	4							Spring		
26	VOE422063	12							Rocker arm		
27	VOE940175	12							•Nut		
28	VOE422993	12							•Bolt		
29	VOE422066	12							•Bushing		
30	VOE941488	4							Washer		
31	VOE914459	4							Retaining ring		
32	VOE955084	2							Cap Plug		
33	VOE276816	1							Gasket kit		
34	VOE422413	2							•Sealing ring		
	VOE466421	16							•Sealing ring		
	VOE465784	12							•Sealing		
35	VOE471481	40							Screw		
36	VOE471520	2							Gasket		
37	VOE471813	1							Valve cover		
38	VOE421753	1							Filler cap		(421753)
39	VOE1275379	1							Gasket		(VOE940096)
40	VOE465961	1							Cap nut		
41	VOE471856	1							Sealing ring		
42	VOE471426	1							Valve cover		

Date: 2014/1/4	Image id: FH253C	Catalogue: 99516	Model: EC300
Brand: Åkerman	Serial: 4371-4797	Group/Section: 212/100	Title: Cylinder block

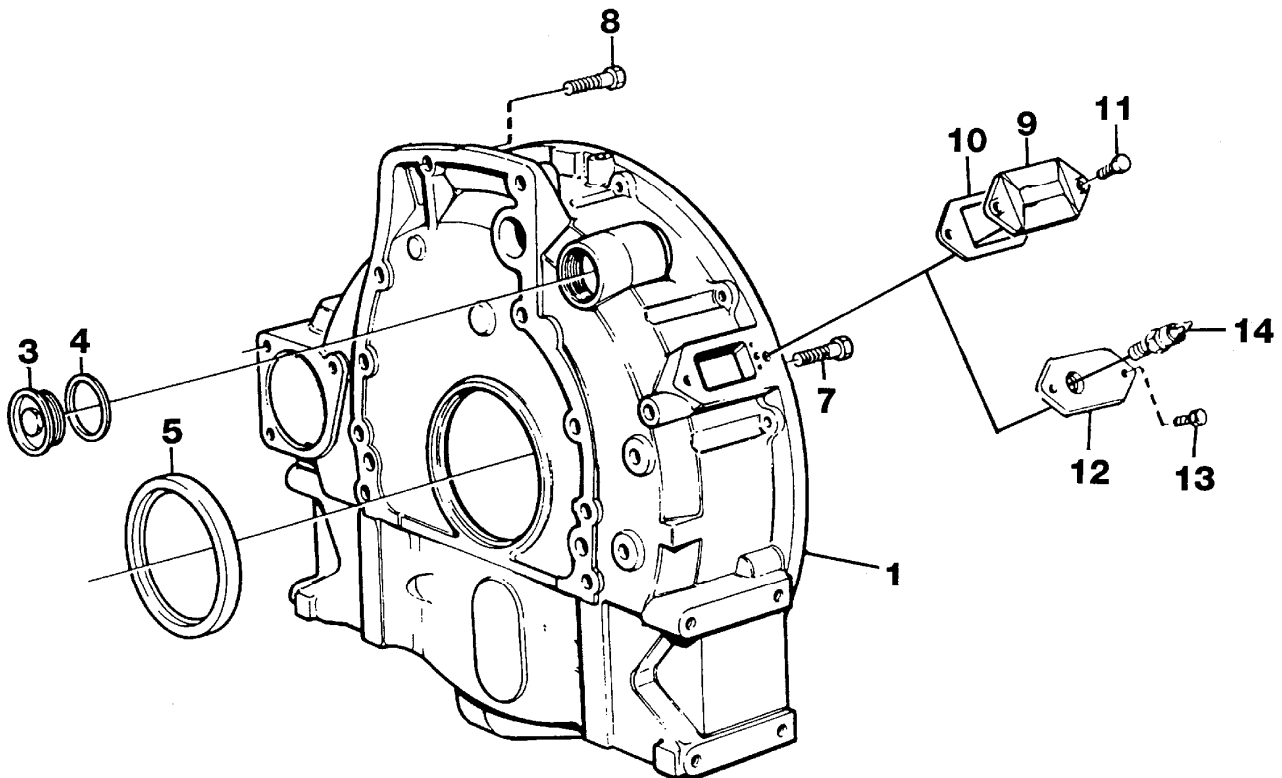
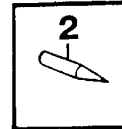


Q1-Q5	Option	Option description	
Q1 477990			
Q2 8192730			

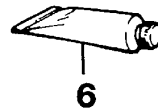
Pos	Part	Q1	Q2	Q3	Q4	Q5	PS	Kit	Description	Option(s)	Remark
	VOE477990	1					OP		Cylinder block		ENG - 97292
	VOE8192730		1						Cylinder block		ENG 97293 -
1		1	1				NS		•Cylinder block		
2		1	1				NS		•Cap		MARKED: 1
		1	1				NS		•Cap		MARKED: 4
		5	5				NS		•Cap		MARKED: 2,3,5,6,7
3	VOE422426	1	1						•Pin		
4	VOE465899	14							•Screw		
	VOE8192738		14						•Screw		
5	VOE422076	1	1						•Bushing		
6	VOE422077	1	1						•Bushing		
7	VOE422078	1							•Bushing		

	VOE8192676		1						•Bushing		
8	VOE11000014	1							•Bushing		
	VOE8192677		1						•Bushing		
9	VOE422080	1							•Bushing		(VOE7422080)
	VOE8192678		1						•Bushing		
10	VOE422081	1							•Bushing		
	VOE8192679		1						•Bushing		
11	VOE422082	1	1						•Bushing		
12	VOE467367	1							•Plug		(VOE467649)
13	VOE1556907	1							•Gasket		(VOE469328)
14	VOE421154	6	6						•Nozzle		
15	VOE13968955	6	6						•Expansion plug		
16	VOE191171	2	2						•Pin		(VOE7191171)
17	VOE955082	4	6						•Cap plug		
18	VOE968145	1	1						•Plug		
19	VOE422369	7	2						•Plug		
20	VOE13966146	1	1						Plug		
21	VOE13947629	1	1						Plane gasket		(VOE947629)
22	VOE13946121	2	2						Nipple		(VOE7190130)
23	VOE479976	1	1						Plug		
24	VOE864415	1	1						Oil pressure sensor		
25	VOE420120	1	1						Inspection lid		
26	VOE420121	1	1						Hatch		
27	VOE421121	2	2						Gasket		
28	VOE3978045	1	1						Splash plate		(VOE471858)
29	VOE471855	4	4						Screw		
30	VOE471856	4	4						Sealing ring		
31	VOE471854	1	1						Cover		
32	VOE951974	1	1						Spring pin		
33	VOE471857	1	1						Pipe		
34	VOE421158	1	1						Sealing ring		
35	VOE968124	1	1						Clamp		
36	VOE848346	2	2				NS		Lifting eye		
37	VOE13965191	1	1						Screw		(VOE965191)STD, M12 x 30
38	VOE477261	2	2				NS		Lifting eye		
39	VOE965225	2	2						Flange screw		(VOE965191)
40	VOE1161277	REQ	REQ						Sealant		20 g
41	VOE420628	6	6						Nozzle		
42	VOE466874	6	6						Sealing ring		
43	VOE471596	6	6						Stud		
44	VOE13948570	6	6						Lock nut		

Date: 2014/1/4	Image id: FH251A	Catalogue: 99516	Model: EC300
Brand: Åkerman	Serial: 4371-4797	Group/Section: 212/150	Title: Flywheel housing



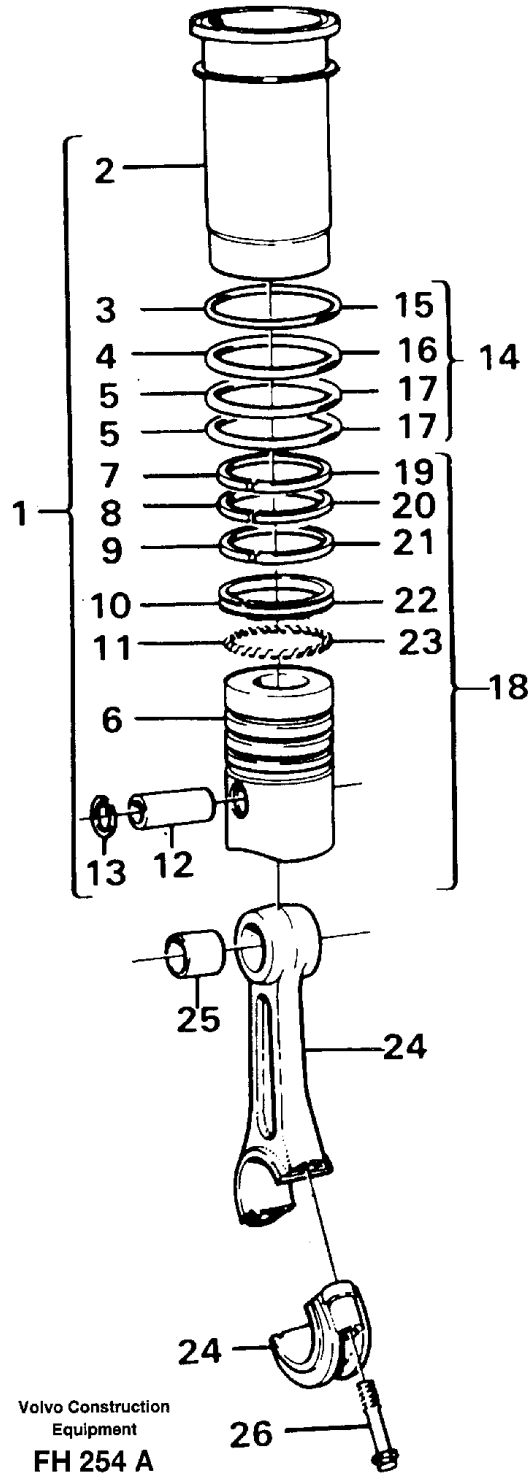
Volvo Construction
Equipment
FH 251 A



Pos	Part	Q1	Q2	Q3	Q4	Q5	PS	Kit	Description	Option(s)	Remark
1	VOE4772237	1							Flywheel Hsg		
2	VOE864494	1							Setting Indicator		
3	VOE180761	1							Plug		TD 71 GE
	VOE467367	1							Plug		TD 71 ACE
4	VOE7011996	1							Gasket		(VOE11996)TD 71 GE
	VOE1556907	1							Gasket		(VOE469328)TD 71 ACE
5	VOE477119	1							Crankshaft Seal		
6	VOE11713514	REQ							Sealant		(VOE1161231)20

											GRAM
7	VOE13966361	6							Flange screw		L = 55MM
8	VOE13971002	2							Hexagon screw		L = 65MM
9	VOE4772168	1							Cap		
10	VOE4804167	1							Gasket		
11	VOE13946934	2							Screw		
12	VOE14254562	1							Attachment		
13	VOE13955272	2							Screw		(VOE14014589)
14	VOE14215228	1							Eng Sp Sensor		

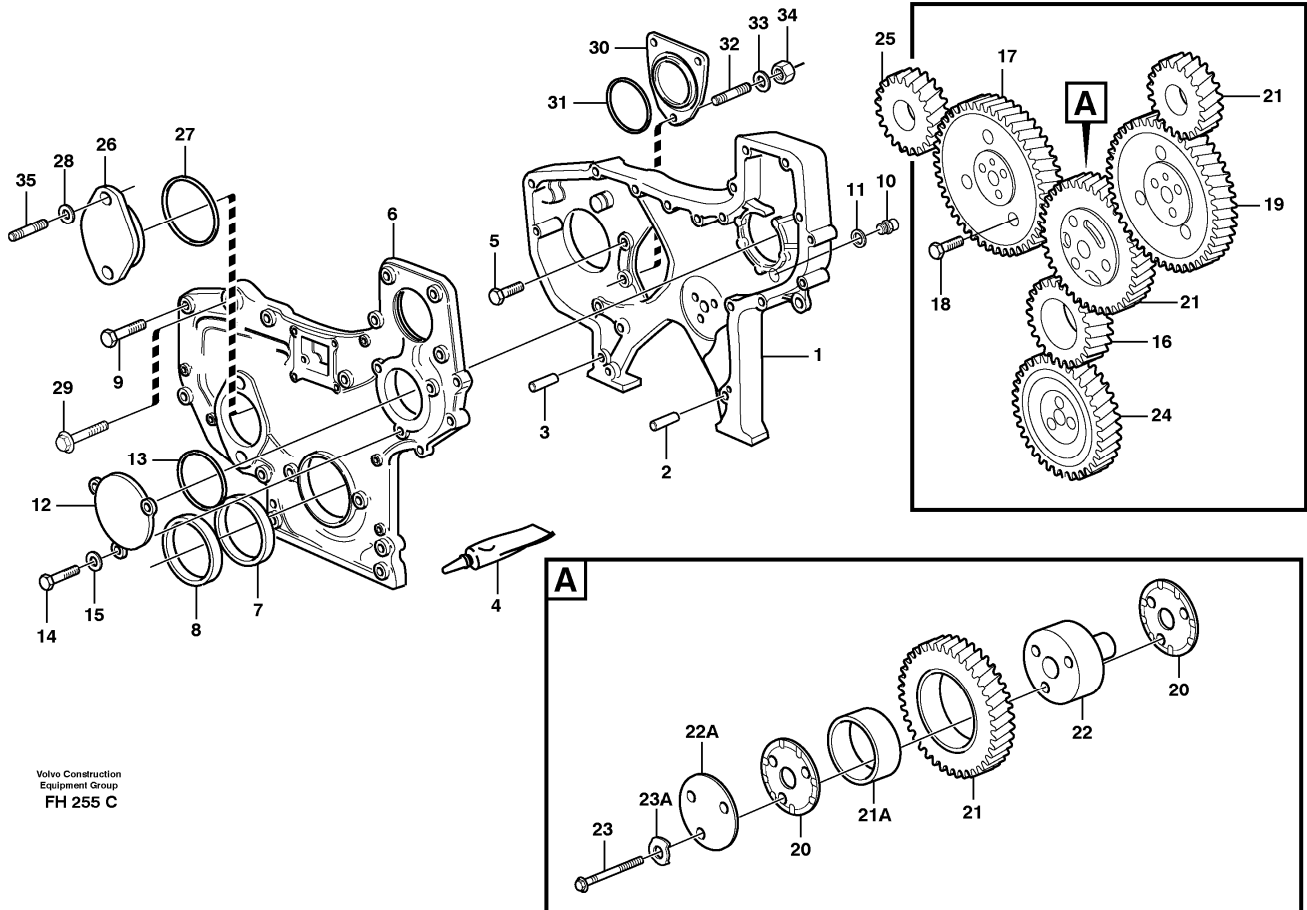
Date: 2014/1/4	Image id: FH254A	Catalogue: 99516	Model: EC300
Brand: Åkerman	Serial: 4371-4797	Group/Section: 213/100	Title: Cylinder liner and piston



Pos	Part	Q1	Q2	Q3	Q4	Q5	PS	Kit	Description	Option(s)	Remark
1	VOE876183	6							Cylinder liner kit		ENG - 97292

	VOE3827384	6					OP		Cylinder liner kit		ENG 97293 -
2	VOE477430	6					NS		•Cylinder Liner		
3	VOE471419	6					NS		•Sealing ring		
	VOE271159	6							•Sealing ring kit		
4	VOE424831	6					NS		•Sealing ring		
5	VOE471424	12					NS		•Oil feed pipe		
6	VOE466710	6					OP		•Piston		
7		6					NS		•Piston ring		
8	VOE477177	6					OP		•Compression ring		
	VOE477178	6					OP		•Compression ring		
9		6					NS		•Piston ring		
10	VOE466314	6					OP		•Ring		
11	VOE466315	6					OP		•Expander		
12	VOE3978588	6					OP		•Gudgeon pin		(VOE477927)ENG 63587 - 97292
	VOE3978588	6					OP		•Gudgeon pin		ENG 97293 -
13	VOE914525	12							•Retaining ring		
14	VOE271159	6							Sealing ring kit		(VOE275778)
15	VOE471419	6					NS		•Sealing ring		
16	VOE424831	6					NS		•Sealing ring		
17	VOE471424	12					NS		•Oil feed pipe		
18	VOE271117	6							Piston ring kit		
19		6					NS		•Piston ring		
20	VOE477178	6					OP		•Compression ring		
21							NS		•Piston ring		
22	VOE466314	6					OP		•Ring		
23	VOE466315	6					OP		•Expander		
24	VOE471523	6							Connecting rod		
25	VOE471364	6							•Bushing		
26	VOE465815	12							•Screw		

Date: 2014/1/4	Image id: FH255C	Catalogue: 99516	Model: EC300
Brand: Åkerman	Serial: 4371-4797	Group/Section: 215/100	Title: Timing gear casing and gears

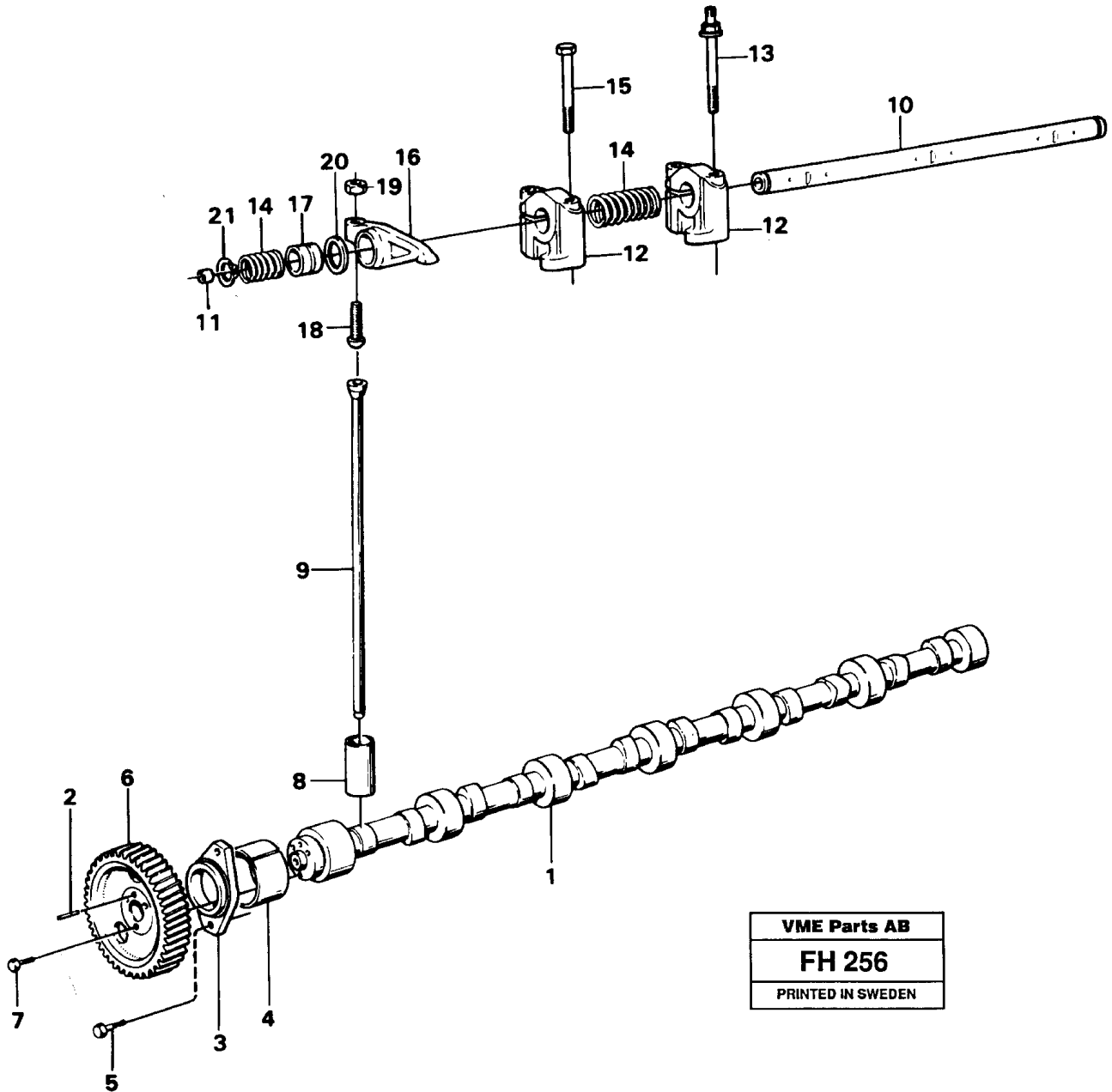


Q1-Q5	Option	Option description	
Q1 TD 71 GE			
Q2 TD 71 ACE			

Pos	Part	Q1	Q2	Q3	Q4	Q5	PS	Kit	Description	Option(s)	Remark
1	VOE471505	1	1						Tmg Gear Casing		
2	VOE13941511	1	1						Pin		(VOE941510)
3	VOE13941510	1	1						Pin		(VOE941511)
4	VOE1161277	REQ	REQ						Sealant		20 g
5	VOE471534	2	2						Screw		L = 28MM
	VOE471535	2	2						Screw		L = 58MM
6	VOE8192590	1	1						Tmg Gear Cover		(VOE8192052)
7	VOE477118	1	1						•Sealing ring		
8		1	1				NS		•Felt Ring		(VOE942083)
9	VOE13947760	7	7						Flange screw		(VOE947760)L 40MM =

	VOE13948217	2	2						Flange screw		(VOE948217)L 45MM	=
	VOE13965216	1	1						Screw		(VOE965216)L 55MM	=
	VOE13965182	6	6						Flange screw		(VOE965182)L 80MM	=
	VOE13965183	1	1						Flange screw		(VOE965183)L 90MM	=
10	VOE1502028	1	1						Eng Sp Sensor			
11	VOE925059	2	2						O-ring			
12	VOE471559	1	1						Cap			
13	VOE925257	1	1						O-ring			
14	VOE13945444	3	3						Flange screw		(VOE945444)L 25MM	=
15	VOE13941907	3	3						Spring Washer		(VOE941907)	
16	VOE471528	1	1						Gear		CRANKSHAFT	See ref 216/100
17	VOE478297	1	1						Gear		CAMSHAFT	See ref 215/150
18	VOE471555	3	3						Screw		L = 50MM	
19	VOE478297	1	1						Gear		FUEL INJECTION PUMP	See ref 236/100
20	VOE478951	2	2						Thrust Washer		ENG 82972 -	
21	VOE8192578	1							Idler Gear		ENG 82972 -	
	VOE8192518		1						Idler Gear			
21A	VOE479687	1							•Bushing			
22	VOE8192636	1							Bearing spindle		(VOE479779)ENG 82972 -	
	VOE422766		1				SS		Pin			
22A	VOE478954	1							Bearing Shield		ENG 82972 -	
23	VOE8192579	3	3						Screw		ENG 82972 -	
23A	VOE942180	3							Disc Spring		ENG 82972 -	
24	VOE471942	1	1						Drive Gear		OIL PUMP	See ref 221/100
25	VOE14248214	1	1						Gear		WATER PUMP	See ref 262/150
26	VOE465735	1	1						Cap			
27	VOE925094	1	1						O-ring		(VOE465058)	
28	VOE955895	2	2						Washer			
29	VOE965225	1	1						Flange screw		(VOE966343)	
30	VOE420178	1	1						Cover			
31	VOE13975610	1	1						O-ring			
32	VOE967951	3	3						Stud			
33	VOE955899	3	3						Washer			
34	VOE13971073	3	3						Hexagon Nut			
35	VOE479973	1	1						Stud			
36	VOE469364	1	1						Drive Gear		Tachograph	

Date: 2014/1/4	Image id: FH256	Catalogue: 99516	Model: EC300
Brand: Åkerman	Serial: 4371-4797	Group/Section: 215/150	Title: Camshaft

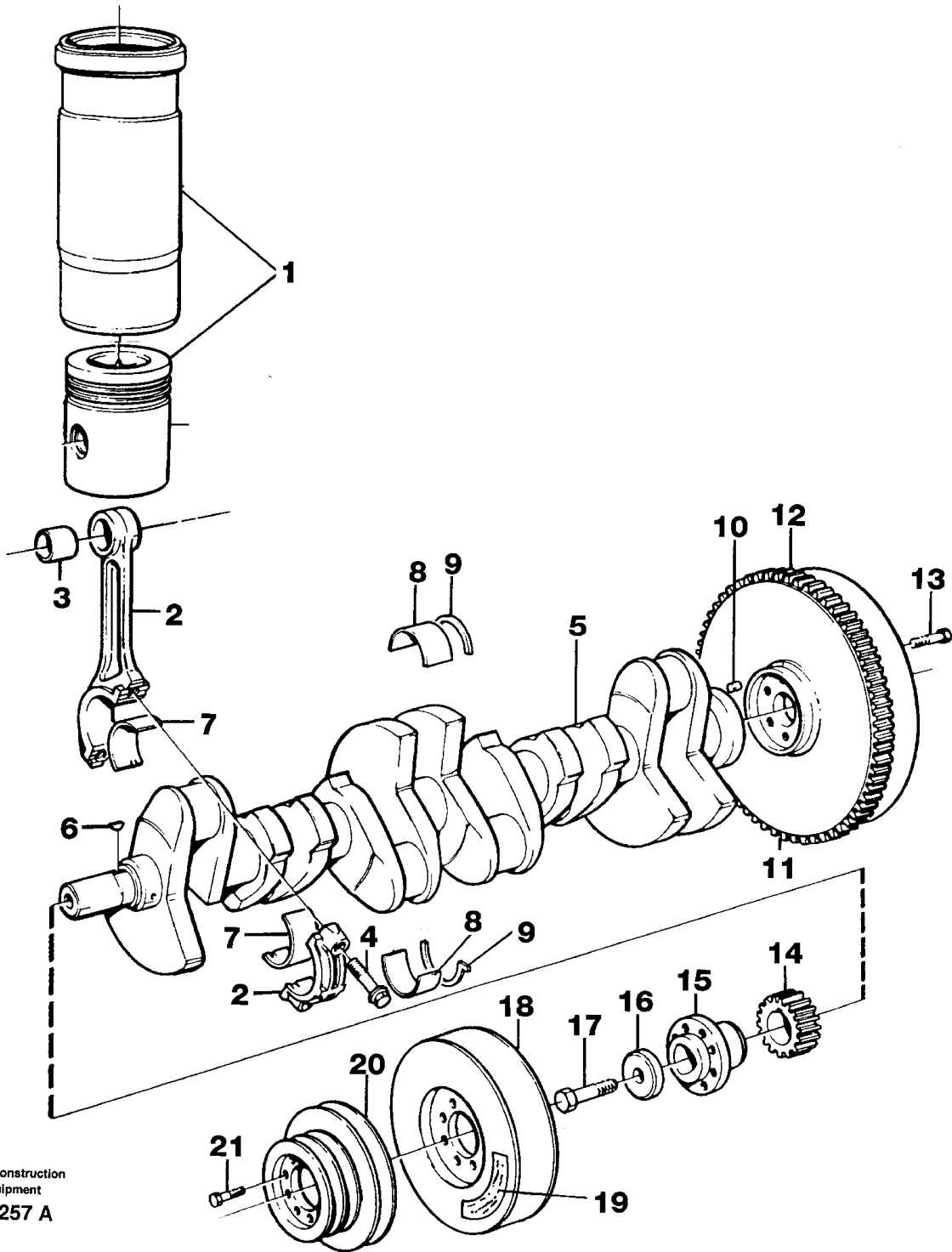


VME Parts AB
FH 256
PRINTED IN SWEDEN

Pos	Part	Q1	Q2	Q3	Q4	Q5	PS	Kit	Description	Option(s)	Remark
1	VOE471413	1							Camshaft		ENG - 97292
	VOE3978505	1							Camshaft		ENG 97293 -
2	VOE950588	1							•Pin		
3	VOE465789	1							Flange		
4		7							Bushing		See ref 212/100
5	VOE471509	2							Screw		

6		1							Camshaft gear		See ref 215/100
7		3							Screw		See ref 215/100
8	VOE11030953	12							Tappet		ENG NO 77856-
9	VOE421385	12							Push rod		ENG - 97292
	VOE8192698	12							Push rod		ENG 97293 -
10	VOE471518	2							Rocker arm shaft		
11	VOE955084	4							•Cap Plug		
12	VOE477384	6							Bearing Bracket		(VOE471511)
13	VOE471512	4							Screw		
14	VOE421173	4							Spring		
15	VOE471513	8							Screw		
16	VOE422063	12							Rocker arm		
17	VOE422066	12							•Bushing		(VOE7422066)
18	VOE422993	12							•Bolt		(VOE423058)
19	VOE940175	12							•Nut		
20	VOE941488	4							Washer		
21	VOE914459	4							Retaining ring		

Date: 2014/1/4	Image id: FH257A	Catalogue: 99516	Model: EC300
Brand: Åkerman	Serial: 4371-4797	Group/Section: 216/100	Title: Crankshaft and related parts

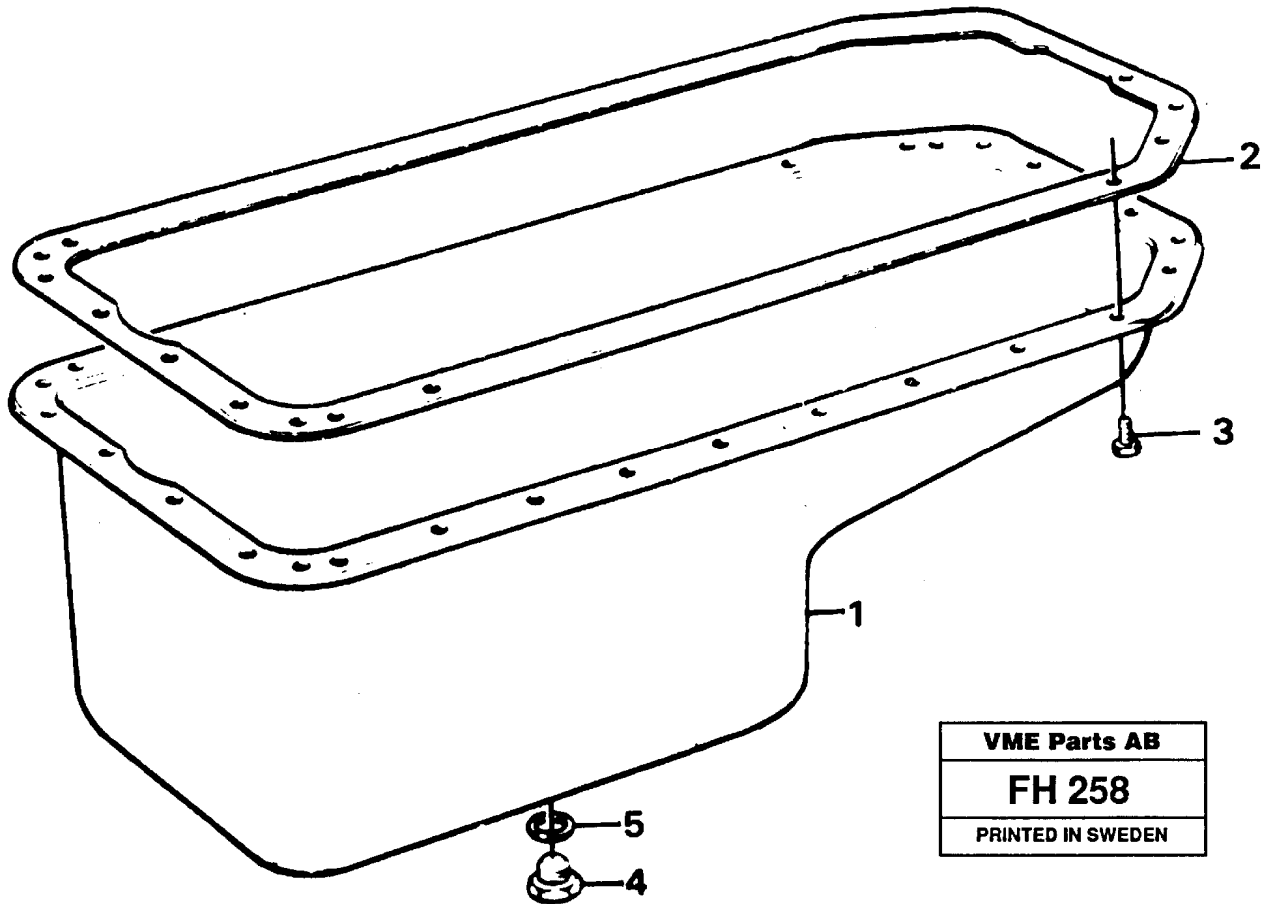


Pos	Part	Q1	Q2	Q3	Q4	Q5	PS	Kit	Description	Option(s)	Remark
1		1							Cylinder liner kit		See ref 213/100

2	VOE471523	6						Connecting rod	
3	VOE471364	6						•Bushing	
4	VOE465815	12						•Screw	
5	VOE477116	1						Crankshaft	ENG - 97292
	VOE8192695	1						Crankshaft	ENG 97293 -
6	VOE422253	1						•Key	ENG - 97292
	VOE950681	1						•Pin	ENG 97293 -
7	VOE270115	6						Big End Brg Kit	STD D
	VOE270116	6						Big End Brg Kit	0,25 U SZ
	VOE270117	6						Big End Brg Kit	0,50 U SZ
	VOE270118	6				OP		Big End Brg Kit	0,75 U SZ
	VOE270119	6						Big End Brg Kit	1.00 mm UD,TD 71ACE
	VOE270120	6						Big-end Bearing kit	1.25 mm UD,TD 71 GE
8	VOE270432	7						Main bearing kit	STD, ENG - 97292
	VOE270433	7						Main bearing kit	0,25 U SZ, ENG - 97292
	VOE270434	7						Main bearing kit	0,50 U SZ, ENG - 97292
	VOE270435	7						Main bearing kit	0,75 U SZ, ENG - 97292
	VOE270436	7						Main bearing kit	1,00 U SZ, ENG - 97292
	VOE270437	7						Main bearing kit	1,25 U SZ, ENG - 97292
	VOE276894	7						Main bearing	STD, ENG 97293 -
	VOE276895	7						Main bearing kit	0,254MM U SZ, ENG 97293 -
	VOE276896	7						Main bearing kit	0,508MM U SZ, ENG 97293 -
	VOE276897	7						Main bearing kit	0,792MM U SZ, ENG 97293 -
	VOE276898	7						Main bearing kit	1,016MM U SZ, ENG 97293 -
	VOE276899	7						Main bearing kit	1,270MM U SZ, ENG 97293 -
9	VOE276754	1						Thrust washer	(VOE276754)STD, ENG - 97292
	VOE276755	1						Thrust washer	(VOE276755)0,1 O SZ, ENG - 97292
	VOE276756	1						Thrust washer	(VOE276756)0,2 O SZ, ENG - 97292
	VOE276757	1						Thrust washer	(VOE276757)0,3 O SZ, ENG - 97292
	VOE276890	1						Thrust washer	STD, ENG 97293 -
	VOE276891	1						Thrust washer	0,1MM U SZ, ENG 97293 -
	VOE276892	1						Thrust washer	0,2MM U SZ, ENG 97293 -
	VOE276893	1						Thrust washer	0,3MM U SZ, ENG 97293 -
10	VOE950677	1						Pin	
11	VOE11030557	1						Flywheel	TD71ACE, ENG - 97292
	VOE11030938	1						Flywheel	TD71ACE, ENG 97293 -
	VOE864260	1				OP		Flywheel	TD71GE, ENG - 97292
	VOE3825732	1						Flywheel	TD71GE, ENG 97293 -

12	VOE420314	1							•Gear ring		(VOE420067)
13	VOE465825	6							Screw		ENG - 97292
	VOE471541	9							Screw		ENG 97293 -
14	VOE471528	1							Gear		
15	VOE465779	1							Hub		
16	VOE420124	1							Washer		
17	VOE470366	1							Screw		
18	VOE421515	1							Vibration damper		
19	VOE467834	1							Sign		
20	VOE4772117	1							Pulley		
21	VOE471529	8							Screw		

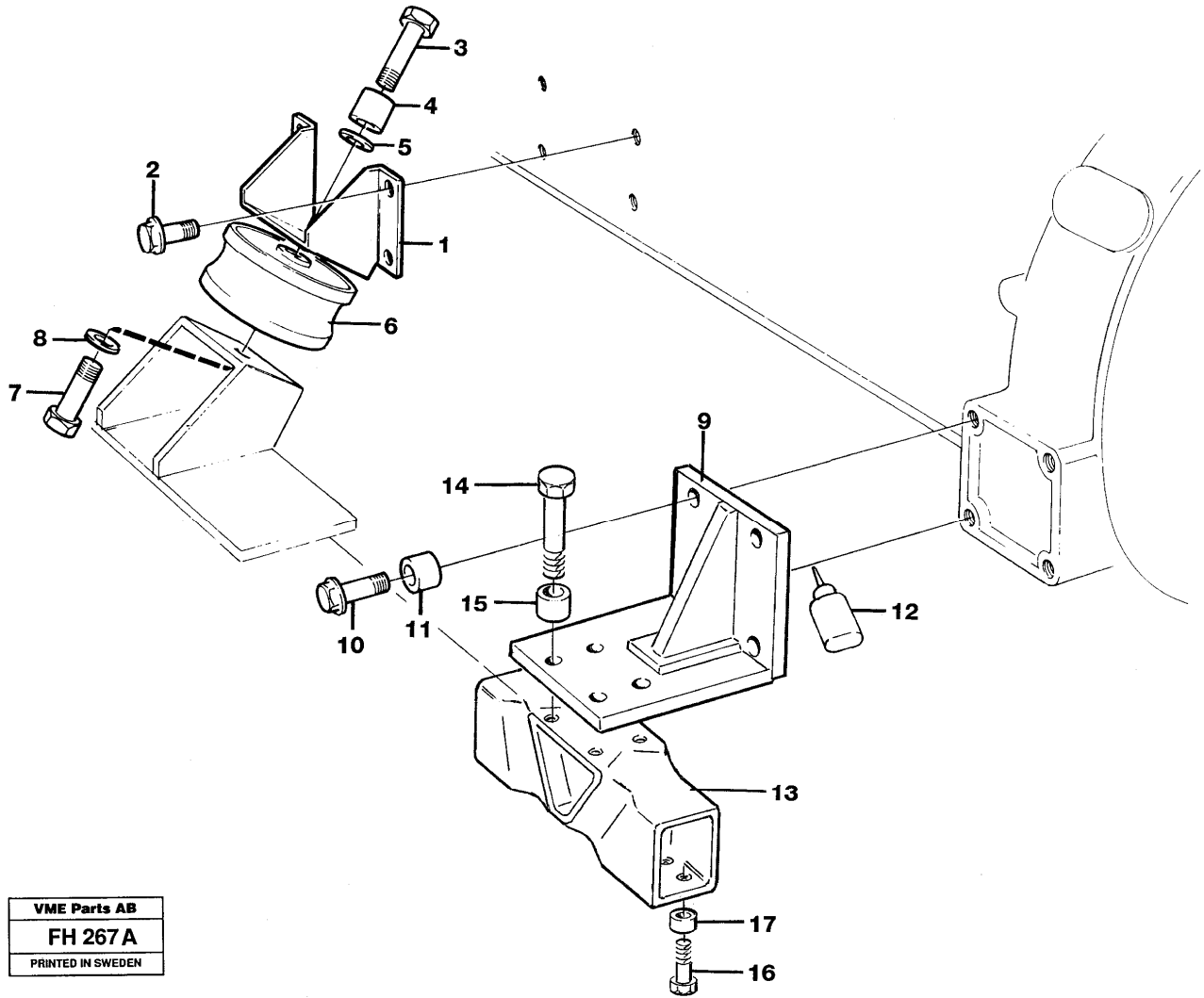
Date: 2014/1/4	Image id: FH258	Catalogue: 99516	Model: EC300
Brand: Åkerman	Serial: 4371-4797	Group/Section: 217/100	Title: Oil sump



VME Parts AB
FH 258
PRINTED IN SWEDEN

Pos	Part	Q1	Q2	Q3	Q4	Q5	PS	Kit	Description	Option(s)	Remark
1	VOE11030522	1							Oil Pan		
2	VOE11030779	1							Gasket		(VOE865342)
3	VOE946440	36							Flange screw		
4	VOE13949175	1							Magnetic Plug		(949175)
5	VOE949329	1							Gasket		

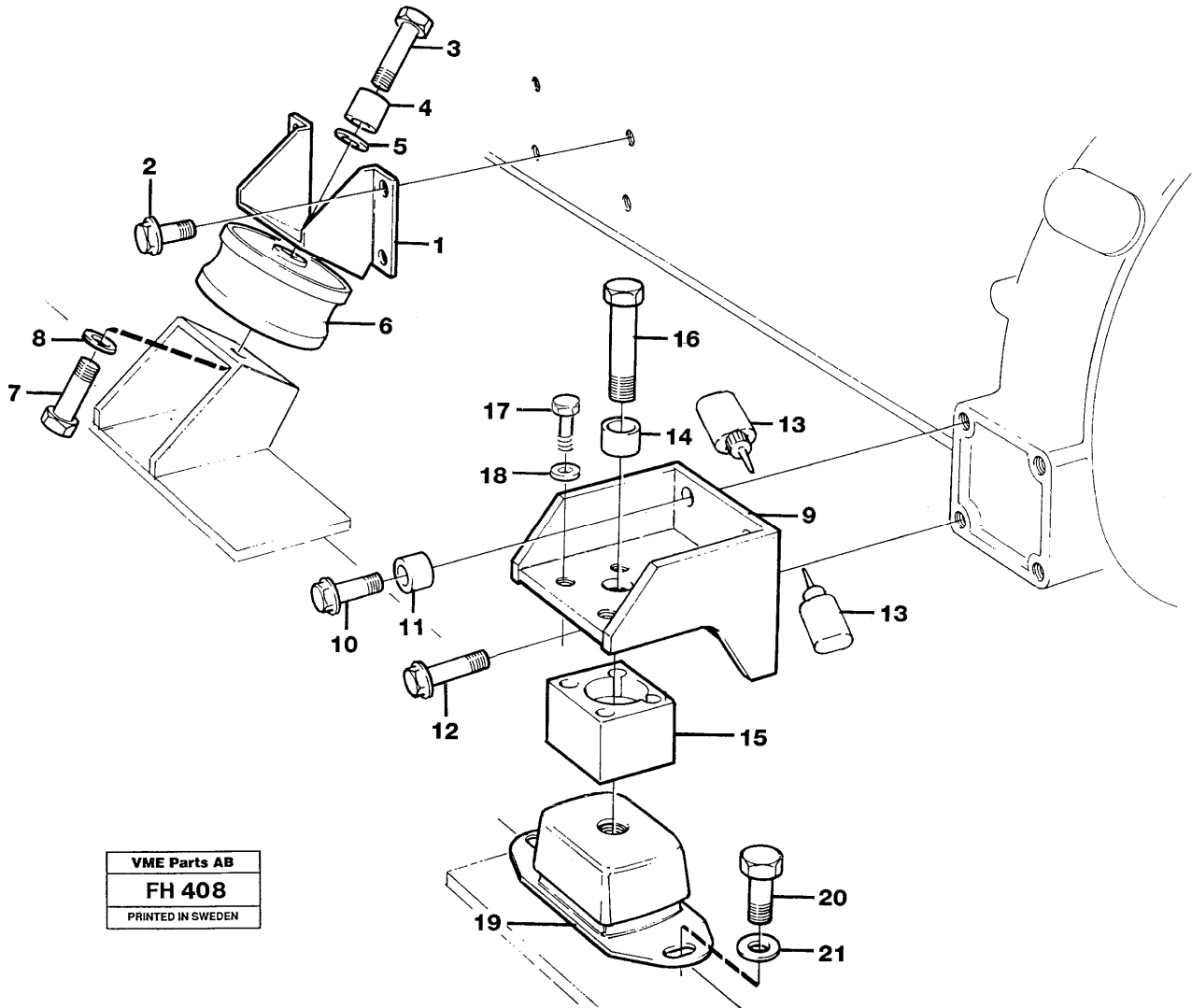
Date: 2014/1/4	Image id: FH267A	Catalogue: 99516	Model: EC300
Brand: Åkerman	Serial: 4371-4797	Group/Section: 218/100	Title: Engine mounting SER NO -4628



Pos	Part	Q1	Q2	Q3	Q4	Q5	PS	Kit	Description	Option(s)	Remark
1	VOE465243	1							Bracket		LH
	VOE465244	1							Anchorage		RH
2	VOE13965192	4							Screw		
3	VOE13970974	2							Hexagon screw		(14014622)
4	VOE14040547	2							Spacer		
5	VOE14015146	2							Washer		
6	VOE14237784	2							Rubber cushion		
7	VOE13970974	2							Hexagon screw		(14014622)
8	VOE13930908	2							Washer		(VOE13976629)
9	VOE14040200	2							Bracket		

10	VOE13970975	8							Hexagon screw		
11	VOE14252182	4							Spacer		
12	VOE14024293	REQ					OP		Locking fluid		250 ML
13	VOE352424	2							Rubber cushion		
14	VOE955566	8							Hexagon screw		
15	VOE14040547	1							Spacer		
16	VOE955569	8							Hexagon screw		
17	VOE14040547	8							Spacer		

Date: 2014/1/4	Image id: FH408	Catalogue: 99516	Model: EC300
Brand: Åkerman	Serial: 4371-4797	Group/Section: 218/125	Title: Engine mounting SER NO 4629 - 5094

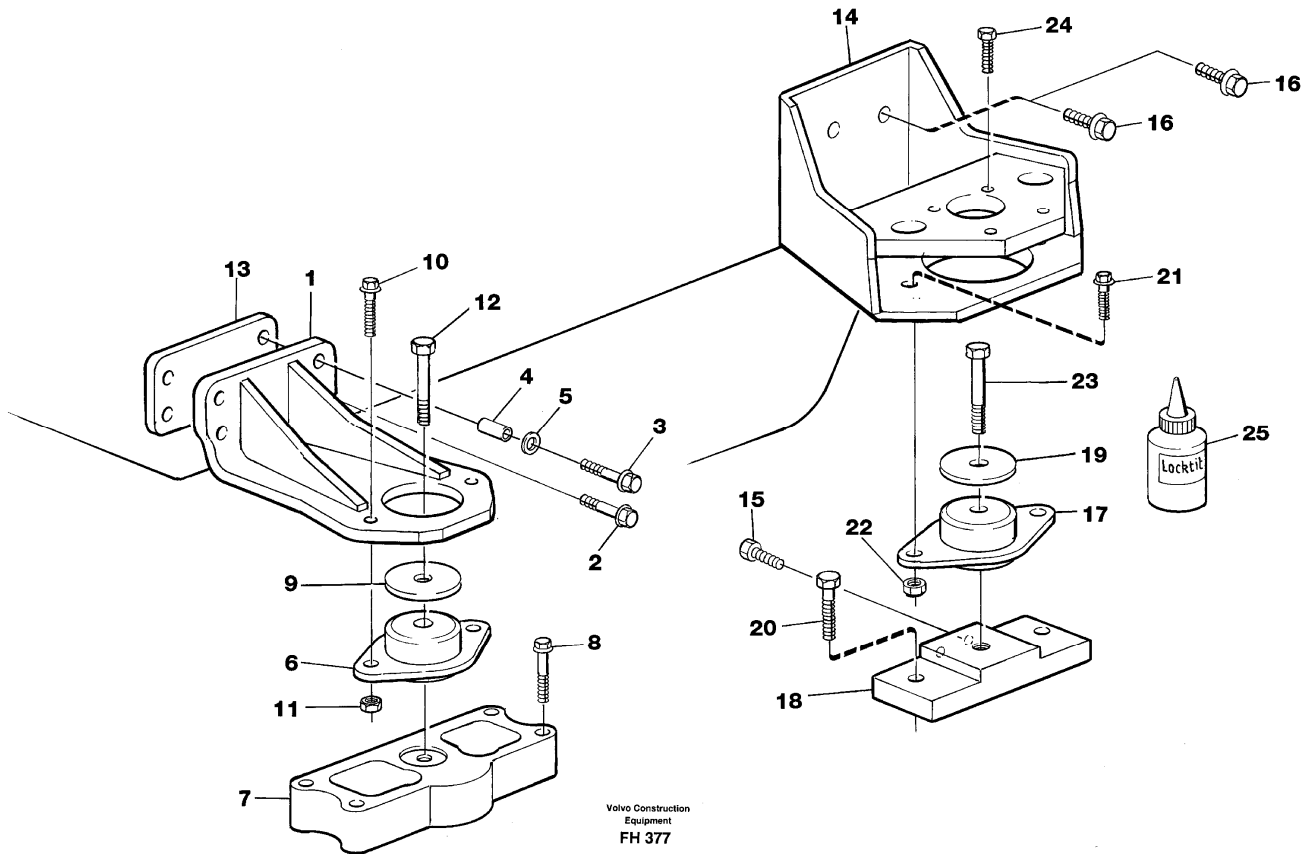


VME Parts AB
FH 408
 PRINTED IN SWEDEN

Pos	Part	Q1	Q2	Q3	Q4	Q5	PS	Kit	Description	Option(s)	Remark
1	VOE465243	1							Bracket		LH
	VOE465244	1							Anchorage		RH
2	VOE13965192	4							Screw		
3	VOE13970974	2							Hexagon screw		(14014622)
4	VOE14040547	2							Spacer		
5	VOE14015146	2							Washer		
6	VOE14237784	2							Rubber cushion		
7	VOE13970974	2							Hexagon screw		(14014622)
8	VOE13930908	2							Washer		(VOE13976629)
9	VOE14248379	2							Engine anchorage		

10	VOE13970975	4							Hexagon screw		
11	VOE14252182	4							Spacer		
12	VOE965227	4							Flange screw		
13	VOE14024293	REQ						OP	Locking fluid		
14	VOE14042803	1							Spacer		RH
15	VOE14248380	1							Spacer		LH
16	VOE955392	1							Hexagon screw		LR, M20x80MM
	VOE955393	1							Hexagon screw		(VOE14023352)LH, M20x90MM
17	VOE13970981	4							Hexagon screw		
18	VOE13930908	4							Washer		(VOE13976629)
19	VOE14216299	2							Rubber damper		
20	VOE955363	4							Hexagon screw		
21	VOE14015147	4							Washer		

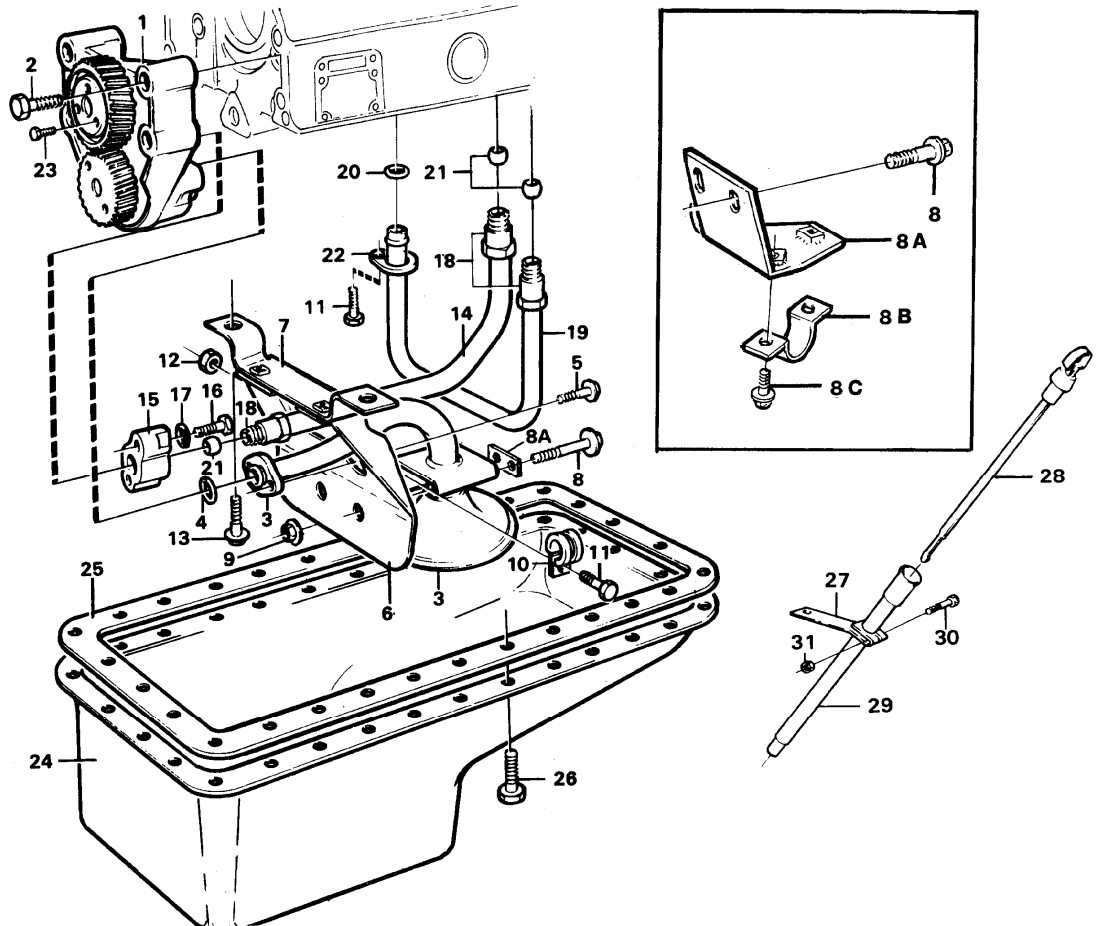
Date: 2014/1/4	Image id: FH377	Catalogue: 99516	Model: EC300
Brand: Åkerman	Serial: 4371-4797	Group/Section: 218/150	Title: Engine mounting SER NO 5095-



Pos	Part	Q1	Q2	Q3	Q4	Q5	PS	Kit	Description	Option(s)	Remark
1	VOE14341799	2							Engine anchorage		FRONT
2	VOE965195	1							Flange screw		L = 70MM
3	VOE965227	7							Flange screw		L = 55MM
4	VOE14248468	1							Sleeve		
5	VOE13930908	1							Washer		(VOE13976629)
6	VOE14343640	2							Rubber cushion		(VOE14342933)
7	VOE14341802	2							Adapter		
8	VOE965195	8							Flange screw		
9	VOE14342464	2							Washer		
10	VOE13965192	4							Screw		
11	VOE13971090	4							Lock nut		(VOE971090)
12	VOE13955374	2							Screw		
13	VOE14341881	2							Spacer		
14	VOE14341798	2							Engine anchorage		REAR
15	VOE13965191	4							Screw		L = 30MM

16	VOE965227	4							Flange screw		L = 55MM
17	VOE14343641	2							Rubber cushion		(VOE14342934)
18	VOE14341801	2							Adapter		
19	VOE14342464	2							Washer		
20	VOE13955366	4							Screw		
21	VOE13965192	4							Screw		
22	VOE13971090	4							Lock nut		(VOE971090)
23	VOE13955374	2							Screw		
24	VOE13965192	4							Screw		
25	VOE14024293	REQ						OP	Locking fluid		

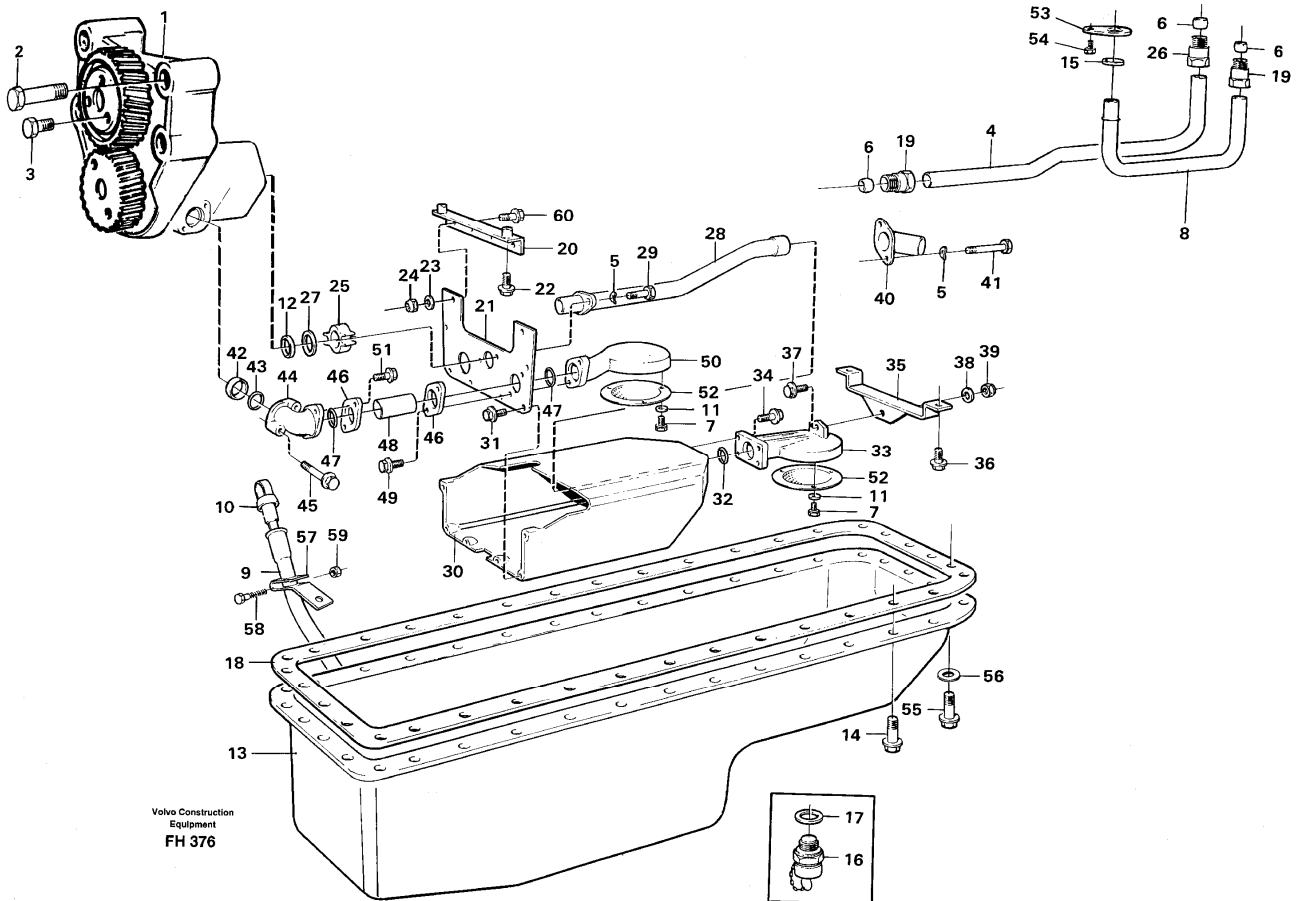
Date: 2014/1/4	Image id: FH259A	Catalogue: 99516	Model: EC300
Brand: Åkerman	Serial: 4371-4797	Group/Section: 220/100	Title: Lubricating oil system TD 71 GE, ENG - 77855



VME Parts AB
FH 259 A
PRINTED IN SWEDEN

Pos	Part	Q1	Q2	Q3	Q4	Q5	PS	Kit	Description	Option(s)	Remark
1		1							Oil pump		See ref 221/100
2	VOE471513	4							Screw		
3	VOE4772100	1							Suction pipe		ENG - 97292
	VOE11030171	1							Suction pipe		ENG 97293 -
4	VOE470383	2							Sealing ring		
5	VOE13965183	2							Flange screw		ENG - 97292
	VOE13965184	2							Flange screw		ENG 97293 -
6	VOE4772097	1							Baffle plate		ENG - 97292
	VOE11032801	1							Baffle plate		ENG 97293 -
7	VOE4772098	1							Bracket		ENG - 97292
	VOE11032855	1							Bracket		ENG 97293 -
8	VOE13965218	2							Screw		ENG - 97292
	VOE946440	2							Flange screw		ENG 97293 -
8A	VOE421750	1							Washer		ENG - 97292

Date: 2014/1/4	Image id: FH376	Catalogue: 99516	Model: EC300
Brand: Åkerman	Serial: 4371-4797	Group/Section: 220/150	Title: Lubricating oil system TD 71 GE, TD 71 ACE, ENG 77856-



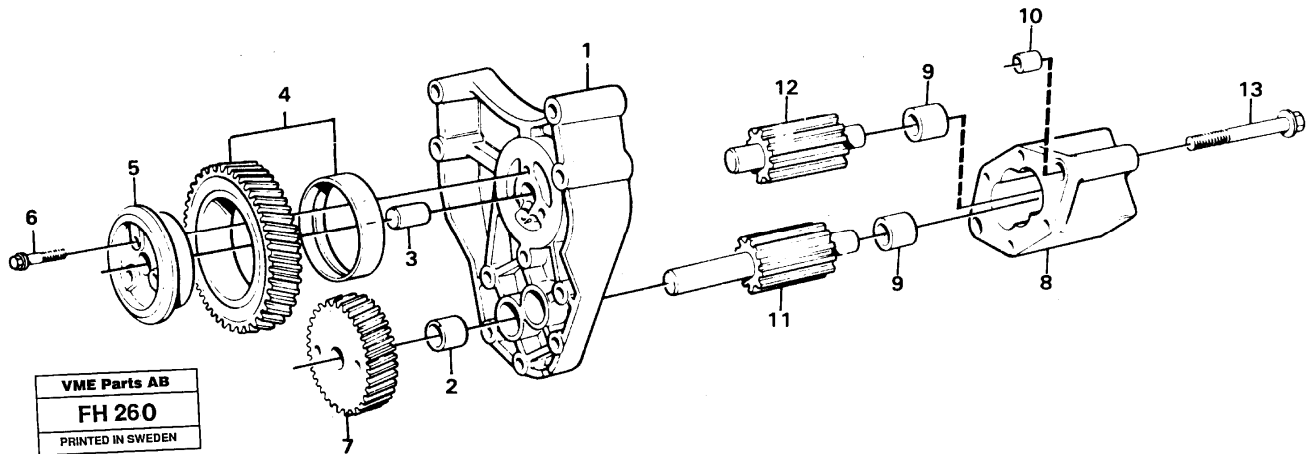
Q1-Q5	Option	Option description	
Q1 TD71GE			

Pos	Part	Q1	Q2	Q3	Q4	Q5	PS	Kit	Description	Option(s)	Remark
1		1							Oil pump		See ref 221/100
2	VOE471734	2							Screw		
3	VOE471513	4							Screw		
4	VOE4772186	1							Oil feed pipe		TD71GE, ENG - 97292
	VOE11032847	1							Oil feed pipe		TD71GE, ENG 97293 -
	VOE477947	1							Oil feed pipe		TD71ACE, ENG - 97292
	VOE477948	1							Oil feed pipe		TD71ACE, ENG 97293 -
5	VOE13955894	4							Washer		
6	VOE980786	3							Fitting		(VOE956972)
7	VOE955268	6							Hexagon screw		
8	VOE4772187	1							Oil feed pipe		
9	VOE862055	1							Tube		

10	VOE862197	1					OP		Oil dipstick		
	VOE955984	1							•O-ring		
11	VOE955948	6							Toothed washer		
12	VOE470383	1							Sealing ring		
13	VOE11030522	1							Oil pan		See ref 217/100
14	VOE946440	32							Flange screw		
	VOE956567	4							Screw		
15	VOE471956	2							Sealing ring		
16	VOE11054692	1							Valve		
17	VOE949329	1							Gasket		
18	VOE11030779	1							Gasket		TD 71 GE
	VOE11030779	1							Gasket		TD 71 ACE
19	VOE471588	2							Connector		
20	VOE11032898	1							Bracket		(VOE11030588)
21	VOE4772181	1							Baffle plate		TD71GE
	VOE4772097	1							Baffle plate		TD71ACE, ENG - 97292
	VOE11032801	1							Baffle plate		TD71ACE, ENG 97293 -
22	VOE13946173	2							Screw		(VOE946173)
23	VOE13955894	2							Washer		
24	VOE946036	2							Lock nut		
25	VOE4772185	1							Spacer		
26	VOE471595	2							Connector		
27	VOE4778331	1							Spacer		
28	VOE11030590	1							Suction pipe		TD71GE, ENG - 97292
	VOE11032849	1							Suction pipe		TD71GE, ENG 97293 -
	VOE4772100	1							Suction pipe		TD71ACE, ENG - 97292
	VOE11030171	1							Suction pipe		TD71ACE, ENG 97293 -
29	VOE968303	2							Hexagon screw		
30	VOE4772172	1							Oil reservoir		
31	VOE946440	6							Flange screw		
32	VOE944126	1							O-ring		
33	VOE4778037	1							Strainer housing		
34	VOE946671	4							Flange screw		
35	VOE4772182	1							Bracket		
36	VOE946440	2							Flange screw		
37	VOE946671	1							Flange screw		
38	VOE13955894	1							Washer		
39	VOE946036	1							Lock nut		
40	VOE4778425	1							Pipe		
41	VOE955312	2							Hexagon screw		ENG - 97292
	VOE980103	2							Hexagon screw		ENG 97293 -
42	VOE4778328	1							Sleeve		
43	VOE944126	1							O-ring		
44	VOE4772174	1							Connector		
45	VOE13965216	2							Screw		
46	VOE4778330	2							Flange		
47	VOE944126	2							O-ring		

48	VOE4772177	1							Tube		
49	VOE13946173	4							Screw		(VOE946173)
50	VOE4772173	1							Strainer housing		
51	VOE13947760	2							Screw		
52	VOE4778048	2							Strainer		
53	VOE471746	1							Clamp		
54	VOE946440	1							Flange screw		
55	VOE956568	4							Allen Hd Screw		
56	VOE13955894	4							Washer		
57	VOE4772104	1							Clamp		
58	VOE13948356	1							Flange screw		
59	VOE13945407	1							Nut		
	VOE955082	1							Cap plug		
60	VOE946440	2							Flange screw		

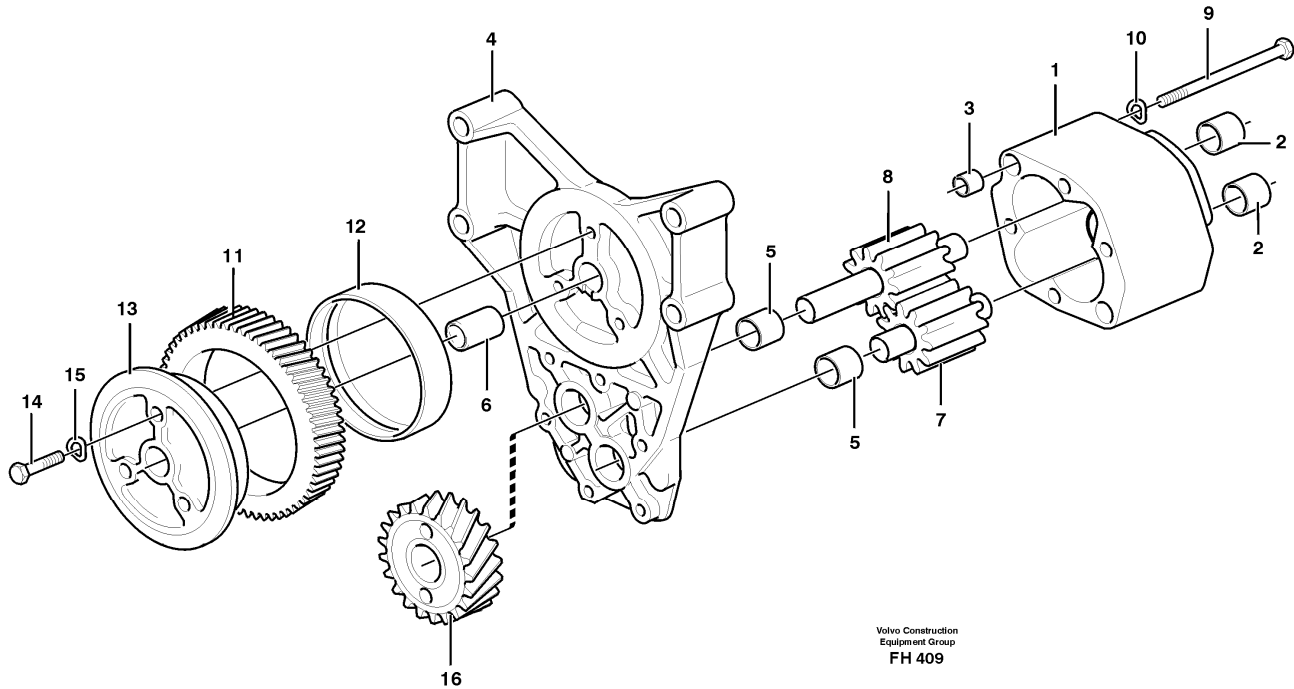
Date: 2014/1/4	Image id: FH260	Catalogue: 99516	Model: EC300
Brand: Åkerman	Serial: 4371-4797	Group/Section: 221/100	Title: Oil pump ENG - 97292



Q1-Q5	Option	Option description	
Q1 TD 71 GE			
Q2 TD 71 ACE			

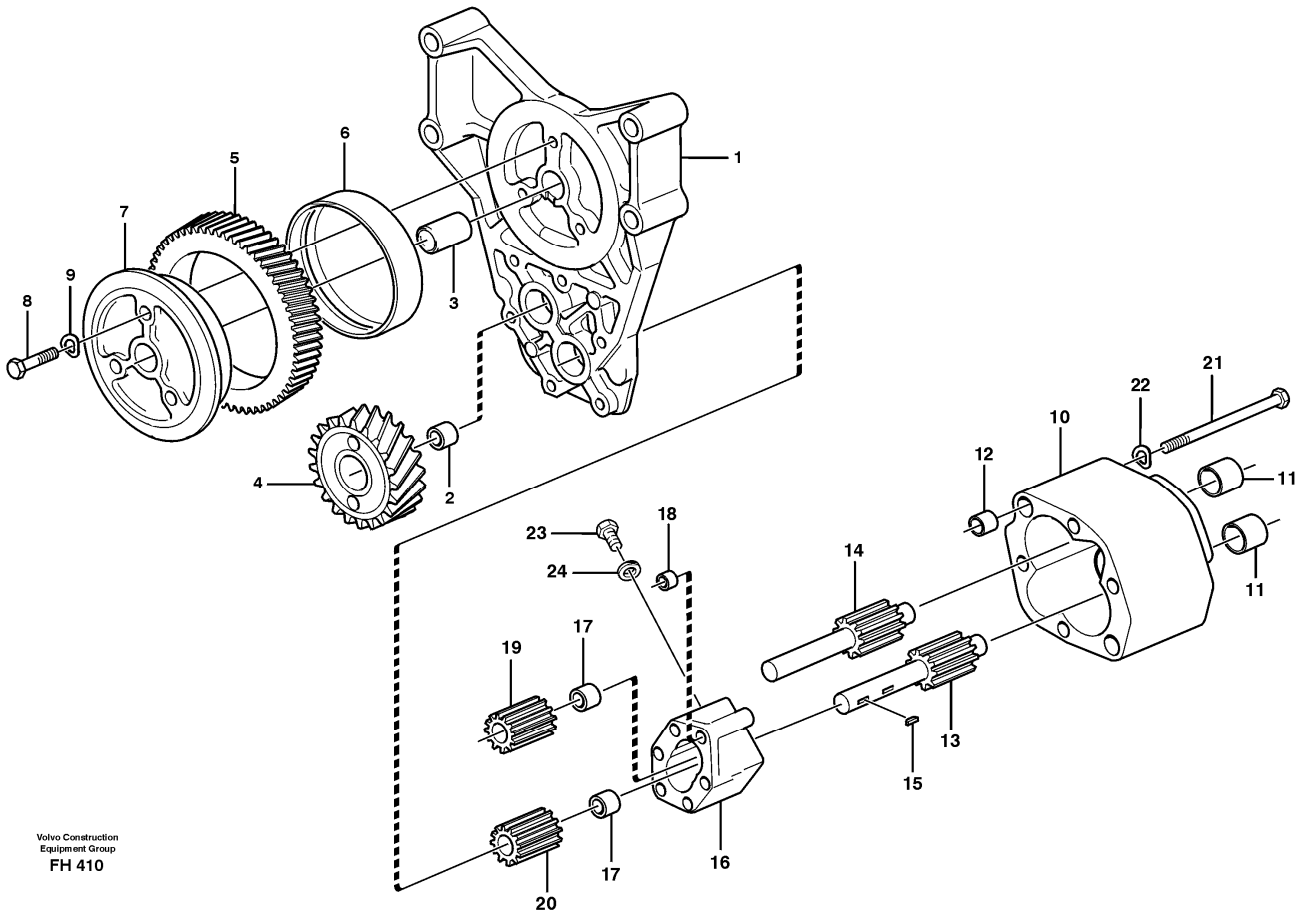
Pos	Part	Q1	Q2	Q3	Q4	Q5	PS	Kit	Description	Option(s)	Remark
	VOE11030633	1							Oil pump		
	VOE477547		1						Oil pump		
	VOE471571	1	1						•Bracket		
1	VOE471572	1	1				NS		••Bracket		
2	VOE470347	2	2					K	•••Bushing		
3	VOE191171	1	1						••Pin		(VOE191171)
4	VOE471942	1	1						•Drive Gear		
5	VOE420048	1	1						•Bearing sleeve		
6	VOE471586	1	1						•Screw		
7	VOE471941	1	1						•Drive Gear		
	VOE4772129	1	1				NS		•Oil pump housing		
8	VOE4772131	1	1				NS		••Housing		
9	VOE470347	2	2					K	•••Bushing		
10	VOE401146	1	1						••Guide sleeve		
11		1	1				NS	K	•Shaft		
12		1	1				NS	K	•Shaft		
13	VOE13955311	2							•Screw		(VOE965218)
	VOE13965181		2						•Screw		
	VOE11702289	1							Repair kit		
	VOE276152		1						Repair kit		

Date: 2014/1/4	Image id: FH409	Catalogue: 99516	Model: EC300
Brand: Åkerman	Serial: 4371-4797	Group/Section: 221/200	Title: Oil pump TD71ACE



Pos	Part	Q1	Q2	Q3	Q4	Q5	PS	Kit	Description	Option(s)	Remark
	VOE864760	1							Oil pump		ENG 97293 -
1	VOE470345	1					NS		•Oil pump housing		
2	VOE470347	2							••Bushing		
3	VOE401146	2							••Guide sleeve		
4	VOE471572	1					NS		•Bracket		
5	VOE470347	2							••Bushing		
6	VOE191171	1							••Pin		
7	VOE471579	1					NS		•Shaft		
8	VOE478273	1					NS		•Shaft		
9	VOE13965183	2							•Flange screw		
10	VOE13941907	2							•Washer		
11	VOE471942	1							•Drive Gear		
12	VOE471585	1					NS		••Bushing		
13	VOE420048	1							•Bearing sleeve		
14	VOE940186	1							•Hexagon screw		
15	VOE13941907	1							•Washer		
16	VOE471941	1							•Drive Gear		
	VOE276156	1							Repair kit		

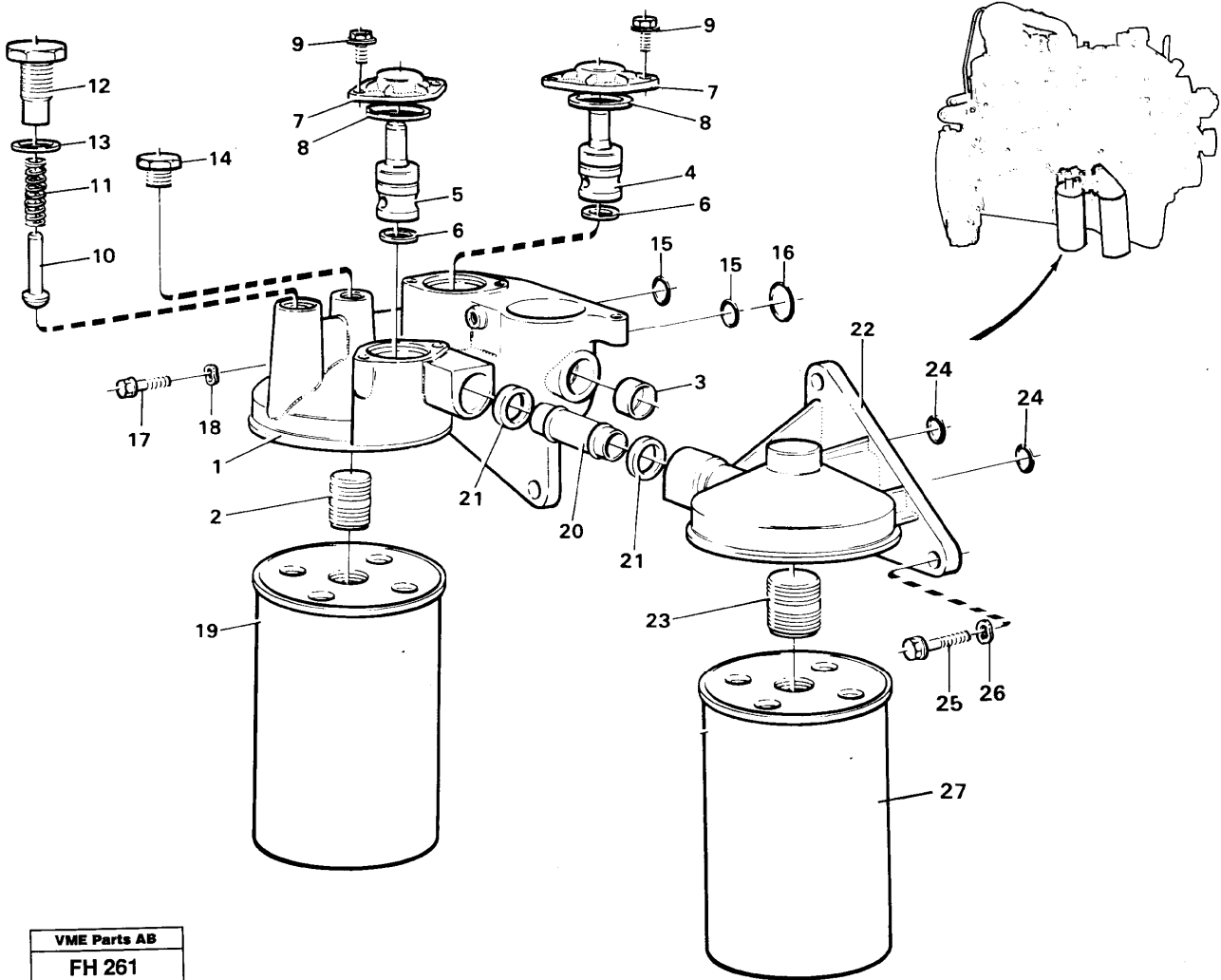
Date: 2014/1/4	Image id: FH410	Catalogue: 99516	Model: EC300
Brand: Åkerman	Serial: 4371-4797	Group/Section: 221/300	Title: Oil pump TD71GE



Pos	Part	Q1	Q2	Q3	Q4	Q5	PS	Kit	Description	Option(s)	Remark
	VOE11032844	1							Oil pump		ENG 97293 -
1	VOE471571	1							•Bracket		
2	VOE470347	2							••Bushing		
3	VOE191171	1							••Pin		(VOE7191171)
4	VOE471941	1							•Drive Gear		
5	VOE471942	1							•Drive Gear		
6	VOE471585	1					NS		••Bushing		
7	VOE420048	1							•Bearing sleeve		
8	VOE471586	1							•Screw		
9	VOE13941907	1							•Washer		
10	VOE470344	1					NS		•Oil pump housing		
11	VOE470347	2							••Bushing		
12	VOE401146	2							••Guide sleeve		
13	VOE4778325	1							•Shaft		

14	VOE4778319	1							•Shaft		
15	VOE910115	1							•Woodruff key		
16	VOE11032851	1							•Pump housing		
17	VOE470347	2							••Bushing		
18	VOE401146	2							••Guide sleeve		
19	VOE4778435	1							•Gear		
20	VOE470353	1							•Pump rotor		
21	VOE967825	2							•Hexagon screw		
22	VOE13941907	2							•Washer		
23	VOE13960632	1							•Plug		
24	VOE13947624	1							•Plane gasket		

Date: 2014/1/4	Image id: FH261	Catalogue: 99516	Model: EC300
Brand: Åkerman	Serial: 4371-4797	Group/Section: 222/100	Title: Oil filter, Housing



VME Parts AB
FH 261
PRINTED IN SWEDEN

Pos	Part	Q1	Q2	Q3	Q4	Q5	PS	Kit	Description	Option(s)	Remark
	VOE471600	1							Housing		
1	VOE421637	1					NS		•Oil filter housing		
2	VOE466623	1							••Nipple		
3	VOE13948811	1							••Cap plug		
4	VOE471812	1							•Valve		BLUE, TD 71 GE
	VOE471706	1							•Reduction valve		TD 71 ACE
	VOE466445	1							••Compression spring		
5	VOE471640	1							•Reduction valve		RED, TD 71 GE
	VOE471646	1							•Piston cooling valve		TD 71 ACE
6	VOE469846	2							•Sealing ring		

Thank you so much for reading.
Please click the “Buy Now!”
button below to download the
complete manual.



After you pay.

You can download the most
perfect and complete manual in
the world immediately.

Our support email:

ebooklibonline@outlook.com