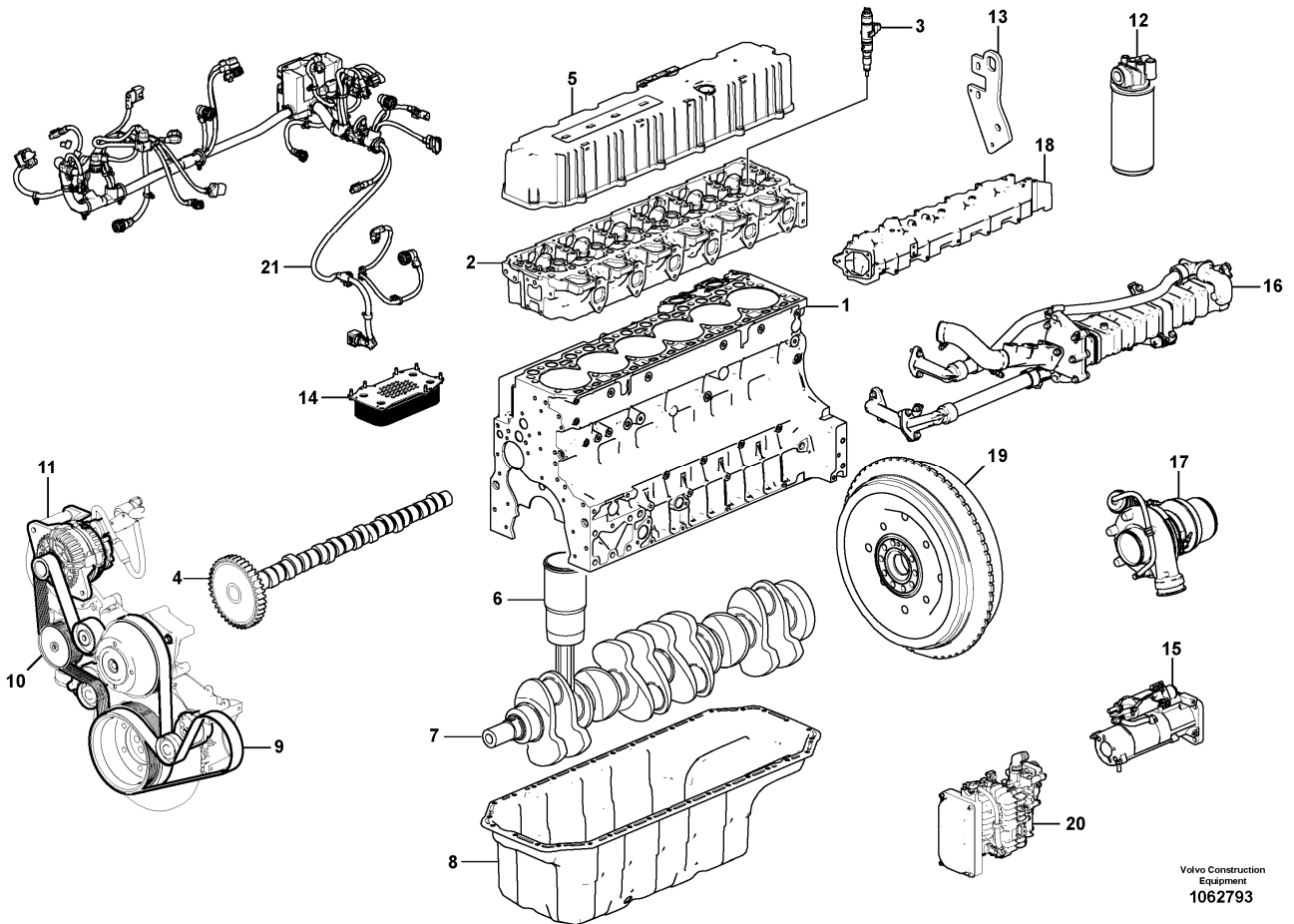


Date: 2014/1/6	Image id: 1062793	Catalogue: 20612	Model: EC300D L
Brand: Volvo	Serial: 210001-	Group/Section: 210/100	Title: Engine



Section option	Kit	Option description
VOE17231261		Engine D8H, US
VOE17231262		Engine D8H, EU
VOE15083725		Engine D8H, US
VOE15165693		Engine D8H, EU
VOE8289045		Engine Installation D8H, US
VOE8289682		Engine Installation D8H, EU

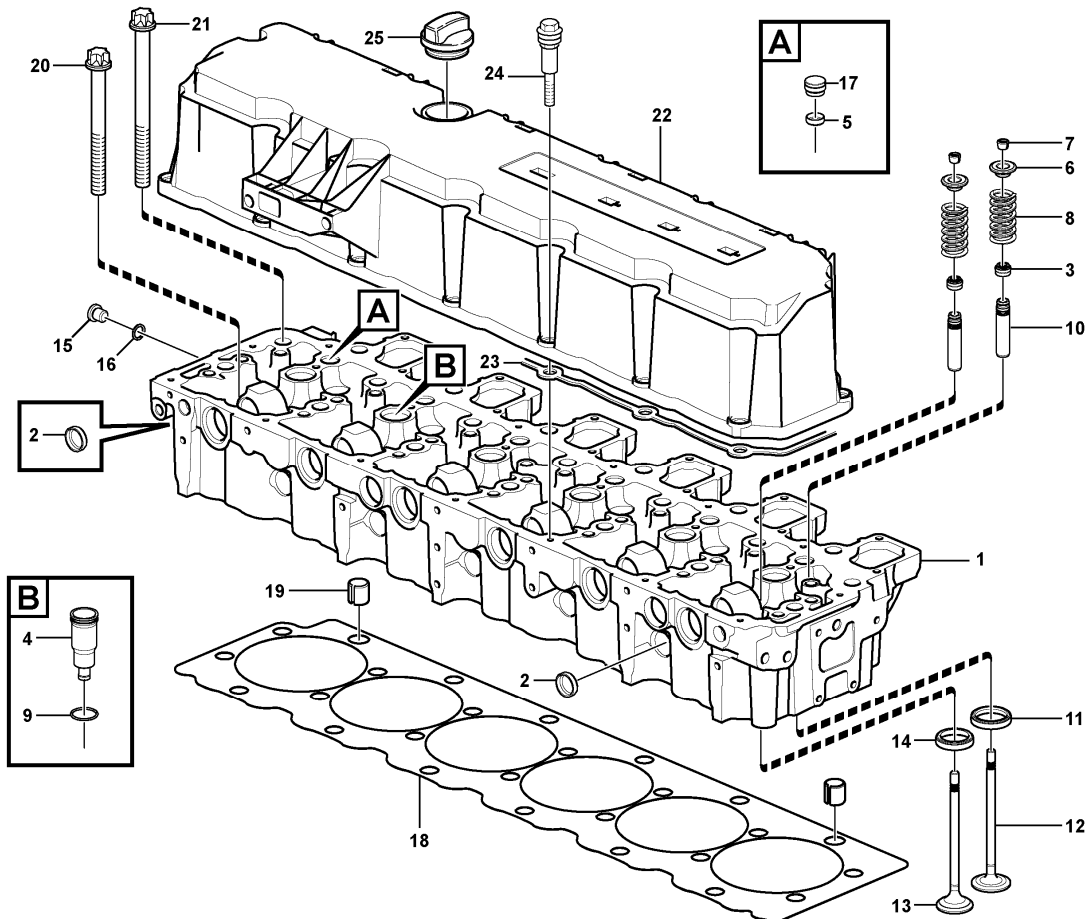
Q1-Q5	Option	Option description	
Q1 8289682	VOE8289682	Engine Installation D8H, EU	
Q2 8289045	VOE8289045	Engine Installation D8H, US	

Pos	Part	Q1	Q2	Q3	Q4	Q5	PS	Kit	Description	Option(s)	Remark
	VOE17231262	1							Engine		See footnote 1) D8H, EU

	VOE17231261		1						Engine		See footnote 1) D8H, US
1		1	1						Cylinder block		See ref 212/100
2		1	1						Cylinder head		See ref 211/100
3		1	1						Injector		See ref 237/100
4		1	1						Camshaft		See ref 214/100
5		1	1						Valve Cover		See ref 211/100
6		6	6						Cylinder liner,piston		See ref 213/100
7		1	1						Crankshaft		See ref 216/100
8		1	1						Oil sump		See ref 217/100
9		1	1						Belt Xmsn		See ref 263/100
10		1	1						Water Pump		See ref 262/100
11		1	1						Alternator		See ref 321/100
12		1	1						Oil filter		See ref 222/100
13		1	1						Engine mounting		See ref 218/200
14		1	1						Oil cooler		See ref 223/100
15		1	1						Starter Motor		See ref 331/100
16		1	1						EGR valve		See ref 293/100
17		1	1						Turbocharger		See ref 255/100
18		1	1						Inlet Manifold		See ref 251/100
19		1	1						Flywheel		See ref 216/100
20		1	1						Air compressor		See ref 254/600
21		1	1						Cable harness		See ref 286/200

1) Replacement version

Date: 2014/1/6	Image id: 1062046	Catalogue: 20612	Model: EC300D L
Brand: Volvo	Serial: 210001-	Group/Section: 211/100	Title: Cylinder head with fitting parts 8289045, 8289682



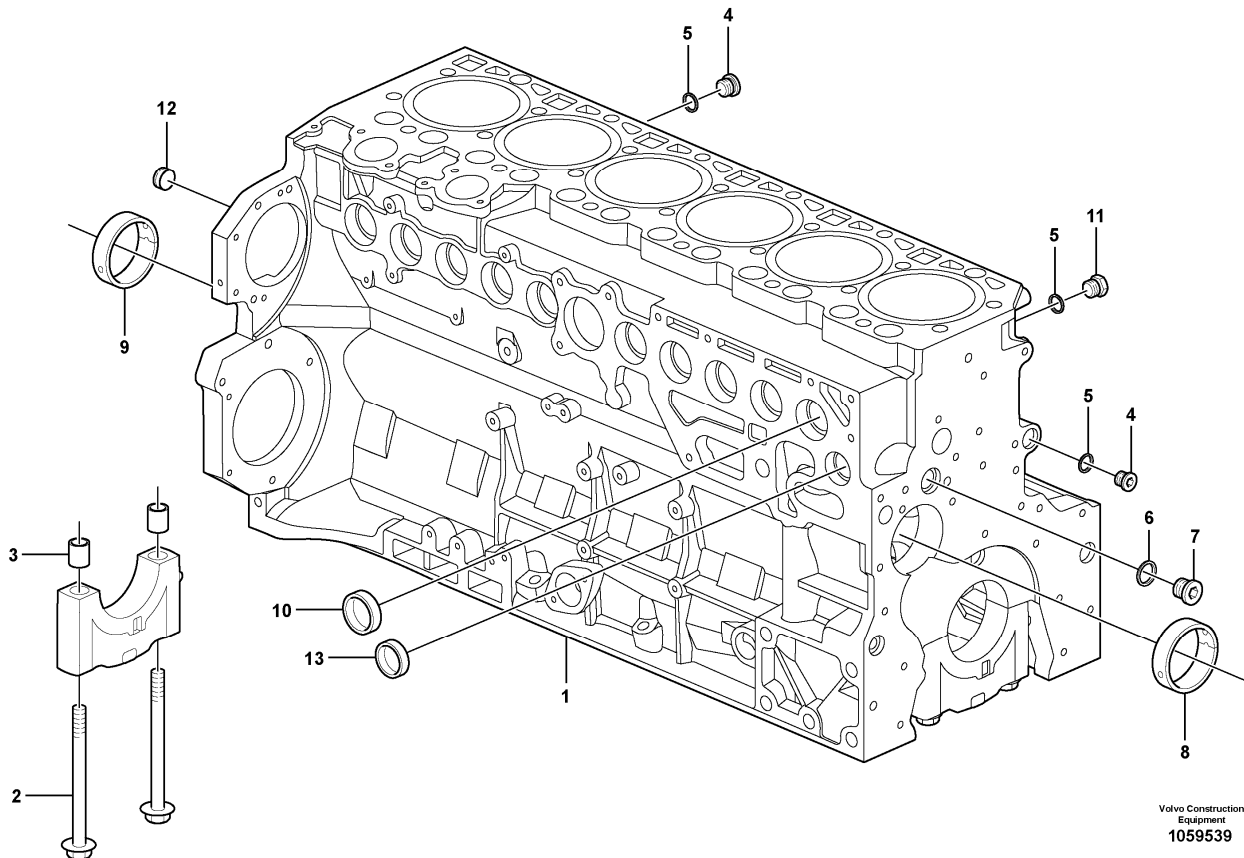
Volvo Construction
Equipment
1062046

Section option	Kit	Option description
VOE15083725		Engine D8H, US
VOE15165693		Engine D8H, EU
VOE8289045		Engine Installation D8H, US
VOE8289682		Engine Installation D8H, EU

Pos	Part	Q1	Q2	Q3	Q4	Q5	PS	Kit	Description	Option(s)	Remark
1	VOE21689862	1							Cylinder head		
2	VOE20834024	6							•Cap plug		
3	VOE21751313	24					NS		•Seal		
4	VOE20903104	6							•Sleeve		
5	VOE20799312	6							•Cap plug		
6	VOE20788860	24							•Cap		
7	VOE20459857	48							•Valve sleeve		
8	VOE20859646	24							•Compression spring		

9	VOE20903092	6							•O-ring		
10	VOE21714188	24							•Valve guide		
11	VOE21714184	12							•Valve insert		
12	VOE21714205	12							•Inlet valve		
13	VOE20833936	12							•Exhaust valve		
14	VOE20833930	12							•Valve insert		
15	VOE20459941	1							•Plug		
16	VOE20460061	1							•Sealing ring		
17	VOE20789661	6					NS		•		
18	VOE21714215	1							Gasket		THICK = 1,15 mm
18	VOE21714221	1							Gasket		THICK = 1,25 mm
19	VOE20799601	2							Spring pin		
20	VOE20792992	6							Bolt		
21	VOE20793002	20							Bolt		
22	VOE21726603	1					NS		Casing		
23	VOE20788793	1							Gasket		
24	VOE20833901	15							Bolt		
25	VOE20859656	1							Cover		

Date: 2014/1/6	Image id: 1059539	Catalogue: 20612	Model: EC300D L
Brand: Volvo	Serial: 210001-	Group/Section: 212/100	Title: Cylinder block 8289045, 8289682

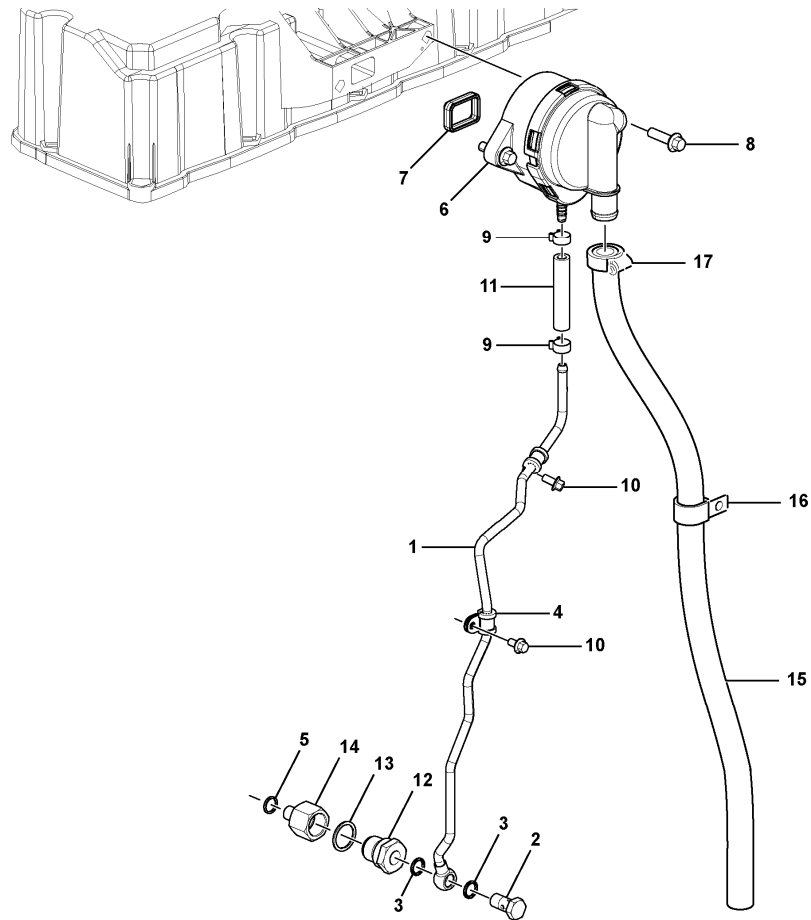


Section option	Kit	Option description
VOE15083725		Engine D8H, US
VOE15165693		Engine D8H, EU
VOE8289045		Engine Installation D8H, US
VOE8289682		Engine Installation D8H, EU

Pos	Part	Q1	Q2	Q3	Q4	Q5	PS	Kit	Description	Option(s)	Remark
1	VOE21689804	1							Crankcase		
2	VOE20860579	14							•Bolt		
3	VOE20858657	14							•Bushing		
4	VOE11700279	2							•Plug		
5	VOE993677	3							•Gasket		
6	VOE993680	1							•Gasket		
7	VOE20460024	1							•Plug		
8	VOE20858674	6							•Bushing		
9	VOE20858666	1							•Bushing		

10	VOE20405721	10							•Core plug		
11	VOE20405716	1							•Plug		
12	VOE20405722	1							•Plug		
13	VOE20798056	1					NS		Plug		

Date: 2014/1/6	Image id: 1062599	Catalogue: 20612	Model: EC300D L
Brand: Volvo	Serial: 210001-	Group/Section: 212/200	Title: Crankcase ventilation 8289045, 8289682



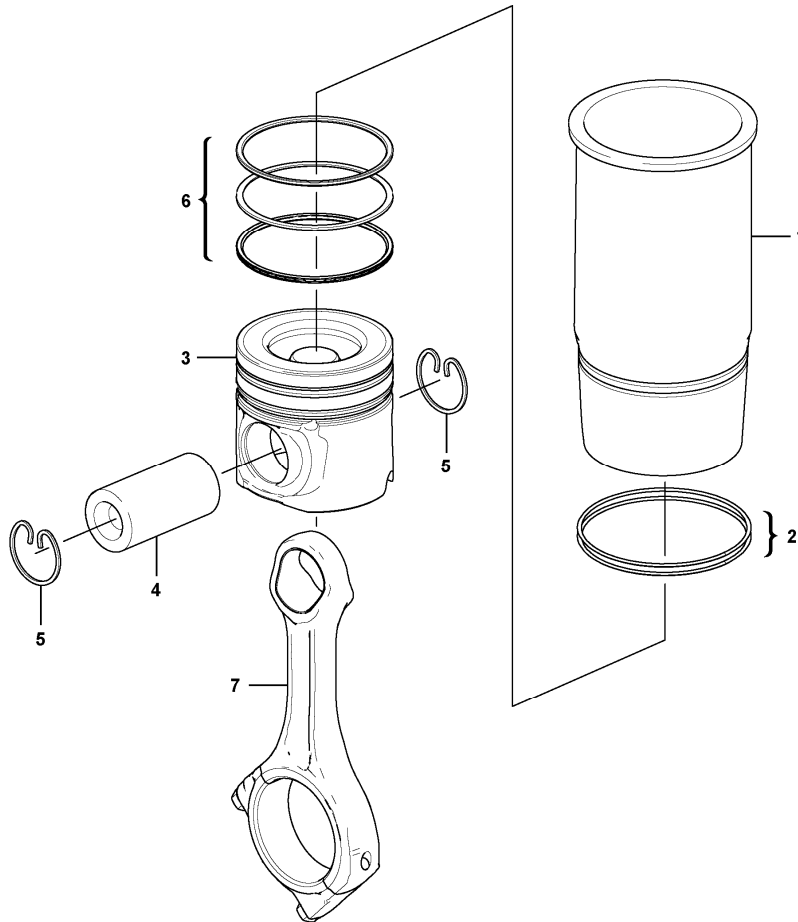
Volvo Construction
Equipment
1062599

Section option	Kit	Option description
VOE15083725		Engine D8H, US
VOE15165693		Engine D8H, EU
VOE8289045		Engine Installation D8H, US
VOE8289682		Engine Installation D8H, EU

Pos	Part	Q1	Q2	Q3	Q4	Q5	PS	Kit	Description	Option(s)	Remark
1	VOE21735710	1							Leak-off line		
2	VOE20460936	1							•Hollow screw		
3	VOE993605	2							•Gasket		
4	VOE20799142	2							Clamp		
5	VOE20460061	1							Sealing ring		
6	VOE20930510	1							Pressure regulator		
7	VOE21038626	1							•Gasket		
8	VOE20405504	2							Screw		
9	VOE20405568	2							Clip		

10	VOE20405729	2							Screw		
11	VOE20799616	1							Hose		
12	VOE21500616	1							Drain valve		
13	VOE20460026	1							•Sealing ring		
14	VOE20999236	1					NS		•Adapter		
15	VOE14880502	1							Hose		
16	VOE14539461	1							Clip		
17	VOE943475	1							Hose clamp		

Date: 2014/1/6	Image id: 1062116	Catalogue: 20612	Model: EC300D L
Brand: Volvo	Serial: 210001-	Group/Section: 213/100	Title: Cylinder liner and piston 8289045, 8289682

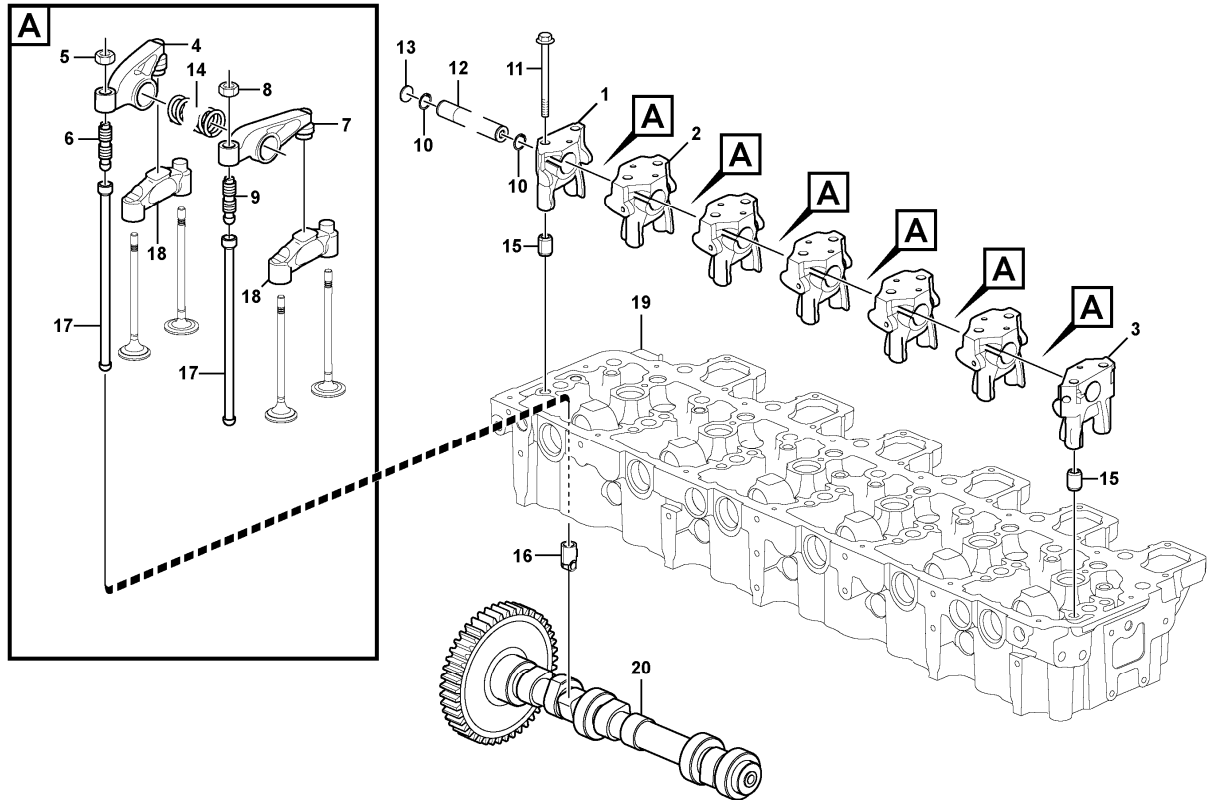


Volvo Construction
Equipment
1062116

Section option	Kit	Option description
VOE15083725		Engine D8H, US
VOE15165693		Engine D8H, EU
VOE8289045		Engine Installation D8H, US
VOE8289682		Engine Installation D8H, EU

Pos	Part	Q1	Q2	Q3	Q4	Q5	PS	Kit	Description	Option(s)	Remark
1	VOE21714046	6					NS		Cylinder Liner		
2	VOE20412762	12							•O-ring		
3		6					NS		Piston		
4		6					NS		•Gudgeon Pin		
5		12					NS		•Retaining ring		
6		6					NS		•Seg Ring Kit		
7		6							Connecting rod		See ref 216/100

Date: 2014/1/6	Image id: 1061632	Catalogue: 20612	Model: EC300D L
Brand: Volvo	Serial: 210001-	Group/Section: 214/100	Title: Valve mechanism 8289045, 8289682



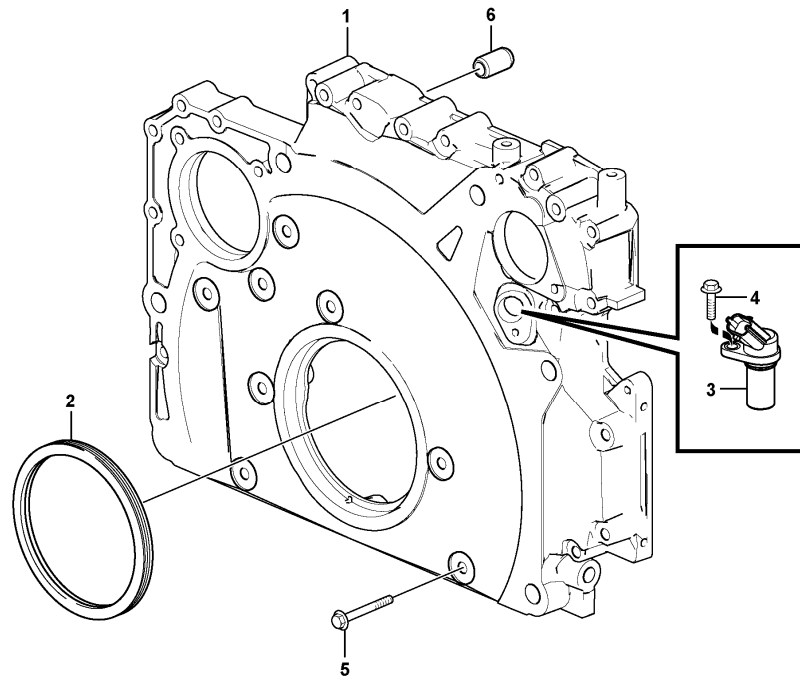
Volvo Construction
Equipment
1061632

Section option	Kit	Option description
VOE15083725		Engine D8H, US
VOE15165693		Engine D8H, EU
VOE8289045		Engine Installation D8H, US
VOE8289682		Engine Installation D8H, EU

Pos	Part	Q1	Q2	Q3	Q4	Q5	PS	Kit	Description	Option(s)	Remark
1	VOE20858513	1					NS		Bracket		
2	VOE20858519	5					NS		Bracket		
3	VOE20858516	1					NS		Bracket		
4	VOE21458892	6							Rocker arm		
5	VOE11700373	6							•Nut		
6	VOE21458899	6							•Adjusting screw		
7	VOE21458904	6							Rocker arm		
8	VOE11700373	6							•Nut		
9	VOE21458899	6							•Adjusting screw		

10	VOE945495	2							Retaining ring		
11	VOE993447	14							Flange screw		
12	VOE21294973	1							Rocker arm shaft		
13	VOE20799622	2					NS		•Cap Plug		
14	VOE20800018	6							Compression spring		
15	VOE20799596	2							Spring pin		
16	VOE21486078	12							Tappet		
17	VOE21034347	12							Push rod		
18	VOE20861884	12							Bridge		
19		1							Cylinder head		See ref 211/100
20	VOE21426367	1							Camshaft		

Date: 2014/1/6	Image id: 1061639	Catalogue: 20612	Model: EC300D L
Brand: Volvo	Serial: 210001-	Group/Section: 215/100	Title: Timing gear casing 8289045, 8289682

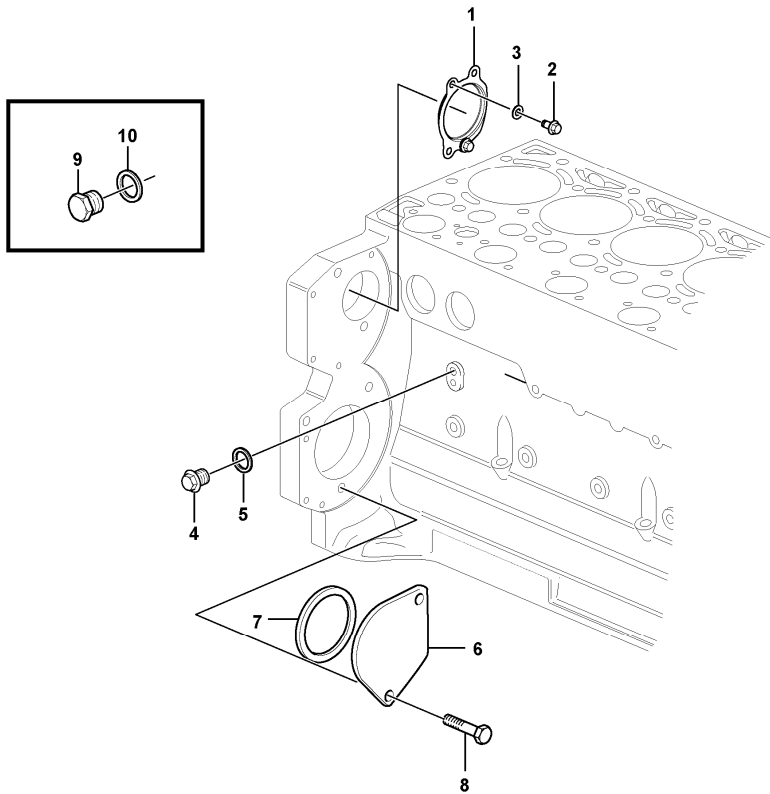


Volvo Construction
Equipment
1061639

Section option	Kit	Option description
VOE15083725		Engine D8H, US
VOE15165693		Engine D8H, EU
VOE8289045		Engine Installation D8H, US
VOE8289682		Engine Installation D8H, EU

Pos	Part	Q1	Q2	Q3	Q4	Q5	PS	Kit	Description	Option(s)	Remark
1	VOE21721520	1							Timing gear casing		
2	VOE21486084	1							Lip seal		
3	VOE20513343	1							Sensor		SE2703
4	VOE20450694	1							Screw		
5	VOE20405709	19							Screw		
6	VOE20799558	1							Spring pin		

Date: 2014/1/6	Image id: 1062250	Catalogue: 20612	Model: EC300D L
Brand: Volvo	Serial: 210001-	Group/Section: 215/200	Title: Pump drive power take-off 8289045, 8289682



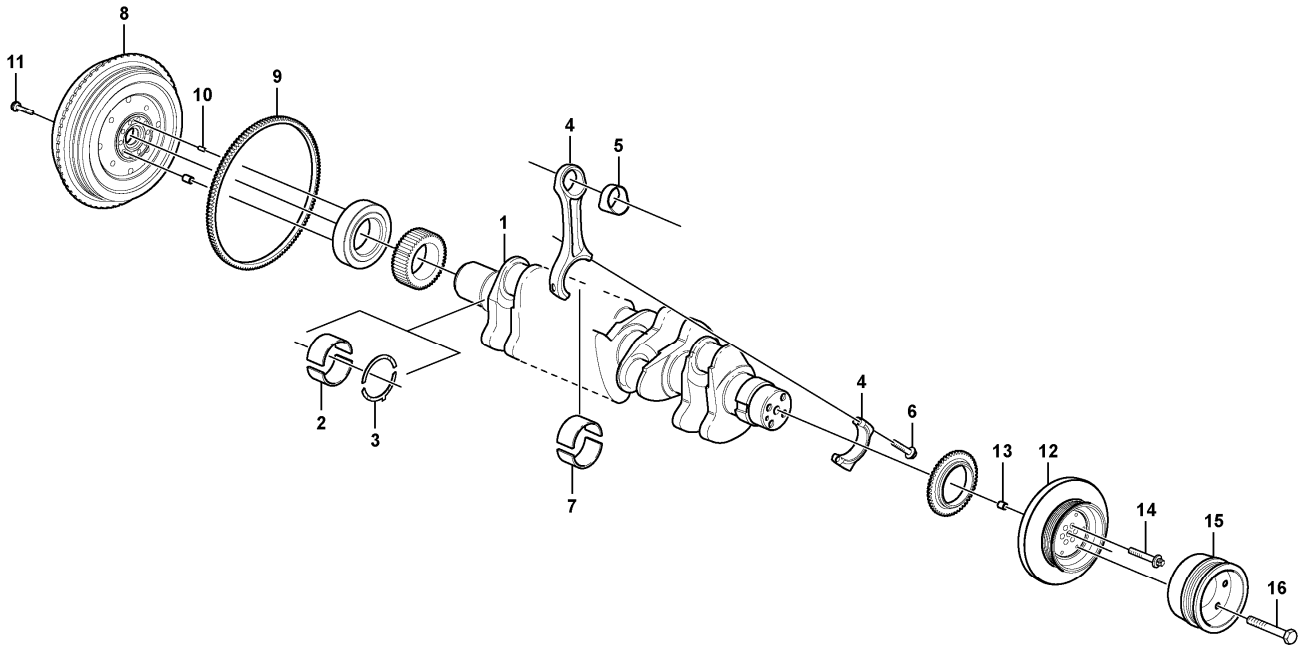
Volvo Construction
Equipment
1062250

Section option	Kit	Option description
VOE15083725		Engine D8H, US
VOE15165693		Engine D8H, EU
VOE8289045		Engine Installation D8H, US
VOE8289682		Engine Installation D8H, EU

Pos	Part	Q1	Q2	Q3	Q4	Q5	PS	Kit	Description	Option(s)	Remark
1	VOE21721539	1							Cover		
2	VOE21713747	2							Hexagon screw		
3	VOE20549890	2							Washer		
4	VOE20405716	1							Plug		
5	VOE13947621	1							Plane gasket		
6	VOE24426064	1							Cover		
7	VOE20412359	1							Sealing ring		
8	VOE888289	2							Hexagon screw		
9	VOE13947281	1							Gasket		

10	VOE20441859	1						Plug		
----	-------------	---	--	--	--	--	--	------	--	--

Date: 2014/1/6	Image id: 1059618	Catalogue: 20612	Model: EC300D L
Brand: Volvo	Serial: 210001-	Group/Section: 216/100	Title: Crankshaft and related parts 8289045, 8289682



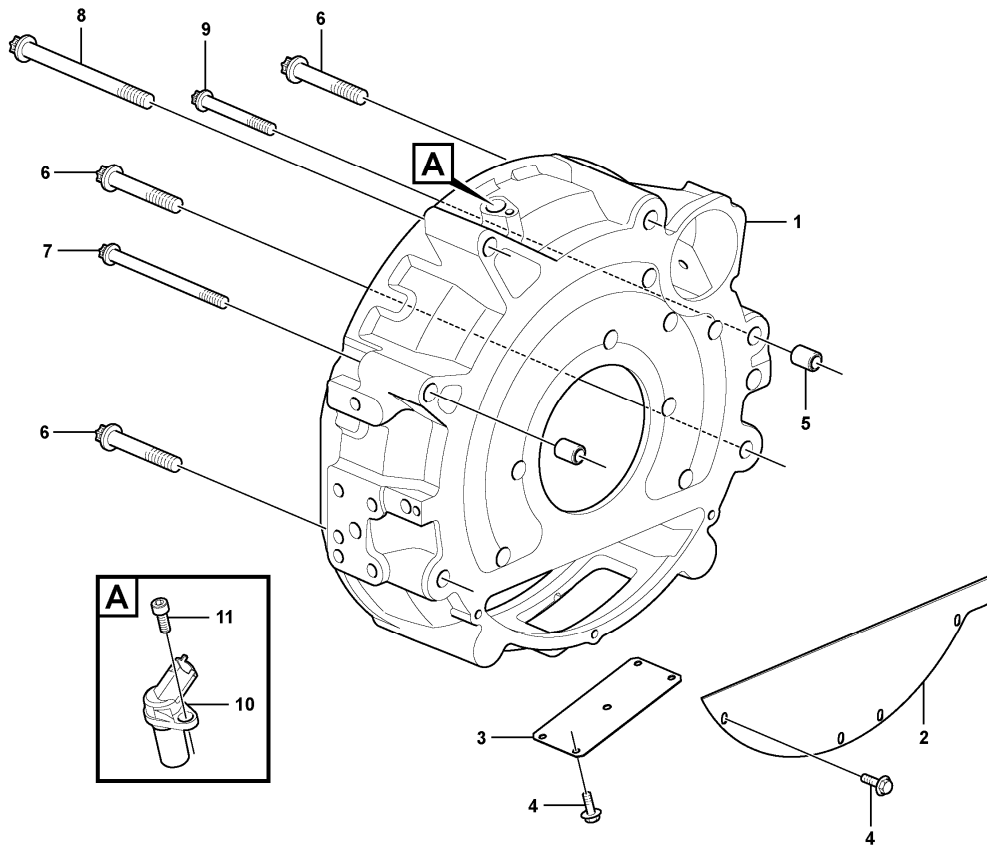
Volvo Construction
Equipment
1059618

Section option	Kit	Option description
VOE15083725		Engine D8H, US
VOE15165693		Engine D8H, EU
VOE8289045		Engine Installation D8H, US
VOE8289682		Engine Installation D8H, EU

Pos	Part	Q1	Q2	Q3	Q4	Q5	PS	Kit	Description	Option(s)	Remark
1	VOE21688599	1							Crankshaft		
2	VOE20945114	7							Bearing		STD
2	VOE21661184	REQ							Main bearing		O SZ = 84,75 mm
2	VOE21661186	REQ							Main bearing		O SZ = 84,50 mm
3	VOE21141955	1							Raceway washer		
3	VOE21141963	REQ							Raceway washer		
4	VOE21506256	6							Connecting rod		
5	VOE21506250	6							•Bearing		
6	VOE11700326	12							•Bolt		

7	VOE21688936	6							Big-end bearing shell		STD
7	VOE21739994	REQ							Bearing		U SZ = 0,25
7	VOE21740000	REQ							Bearing		U SZ = 0,50
8	VOE21722027	1							Flywheel		
9	VOE21033328	1							•Gear Ring		
10	VOE20799584	1							Spring pin		
11	VOE21462604	10							Screw		
12	VOE21723180	1							Vibration damper		
13	VOE20405634	1							Spring pin		
14	VOE21462640	6							Six point socket screw		
15	VOE20757217	1							Pulley		
16	VOE20554683	6							Screw		
17	VOE20860794	1					NS		Gear		
18	VOE20898072	1					NS		Gear		
19	VOE21713373	1					NS		Flange		
20	VOE21510857	10					NS		Insert		

Date: 2014/1/6	Image id: 1059562	Catalogue: 20612	Model: EC300D L
Brand: Volvo	Serial: 210001-	Group/Section: 216/200	Title: Flywheel housing 8289045, 8289682



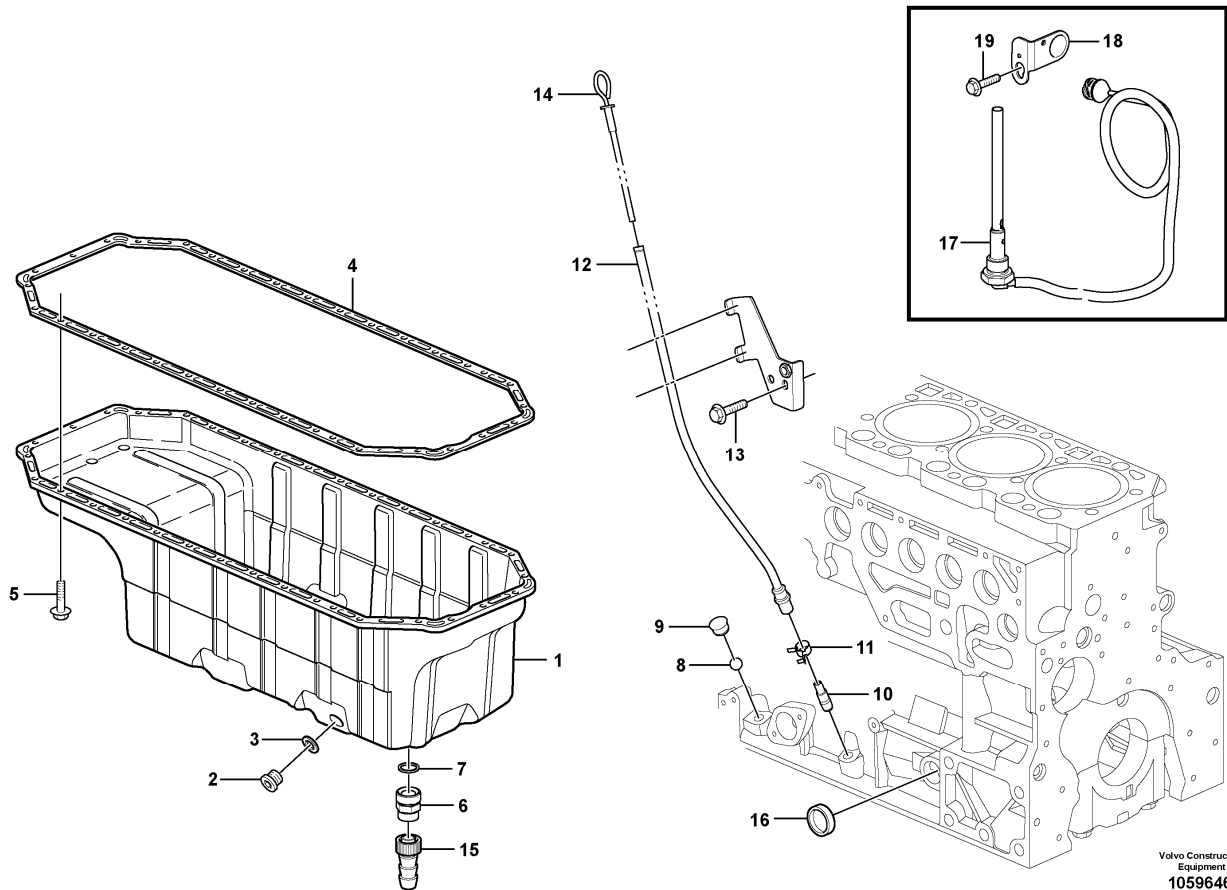
Volvo Construction
Equipment
1059562

Section option	Kit	Option description
VOE15083725		Engine D8H, US
VOE15165693		Engine D8H, EU
VOE8289045		Engine Installation D8H, US
VOE8289682		Engine Installation D8H, EU

Pos	Part	Q1	Q2	Q3	Q4	Q5	PS	Kit	Description	Option(s)	Remark
1	VOE21761808	1							Flywheel housing		
2	VOE20459989	1							Cover		
3	VOE20702041	1					NS		Cover Plate		
4	VOE20405729	7							Screw		
5	VOE3586534	2							Bushing		
6		3					NS		Screw		
7	VOE20405714	1							Screw		
8	VOE20405715	1							Screw		
9	VOE20460792	1							Screw		

10	VOE20513343	1						Sensor		SE2701
11	VOE20450694	1						Screw		

Date: 2014/1/6	Image id: 1059646	Catalogue: 20612	Model: EC300D L
Brand: Volvo	Serial: 210001-	Group/Section: 217/100	Title: Oil sump 8289045, 8289682

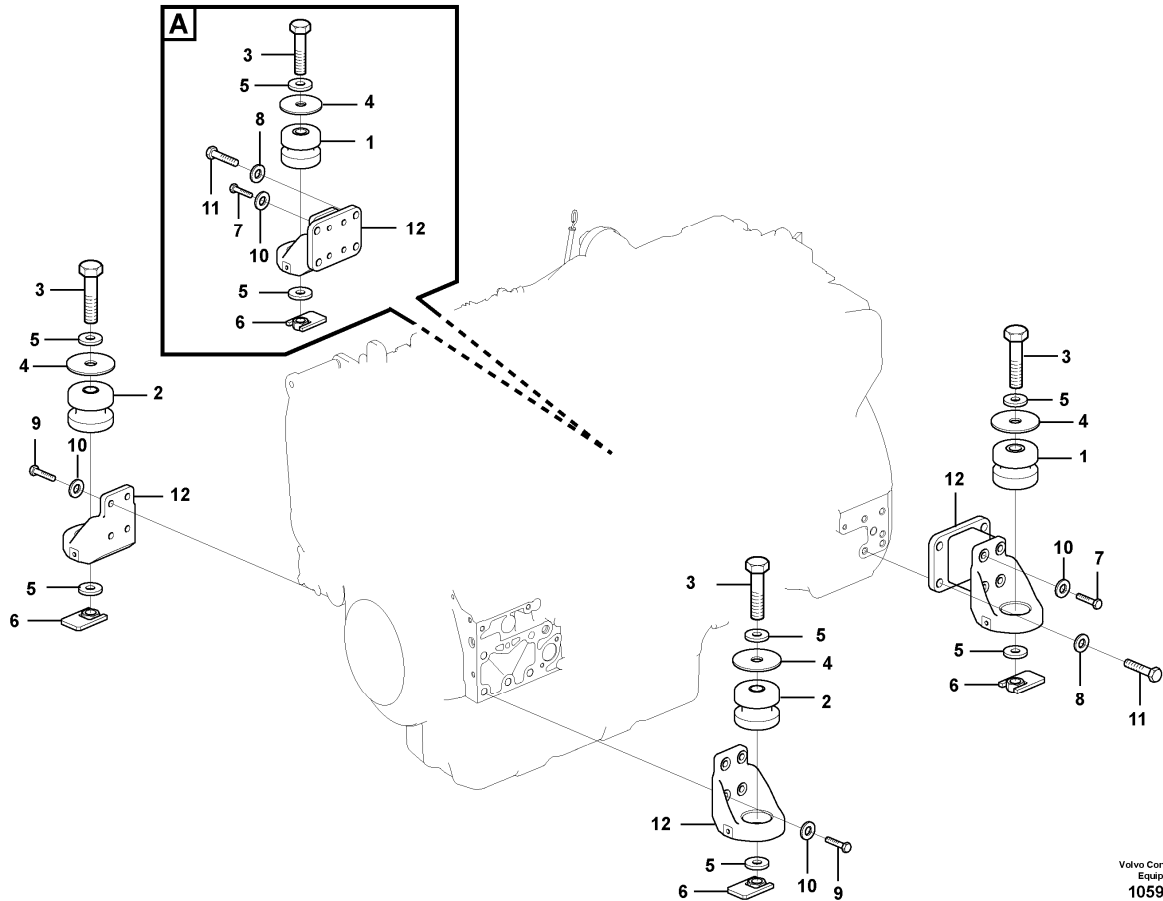


Section option	Kit	Option description
VOE15083725		Engine D8H, US
VOE15165693		Engine D8H, EU
VOE8289045		Engine Installation D8H, US
VOE8289682		Engine Installation D8H, EU

Pos	Part	Q1	Q2	Q3	Q4	Q5	PS	Kit	Description	Option(s)	Remark
1	VOE21646771	1							Oil pan		
2	VOE20460024	2							Plug		
3	VOE993680	2							Gasket		
4	VOE20405915	1							Gasket		
5	VOE20405792	34							Screw		
6	VOE20450851	1							Drain valve		
7	VOE993679	1							Gasket		
8	VOE3586662	2							Ball		
9	VOE21349017	2					NS		Plug		

10	VOE21531738	1							Guide tube		
11	VOE21140890	1							Hose clamp		
12	VOE21724890	1					NS		Tube		
13	VOE20405885	1							Screw		
14	VOE21184833	1							Dipstick		
14	VOE21665788	1					NS		•		
15	VOE20478246	1							Hose		
16	VOE20799589	1					NS		Cap Plug		
17	VOE21391695	1							Level sensor		
18	VOE20852241	1							Anchorage		
19	VOE20405792	1							Screw		

Date: 2014/1/6	Image id: 1059448	Catalogue: 20612	Model: EC300D L
Brand: Volvo	Serial: 210001-	Group/Section: 218/100	Title: Engine mounting

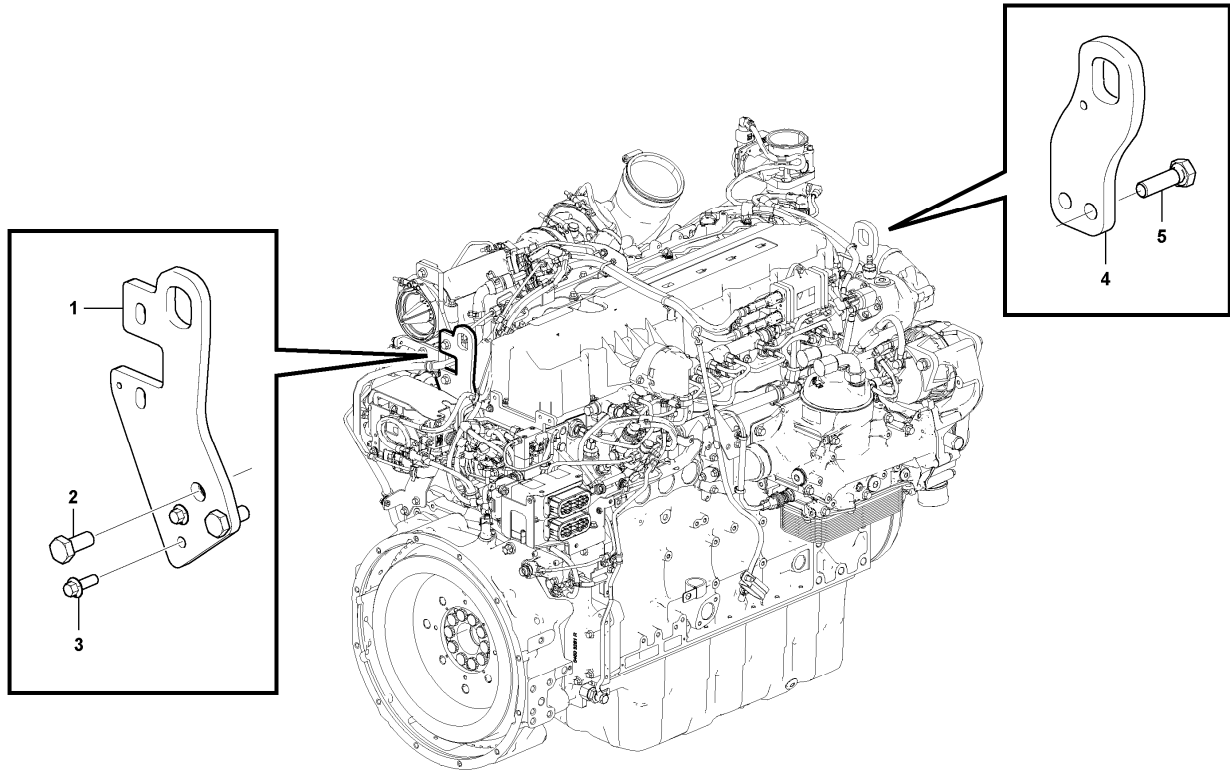


Volvo Construction
Equipment
1059448

Section option	Kit	Option description
VOE8289044		Basic Machine EC300D

Pos	Part	Q1	Q2	Q3	Q4	Q5	PS	Kit	Description	Option(s)	Remark
1	VOE14526154	2							Cushion		
2	VOE14528381	2							Cushion		
3	VOE992992	4							Screw		
4	VOE14526169	4							Plate		
5	VOE992059	8							Plain washer		
6	VOE14512933	4							Nut		
7	VOE978934	8							Hexagon screw		
8	VOE992045	8							Plain washer		
9	VOE978932	8							Hexagon screw		
10	VOE992042	16							Plain washer		
11	VOE993051	8							Hexagon screw		
12	VOE14578737	4							Bracket		

Date: 2014/1/6	Image id: 1062179	Catalogue: 20612	Model: EC300D L
Brand: Volvo	Serial: 210001-	Group/Section: 218/200	Title: Engine mounting 8289045, 8289682

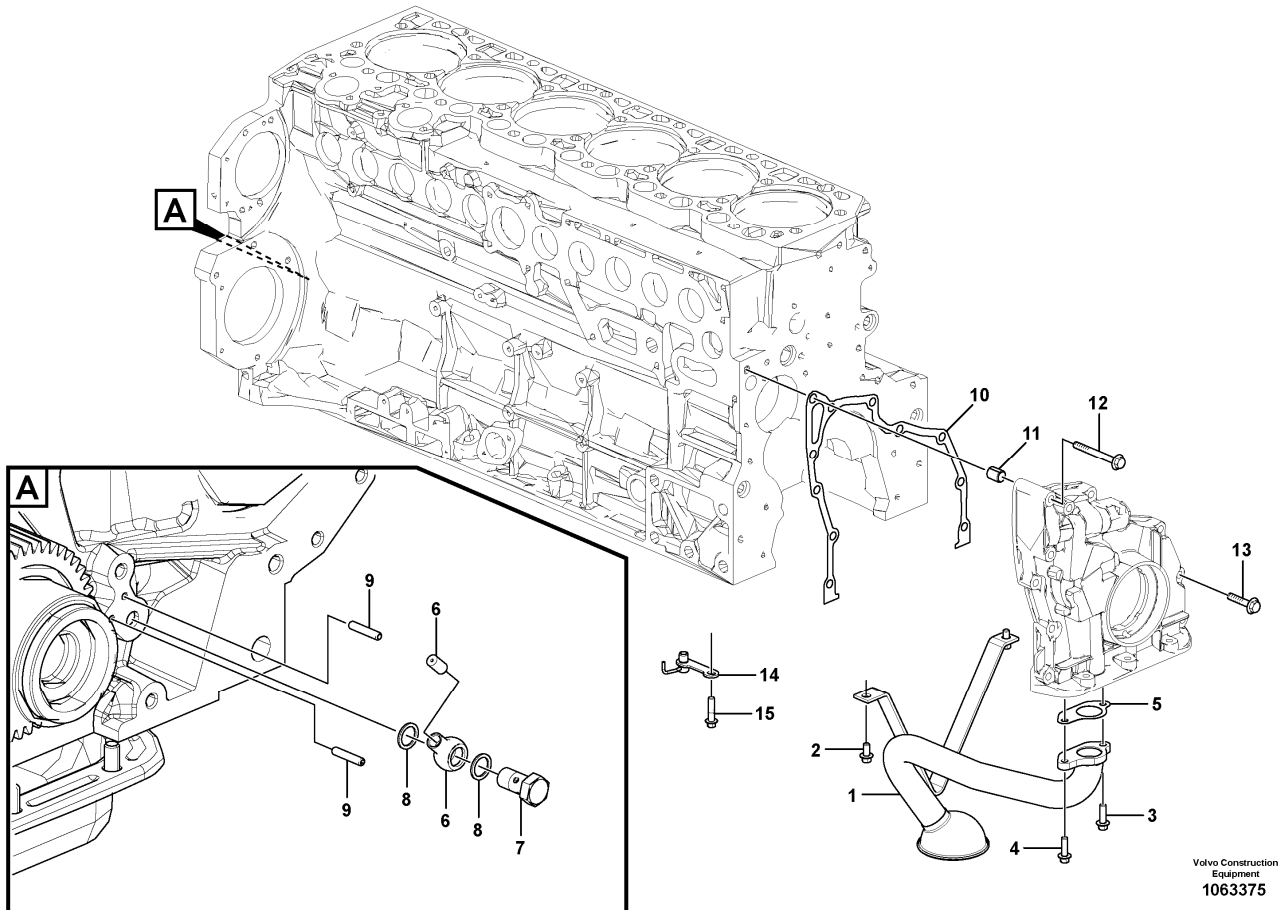


Volvo Construction
Equipment
1062179

Section option	Kit	Option description
VOE15083725		Engine D8H, US
VOE15165693		Engine D8H, EU
VOE8289045		Engine Installation D8H, US
VOE8289682		Engine Installation D8H, EU

Pos	Part	Q1	Q2	Q3	Q4	Q5	PS	Kit	Description	Option(s)	Remark
1	VOE21754286	1					NS		Bracket		
2	VOE995909	2							Hexagon screw		
3	VOE20797217	2							Flange screw		
4	VOE21724244	1					NS		Lifting eye		
5	VOE20551469	2					NS		Hexagon screw		

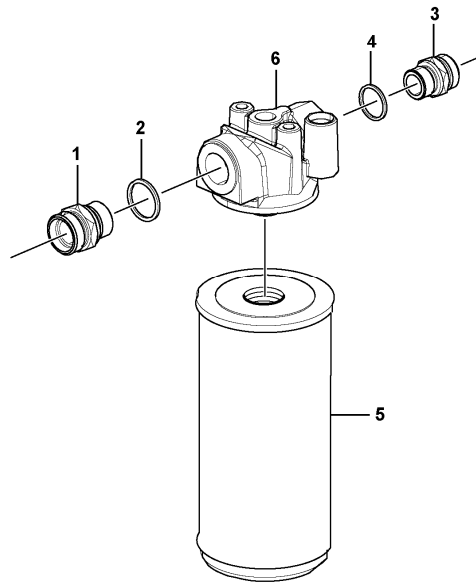
Date: 2014/1/6	Image id: 1063375	Catalogue: 20612	Model: EC300D L
Brand: Volvo	Serial: 210001-	Group/Section: 221/100	Title: Lubricating oil system 8289045, 8289682



Section option	Kit	Option description
VOE15083725		Engine D8H, US
VOE15165693		Engine D8H, EU
VOE8289045		Engine Installation D8H, US
VOE8289682		Engine Installation D8H, EU

Pos	Part	Q1	Q2	Q3	Q4	Q5	PS	Kit	Description	Option(s)	Remark
1	21664641	1					NS		Oil Strainer		
2	VOE20405792	2							Screw		
3	VOE20405672	1							Screw		
4	VOE13949578	1							Screw		
5	VOE20779655	1							Gasket		
6	VOE20928174	1							Nozzle		
7	VOE20460289	1							Hollow screw		
8	VOE13947281	2							Gasket		
9	VOE951955	2							Spring pin		

Date: 2014/1/6	Image id: 1062259	Catalogue: 20612	Model: EC300D L
Brand: Volvo	Serial: 210001-	Group/Section: 222/100	Title: Oil filter 8289045, 8289682

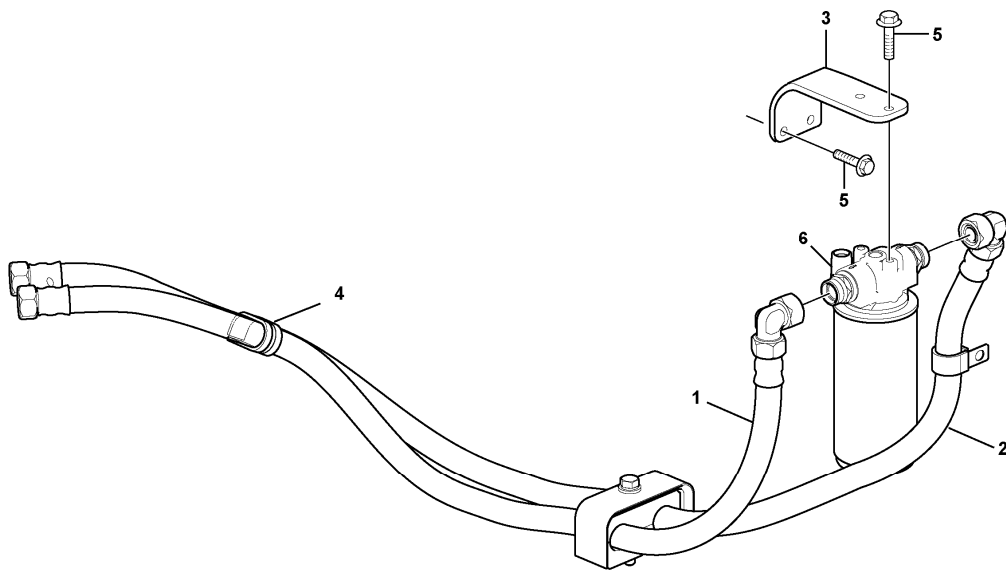


Volvo Construction
Equipment
1062259

Section option	Kit	Option description
VOE15083725		Engine D8H, US
VOE15165693		Engine D8H, EU
VOE8289045		Engine Installation D8H, US
VOE8289682		Engine Installation D8H, EU

Pos	Part	Q1	Q2	Q3	Q4	Q5	PS	Kit	Description	Option(s)	Remark
1	VOE21317448	1							Socket		
2	VOE994064	1							Gasket		
3	VOE21317494	1							Socket		
4	VOE993407	1							Gasket		
5	VOE3831236	1							Oil filter		
6	VOE21317453	1							Filter		

Date: 2014/1/6	Image id: 1062605	Catalogue: 20612	Model: EC300D L
Brand: Volvo	Serial: 210001-	Group/Section: 222/200	Title: Oil filter with fitting parts 8289045, 8289682

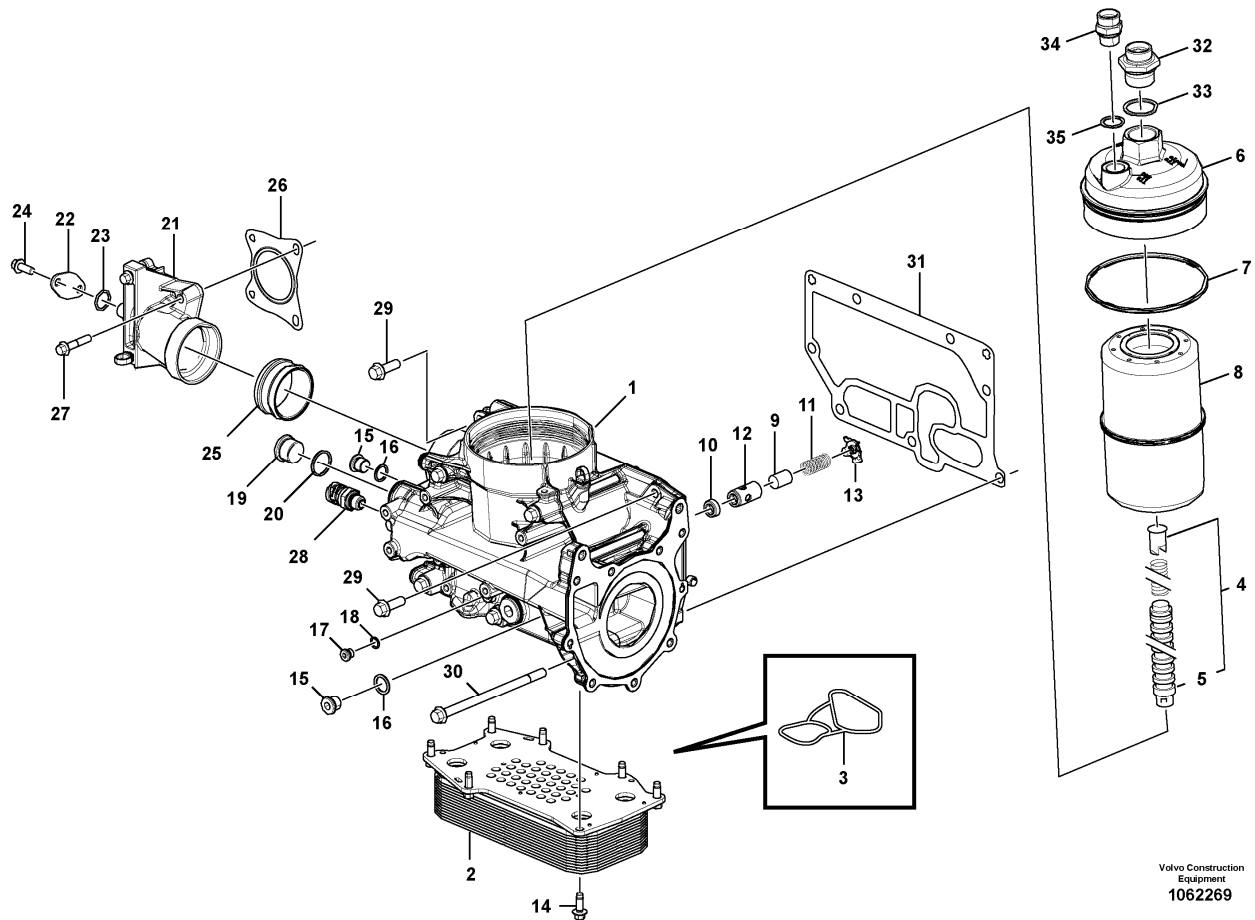


Volvo Construction
Equipment
1062605

Section option	Kit	Option description
VOE8289045		Engine Installation D8H, US
VOE8289682		Engine Installation D8H, EU

Pos	Part	Q1	Q2	Q3	Q4	Q5	PS	Kit	Description	Option(s)	Remark
1	VOE14607646	1							Hose		
2	VOE14606980	1							Hose		
3	VOE14606691	1					NS		Bracket		
4	VOE14507451	1							Clip		
5	VOE946441	4							Flange screw		
6		1							Oil filter		See ref 222/100

Date: 2014/1/6	Image id: 1062269	Catalogue: 20612	Model: EC300D L
Brand: Volvo	Serial: 210001-	Group/Section: 223/100	Title: Oil cooler 8289045, 8289682



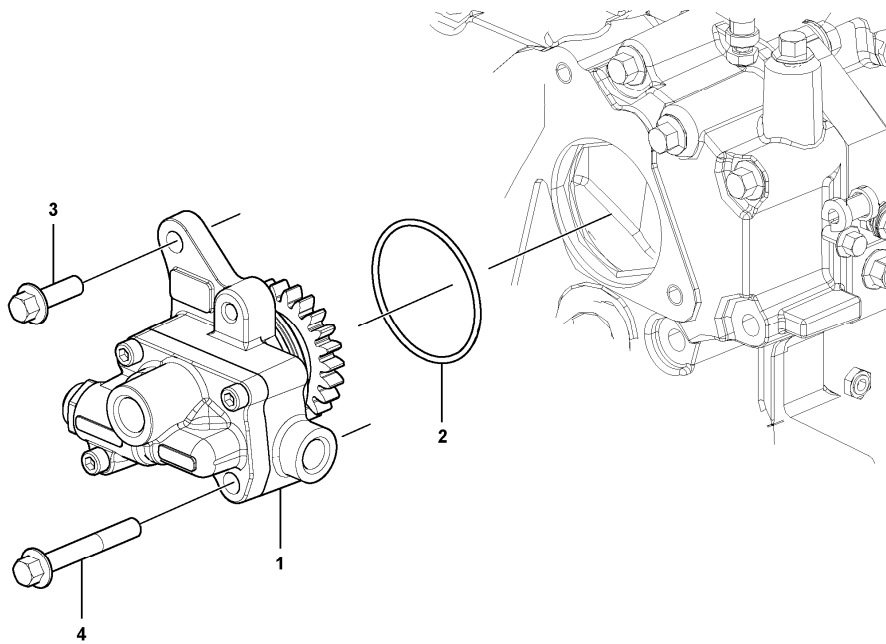
Volvo Construction
Equipment
1062269

Section option	Kit	Option description
VOE15083725		Engine D8H, US
VOE15165693		Engine D8H, EU
VOE8289045		Engine Installation D8H, US
VOE8289682		Engine Installation D8H, EU

Pos	Part	Q1	Q2	Q3	Q4	Q5	PS	Kit	Description	Option(s)	Remark
1	VOE21004191	1							Oil cooler		
2	VOE20794112	1					NS		•Oil cooler		
3	VOE20459202	2							•Gasket		
4	VOE21664409	1							•Support		
5	VOE20793400	1							••Support		
6	VOE21665264	1					NS		•Oil Filter		
7	VOE21003838	1							••O-ring		
8	VOE21665266	1					NS		••Filter		
9	VOE20862028	1							•Control plunger		

10	VOE20862336	1							•Bolt		
11	VOE20860334	1							•Spring		
12	VOE20860343	1							•Sleeve		
13	VOE20860349	1							•Lock washer		
14	VOE20405885	7							•Screw		
15	VOE20502245	2							Screw plug		
16	VOE993436	2							Gasket		
17	VOE20795923	1							Plug		
18	VOE993358	1							Gasket		
19	VOE20459195	1							Plug		
20	VOE993407	1							Gasket		
21	VOE21073059	1					NS		Coolant pipe		
22	VOE21072778	1							•Flange		
23	VOE20405599	1							•Sealing ring		
24	VOE20405792	1							•Screw		
25	VOE21364512	1							•Plug		
26	VOE21043750	1							Gasket		
27	VOE20405884	4							Screw		
28	VOE20898038	1							Pressure sensor		SE2203
29	VOE20755314	2							Screw		
30	VOE20797054	7							Hexagon screw		
31	VOE20793728	1							Gasket		
32	VOE21665274	1					NS		Nipple		
33	VOE21665284	1					NS		Sealing ring		
34	VOE21665282	1					NS		Nipple		
35	VOE20460026	1							Sealing ring		

Date: 2014/1/6	Image id: 1062332	Catalogue: 20612	Model: EC300D L
Brand: Volvo	Serial: 210001-	Group/Section: 233/100	Title: Fuel pump 8289045, 8289682

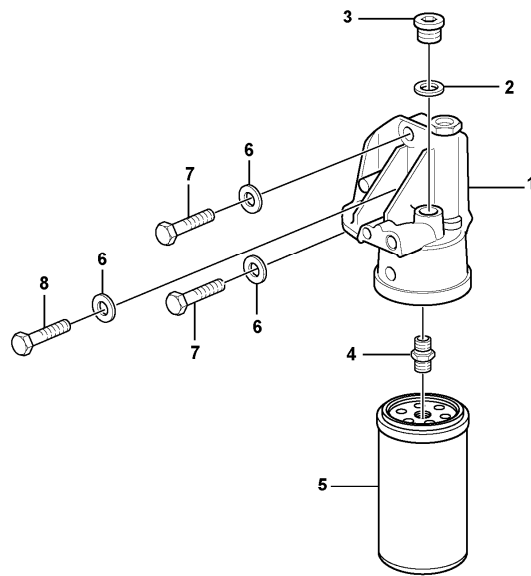


Volvo Construction
Equipment
1062332

Section option	Kit	Option description
VOE15083725		Engine D8H, US
VOE15165693		Engine D8H, EU
VOE8289045		Engine Installation D8H, US
VOE8289682		Engine Installation D8H, EU

Pos	Part	Q1	Q2	Q3	Q4	Q5	PS	Kit	Description	Option(s)	Remark
1	VOE21683947	1							Fuel pump		
2	VOE20834438	1							O-ring		
3	VOE13949578	1							Screw		
4	VOE20405709	1							Screw		

Date: 2014/1/6	Image id: 1062613	Catalogue: 20612	Model: EC300D L
Brand: Volvo	Serial: 210001-	Group/Section: 233/200	Title: Fuel filter 8289045, 8289682

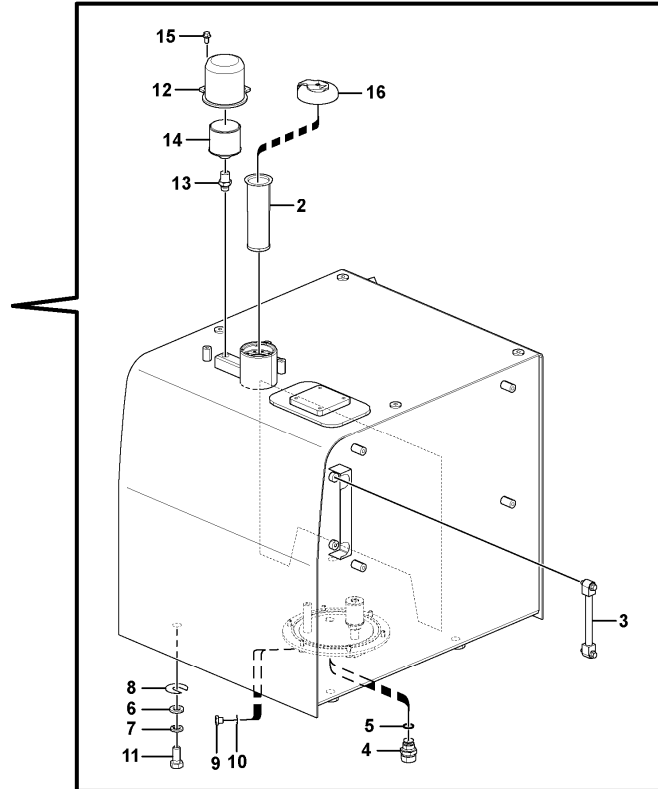
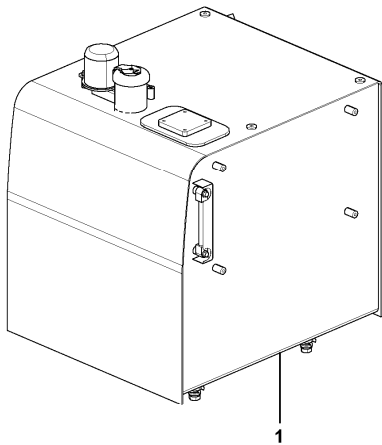


Volvo Construction
Equipment
1062613

Section option	Kit	Option description
VOE15083725		Engine D8H, US
VOE15165693		Engine D8H, EU
VOE8289045		Engine Installation D8H, US
VOE8289682		Engine Installation D8H, EU

Pos	Part	Q1	Q2	Q3	Q4	Q5	PS	Kit	Description	Option(s)	Remark
1	VOE20914974	1							Filter Retainer		
2	VOE20847074	1							O-ring		
3	VOE20847158	1							Plug		
4	VOE20818370	1							Screw Bushing		
5	VOE20805349	1							Fuel Filter		
6	VOE993835	3							Washer		
7	VOE983245	2							Hexagon screw		
8	VOE983247	1							Hexagon screw		

Date: 2014/1/6	Image id: 1060752	Catalogue: 20612	Model: EC300D L
Brand: Volvo	Serial: 210001-	Group/Section: 234/100	Title: Fuel tank with fitting parts



Volvo Construction
Equipment
1060752

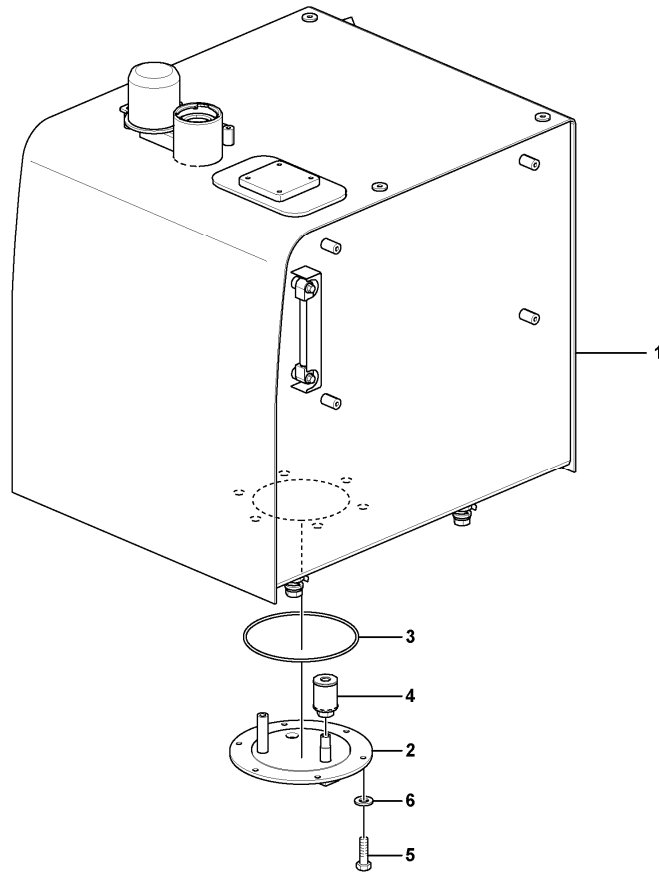
Section option	Kit	Option description
VOE8277153		Specific Key. Combination
VOE8277154		Master Key
VOE8289044		Basic Machine EC300D

Q1-Q5	Option	Option description	
Q1 8289044	VOE8289044	Basic Machine EC300D	
Q2 8277153	VOE8277153	Specific Key. Combination	
Q3 8277154	VOE8277154	Master Key	

Pos	Part	Q1	Q2	Q3	Q4	Q5	PS	Kit	Description	Option(s)	Remark
1		1							Fuel tank		See ref 234/150
2	VOE14537348	1							Filter		
3	VOE14539978	1							Gauge		
4	VOE14521728	1							Valve		
5	VOE949329	1							Gasket		

6	VOE992047	4							Plain washer		
7	SA9213-20000	4							Spring Washer		
8	VOE14881065	4							Shim		
9	VOE960631	1							Plug		
10	VOE13947622	1							Plane gasket		
11	VOE991647	4							Screw		
12	VOE14529947	1							Cover		
13	VOE14537347	1							Connector		
14	VOE11172907	1							Air filter		
15	VOE946441	2							Flange screw		
16	VOE14626785		1						Cap		
16	VOE14626786			1					Cap		

Date: 2014/1/6	Image id: 1056982	Catalogue: 20612	Model: EC300D L
Brand: Volvo	Serial: 210001-	Group/Section: 234/150	Title: Fuel tank

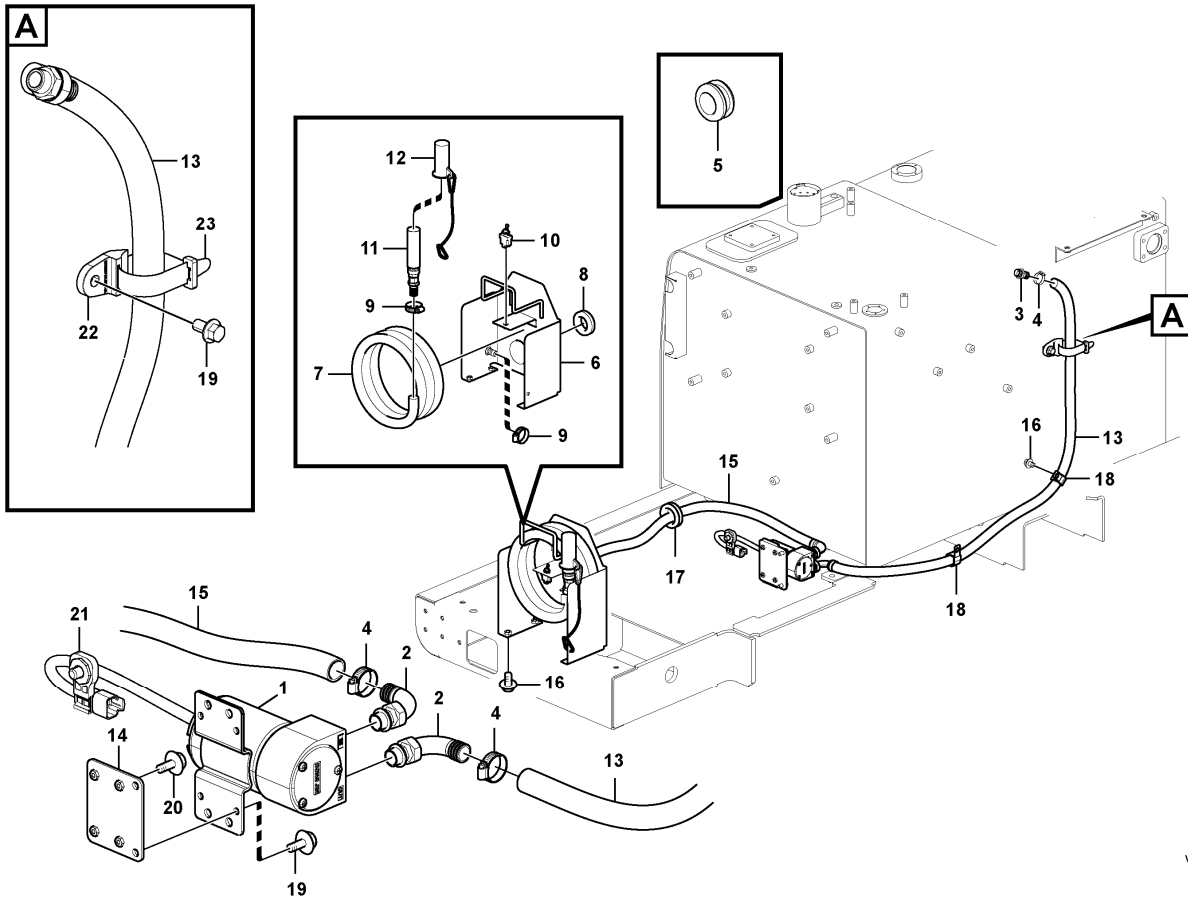


Volvo Construction
Equipment
1056982

Section option	Kit	Option description
VOE8289044		Basic Machine EC300D

Pos	Part	Q1	Q2	Q3	Q4	Q5	PS	Kit	Description	Option(s)	Remark
1	VOE14606766	1					NS		Tank		
2	VOE14539711	1							•Cover		
3	VOE960259	1							•O-ring		
4	VOE14532260	1							•Strainer		
5	VOE983251	6							•Hexagon screw		
6	VOE992040	6							•Plain washer		

Date: 2014/1/6	Image id: 1059554	Catalogue: 20612	Model: EC300D L
Brand: Volvo	Serial: 210001-	Group/Section: 234/200	Title: Fuel filling pump with assembling details



Volvo Construction
Equipment
1059554

Section option	Kit	Option description
VOE8289054		Fuel filling pump

Q1-Q5	Option	Option description	
Q1 8289054	VOE8289054	Fuel filling pump	

Pos	Part	Q1	Q2	Q3	Q4	Q5	PS	Kit	Description	Option(s)	Remark
1	VOE14591830	1							Fuel Fill Pump		MO2302
2	VOE14517748	2							Adapter		
3	VOE14517747	1							Adapter		
4	VOE14517754	3							Clip		
5	VOE14529351	1							Grommet		
6	VOE14539457	1							Bracket		
7	VOE14539109	1							Hose		
8	VOE14529352	1							Grommet		
9	VOE14517754	2							Clip		

Thank you so much for reading.
Please click the “Buy Now!”
button below to download the
complete manual.



After you pay.

You can download the most
perfect and complete manual in
the world immediately.

Our support email:

ebooklibonline@outlook.com