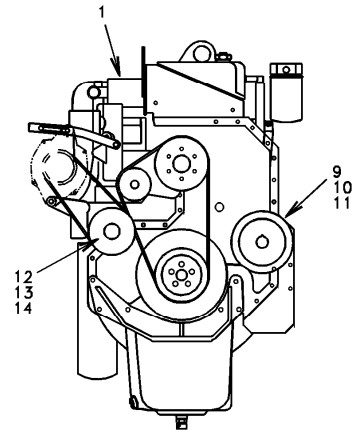
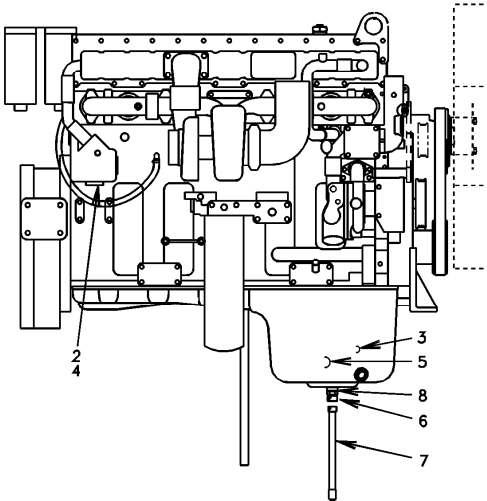
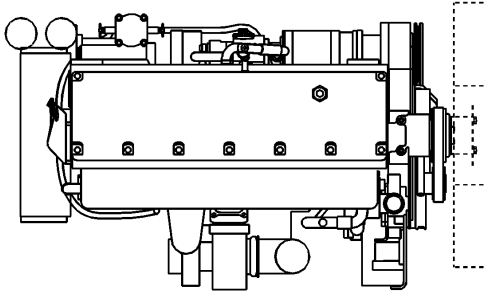


Date: 2014/1/12	Image id: SE101	Catalogue: 56122	Model: EC360
Brand: Volvo	Serial: 3001-9999	Group/Section: 210/100	Title: Engine



Volvo Construction
Equipment Group
SE101

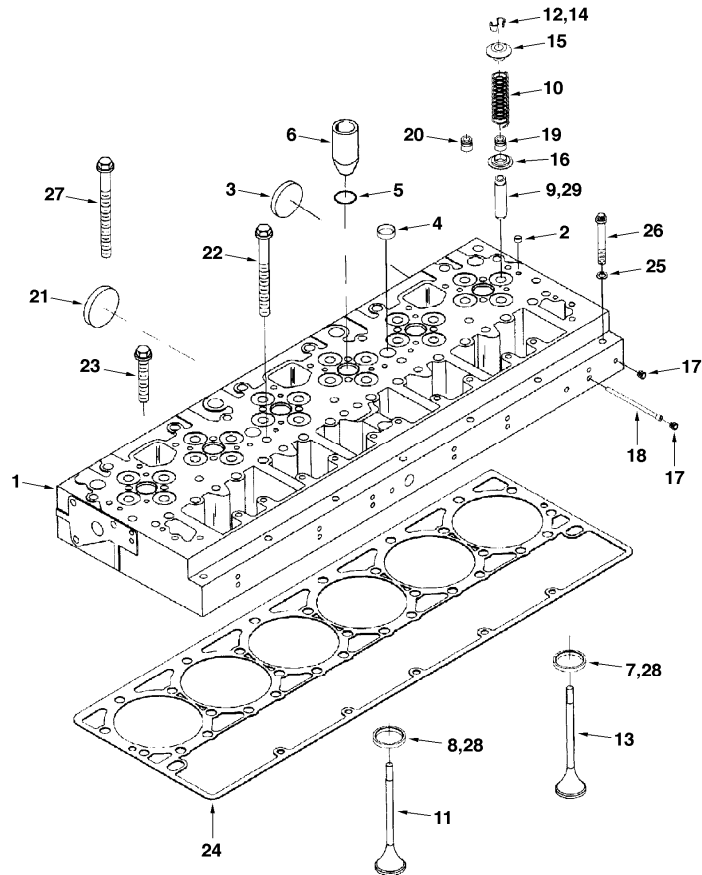
Section option	Kit	Option description
SADH04B001		Air heater for engine
SADH04B002		Without air pre-heater for engine
SADH04C001		Engine block heater 120V
SADH04C002		Engine block heater 240V

Q1-Q5	Option	Option description	
Q1	DH04B001		
Q2	DH04B002		
Q3	DH04C001		
Q4	DH04C002		

Pos	Part	Q1	Q2	Q3	Q4	Q5	PS	Kit	Description	Option(s)	Remark
1	SA1111-00781	1							Engine		STANDARD
	SA1111-00831		1						Engine		TROPICAL
2	SA2011-00530				1				Heater		240V

3	SA2011-00470				1				Heater		240V
4	SA2011-00540			1					Heater		120V
5	SA2011-00480			1					Heater		120V
6	SA1012-01620	1	1						Valve		
7	SA1012-01510	1	1						Adapter		
8	VOE13947628	1	1						Plane gasket		(SA9426-20100)
9	SA3046203	1	1						Pulley		
10	SA3818229	1	1						Hexagon screw		
11	SA3818463	1	1						Washer		
12	SA3883324	1	1						Pulley		
13	SA3018671	1	1						Bolt		
14	SA3041247	1	1						Washer		

Date: 2014/1/12	Image id: SE102	Catalogue: 56122	Model: EC360
Brand: Volvo	Serial: 3001-9999	Group/Section: 211/100	Title: Cylinder head



Volvo Construction
Equipment Group
SE102

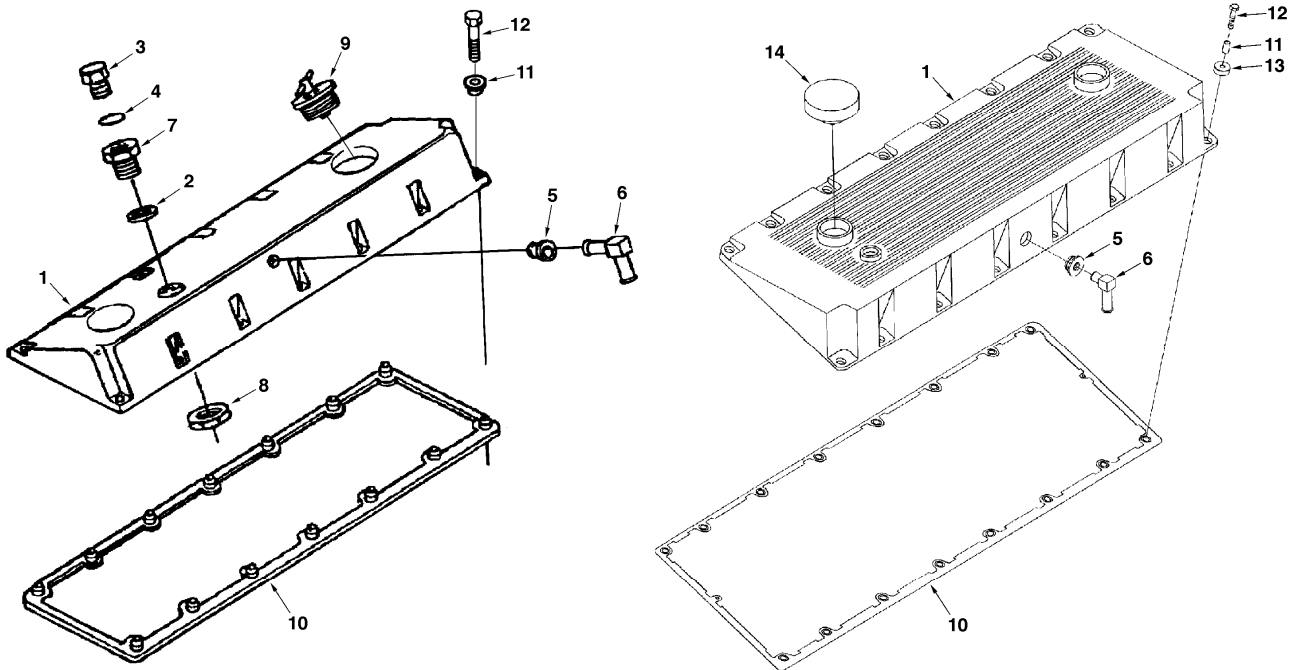
Section option	Kit	Option description
SADH04B001		Air heater for engine
SADH04B002		Without air pre-heater for engine

Q1-Q5	Option	Option description
Q1 DH04B001		
Q2 DH04B002		

Pos	Part	Q1	Q2	Q3	Q4	Q5	PS	Kit	Description	Option(s)	Remark
1	SA3084650	1							Cylinder head		
	SA4952844		1						Cylinder head		(SA4003980)
2	SA3007632	2	2						•Plug		
3	SA206741	2	2						•Plug		
4	SA3007635	8	8						•Plug		
5	SA3007759	6	6						•Seal		
6	SA3070486	6	6						•Sleeve		

7	SA3028070	12	12						•Seat		OUTLET
8	SA3820180	12	12						•Seat		INLET
9	SA3328785	24	24						•Guide_valve Ste		(SA3073512)
10	SA3895860	24	24						•Spring		
11	SA3803310	12	12						•Valve		
12	SA3275354	24	24						••Collet		
13	SA3800639	12							•Outlet Valve		(SA3803730)
	SA3800639		12						•Outlet Valve		
14	SA3275354	24	24						••Collet		
15	SA3883512	24	24						•Retainer		
16	SA3070072	24	24						•Guide		
17	SA3008465	16	16						•Plug		
18	SA3820749	6	6						•Insert		
19	SA3073509	12	12						•Seal		INLET
20	SA3328781	12	12						•Seal		OUTLET
21	SA3895479	2	2						•Plug		
22	SA3045850	29	29						Bolt		
23	SA3161515	3	3						Bolt		
24	SA3328925	1	1				SS		Gasket		
25	SA3328328	7	7						Washer		
26	SA3328637	5	5						Bolt		
27	SA3328379	2	2						Bolt		
28	SA3028071	REQ	REQ						Seat		0.25MM O SZ
	SA3028072	REQ	REQ						Seat		0.50MM O SZ
	SA3028073	REQ	REQ				NS		Seat		0.75MM O SZ
	SA3028074	REQ	REQ				NS		Seat		1.00MM O SZ
29	SA3074118	REQ	REQ						Guide		0.20MM O SZ

Date: 2014/1/12	Image id: SE103	Catalogue: 56122	Model: EC360
Brand: Volvo	Serial: 3001-9999	Group/Section: 211/200	Title: Valve cover



Volvo Construction
Equipment Group
SE103

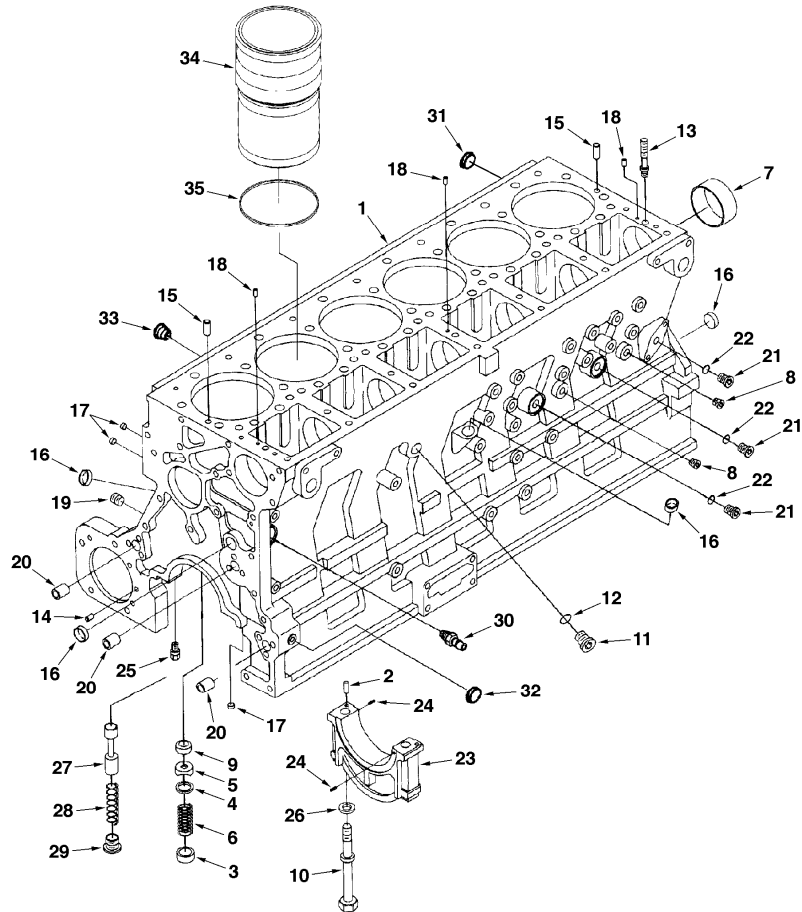
Section option	Kit	Option description
SADH04B001		Air heater for engine
SADH04B002		Without air pre-heater for engine

Q1-Q5	Option	Option description
Q1 DH04B001		
Q2 DH04B002		

Pos	Part	Q1	Q2	Q3	Q4	Q5	PS	Kit	Description	Option(s)	Remark
1	SA3401302	1							Cover		(SA3328412) STANDARD
	SA3401308		1						Cover		TROPICAL
2	SA3035228		1						•O-ring		
3	SA3040995		1						•Plug		
	SA3040809		1				SS		••Plug		
4	SA3037537		1						••O-ring		

5	SA3042401	1	1						Seal		
6	SA3047134	1	1						Pipe		
7	SA3818150		1						•Adapter		
8	SA3818151		1						•Connecting Rod		
9	SA3029173		1						•Filler cap		
10	SA3883221	1					SS		Gasket		
	SA3883220		1						Gasket		
11	SA3883223	16	16						Insulator		
12	SA3335042	16	16						Screw		
13	SA3883222	16					OP		Spacer		
14	SA3029173	1							Filler cap		

Date: 2014/1/12	Image id: SE104	Catalogue: 56122	Model: EC360
Brand: Volvo	Serial: 3001-9999	Group/Section: 212/100	Title: Cylinder block



Volvo Construction
Equipment Group
SE104

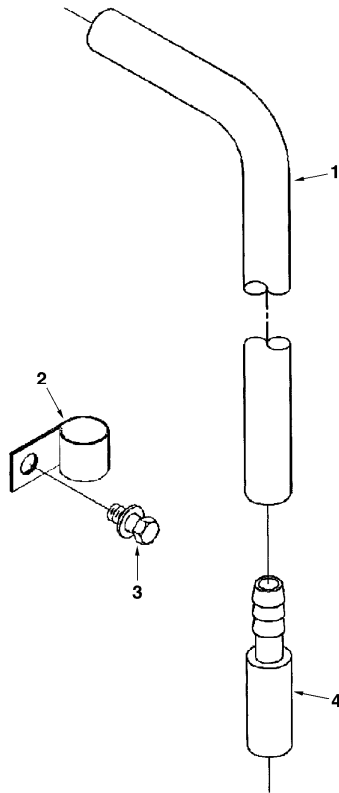
Section option	Kit	Option description
SADH04B001		Air heater for engine
SADH04B002		Without air pre-heater for engine

Q1-Q5	Option	Option description	
Q1 DH04B001			
Q2 DH04B002			

Pos	Part	Q1	Q2	Q3	Q4	Q5	PS	Kit	Description	Option(s)	Remark
1	SA3803717	1							Cylinder Block		
	SA3803324		1				NS		Cylinder Block		
2	SA148555	2	2						•Locating pin		NO.4 ONLY
3	SA179063	1	1						•Plug		
4	SA3014754	1	1						•Washer		
5	SA3014755	1	1						•Card		
6	SA3014756	1	1						•Spring		

7	SA3820566	7	7						•Bushing		
8	SA3008466	2	2						•Plug		1/4 NPT
9	SA3026758	1	1						•Seat		
10	SA3328742	14	14						•Screw		
11	SA3046202	1	1						•Plug		
	SA3040810	1	1				SS		••Plug		
12	SA3046201	1	1						••O-ring		
13	SA3895832	7							•Stud		M10 X 1.5
	SA3031921		7						•Stud		
14	SA70550	1	1						•Locating pin		5/16 X 1/2 IN
15	SA142207	2	2						•Locating pin		7/16 X 1 IN
16	SA3007635	4	4						•Plug		1.00 IN
17	SA3007632	9	8						•Plug		0.387MM ID
18	SA3008446	3	3						•Locating pin		6.0 X 12MM
19	SA3008468	1	1						•Tube plug		1/2 NPT
20	SA3026231	3	3						•Ring		19.23MM
21	SA3037536	4	4						•Plug		9/16-18 IN
	SA3040813	1	1				SS		••Plug		
22	SA3037537	1	1						•O-ring		
23	SA3026961	6	6						•Cap		NO.1,2,3,5,6,7
	SA3801279	1	1				SS		•Cap		NO.4 ONLY
	SA3027490	1	1				SS		••Cap		NO.4 ONLY
24	SA3028252	2	2						••Pin		
25	SA3069728	1	1						•Sensor		
26	SA3019631	14	14						•Washer		
27	SA3068979	1	1						•Plunger		
28	SA3010146	1	1						•Spring		
29	SA3821725	1	1						•Plug		
30	SA3042619	1	1						Nipple		
31	SA3007635	4	4						Plug		1.00 IN
32	SA3007632	9	9						Plug		0.387MM ID
33	SA3008468	1	1						Tube plug		1/2 NPT
34	SA3803703	6	6						Cylinder liner kit		
35	SA3047188	1	1						•Seal		

Date: 2014/1/12	Image id: SE105	Catalogue: 56122	Model: EC360
Brand: Volvo	Serial: 3001-9999	Group/Section: 212/200	Title: Crankcase ventilation



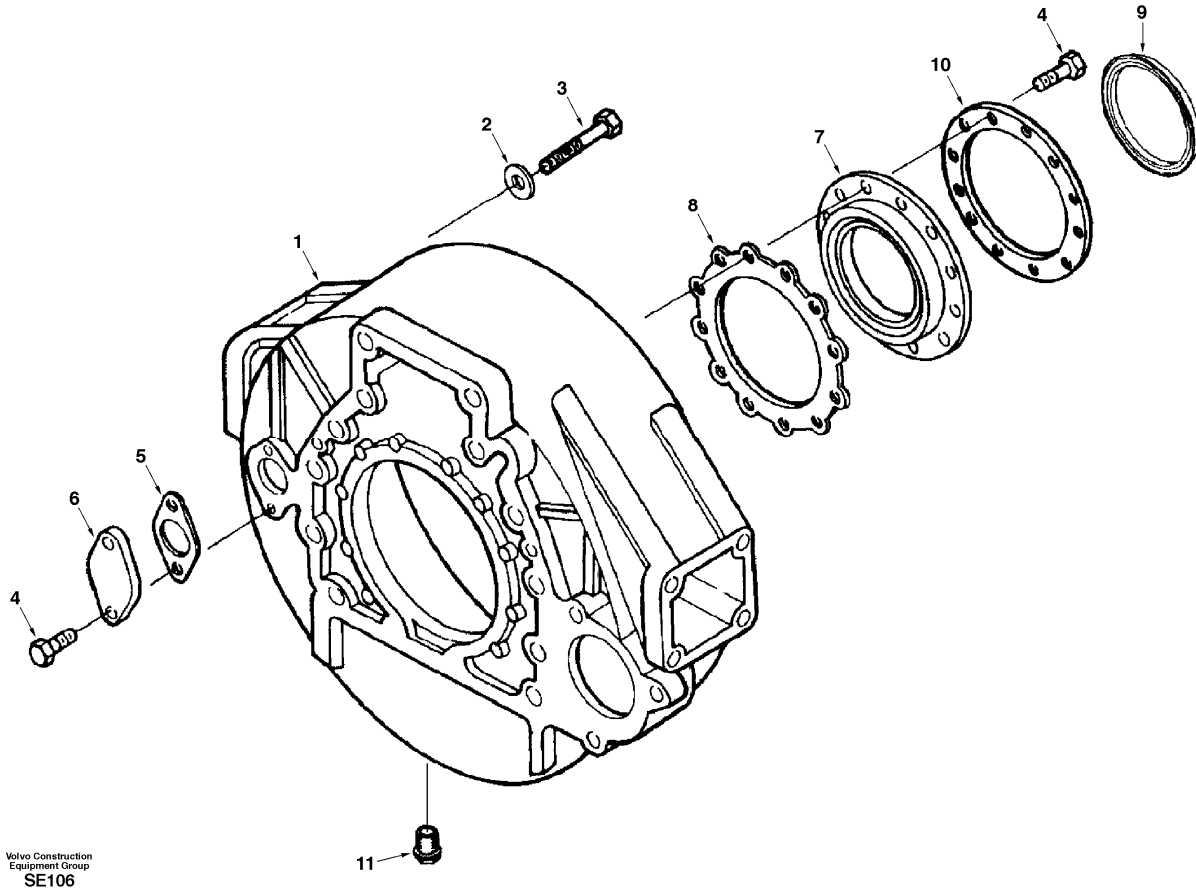
Volvo Construction
Equipment Group
SE105

Section option	Kit	Option description
SADH04B001		Air heater for engine
SADH04B002		Without air pre-heater for engine

Q1-Q5	Option	Option description	
Q1 DH04B001			
Q2 DH04B002			

Pos	Part	Q1	Q2	Q3	Q4	Q5	PS	Kit	Description	Option(s)	Remark
1	SA3255124	1	1						Hose		
2	SA107460	1	1						Clip		
3	SA3818060	1	1						Screw		
4	SA3819475	1	1						Pipe		

Date: 2014/1/12	Image id: SE106	Catalogue: 56122	Model: EC360
Brand: Volvo	Serial: 3001-9999	Group/Section: 212/300	Title: Flywheel housing



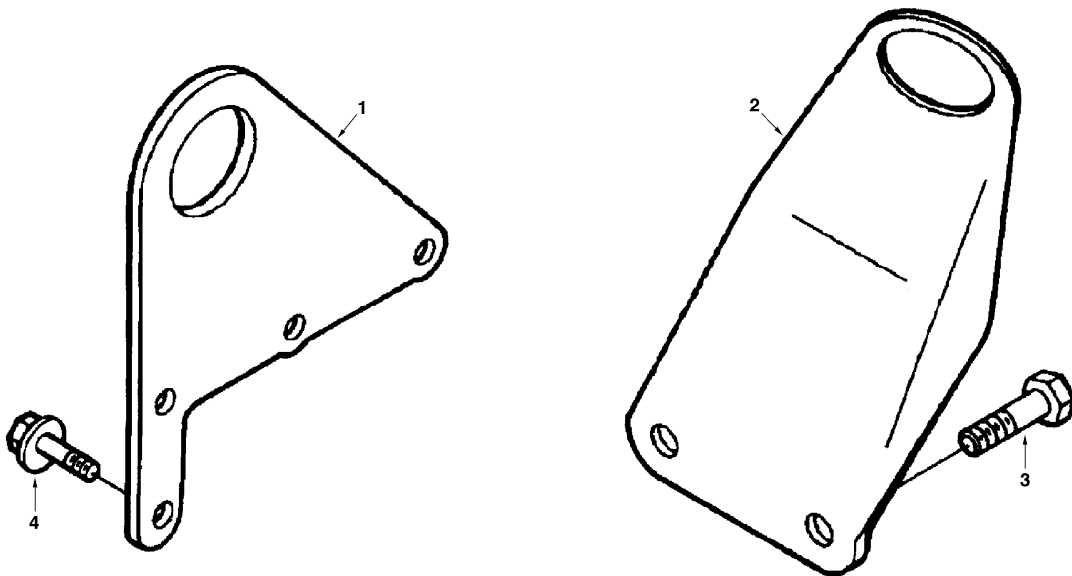
Section option	Kit	Option description
SADH04B001		Air heater for engine
SADH04B002		Without air pre-heater for engine

Q1-Q5	Option	Option description	
Q1 DH04B001			
Q2 DH04B002			

Pos	Part	Q1	Q2	Q3	Q4	Q5	PS	Kit	Description	Option(s)	Remark
1	SA3036238	1	1						Housing		
2	SA127316	12	12						Washer		
3	SA3022148	2	2						Bolt		
4	SA3025802	12	12						Bolt		
5	SA3026134	1	1						Gasket		
6	SA3026135	1	1						Cover		
7	VOE11370542	1	1					SS	Sealing kit		(SA3803727)

8	SA3883659	1	1						•Gasket		
9	SA3161025	1	1						Seal		
10	SA3883622	1	1				OP		Ring		
11	SA3042004	2	2						Plug		

Date: 2014/1/12	Image id: SE107	Catalogue: 56122	Model: EC360
Brand: Volvo	Serial: 3001-9999	Group/Section: 212/500	Title: Lifting eye

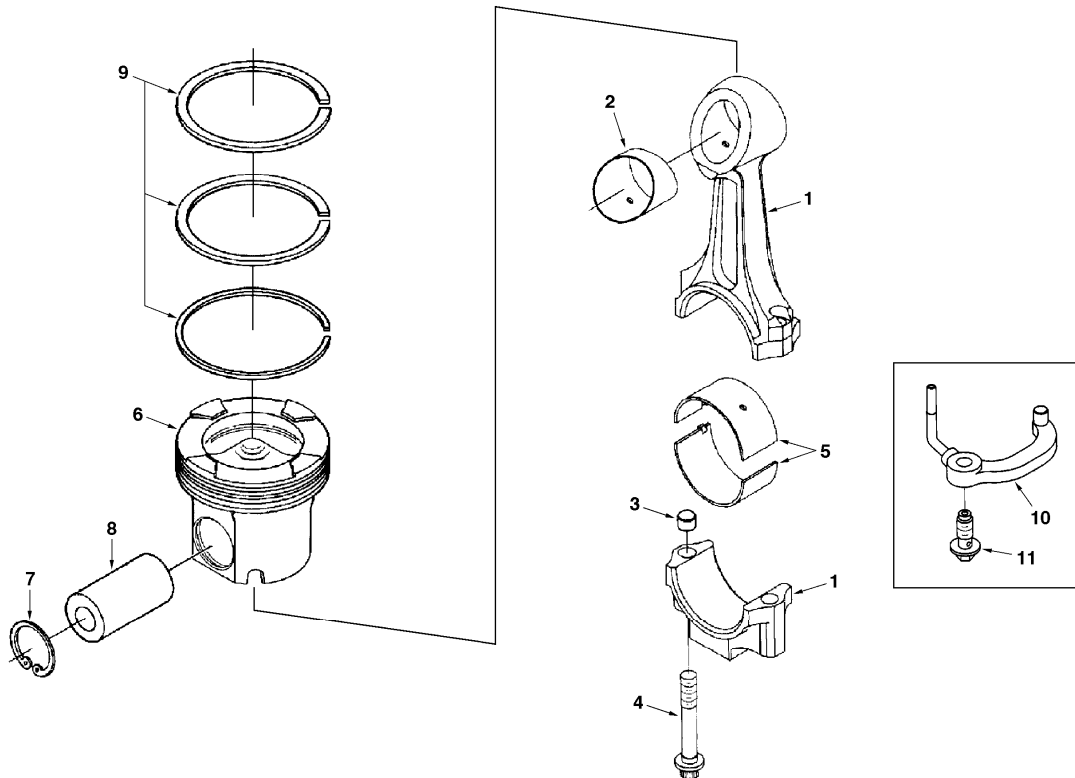


Volvo Construction
Equipment Group
SE107

Q1-Q5	Option	Option description	
Q1 DH04B001			
Q2 DH04B002			

Pos	Part	Q1	Q2	Q3	Q4	Q5	PS	Kit	Description	Option(s)	Remark
1	SA3883586	1	1						Bracket		
2	SA3896347	1	1						Bracket		
3	SA3893834	2	2						Bolt		
4	SA3335044	4	4						Bolt		

Date: 2014/1/12	Image id: SE108A	Catalogue: 56122	Model: EC360
Brand: Volvo	Serial: 3001-9999	Group/Section: 213/100	Title: Connecting rod and piston



Volvo Construction
Equipment Group
SE108A

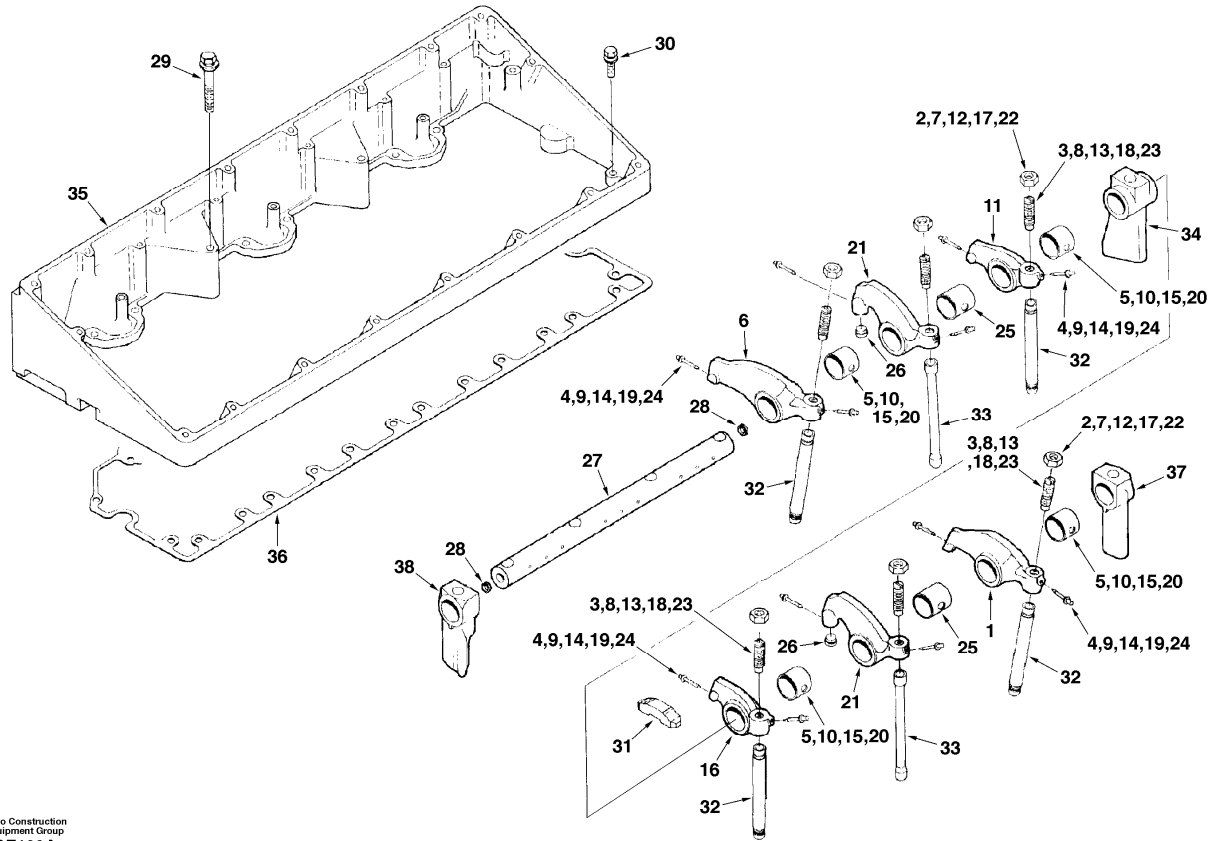
Section option	Kit	Option description
SADH04B001		Air heater for engine
SADH04B002		Without air pre-heater for engine

Q1-Q5	Option	Option description	
Q1 DH04B001			
Q2 DH04B002			

Pos	Part	Q1	Q2	Q3	Q4	Q5	PS	Kit	Description	Option(s)	Remark
1	SA3899450	1	1						Connecting rod		
2	SA3896894	1	1						•Bushing		
3	SA3027106	2	2						•Ring		
4	SA3027108	2	2						•Bolt		
5	SA3016760	12	12						Bearing		STANDARD
	SA3016761	12	12						Bearing		0.25MM O SZ
	SA3016762	12	12						Bearing		0.50MM O SZ

	SA3016763	12	12				OP		Bearing		0.75MM O SZ
	SA3016764	12	12						Bearing		1.00MM O SZ
6	SA3803976	6							Piston		
	SA3803624		6				SS		Piston		
7	SA3016652	2	2						•Ring		SNAP
8	SA3063843	1					SS		•Pin		
	SA3016650		1						•Pin		
9	SA3803977	1							•Ring		SET
	SA3803555		1				SS		•Ring		SET
10	SA3080708	6	6						Nozzle		
11	SA3070393	6	6						Screw		

Date: 2014/1/12	Image id: SE109A	Catalogue: 56122	Model: EC360
Brand: Volvo	Serial: 3001-9999	Group/Section: 214/200	Title: Rocker arm



Volvo Construction
Equipment Group
SE109A

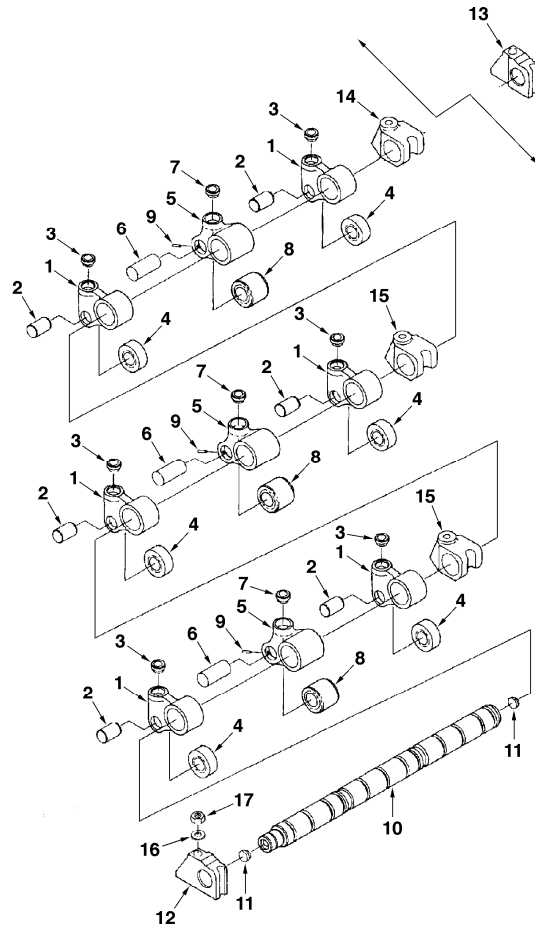
Section option	Kit	Option description
SADH04B001		Air heater for engine
SADH04B002		Without air pre-heater for engine

Q1-Q5	Option	Option description	
Q1 DH04B001			
Q2 DH04B002			

Pos	Part	Q1	Q2	Q3	Q4	Q5	PS	Kit	Description	Option(s)	Remark
1	SA3064600	3	3				SS		Rocker Arm		EXHAUST 2,4,6
	SA3064602	1	1				NS		•Rocker Arm		
2	SA3066257	1	1						•Nut		
3	SA3066644	1	1						•Bolt		
4	SA3067941	2	2						•Plug		
5	SA3019733	1	1						•Bushing		
6	SA3064597	3	3				SS		Rocker Arm		EXHAUST 1,3,5

	SA3064599	1	1				NS		•Rocker Arm		
7	SA3066257	1	1						•Nut		
8	SA3066644	1	1						•Bolt		
9	SA3067941	2	2						•Plug		
10	SA3019733	1	1						•Bushing		
11	SA3068350	3	3				SS		Rocker Arm		INTAKE 1,3,5
	SA3064605	1	1				NS		•Rocker Arm		
12	SA3066257	1	1						•Nut		
13	SA3066644	1	1						•Bolt		
14	SA3067941	2	2						•Plug		
15	SA3019733	1	1						•Bushing		
16	SA3068351	3	3						Rocker Arm		INTAKE 2,4,6
	SA3064608	1	1				NS		•Rocker Arm		
17	SA3066257	1	1						•Nut		
18	SA3066644	1	1						•Bolt		
19	SA3067941	2	2						•Plug		
20	SA3019733	1	1						•Bushing		
21	SA3069020	6	6						Rocker Arm		CYLINDER 1,2,3,4,5,6
22	SA3066257	1	1						•Nut		
23	SA3066644	1	1						•Bolt		
24	SA3067941	2	2						•Plug		
25	SA3067871	1	1						•Bushing		
26	SA3066643	1	1						•Socket		
27	SA3803166	2	2				SS		Shaft		
	SA3820750	1	1				SS		•Shaft		
28	SA3019630	2	2						•Plug		
29	SA3892105	4	4						Bolt		
30	SA3161093	20	20						Bolt		
31	SA3070175	6	6				NS		Head		
32	SA3068390	12	12						Bar		
33	SA3067830	6	6						Bar		
34	SA3892654	4	4						Support		
35	SA3098720	1	1						Housing		
36	SA3896697	1	1				SS		Gasket		
37	SA3892652	2	2						Support		
38	SA3892653	2	2						Support		

Date: 2014/1/12	Image id: SE110	Catalogue: 56122	Model: EC360
Brand: Volvo	Serial: 3001-9999	Group/Section: 214/300	Title: Valve tappet



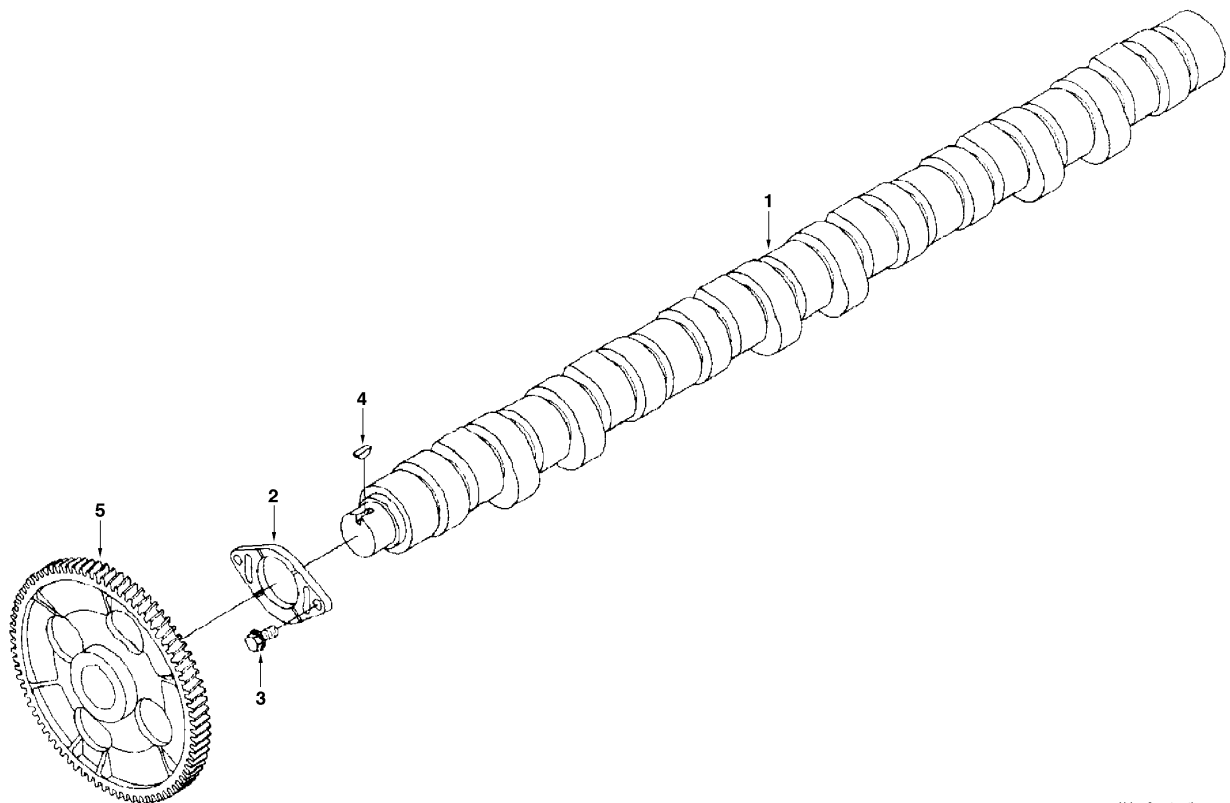
Volvo Construction
Equipment Group
SE110

Section option	Kit	Option description
SADH04B001		Air heater for engine
SADH04B002		Without air pre-heater for engine

Q1-Q5	Option	Option description	
Q1 DH04B001			
Q2 DH04B002			

Pos	Part	Q1	Q2	Q3	Q4	Q5	PS	Kit	Description	Option(s)	Remark
1	SA3161475	12	12						Lever		VALVE
	SA3821160	1	1				OP		•Lever		
2	SA3335342	1	1						•Pin		
3	SA3064621	1	1						•Pin		
4	SA3895488	1	1						•Roller		
5	SA3417645	6							Lever		INJECTOR
	SA3161474		6						Lever		

Date: 2014/1/12	Image id: SE111	Catalogue: 56122	Model: EC360
Brand: Volvo	Serial: 3001-9999	Group/Section: 215/100	Title: Camshaft



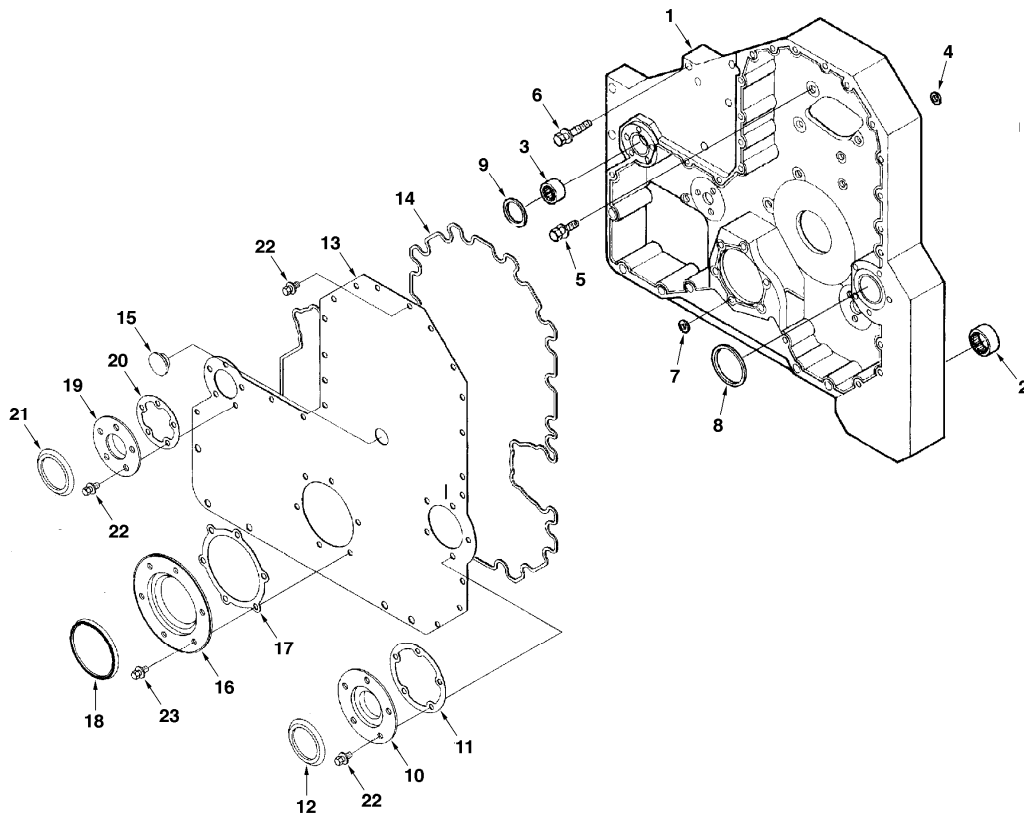
Volvo Construction
Equipment Group
SE111

Section option	Kit	Option description
SADH04B001		Air heater for engine
SADH04B002		Without air pre-heater for engine

Q1-Q5	Option	Option description	
Q1 DH04B001			
Q2 DH04B002			

Pos	Part	Q1	Q2	Q3	Q4	Q5	PS	Kit	Description	Option(s)	Remark
1	SA3087856	1							Camshaft		
	SA3895805		1						Camshaft		
2	SA3896335	1	1						Support		
3	SA3822067	2	2						Screw		
4	SA3009949	1							Woodruff Key		
	SA3009948		1						Woodruff Key		
5	SA3038989	1	1						Gear		

Date: 2014/1/12	Image id: SE112	Catalogue: 56122	Model: EC360
Brand: Volvo	Serial: 3001-9999	Group/Section: 215/150	Title: Timing gear casing



Volvo Construction
Equipment Group
SE112

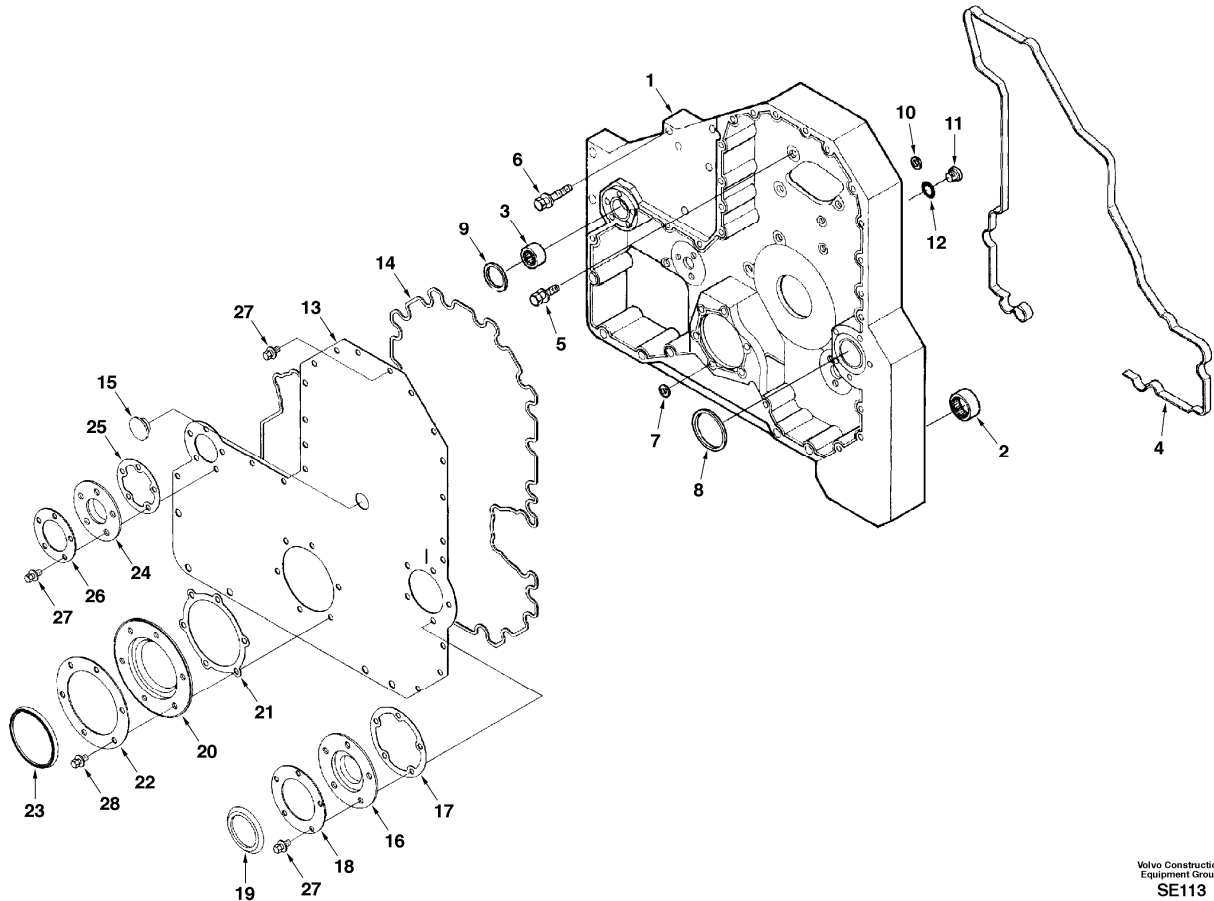
Section option	Kit	Option description
SADH04B001		Air heater for engine

Q1-Q5	Option	Option description	
Q1 DH04B001	SADH04B001	Air heater for engine	

Pos	Part	Q1	Q2	Q3	Q4	Q5	PS	Kit	Description	Option(s)	Remark
1	SA3417628	1							Housing		(SA3895536)
	SA3892278	1					OP		•Housing		
2	SA3025354	1							•Needle Bearing		
3	SA3893913	1							•Needle Bearing		
4	SA3883150	1							Seal		
5	SA3818060	12							Screw		
6	SA3820186	5							Screw		
7	SA3201659	6							Seal		
8	SA3820945	1							Seal		

9	SA3820946	1							Seal		
10	SA3804304	1							Seal		
	SA3892794	1					SS		•Seal		
11	SA3328760	1							•Gasket		
12	SA3896837	1							•Seal		
13	SA3803571	1							Cover		
	SA3892697	1					SS		•Cover		
14	SA3893964	1							•Seal		
15	SA3892666	1							•Plug		
16	SA3804744	1							Seal		
17	SA3328761	1					NS		•Gasket		
18	SA3895023	1							•Seal		
19	SA3803894	1							Gasket		
20	SA3328759	1							•Gasket		
21	SA3895020	1					NS		•Seal		
22	SA3900629	32							Screw		
23	SA3161006	6							Screw		

Date: 2014/1/12	Image id: SE113	Catalogue: 56122	Model: EC360
Brand: Volvo	Serial: 3001-9999	Group/Section: 215/200	Title: Timing gear casing



Volvo Construction
Equipment Group
SE113

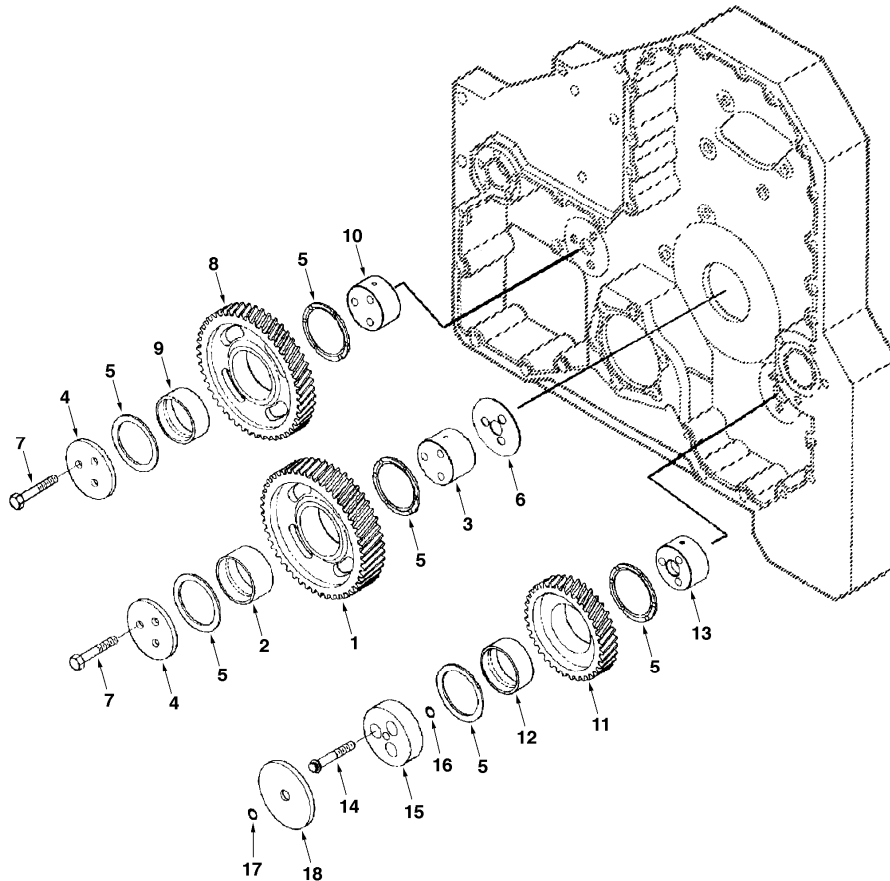
Section option	Kit	Option description
SADH04B002		Without air pre-heater for engine

Q1-Q5	Option	Option description	
Q1 DH04B002	SADH04B002	Without air pre-heater for engine	

Pos	Part	Q1	Q2	Q3	Q4	Q5	PS	Kit	Description	Option(s)	Remark
1	SA3417628	1							Housing		
2	SA3025354	1							•Needle Bearing		
3	SA3893913	1							•Needle bearing		
4	SA3893964	1							Seal		
5	SA3818060	12							Screw		
6	SA3820186	5							Screw		
7	SA3201659	6							Sealing		
8	SA3820945	1							Sealing		
9	SA3820946	1							Sealing		

10	SA3883150	1							Sealing		
11	SA3046202	1							Plug		
	SA3040810	1					SS		•Plug		
12	SA3046201	1							•O-ring		
13	SA3803571	1							Cover		
	SA3892697	1					SS		•Cover		
14	SA3893964	1							•Seal		
15	SA3892666	1							•Plug		
16	SA3803728	1					SS		Sealing Kit		
	SA3892794	1					SS		•Seal		
17	SA3892083	1					SS		•Gasket		
18	SA3328760	1							•Gasket		(SA3896835)
19	SA3896837	1							•Sealing		
20	SA3804744	1							Seal		(SA3803729)
	SA3892795						SS		•Seal		
21	SA3328761	1					NS		•Gasket		
22	SA3892086	1					SS		•Ring		
23	SA3803487	1					SS		Sealing Kit		
	SA3895020	1					NS		•Seal		
24	SA3892796	1					SS		•Seal		
25	SA3892082	1					SS		•Gasket		
26	SA3892084	1					SS		•Ring		
27	SA3900629	32							Screw		
28	SA3161006	26							Screw		

Date: 2014/1/12	Image id: SE114A	Catalogue: 56122	Model: EC360
Brand: Volvo	Serial: 3001-9999	Group/Section: 215/250	Title: Timing gear



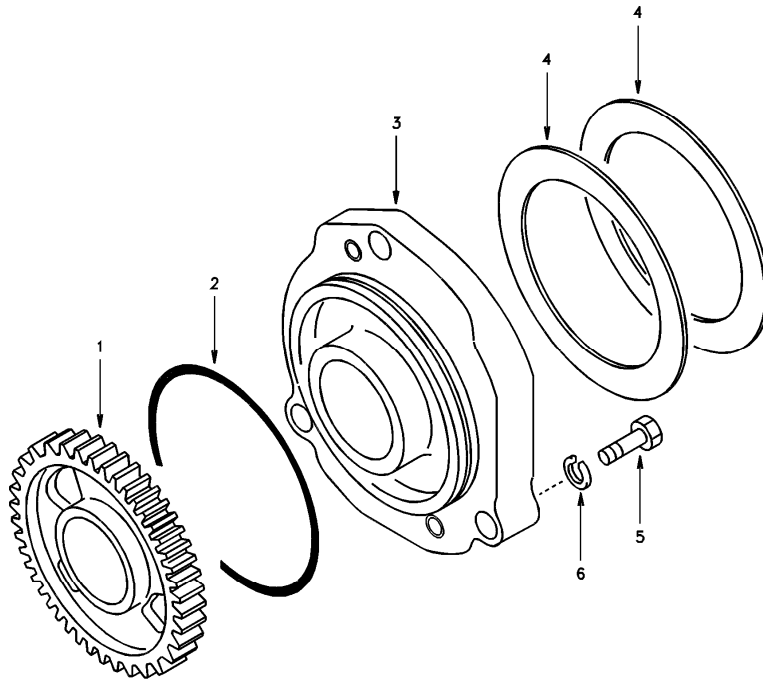
Section option	Kit	Option description
SADH04B001		Air heater for engine
SADH04B002		Without air pre-heater for engine

Q1-Q5	Option	Option description	
Q1 DH04B001	SADH04B001	Air heater for engine	
Q2 DH04B002	SADH04B002	Without air pre-heater for engine	

Pos	Part	Q1	Q2	Q3	Q4	Q5	PS	Kit	Description	Option(s)	Remark
1	SA3084532	1							Gear		
	SA3084447	1					SS		•Gear		
	SA3038986		1						Gear		
	SA3038985		1				NS		•Gear		
2	SA3026188	1	1						•Bushing		
3	SA3026166	1	1						Shaft		
4	SA3026233	2	2						Retainer		

5	SA3084899	6	6						Bearing		
6	SA3088161	1							Plate		
	SA3041038		1						Plate		
7	SA3088162	6							Screw		
	SA3039398		6						Screw		
8	SA3084533	1							Gear		
	SA3084448	1					SS		•Gear		
	SA3038988		1						Gear		
	SA3038987		1				NS		•Gear		
9	SA3026189	1	1						•Bushing		
10	SA3026167	1	1						Shaft		
11	SA3045873	1	1						Gear		
	SA3045855	1	1				NS		•Gear		
12	SA3026188	1	1						•Bushing		
13	SA3062904	1	1						Shaft		
14	SA3045853	3	3						Screw		
15	SA3882511	1	1						Retainer		
16	SA3820030	1	1						Seal		
17	SA3883510	1	1						Seal		
18	SA3882513	1	1						Spacer		

Date: 2014/1/12	Image id: SE115	Catalogue: 56122	Model: EC360
Brand: Volvo	Serial: 3001-9999	Group/Section: 215/300	Title: Pump drive power take-off

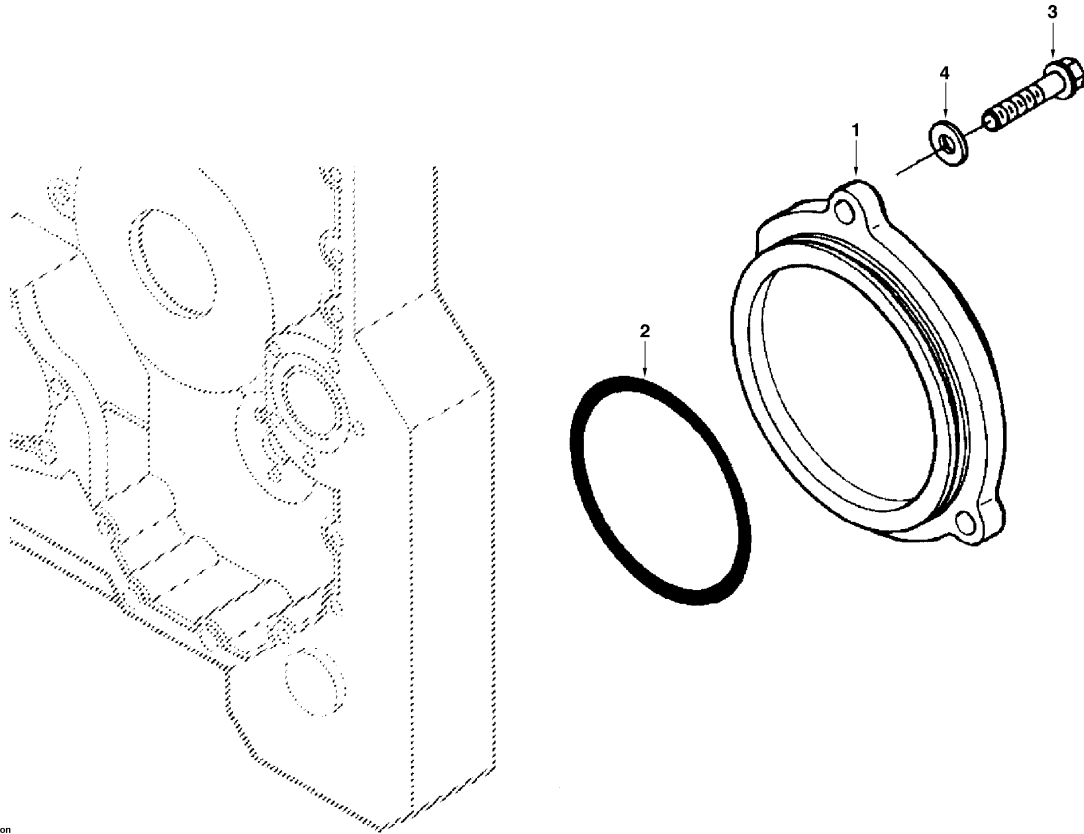


Volvo Construction
Equipment Group
SE115

Q1-Q5	Option	Option description	
Q1 DH18B001	SADH18B001	Leak-off line for slope-rotator on basic machine	

Pos	Part	Q1	Q2	Q3	Q4	Q5	PS	Kit	Description	Option(s)	Remark
1	SA3028420	1							Gear		
2	SA3883042	1							Seal		
3	SA3820755	1							Support		
4	SA3008400	2							Gasket		
5	SA9011-11007	3							Bolt		
6	SA9213-10000	3					SS		Spring Washer		

Date: 2014/1/12	Image id: SE116	Catalogue: 56122	Model: EC360
Brand: Volvo	Serial: 3001-9999	Group/Section: 215/400	Title: Power take-off cover



Volvo Construction
Equipment Group
SE116

Q1-Q5	Option	Option description	
Q1 DH04B001	SADH04B001	Air heater for engine	
Q2 DH04B002	SADH04B002	Without air pre-heater for engine	

Pos	Part	Q1	Q2	Q3	Q4	Q5	PS	Kit	Description	Option(s)	Remark
1	SA3882680	1	1						Plug		
2	SA3883042	1	1						Seal		
3	SA3819521	3	3						Screw		
4	SA108330	3	3						Washer		

Thank you so much for reading.
Please click the “Buy Now!”
button below to download the
complete manual.



After you pay.

You can download the most
perfect and complete manual in
the world immediately.

Our support email:

ebooklibonline@outlook.com