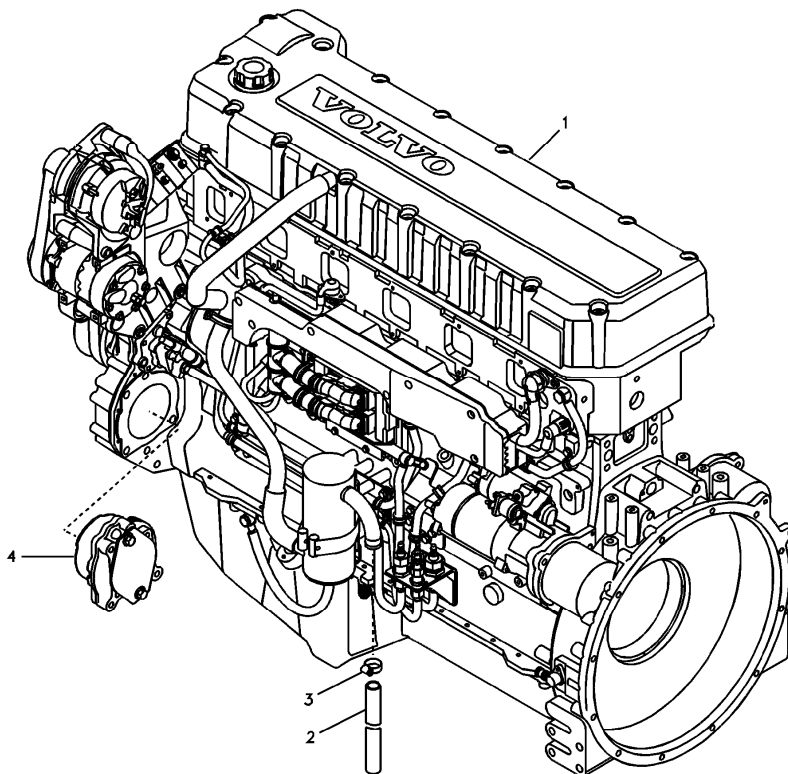


Date: <b>2014/1/12</b>	Image id: <b>1020251</b>	Catalogue: <b>20076</b>	Model: <b>EC360B LC</b>
Brand: <b>Volvo</b>	Serial: <b>12152-15000, 30001-35000, 80001-85000</b>	Group/Section: <b>210/100</b>	Title: <b>Engine</b>



Volvo Construction  
Equipment  
1020251

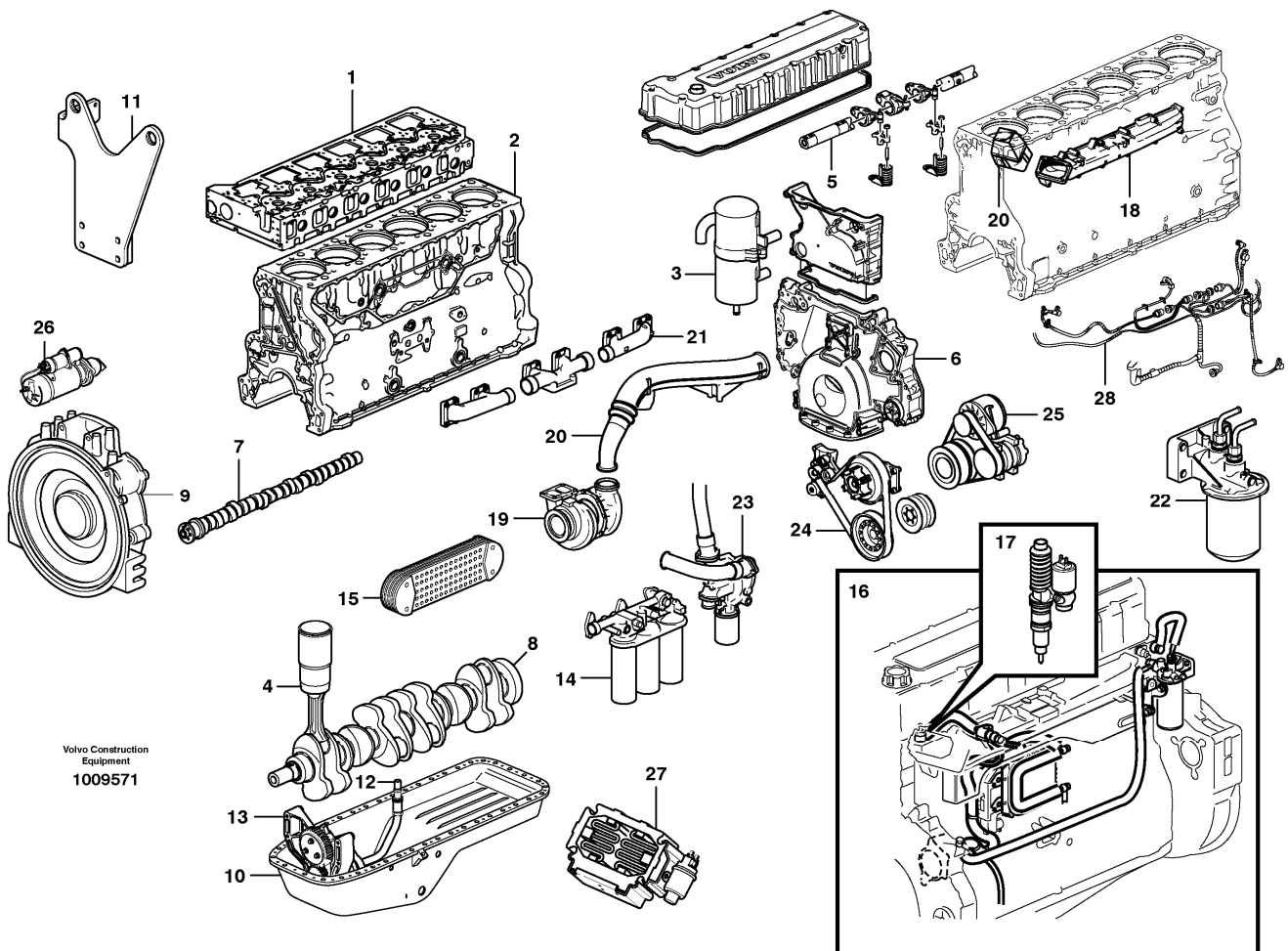
Section option	Kit	Option description
VOE8280263	VOE1454547	Leak-off line for slope-rotator on basic machine
VOE8280231		Engine with Epa label EMISSION CERTIFICATED FROM EU&EPA
VOE8280232		Engine without Epa label INT AND KOREAN MARKET

Q1-Q5	Option	Option description	
Q1 8280231	VOE8280231	Engine with Epa label EMISSION CERTIFICATED FROM EU&EPA	
Q2 8280232	VOE8280232	Engine without Epa label INT AND KOREAN MARKET	
Q3 8280263	VOE8280263	Leak-off line for slope-rotator on basic machine	

Pos	Part	Q1	Q2	Q3	Q4	Q5	PS	Kit	Description	Option(s)	Remark
1		1	1						Engine		See ref 210/200
2	VOE14881131	1	1						Hose		
3	SA9312-10175	1	1						Clamp		

4			1				Power Take-off		
---	--	--	---	--	--	--	----------------	--	--

Date: <b>2014/1/12</b>	Image id: <b>1009571</b>	Catalogue: <b>20076</b>	Model: <b>EC360B LC</b>
Brand: <b>Volvo</b>	Serial: <b>12152-15000, 30001-35000, 80001-85000</b>	Group/Section: <b>210/200</b>	Title: <b>Engine</b>



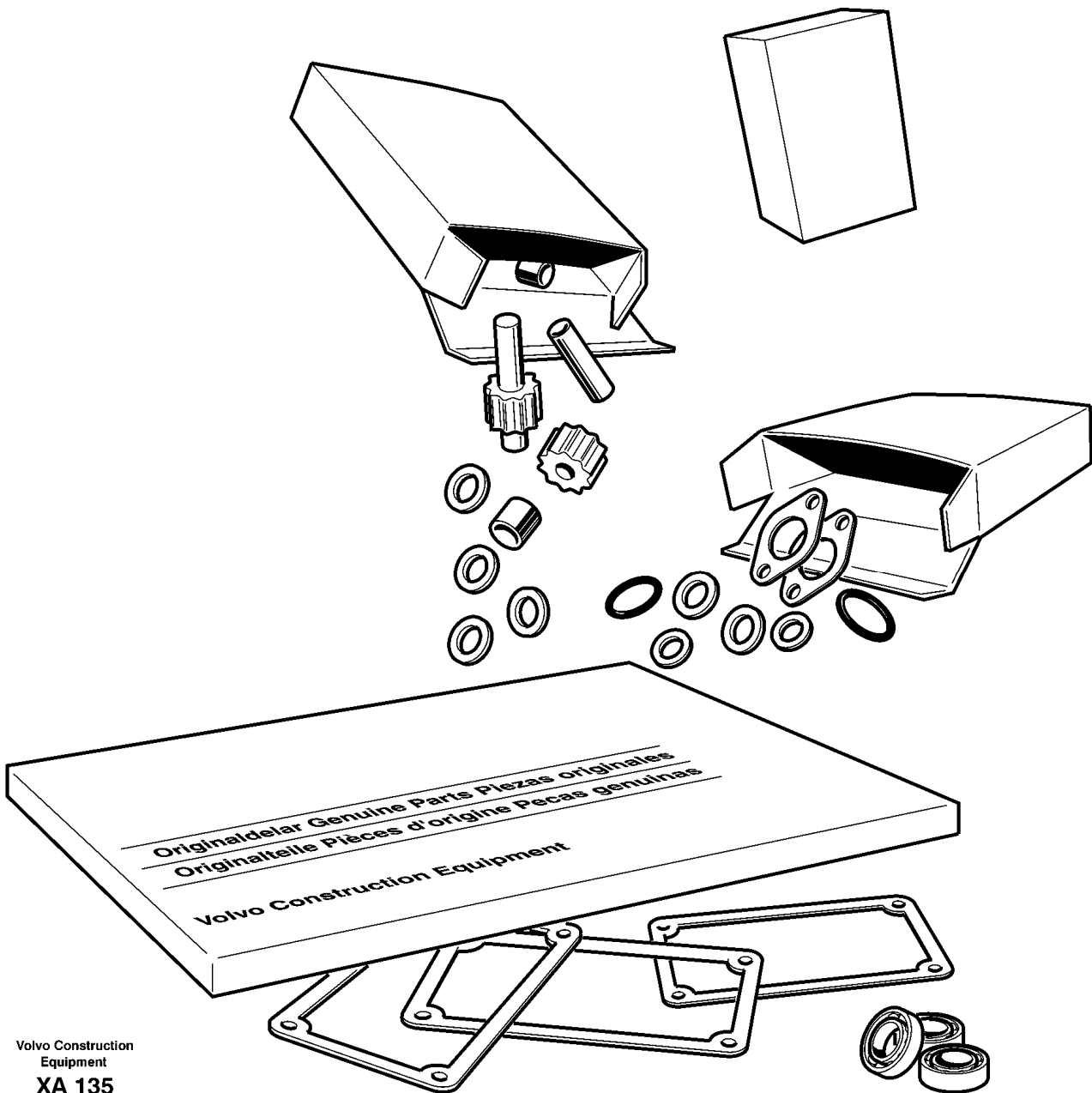
Section option	Kit	Option description
VOE8280231		Engine with Epa label EMISSION CERTIFICATED FROM EU&EPA
VOE8280232		Engine without Epa label INT AND KOREAN MARKET

Q1-Q5	Option	Option description	
Q1 8280231	VOE8280231	Engine with Epa label EMISSION CERTIFICATED FROM EU&EPA	
Q2 8280232	VOE8280232	Engine without Epa label INT AND KOREAN MARKET	

Pos	Part	Q1	Q2	Q3	Q4	Q5	PS	Kit	Description	Option(s)	Remark
	VOE8188768	1					SS		Engine		D12D EBE3 S/N - 80992 KOR
	VOE8188756	1					SS		Engine		D12D-H S/N 80993 - 81015 KOR

	VOE8188757	1						Engine		D12D-P S/N 81016 - KOR
	VOE8188746		1				SS	Engine		(VOE8188758)D12D EAE3 S/N - 13100 KOR
	VOE8188746		1				SS	Engine		D12D-G S/N 13101 - 13248 KOR
	VOE8188747		1					Engine		D12D-O S/N 13249 - KOR S/N 130001 - CHN
1		1	1					•Cylinder head		See ref 211/100
2		1	1					•Cylinder block		See ref 212/100
3		1	1					•Crankcase ventilation		See ref 212/300
4		6	6					•Cylinder liner		See ref 213/100
5		1	1					•Valve mechanism		See ref 214/100
6		1	1					•Timing gear casing		See ref 215/100
7		1	1					•Camshaft		See ref 215/200
8		1	1					•Crankshaft		See ref 216/100
9		1	1					•Flywheel housing		See ref 216/200
10		1	1					•Oil sump		See ref 217/100
11		1	1					•Engine mounting		See ref 218/200
12		1	1					•Lubricating system		See ref 221/100
13		1	1					••Oil pump		See ref 221/200
14		1	1					•Oil filter		See ref 222/100
15		1	1					•Oil cooler		See ref 223/100
16		1	1					•Fuel pipes		See ref 235/200
17		1	1					••Injector		See ref 237/200
18		1	1					•Inlet pipe		See ref 251/100
19		1	1					•Turbocharger		See ref 255/100
20		1	1					•Charge air cooler		See ref 258/100
21		1	1					•Exhaust pipe		See ref 251/100
22		1	1					•Coolant filter		See ref 261/400
23		1	1					•Water pump and thermo		See ref 262/100
24		1	1					•Belt transmission		See ref 263/100
25		1	1					•Alternator with fitti		See ref 321/100
26		1	1					•Starter motor		See ref 331/100
27		1	1					•Starter Element		See ref 333/200
28		1	1					•Cable harness, ECU		See ref 371/300

Date: <b>2014/1/12</b>	Image id: <b>XA135</b>	Catalogue: <b>20076</b>	Model: <b>EC360B LC</b>
Brand: <b>Volvo</b>	Serial: <b>12152-15000, 30001-35000, 80001-85000</b>	Group/Section: <b>210/300</b>	Title: <b>Repair kits for engine</b>

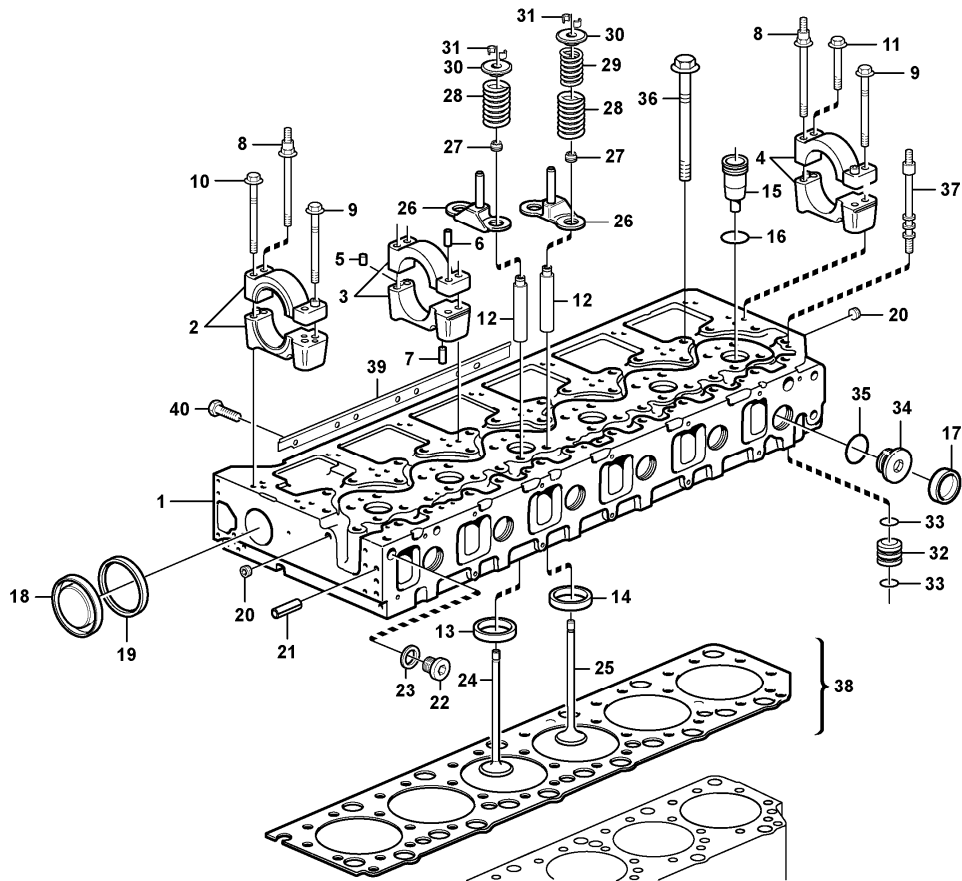


Section option	Kit	Option description
VOE8280231		Engine with Epa label EMISSION CERTIFICATED FROM EU&EPA
VOE8280232		Engine without Epa label INT AND KOREAN MARKET

Q1-Q5	Option	Option description	
Q1 8280231	VOE8280231	Engine with Epa label EMISSION CERTIFICATED FROM EU&EPA	
Q2 8280232	VOE8280232	Engine without Epa label INT AND KOREAN MARKET	

Pos	Part	Q1	Q2	Q3	Q4	Q5	PS	Kit	Description	Option(s)	Remark
	VOE3099100	1	1						Gasket kit		FOR CYLINDER HEAD See ref 211/100
	VOE276939	6	6				SS		Cylinder liner kit		See ref 213/100
	VOE270950	6	6						•Sealing kit		
	VOE276949	6	6						•Piston ring kit		
	VOE276630	1	1						Bearing shell kit		CAMSHAFT See ref 215/200
		6	6						Big end brg kit		See ref 216/100
		7	7						Mn bearing kit		See ref 216/100
		1	1						Thrust washer kit		See ref 216/100
	VOE11127584	1	1						Gasket		OIL PAN See ref 217/100
	VOE3092642	1	1						De-carbonizing kit		FOR DECARBONIZING
	VOE3964604	16	16						•Bushing		
	VOE859171	24	24						•Valve seal		
	VOE21070576	1	1						•Sealing strip		(VOE8170116)
	VOE1544710	2	2						•Sealing ring		
	VOE1547252	1	1						•Sealing ring		
	VOE1547254	2	2						•Sealing ring		
	VOE1636309	1	1						•Sealing ring		
	VOE1677370	2	2						•Sealing ring		
	VOE3165097	1	1						•Sealing ring		
	VOE20714247	1	1						•Seg moulding		(VOE8170452)
	VOE7011996	7	7						•Gasket		
	VOE8149301	1	1						•Gasket		
	VOE8170473	1	1						•Gasket		
	VOE8170519	1	1						•Gasket		
	VOE1675841	1	1						•Gasket		
	VOE949659	12	12						•O-ring		
	VOE3165747	6	6						•O-ring		
	VOE13949656	1	1						•O-ring		

Date: <b>2014/1/12</b>	Image id: <b>1056164</b>	Catalogue: <b>20076</b>	Model: <b>EC360B LC</b>
Brand: <b>Volvo</b>	Serial: <b>12152-15000, 30001-35000, 80001-85000</b>	Group/Section: <b>211/100</b>	Title: <b>Cylinder head</b>



Volvo Construction  
Equipment  
1056164

Section option	Kit	Option description
VOE8188746		Engine D12D-G, TIER3, BASED TIER2
VOE8188747		Engine D12D-O
VOE8188756		Engine D12D TIER 3
VOE8188757		Engine D12D-P
VOE8188758		Engine D12DEBE2
VOE8188768		Engine D12DEBE3
VOE8280231		Engine with Epa label EMISSION CERTIFICATED FROM EU&EPA
VOE8280232		Engine without Epa label INT AND KOREAN MARKET

Q1-Q5	Option	Option description	
Q1 8280231	VOE8280231	Engine with Epa label EMISSION CERTIFICATED FROM EU&EPA	
Q2 8280232	VOE8280232	Engine without Epa label INT AND KOREAN MARKET	
Q3 8280231	VOE8280231	Engine with Epa label EMISSION CERTIFICATED FROM EU&EPA	

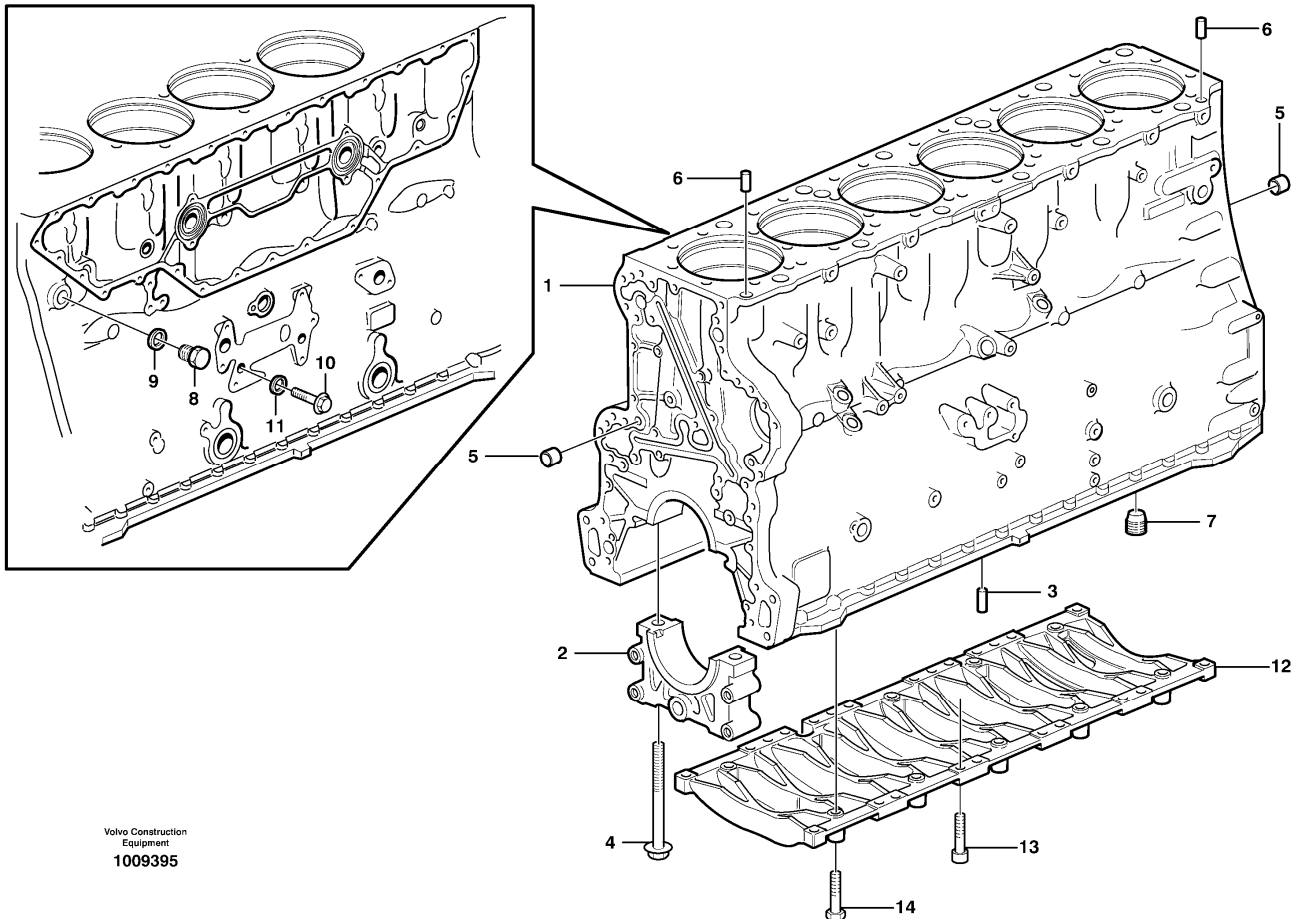
Q4 8280232	VOE8280232	Engine without Epa label INT AND KOREAN MARKET	
------------	------------	--	--

Pos	Part	Q1	Q2	Q3	Q4	Q5	PS	Kit	Description	Option(s)	Remark
	VOE20560799	1					SS		Cylinder head		
	VOE20560797		1						Cylinder head		
	VOE21086450			1					Cylinder head		8188768, 8188756, 8188757
	VOE20929885				1				Cylinder head		8188758, 8188746, 8188747
	VOE24426421	1		1			SE		•Cylinder head		
	VOE24426420		1		1		SS		•Cylinder head		
1	VOE20478371	1	1	1	1		OP		••Cylinder head		
2	VOE3165130	1	1	1	1				••Bearing housing		FRONT
3	VOE3165133	5	5	5	5				••Bearing housing		
4	VOE3165136	1	1	1	1				••Bearing housing		REAR
5	VOE950542	7	7	7	7				•••Pin		
6	VOE1677189	7	7	7	7				•••Pin		
7	VOE950562	14	14	14	14				••Pin		
8	VOE21344812	7	7	7	7				••Stud		
9	VOE21344776	14	14	14	14				••Screw		L = 127 MM
10	VOE21344752	1	1	1	1				••Screw		L = 106 MM
11	VOE1677283	6	6	6	6				••Screw		L = 70 MM
12	VOE20817648	24		24					••Valve guide		(VOE20460636)
12	VOE20905400		24		24				••Valve guide		
13	VOE20459329	12	12	12	12				••Valve seat		STD, INLET
14	VOE20412798	12		12					••Valve seat		STD, EXHAUST
14	VOE3169366		12		12				••Valve		STD, EXHAUST
15	VOE3183368	6	6	6	6				••Sleeve		
16	VOE20536487	6	6	6	6				••O-ring		
17	VOE8131707	11	11	11	11				••Cap plug		
18	VOE8170553	1	1	1	1				••Cap plug		
19	VOE1544710	1	1	1	1				•Sealing ring		
20	VOE13968062	2	2						•Plug		
20	VOE990830			2	2				•Plug		
21	VOE422426	1	1	1	1				•Pin		
22	VOE20441335	1	1	1	1				•Plug		
23	VOE947281	1	1	1	1				•Gasket		
24	VOE20459326	12	12	12	12				•Inlet valve		
25	VOE20441486	12		12					•Exhaust Valve		
25	VOE20441945		12		12				•Exhaust valve		
26	VOE1677963	6	6						•Guide pin		
27	VOE859171	24	24	24	24				•Valve seal		ENG - 660580
27	VOE21501189	24	24	24	24				•Valve stem seal		ENG 660581 -
28	VOE21310068	24	24	24	24				•Valve spring		
29	5OE3183211	12	12	12	12				•Valve Spring		
30	VOE1546487	24	24	24	24				•Valve spring washer		



31	VOE1677875	48	48	48	48				•Valve sleeve		
32	VOE20463179	1	1	1	1				•Adapter		
33	VOE13949721	2	2	2	2				•O-ring		
34	VOE3165025	1	1	1	1		NS		•Plug		
34	VOE3155171	1	1	1	1				••Plug		
35	VOE949659	1	1	1	1				••O-ring		
36	VOE1547419	38	38	38	38				Screw		ENG - 649456
36	VOE21345131	38	38	38	38				Screw		ENG 649457 -
37	VOE8148863	9	9	9	9				Stud		ENG - 651827
37	VOE21344784	9	9	9	9				Stud		ENG 651828 -
38	VOE3099100	1	1	1	1				Gasket kit		
38	VOE20412953	1	1	1	1				•Gasket		
39	VOE20566300	1	1	1	1		OP		Heat shield		
40	VOE946441	2	2	2	2				Flange screw		
	VOE990831	1	1	1	1				Plug		OD = 16 MM

Date: <b>2014/1/12</b>	Image id: <b>1009395</b>	Catalogue: <b>20076</b>	Model: <b>EC360B LC</b>
Brand: <b>Volvo</b>	Serial: <b>12152-15000, 30001-35000, 80001-85000</b>	Group/Section: <b>212/100</b>	Title: <b>Cylinder block</b>



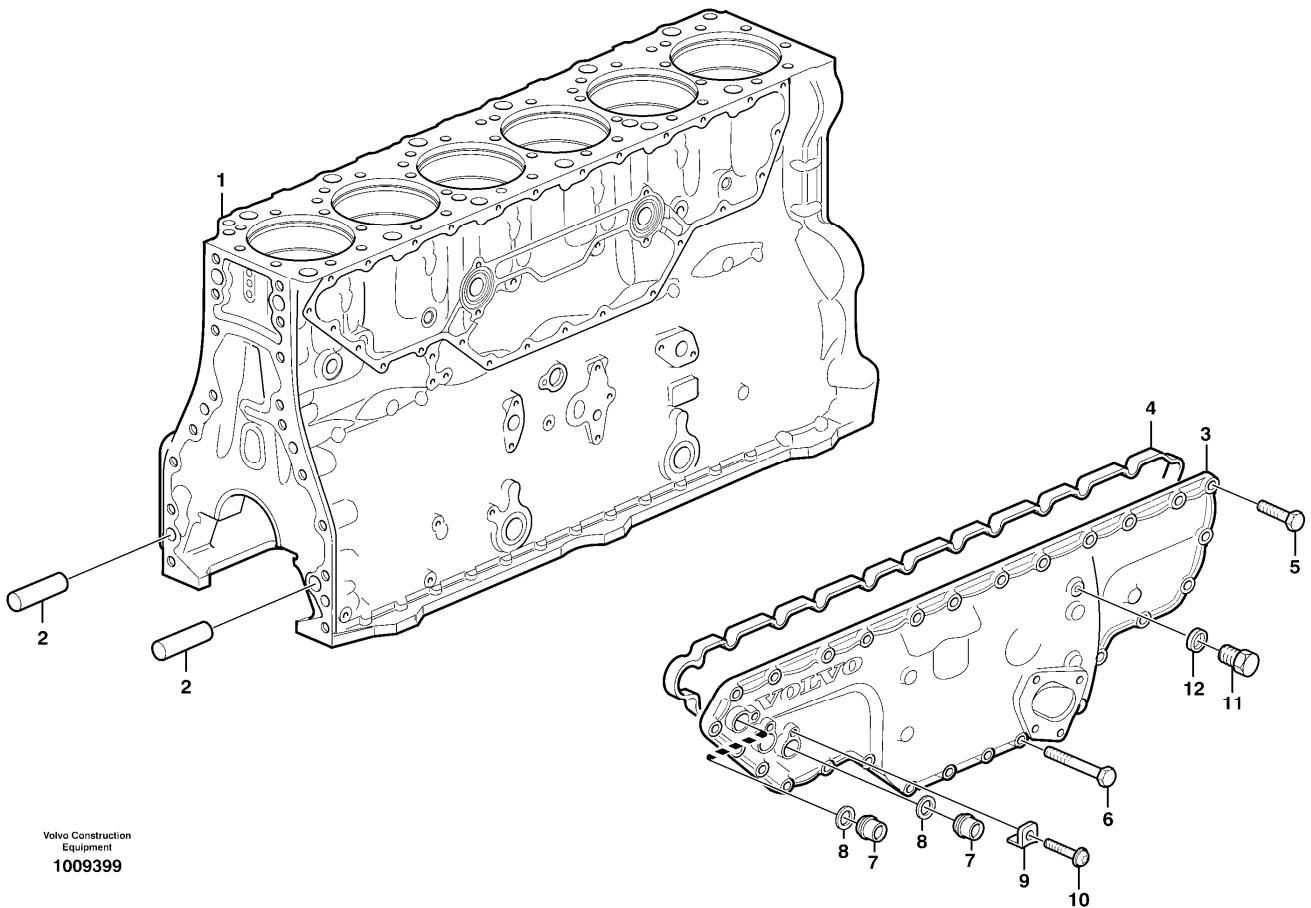
Section option	Kit	Option description
VOE8280231		Engine with Epa label EMISSION CERTIFICATED FROM EU&EPA
VOE8280232		Engine without Epa label INT AND KOREAN MARKET

Q1-Q5	Option	Option description	
Q1 8280231	VOE8280231	Engine with Epa label EMISSION CERTIFICATED FROM EU&EPA	
Q2 8280232	VOE8280232	Engine without Epa label INT AND KOREAN MARKET	

Pos	Part	Q1	Q2	Q3	Q4	Q5	PS	Kit	Description	Option(s)	Remark
	VOE8130120	1	1				SS		Cylinder block		
1	VOE8130121	1	1				NS		•Cylinder Block		
2		7	7				NS		•Cap		
3	VOE422426	1	1						•Pin		
4	VOE1547040	14	14						•Screw		

5	VOE981735	3	3						Cap plug		
6	VOE8170389	2	2						Guide sleeve		
7	VOE8170666	1	1						Plug		
8	VOE13960634	1	1						Plug		
9	VOE13947627	1	1						Plane gasket		
10	VOE946440	1	1						Flange screw		
11	VOE7011992	1	1						Gasket		
12	VOE3183414	1	1						Frame		
13	VOE973523	20	20						Allen Hd Screw		
14	VOE13965187	6	6						Screw		

Date: <b>2014/1/12</b>	Image id: <b>1009399</b>	Catalogue: <b>20076</b>	Model: <b>EC360B LC</b>
Brand: <b>Volvo</b>	Serial: <b>12152-15000, 30001-35000, 80001-85000</b>	Group/Section: <b>212/200</b>	Title: <b>Cylinder block</b>



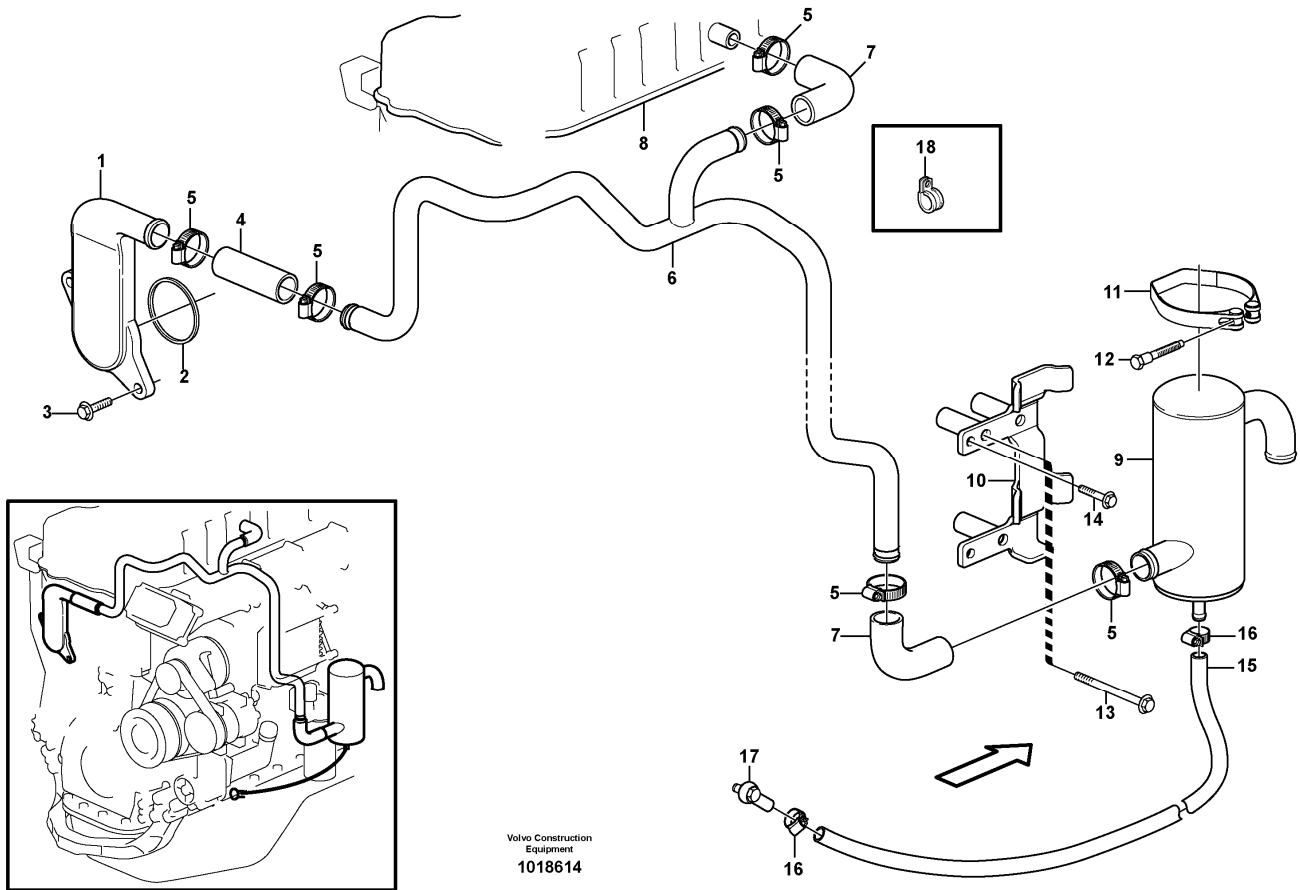
Section option	Kit	Option description
VOE8280231		Engine with Epa label EMISSION CERTIFICATED FROM EU&EPA
VOE8280232		Engine without Epa label INT AND KOREAN MARKET

Q1-Q5	Option	Option description	
Q1 8280231	VOE8280231	Engine with Epa label EMISSION CERTIFICATED FROM EU&EPA	
Q2 8280232	VOE8280232	Engine without Epa label INT AND KOREAN MARKET	

Pos	Part	Q1	Q2	Q3	Q4	Q5	PS	Kit	Description	Option(s)	Remark
1		1	1						Cylinder block		See ref 212/100
2	VOE8170389	2	2						Guide sleeve		
3	VOE20538056	1	1						Casing		
4	VOE20712545	1	1						Seal		
5	VOE13945444	20	20						Screw		

6	VOE13965180	7	7						Screw		
7	VOE1546528	2	2						Plug		
8	VOE1547252	2	2						Sealing ring		
9	VOE1546532	2	2						Lock		
10	VOE13972542	2	2						Six point socket screw		
11	VOE960631	1	1						Plug		
12	VOE7011996	1	1						Gasket		

Date: <b>2014/1/12</b>	Image id: <b>1018614</b>	Catalogue: <b>20076</b>	Model: <b>EC360B LC</b>
Brand: <b>Volvo</b>	Serial: <b>12152-15000, 30001-35000, 80001-85000</b>	Group/Section: <b>212/300</b>	Title: <b>Crankcase ventilation</b>



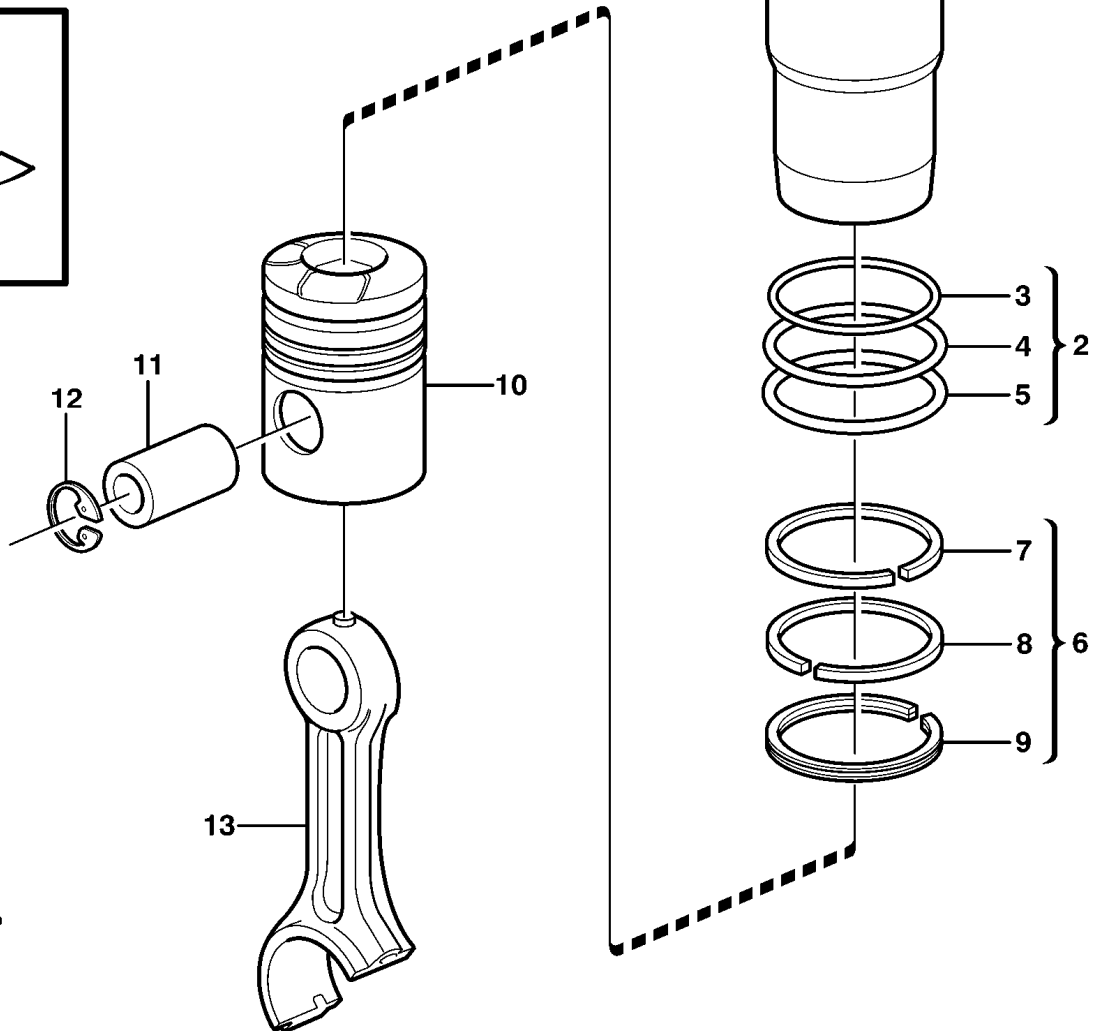
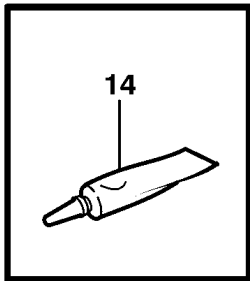
Section option	Kit	Option description
VOE8280231		Engine with Epa label EMISSION CERTIFICATED FROM EU&EPA
VOE8280232		Engine without Epa label INT AND KOREAN MARKET

Q1-Q5	Option	Option description	
Q1 8280231	VOE8280231	Engine with Epa label EMISSION CERTIFICATED FROM EU&EPA	
Q2 8280232	VOE8280232	Engine without Epa label INT AND KOREAN MARKET	

Pos	Part	Q1	Q2	Q3	Q4	Q5	PS	Kit	Description	Option(s)	Remark
1	VOE11127358	1	1						Flange pipe		
2	VOE3165097	1	1						Sealing ring		
3	VOE13945444	2	2						Screw		
4	VOE11128750	1	1						Hose		L = 100 MM
5	VOE943476	6	6						Hose clamp		ENG - 654902

5	VOE993963	6	6						Hose clamp		ENG 654903 -
6	VOE11423384	1	1						Pipe		
7	VOE11128756	2	2						Hose		
8		1	1						Valve Cover		See ref 214/100
9	VOE11033878	1	1						Oil trap		
10	VOE11423146	1	1						Attachment		
11	VOE420914	1	1						Tensioning Band		
12	VOE1545257	1	1						Screw		
13	VOE13965188	3	3						Screw		
14	VOE946440	2	2						Flange screw		
15	VOE983342	REQ	REQ						Hose		L = 520 MM
16	VOE943471	2	2						Hose clamp		ENG - 654902
16	VOE993960	2	2						Hose clamp		ENG 654903 -
17	VOE11423224	1	1						Tube		See ref 217/100
18	VOE13949997	2	2						Clamp		

Date: <b>2014/1/12</b>	Image id: <b>XA105</b>	Catalogue: <b>20076</b>	Model: <b>EC360B LC</b>
Brand: <b>Volvo</b>	Serial: <b>12152-15000, 30001-35000, 80001-85000</b>	Group/Section: <b>213/100</b>	Title: <b>Cylinder liner and piston</b>



Volvo Construction  
Equipment  
XA 105

Section option	Kit	Option description
VOE8280231		Engine with Epa label EMISSION CERTIFICATED FROM EU&EPA
VOE8280232		Engine without Epa label INT AND KOREAN MARKET

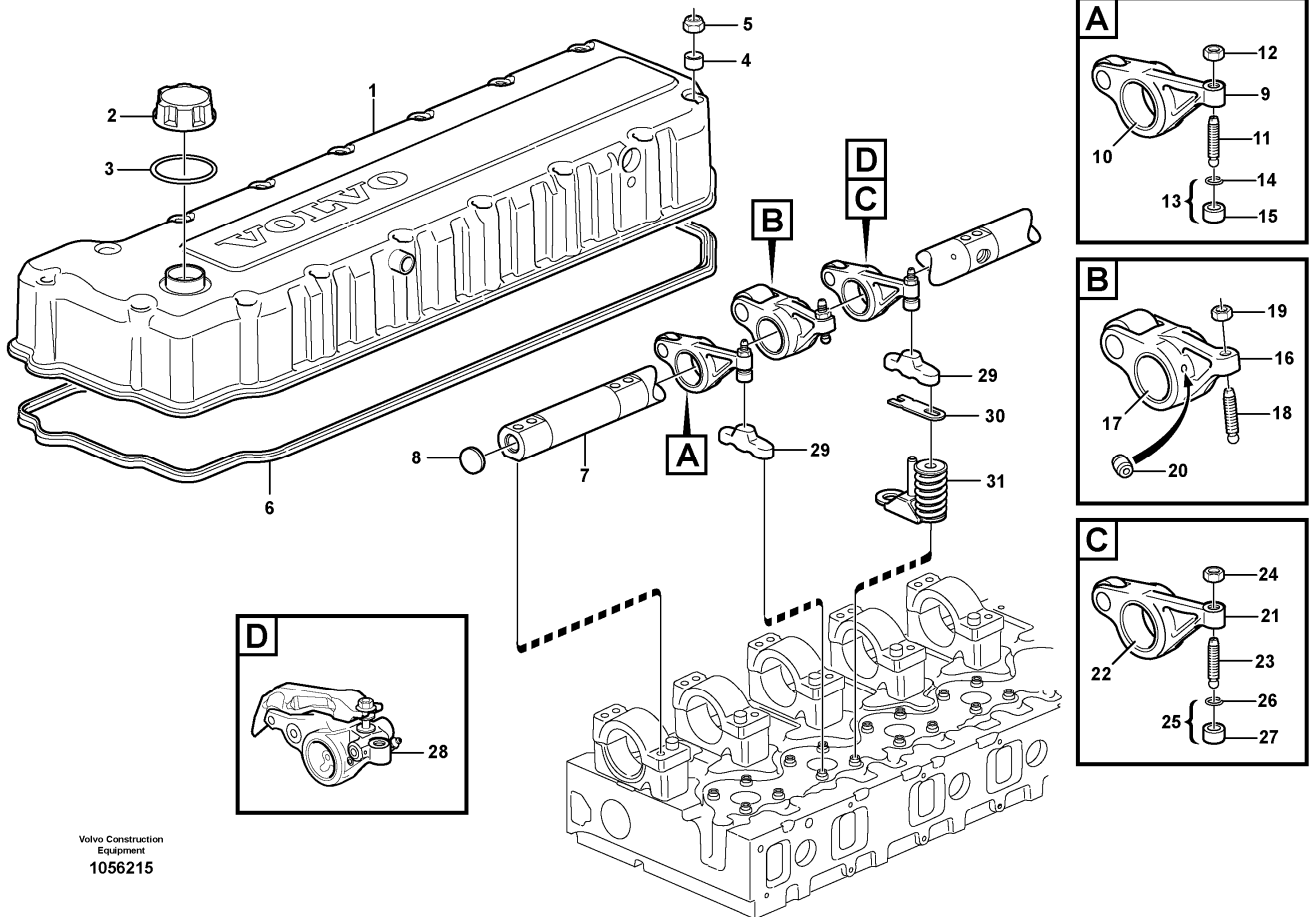
Q1-Q5	Option	Option description



Q1 8280231	VOE8280231	Engine with Epa label EMISSION CERTIFICATED FROM EU&EPA	
Q2 8280232	VOE8280232	Engine without Epa label INT AND KOREAN MARKET	

Pos	Part	Q1	Q2	Q3	Q4	Q5	PS	Kit	Description	Option(s)	Remark
	VOE11713964	6					SS		Cyl Liner Kit		
	VOE11714584		6						Cyl Liner Kit		
1	VOE20498544	6	6				NS		•Cylinder liner		
2	VOE270950	6	6						•Sealing kit		
3		6	6				NS		••Seal Ring		
4	VOE470190	12	12				NS		••Sealing ring		
5		6	6				NS		••Sealing ring		
6	VOE85103624	6					SS		•Piston ring kit		
	VOE85103174		6				SS		•Piston ring kit		
7		6	6				NS		••Compression ring		
8		6	6				NS		••Compression ring		LOW
9		6	6				NS		••Oil scraper ring		
10		6	6				NS		•Piston		
11	VOE3155115	6	6						•Gudgeon pin		
12	VOE914530	12	12						•Retaining ring		
13		6	6						Connecting rod		See ref 216/100
14		REQ	REQ				NS		Sealing Kit		

Date: <b>2014/1/12</b>	Image id: <b>1056215</b>	Catalogue: <b>20076</b>	Model: <b>EC360B LC</b>
Brand: <b>Volvo</b>	Serial: <b>12152-15000, 30001-35000, 80001-85000</b>	Group/Section: <b>214/100</b>	Title: <b>Valve mechanism</b>



Section option	Kit	Option description
VOE8188746		Engine D12D-G, TIER3, BASED TIER2
VOE8188747		Engine D12D-O
VOE8188756		Engine D12D TIER 3
VOE8188757		Engine D12D-P
VOE8188758		Engine D12DEBE2
VOE8188768		Engine D12DEBE3
VOE8280231		Engine with Epa label EMISSION CERTIFICATED FROM EU&EPA
VOE8280232		Engine without Epa label INT AND KOREAN MARKET

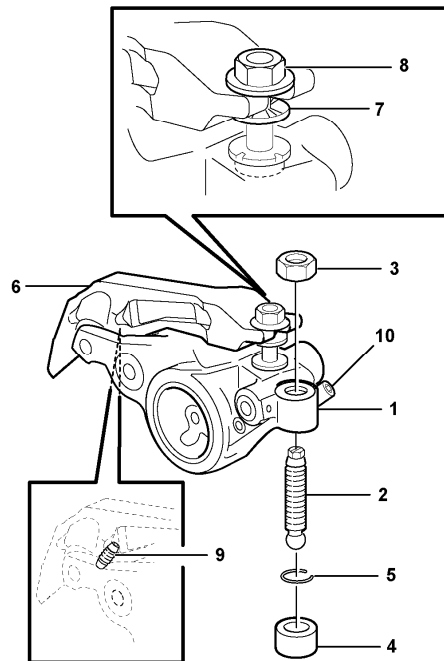
Q1-Q5	Option	Option description
Q1 ENG - 629701		
Q2 ENG 629702 - E PROD		
Q3 L PROD		

Pos	Part	Q1	Q2	Q3	Q4	Q5	PS	Kit	Description	Option(s)	Remark
	VOE21052622	1	1	1					Valve cover		(VOE20536911)
1	VOE20545681	1	1	1			NS		•Valve Cover		
2	VOE20807510	1	1	1					•Oil filler cap		
3	VOE20365079	1	1	1					••Gasket		
4	VOE3964604	16	16	16					Bushing		
5	VOE8148488	16	16	16					Lock nut		
6	VOE21123014	1	1	1					Sealing strip		(VOE8170116)
7	VOE8170158	1	1	1					Rocker arm shaft		
7	VOE8170159	1	1	1			OP		•Rocker arm shaft		
8	VOE980176	2	2	2					•Expansion plug		
9	VOE20738717	6							Rocker Arm		INLET
9	VOE21024794		6	6					Rocker arm		
10	VOE1546681	6	6	6					•Bushing		
	VOE1546046	6	6	6					•Bushing		See footnote 2624)
11	VOE1546458	6	6	6					•Ball stud		
12	VOE13946911	6	6	6					•Nut		
13	VOE20441753	6							•Ball socket		
13	VOE21054149		6	6					•Ball socket		
14	VOE944364	6	6	6					••O-ring		
15		6	6	6			NS		••Ball Socket		
16	VOE20738748	6							Rocker Arm		INJECTOR
16	VOE21023450		6						Rocker arm		
16	VOE21089229			6					Rocker arm		
17				6			NS		•Bushing		
17	VOE3155127	6	6				SS		•Bushing		
	VOE1546685	6	6						•Bushing		See footnote 2624)
18	VOE1546775	6	6	6					•Ball stud		
19	VOE1677396	6	6	6					•Hexagon nut		
20	VOE3964817	12	12	12					•Jet		
21	VOE21024789	6							Rocker arm		(VOE20738736) EXHAUST 8280232, 8188758, 8188746, 8188747
21	VOE21024789		6	6					Rocker arm		EXHAUST 8280232, 8188758, 8188746, 8188747
22	VOE1546681	6	6	6					•Bushing		
23	VOE1546458	6	6	6					•Ball stud		
24	VOE13946911	6	6	6					•Nut		
25	VOE20441753	6							•Ball socket		
25	VOE21054149		6	6					•Ball socket		
26	VOE944364	6	6	6					••O-ring		
27	VOE20441755	6					OP		••Ball socket		
27	VOE21054152		6	6			NS		••Ball Socket		

28		6	6	6					Rocker Arm		EXHAUST 8280231, 8188768, 8188757 214/200	8188756, See ref
29	VOE3183207	6	6	6					Valve cap			
29	VOE3183207	6	6	6					Valve cap			
30	VOE1547967	REQ							Shim		THICK = 2,00 MM	
30	VOE1547968	REQ							Shim		THICK = 2,05 MM	
30	VOE1547969	REQ							Shim		THICK = 2,10 MM	
30	VOE1547970	REQ							Shim		THICK = 2,15 MM	
30	VOE1547971	REQ							Shim		THICK = 2,20 MM	
30	VOE1547972	REQ							Shim		THICK = 2,25 MM	
30	VOE1547973	REQ							Shim		THICK = 2,30 MM	
30	VOE1547974	REQ							Shim		THICK = 2,35 MM	
30	VOE1547975	REQ							Shim		THICK = 2,40 MM	
30	VOE1547976	REQ							Shim		THICK = 2,45 MM	
30	VOE1547977	REQ							Shim		THICK = 2,50 MM	
30	VOE1547978	REQ							Shim		THICK = 2,55 MM	
30	VOE1547979	REQ							Shim		THICK = 2,60 MM	
30	VOE1547980	REQ							Shim		THICK = 2,65 MM	
30	VOE1547981	REQ							Shim		THICK = 2,70 MM	
30	VOE1547982	REQ							Shim		THICK = 2,75 MM	
30	VOE1547983	REQ							Shim		THICK = 2,80 MM	
30	VOE1547984	REQ							Shim		THICK = 2,85 MM	
30	VOE1677347	REQ							Shim		THICK = 2,90 MM	
30	VOE1677348	REQ							Shim		THICK = 2,95 MM	
30	VOE1677349	REQ							Shim		THICK = 3,00 MM	
30	VOE1677350	REQ							Shim		THICK = 3,05 MM	
30	VOE1677351	REQ							Shim		THICK = 3,10 MM	
30	VOE1677352	REQ							Shim		THICK = 3,15 MM	
30	VOE1677353	REQ							Shim		THICK = 3,20 MM	
30	VOE1677354	REQ							Shim		THICK = 3,25 MM	
30	VOE1677355	REQ							Shim		THICK = 3,30 MM	
30	VOE1677356	REQ							Shim		THICK = 3,35 MM	
30	VOE1677357	REQ							Shim		THICK = 3,40 MM	
30	VOE1677358	REQ							Shim		THICK = 3,45 MM	
30	VOE1677359	REQ							Shim		THICK = 3,50 MM	
30	VOE1677360	REQ							Shim		THICK = 3,55 MM	
30	VOE1677361	REQ							Shim		THICK = 3,60 MM	
30	VOE1677362	REQ							Shim		THICK = 3,65 MM	
30	VOE1677363	REQ							Shim		THICK = 3,70 MM	
30	VOE1677364	REQ							Shim		THICK = 3,75 MM	
30	VOE1677365	REQ							Shim		THICK = 3,80 MM	
30	VOE1677366	REQ							Shim		THICK = 3,85 MM	
30	VOE1677367	REQ							Shim		THICK = 3,90 MM	
30	VOE1677368	REQ							Shim		THICK = 3,95 MM	
31		6	6	6					Guide Pin		See ref 211/100	

2624) Not Shown

Date: <b>2014/1/12</b>	Image id: <b>1018621</b>	Catalogue: <b>20076</b>	Model: <b>EC360B LC</b>
Brand: <b>Volvo</b>	Serial: <b>12152-15000, 30001-35000, 80001-85000</b>	Group/Section: <b>214/200</b>	Title: <b>Rocker arm EXHAUST, 8280231, 8188768, 8188756, 8188757</b>



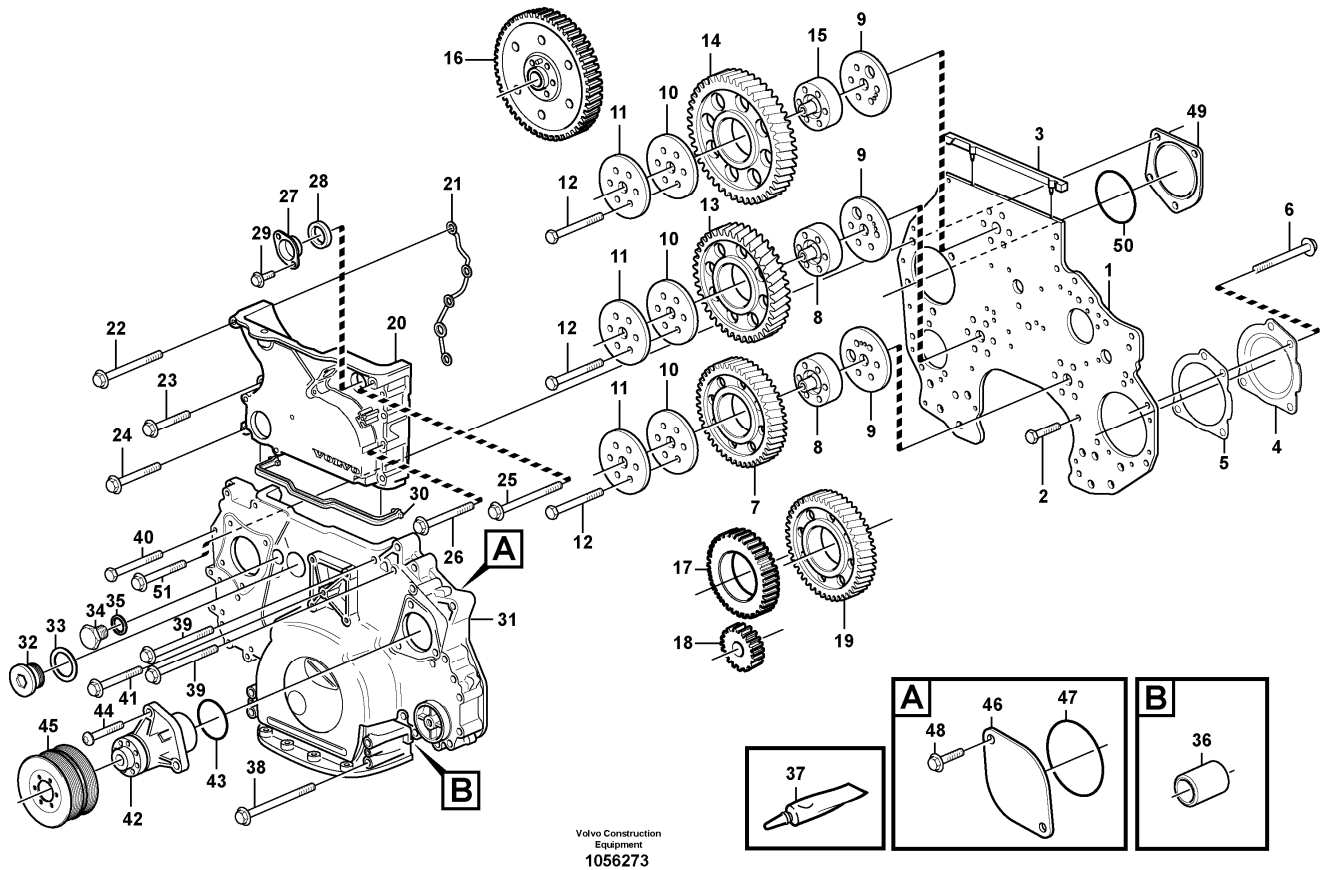
Volvo Construction  
Equipment  
1018621

Section option	Kit	Option description
VOE8188756		Engine D12D TIER 3
VOE8188757		Engine D12D-P
VOE8188768		Engine D12DEBE3
VOE8280231		Engine with Epa label EMISSION CERTIFICATED FROM EU&EPA

Q1-Q5	Option	Option description	
Q1	ENG - E PROD		
Q2	ENG L PROD - 646559		
Q3	ENG 646560 - 649003		
Q4	ENG 649004 -		

Pos	Part	Q1	Q2	Q3	Q4	Q5	PS	Kit	Description	Option(s)	Remark
	VOE20941606	1					SS		Rocker arm		
	VOE21243114		1						Rocker arm		(VOE21048998)
	VOE21084232			1					Rocker Arm		
	VOE21243114				1				Rocker arm		
1	VOE20526262	1					OP		•Rocker arm		
1	VOE21088680		1				NS		•Rocker Arm		
1	VOE21088675			1			NS		•Rocker Arm		
1	VOE21243110				1		NS		•Rocker Arm		
2	VOE1546458	1	1	1	1				•Ball stud		
3	VOE13946911	1	1	1	1				•Nut		
4	VOE20441753	1							•Ball socket		
4	VOE21054149		1	1	1				•Ball socket		
5	VOE944364	1	1	1	1				••O-ring		
6	VOE20525325	1	1				OP		•Rocker arm		
6	VOE21084235			1	1		NS		•Rocker Arm		
7	VOE20524954	1	1	1	1		OP		•Sleeve		
8	VOE20524958	1	1	1	1				•Nut		
9	VOE3964817	1	1	1					•Jet		
10	VOE20916960	1	1	1	1				•Nipple		

Date: <b>2014/1/12</b>	Image id: <b>1056273</b>	Catalogue: <b>20076</b>	Model: <b>EC360B LC</b>
Brand: <b>Volvo</b>	Serial: <b>12152-15000, 30001-35000, 80001-85000</b>	Group/Section: <b>215/100</b>	Title: <b>Timing gear casing and gears</b>



Section option	Kit	Option description
VOE8188746		Engine D12D-G, TIER3, BASED TIER2
VOE8188747		Engine D12D-O
VOE8188756		Engine D12D TIER 3
VOE8188757		Engine D12D-P
VOE8188758		Engine D12DEBE2
VOE8188768		Engine D12DEBE3
VOE8280231		Engine with Epa label EMISSION CERTIFICATED FROM EU&EPA
VOE8280232		Engine without Epa label INT AND KOREAN MARKET

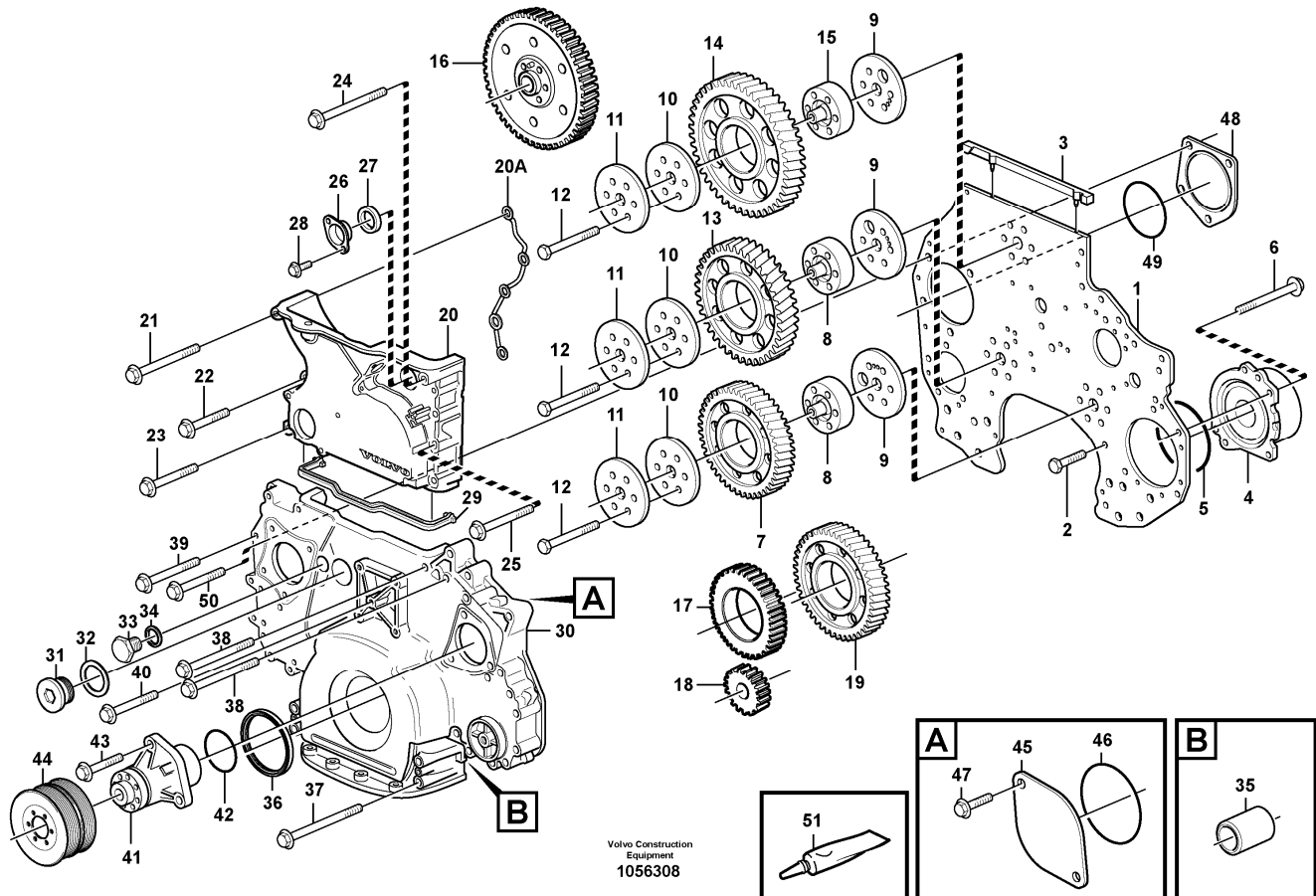
Q1-Q5	Option	Option description	
Q1 8280231	VOE8280231	Engine with Epa label EMISSION CERTIFICATED FROM EU&EPA	
Q2 8280232	VOE8280232	Engine without Epa label INT AND KOREAN MARKET	



Pos	Part	Q1	Q2	Q3	Q4	Q5	PS	Kit	Description	Option(s)	Remark
1	VOE8170561	1	1						Xmsn Plate		
2	VOE946470	17	17						Flange screw		
3	VOE20489341	1	1						Gasket		
4	VOE3828662	1	1						Cover		
5	VOE13949736	1	1						O-ring		
6	VOE965197	4	4						Flange screw		(VOE13965197)
7	VOE8170193	1	1						Idler gear		
8	VOE8170219	2	2						Hub		
9	VOE8170220	3	3						Thrust washer		
10	VOE3184865	3	3						Thrust washer		
11	VOE3184868	3	3						Bearing shield		
12	VOE1547886	18	18						Screw		
13	VOE8170195	1	1						Idler gear		
14	VOE8170197	1	1						Idler gear		
15	VOE8170199	1	1						Hub		
16		1	1						Gear		See ref 215/200
17		1	1						Idler gear		See ref 221/200
18		1	1						Gear		See ref 221/200
19		1	1				NS		Gear		See ref 262/100
20	VOE20713791	1	1						Tmg Gear Cover		
21	VOE3830184	1	1						Sealing		
22	VOE968553	1	1						Flange screw		L = 120 MM
23	VOE13965182	3	3						Screw		L = 80 MM
24	VOE13965183	1	1						Flange screw		L = 90 MM
25	VOE13965190	1	1						Screw		L = 100 MM
26	VOE13965223	1	1						Screw		L = 75 MM
	VOE13947790	2	2						Screw		L = 80 MM
27	VOE11129289	1	1						Adapter		
28	VOE20555696	1	1						•Sealing ring		
29	VOE946440	2	2						Flange screw		
30	VOE20714247	1	1						Seg moulding		
	VOE3835799	1	1						Tmg Gear Cover		
31	VOE3835798	1	1				NS		•Tmg gear cover		
32	VOE467367	1	1						•Plug		
33	VOE1556907	1	1						•Gasket		
34	VOE13960632	1	1						•Plug		
35	VOE948884	1	1						•Plane gasket		
36	VOE1547940	2	2						•Pin		
37	VOE11713514	REQ	REQ						Sealant		(VOE1161231)304 ML
	VOE1161277	REQ	REQ						Sealant		20 GRAM
38	VOE973096	4	4						Flange screw		L = 130 MM
39	VOE13947790	2	2						Screw		L = 80 MM
40	VOE955302	11	11						Hexagon screw		L = 60 MM
	VOE13965181	1	1						Screw		L = 70 MM
41	VOE13965183	1	1						Flange screw		L = 90 MM
42		1	1						Driving Device		See ref 215/175

43	VOE967344	1	1						O-ring		
44	VOE13946752	1	1						Screw		L = 35 MM
	VOE13965190	1	1						Screw		L = 100 MM
45		1	1						Pulley		See ref 263/100
46	VOE3828400	1	1						Cover		
47	VOE967344	1	1						O-ring		
48	VOE946441	2	2						Flange screw		
49	VOE1556208	1	1						Cover		
50	VOE13948888	1	1						O-ring		
51	VOE973967	4	4						Flange screw		

Date: <b>2014/1/12</b>	Image id: <b>1056308</b>	Catalogue: <b>20076</b>	Model: <b>EC360B LC</b>
Brand: <b>Volvo</b>	Serial: <b>12152-15000, 30001-35000, 80001-85000</b>	Group/Section: <b>215/150</b>	Title: <b>Timing gear casing and gears ENG 645019 -</b>



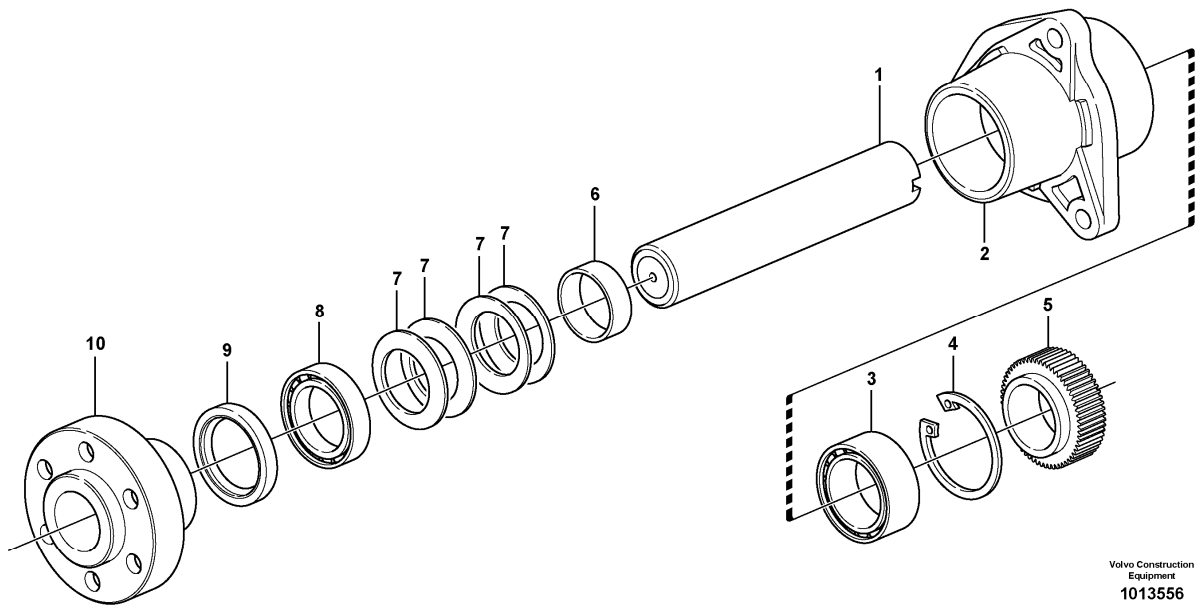
Section option	Kit	Option description
VOE8188746		Engine D12D-G, TIER3, BASED TIER2
VOE8188747		Engine D12D-O
VOE8188756		Engine D12D TIER 3
VOE8188757		Engine D12D-P
VOE8188758		Engine D12DEBE2
VOE8188768		Engine D12DEBE3
VOE8280231		Engine with Epa label EMISSION CERTIFICATED FROM EU&EPA
VOE8280232		Engine without Epa label INT AND KOREAN MARKET

Q1-Q5	Option	Option description
Q1 ENG - 656061		
Q2 ENG 656062 -		

Pos	Part	Q1	Q2	Q3	Q4	Q5	PS	Kit	Description	Option(s)	Remark
1	VOE8170561	1	1						Xmsn Plate		
2	VOE946470	17	17						Flange screw		
3	VOE20489341	1	1						Gasket		
4	VOE11128611	1	1						Bearing housing		
5	VOE13949736	1	1						O-ring		
6	VOE965197	4	4						Flange screw		(VOE13965197)
7	VOE8170193	1	1						Idler gear		
8	VOE8170219	2	2						Hub		
9	VOE8170220	3	3						Thrust washer		
10	VOE3184865	3	3						Thrust washer		
11	VOE3184868	3	3						Bearing shield		
12	VOE1547886	18	18						Screw		
13	VOE8170195	1	1						Idler gear		
14	VOE8170197	1	1						Idler gear		
15	VOE8170199	1	1						Hub		
16		1	1						Gear		See ref 215/200
17		1	1						Idler gear		See ref 221/200
18		1	1						Gear		See ref 221/200
19		1	1				NS		Gear		See ref 262/100
20	VOE20713791	1	1						Tmg Gear Cover		
20A	VOE3830184	1	1						Sealing		
21	VOE968553	1	1						Flange screw		L = 115 MM
22	VOE13965182	3	3						Screw		L = 80 MM
23	VOE13965183	1	1						Flange screw		L = 90 MM
24	VOE13965190	1	1						Screw		L = 100 MM
25	VOE13965223	1	1						Screw		L = 75 MM
25	VOE13947790	2	2						Screw		L = 80 MM
26	VOE3964803	1	1						Plug		
27	VOE20555696	1	1						Sealing ring		
28	VOE946440	2	2						Flange screw		
29	VOE20714247	1	1						Seg moulding		
30	VOE21122283	1					SS		Timing gear cover		
30	VOE21424752		1						Timing gear cover		
30	VOE21206533	1	1						•Timing gear cover		
30	VOE3595444	1	1				NS		••Tmg gear cover		
31	VOE467367	1	1						••Plug		
32	VOE1556907	1	1						••Gasket		
33	VOE13960632	1	1						••Plug		
34	VOE948884	1	1						••Plane gasket		
35	VOE1547940	2	2						••Pin		
36	VOE85108423	1							•Crankshaft seal		
36	VOE21081526		1				NS		•Crankshaft Seal		
37	VOE973096	4	4						Flange screw		L = 130 MM
38	VOE13947790	2	2						Screw		L = 80 MM
39	VOE955302	11	11						Hexagon screw		L = 60 MM
39	VOE13965181	1	1						Screw		L = 70 MM

40	VOE13965183	1	1						Flange screw		L = 90 MM
41		1	1						Driving Device		See ref 215/175
42	VOE967344	1	1						O-ring		
43	VOE13946752	1	1						Screw		L = 35 MM
43	VOE13965190	1	1						Screw		L = 100 MM
44		1	1						Pulley		See ref 263/100
45	VOE3828400	1	1						Cover		
46	VOE967344	1	1						O-ring		
47	VOE946441	2	2						Flange screw		
48	VOE1556208	1	1						Cover		
49	VOE13948888	1	1						O-ring		
50	VOE973967	4	4						Flange screw		
51	VOE11713514	REQ	REQ						Sealant		(VOE1161231)
51	VOE1161277	REQ	REQ						Sealant		

Date: <b>2014/1/12</b>	Image id: <b>1013556</b>	Catalogue: <b>20076</b>	Model: <b>EC360B LC</b>
Brand: <b>Volvo</b>	Serial: <b>12152-15000, 30001-35000, 80001-85000</b>	Group/Section: <b>215/175</b>	Title: <b>Driving device</b>

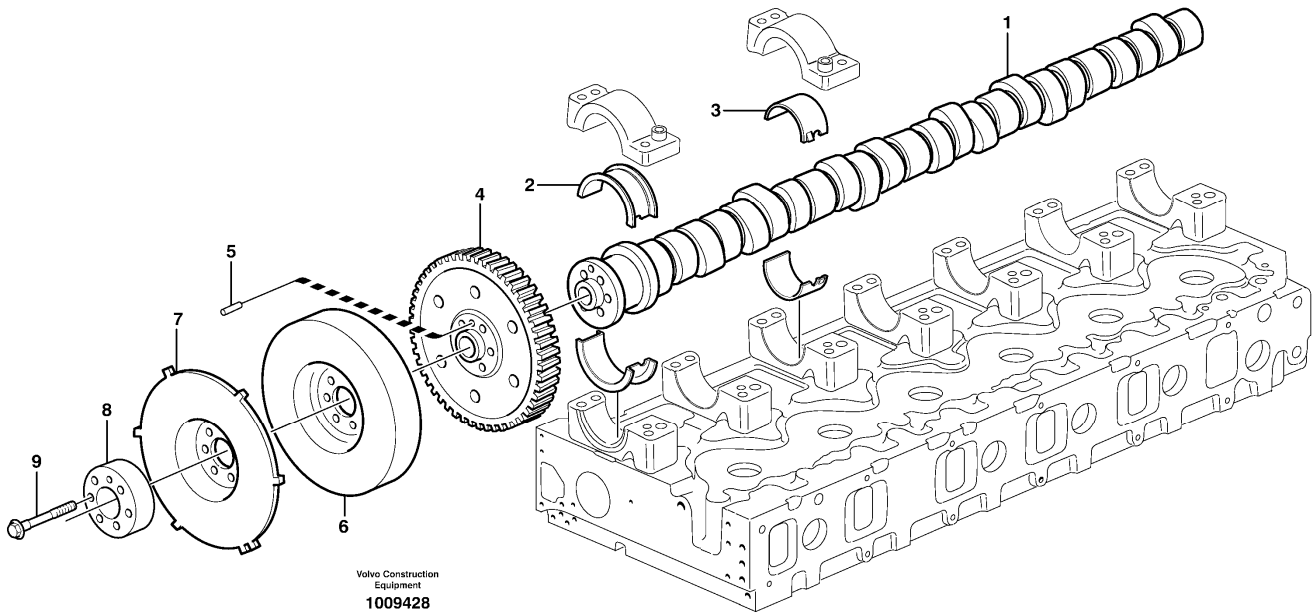


Section option	Kit	Option description
VOE8188746		Engine D12D-G, TIER3, BASED TIER2
VOE8188747		Engine D12D-O
VOE8188756		Engine D12D TIER 3
VOE8188757		Engine D12D-P
VOE8188758		Engine D12DEBE2
VOE8188768		Engine D12DEBE3
VOE8280231		Engine with Epa label EMISSION CERTIFICATED FROM EU&EPA
VOE8280232		Engine without Epa label INT AND KOREAN MARKET

Pos	Part	Q1	Q2	Q3	Q4	Q5	PS	Kit	Description	Option(s)	Remark
	VOE8193986	1							Driving device		
1	VOE3184821	1					NS		•Shaft		
2	VOE8170667	1					OP		•Bearing housing		

3	VOE471499	1							•Ball bearing		
4	VOE914532	1							•Retaining ring		
5	VOE8170240	1					OP		•Gear		
6	VOE8193994	1							•Spacer sleeve		
7	VOE1677558	4					OP		•Disc spring		
8	VOE7011013	1							•Bearing		
9	VOE1546480	1							•Sealing ring		
10	VOE1547846	1					OP		•Hub		

Date: <b>2014/1/12</b>	Image id: <b>1009428</b>	Catalogue: <b>20076</b>	Model: <b>EC360B LC</b>
Brand: <b>Volvo</b>	Serial: <b>12152-15000, 30001-35000, 80001-85000</b>	Group/Section: <b>215/200</b>	Title: <b>Camshaft</b>



Section option	Kit	Option description
VOE8188746		Engine D12D-G, TIER3, BASED TIER2
VOE8188747		Engine D12D-O
VOE8188756		Engine D12D TIER 3
VOE8188757		Engine D12D-P
VOE8188758		Engine D12DEBE2
VOE8188768		Engine D12DEBE3
VOE8280231		Engine with Epa label EMISSION CERTIFICATED FROM EU&EPA
VOE8280232		Engine without Epa label INT AND KOREAN MARKET

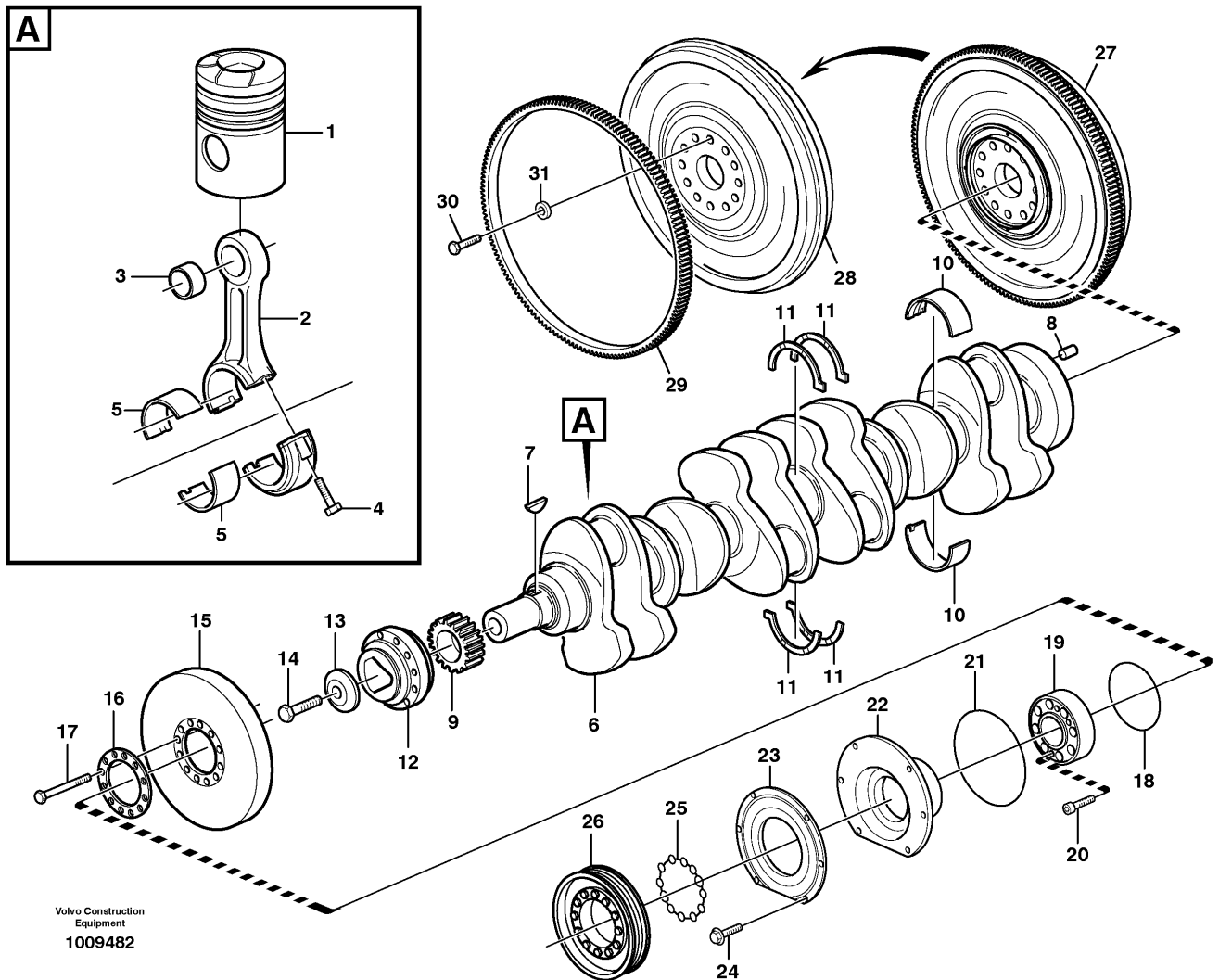
Q1-Q5	Option	Option description	
Q1 8280231	VOE8280231	Engine with Epa label EMISSION CERTIFICATED FROM EU&EPA	
Q2 8280232	VOE8280232	Engine without Epa label INT AND KOREAN MARKET	

Pos	Part	Q1	Q2	Q3	Q4	Q5	PS	Kit	Description	Option(s)	Remark
1	VOE20576909	1							Camshaft		
	VOE3165423		1						Camshaft		
2	VOE20503200	1	1						Bearing shell kit		
3	VOE276630	6	6						Bearing shell kit		STD
	VOE1677212	12	12						•Bearing shell		STD
	VOE1677551	12	12						Bearing shell		0,25 US



4	VOE20450344	1	1						Gear		
5	VOE950572	1	1						•Grooving tool		
6	VOE8170954	1	1						Vibration damper		
7	VOE3155166	1	1						Tooth Wheel		
8	VOE20440991	1	1						Spacer		
9	VOE20441079	6	6						Flange screw		

Date: <b>2014/1/12</b>	Image id: <b>1009482</b>	Catalogue: <b>20076</b>	Model: <b>EC360B LC</b>
Brand: <b>Volvo</b>	Serial: <b>12152-15000, 30001-35000, 80001-85000</b>	Group/Section: <b>216/100</b>	Title: <b>Crankshaft and related parts</b>



Section option	Kit	Option description
VOE8188747		Engine D12D-O
VOE8188757		Engine D12D-P
VOE8280231		Engine with Epa label EMISSION CERTIFICATED FROM EU&EPA
VOE8280232		Engine without Epa label INT AND KOREAN MARKET

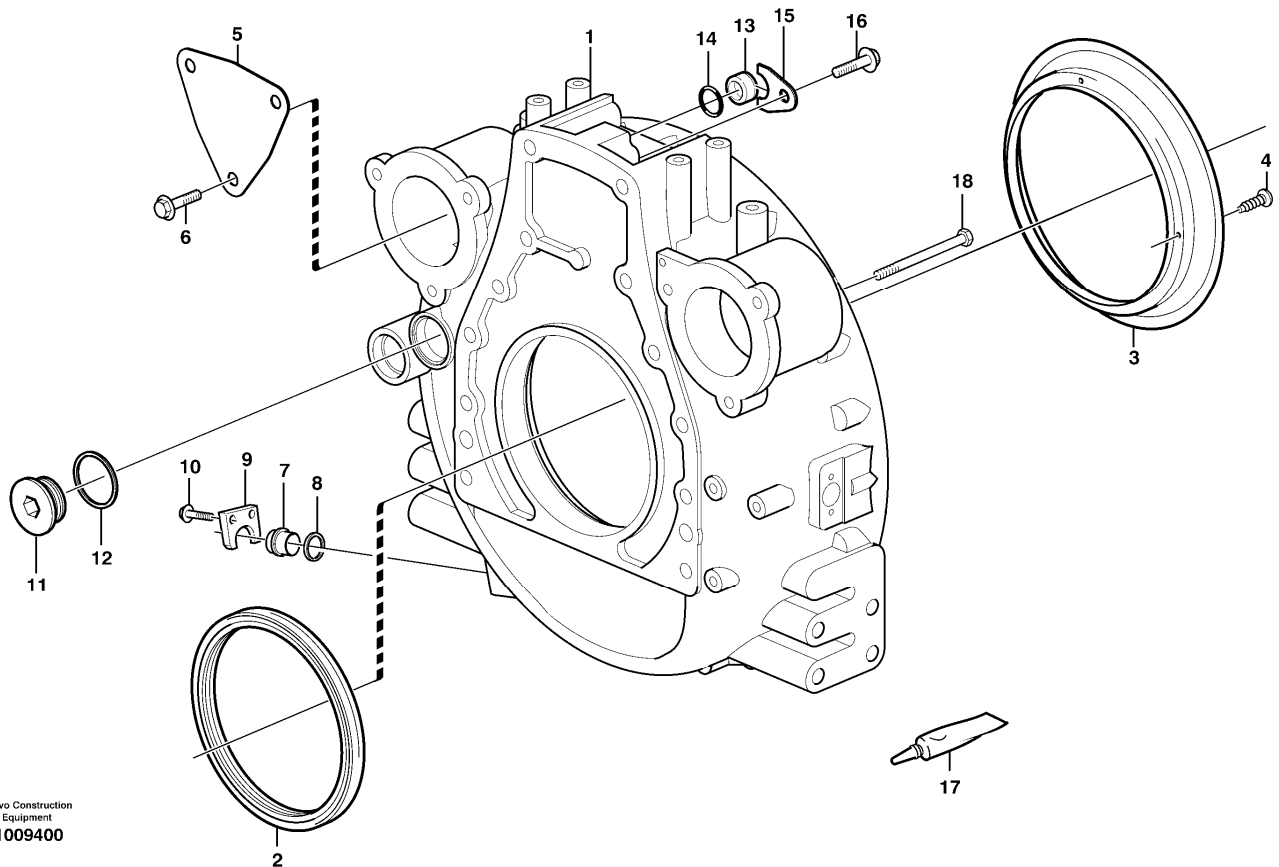
Q1-Q5	Option	Option description	
Q1 8280231	VOE8280231	Engine with Epa label EMISSION CERTIFICATED FROM EU&EPA	
Q2 8280232	VOE8280232	Engine without Epa label INT AND KOREAN MARKET	

Pos	Part	Q1	Q2	Q3	Q4	Q5	PS	Kit	Description	Option(s)	Remark
-----	------	----	----	----	----	----	----	-----	-------------	-----------	--------

1		6	6					Piston		See ref 213/100
	VOE20412200	6	6					Connecting rod		
2	VOE20412201	6	6				NS	•Connecting rod		
3	VOE20381185	6	6					•Bushing		
4	VOE1543035	12	12					•Screw		
5	VOE276134	REQ	REQ					Big End Brg Kit		STD
	VOE276135	REQ	REQ					Big End Brg Kit		0,25 MM U SZ
	VOE276136	REQ	REQ					Big End Brg Kit		0,50 MM U SZ
	VOE276137	REQ	REQ					Big End Brg Kit		0,75 MM U SZ
	VOE276334	REQ	REQ					Big End Brg Kit		1,00 MM U SZ
	VOE276349	REQ	REQ					Big End Brg Kit		1,25 MM U SZ
	VOE20533089	1	1					Crankshaft		
	VOE20533073	1	1				NS	•Crankshaft		
6	VOE20533089	1	1					••Crankshaft		(VOE20533088)
7	VOE422253	1	1					••Key		
8	VOE950644	1	1					••Pin		
9	VOE8170192	1	1					•Gear		
10	VOE20530916	7	7					Mn Bearing Kit		STD
	VOE276616	7	7					Main bearing kit		0,25 MM U SZ
	VOE276617	7	7					Main bearing kit		0,50 MM U SZ
	VOE276618	7	7					Main bearing kit		0,75 MM U SZ
	VOE276619	7	7					Main bearing kit		1,00 MM U SZ
	VOE20578628	7	7					Main Bearing		(VOE276620)1,25 MM U SZ
11	VOE3093651	1	1					Thrust washer kit		STD
	VOE3093652	1	1					Thrust washer kit		0,1 MM O SZ
	VOE3093653	1	1					Thrust washer kit		0,2 MM O SZ
12	VOE11707317	1	1					Hub		(VOE1549407)
13	VOE422124	1	1					Washer		
14	VOE1543316	1	1					Screw		
15	VOE8193930	1	1					Vibration damper		
16	VOE8193962	1	1					Washer		
17	VOE13970887	10	10					Hexagon screw		
18	VOE13945512	1	1					O-ring		
19	VOE3826656	1	1					Companion flange		ENG - 631188
19	VOE21243814	1	1					Companion flange		(VOE3595228)ENG 631189 -
20	VOE13974111	2	2					Allen Hd Screw		
21	VOE3832906	1	1					O-ring		
22	VOE3832863	1	1					Sealing ring		
23	VOE3827504	1	1					Dust cover		
24	VOE946440	6	6					Flange screw		
25	VOE3827530	1	1					Sealing ring		
26	VOE11127304	1	1					Pulley		
27	VOE11127311	1	1					Flywheel		
28	VOE11127305	1	1				NS	•Flywheel		
29	VOE8193939	1	1					•Gear ring		

30	VOE1677893	14	14						Screw		
31	VOE1543563	14	14						Washer		

Date: <b>2014/1/12</b>	Image id: <b>1009400</b>	Catalogue: <b>20076</b>	Model: <b>EC360B LC</b>
Brand: <b>Volvo</b>	Serial: <b>12152-15000, 30001-35000, 80001-85000</b>	Group/Section: <b>216/200</b>	Title: <b>Flywheel housing</b>



Section option	Kit	Option description
VOE8280231		Engine with Epa label EMISSION CERTIFICATED FROM EU&EPA
VOE8280232		Engine without Epa label INT AND KOREAN MARKET

Q1-Q5	Option	Option description	
Q1 8280231	VOE8280231	Engine with Epa label EMISSION CERTIFICATED FROM EU&EPA	
Q2 8280232	VOE8280232	Engine without Epa label INT AND KOREAN MARKET	

Pos	Part	Q1	Q2	Q3	Q4	Q5	PS	Kit	Description	Option(s)	Remark
	VOE11030273	1	1						Flywheel housing		
1	VOE11030245	1	1				OP		•Flywheel housing		
2	VOE1543896	1	1						•Sealing ring		
3	VOE11030271	1	1						•Oil deflector ring		
4	VOE13905650	4	4						•Drive screw		
5	VOE849135	1	1				OP		Cover		

Thank you so much for reading.  
Please click the “Buy Now!”  
button below to download the  
complete manual.



After you pay.

You can download the most  
perfect and complete manual in  
the world immediately.

Our support email:

[ebooklibonline@outlook.com](mailto:ebooklibonline@outlook.com)