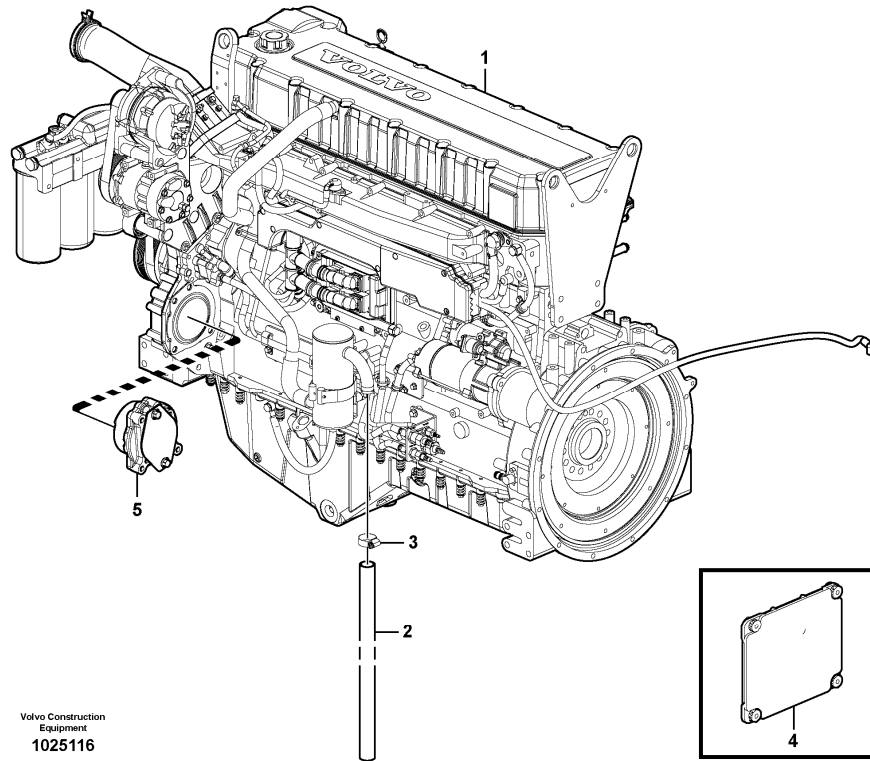


Date: 2014/1/14	Image id: 1025116	Catalogue: 20101	Model: EC360C L
Brand: Volvo	Serial: 110001-115000, 140001-145000	Group/Section: 210/100	Title: Engine



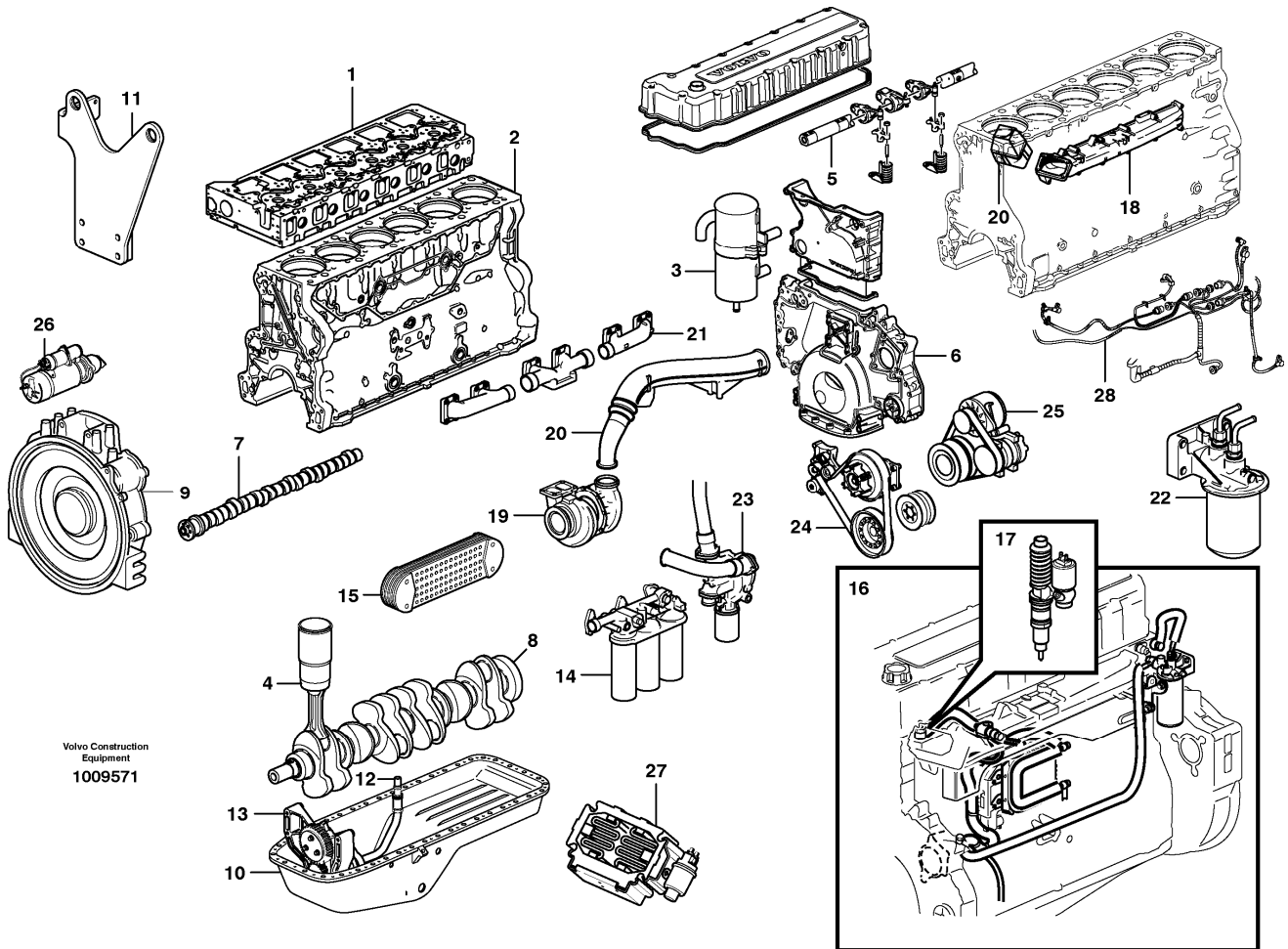
Section option	Kit	Option description
VOE8280231		Engine with Epa label EMISSION CERTIFICATED FROM EU&EPA
VOE8280890	VOE14564601	Leak-off line for slope-rotator on basic machine ON/OFF
VOE8280891	VOE14564603	Leak-off line for slope-rotator on basic machine PROPORTIONAL CONTROL

Q1-Q5	Option	Option description	
Q1 8280231	VOE8280231	Engine with Epa label EMISSION CERTIFICATED FROM EU&EPA	
Q2 8280890	VOE8280890	Leak-off line for slope-rotator on basic machine ON/OFF	
Q3 8280891	VOE8280891	Leak-off line for slope-rotator on basic machine PROPORTIONAL CONTROL	

Pos	Part	Q1	Q2	Q3	Q4	Q5	PS	Kit	Description	Option(s)	Remark
1		1							Engine		See ref 210/200
2	VOE14881131	1							Hose		
3	SA9312-10175	1							Clamp		

4	VOE20814604	1						ECU		
5			1	1			NS	Power Take-off		

Date: 2014/1/14	Image id: 1009571	Catalogue: 20101	Model: EC360C L
Brand: Volvo	Serial: 110001-115000, 140001-145000	Group/Section: 210/200	Title: Engine 8280231



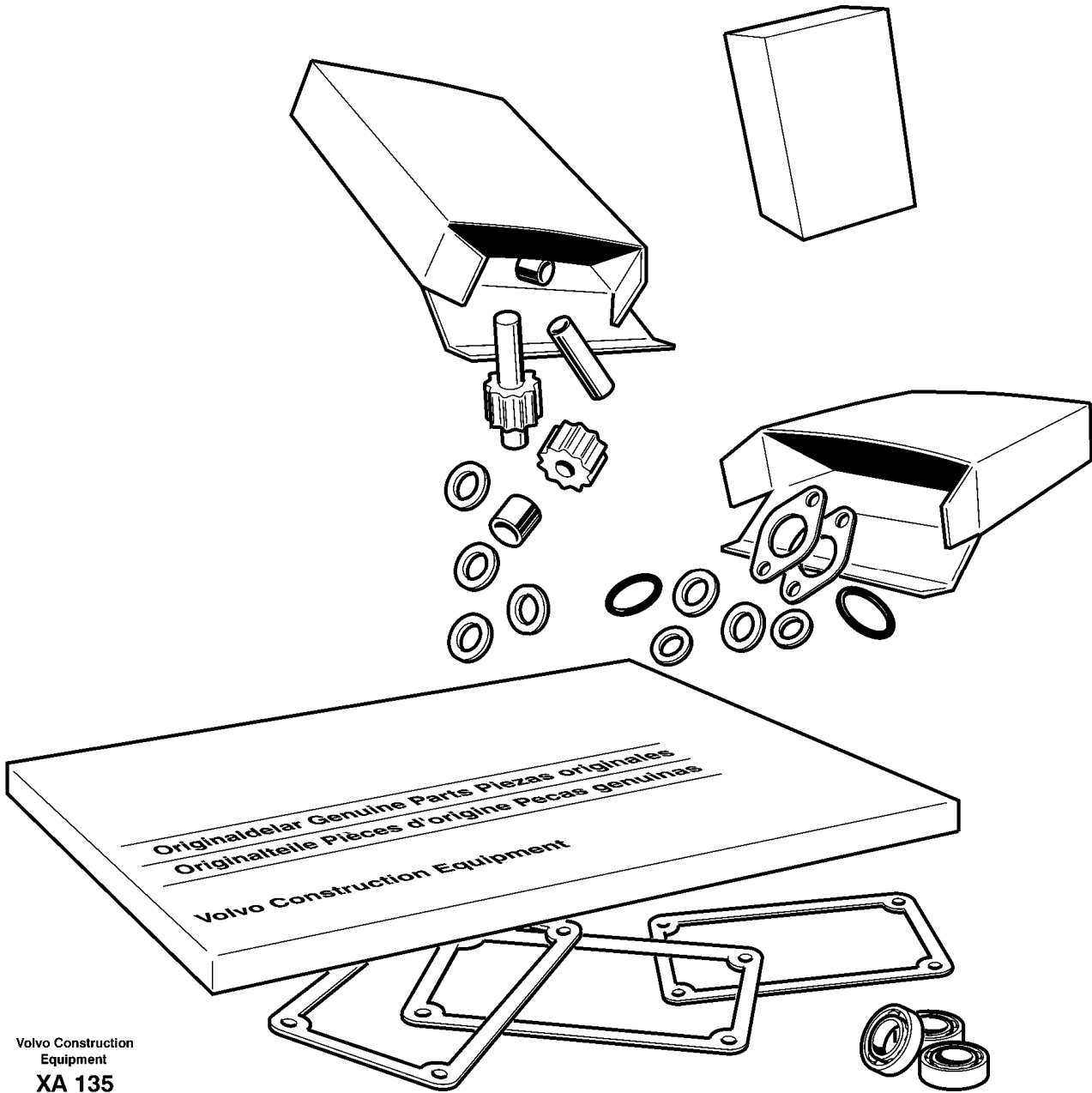
Section option	Kit	Option description
VOE8280231		Engine with Epa label EMISSION CERTIFICATED FROM EU&EPA

Q1-Q5	Option	Option description	
Q1 8188768	VOE8188768	Engine D12DEBE3	
Q2 8188756	VOE8188756	Engine D12D TIER 3	
Q3 8188757	VOE8188757	Engine D12D-P	

Pos	Part	Q1	Q2	Q3	Q4	Q5	PS	Kit	Description	Option(s)	Remark
1	VOE8188768	1					SS		Engine		S/N - 110411 KOR S/N - 140011 USA
	VOE8188756		1				SS		Engine		D12D-H S/N 110412 - 110481 KOR S/N 140012 - 140044 USA

	VOE8188757			1					Engine		D12D-P S/N 110482 - KOR S/N 140045 - USA
1		1	1	1					•Cylinder head		See ref 211/100
2		1	1	1					•Cylinder block		See ref 212/100
3		1	1	1					•Crankcase ventilation		See ref 212/300
4		6	6	6					•Cylinder liner		See ref 213/100
5		1	1	1					•Valve mechanism		See ref 214/100
6		1	1	1					•Timing gear casing		See ref 215/100
7		1	1	1					•Camshaft		See ref 215/200
8		1	1	1					•Crankshaft		See ref 216/100
9		1	1	1					•Flywheel housing		See ref 216/200
10		1	1	1					•Oil sump		See ref 217/100
11		1	1	1					•Engine mounting		See ref 218/200
12		1	1	1					•Lubricating system		See ref 221/100
13		1	1	1					••Oil pump		See ref 221/200
14		1	1	1					•Oil filter		See ref 222/100
15		1	1	1					•Oil cooler		See ref 223/100
16		1	1	1					•Fuel pipes		See ref 235/200
17		1	1	1					••Injector		See ref 237/300
18		1	1	1					•Inlet pipe		See ref 251/100
19		1	1	1					•Turbocharger		See ref 255/100
20		1	1	1					•Charge air cooler		See ref 258/100
21		1	1	1					•Exhaust pipe		See ref 251/100
22		1	1	1					•Coolant filter		See ref 261/700
23		1	1	1					•Water pump and thermo		See ref 262/100
24		1	1	1					•Belt transmission		See ref 263/100
25		1	1	1					•Alternator with fitti		See ref 321/100
26		1	1	1					•Starter motor		See ref 331/100
27		1	1	1					•Starter Element		See ref 333/200
28		1	1	1					•Cable harness, ECU		See ref 371/300

Date: 2014/1/14	Image id: XA135	Catalogue: 20101	Model: EC360C L
Brand: Volvo	Serial: 110001-115000, 140001-145000	Group/Section: 210/300	Title: Repair kits for engine

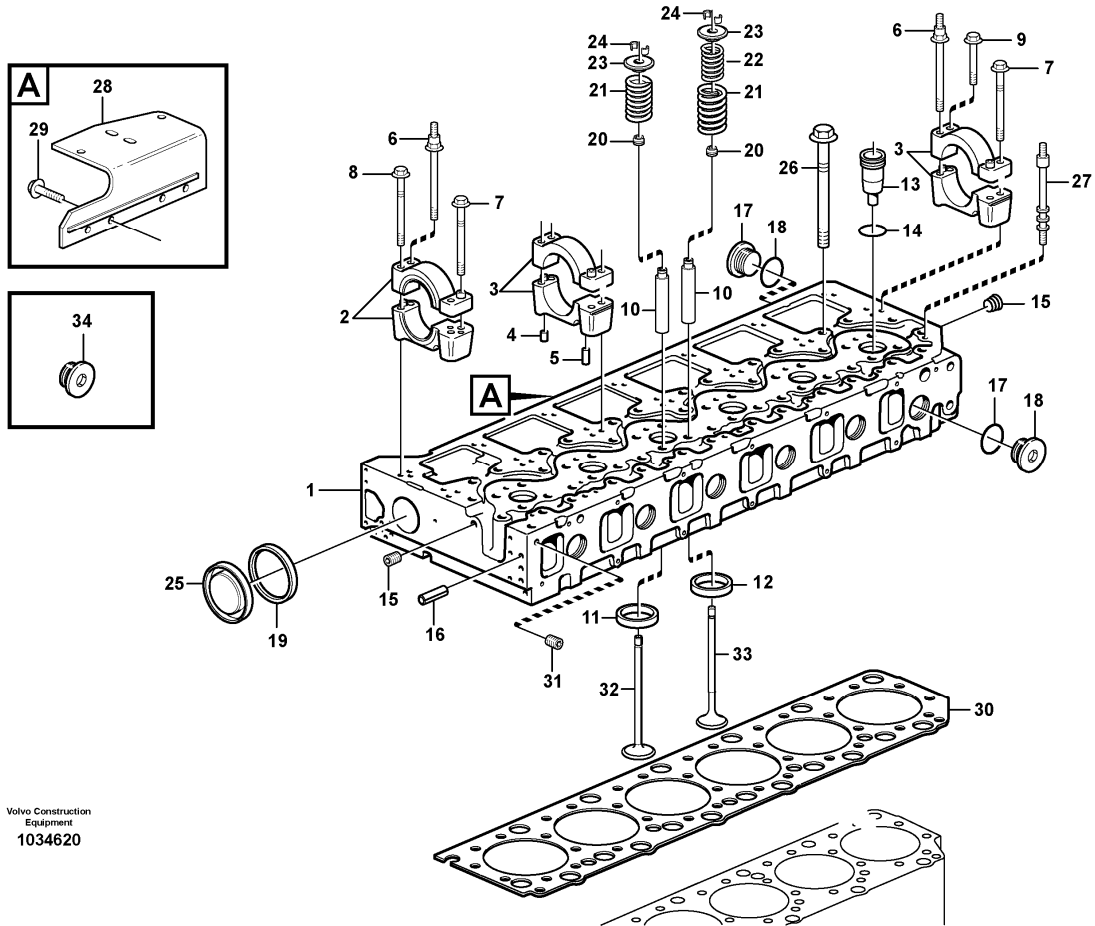


Section option	Kit	Option description
VOE8280231		Engine with Epa label EMISSION CERTIFICATED FROM EU&EPA

Q1-Q5	Option	Option description
Q1 8280231	VOE8280231	Engine with Epa label EMISSION CERTIFICATED FROM EU&EPA

Pos	Part	Q1	Q2	Q3	Q4	Q5	PS	Kit	Description	Option(s)	Remark
	VOE3099100	1							Gasket kit		FOR CYLINDER HEAD See ref 211/100
	VOE11712686	6							Cylinder liner kit		See ref 213/100
	VOE270950	6							•Sealing kit		
	VOE276949	6							•Piston ring kit		
	VOE276630	1							Bearing shell kit		CAMSHAFT See ref 215/200
		6							Big end brg kit		See ref 216/100
		7							Mn bearing kit		See ref 216/100
		1							Thrust washer kit		See ref 216/100
	VOE11127584	1							Gasket		OIL PAN See ref 217/100
	VOE3092642	1							De-carbonizing kit		FOR DECARBONIZING
	VOE3964604	16							•Bushing		
	VOE859171	24							•Valve seal		
	VOE21070576	1							•Sealing strip		(VOE8170116)
	VOE1544710	2							•Sealing ring		
	VOE1547252	1							•Sealing ring		
	VOE1547254	2							•Sealing ring		
	VOE1636309	1							•Sealing ring		
	VOE1677370	2							•Sealing ring		
	VOE3165097	1							•Sealing ring		
	VOE20714247	1							•Seg moulding		(VOE8170452)
	VOE7011996	7							•Gasket		
	VOE8149301	1							•Gasket		
	VOE8170473	1							•Gasket		
	VOE8170519	1							•Gasket		
	VOE1675841	1							•Gasket		
	VOE949659	12							•O-ring		
	VOE3165747	6							•O-ring		
	VOE13949656	1							•O-ring		

Date: 2014/1/14	Image id: 1034620	Catalogue: 20101	Model: EC360C L
Brand: Volvo	Serial: 110001-115000, 140001-145000	Group/Section: 211/100	Title: Cylinder head



Volvo Construction
Equipment
1034620

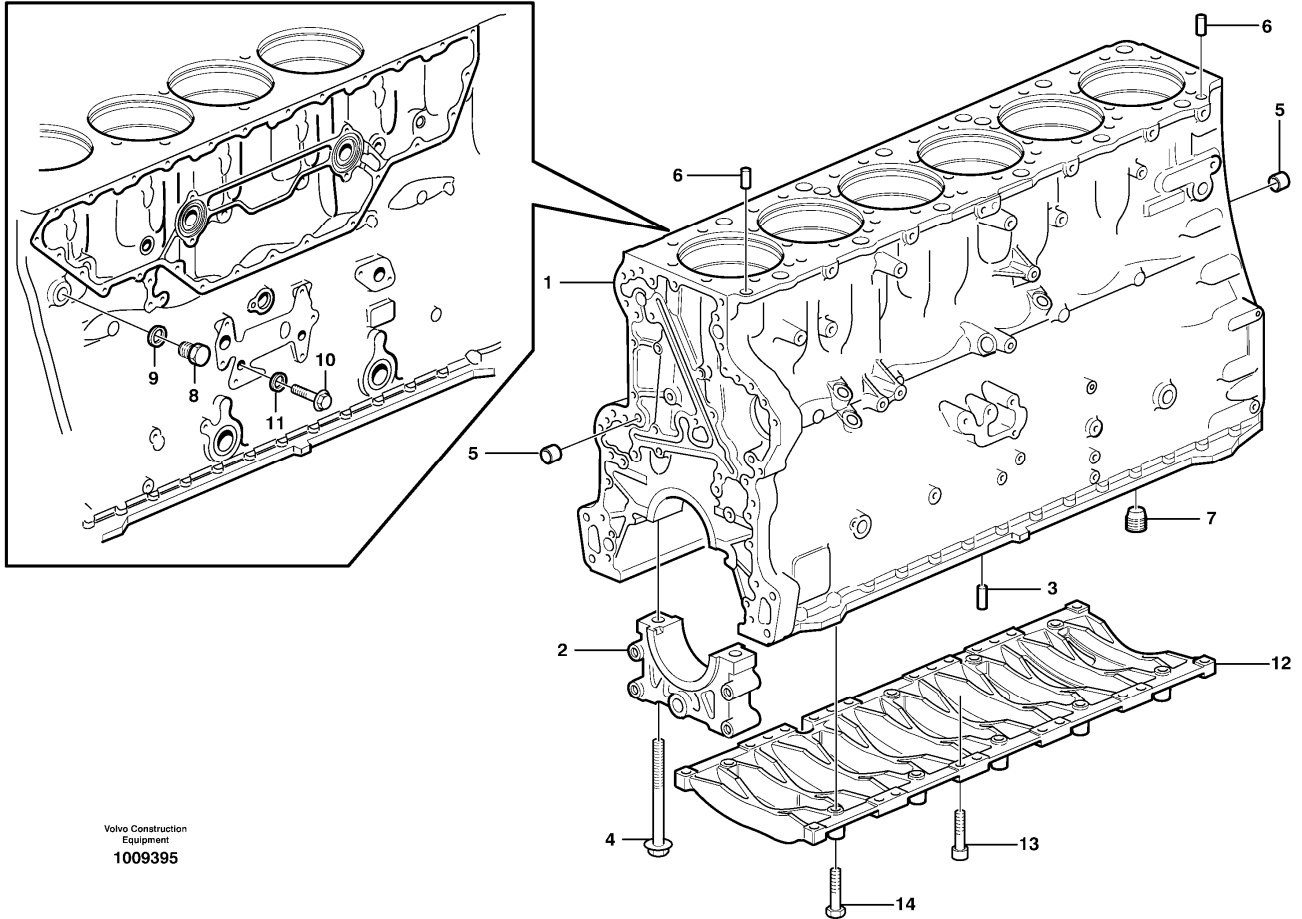
Section option	Kit	Option description
VOE8280231		Engine with Epa label EMISSION CERTIFICATED FROM EU&EPA

Q1-Q5	Option	Option description
Q1 8280231	VOE8280231	Engine with Epa label EMISSION CERTIFICATED FROM EU&EPA

Pos	Part	Q1	Q2	Q3	Q4	Q5	PS	Kit	Description	Option(s)	Remark
1	VOE20560799	1					SS		Cylinder head		
2	VOE3165130	1							•Bearing housing		
3	VOE3165133	6							•Bearing housing		
4	VOE950542	7							••Pin		
5	VOE950562	14							••Pin		
	VOE1546484	7							••Sleeve		
6	VOE8170626	7							•Stud		
7	VOE1547889	14							•Screw		

8	VOE1547888	1							•Screw		
9	VOE1677283	6							•Screw		
10	VOE20817648	24							•Valve guide		(VOE20460636)
11	VOE20459329	12							•Valve seat		STD, INLET
12	VOE20412798	12							•Valve seat		STD, EXHAUST
13	VOE3183368	6							•Sleeve		
14	VOE20536487	6							•O-ring		
15	VOE13968062	2							•Plug		
16	VOE422426	1							•Pin		
17	VOE3155171	1							•Plug		
18	VOE949659	1							••O-ring		
19	VOE1544710	1							•Sealing ring		
20	VOE859171	24							•Valve seal		
21	VOE3183210	24							•Valve spring		ENG - 647540
21	VOE21310068	24							•Valve spring		ENG 647541 -
22	VOE3183211	12							•Valve spring		
23	VOE1546487	24							•Valve spring washer		
24	VOE1677875	48							•Valve sleeve		
25	VOE8170553	1							•Cap plug		
26	VOE1547419	38							Screw		
27	VOE8148863	9							Stud		
28	VOE11030431	1					OP		Bracket		
29	VOE946329	4							Flange screw		
30	VOE3099100	1							Gasket kit		
31	VOE968060	1							Plug		
32	VOE20459326	12							Inlet valve		
33	VOE20441486	12							Exhaust Valve		
34	VOE990830	2							Plug		

Date: 2014/1/14	Image id: 1009395	Catalogue: 20101	Model: EC360C L
Brand: Volvo	Serial: 110001-115000, 140001-145000	Group/Section: 212/100	Title: Cylinder block

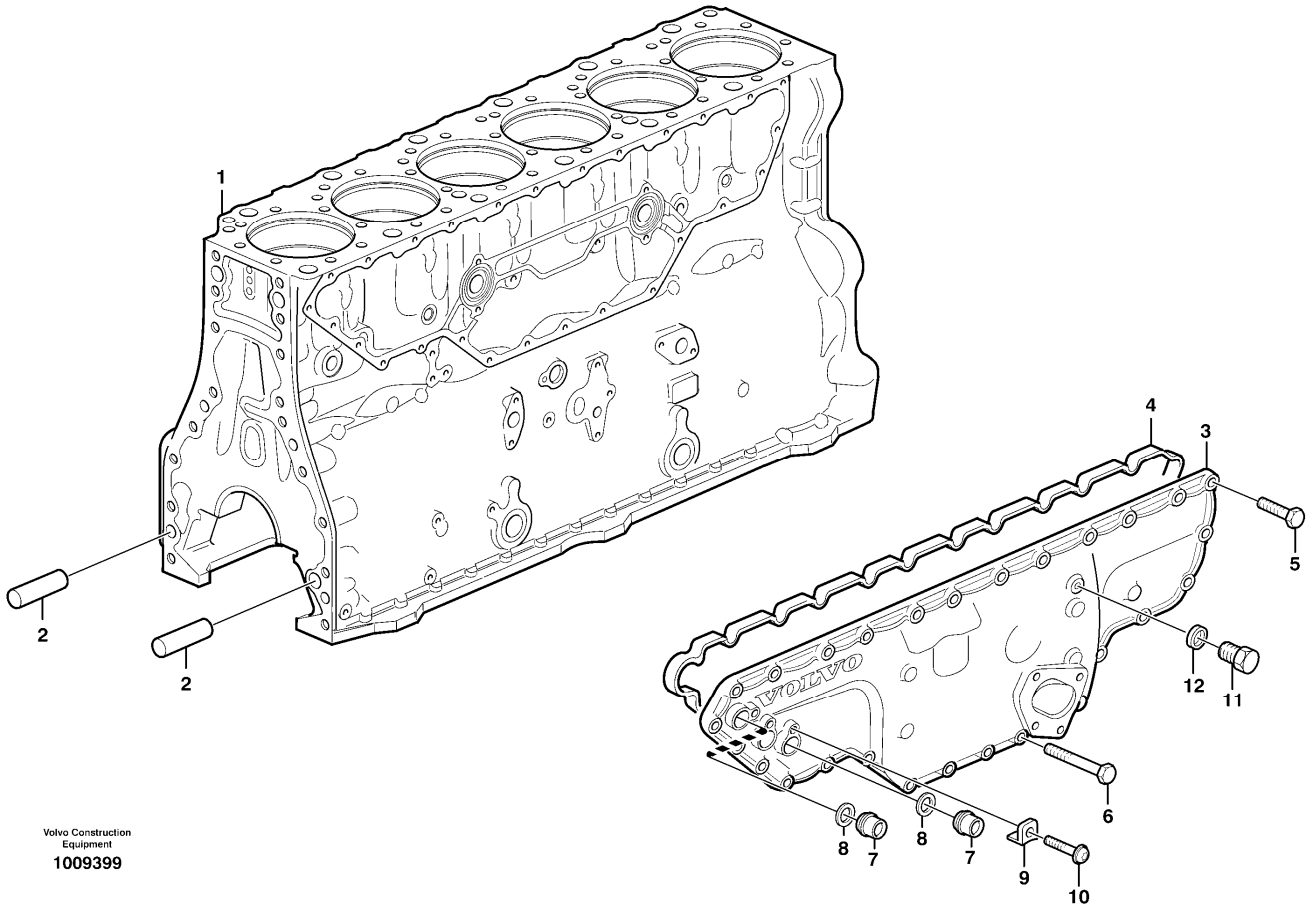


Section option	Kit	Option description
VOE8280231		Engine with Epa label EMISSION CERTIFICATED FROM EU&EPA

Q1-Q5	Option	Option description	
Q1 8280231	VOE8280231	Engine with Epa label EMISSION CERTIFICATED FROM EU&EPA	

Pos	Part	Q1	Q2	Q3	Q4	Q5	PS	Kit	Description	Option(s)	Remark
	VOE8130120	1					SS		Cylinder block		
1	VOE8130121	1					NS		•Cylinder Block		
2		7					NS		•Cap		
3	VOE422426	1							•Pin		
4	VOE1547040	14							•Screw		
5	VOE981735	3							Cap plug		
6	VOE8170389	2							Guide sleeve		
7	VOE8170666	1							Plug		

Date: 2014/1/14	Image id: 1009399	Catalogue: 20101	Model: EC360C L
Brand: Volvo	Serial: 110001-115000, 140001-145000	Group/Section: 212/200	Title: Cylinder block

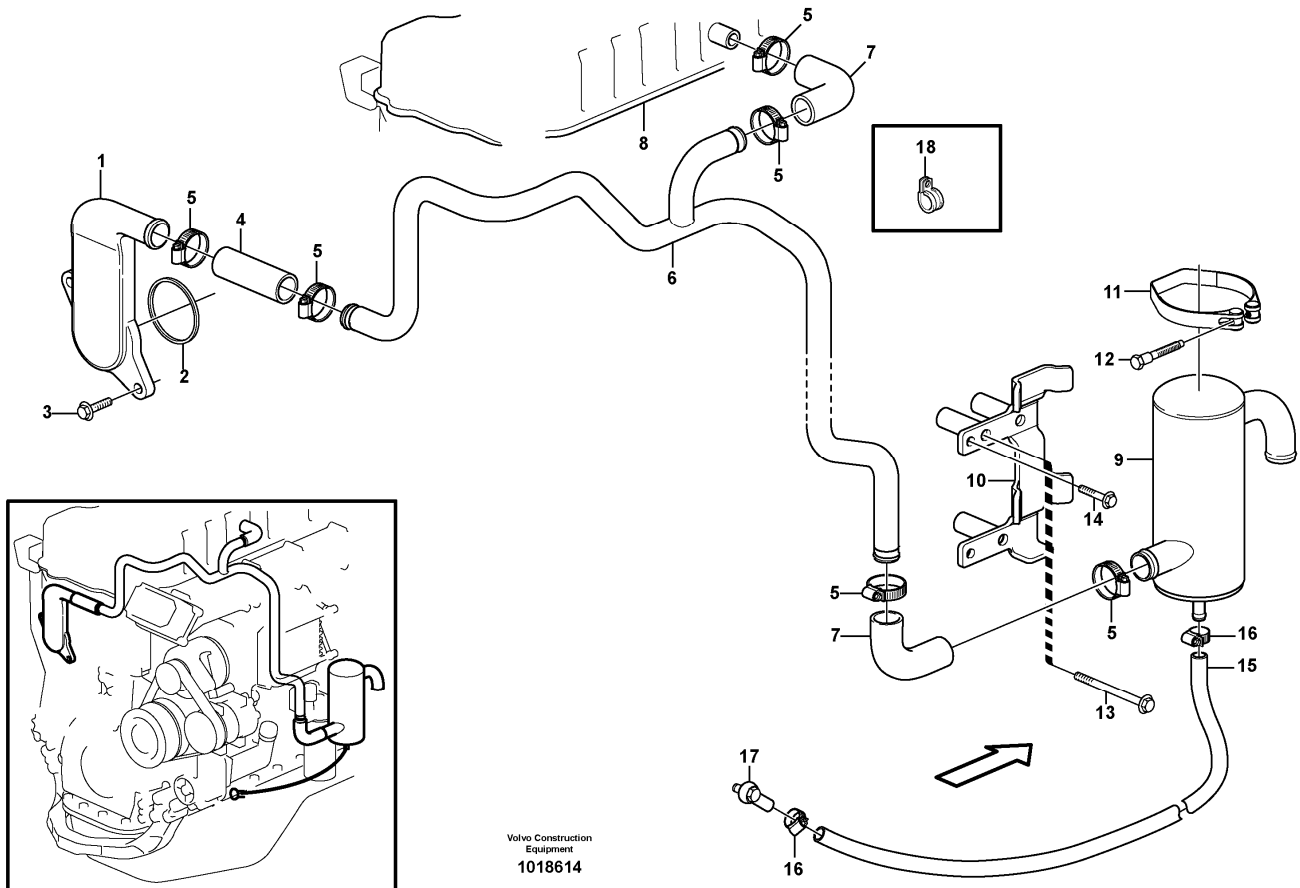


Section option	Kit	Option description
VOE8280231		Engine with Epa label EMISSION CERTIFICATED FROM EU&EPA

Q1-Q5	Option	Option description	
Q1 8280231	VOE8280231	Engine with Epa label EMISSION CERTIFICATED FROM EU&EPA	

Pos	Part	Q1	Q2	Q3	Q4	Q5	PS	Kit	Description	Option(s)	Remark
1		1							Cylinder block		See ref 212/100
2	VOE8170389	2							Guide sleeve		
3	VOE20538056	1							Casing		
4	VOE20712545	1							Seal		
5	VOE13945444	20							Screw		
6	VOE13965180	7							Screw		
7	VOE1546528	2							Plug		
8	VOE1547252	2							Sealing ring		

Date: 2014/1/14	Image id: 1018614	Catalogue: 20101	Model: EC360C L
Brand: Volvo	Serial: 110001-115000, 140001-145000	Group/Section: 212/300	Title: Crankcase ventilation



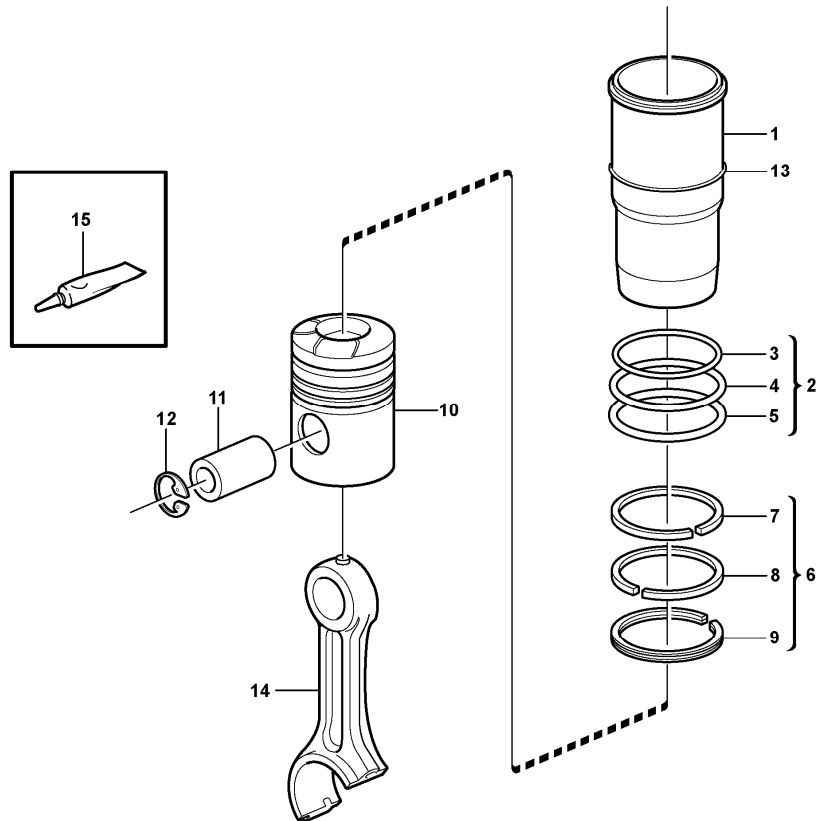
Section option	Kit	Option description
VOE8280231		Engine with Epa label EMISSION CERTIFICATED FROM EU&EPA

Q1-Q5	Option	Option description	
Q1 8280231	VOE8280231	Engine with Epa label EMISSION CERTIFICATED FROM EU&EPA	

Pos	Part	Q1	Q2	Q3	Q4	Q5	PS	Kit	Description	Option(s)	Remark
1	VOE11127358	1							Flange pipe		
2	VOE3165097	1							Sealing ring		
3	VOE13945444	2							Screw		
4	VOE11128750	1							Hose		L = 100 MM
5	VOE943476	6							Hose clamp		ENG - 654902
5	VOE993963	6							Hose clamp		ENG 654903 -
6	VOE11423384	1							Pipe		
7	VOE11128756	2							Hose		

8		1							Valve Cover		See ref 214/100
9	VOE11033878	1							Oil trap		
10	VOE11423146	1							Attachment		
11	VOE420914	1							Tensioning Band		
12	VOE1545257	1							Screw		
13	VOE13965188	3							Screw		
14	VOE946440	2							Flange screw		
15	VOE983342	REQ							Hose		L = 520 MM
16	VOE943471	2							Hose clamp		ENG - 654902
16	VOE993960	2							Hose clamp		ENG 654903 -
17	VOE11423224	1							Tube		See ref 217/100
18	VOE13949997	2							Clamp		

Date: 2014/1/14	Image id: 1035153	Catalogue: 20101	Model: EC360C L
Brand: Volvo	Serial: 110001-115000, 140001-145000	Group/Section: 213/100	Title: Cylinder liner and piston



Volvo Construction
Equipment
1035153

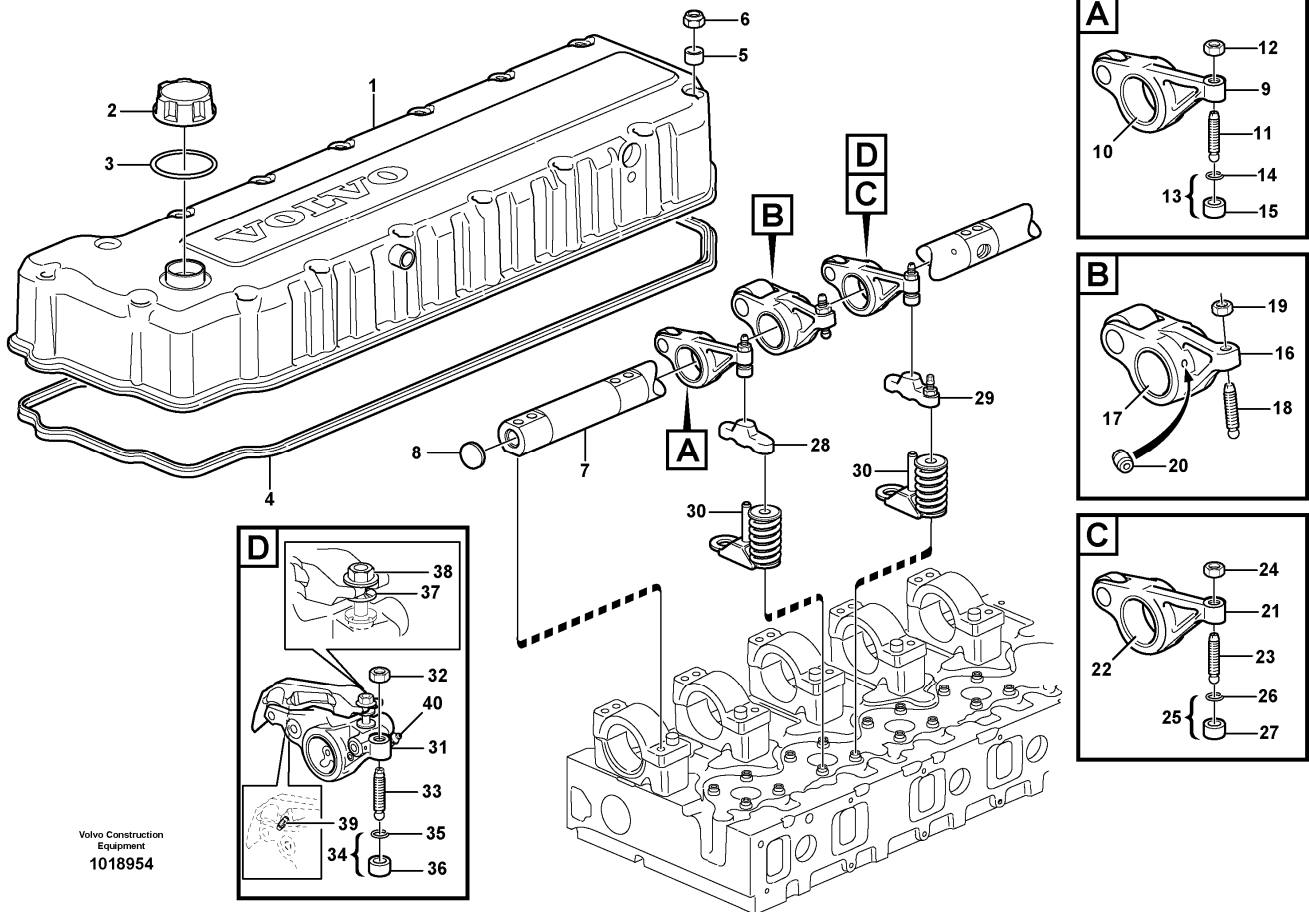
Section option	Kit	Option description
VOE8280231		Engine with Epa label EMISSION CERTIFICATED FROM EU&EPA

Q1-Q5	Option	Option description	
Q1 8280231	VOE8280231	Engine with Epa label EMISSION CERTIFICATED FROM EU&EPA	

Pos	Part	Q1	Q2	Q3	Q4	Q5	PS	Kit	Description	Option(s)	Remark
	VOE20820358	6							Cylinder		
1	VOE20498544	6					NS		•Cylinder liner		
2	VOE270950	6							•Sealing kit		
3		6					NS		••Seal Ring		
4	VOE470190	12					NS		••Sealing ring		
5		6					NS		••Sealing ring		
6	VOE20820363	6							•Piston Ring Kit		
7		6					NS		••Compression ring		

8		6					NS		••Compression ring		LOW
9		6					NS		••Oil scraper ring		
10		6					NS		•Piston		
11	VOE3155115	6							•Gudgeon pin		
12	VOE914530	12							•Retaining ring		
13	VOE1677591	REQ							Shim		THICK = 0,2 MM
13	VOE1677592	REQ							Shim		THICK = 0,3 MM
13	VOE1677593	REQ							Shim		THICK = 0,5 MM
14		6							Connecting rod		See ref 216/100
15		REQ					NS		Sealing Kit		

Date: 2014/1/14	Image id: 1018954	Catalogue: 20101	Model: EC360C L
Brand: Volvo	Serial: 110001-115000, 140001-145000	Group/Section: 214/100	Title: Valve mechanism



Section option	Kit	Option description
VOE8188768		Engine D12DEBE3

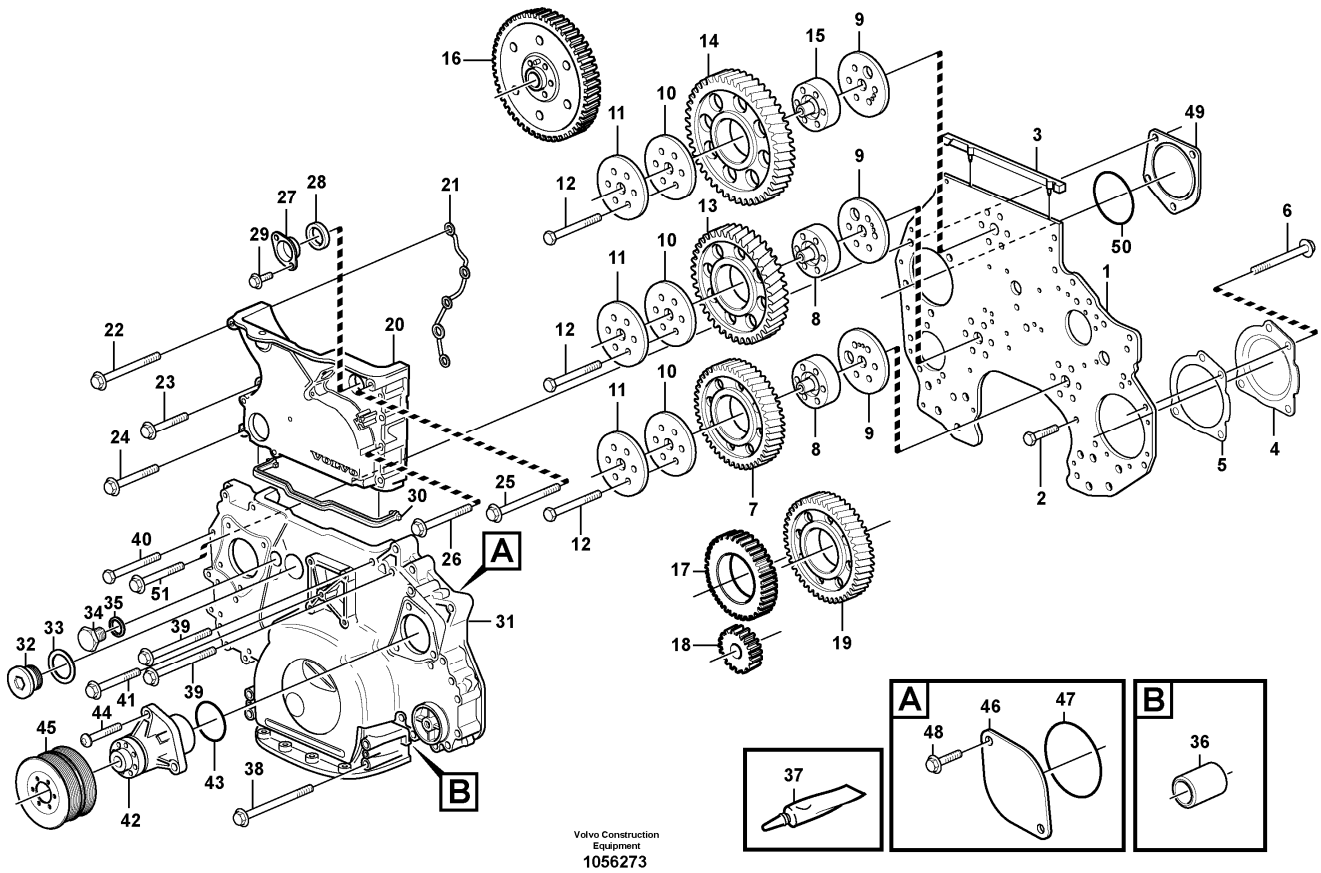
Q1-Q5	Option	Option description
Q1 8188768	VOE8188768	Engine D12DEBE3

Pos	Part	Q1	Q2	Q3	Q4	Q5	PS	Kit	Description	Option(s)	Remark
	VOE21052622	1							Valve cover		(VOE20536911)
1	VOE20545681	1					NS		•Valve Cover		
2	VOE20807510	1							•Oil filler cap		
3		1					NS		••Gasket		
4	VOE21070576	1							Sealing strip		(VOE8170116)
5	VOE3964604	16							Bushing		
6	VOE8148488	16							Lock nut		
	VOE8170158	1							Rocker arm shaft		

7	VOE8170159	1					OP		•Rocker arm shaft		
8	VOE980176	2							•Expansion plug		
	VOE20738717	6							Rocker Arm		INLET
	VOE1547965	6					OP		•Rocker arm		
9	VOE1546690	6					NS		••Rocker arm		
10	VOE1546681	6							••Bushing		
11	VOE1546458	6							•Ball stud		
12	VOE13946911	6							•Nut		
13	VOE20441753	6							•Ball socket		
14	VOE944364	6							••O-ring		
15	VOE20441755	6					OP		••Ball socket		
	VOE20738748	6							Rocker Arm		INJECTOR
16	VOE20381704	6					OP		•Rocker arm		
17	VOE3155127	6					SS		•Bushing		
	VOE1546685	6							•Bushing		See footnote 2624)
18	VOE1546775	6							•Ball stud		
19	VOE1677396	6							•Hexagon nut		
20	VOE3964817	12							•Jet		
	VOE21024789	6							Rocker arm	VOE818875 8	(VOE20738736) EXHAUST
	VOE1547964	6					NS		•Rocker Arm		
21	VOE1546688	6					NS		••Rocker arm		
22	VOE1546681	6							••Bushing		
23	VOE1546458	6							•Ball stud		
24	VOE13946911	6							•Nut		
25	VOE20441753	6							•Ball socket		
26	VOE944364	6							••O-ring		
27	VOE20441755	6					OP		••Ball socket		
28	VOE3183207	6							Valve cap		
29	VOE3183207	6							Valve cap		
30		6							Guide pin		See ref 211/100
31	VOE20941606	6					SS		Rocker arm	VOE818876 8	EXHAUST
32	VOE13946911	6							•Nut		
33	VOE1546458	6							•Ball stud		
34	VOE20441753	6							•Ball socket		
35	VOE944364	6							••O-ring		
36		6					NS		••Ball Socket		
37	VOE20524954	6					OP		•Sleeve		
38	VOE20524958	6							•Nut		
39	VOE3964817	6							•Jet		
40	VOE20916960	6							•Nipple		

2624) Not Shown

Date: 2014/1/14	Image id: 1056273	Catalogue: 20101	Model: EC360C L
Brand: Volvo	Serial: 110001-115000, 140001-145000	Group/Section: 215/100	Title: Timing gear casing and gears ENG - 645018



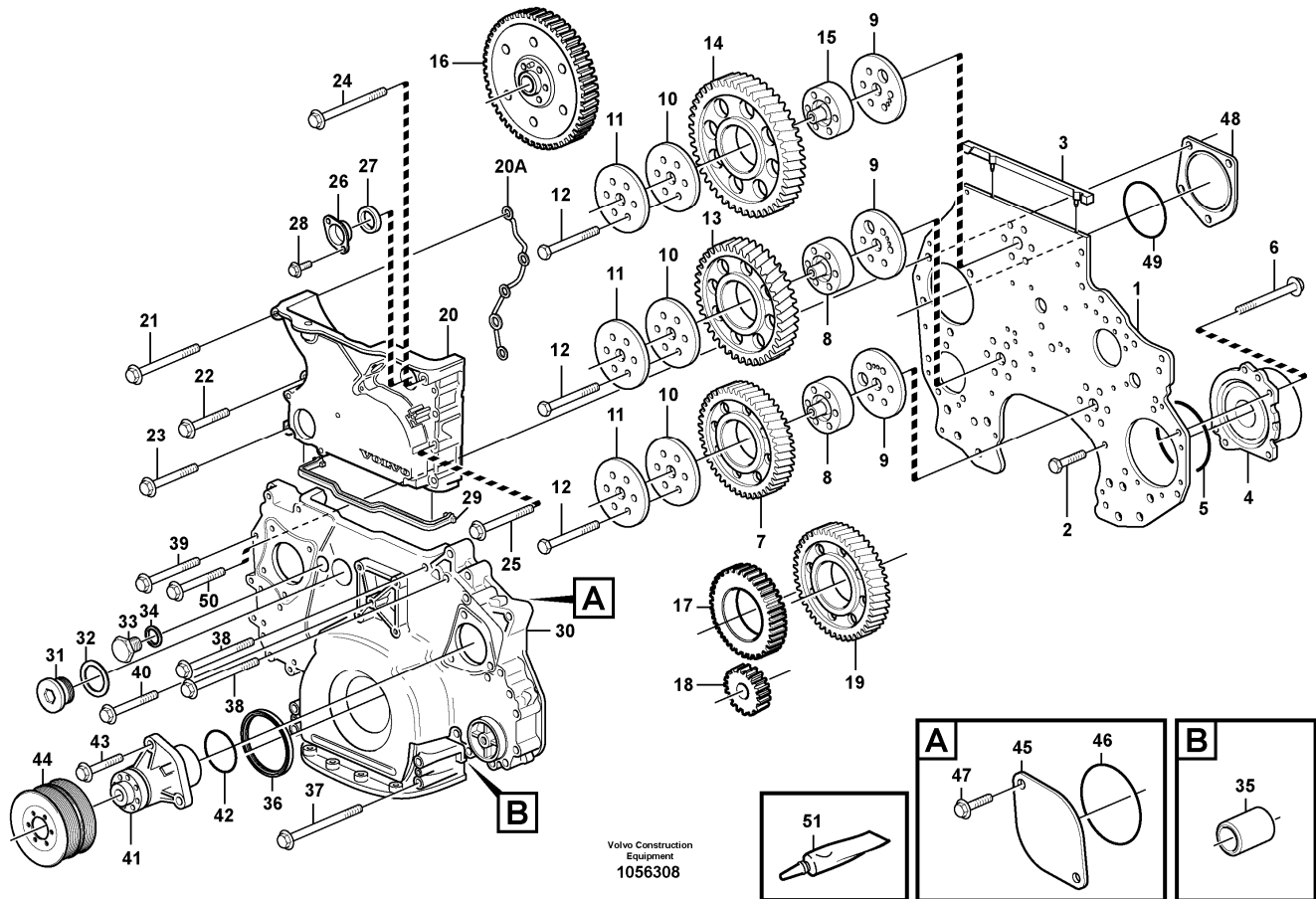
Section option	Kit	Option description
VOE8188756		Engine D12D TIER 3
VOE8188757		Engine D12D-P
VOE8188768		Engine D12DEBE3
VOE8280231		Engine with Epa label EMISSION CERTIFICATED FROM EU&EPA

Q1-Q5	Option	Option description
Q1 Q280231	VOE8280231	Engine with Epa label EMISSION CERTIFICATED FROM EU&EPA

Pos	Part	Q1	Q2	Q3	Q4	Q5	PS	Kit	Description	Option(s)	Remark
1	VOE8170561	1							Xmsn Plate		
2	VOE946470	17							Flange screw		
3	VOE20489341	1							Gasket		
4	VOE3828662	1							Cover		
5	VOE13949736	1							O-ring		

48	VOE946441	2							Flange screw		
49	VOE1556208	1							Cover		
50	VOE13948888	1							O-ring		
51	VOE973967	4							Flange screw		

Date: 2014/1/14	Image id: 1056308	Catalogue: 20101	Model: EC360C L
Brand: Volvo	Serial: 110001-115000, 140001-145000	Group/Section: 215/150	Title: Timing gear casing and gears ENG 645019 -



Section option	Kit	Option description
VOE8188757		Engine D12D-P
VOE8280231		Engine with Epa label EMISSION CERTIFICATED FROM EU&EPA

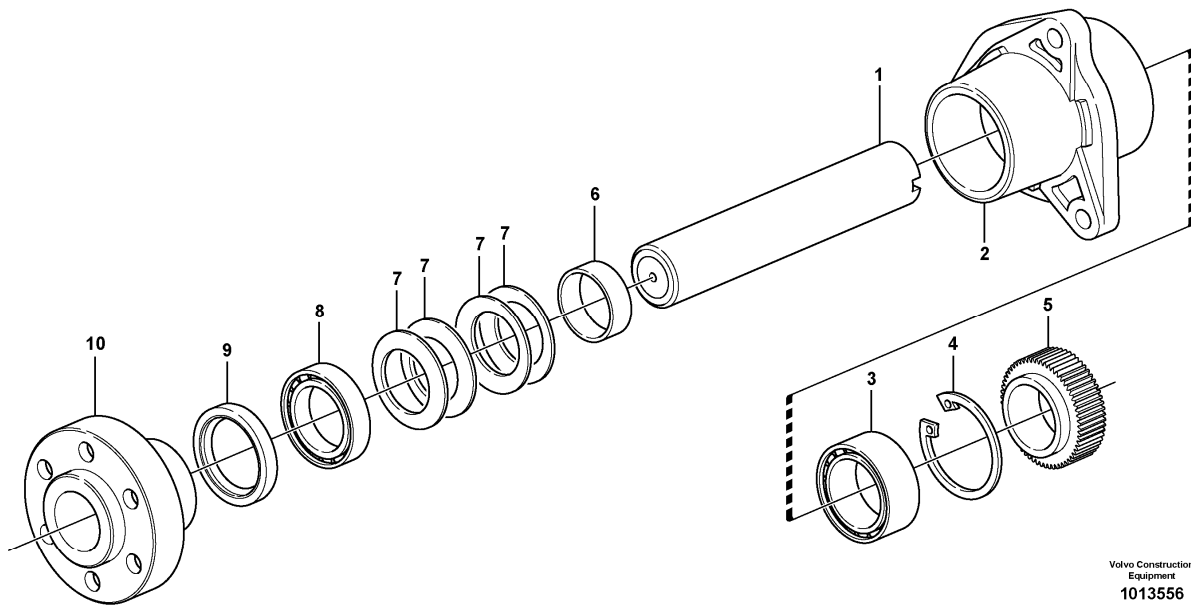
Q1-Q5	Option	Option description
Q1 ENG - 656061		
Q2 ENG 656062 -		

Pos	Part	Q1	Q2	Q3	Q4	Q5	PS	Kit	Description	Option(s)	Remark
1	VOE8170561	1	1						Xmsn Plate		
2	VOE946470	17	17						Flange screw		
3	VOE20489341	1	1						Gasket		
4	VOE11128611	1	1						Bearing housing		
5	VOE13949736	1	1						O-ring		
6	VOE965197	4	4						Flange screw		(VOE13965197)

7	VOE8170193	1	1						Idler gear		
8	VOE8170219	2	2						Hub		
9	VOE8170220	3	3						Thrust washer		
10	VOE3184865	3	3						Thrust washer		
11	VOE3184868	3	3						Bearing shield		
12	VOE1547886	18	18						Screw		
13	VOE8170195	1	1						Idler gear		
14	VOE8170197	1	1						Idler gear		
15	VOE8170199	1	1						Hub		
16		1	1						Gear		
17		1	1						Idler gear		
18		1	1						Gear		
19		1	1				NS		Gear		
20	VOE20713791	1	1						Tmg Gear Cover		
20A	VOE3830184	1	1						Sealing		
21	VOE968553	1	1						Flange screw		L = 115 MM
22	VOE13965182	3	3						Screw		L = 80 MM
23	VOE13965183	1	1						Flange screw		L = 90 MM
24	VOE13965190	1	1						Screw		L = 100 MM
25	VOE13965223	1	1						Screw		L = 75 MM
25	VOE13947790	2	2						Screw		L = 80 MM
26	VOE3964803	1	1						Plug		
27	VOE20555696	1	1						Sealing ring		
28	VOE946440	2	2						Flange screw		
29	VOE20714247	1	1						Seg moulding		
30	VOE21122283	1					SS		Timing gear cover		
30	VOE21424752		1						Timing gear cover		
30	VOE21206533	1	1						•Timing gear cover		
30	VOE3595444	1	1				NS		••Tmg gear cover		
31	VOE467367	1	1						••Plug		
32	VOE1556907	1	1						••Gasket		
33	VOE13960632	1	1						••Plug		
34	VOE948884	1	1						••Plane gasket		
35	VOE1547940	2	2						••Pin		
36	VOE85108423	1							•Crankshaft seal		
36	VOE21081526		1				NS		•Crankshaft Seal		
37	VOE973096	4	4						Flange screw		L = 130 MM
38	VOE13947790	2	2						Screw		L = 80 MM
39	VOE955302	11	11						Hexagon screw		L = 60 MM
39	VOE13965181	1	1						Screw		L = 70 MM
40	VOE13965183	1	1						Flange screw		L = 90 MM
41		1	1						Driving Device		See ref 215/175
42	VOE967344	1	1						O-ring		
43	VOE13946752	1	1						Screw		L = 35 MM
43	VOE13965190	1	1						Screw		L = 100 MM
44		1	1						Pulley		See ref 263/100
45	VOE3828400	1	1						Cover		

46	VOE967344	1	1						O-ring		
47	VOE946441	2	2						Flange screw		
48	VOE1556208	1	1						Cover		
49	VOE13948888	1	1						O-ring		
50	VOE973967	4	4						Flange screw		
51	VOE11713514	REQ	REQ						Sealant		(VOE1161231)
51	VOE1161277	REQ	REQ						Sealant		

Date: 2014/1/14	Image id: 1013556	Catalogue: 20101	Model: EC360C L
Brand: Volvo	Serial: 110001-115000, 140001-145000	Group/Section: 215/175	Title: Driving device



Volvo Construction
Equipment
1013556

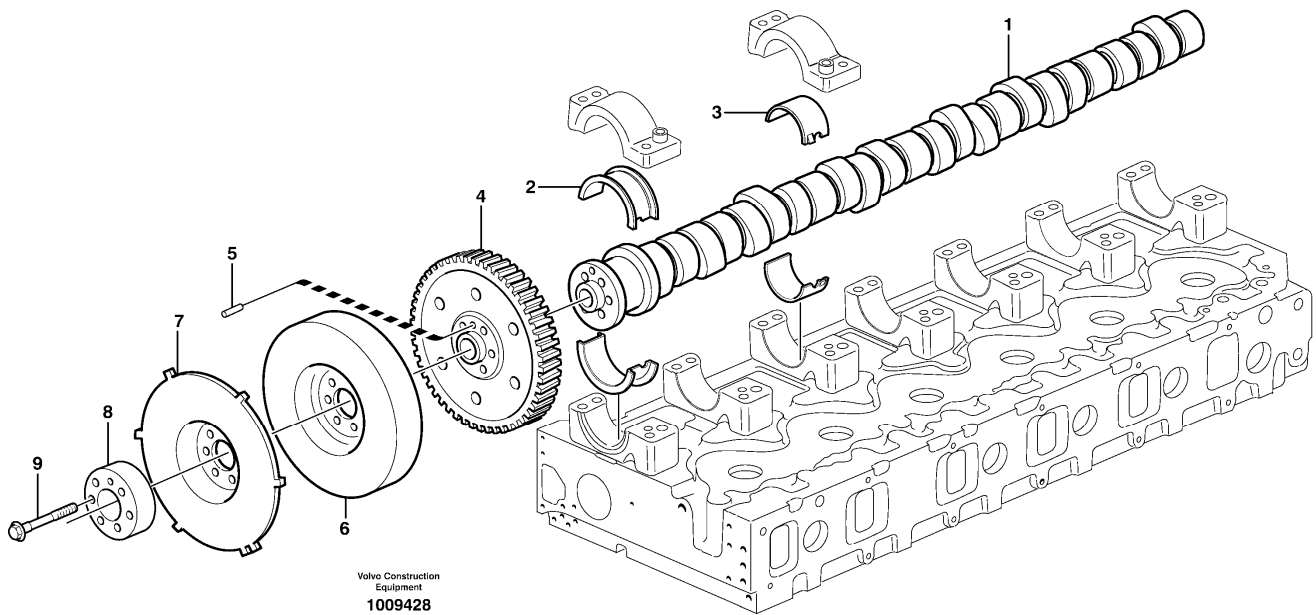
Section option	Kit	Option description
VOE8188756		Engine D12D TIER 3
VOE8188757		Engine D12D-P
VOE8188768		Engine D12DEBE3
VOE8280231		Engine with Epa label EMISSION CERTIFICATED FROM EU&EPA

Q1-Q5	Option	Option description	
Q1 8280231	VOE8280231	Engine with Epa label EMISSION CERTIFICATED FROM EU&EPA	

Pos	Part	Q1	Q2	Q3	Q4	Q5	PS	Kit	Description	Option(s)	Remark
	VOE8193986	1							Driving device		
1	VOE3184821	1					NS		•Shaft		
2	VOE8170667	1					OP		•Bearing housing		
3	VOE471499	1							•Ball bearing		
4	VOE914532	1							•Retaining ring		

5	VOE8170240	1					OP		•Gear		
6	VOE8193994	1							•Spacer sleeve		
7	VOE1677558	4					OP		•Disc spring		
8	VOE7011013	1							•Bearing		
9	VOE1546480	1							•Sealing ring		
10	VOE1547846	1					OP		•Hub		

Date: 2014/1/14	Image id: 1009428	Catalogue: 20101	Model: EC360C L
Brand: Volvo	Serial: 110001-115000, 140001-145000	Group/Section: 215/200	Title: Camshaft

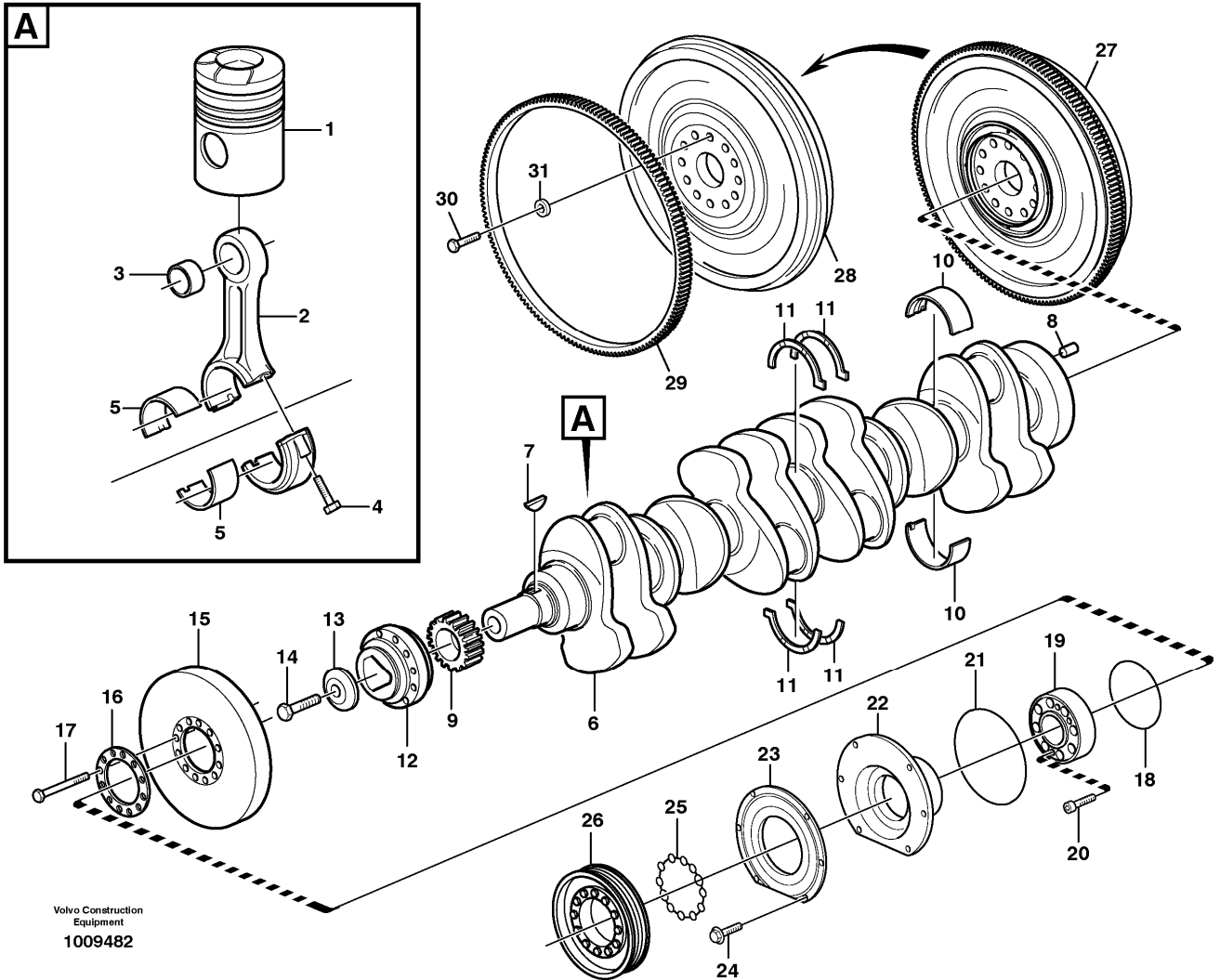


Section option	Kit	Option description
VOE8188756		Engine D12D TIER 3
VOE8188757		Engine D12D-P
VOE8188768		Engine D12DEBE3
VOE8280231		Engine with Epa label EMISSION CERTIFICATED FROM EU&EPA

Q1-Q5	Option	Option description	
Q1 8280231	VOE8280231	Engine with Epa label EMISSION CERTIFICATED FROM EU&EPA	

Pos	Part	Q1	Q2	Q3	Q4	Q5	PS	Kit	Description	Option(s)	Remark
1	VOE20576909	1							Camshaft		
2	VOE20503200	1							Bearing shell kit		
3	VOE276630	6							Bearing shell kit		STD
	VOE1677212	12							•Bearing shell		STD
	VOE1677551	12							Bearing shell		0,25 US
4	VOE20450344	1							Gear		
5	VOE950572	1							•Grooving tool		
6	VOE8170954	1							Vibration damper		
7	VOE3155166	1							Tooth Wheel		
8	VOE20440991	1							Spacer		
9	VOE20441079	6							Flange screw		

Date: 2014/1/14	Image id: 1009482	Catalogue: 20101	Model: EC360C L
Brand: Volvo	Serial: 110001-115000, 140001-145000	Group/Section: 216/100	Title: Crankshaft and related parts



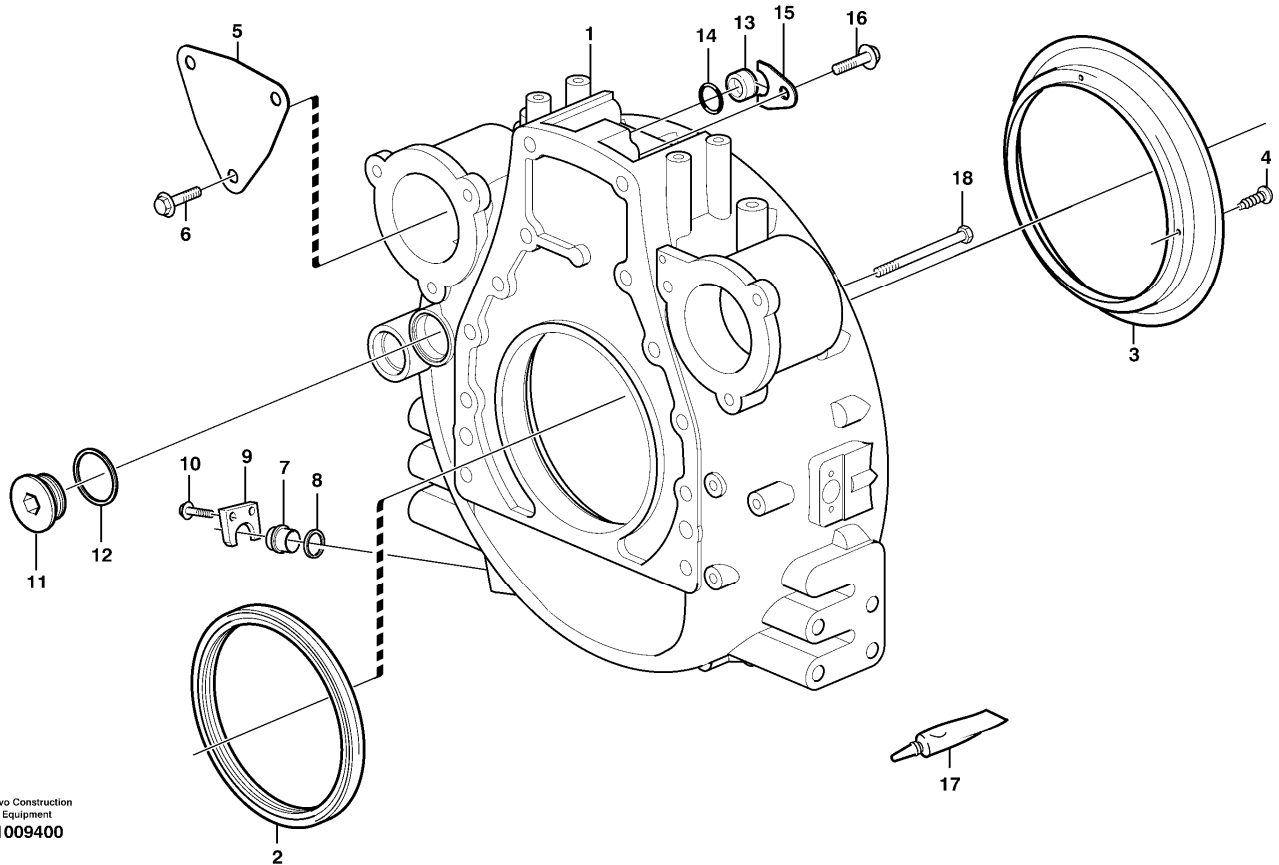
Section option	Kit	Option description
VOE8188757		Engine D12D-P
VOE8280231		Engine with Epa label EMISSION CERTIFICATED FROM EU&EPA

Q1-Q5	Option	Option description
Q1 8280231	VOE8280231	Engine with Epa label EMISSION CERTIFICATED FROM EU&EPA

Pos	Part	Q1	Q2	Q3	Q4	Q5	PS	Kit	Description	Option(s)	Remark
1		6							Piston		See ref 213/100
	VOE20412200	6							Connecting rod		
2	VOE20412201	6					NS		•Connecting rod		

3	VOE20381185	6							•Bushing		
4	VOE1543035	12							•Screw		
5	VOE276134	REQ							Big End Brg Kit		STD
	VOE276135	REQ							Big End Brg Kit		0,25 MM U SZ
	VOE276136	REQ							Big End Brg Kit		0,50 MM U SZ
	VOE276137	REQ							Big End Brg Kit		0,75 MM U SZ
	VOE276334	REQ							Big End Brg Kit		1,00 MM U SZ
	VOE276349	REQ							Big End Brg Kit		1,25 MM U SZ
	VOE20533089	1							Crankshaft		
	VOE20533073	1					NS		•Crankshaft		
6	VOE20533089	1							••Crankshaft		(VOE20533088)
7	VOE422253	1							••Key		
8	VOE950644	1							••Pin		
9	VOE8170192	1							•Gear		
10	VOE20530916	7							Mn Bearing Kit		STD
	VOE276616	7							Main bearing kit		0,25 MM U SZ
	VOE276617	7							Main bearing kit		0,50 MM U SZ
	VOE276618	7							Main bearing kit		0,75 MM U SZ
	VOE276619	7							Main bearing kit		1,00 MM U SZ
	VOE20578628	7							Main Bearing		(VOE276620)1,25 MM U SZ
11	VOE3093651	1							Thrust washer kit		STD
	VOE3093652	1							Thrust washer kit		0,1 MM O SZ
	VOE3093653	1							Thrust washer kit		0,2 MM O SZ
12	VOE11707317	1							Hub		(VOE1549407)
13	VOE422124	1							Washer		
14	VOE1543316	1							Screw		
15	VOE8193930	1							Vibration damper		
16	VOE8193962	1							Washer		
17	VOE13970887	10							Hexagon screw		
18	VOE13945512	1							O-ring		
19	VOE3826656	1							Companion flange		ENG - 631188
19	VOE21243814	1							Companion flange		(VOE3595228)ENG 631189 -
20	VOE13974111	2							Allen Hd Screw		ENG - 631188
20	VOE3595265	2							Screw		ENG 631189 -
21	VOE3832906	1							O-ring		
22	VOE3832863	1							Sealing ring		ENG - 631188
23	VOE3827504	1							Dust cover		ENG - 631188
23	VOE40005678	1					SS		Sealing ring		ENG 631189 -
24	VOE946440	6							Flange screw		ENG - 631188
24	VOE946173	6							Flange screw		ENG 631189 -
25	VOE3827530	1							Sealing ring		
26	VOE11127304	1							Pulley		
27	VOE11127311	1							Flywheel		
28	VOE11127305	1					NS		•Flywheel		
29	VOE8193939	1							•Gear ring		

Date: 2014/1/14	Image id: 1009400	Catalogue: 20101	Model: EC360C L
Brand: Volvo	Serial: 110001-115000, 140001-145000	Group/Section: 216/200	Title: Flywheel housing



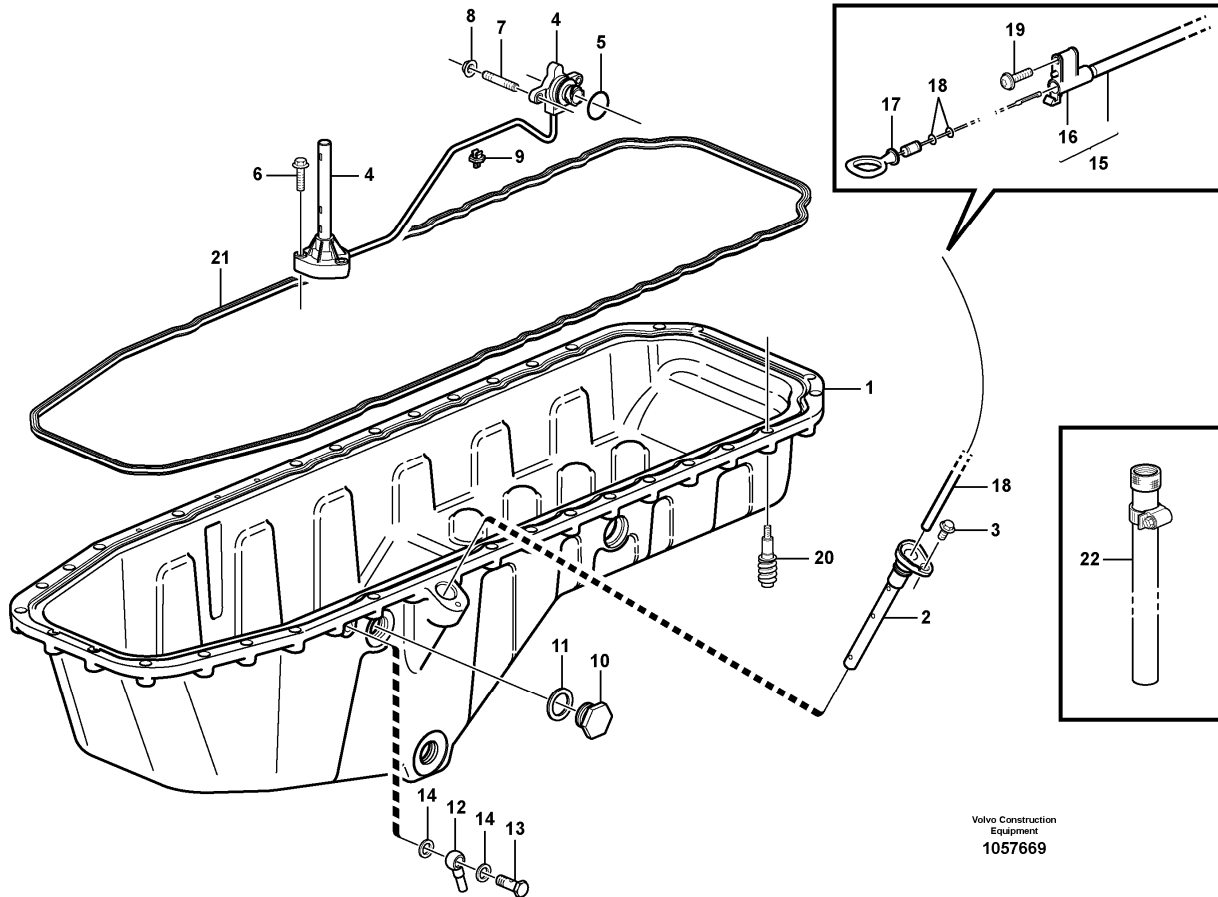
Section option	Kit	Option description
VOE8280231		Engine with Epa label EMISSION CERTIFICATED FROM EU&EPA

Q1-Q5	Option	Option description	
Q1 8280231	VOE8280231	Engine with Epa label EMISSION CERTIFICATED FROM EU&EPA	

Pos	Part	Q1	Q2	Q3	Q4	Q5	PS	Kit	Description	Option(s)	Remark
	VOE11030273	1							Flywheel housing		
1	VOE11030245	1					OP		•Flywheel housing		
2	VOE1543896	1							•Sealing ring		
3	VOE11030271	1							•Oil deflector ring		
4	VOE13905650	4							•Drive screw		
5	VOE849135	1					OP		Cover		
6	VOE946502	3							Flange screw		
7	VOE11031785	1							Plug		
8	VOE421158	1							Sealing ring		

9	VOE11031769	1							Lock washer		
10	VOE13966378	2							Flange screw		
11	VOE467367	2							Plug		ENG - 652896
11	VOE15134976	2							Plug		ENG 15134976 -
12	VOE1556907	2							Gasket		
13	VOE11127387	1							Plug		
14	VOE13949656	1							O-ring		
15	VOE11127388	1							Lock plate		
16	VOE13966378	1							Flange screw		
17	VOE1161277	REQ							Sealant		20 GRAM
	VOE11713514	REQ							Sealant		(VOE1161231)304 ML
18	VOE13966364	8							Flange screw		L = 70 MM
	VOE13966366	2							Flange screw		L = 90 MM
	VOE13966371	2							Flange screw		L = 140 MM

Date: 2014/1/14	Image id: 1057669	Catalogue: 20101	Model: EC360C L
Brand: Volvo	Serial: 110001-115000, 140001-145000	Group/Section: 217/100	Title: Oil sump ENG - 635569



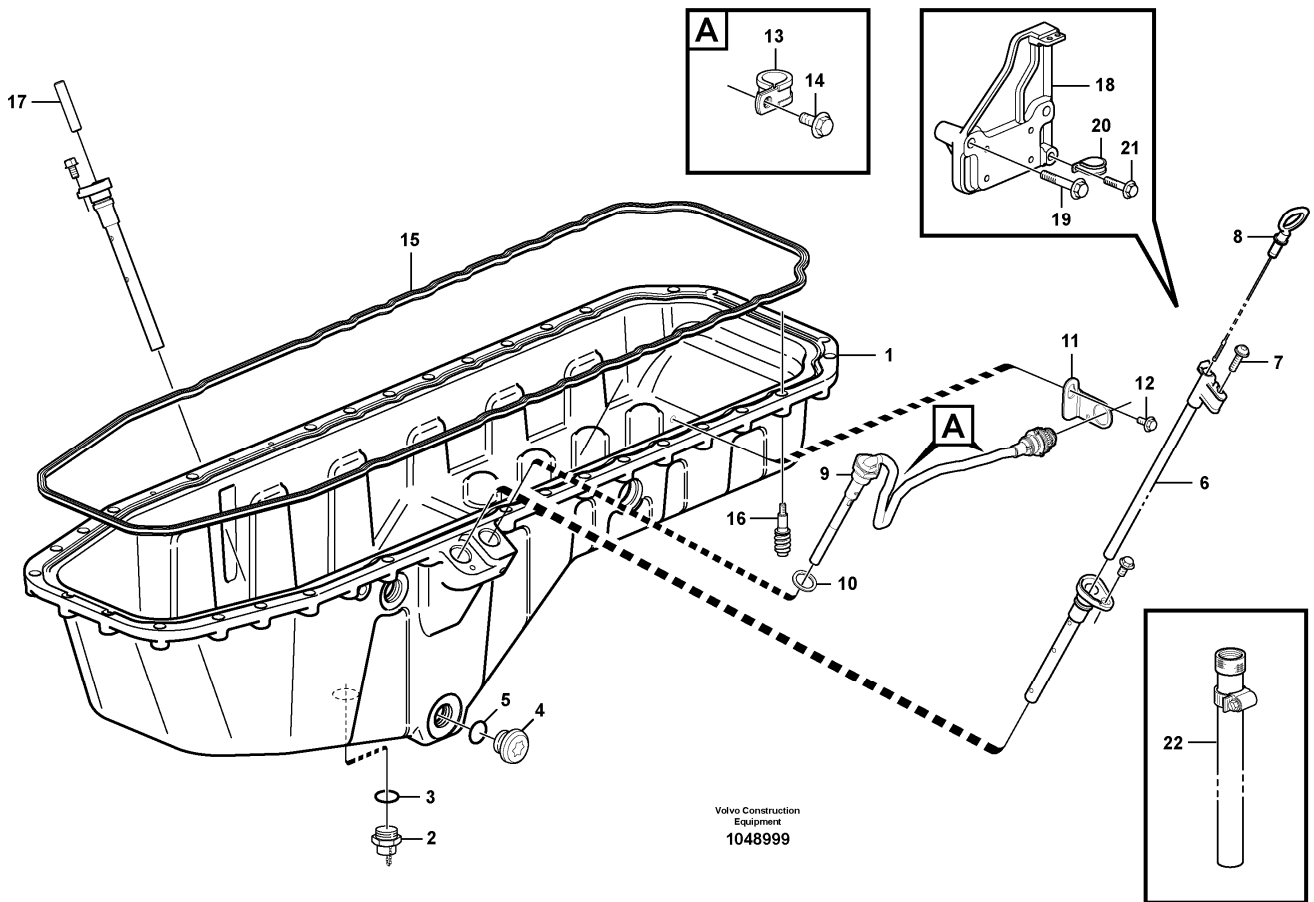
Section option	Kit	Option description
VOE8188756		Engine D12D TIER 3
VOE8188757		Engine D12D-P
VOE8188768		Engine D12DEBE3
VOE8280231		Engine with Epa label EMISSION CERTIFICATED FROM EU&EPA

Q1-Q5	Option	Option description	
Q1 ENG - 633285			
Q2 ENG 633286 -			

Pos	Part	Q1	Q2	Q3	Q4	Q5	PS	Kit	Description	Option(s)	Remark
	VOE11423477	1							Oil pan		
	VOE15032722		1						Oil sump		
1	VOE11423475	1					OP		•Oil pan		
1	VOE15032514		1				NS		•Oil Pan		

2	VOE20724256	2	2						•Pipe		
3	VOE946440	2	2						•Flange screw		
4	VOE24424110	1							•Oil Lvl Sensor		SE2202, SE2205
4	VOE21042447		1						•Oil level sensor		SE2202, SE2205
5	VOE990719	1	1						••O-ring		
6	VOE13948356	3	3						•Flange screw		
7	VOE953035	2	2						•Stud		
8	VOE13949278	2	2						•Flange lock nut		
9	VOE20700754	3	3						•Retainer		
10	VOE13960638	1	1						•Plug		
11	VOE982509	1	1						•Gasket		
12	VOE11423224	1	1						•Tube		
13	VOE7025167	1	1						•Hollow screw		
14	VOE976929	2	2						•Gasket		
15	VOE11423005	1	1						Pipe		L = 860 MM
16	VOE20364858	1	1						•Bracket		
	VOE11423151	1	1				NS		•Plastic Pipe		
17	VOE11423006	1	1						Oil Dipstick		
18	VOE949187	2	2						•O-ring		
19	VOE975371	1	1						Six point socket screw		
20	VOE20538726	30	30						Flange screw		
21	VOE20532272	1	1						Sealing strip		
22	VOE11127320	1	1						Hose		

Date: 2014/1/14	Image id: 1048999	Catalogue: 20101	Model: EC360C L
Brand: Volvo	Serial: 110001-115000, 140001-145000	Group/Section: 217/200	Title: Oil sump / oil dipstick ENG 635570 -



Section option	Kit	Option description
VOE8188757		Engine D12D-P
VOE8280231		Engine with Epa label EMISSION CERTIFICATED FROM EU&EPA

Q1-Q5	Option	Option description	
Q1 ENG - 650902			
Q2 ENG 650903 -			

Pos	Part	Q1	Q2	Q3	Q4	Q5	PS	Kit	Description	Option(s)	Remark
1		1	1						Oil Pan		See ref 217/300
2	VOE11127648	1					SS		Valve		
2	VOE15128018		1						Valve		
3	VOE982509	1	1						Gasket		
4	VOE11127354	1	1						Plug		
5	VOE13948610	1	1						O-ring		

Thank you so much for reading.
Please click the “Buy Now!”
button below to download the
complete manual.



After you pay.

You can download the most
perfect and complete manual in
the world immediately.

Our support email:

ebooklibonline@outlook.com