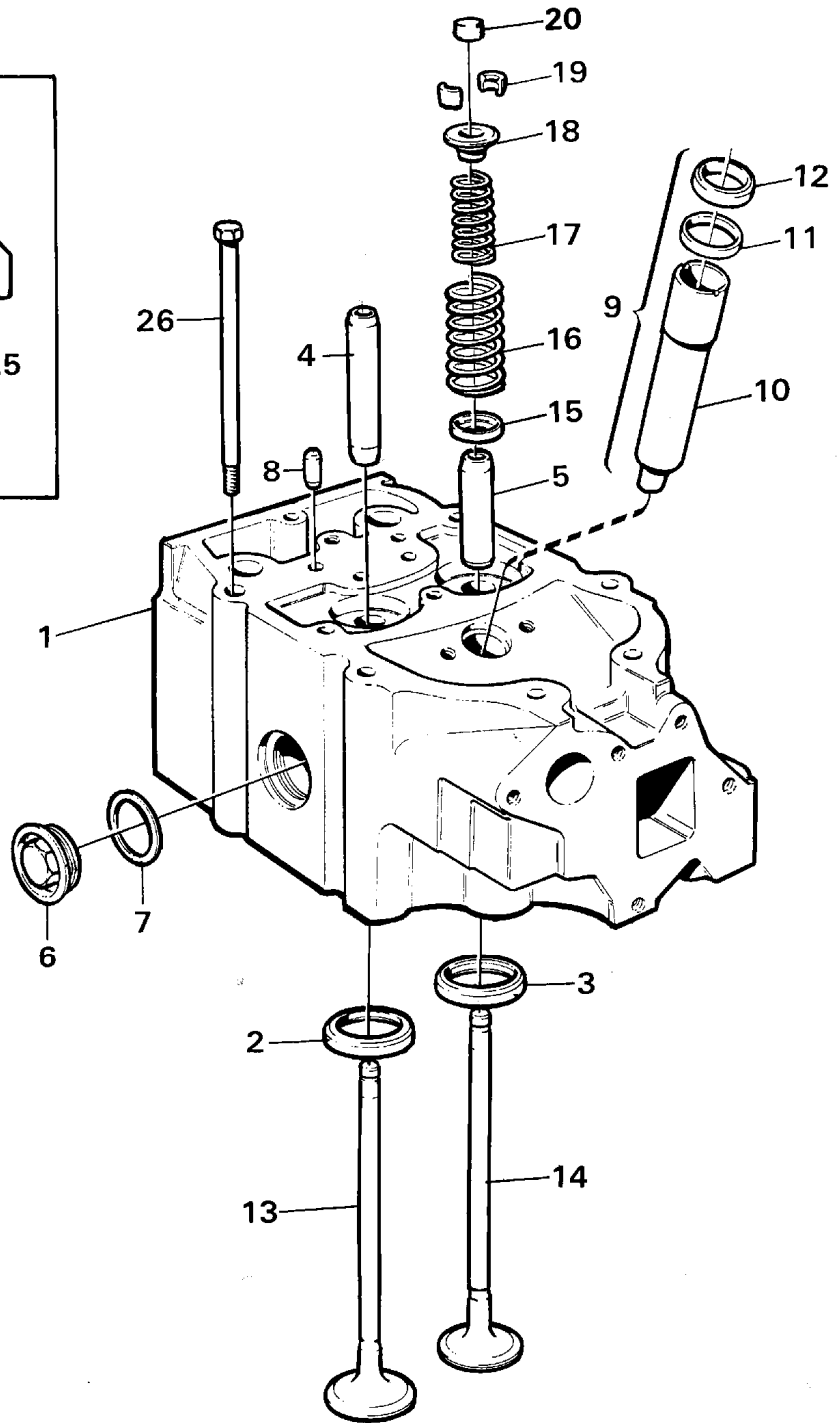
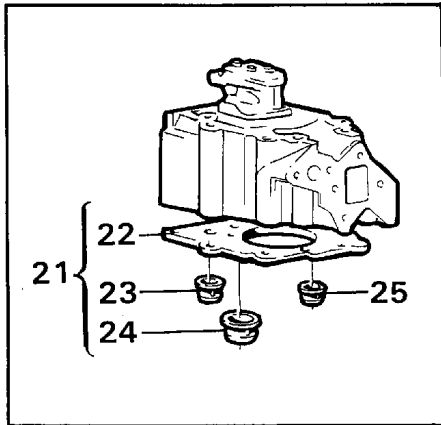


Date: <b>2014/1/18</b>	Image id: <b>FL103</b>	Catalogue: <b>99514</b>	Model: <b>EC450</b>
Brand: <b>Åkerman</b>	Serial: <b>1601-1781</b>	Group/Section: <b>211/100</b>	Title: <b>Cylinder head.</b>

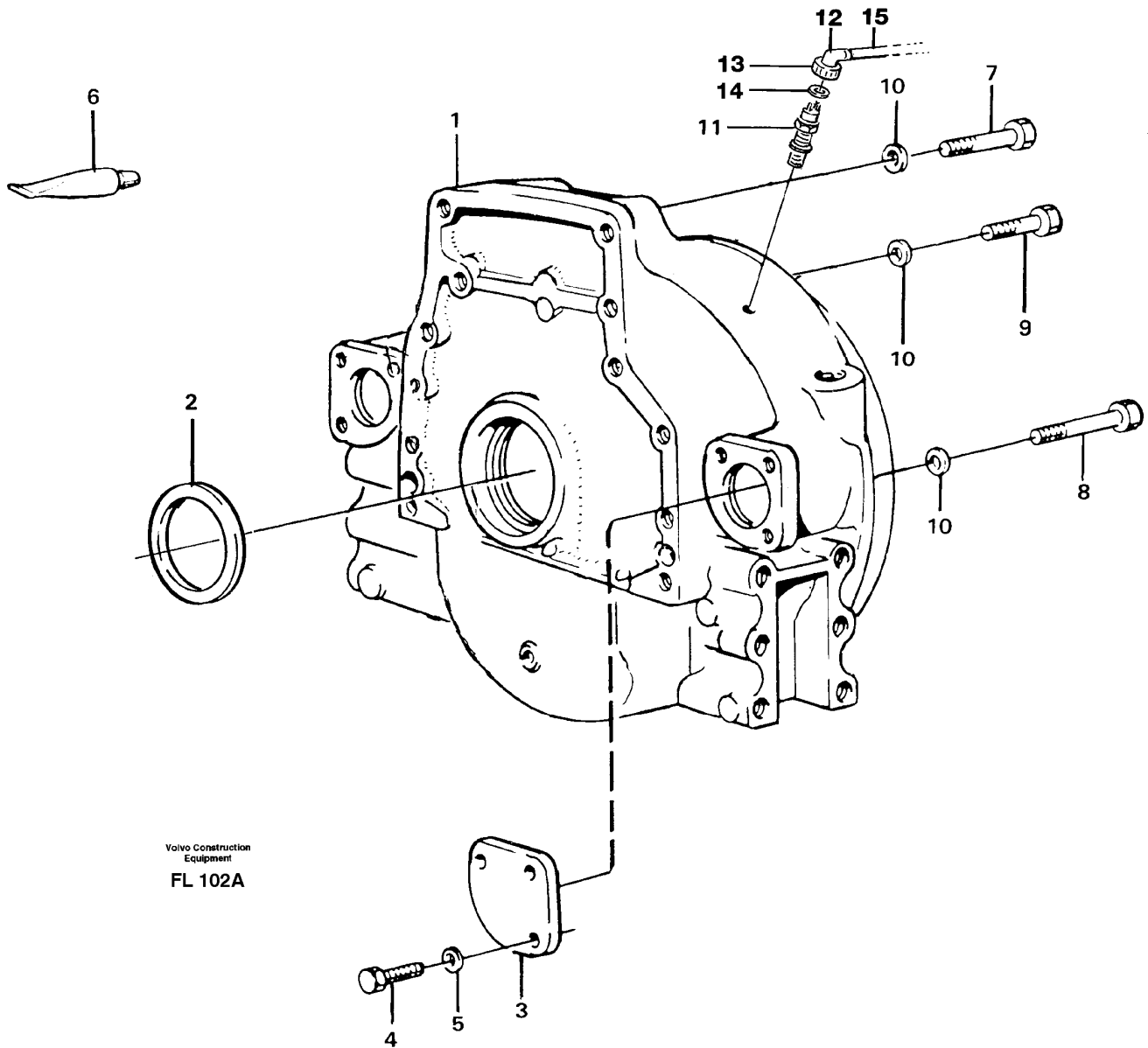


VME Parts AB  
FL 103  
PRINTED IN SWEDEN

Pos	Part	Q1	Q2	Q3	Q4	Q5	PS	Kit	Description	Option(s)	Remark
	VOE479952	6							Cylinder head		
1	VOE479942	6					NS		•Cylinder head		

2	VOE423011	6							••Valve seat		STD D
2	VOE423208	6							••Valve seat		0.2 MM O SZ
3	VOE468448	6							••Valve seat		STD D
3	VOE468449	6							••Valve seat		0.2 MM O SZ
4	VOE422320	6							••Valve Guide		
5	VOE1545135	6							••Valve Guide		
6	VOE467365	12							••Plug		(467714)
7	VOE469327	12							••Gasket		(VOE468461)
8	VOE14025455	12							••Cylinder Pin		
9	VOE273983	6							••Repair Kit		
10	VOE470247	6							•••Sleeve		
11	VOE466405	6							•••Sealing ring		
12	VOE466420	6							•••Ring		
13	VOE468302	6							•Valve		Inlet / inlopp
14	VOE468303	6							•Valve		Outlet / utlopp
15	VOE468065	12							•Washer		
16	VOE468067	12							•Spring		
17	VOE468066	12							•Spring		
18	VOE468304	12							•Washer		
19	VOE468305	24							•Valve Collet		
20	VOE478074	12							•Valve Cap		
21	VOE270949	6							Gasket Kit		
22	VOE470837	6					NS		•Gasket		
23	VOE422415	12							•Sealing ring		
24	VOE423326	12							•Sealing ring		
25	VOE422413	6							•Sealing ring		
26	VOE470261	48							Screw		

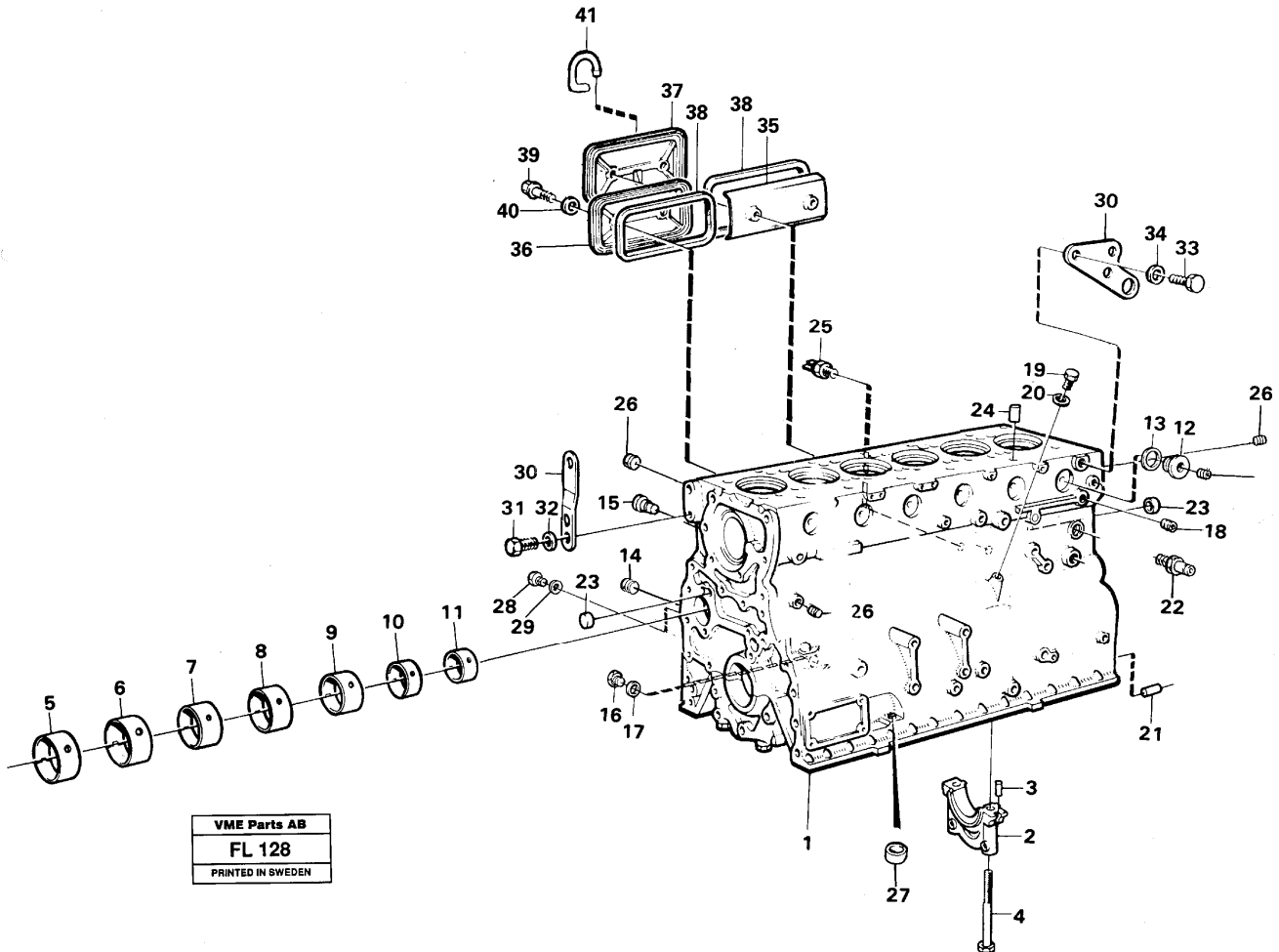
Date: <b>2014/1/18</b>	Image id: <b>FL102A</b>	Catalogue: <b>99514</b>	Model: <b>EC450</b>
Brand: <b>Åkerman</b>	Serial: <b>1601-1781</b>	Group/Section: <b>212/50</b>	Title: <b>Flywheel housing</b>



Pos	Part	Q1	Q2	Q3	Q4	Q5	PS	Kit	Description	Option(s)	Remark
1	VOE11701057	1					OP		Casing		
2	VOE3825164	1					SS		•Sealing ring		
3	VOE423081	1							•Seal Flange		
4	VOE13940114	3							•Screw		
5	VOE13942336	3							•Spring Washer		
6	VOE11713514	REQ							Sealant		(VOE1161231)
7	VOE955582	2							Hexagon screw		
8	VOE955587	2							Screw		

9	VOE955580	8							Hexagon screw		
10	VOE941911	12							Spring Washer		
11	VOE11039533	1							Ind Sensor		
12	VOE14215393	1							Elbow Union		
13	VOE14214595	1					SS		Nut		
14	VOE14214594	1					SS		Sealing ring		
15		1							Wire harness		See ref 372/800

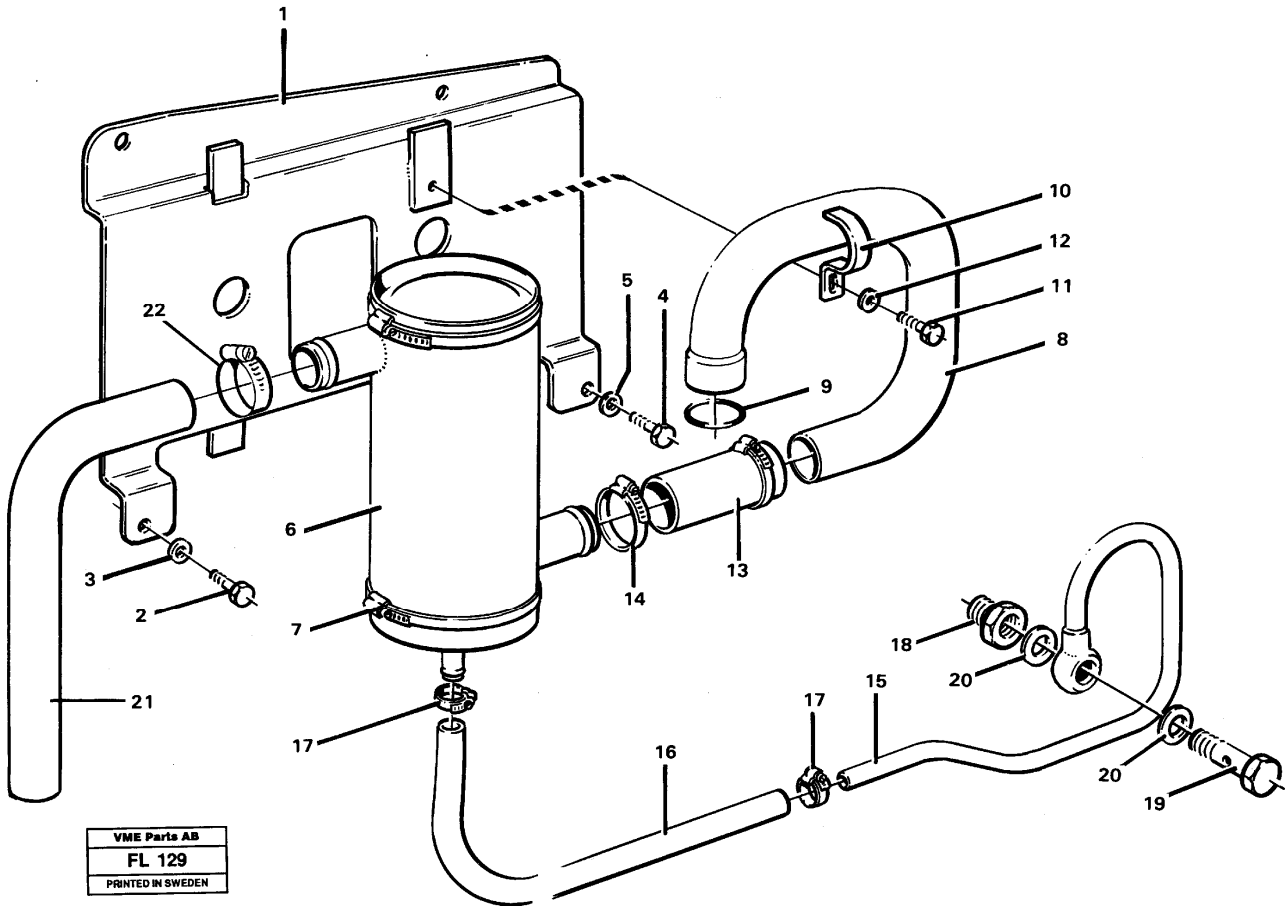
Date: <b>2014/1/18</b>	Image id: <b>FL128</b>	Catalogue: <b>99514</b>	Model: <b>EC450</b>
Brand: <b>Åkerman</b>	Serial: <b>1601-1781</b>	Group/Section: <b>212/100</b>	Title: <b>Cylinder block</b>



Pos	Part	Q1	Q2	Q3	Q4	Q5	PS	Kit	Description	Option(s)	Remark
1	VOE478992	1							Cylinder block		(VOE479750)
2		7					NS		•Cap		
3	VOE422426	1							•Pin		
4	VOE423444	14							•Screw		
5	VOE422076	1							•Bushing		
6	VOE422077	1							•Bushing		
7	VOE422078	1							•Bushing		
8	VOE11000014	1							•Bushing		
9	VOE422080	1							•Bushing		
10	VOE422081	1							•Bushing		
11	VOE422082	1							•Bushing		
12	VOE467367	6							•Plug		
13	VOE1556907	6							•Gasket		(VOE469328)

14	VOE13942734	1							•Plug		
15	VOE422369	7							•Plug		
16	VOE7016318	1							•Plug		
17	VOE13947281	1							•Gasket		
18	VOE479977	1							•Plug		(VOE952077)
19	VOE13961892	1							•Plug		
20	VOE13969011	1							•Gasket		
21	VOE191171	2							Pin		(VOE7191171)
22	VOE13946121	1							Nipple		
23	VOE13955083	3							Cap plug		(VOE955083)
24	VOE14025455	12							Cylinder Pin		(VOE950543)
25	VOE863169	1							Pressure monitor		
26	VOE479977	5							Plug		
27	VOE955082	2							Cap plug		
28	VOE13948187	1							Plug		
29	VOE13947625	1							Plane gasket		
30		4					NS		Lifting eye		
31	VOE955562	2							Hexagon screw		
32	VOE940280	2							Spring washer		
	VOE11033827	2							Bushing		
33	VOE13960783	2							Screw		
33	VOE955591	2							Hexagon screw		
34	VOE941912	4							Spring washer		
35	VOE422542	1							Splash plate		
36	VOE423120	2							Hatch		
37	VOE423121	1							Hatch		
38	VOE469823	3							Gasket		
39	VOE422541	6							Screw		
40	VOE471856	6							Sealing ring		
41		1							Breather pipe		See ref 212/150

Date: <b>2014/1/18</b>	Image id: <b>FL129</b>	Catalogue: <b>99514</b>	Model: <b>EC450</b>
Brand: <b>Åkerman</b>	Serial: <b>1601-1781</b>	Group/Section: <b>212/150</b>	Title: <b>Crankcase ventilation</b>

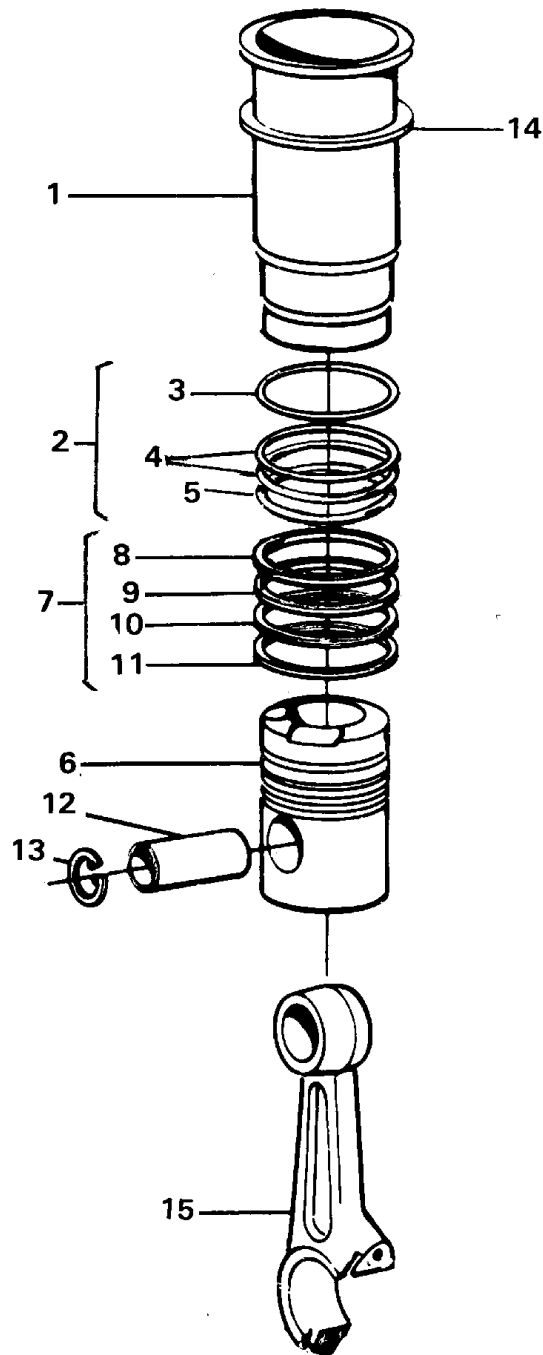


Pos	Part	Q1	Q2	Q3	Q4	Q5	PS	Kit	Description	Option(s)	Remark
1	VOE11031926	1							Bracket		
2	VOE955560	2							Hexagon screw		
3	VOE940280	2							Spring washer		
4	VOE13940133	2							Screw		
5	VOE13942336	2							Spring washer		
6	VOE11033878	1							Oil trap		
7	VOE943483	2							Hose clamp		
8	VOE11031929	1							Tube		
9	VOE421158	1							Sealing ring		
10	VOE11031935	1							Clamp		
11	VOE940199	1							Hexagon screw		
12	VOE13955894	1							Washer		
13	VOE11031305	1							Hose		(VOE11031930)
14	VOE943476	2							Hose clamp		
15	VOE11031940	1							Pipe		(VOE11031932)

16	VOE983342	REQ							Hose		(VOE977316)L 500mm	=
17	VOE943470	2							Hose clamp			
18	VOE11031931	1							Reduction nipple			
19	VOE7025167	1							Hollow screw			
20	VOE13969011	2							Gasket			
21	VOE14046732	1							Hose			
22	VOE943476	1							Hose clamp			



Date: <b>2014/1/18</b>	Image id: <b>FL104</b>	Catalogue: <b>99514</b>	Model: <b>EC450</b>
Brand: <b>Åkerman</b>	Serial: <b>1601-1781</b>	Group/Section: <b>213/100</b>	Title: <b>Cylinder liner and piston</b>

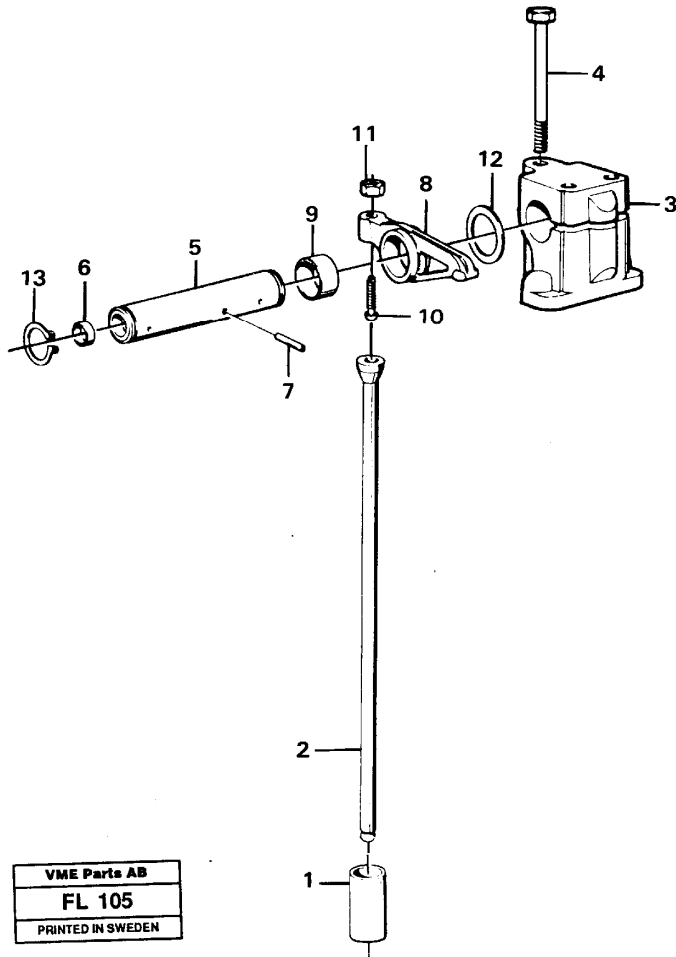


<b>VME Parts AB</b>
<b>FL 104</b>
<b>PRINTED IN SWEDEN</b>

Pos	Part	Q1	Q2	Q3	Q4	Q5	PS	Kit	Description	Option(s)	Remark
	VOE275634	6							Cylinder liner kit		
1	VOE478140	6					NS		•Cylinder liner		
2	VOE270950	6							•Sealing Kit		
3	VOE470922	6							••Seal Ring		

4	VOE470190	12					NS		••Sealing ring		
5	VOE424833	6					SE		••Sealing ring		
	VOE478150	6					NS		•Piston		
7	VOE270603	6							•Piston Ring Kit		
8	VOE470855	6					NS		••Compress. ring, upper		
9	VOE468033	6					NS		••Oil ring		
10	VOE478036	6					NS		••Compress. ring, lower		
11	VOE468587	6					NS		••Expanding- / oil ring		
12	VOE479875	6					NS		•Piston Pin		
13	VOE423124	12							•Lock Ring		
14	VOE468271	REQ							Shim		THICK = 0,2
14	VOE468272	REQ							Shim		THICK = 0,3
14	VOE468273	REQ							Shim		THICK = 0,5
15		1							Connecting rod		See ref 216/100

Date: <b>2014/1/18</b>	Image id: <b>FL105</b>	Catalogue: <b>99514</b>	Model: <b>EC450</b>
Brand: <b>Åkerman</b>	Serial: <b>1601-1781</b>	Group/Section: <b>214/100</b>	Title: <b>Valve mechanism</b>

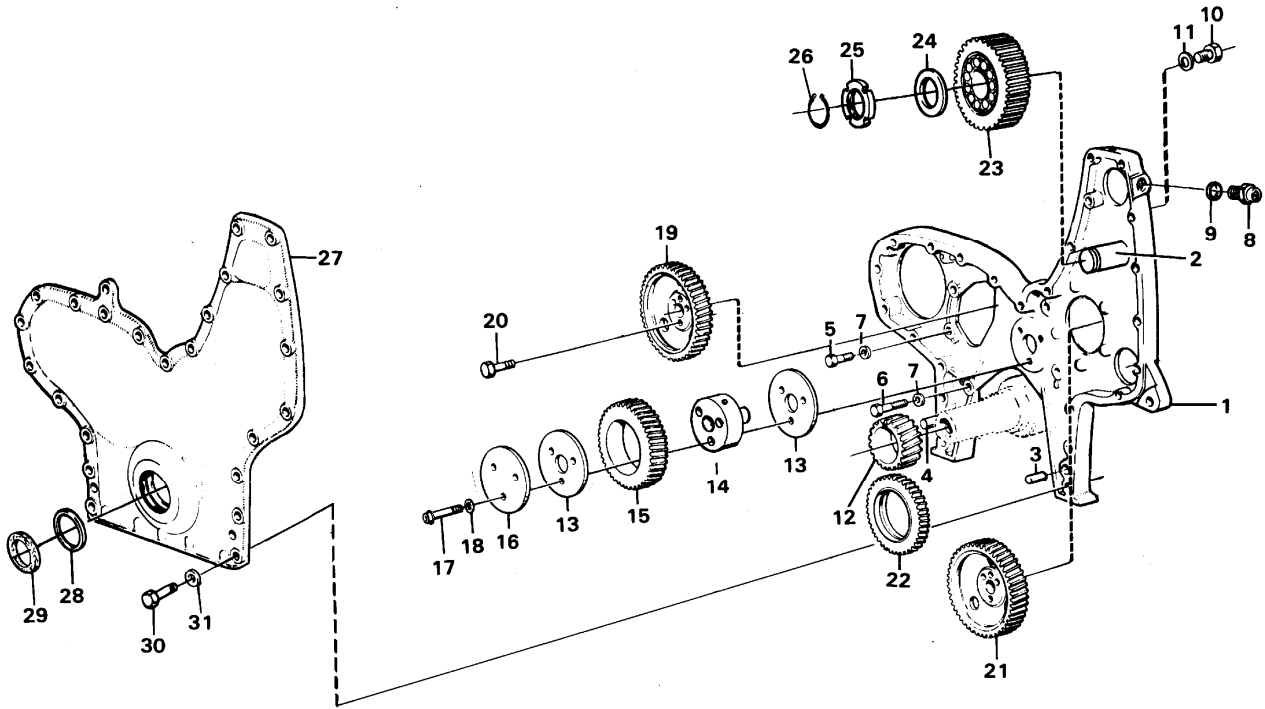


VME Parts AB  
FL 105  
PRINTED IN SWEDEN

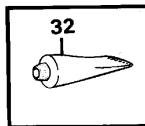
Pos	Part	Q1	Q2	Q3	Q4	Q5	PS	Kit	Description	Option(s)	Remark
1	VOE479863	12							Tappet		
2	VOE423021	12							Push rod		(VOE423021)
3	VOE423266	6							Bearing Bracket		
4	VOE423331	18							Screw		
5	VOE423267	6							Shaft		
6	VOE946778	12							•Cap plug		
7	VOE950499	6							•Pin		
8	VOE423263	12							Rocker arm		
9	VOE422066	12							•Bushing		
10	VOE422993	12							•Bolt		
11	VOE940175	12							•Nut		
12	VOE423269	12							Washer		
13	VOE914459	12							Retaining ring		

14	VOE423403	5							Cover		
15	VOE423404	1							Cover		
16	VOE424692	6							Gasket		
17	VOE13955527	12							Screw		(955527)
18	VOE942580	12							Gasket		
19	VOE421753	1							Filler cap		
20	VOE955126	3							•Cross recessed screw		
21	VOE1275379	1							Gasket		(VOE940096)

Date: <b>2014/1/18</b>	Image id: <b>FL106</b>	Catalogue: <b>99514</b>	Model: <b>EC450</b>
Brand: <b>Åkerman</b>	Serial: <b>1601-1781</b>	Group/Section: <b>215/100</b>	Title: <b>Timing gear casing and gears</b>



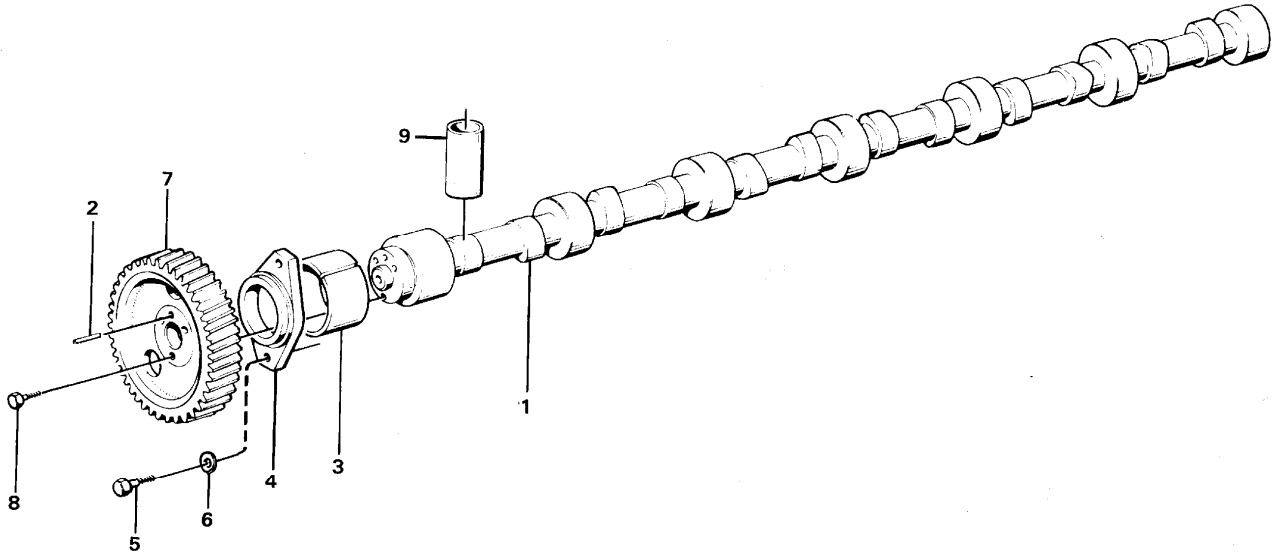
VME Parts AB  
FL 106  
PRINTED IN SWEDEN



Pos	Part	Q1	Q2	Q3	Q4	Q5	PS	Kit	Description	Option(s)	Remark
1	VOE479666	1					SS		Tmg Gear Casing		
	VOE8194639	1							Tmg Gear Casing		
	VOE478857	1					NS		•Timing gear casing		
2	VOE470219	1					SS		•Pin		
	VOE8194626	1							•Pin		
3	VOE13941510	1							•Pin		
4	VOE13941511	1							•Pin		
5	VOE13940159	4							Screw		L = 29
6	VOE13940159	1							Screw		
7	VOE13941907	5							Spring Washer		
8	VOE862289	1							Eng Sp Sensor		
9	VOE925059	1							O-ring		
10	VOE7192114	1							Plug		7/8UNF
10	VOE13960633	1							Plug		M20

11	VOE13947627	1							Plane Gasket		(VOE947627)
11	VOE13947625	1							Plane Gasket		
12		1							Gear, crank shaft		See ref 216/100
13	VOE478951	2							Thrust Washer		(VOE467529)
14	VOE8192636	1							Bearing spindle		(VOE479779)
15	VOE479653	1							Idler Gear		
	VOE479687	1							•Bushing		
16	VOE478954	1							Bearing Shield		
17	VOE468738	3							Screw		
18	VOE942180	3							Disc Spring		
19	VOE478297	1							Gear		
20	VOE471555	3							Screw		
21		1							Gear, injection pump		See ref 236/200
22		1							Idle gear		See ref 221/100
23	VOE478959	1							Idler Gear		
	VOE478783	1							•Bearing		
	VOE914532	1							•Snap Ring		
24	VOE470427	1							Wear Ring		
25	VOE478955	1							Round Nut		
26	VOE914532	1							Snap Ring		
27	VOE11031091	1							Cover		
28	VOE424983	1							•Sealing ring		
29	VOE941666	1							•Felt Ring		
30	VOE13940162	8							Screw		L = 38
30	VOE955540	2							Screw		L = 70
30	VOE955542	10							Screw		L = 83
30	VOE941939	4							Screw		
30	VOE955537	2							Screw		L = 51
31	VOE13942336	22							Spring Washer		
32	VOE1161277	REQ							Sealant		20 G

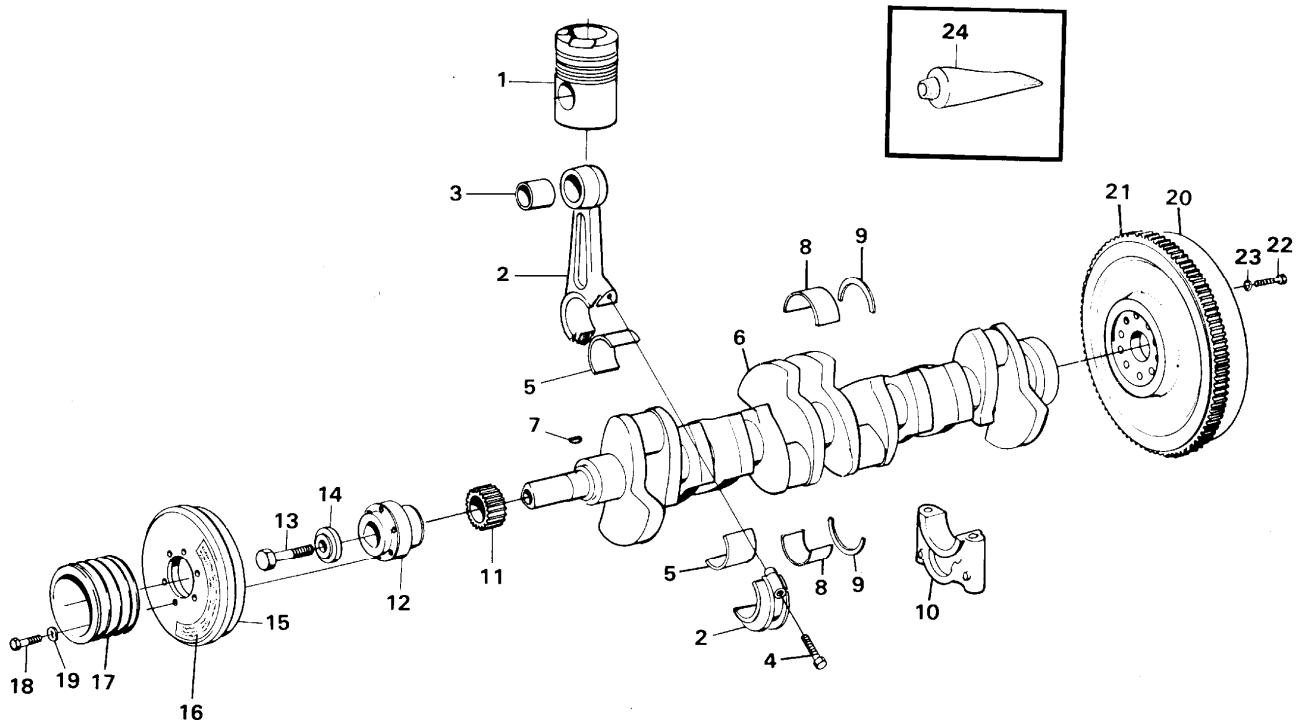
Date: <b>2014/1/18</b>	Image id: <b>FL107</b>	Catalogue: <b>99514</b>	Model: <b>EC450</b>
Brand: <b>Åkerman</b>	Serial: <b>1601-1781</b>	Group/Section: <b>215/150</b>	Title: <b>Camshaft</b>



<b>VME Parts AB</b>
<b>FL 107</b>
<b>PRINTED IN SWEDEN</b>

Pos	Part	Q1	Q2	Q3	Q4	Q5	PS	Kit	Description	Option(s)	Remark
1	VOE8193727	1							Camshaft		(VOE479620)
2	VOE950588	1							•Pin		
3		7							Bushing		See ref 212/100
4	VOE465789	1							Flange		(VOE469324)
5	VOE13940115	2							Screw		
6	VOE13942336	2							Spring washer		
7		1							Camshaft gear		See ref 215/100
8		3							Screw		See ref 215/100
9		12							Tappet		See ref 214/100

Date: <b>2014/1/18</b>	Image id: <b>FL108</b>	Catalogue: <b>99514</b>	Model: <b>EC450</b>
Brand: <b>Åkerman</b>	Serial: <b>1601-1781</b>	Group/Section: <b>216/100</b>	Title: <b>Crankshaft and related parts</b>



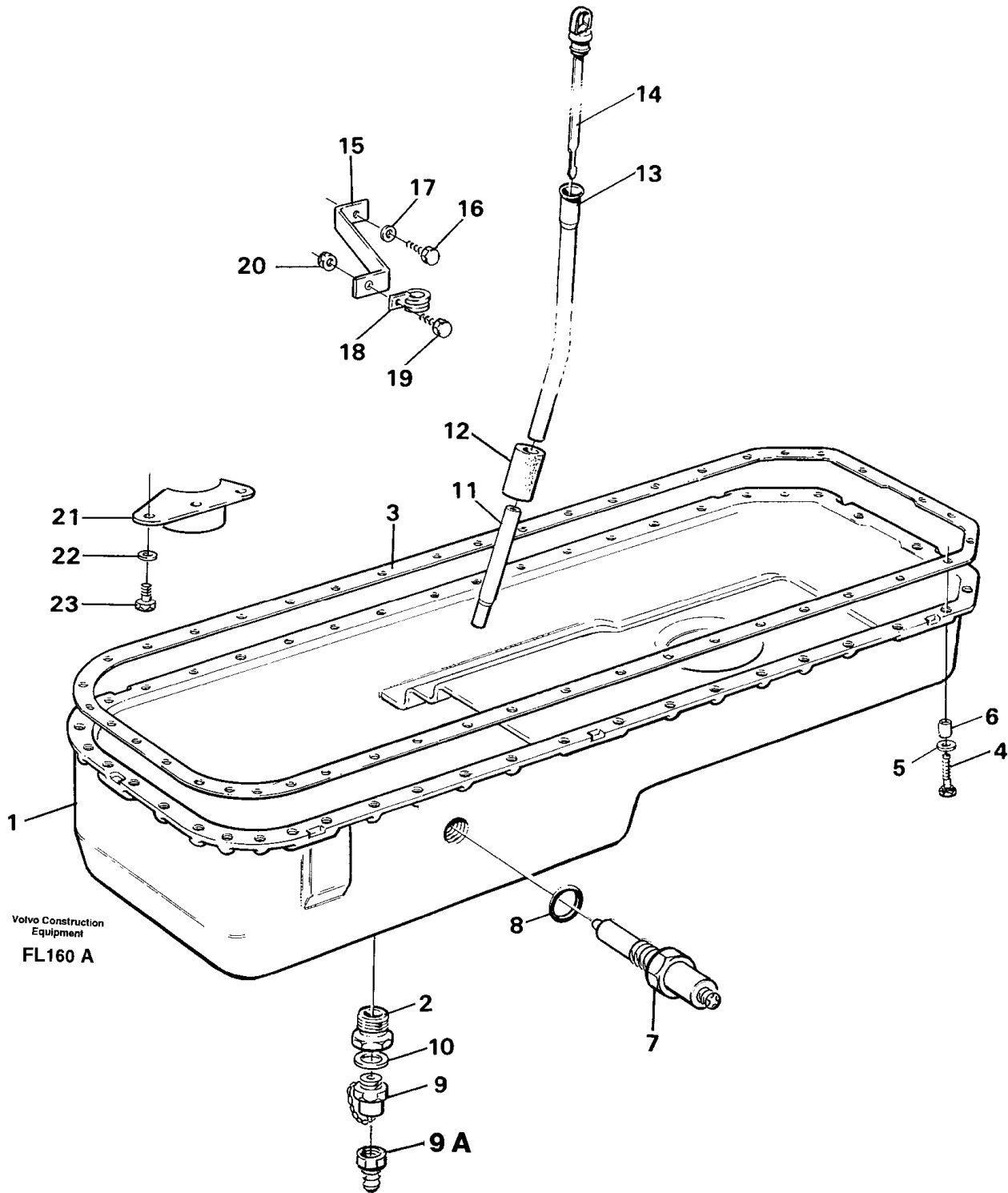
VME Parts AB  
FL 108  
PRINTED IN SWEDEN

Pos	Part	Q1	Q2	Q3	Q4	Q5	PS	Kit	Description	Option(s)	Remark
1		6							Piston		
2	VOE470424	6							Connecting rod		
3	VOE470434	6							•Bushing		
4	VOE1545479	12							•Screw		
5	VOE270130	6							Big End Brg Kit		STD
5	VOE270131	6							Big End Brg Kit		0,25 MM U SZ
5	VOE270132	6							Big End Brg Kit		0,50 MM U SZ
5	VOE270133	6							Big End Brg Kit		0,75 MM U SZ
5	VOE270134	6							Big End Brg Kit		1,00 MM U SZ
5	VOE270135	6							Big End Brg Kit		1.25 MM U SZ
6	VOE8125583	1							Crankshaft		(VOE478676)
7	VOE422253	1							•Key		
8	VOE270449	7							Main bearing kit		STD
8	VOE270450	7							Main bearing kit		0,25 MM U SZ



8	VOE270451	7						Main bearing kit		0,50 MM U SZ
8	VOE270452	7						Main bearing kit		0,76 MM U SZ
8	VOE270453	7						Main bearing kit		1,01 MM U SZ
8	VOE270454	7						Main bearing kit		1,27 MM U SZ
9	VOE3093651	1						Thrust washer kit		(VOE276791)STD
9	VOE3093652	1						Thrust washer kit		(VOE276792)0.1 MM O SZ
9	VOE3093653	1						Thrust washer kit		(VOE276793)0.2 MM O SZ
10		7					NS	Cap		
11	VOE423080	1						Gear		
12	VOE478506	1					SS	Hub		
13	VOE941494	1						Screw		
14	VOE422124	1						Washer		
15	VOE422924	1						Vibration damper		
16	VOE467834	1						Sign		
17	VOE470281	1						Pulley		
18	VOE955553	6						Hexagon screw		
19	VOE13941909	6						Washer		
20	VOE864997	1					OP	Flywheel		
21	VOE420794	1						•Gear ring		
22	VOE941570	14						Screw		
23	VOE467773	14						Washer		
24	VOE1161277	REQ						Sealant		20 G

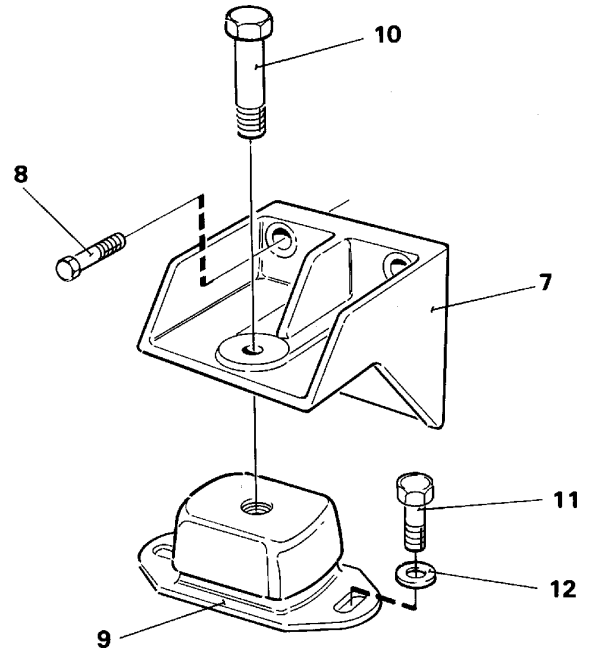
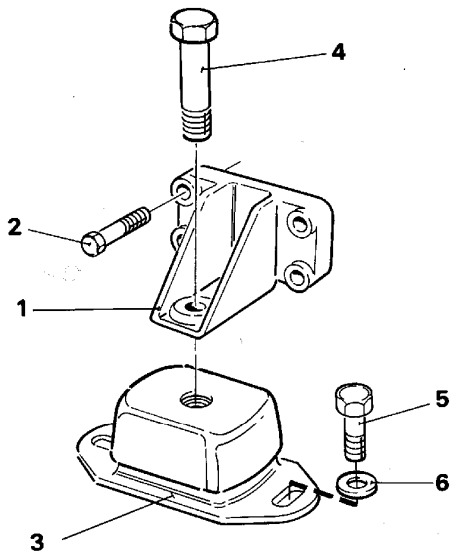
Date: <b>2014/1/18</b>	Image id: <b>FL160A</b>	Catalogue: <b>99514</b>	Model: <b>EC450</b>
Brand: <b>Åkerman</b>	Serial: <b>1601-1781</b>	Group/Section: <b>217/100</b>	Title: <b>Oil sump</b>



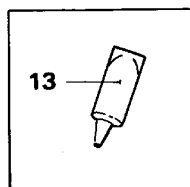
Pos	Part	Q1	Q2	Q3	Q4	Q5	PS	Kit	Description	Option(s)	Remark
1	VOE11031870	1							Oil pan		

2	VOE4771546	1							•Nipple		
3	VOE11031523	1							Gasket		
4	VOE13955527	27							Screw		
5	VOE13941907	27							Washer		
6	VOE930434	27							Spacer ring		
7	VOE14263367	1							Level guard		
8	VOE957180	1							Gasket		
9	VOE11054692	1							Valve		
9A	VOE11054659	1							Connector		
10	VOE949329	1							Gasket		
11	VOE1675989	1							Tube		
12	VOE8149606	1							Rubber hose		(VOE8149244)
13	VOE11031919	1							Tube		
14	VOE11032092	1							Oil dipstick		
15	VOE11031925	1							Bracket		
16	VOE940100	1							Hexagon screw		
17	VOE13941906	1							Washer		
18	VOE13949747	1							Clamp		
19	VOE946440	1							Flange screw		
20	VOE13945408	1							Nut		
21	VOE479796	1							Bracket		
22	VOE940161	3							Hexagon screw		
23	VOE13941907	3							Washer		

Date: <b>2014/1/18</b>	Image id: <b>FL171</b>	Catalogue: <b>99514</b>	Model: <b>EC450</b>
Brand: <b>Åkerman</b>	Serial: <b>1601-1781</b>	Group/Section: <b>218/100</b>	Title: <b>Engine mounting SER NO -1769</b>

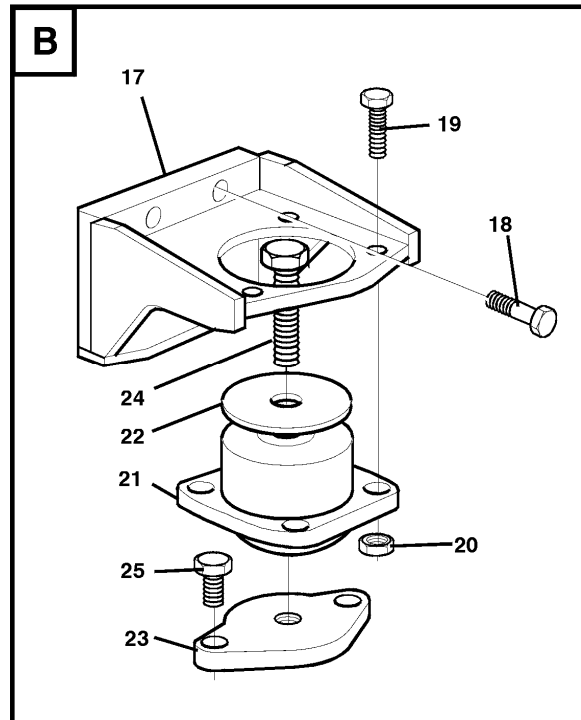
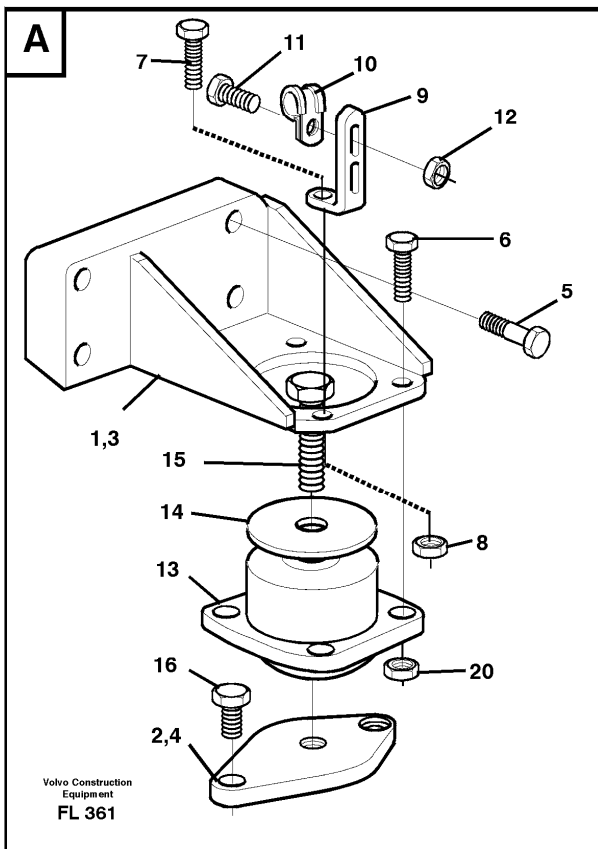
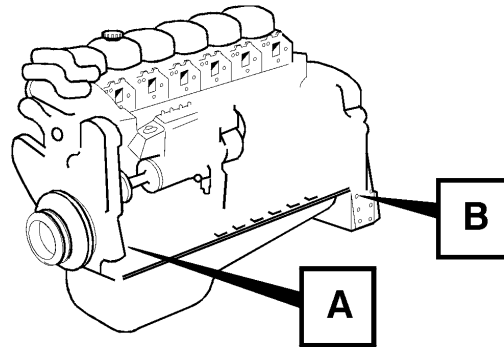


VME Parts AB  
FL 171  
PRINTED IN SWEDEN



Pos	Part	Q1	Q2	Q3	Q4	Q5	PS	Kit	Description	Option(s)	Remark
1	VOE14054866	2					OP		Engine anchorage		LH
2	VOE955581	8							Hexagon screw		
3	VOE14216299	2							Rubber damper		
4	VOE955388	2							Hexagon screw		
5	VOE955363	4							Hexagon screw		
6	VOE14266321	4							Washer		
7	VOE14262706	2							Engine anchorage		RH
8	VOE13965193	12							Screw		
9	VOE14213835	2							Rubber damper		
10	VOE955388	2							Hexagon screw		
11	VOE955363	4							Hexagon screw		
12	VOE14266321	4							Washer		
13	VOE14024293	REQ					OP		Locking fluid		

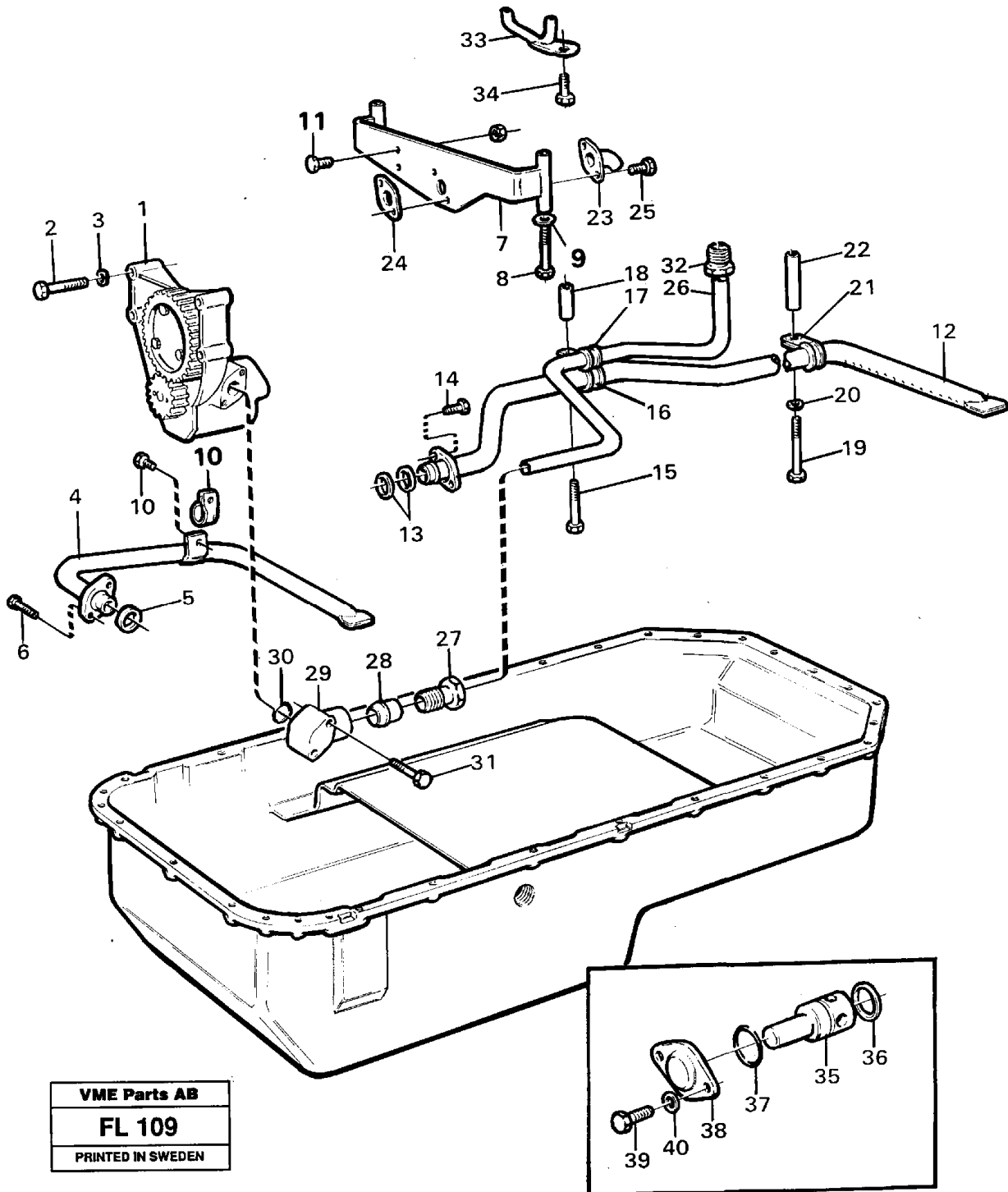
Date: <b>2014/1/18</b>	Image id: <b>FL361</b>	Catalogue: <b>99514</b>	Model: <b>EC450</b>
Brand: <b>Åkerman</b>	Serial: <b>1601-1781</b>	Group/Section: <b>218/150</b>	Title: <b>Engine mounting SER NO 1770-</b>



Pos	Part	Q1	Q2	Q3	Q4	Q5	PS	Kit	Description	Option(s)	Remark
1	VOE14342181	1					SS		Engine anchorage		FRONT
2	VOE14342202	1							Adapter		FRONT
3	VOE14342203	1					SS		Engine anchorage		FRONT
4	VOE14342183	1							Adapter		FRONT
5	VOE14310035	8							Lock screw		
6	VOE13965185	7							Screw		
7	VOE13965220	1							Screw		
8	VOE13971089	8							Lock nut		
9	VOE13965562	1							Bracket		
10	VOE952641	1							Clamp		

11	VOE13955271	1						Screw		
12	VOE13955781	1						Nut		
13	VOE14343643	2						Rubber cushion		(VOE14341744)
14	VOE14343171	2						Washer		
15	VOE14310031	4					OP	Lock screw		
16	VOE14310034	4						Lock screw		
17	VOE14342182	2					OP	Engine anchorage		REAR
18	VOE14310036	8						Flg Lock Screw		
19	VOE13965185	8						Screw		
20	VOE13971089	8						Lock nut		
21	VOE14343643	2						Rubber cushion		(VOE14341744)
22	VOE14343171	2						Washer		
23	VOE14342184	2					OP	Adapter		REAR
24	VOE14310031	2					OP	Lock screw		
25	VOE14310034	4						Lock screw		

Date: <b>2014/1/18</b>	Image id: <b>FL109</b>	Catalogue: <b>99514</b>	Model: <b>EC450</b>
Brand: <b>Åkerman</b>	Serial: <b>1601-1781</b>	Group/Section: <b>220/100</b>	Title: <b>Lubricating oil system</b>



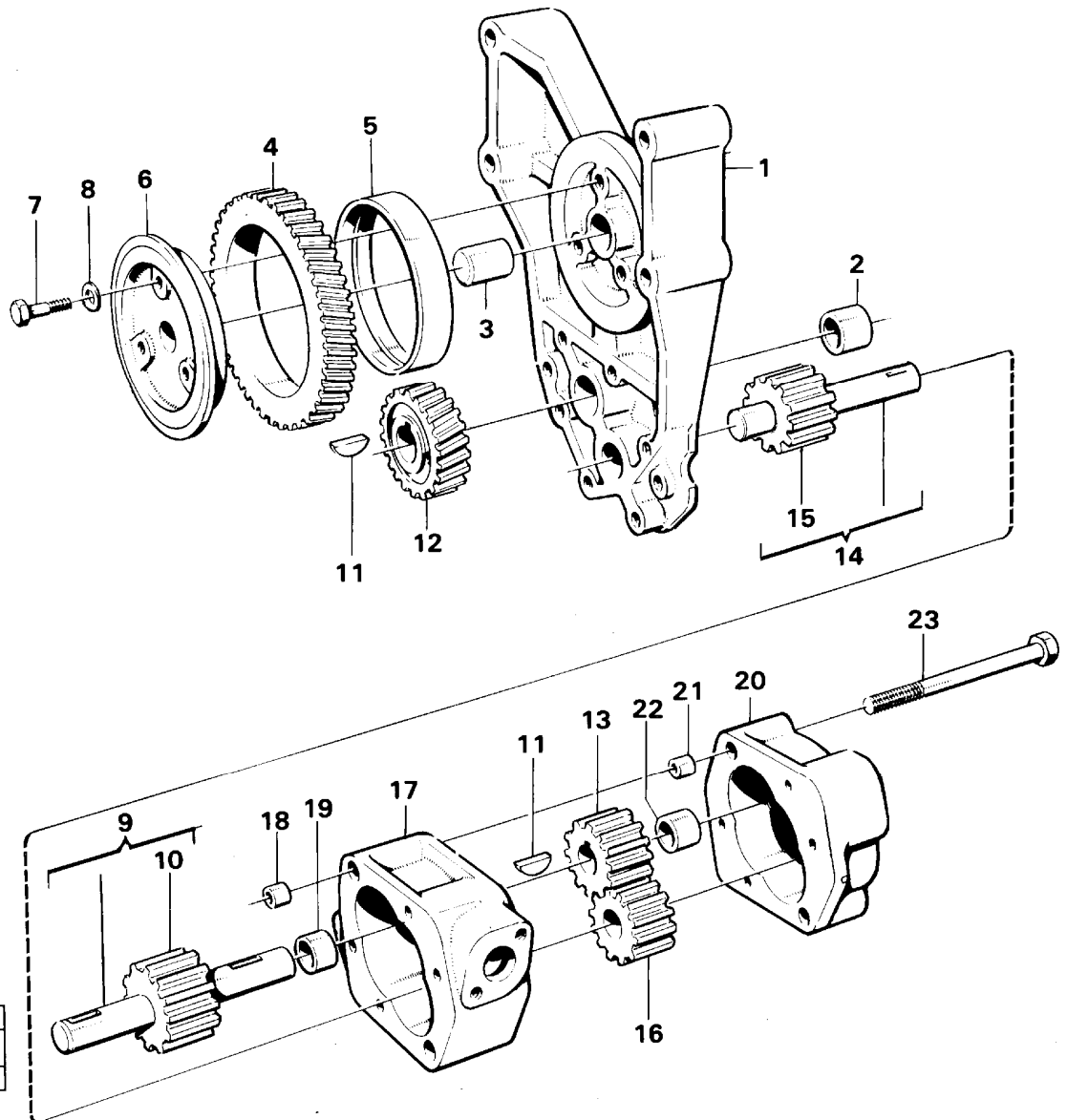
**VME Parts AB**  
**FL 109**  
PRINTED IN SWEDEN

Pos	Part	Q1	Q2	Q3	Q4	Q5	PS	Kit	Description	Option(s)	Remark
1		1							Oil pump		See ref 221/100
2	VOE955538	4							Hexagon screw		

3	VOE13942336	4							Spring washer		
4	VOE11031723	1							Suction pipe		
5	VOE470383	2							Sealing ring		
6	VOE955296	2							Hexagon screw		
7	VOE11031828	1							Bracket		
8	VOE955531	2							Hexagon screw		
9	VOE13955894	2							Washer		(VOE955894)
10	VOE968508	1							Clamp		
11	VOE13966378	1							Flange screw		
12	VOE11031725	1							Suction pipe		
13	VOE470383	2							Sealing ring		
14	VOE13941678	2							Hexagon screw		
15	VOE13955527	1							Screw		(VOE955527)
16	VOE968508	1							Clamp		
17	VOE7190159	1							Clamp		
18	VOE807257	1							Spacer sleeve		
19	VOE955531	1							Hexagon screw		
20	VOE13941907	2							Washer		
21	VOE968508	1							Clamp		
22	VOE11031637	1							Spacer sleeve		
23	VOE4778425	1							Pipe		
24	VOE4778427	1							Flange		
25	VOE13941678	2							Hexagon screw		
26	VOE11031618	1							Oil feed pipe		
27	VOE470377	1							Connector		
28	VOE956973	1					SS		Ferrule		
29	VOE4778338	1							Flange		
30	VOE13949657	1							O-ring		
31	VOE13965216	2							Screw		
32	VOE466908	1							Fitting		
33	VOE468539	6							Nozzle		
34	VOE13948587	6							Lock screw		
35	VOE471707	1							Reduction valve		
36	VOE469846	1							Sealing ring		
37	VOE949658	1							O-ring		
38	VOE471752	1							Cover		
39	VOE940100	2							Hexagon screw		
40	VOE13949607	2							Washer		



Date: <b>2014/1/18</b>	Image id: <b>FL110</b>	Catalogue: <b>99514</b>	Model: <b>EC450</b>
Brand: <b>Åkerman</b>	Serial: <b>1601-1781</b>	Group/Section: <b>221/100</b>	Title: <b>Oil pump</b>

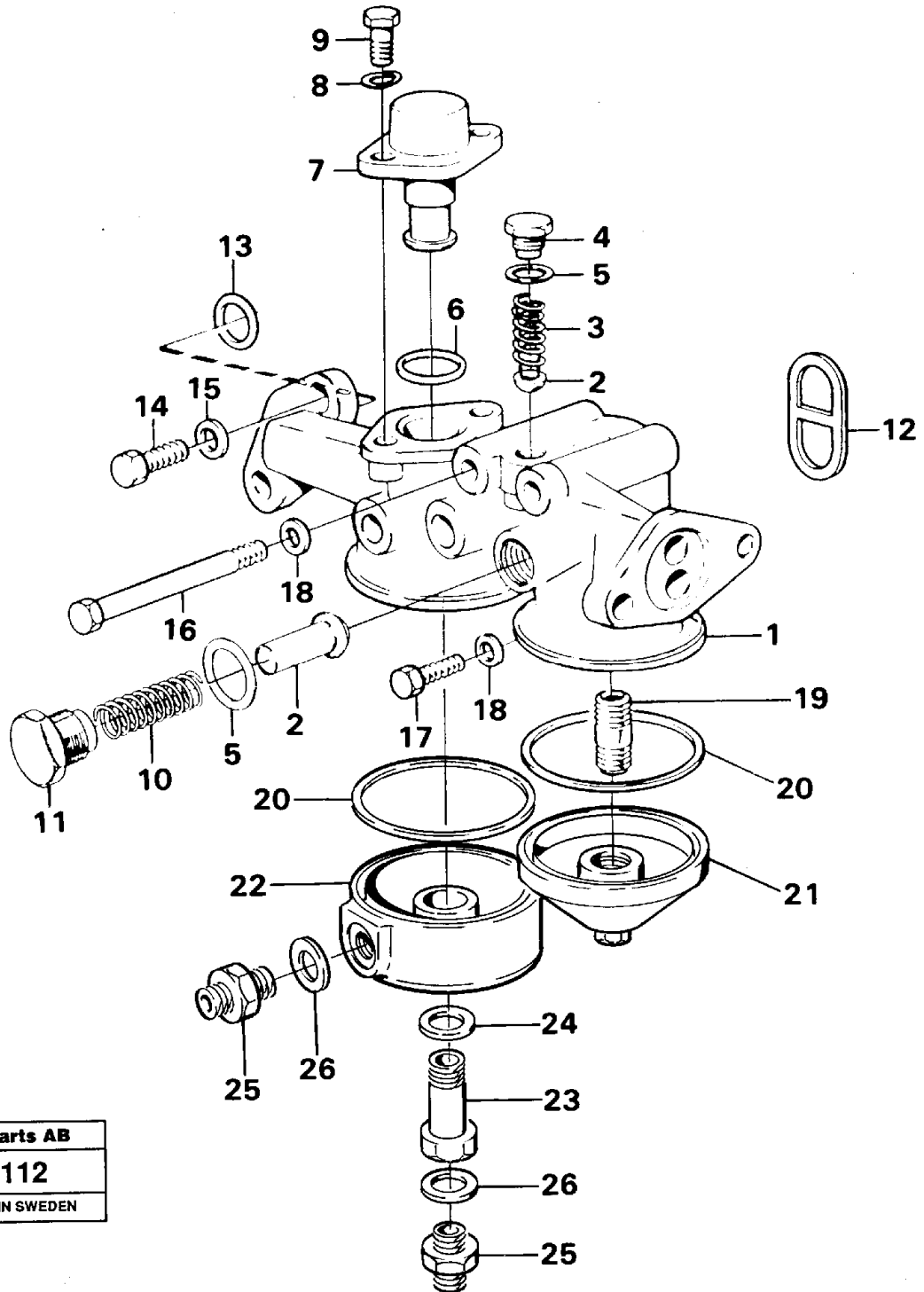


VME Parts AB  
FL 110  
PRINTED IN SWEDEN

Pos	Part	Q1	Q2	Q3	Q4	Q5	PS	Kit	Description	Option(s)	Remark
	VOE11031607	1							Oil pump		
1	VOE470348	1					NS		•Bracket		
2	VOE470347	2							••Bushing		
3	VOE191171	1							••Pin		(VOE7191171)
4	VOE422047	1							•Idler gear		
5	VOE422314	1							••Bushing		
6	VOE422313	1							•Bearing sleeve		
7	VOE940186	3							•Hexagon screw		

8	VOE13941907	3						K	•Washer		(941907)
9	VOE4778319	1						K	•Shaft		
10	VOE470353	1							••Pump rotor		
11	VOE910115	3							•Woodruff key		
12	VOE470356	1							•Drive Gear		
13	VOE4778435	1							•Gear		
14	VOE4778325	1						K	•Shaft		
15	VOE470353	1							••Pump rotor		
16	VOE470353	1							•Pump rotor		
17	VOE11031606	1						NS	•Oil pump housing		
18	VOE401146	2							••Guide sleeve		
19	VOE469681	2							••Bearing Bushing		
20	VOE470344	1						NS	•Oil pump housing		
21	VOE401146	2							••Guide sleeve		
22	VOE470347	2							••Bushing		
23	VOE944446	2							•Hexagon screw		
	VOE11700221	1							Overhaul kit		

Date: <b>2014/1/18</b>	Image id: <b>FL112</b>	Catalogue: <b>99514</b>	Model: <b>EC450</b>
Brand: <b>Åkerman</b>	Serial: <b>1601-1781</b>	Group/Section: <b>222/150</b>	Title: <b>Oil filter housing</b>

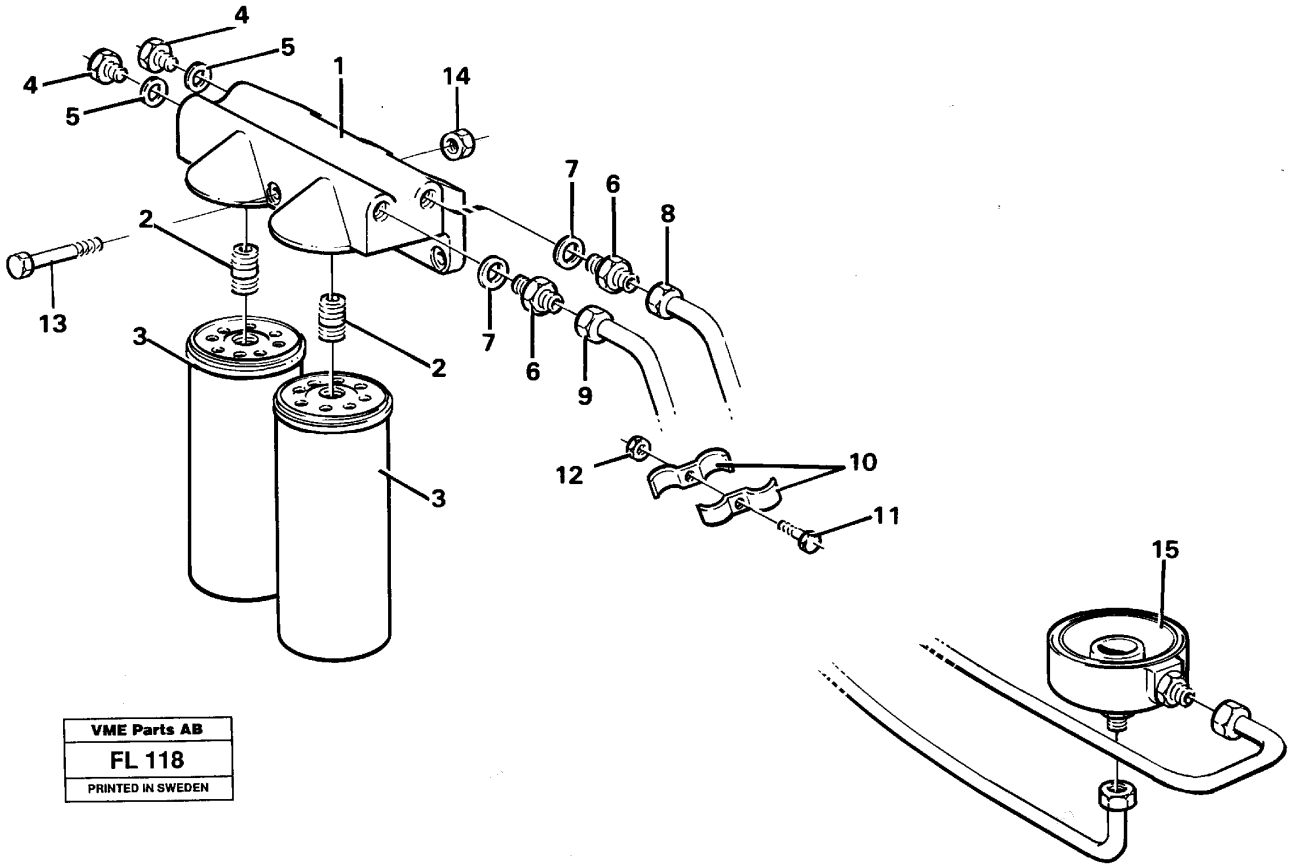


**VME Parts AB**  
**FL 112**  
PRINTED IN SWEDEN

Pos	Part	Q1	Q2	Q3	Q4	Q5	PS	Kit	Description	Option(s)	Remark
	VOE470983	1							Housing		(VOE470979)

1		1					NS		•Housing		
2	VOE471085	2							•Valve cone		
3	VOE466653	1							•Compression spring		
4	VOE466624	1							•Plug		
5	VOE957185	2							•Gasket		
6	VOE949659	1							•O-ring		
7	VOE468838	1							•Valve		
8	VOE13941906	2							•Washer		
9	VOE940094	2							•Hexagon screw		
10	VOE471775	1							•Compression spring		
11	VOE478176	1							•Plug		
12	VOE469486	1							Gasket		
13	VOE949659	1							O-ring		
14	VOE955525	2							Hexagon screw		
15	VOE13941907	2							Washer		
16	VOE942529	2							Hexagon screw		
17	VOE13940115	2							Screw		
18	VOE13942336	4							Spring washer		
19	VOE11030599	2							Nipple		
20	VOE13948981	2							O-ring		
21	VOE3812509	1							Casing		(VOE848431)
22	VOE11031906	1							Cover		
23	VOE11031907	1							Reduction nipple		
24	VOE11032095	1							Gasket		
25	VOE947554	2							Nipple		
26	VOE948885	2							Plane gasket		

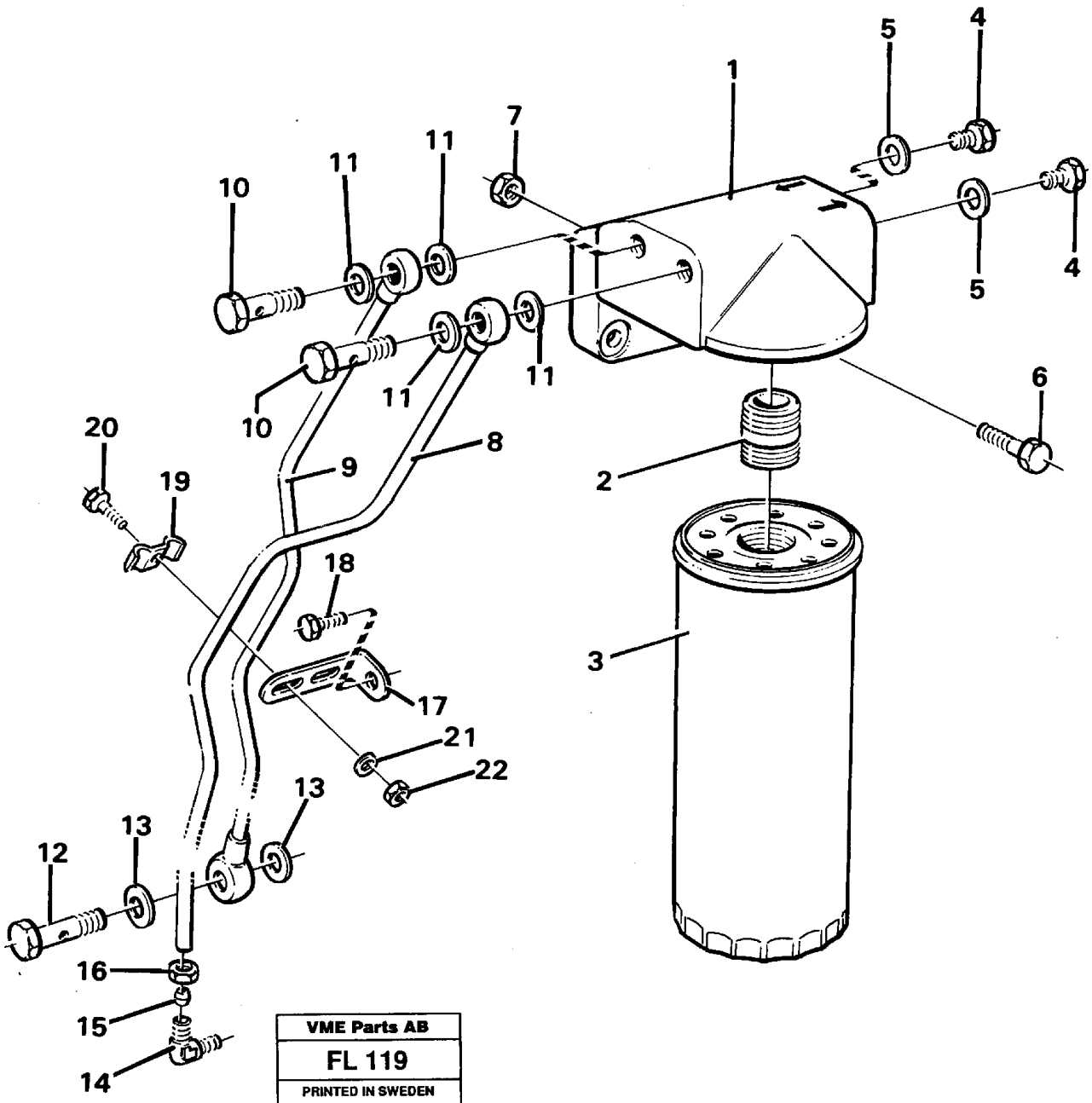
Date: <b>2014/1/18</b>	Image id: <b>FL118</b>	Catalogue: <b>99514</b>	Model: <b>EC450</b>
Brand: <b>Åkerman</b>	Serial: <b>1601-1781</b>	Group/Section: <b>222/200</b>	Title: <b>Oil filter</b>



VME Parts AB  
FL 118  
PRINTED IN SWEDEN

Pos	Part	Q1	Q2	Q3	Q4	Q5	PS	Kit	Description	Option(s)	Remark
1	VOE11031901	1							Oil Filter Hsg		
2	VOE466623	2							Nipple		
3	VOE466634	2							Oil Filter		
4	VOE13960634	2							Plug		
5	VOE13947627	2							Plane Gasket		(VOE947627)
6	VOE947554	2							Nipple		
7	VOE948885	2							Plane Gasket		
8	VOE11031914	1							Pipe		
9	VOE11031915	1							Pipe		
10	VOE947219	4							Clamp		(VOE13947219)
11	VOE965212	2							Screw		(VOE13965212)
12	VOE13945407	2							Nut		
13	VOE13965185	3							Flange screw		L = 40mm
	VOE968237	1							Flange screw		L = 120mm
14	VOE13971095	4							Flange nut		
15		1							Cap		See ref 222/150

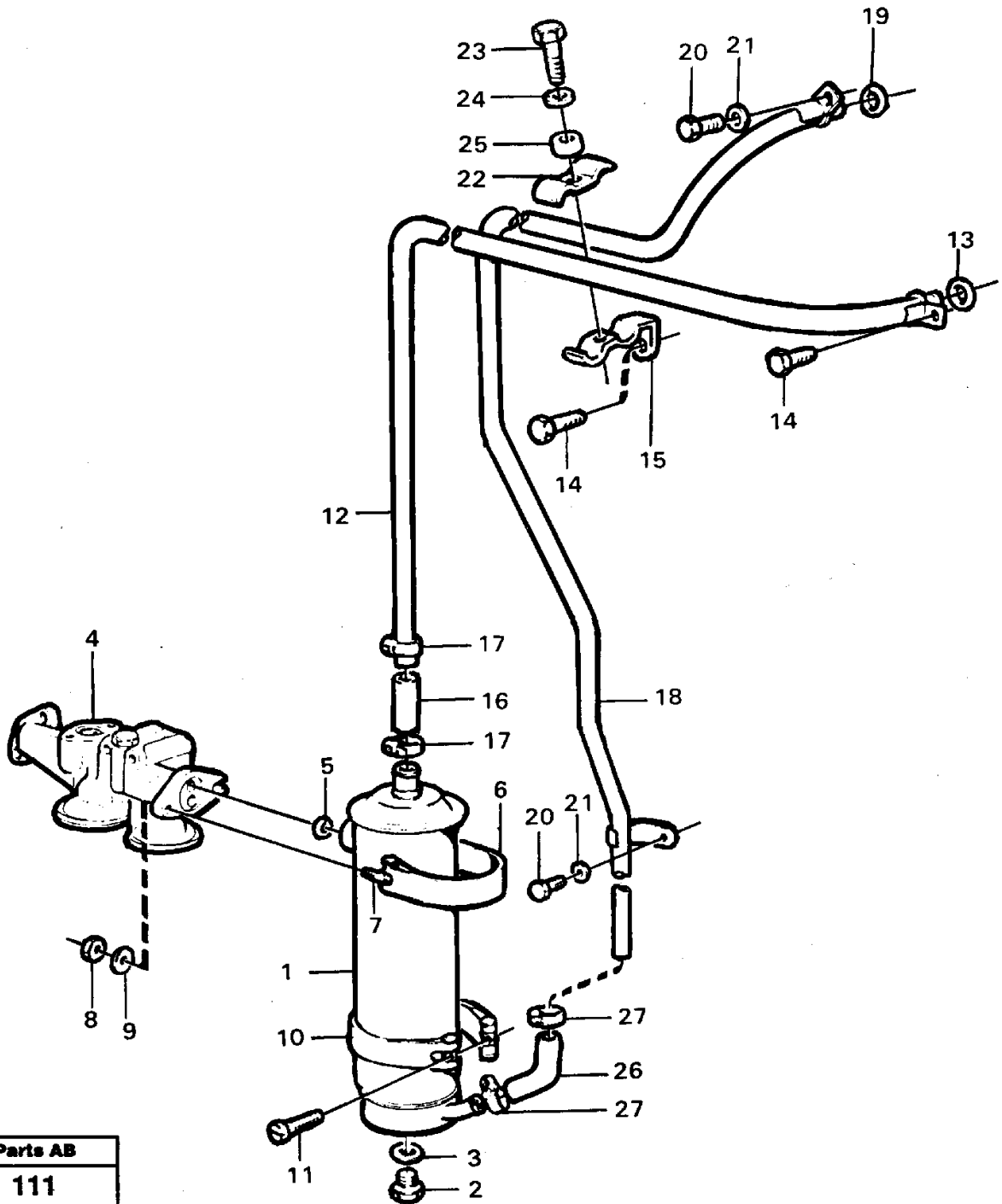
Date: <b>2014/1/18</b>	Image id: <b>FL119</b>	Catalogue: <b>99514</b>	Model: <b>EC450</b>
Brand: <b>Åkerman</b>	Serial: <b>1601-1781</b>	Group/Section: <b>222/250</b>	Title: <b>Oil filter, by pass</b>



Pos	Part	Q1	Q2	Q3	Q4	Q5	PS	Kit	Description	Option(s)	Remark
1	VOE11127104	1							Oil filter housing		(VOE11031921)
2	VOE469904	1							Nipple		
3	VOE477556	1							Oil Filter		
4	VOE960630	2							Plug		
5	VOE13947621	2							Plane gasket		

6	VOE13965185	3							Screw		
7	VOE13971095	2							Flange nut		
8	VOE11031917	1							Oil return pipe		
9	VOE11031916	1							Oil feed pipe		
10	VOE7025167	2							Hollow screw		
11	VOE13969011	4							Gasket		
12	VOE968178	1							Hollow screw		
13	VOE13947282	2							Gasket		
14	VOE966795	1							Elbow nipple		
15	VOE13946385	1							Ferrule		
16	VOE946384	1							Fitting nut		
17	VOE13965558	1							Bracket		
18	VOE947107	1							Flange screw		
19	VOE404279	1							Clamp		
20	VOE950048	1							Cross recessed screw		
21	VOE955893	1							Washer		
22	VOE955825	1							Hexagon nut		

Date: <b>2014/1/18</b>	Image id: <b>FL111</b>	Catalogue: <b>99514</b>	Model: <b>EC450</b>
Brand: <b>Åkerman</b>	Serial: <b>1601-1781</b>	Group/Section: <b>223/100</b>	Title: <b>Oil cooler</b>



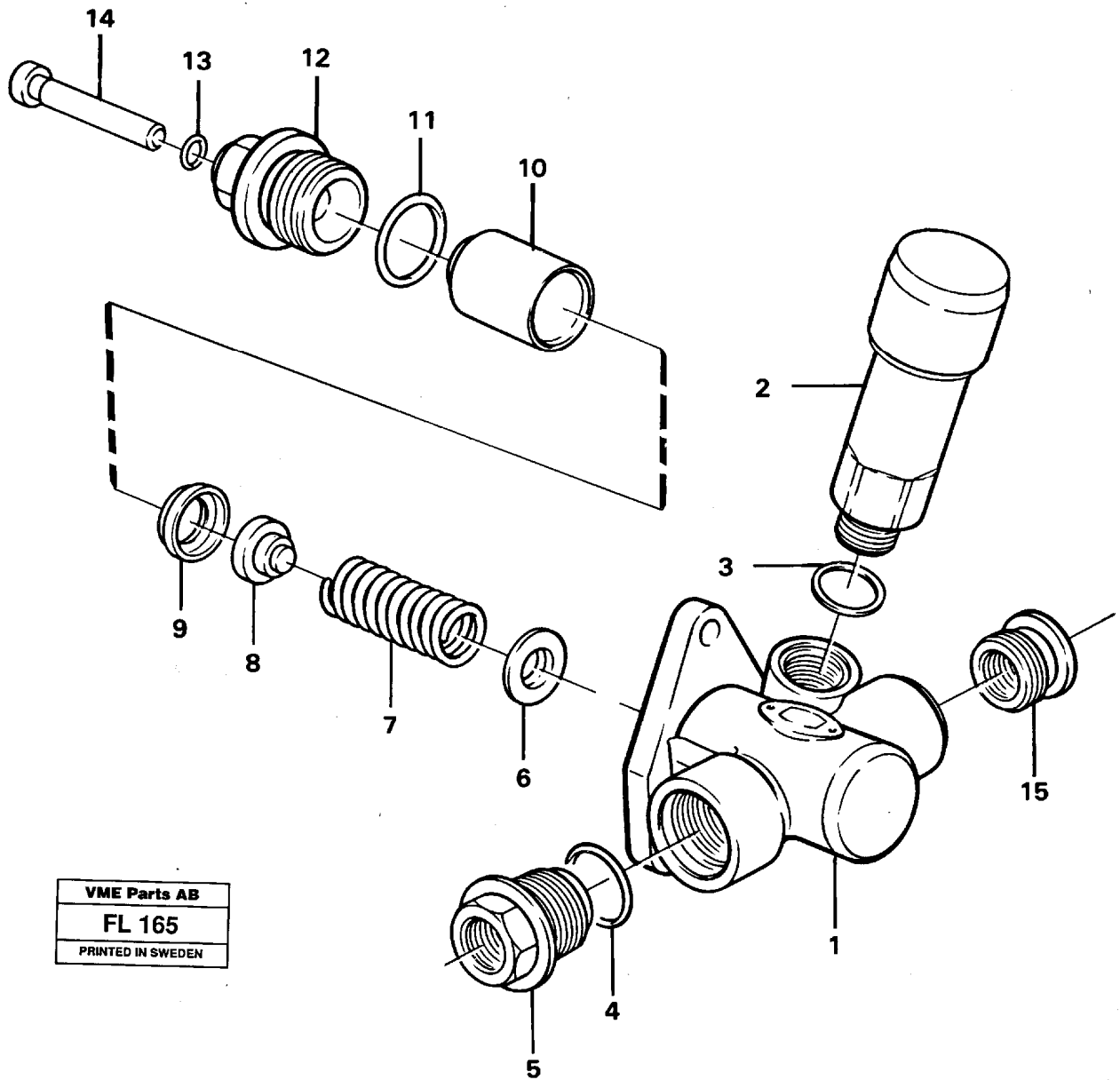
<b>VME Parts AB</b>
<b>FL 111</b>
<b>PRINTED IN SWEDEN</b>

Pos	Part	Q1	Q2	Q3	Q4	Q5	PS	Kit	Description	Option(s)	Remark
1	VOE468612	1							Oil cooler		
2	VOE180759	1							•Plug		



3	VOE13947281	1							•Gasket		
4		1							Housing		See ref 222/150
5	VOE469483	2							Sealing ring		
6	VOE1545255	1							Tensioning band		
7	VOE924072	2							Stud		
8	VOE955782	2							Hexagon nut		
9	VOE976944	2							Washer		(VOE13960141)
10	VOE1545256	1							Tensioning band		
11	VOE1545257	1							Screw		
12	VOE468774	1							Pipe		
13	VOE470527	1							Sealing ring		
14	VOE13942624	2							Flange screw		(EH942624)
15	VOE468772	1							Bracket		
16	VOE944386	REQ							Hose		L = 80mm
17	VOE943475	2							Hose clamp		
18	VOE470419	1					SS		Tube		
19	VOE470527	1							Sealing ring		
20	VOE13942624	2							Flange screw		
21	VOE13941907	2							Washer		
22	VOE468684	1							Plate		
23	VOE940161	1							Hexagon screw		
24	VOE191172	1							Washer		
25	VOE470721	1							Spacer sleeve		
26	VOE11162272	1							Hose		(VOE468706)
27	VOE943475	2							Hose clamp		

Date: <b>2014/1/18</b>	Image id: <b>FL165</b>	Catalogue: <b>99514</b>	Model: <b>EC450</b>
Brand: <b>Åkerman</b>	Serial: <b>1601-1781</b>	Group/Section: <b>233/150</b>	Title: <b>Feed pump</b>



Pos	Part	Q1	Q2	Q3	Q4	Q5	PS	Kit	Description	Option(s)	Remark
	VOE863474	1							Feed pump		
1		1					NS		•Housing		
2	VOE3094547	1							•Hand pump		(VOE11991822)
3	VOE240572	1							•Gasket		
4	VOE3094341	1							•O-ring		
5	VOE3094340	1							•Nipple		
6	VOE244833	2							•Spring disc		

7	VOE862462	1							•Compression spring		
8	VOE244834	1							•Valve		
9	VOE11706665	1							•Spacer ring		(VOE244835)
10	VOE244831	1							•Piston		
11	VOE15031180	1							•O-ring		(VOE244828)
12	VOE244827	1							•Nipple		
13	VOE11716292	1							•O-ring		(VOE244829)
14	VOE862461	1							•Push rod		
15	VOE244836	1							•Bushing		

Thank you so much for reading.  
Please click the “Buy Now!”  
button below to download the  
complete manual.



After you pay.

You can download the most  
perfect and complete manual in  
the world immediately.

Our support email:

[ebooklibonline@outlook.com](mailto:ebooklibonline@outlook.com)