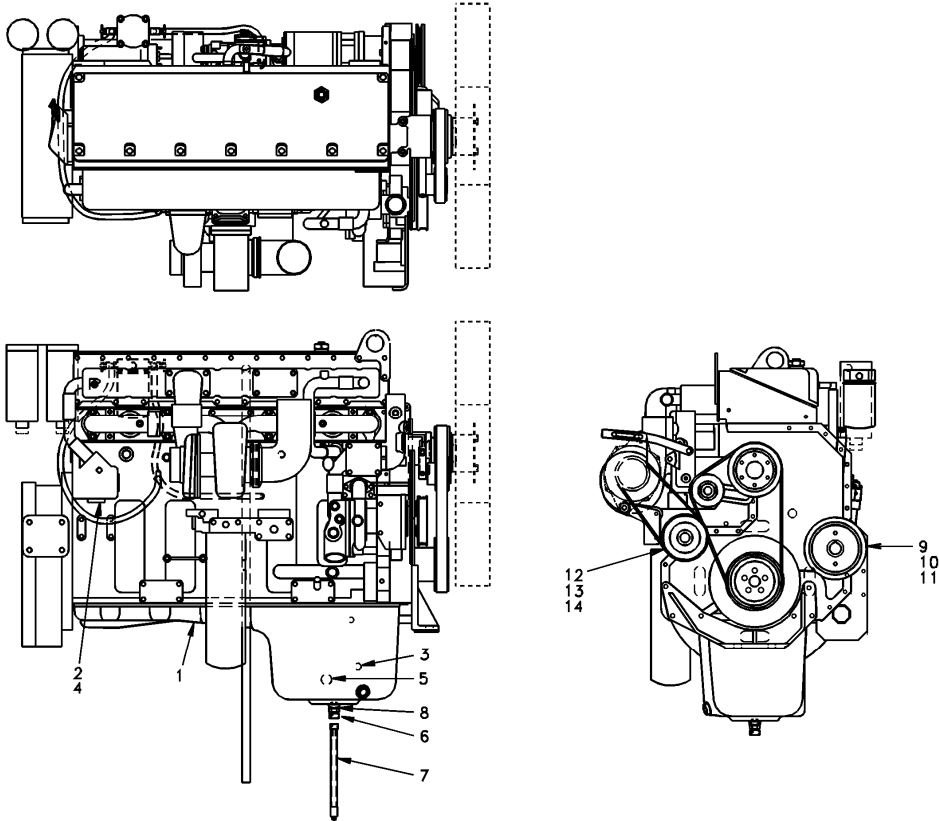


Date: 2014/1/20	Image id: SF101	Catalogue: 56123	Model: EC460
Brand: Volvo	Serial: 3001-9999	Group/Section: 210/100	Title: Engine



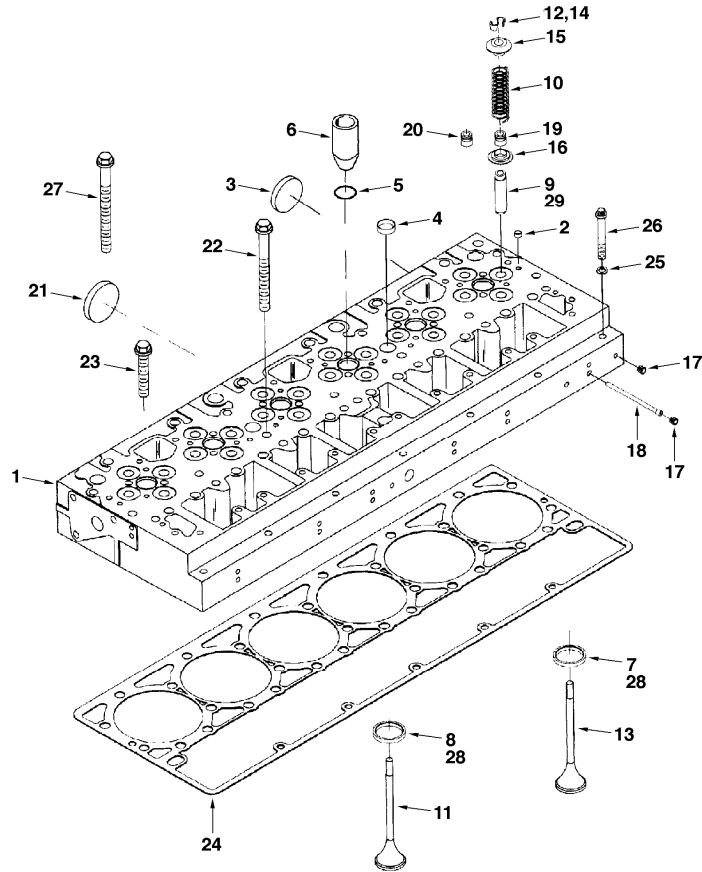
Section option	Kit	Option description
SADJ04B001		Air heater for engine
SADJ04B002		Without air pre-heater for engine
SADJ04C001		Engine block heater 120V
SADJ04C002		Engine block heater 240V

Q1-Q5	Option	Option description	
Q1 DJ04B001	SADJ04B001	Air heater for engine	
Q2 DJ04B002	SADJ04B002	Without air pre-heater for engine	
Q3 DJ04C001	SADJ04C001	Engine block heater 120V	
Q4 DJ04C002	SADJ04C002	Engine block heater 240V	

Pos	Part	Q1	Q2	Q3	Q4	Q5	PS	Kit	Description	Option(s)	Remark
1	SA1111-00791	1					SS		Engine		SER NO 3001-3235 LOW-EMISSION W/AIR HEATER

	VOE14512524	1					OP		Engine		SER NO 3236- LOW EMISSION HEATER W/AIR
	SA1111-00841		1				OP		Engine		
2	SA2011-00530				1				Heater		240V
3	SA2011-00470				1				Heater		240V
4	SA2011-00540			1					Heater		120V
5	SA2011-00480			1					Heater		120V
6	SA1012-01620	1	1						Valve		
7	SA1012-01510	1	1						Adapter		
8	VOE13947628	1	1						Plane gasket		(SA9426-20100)
9	SA3046203	1	1						Pulley		
10	SA3818229	1	1						Hexagon screw		
11	SA3818463	1	1						Washer		
12	SA3883324	1	1						Pulley		
13	SA3018671	1	1						Bolt		
14	SA3041247	1	1						Washer		

Date: 2014/1/20	Image id: SF102	Catalogue: 56123	Model: EC460
Brand: Volvo	Serial: 3001-9999	Group/Section: 211/100	Title: Cylinder head



Volvo Construction
Equipment Group
SF102

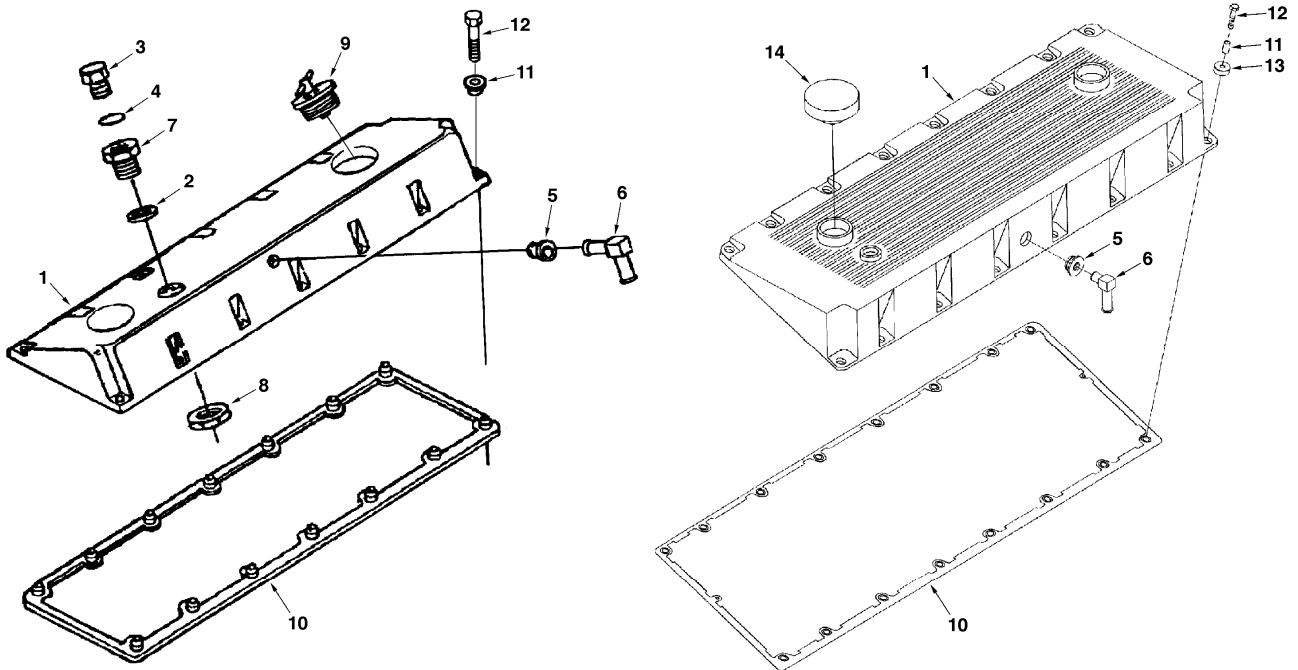
Section option	Kit	Option description
SADJ04B001		Air heater for engine
SADJ04B002		Without air pre-heater for engine

Q1-Q5	Option	Option description	
Q1 DJ04B001	SADJ04B001	Air heater for engine	
Q2 DJ04B002	SADJ04B002	Without air pre-heater for engine	

Pos	Part	Q1	Q2	Q3	Q4	Q5	PS	Kit	Description	Option(s)	Remark
1	SA3084650	1							Cylinder head		
	SA3896295		1				SS		Cylinder head		
2	SA3007632	2	2						•Plug		
3	SA206741	2	2						•Plug		
4	SA3007635	8	8						•Plug		
5	SA3007759	6	6						•Seal		
6	SA3070486	6	6						•Sleeve		

7	SA3028070	12	12						•Seat		OUTLET
8	SA3820180	12	12						•Seat		INLET
9	SA3328785	24	24						•Guide_valve Ste		(SA3073512)
10	SA3895860	24	24						•Spring		
11	SA3803310	12	12						•Valve		
12	SA3275354	24	24						••Collet		
13	SA3800639	12	12						•Outlet Valve		(SA3803730)
14	SA3275354	24	24						••Collet		
15	SA3883512	24	24						•Retainer		
16	SA3070072	24	24						•Guide		
17	SA3008465	16	16						•Plug		
18	SA3820749	6	6						•Insert		
19	SA3073509	12	12						•Seal		INLET
20	SA3328781	12	12						•Seal		OUTLET
21	SA3895479	2	2						•Plug		
22	SA3045850	29	29						Bolt		
23	SA3161515	3	3						Bolt		
24	SA3328925	1	1				SS		Gasket		
25	SA3328328	7	7						Washer		
26	SA3328637	5	5						Bolt		
27	SA3328379	2	2						Bolt		
28	SA3028071	REQ	REQ						Seat		0.25MM O SZ
	SA3028072	REQ	REQ						Seat		0.50MM O SZ
	SA3028073	REQ	REQ				NS		Seat		0.75MM O SZ
	SA3028074	REQ	REQ				NS		Seat		1.00MM O SZ
29	SA3074118	REQ	REQ						Guide		0.20MM O SZ

Date: 2014/1/20	Image id: SF103	Catalogue: 56123	Model: EC460
Brand: Volvo	Serial: 3001-9999	Group/Section: 211/200	Title: Valve cover



Volvo Construction
Equipment Group
SF103

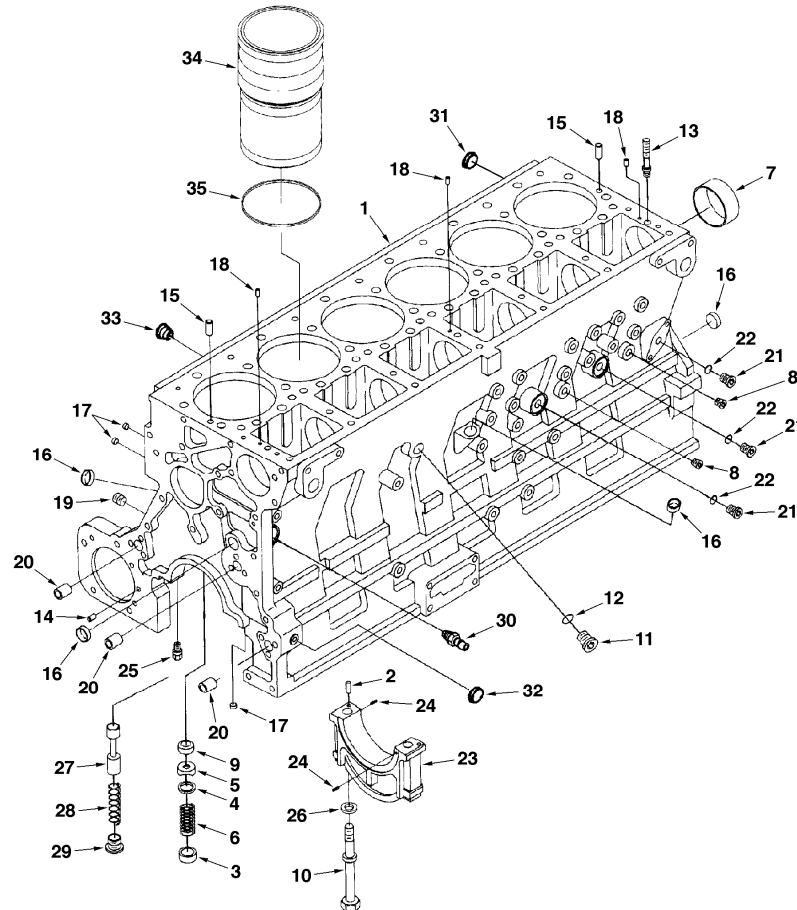
Section option	Kit	Option description
SADJ04B001		Air heater for engine
SADJ04B002		Without air pre-heater for engine

Q1-Q5	Option	Option description	
Q1 DJ04B001	SADJ04B001	Air heater for engine	
Q2 DJ04B002	SADJ04B002	Without air pre-heater for engine	

Pos	Part	Q1	Q2	Q3	Q4	Q5	PS	Kit	Description	Option(s)	Remark
1	SA3401302	1							Cover		(SA3328412) STANDARD
	SA3401308		1						Cover		TROPICAL
2	SA3035228		1						•O-ring		
3	SA3040995		1						•Plug		
	SA3040809		1				SS		••Plug		
4	SA3037537		1						••O-ring		

5	SA3042401	1	1						Seal		
6	SA3047134	1	1						Pipe		
7	SA3818150		1						•Adapter		
8	SA3818151		1						•Connecting Rod		
9	SA3029173		1						•Filler cap		
10	SA3883221	1					SS		Gasket		
	SA3883220		1						Gasket		
11	SA3883223	16	16						Insulator		
12	SA3335042	16	16						Screw		
13	SA3883222	16					OP		Spacer		
14	SA3029173	1							Filler cap		

Date: 2014/1/20	Image id: SF104	Catalogue: 56123	Model: EC460
Brand: Volvo	Serial: 3001-9999	Group/Section: 212/100	Title: Cylinder block



Volvo Construction
Equipment Group
SF104

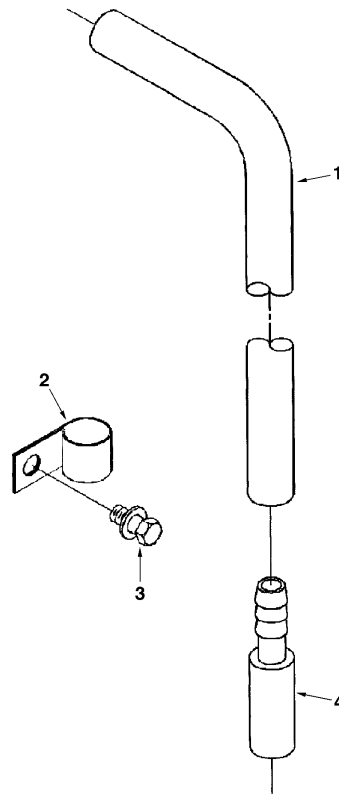
Section option	Kit	Option description
SADJ04B001		Air heater for engine
SADJ04B002		Without air pre-heater for engine

Q1-Q5	Option	Option description	
Q1 DJ04B001	SADJ04B001	Air heater for engine	
Q2 DJ04B002	SADJ04B002	Without air pre-heater for engine	

Pos	Part	Q1	Q2	Q3	Q4	Q5	PS	Kit	Description	Option(s)	Remark
1	SA3803717	1							Cylinder Block		
	SA3803324		1				NS		Cylinder Block		
2	SA148555	2	2						•Locating pin		NO.4 ONLY
3	SA179063	1	1						•Plug		
4	SA3014754	1	1						•Washer		
5	SA3014755	1	1						•Card		
6	SA3014756	1	1						•Spring		

7	SA3820566	7	7						•Bushing		
8	SA3008466	2	2						•Plug		1/4 NPT
9	SA3026758	1	1						•Seat		
10	SA3328742	14	14						•Screw		
11	SA3046202	1	1						•Plug		
12	SA3046201	1	1						••O-ring		
13	SA3895832	7							•Stud		M10 x 1.5
	SA3031921		7						•Stud		
14	SA70550	1	1						•Locating pin		5/16 x 1/2 IN
15	SA142207	2	2						•Locating pin		7/16 x 1 IN
16	SA3007635	4	4						•Plug		1.00 IN
17	SA3007632	9	8						•Plug		0.38 MM ID
18	SA3008446	3	3						•Locating pin		6.0 x 12 MM
19	SA3008468	1	1						•Tube plug		1/2 NPT
20	SA3026231	3	3						•Ring		19.23 MM
21	SA3037536	4	4						•Plug		9/16 - 18 IN
22	SA3037537	1	1						•O-ring		
23	SA3026961	6	6						•Cap		NO 1,2,3,5,6,7
	SA3801279	1	1				SS		•Cap		NO.4 ONLY
	SA3027490	1	1				SS		••Cap		NO.4 ONLY
24	SA3028252	2	2						••Pin		
25	SA3069728	1	1						•Sensor		
26	SA3019631	14	14						•Washer		
27	SA3068979	1	1						•Plunger		
28	SA3010146	1	1						•Spring		
29	SA3821725	1	1						•Plug		
30	SA3042619	1	1						Nipple		
31	SA3007635	4	4						Plug		1.00 IN
32	SA3007632	9	9						Plug		0.387 MM ID
33	SA3008468	1	1						Tube plug		1/2 NPT
34	SA3803703	6	6						Cylinder liner kit		
35	SA3047188	1	1						•Seal		

Date: 2014/1/20	Image id: SF105	Catalogue: 56123	Model: EC460
Brand: Volvo	Serial: 3001-9999	Group/Section: 212/200	Title: Crankcase ventilation



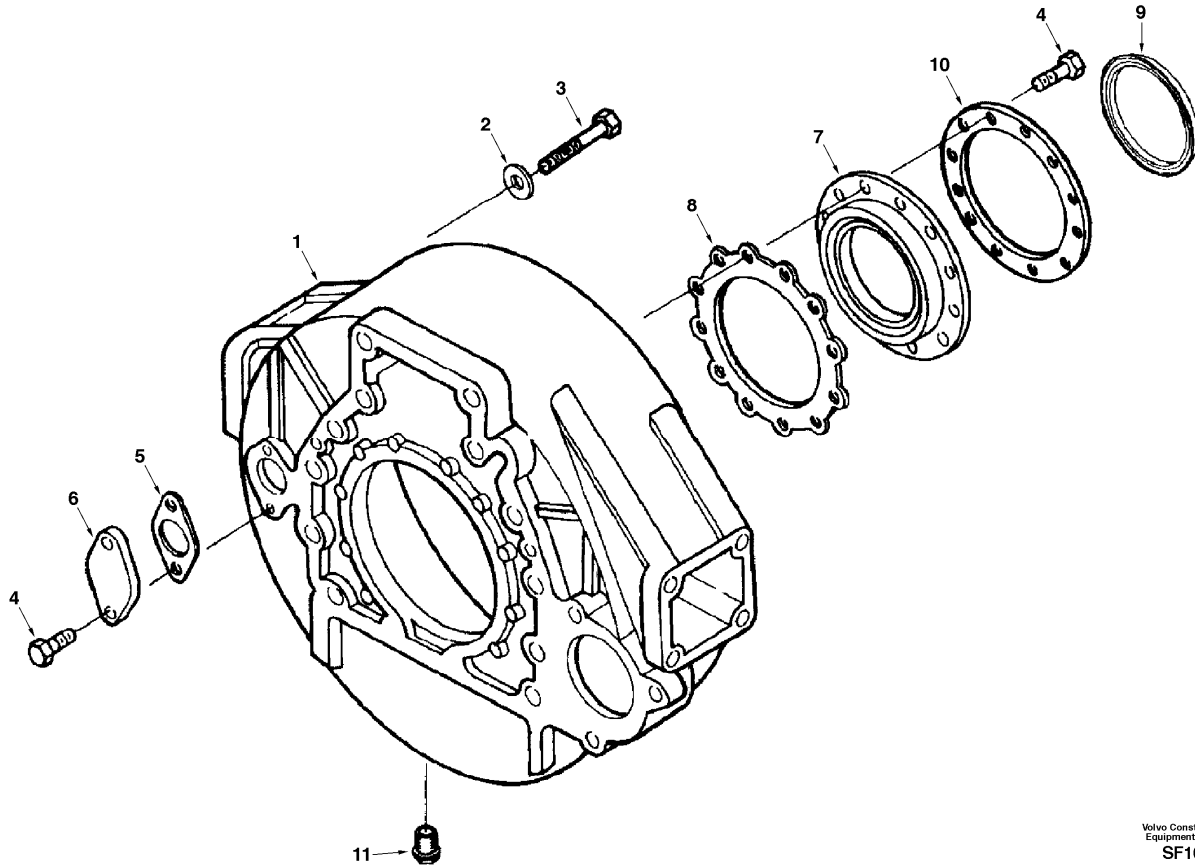
Volvo Construction
Equipment Group
SF105

Section option	Kit	Option description
SADJ04B001		Air heater for engine
SADJ04B002		Without air pre-heater for engine

Q1-Q5	Option	Option description	
Q1 DJ04B001	SADJ04B001	Air heater for engine	
Q2 DJ04B002	SADJ04B002	Without air pre-heater for engine	

Pos	Part	Q1	Q2	Q3	Q4	Q5	PS	Kit	Description	Option(s)	Remark
1	SA3255124	1	1						Hose		
2	SA107460	1	1						Clip		
3	SA3818060	1	1						Screw		
4	SA3819475	1							Pipe		

Date: 2014/1/20	Image id: SF106	Catalogue: 56123	Model: EC460
Brand: Volvo	Serial: 3001-9999	Group/Section: 212/300	Title: Flywheel housing



Volvo Construction
Equipment Group
SF106

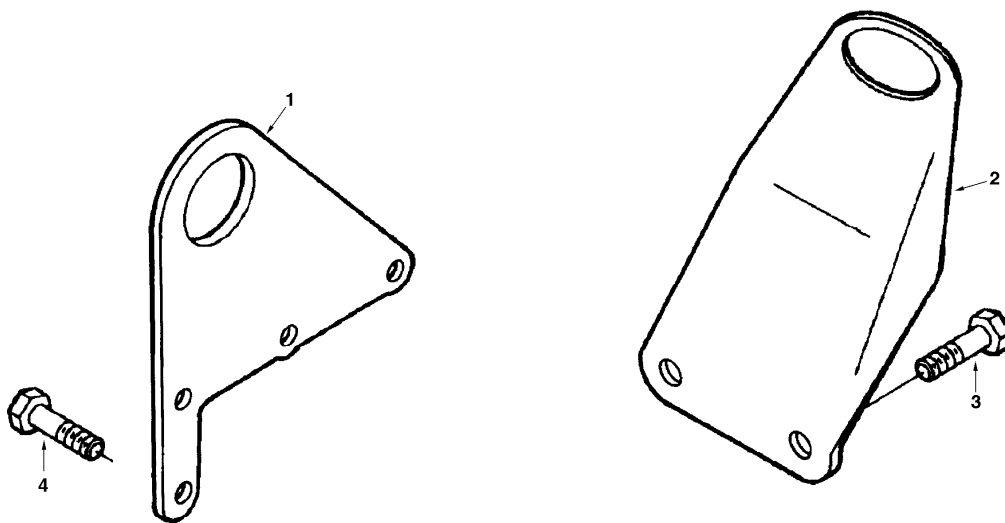
Section option	Kit	Option description
SADJ04B001		Air heater for engine
SADJ04B002		Without air pre-heater for engine

Q1-Q5	Option	Option description	
Q1 DJ04B001	SADJ04B001	Air heater for engine	
Q2 DJ04B002	SADJ04B002	Without air pre-heater for engine	

Pos	Part	Q1	Q2	Q3	Q4	Q5	PS	Kit	Description	Option(s)	Remark
1	SA3036238	1	1						Housing		
2	SA127316	12	12						Washer		
3	SA3022148	2	2						Bolt		
4	SA3025802	12	12						Bolt		
5	SA3026134	1	1						Gasket		
6	SA3026135	1	1						Cover		
7	VOE11370542	1	1					SS	Sealing kit		(SA3803727)

8	SA3883659	1	1						•Gasket		
9	SA3161025	1	1						•Seal		
10	SA3883622	1	1				OP		Ring		
11	SA3042004	2	2						Plug		

Date: 2014/1/20	Image id: SF107	Catalogue: 56123	Model: EC460
Brand: Volvo	Serial: 3001-9999	Group/Section: 212/500	Title: Lifting eye

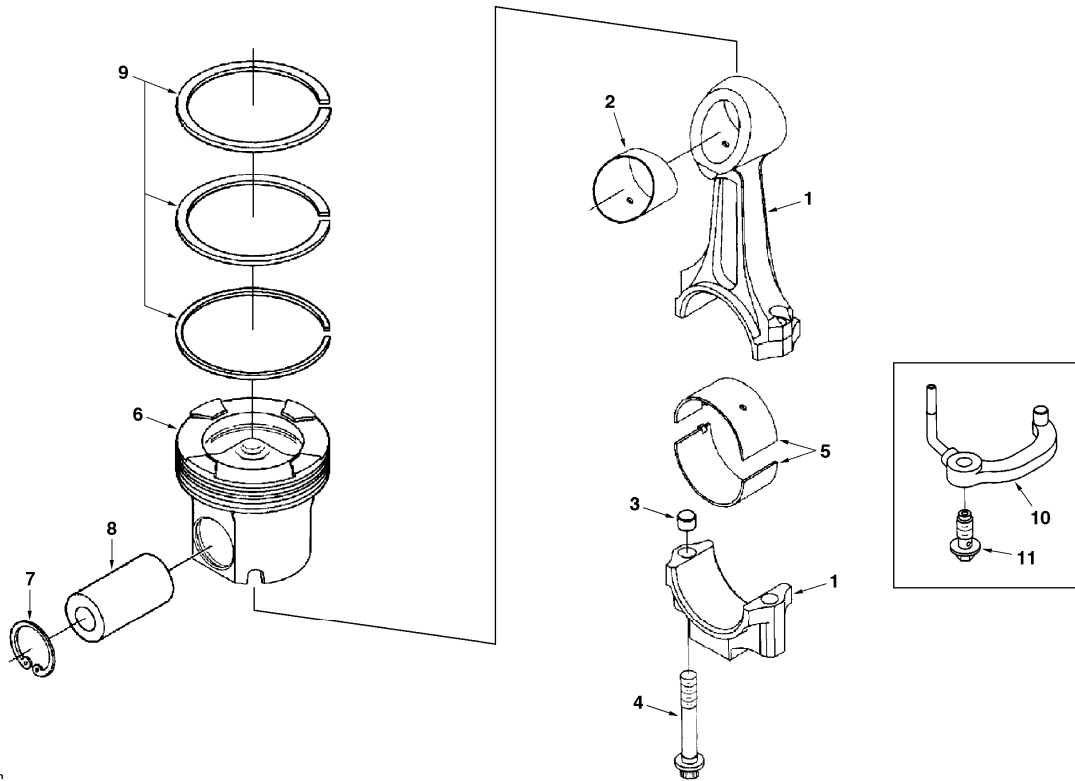


Volvo Construction
Equipment Group
SF107

Q1-Q5	Option	Option description	
Q1 DJ04B001	SADJ04B001	Air heater for engine	
Q2 DJ04B002	SADJ04B002	Without air pre-heater for engine	

Pos	Part	Q1	Q2	Q3	Q4	Q5	PS	Kit	Description	Option(s)	Remark
1	SA3883586	1	1						Bracket		
2	SA3896347	1	1						Bracket		
3	SA3893834	2	2						Bolt		
4	SA3335044	4	4						Bolt		

Date: 2014/1/20	Image id: SF108A	Catalogue: 56123	Model: EC460
Brand: Volvo	Serial: 3001-9999	Group/Section: 213/100	Title: Connecting rod and piston



Volvo Construction
Equipment Group
SF108A

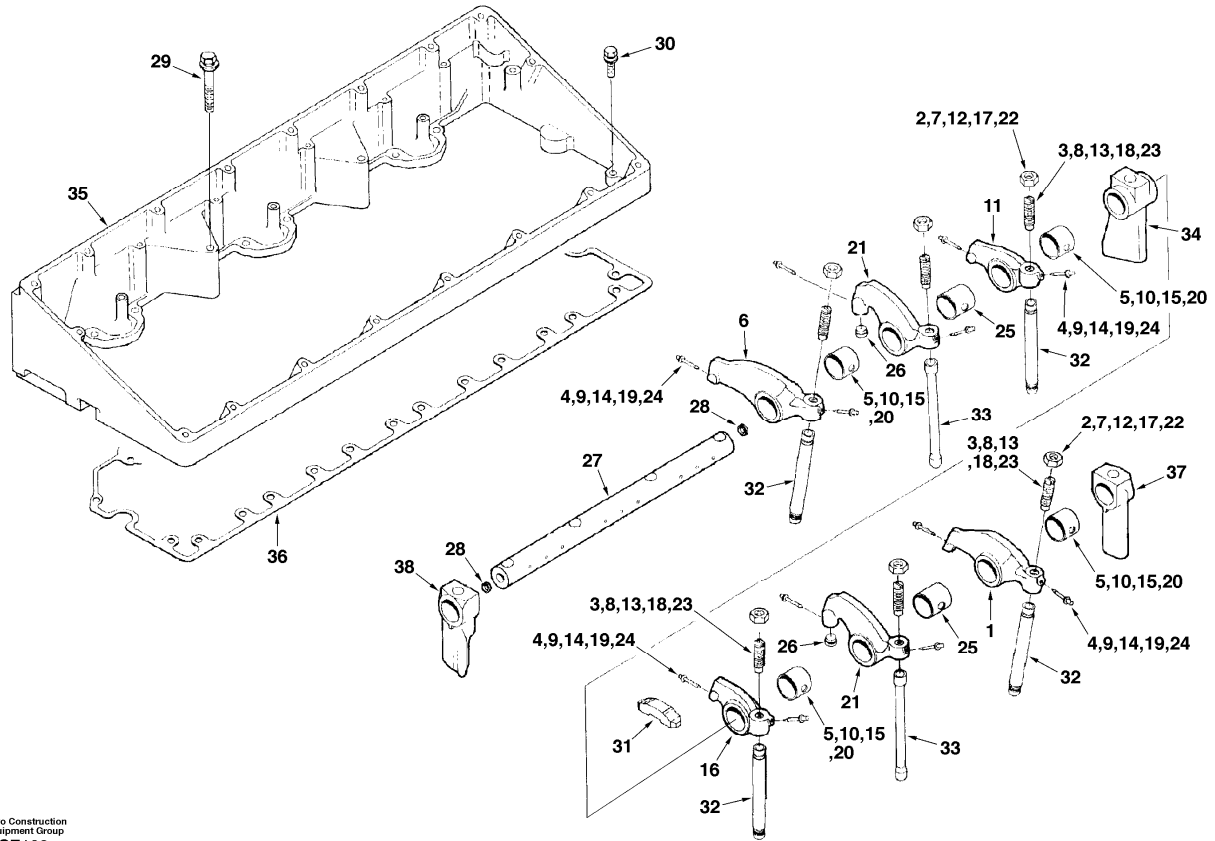
Section option	Kit	Option description
SADJ04B001		Air heater for engine
SADJ04B002		Without air pre-heater for engine

Q1-Q5	Option	Option description	
Q1 DJ04B001	SADJ04B001	Air heater for engine	
Q2 DJ04B002	SADJ04B002	Without air pre-heater for engine	

Pos	Part	Q1	Q2	Q3	Q4	Q5	PS	Kit	Description	Option(s)	Remark
1	SA3899450	1	1						Connecting rod		
2	SA3896894	1	1						•Bushing		
3	SA3027106	2	2						•Ring		
4	SA3027108	2	2						•Bolt		
5	SA3016760	12	12						Bearing		STANDARD
	SA3016761	12	12						Bearing		0.25MM O SZ
	SA3016762	12	12						Bearing		0.50MM O SZ

	SA3016763	12	12				OP		Bearing		0.75MM O SZ
	SA3016764	12	12						Bearing		1.00MM O SZ
6	SA3803976	6							Piston		
	SA3803624		6				SS		Piston		
7	SA3016652	2	2						•Ring		SNAP
8	SA3063843	1					SS		•Pin		
	SA3016650		1						•Pin		
9	SA3803977	1							•Ring		SET
	SA3803555		1				SS		•Ring		
10	SA3080708	6	6						Nozzle		
11	SA3070393	6	6						Screw		

Date: 2014/1/20	Image id: SF109	Catalogue: 56123	Model: EC460
Brand: Volvo	Serial: 3001-9999	Group/Section: 214/200	Title: Rocker arm



Volvo Construction
Equipment Group
SF109

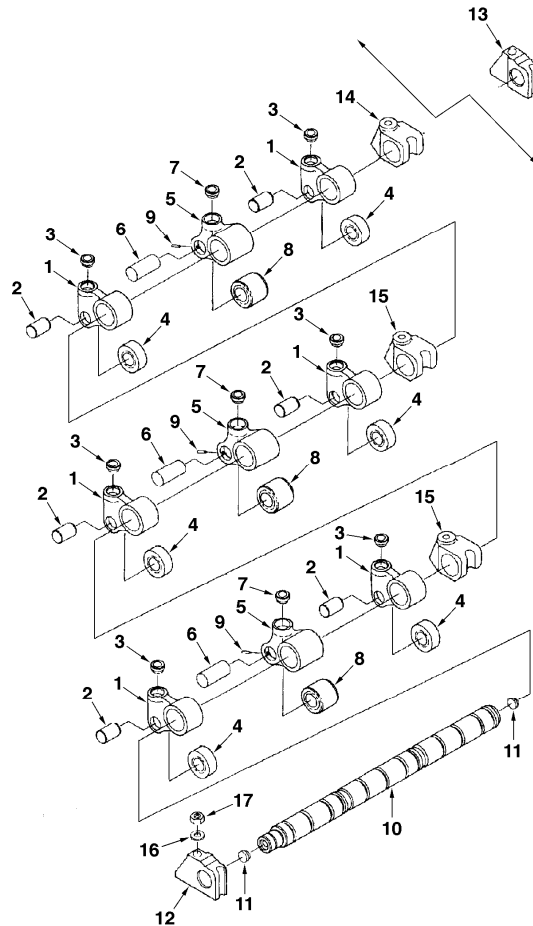
Section option	Kit	Option description
SADJ04B001		Air heater for engine
SADJ04B002		Without air pre-heater for engine

Q1-Q5	Option	Option description	
Q1 DJ04B001	SADJ04B001	Air heater for engine	
Q2 DJ04B002	SADJ04B002	Without air pre-heater for engine	

Pos	Part	Q1	Q2	Q3	Q4	Q5	PS	Kit	Description	Option(s)	Remark
1	SA3064600	3	3				SS		Rocker Arm		EXH CYL 2,4,6
2	SA3066257	1	1						•Nut		
3	SA3066644	1	1						•Bolt		
4	SA3067941	2	2						•Plug		
5	SA3019733	1	1						•Bushing		
6	SA3064597	3	3				SS		Rocker Arm		EXH CYL 1,3,5
7	SA3066257	1	1						•Nut		

8	SA3066644	1	1						•Bolt		
9	SA3067941	2	2						•Plug		
10	SA3019733	1	1						•Bushing		
11	SA3068350	3	3				SS		Rocker Arm		INTAKE CYL 1,3,5
12	SA3066257	1	1						•Nut		
13	SA3066644	1	1						•Bolt		
14	SA3067941	2	2						•Plug		
15	SA3019733	1	1						•Bushing		
16	SA3068351	3	3						Rocker Arm		INTAKE CYL 2,4,6
17	SA3066257	1	1						•Nut		
18	SA3066644	1	1						•Bolt		
19	SA3067941	2	2						•Plug		
20	SA3019733	1	1						•Bushing		
21	SA3069020	6	6						Rocker Arm		INJECTOR,CYL 1~6
22	SA3066257	1	1						•Nut		
23	SA3066644	1	1						•Bolt		
24	SA3067941	2	2						•Plug		
25	SA3067871	1	1						•Bushing		
26	SA3066643	1	1						•Socket		
27	SA3803166	2	2				SS		Shaft		
	SA3820750	1	1				SS		•Shaft		
28	SA3019630	2	2						•Plug		
29	SA3892105	4	4						Bolt		
30	SA3161093	20	20						Bolt		
31	SA3070175	6	6				NS		Head		
32	SA3068390	12	12						Bar		
33	SA3067830	6	6						Bar		
34	SA3892654	4	4						Support		
35	SA3098720	1	1						Housing		
36	SA3896697	1	1				SS		Gasket		
37	SA3892652	2	2						Support		
38	SA3892653	2	2						Support		

Date: 2014/1/20	Image id: SF110	Catalogue: 56123	Model: EC460
Brand: Volvo	Serial: 3001-9999	Group/Section: 214/300	Title: Valve tappet



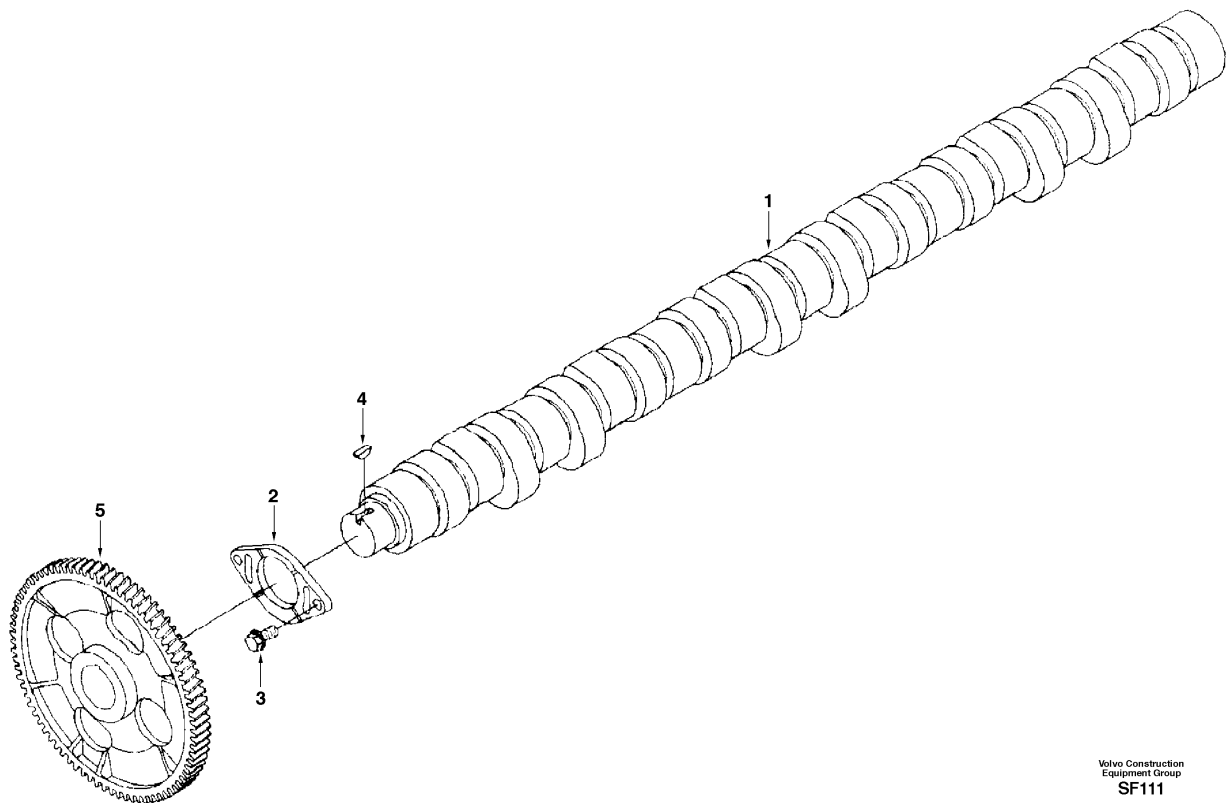
Volvo Construction
Equipment Group
SF110

Section option	Kit	Option description
SADJ04B001		Air heater for engine
SADJ04B002		Without air pre-heater for engine

Q1-Q5	Option	Option description	
Q1 DJ04B001	SADJ04B001	Air heater for engine	
Q2 DJ04B002	SADJ04B002	Without air pre-heater for engine	

Pos	Part	Q1	Q2	Q3	Q4	Q5	PS	Kit	Description	Option(s)	Remark
1	SA3161475	12	12						Lever		VALVE
2	SA3335342	1	1						•Pin		
3	SA3064621	1	1						•Pin		
4	SA3895488	1	1						•Roller		
5	SA3417645	6							Lever		INJECTOR
	SA3161474		6						Lever		
6	SA3335343	1							•Pin		

Date: 2014/1/20	Image id: SF111	Catalogue: 56123	Model: EC460
Brand: Volvo	Serial: 3001-9999	Group/Section: 215/100	Title: Camshaft

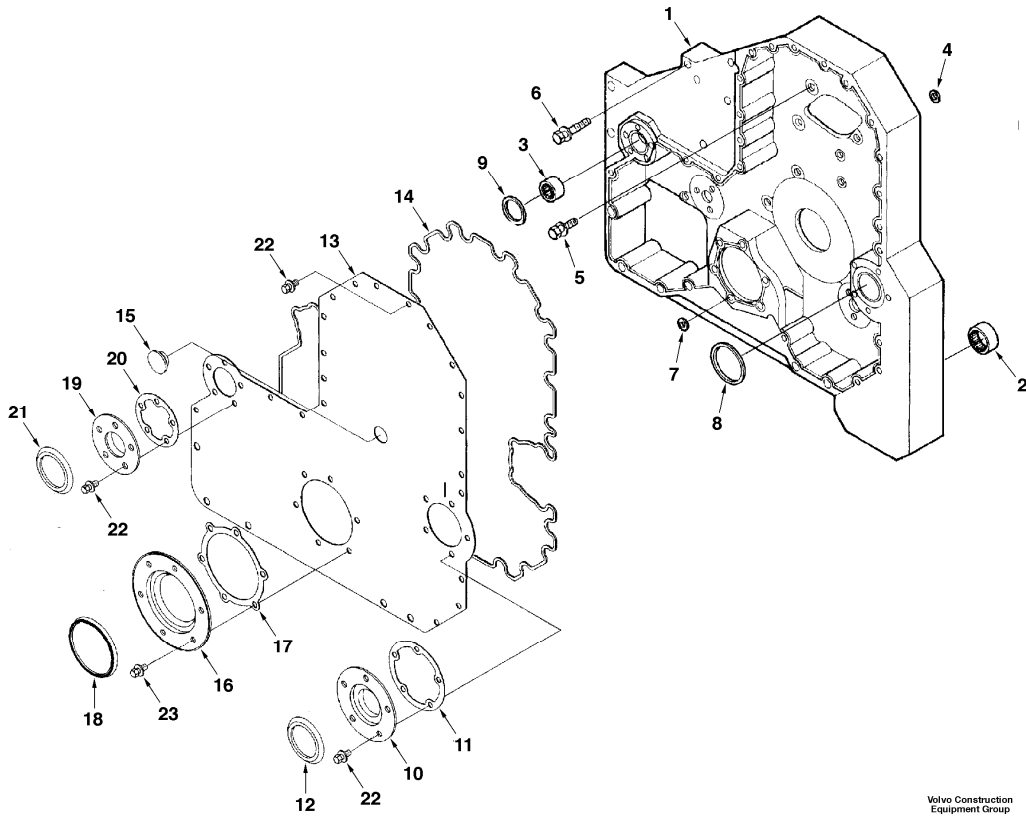


Section option	Kit	Option description
SADJ04B001		Air heater for engine
SADJ04B002		Without air pre-heater for engine

Q1-Q5	Option	Option description	
Q1 DJ04B001	SADJ04B001	Air heater for engine	
Q2 DJ04B002	SADJ04B002	Without air pre-heater for engine	

Pos	Part	Q1	Q2	Q3	Q4	Q5	PS	Kit	Description	Option(s)	Remark
1	SA3087856	1							Camshaft		
	SA3895805		1						Camshaft		
2	SA3896335	1	1						Support		
3	SA3822067	2	2						Screw		
4	SA3009949	1							Woodruff Key		
	SA3009948		1						Woodruff Key		
5	SA3038989	1	1						Gear		

Date: 2014/1/20	Image id: SF112	Catalogue: 56123	Model: EC460
Brand: Volvo	Serial: 3001-9999	Group/Section: 215/150	Title: Timing gear casing



Volvo Construction
Equipment Group
SF112

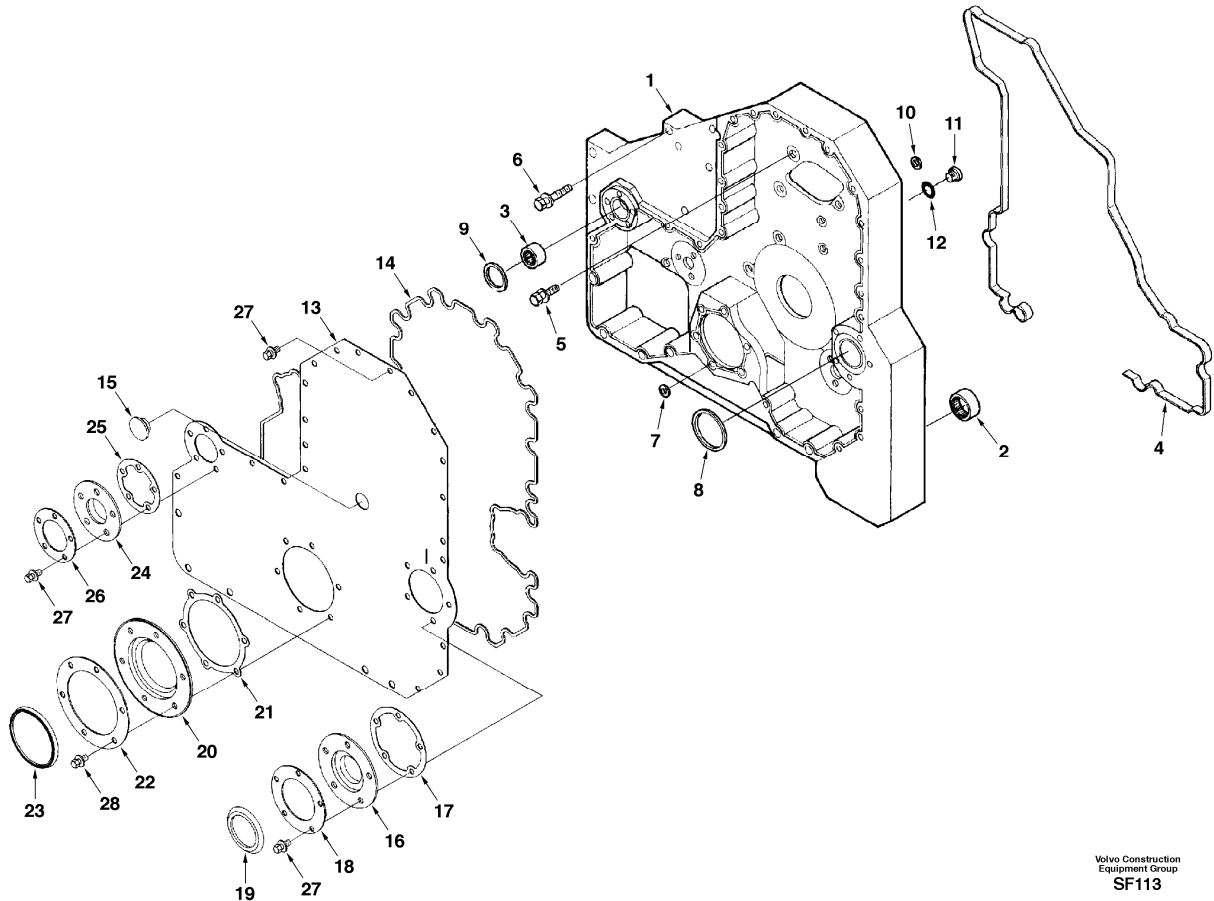
Section option	Kit	Option description
SADJ04B001		Air heater for engine

Q1-Q5	Option	Option description	
Q1 DJ04B001	SADJ04B001	Air heater for engine	

Pos	Part	Q1	Q2	Q3	Q4	Q5	PS	Kit	Description	Option(s)	Remark
1	SA3417628	1							Housing		(SA3895536)
2	SA3025354	1							•Needle Bearing		
3	SA3893913	1							•Needle Bearing		
4	SA3883150	1							Seal		
5	SA3818060	12							Screw		
6	SA3820186	5							Screw		
7	SA3201659	6							Seal		
8	SA3820945	1							Seal		
9	SA3820946	1							Seal		

10	SA3804304	1							Seal		
11	SA3328760	1							•Gasket		
12	SA3896837	1							•Seal		
13	SA3803571	1							Cover		
14	SA3893964	1							•Seal		
15	SA3892666	1							•Plug		
16	SA3804744	1							Seal		
17	SA3328761	1					NS		•Gasket		
18	SA3895023	1							•Seal		
19	SA3803894	1							Gasket		
20	SA3328759	1							•Gasket		
21	SA3895020	1					NS		•Seal		
22	SA3900629	32							Screw		
23	SA3161006	6							Screw		

Date: 2014/1/20	Image id: SF113	Catalogue: 56123	Model: EC460
Brand: Volvo	Serial: 3001-9999	Group/Section: 215/200	Title: Timing gear casing



Volvo Construction
Equipment Group
SF113

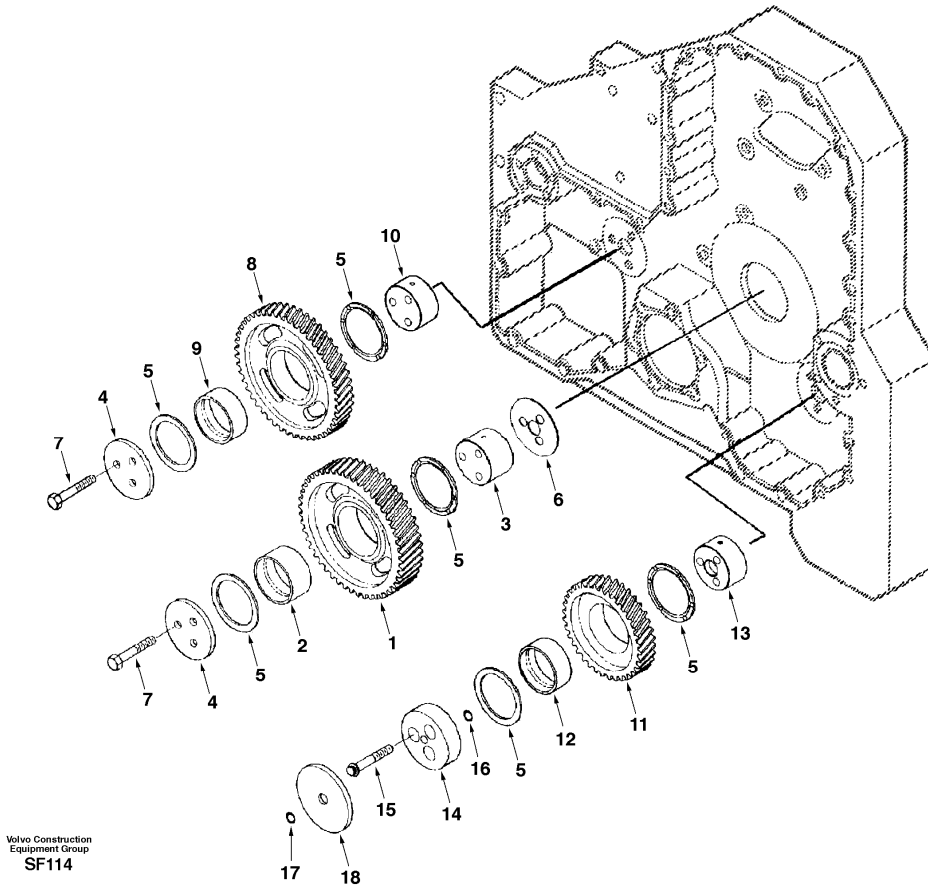
Section option	Kit	Option description
SADJ04B002		Without air pre-heater for engine

Q1-Q5	Option	Option description	
Q1 DJ04B002	SADJ04B002	Without air pre-heater for engine	

Pos	Part	Q1	Q2	Q3	Q4	Q5	PS	Kit	Description	Option(s)	Remark
1	SA3417628	1							Housing		
2	SA3025354	1							•Needle Bearing		
3	SA3893913	1							•Needle bearing		
4	SA3893964	1							Seal		
5	SA3818060	12							Screw		
6	SA3820186	5							Screw		
7	SA3201659	6							Sealing		
8	SA3820945	1							Sealing		
9	SA3820946	1							Sealing		

10	SA3883150	1							Sealing		
11	SA3046202	1							Plug		
12	SA3046201	1							•O-ring		
13	SA3803571	1							Cover		
14	SA3893964	1							•Seal		
15	SA3892666	1							•Plug		
16	SA3803728	1					SS		Sealing Kit		
17	SA3892083	1					SS		•Gasket		
18	SA3328760	1							•Gasket		(SA3896835)
19	SA3896837	1							•Sealing		
20	SA3804744	1							Seal		(SA3803729)KIT
	SA3892795	1					SS		•Seal		
21	SA3328761	1					NS		•Gasket		
22	SA3892086	1					SS		•Ring		
23	SA3803487	1					SS		Sealing Kit		
24	SA3892796	1					SS		•Seal		
25	SA3892082	1					SS		•Gasket		
26	SA3892084	1					SS		•Ring		
27	SA3900629	32							Screw		
28	SA3161006	26							Screw		

Date: 2014/1/20	Image id: SF114	Catalogue: 56123	Model: EC460
Brand: Volvo	Serial: 3001-9999	Group/Section: 215/250	Title: Timing gear



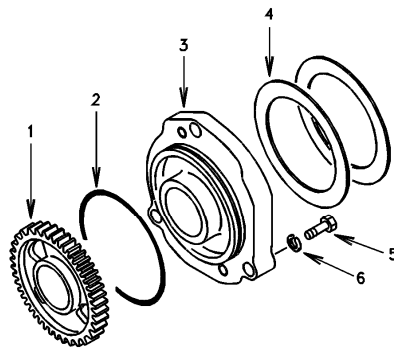
Section option	Kit	Option description
SADJ04B001		Air heater for engine
SADJ04B002		Without air pre-heater for engine

Q1-Q5	Option	Option description	
Q1 DJ04B001	SADJ04B001	Air heater for engine	
Q2 DJ04B002	SADJ04B002	Without air pre-heater for engine	

Pos	Part	Q1	Q2	Q3	Q4	Q5	PS	Kit	Description	Option(s)	Remark
1	SA3084532	1							Gear		
	SA3038986		1						Gear		
	SA3084447	1					SS		•Gear		
	SA3038985		1				NS		•Gear		
2	SA3026188	1	1						•Bushing		
3	SA3026166	1	1						Shaft		
4	SA3026233	2	2						Retainer		

5	SA3084899	6	6						Bearing		
6	SA3088161	1							Plate		
	SA3041038		1						Plate		
7	SA3088162	6							Screw		
	SA3039398		6						Screw		
8	SA3084533	1							Gear		
	SA3038988		1						Gear		
	SA3084448	1					SS		•Gear		
	SA3038987		1				NS		•Gear		
9	SA3026189	1	1						•Bushing		
10	SA3026167	1	1						Shaft		
11	SA3045873	1	1						Gear		
	SA3045855	1	1				NS		•Gear		
12	SA3026188	1	1						•Bushing		
13	SA3062904	1	1						Shaft		
14	SA3882511	1	1						Retainer		
15	SA3045853	3	3						Screw		
16	SA3820030	1	1						Seal		
17	SA3883510	1	1						Seal		
18	SA3882513	1	1						Spacer		

Date: 2014/1/20	Image id: SF115	Catalogue: 56123	Model: EC460
Brand: Volvo	Serial: 3001-9999	Group/Section: 215/300	Title: Pump drive power take-off

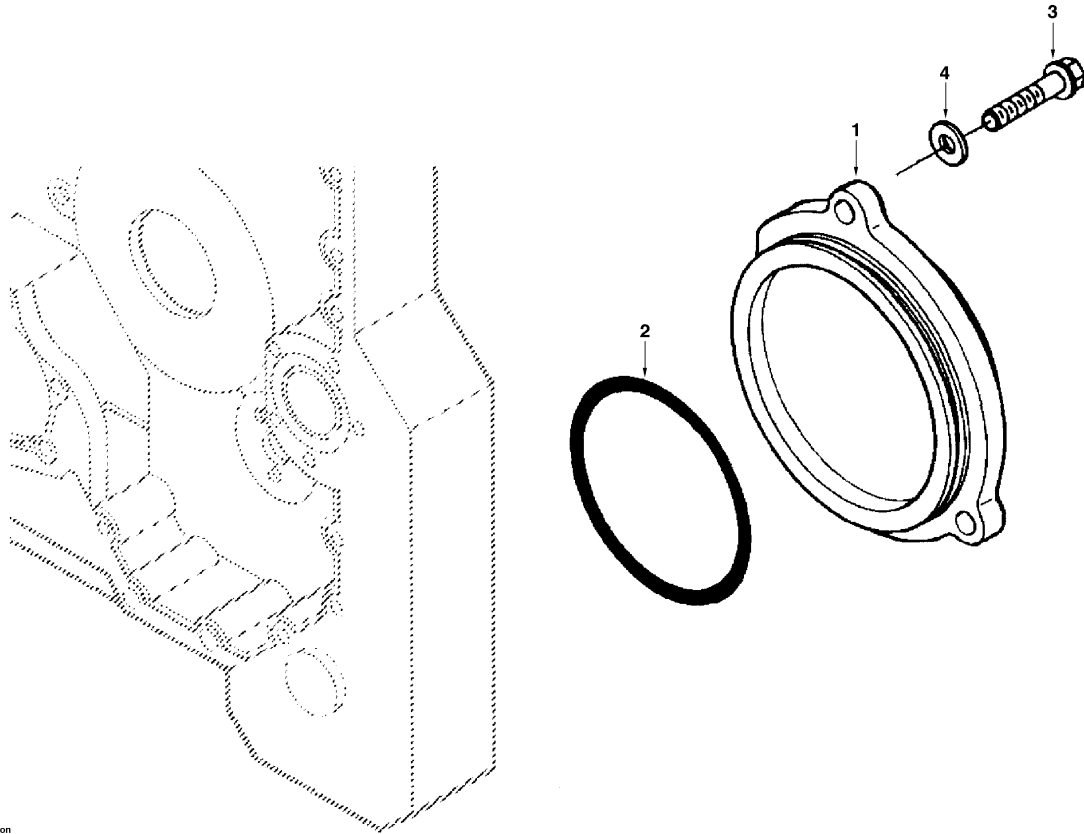


Volvo Construction
Equipment Group
SF115

Q1-Q5	Option	Option description	
Q1 DJ18B001	SADJ18B001	Leak-off line for slope-rotator on basic machine	

Pos	Part	Q1	Q2	Q3	Q4	Q5	PS	Kit	Description	Option(s)	Remark
1	SA3028420	1							Gear		
2	SA3883042	1							Seal		
3	SA3820755	1							Support		
4	SA3008400	2							Gasket		
5	SA9011-11007	3							Bolt		
6	SA9213-10000	3					SS		Spring Washer		

Date: 2014/1/20	Image id: SF116	Catalogue: 56123	Model: EC460
Brand: Volvo	Serial: 3001-9999	Group/Section: 215/400	Title: Power take-off cover

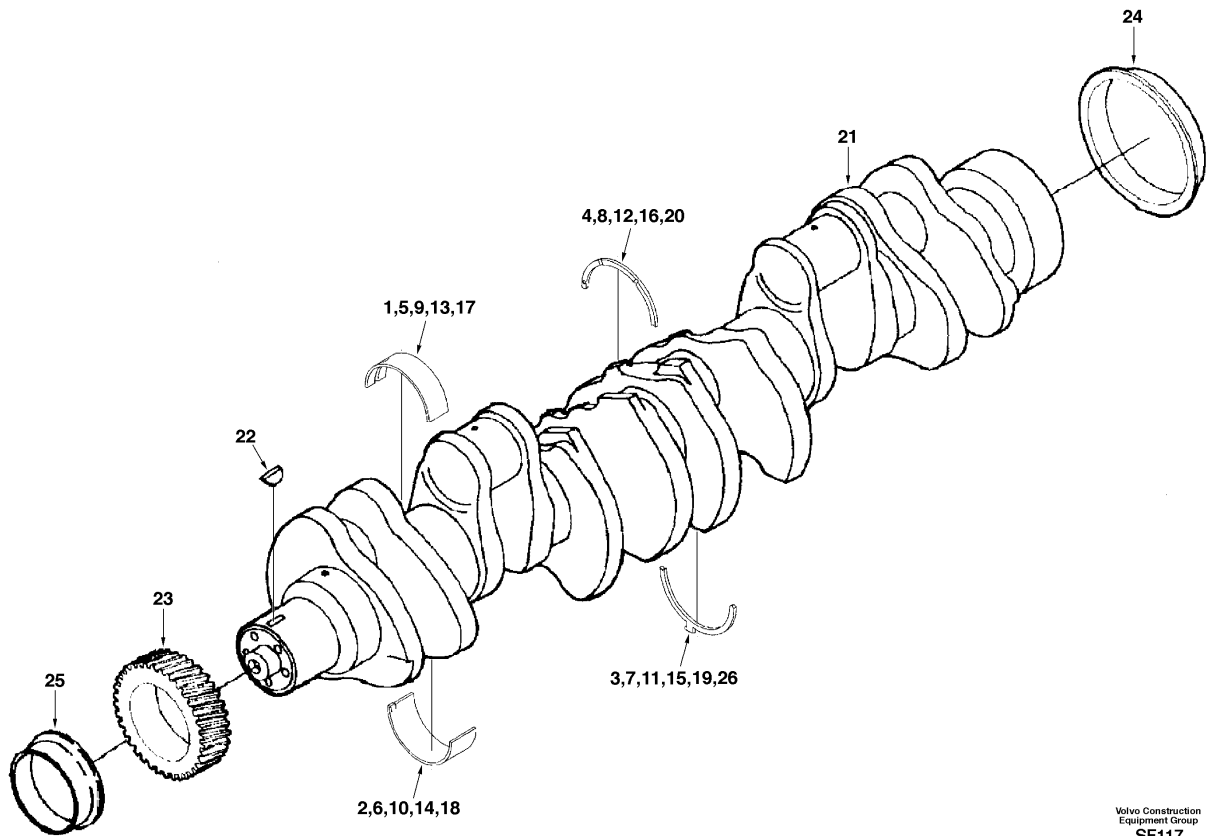


Volvo Construction
Equipment Group
SF116

Q1-Q5	Option	Option description	
Q1 DJ04B001	SADJ04B001	Air heater for engine	
Q2 DJ04B002	SADJ04B002	Without air pre-heater for engine	

Pos	Part	Q1	Q2	Q3	Q4	Q5	PS	Kit	Description	Option(s)	Remark
1	SA3882680	1	1						Plug		
2	SA3883042	1	1						Seal		
3	SA3819521	3	3						Screw		
4	SA108330	3	3						Washer		

Date: 2014/1/20	Image id: SF117	Catalogue: 56123	Model: EC460
Brand: Volvo	Serial: 3001-9999	Group/Section: 216/100	Title: Crankshaft



Volvo Construction
Equipment Group
SF117

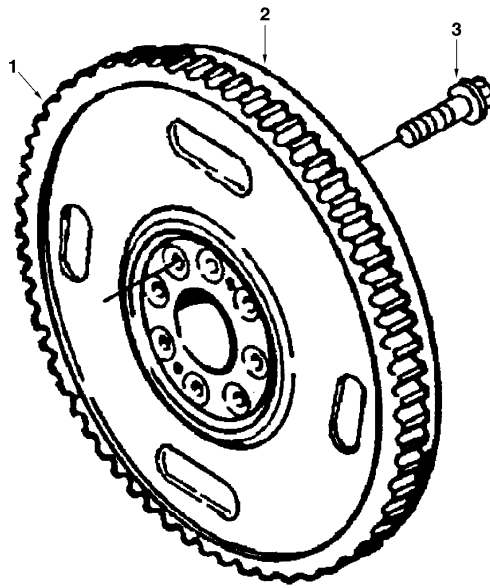
Section option	Kit	Option description
SADJ04B001		Air heater for engine
SADJ04B002		Without air pre-heater for engine

Q1-Q5	Option	Option description	
Q1 DJ04B001	SADJ04B001	Air heater for engine	
Q2 DJ04B002	SADJ04B002	Without air pre-heater for engine	

Pos	Part	Q1	Q2	Q3	Q4	Q5	PS	Kit	Description	Option(s)	Remark
1	SA3400710	1							Bearing		SET,STANDARD
	SA3801150		1						Bearing		SET,STANDARD
	SA3016770	7	7				SS		•Bearing		MAIN
2	SA3016780	7	7				SS		•Bearing		MAIN
3	SA3161520	2							•Bearing		LOWER
	SA3822062		4				SS		•Bearing		LOWER
4	SA3161653	2							•Bearing		UPPER

5	SA3400711	1						Bearing		SET,0.010IN O SZ
	SA3801151		1					Bearing		SET,0.010IN O SZ
	SA3016771	7	7				NS	•Bearing		
6	SA3016781	7	7				NS	•Bearing		
7	SA3161520	2						•Bearing		LOWER
	SA3822062		4				SS	•Bearing		LOWER
8	SA3161653	2						•Bearing		UPPER
9	SA3400712	1						Bearing		SET,0.020IN O SZ
	SA3801152		1					Bearing		SET,0.020IN O SZ
	SA3016772	7	7					•Bearing		
10	SA3016782	7	7					•Bearing		
11	SA3161520	2						•Bearing		LOWER
	SA3822062		4				SS	•Bearing		LOWER
12	SA3161653	2						•Bearing		UPPER
13	SA3400713	1						Bearing		SET,0.030IN O SZ
	SA3801153		1					Bearing		SET,0.030IN O SZ
	SA3016773	7	7				NS	•Bearing		
14	SA3016783	7	7				NS	•Bearing		
15	SA3161520	2						•Bearing		LOWER
	SA3822062		4				SS	•Bearing		LOWER
16	SA3161653	2						•Bearing		UPPER
17	SA3400714	1						Bearing		SET,0.040IN O SZ
	SA3801154		1					Bearing		SET,0.040IN O SZ
	SA3016774	7	7					•Bearing		
18	SA3016784	7	7					•Bearing		
19	SA3161520	2						•Bearing		LOWER
	SA3822062		4				SS	•Bearing		LOWER
20	SA3161653	2						•Bearing		UPPER
21	SA3073707	1						Crankshaft		
	SA3819624		1					Crankshaft		
22	SAS-300	1	1				NS	Key		
23	SA3084445	1						Gear		
	SA3038984		1					Gear		
24	SA3819774	1	1				SS	Sleeve		REAR
25	SA3820918	1	1					Sleeve		FRONT
26	SA3050589		4					Bearing		0.010 IN O SZ

Date: 2014/1/20	Image id: SF118	Catalogue: 56123	Model: EC460
Brand: Volvo	Serial: 3001-9999	Group/Section: 216/200	Title: Flywheel



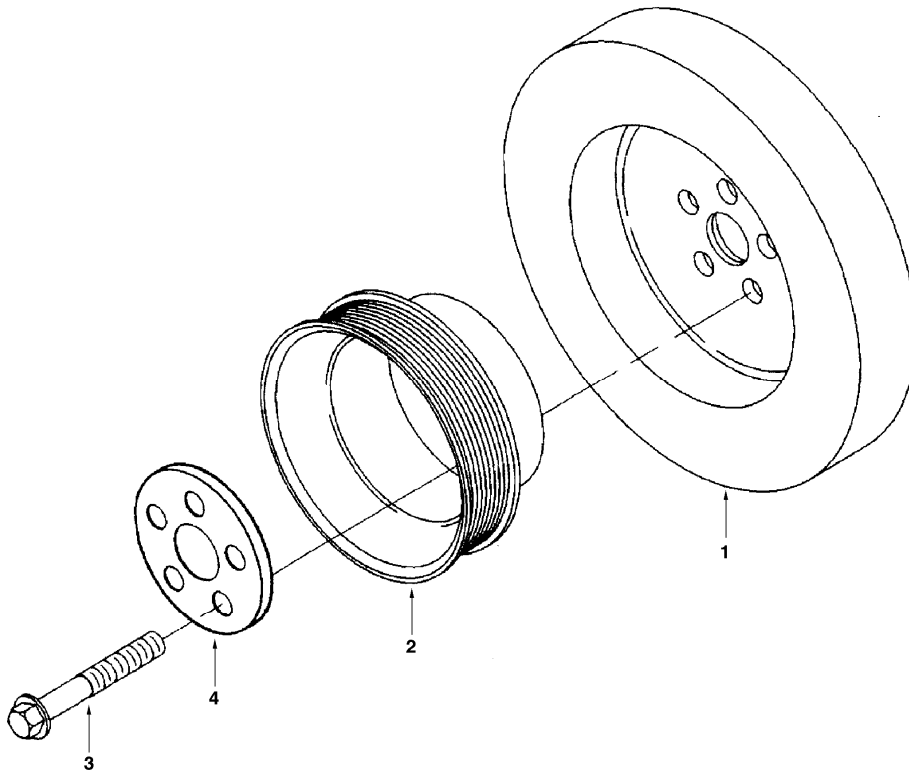
Volvo Construction
Equipment Group
SF118

Section option	Kit	Option description
SADJ04B001		Air heater for engine
SADJ04B002		Without air pre-heater for engine

Q1-Q5	Option	Option description	
Q1 DJ04B001	SADJ04B001	Air heater for engine	
Q2 DJ04B002	SADJ04B002	Without air pre-heater for engine	

Pos	Part	Q1	Q2	Q3	Q4	Q5	PS	Kit	Description	Option(s)	Remark
1	SA3254856	1	1						Flywheel		
	SA3254855	1	1				NS		•Flywheel		
2	SA3065151	1	1						•Gear		
3	SA4071043	8	8						•Bolt		(SA3821676)

Date: 2014/1/20	Image id: SF119	Catalogue: 56123	Model: EC460
Brand: Volvo	Serial: 3001-9999	Group/Section: 216/300	Title: Vibration damper



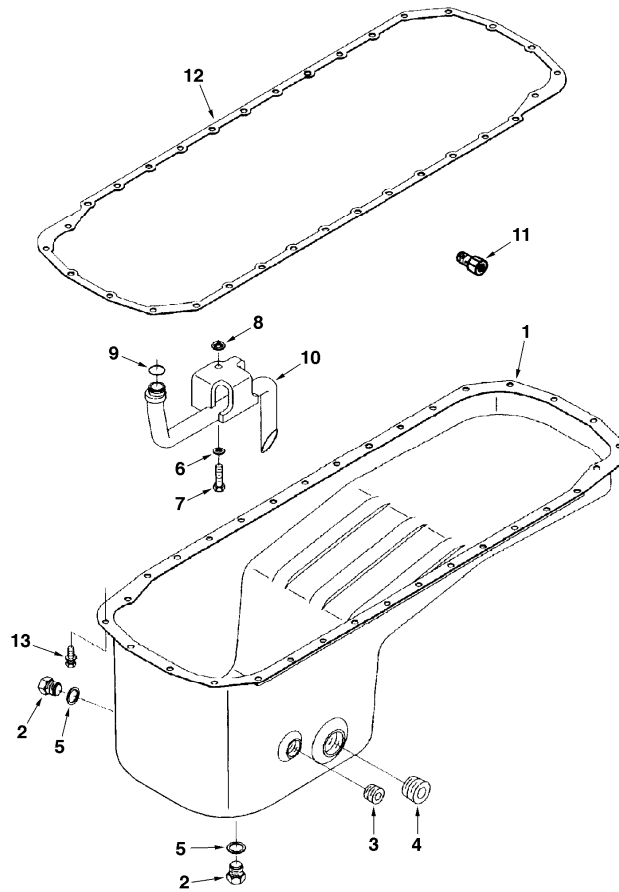
Volvo Construction
Equipment Group
SF119

Section option	Kit	Option description
SADJ04B001		Air heater for engine
SADJ04B002		Without air pre-heater for engine

Q1-Q5	Option	Option description	
Q1 DJ04B001	SADJ04B001	Air heater for engine	
Q2 DJ04B002	SADJ04B002	Without air pre-heater for engine	

Pos	Part	Q1	Q2	Q3	Q4	Q5	PS	Kit	Description	Option(s)	Remark
1	SA3073587	1	1						Vib Damper		
2	SA3819407	1					SS		Pulley		
	SA3073676		1						Pulley		FOR TROPICAL
3	SA3896790	5	5						Bolt		
4	SA3896043	1	1						Plate		

Date: 2014/1/20	Image id: SF120	Catalogue: 56123	Model: EC460
Brand: Volvo	Serial: 3001-9999	Group/Section: 217/100	Title: Oil sump



Volvo Construction
Equipment Group
SF120

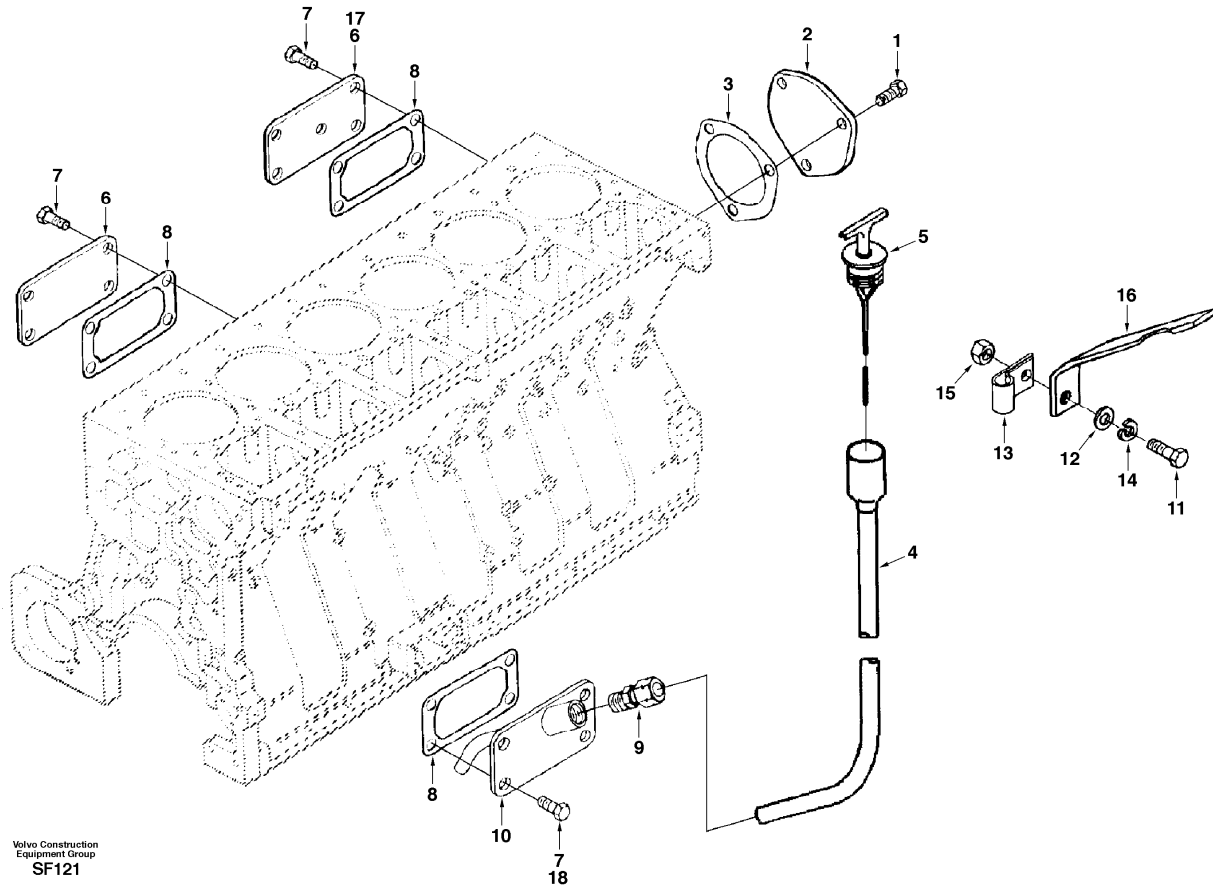
Section option	Kit	Option description
SADJ04B001		Air heater for engine
SADJ04B002		Without air pre-heater for engine

Q1-Q5	Option	Option description	
Q1 DJ04B001	SADJ04B001	Air heater for engine	
Q2 DJ04B002	SADJ04B002	Without air pre-heater for engine	

Pos	Part	Q1	Q2	Q3	Q4	Q5	PS	Kit	Description	Option(s)	Remark
1	SA3803687	1	1				SS		Oil Pan		
2	SA3055069	1	1						•Plug		
3	SA3008468	1	1						•Plug		
4	SA3008470	1	1						•Plug		
5	SA67946	1	1						•Washer		
6	SA3009330	1	1						•Washer		
7	SA3254405	1	1						•Bolt		

8	SA3896022	1	1						•Retainer		
9	SA3032787	1	1						•Seal		
10	SA3328583	1	1						•Pipe		
11	SA3895718	1	1						•Plug		
12	SA3882733	1	1						Gasket		
13	SA3896723	32	32						Screw		

Date: 2014/1/20	Image id: SF121	Catalogue: 56123	Model: EC460
Brand: Volvo	Serial: 3001-9999	Group/Section: 217/200	Title: Oil dipstick



Q1-Q5	Option	Option description	
Q1 DJ04B001	SADJ04B001	Air heater for engine	
Q2 DJ04B002	SADJ04B002	Without air pre-heater for engine	

Pos	Part	Q1	Q2	Q3	Q4	Q5	PS	Kit	Description	Option(s)	Remark
1	SA3009887	3	3						Screw		
2	SA3025295	1	1				NS		Cover		
3	SA3025296	1	1						Gasket		
4	SA3251882	1	1						Pipe		
5	SA216484	1	1						Dipstick		(SA3254785)
6	SA3028684	2	2						Cover		
7	SA3036230	8	8						Screw		
8	SA3883472	3	3						Gasket		
9	SA163759	1	1						Connector		
10	SA3253970	1	1						Cover		
11	SAS-109	1	1						Bolt		

Thank you so much for reading.
Please click the “Buy Now!”
button below to download the
complete manual.



After you pay.

You can download the most
perfect and complete manual in
the world immediately.

Our support email:

ebooklibonline@outlook.com