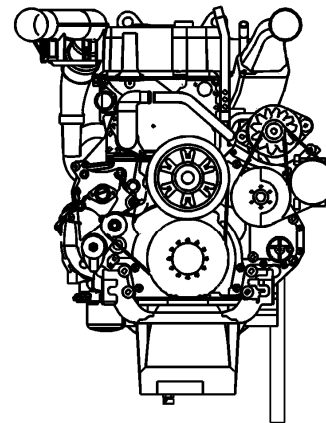
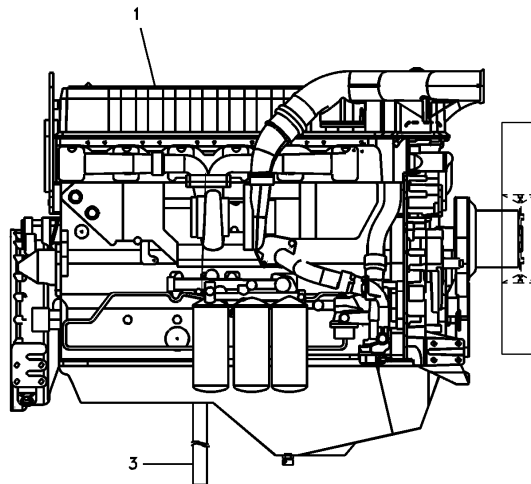
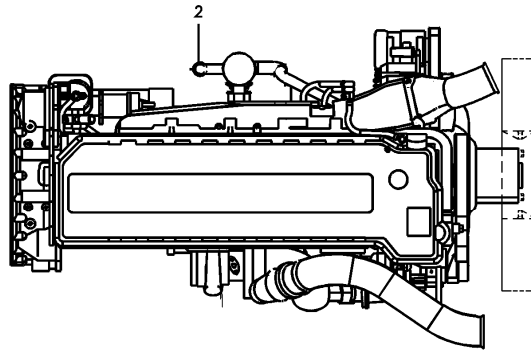


Date: 2014/1/21	Image id: SV101	Catalogue: 56136	Model: EC460B LC
Brand: Volvo	Serial: 10001-11514	Group/Section: 210/100	Title: Engine



Volvo Construction
Equipment
SV101

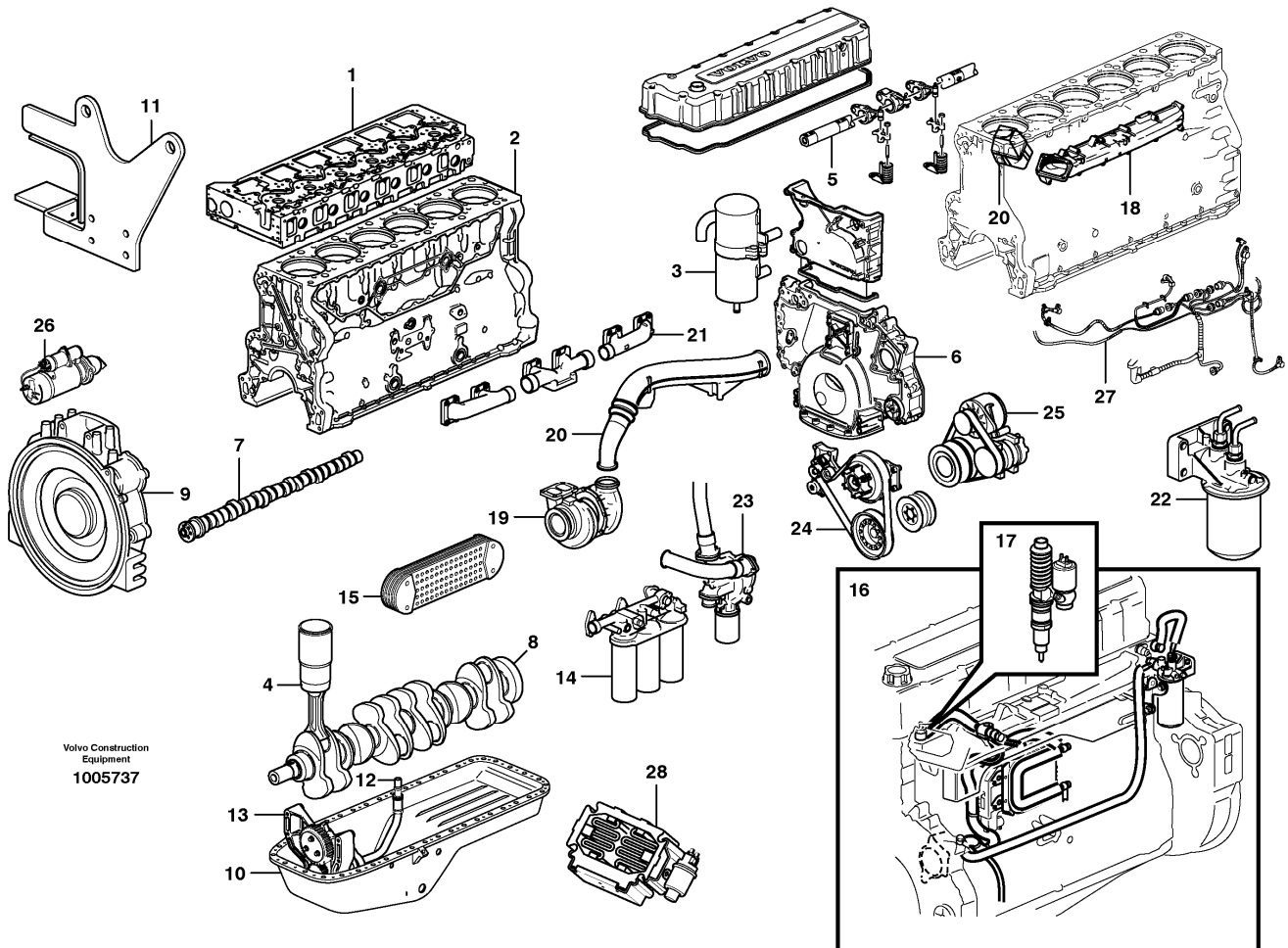
Section option	Kit	Option description
VOE8277120		Basic Machine EC460B
VOE8278900		Engine with Epa label EMISSION CERTIFICATED FROM EPA
VOE8278901		Engine with Eu label EMISSION CERTIFICATED FROM EU
VOE8278902		Engine without Epa label INT AND KOREAN MARKET

Q1-Q5	Option	Option description	
Q1 8277120 S/N -10311	VOE8277120	Basic Machine EC460B	
Q2 8278900 S/N 10312-	VOE8278900	Engine with Epa label EMISSION CERTIFICATED FROM EPA	
Q3 8278901 S/N 10312-	VOE8278901	Engine with Eu label EMISSION CERTIFICATED FROM EU	
Q4 8278902 S/N 10312-	VOE8278902	Engine without Epa label INT AND KOREAN MARKET	

Pos	Part	Q1	Q2	Q3	Q4	Q5	PS	Kit	Description	Option(s)	Remark
-----	------	----	----	----	----	----	----	-----	-------------	-----------	--------

1	VOE15002603	1						Engine		(VOE8188167)SER NO 10001-10311
	VOE15002603		1					Engine		(VOE8188167)SER NO 10312-
	VOE8188175			1			SS	Engine		SER NO 10312-
	VOE15002893				1			Engine		(VOE8188179)SER NO 10312-
2	SA9312-10175	1	1	1	1			Clamp		
3	SA9961-13508	1	1	1	1		SS	Hose		SER NO 10312-10695
	VOE14881131		1	1	1			Hose		SER NO 10696-

Date: 2014/1/21	Image id: 1005737	Catalogue: 56136	Model: EC460B LC
Brand: Volvo	Serial: 10001-11514	Group/Section: 210/200	Title: Engine

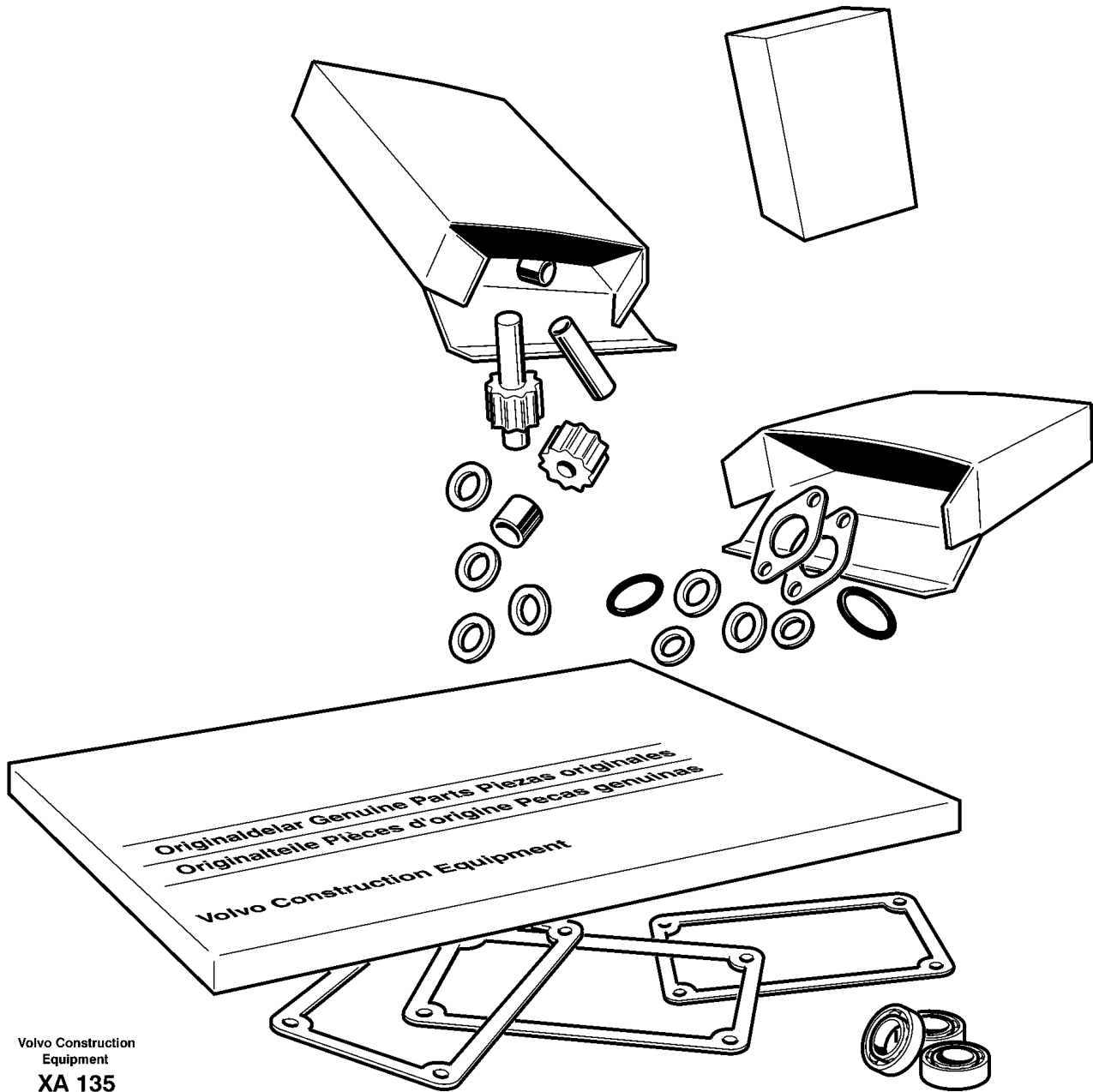


Section option	Kit	Option description
VOE8277120		Basic Machine EC460B
VOE8278900		Engine with Epa label EMISSION CERTIFICATED FROM EPA
VOE8278901		Engine with Eu label EMISSION CERTIFICATED FROM EU
VOE8278902		Engine without Epa label INT AND KOREAN MARKET

Q1-Q5	Option	Option description	
Q1 8277120 S/N -10311	VOE8277120	Basic Machine EC460B	
Q2 8278900 S/N 10312-	VOE8278900	Engine with Epa label EMISSION CERTIFICATED FROM EPA	
Q3 8278901 S/N 10312-	VOE8278901	Engine with Eu label EMISSION CERTIFICATED FROM EU	
Q4 8278902 S/N 10312-	VOE8278902	Engine without Epa label INT AND KOREAN MARKET	

Pos	Part	Q1	Q2	Q3	Q4	Q5	PS	Kit	Description	Option(s)	Remark
	VOE15002603	1							Engine		(VOE8188167)D12 CEAE2 SER NO 10001-10311
	VOE15002603		1						Engine		(VOE8188167)D12C EAE2 SER NO 10312-
	VOE8188175			1			SS		Engine		D12C EBE2 SER NO 10312-
	VOE15002893				1				Engine		(VOE8188179)D12C EFE2 SER NO 10312-
1		2	2	2	2				•Cylinder head		See group 211
2		1	1	1	1				•Cylinder block		See ref 212/100
3		1	1	1	1				•Crankcase ventilation		See ref 212/300
4		6	6	6	6				•Cylinder liner		See ref 213/100
5		1	1	1	1				•Valve mechanism		See ref 214/100
6		1	1	1	1				•Timing gear casing		See ref 215/100
7		1	1	1	1				•Camshaft		See ref 215/200
8		1	1	1	1				•Crankshaft		See ref 216/100
9		1	1	1	1				•Flywheel housing		See ref 216/200
10		1	1	1	1				•Oil sump		See ref 217/100
11		1	1	1	1				•Engine mounting		See ref 218/200
12		1	1	1	1				•Lubricating system		See ref 221/100
13		1	1	1	1				••Oil pump		See ref 221/200
14		1	1	1	1				•Oil filter		See ref 222/100
15		1	1	1	1				•Oil cooler		See ref 223/100
16		1	1	1	1				•Fuel pipes		See ref 235/200
17		1	1	1	1				••Injector		See ref 237/200
18		1	1	1	1				•Inlet pipe		See ref 251/100
19		1	1	1	1				•Turbocharger		See ref 255/100
20		1	1	1	1				•Charge air cooler		See ref 258/100
21		1	1	1	1				•Exhaust pipe		See ref 251/100
22		1	1	1	1				•Coolant filter		See ref 261/700
23		1	1	1	1				•Water pump and thermo		See ref 262/100
24		1	1	1	1				•Belt transmission		See ref 263/100
25		1	1	1	1				•Alternator with fitti		See ref 321/100
26		1	1	1	1				•Starter motor		See ref 331/100
27		1	1	1	1				•Cable harness, ECU		See ref 371/300
28		1	1	1	1				•Relay and fuse		

Date: 2014/1/21	Image id: XA135	Catalogue: 56136	Model: EC460B LC
Brand: Volvo	Serial: 10001-11514	Group/Section: 210/300	Title: Repair kits for engine



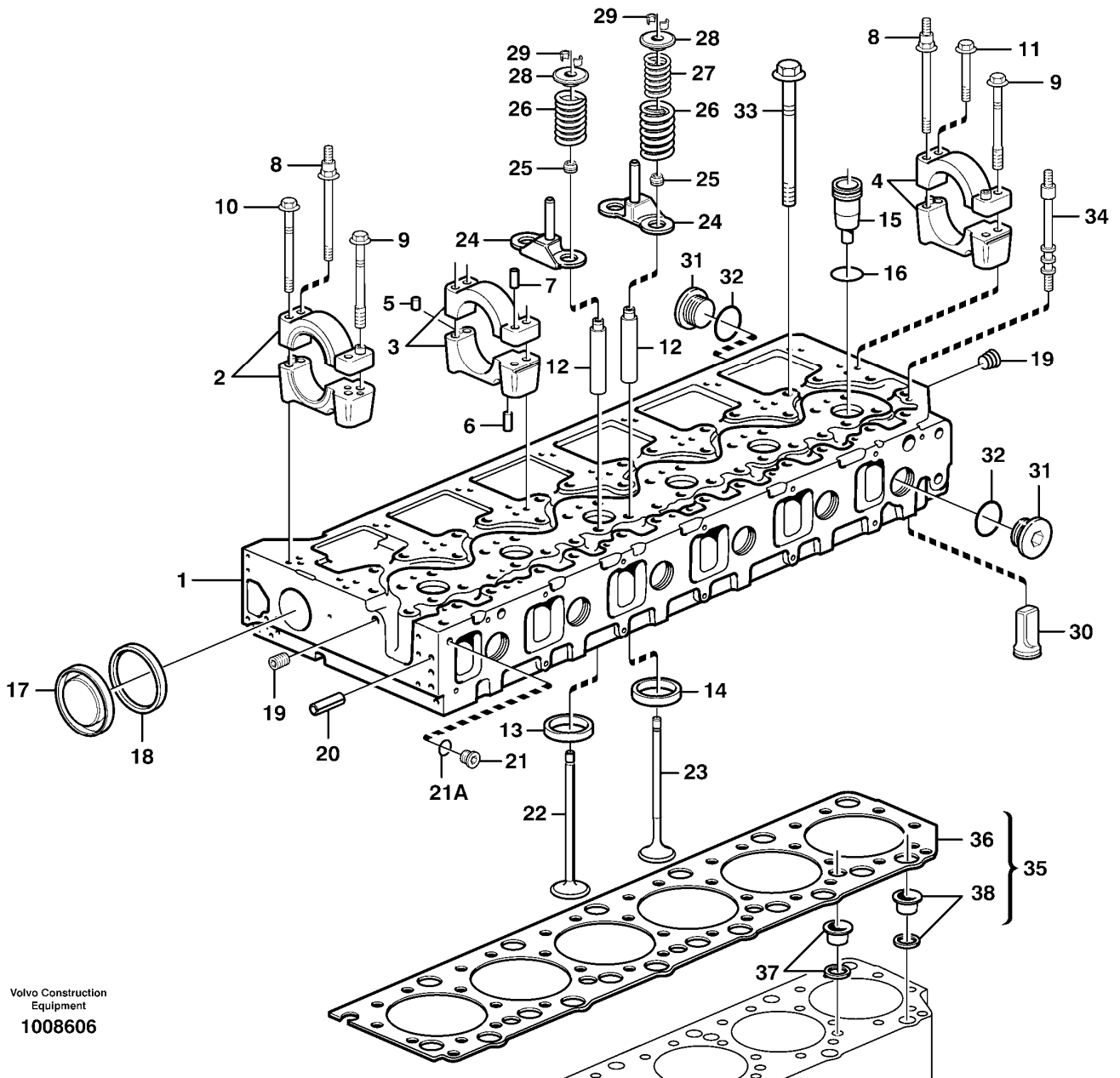
Volvo Construction
Equipment
XA 135

Section option	Kit	Option description
VOE8277120		Basic Machine EC460B
VOE8278900		Engine with Epa label EMISSION CERTIFICATED FROM EPA
VOE8278901		Engine with Eu label EMISSION CERTIFICATED FROM EU
VOE8278902		Engine without Epa label INT AND KOREAN MARKET

Q1-Q5	Option	Option description	
Q1 8277120 S/N -10311	VOE8277120	Basic Machine EC460B	
Q2 8278900 S/N 10312-	VOE8278900	Engine with Epa label EMISSION CERTIFICATED FROM EPA	
Q3 8278901 S/N 10312-	VOE8278901	Engine with Eu label EMISSION CERTIFICATED FROM EU	
Q4 8278902 S/N 10312-	VOE8278902	Engine without Epa label INT AND KOREAN MARKET	

Pos	Part	Q1	Q2	Q3	Q4	Q5	PS	Kit	Description	Option(s)	Remark
		1	1	1	1				Gasket Kit		(VOE3093503)FOR CYLINDER HEAD See ref 211/100
	VOE11712686	6	6	6	6				Cylinder liner kit		See ref 213/100
		6	6	6	6				•Sealing Kit		
		6	6	6	6				•Piston Ring Kit		
		1	1	1	1				Brg Shell Kit		CAMSHAFT See ref 215/200
		6	6	6	6				Big end brg kit		See ref 216/100
		7	7	7	7				Mn bearing kit		See ref 216/100
		1	1	1	1				Thrust washer kit		See ref 216/100
	VOE11127584	1	1	1	1				Gasket		OIL PAN See ref 217/100
	VOE3092642	1	1	1	1				Decarb Kit		FOR DECARBONIZING
	VOE3964604	16	16	16	16				•Bushing		
	VOE859171	24	24	24	24				•Valve Seal		
	VOE21070576	1	1	1	1				•Sealing strip		(VOE8170116)
	VOE1544710	2	2	2	2				•Sealing ring		
	VOE1547252	1	1	1	1				•Sealing ring		
	VOE1547254	2	2	2	2				•Sealing ring		
	VOE1636309	1	1	1	1				•Sealing ring		
	VOE1677370	2	2	2	2				•Sealing ring		
	VOE3165097	1	1	1	1				•Sealing ring		
	VOE20714247	1	1	1	1				•Seg moulding		(VOE8170452)
	VOE7011996	7	7	7	7				•Gasket		
	VOE8149301	1	1	1	1				•Gasket		
	VOE8170473	1	1	1	1				•Gasket		
	VOE8170519	1	1	1	1				•Gasket		
	VOE1675841	1	1	1	1				•Gasket		
	VOE949659	12	12	12	12				•O-ring		
	VOE3165747	6	6	6	6				•O-ring		
	VOE13949656	1	1	1	1				•O-ring		

Date: 2014/1/21	Image id: 1008606	Catalogue: 56136	Model: EC460B LC
Brand: Volvo	Serial: 10001-11514	Group/Section: 211/100	Title: Cylinder head ENG S/N -250005



Volvo Construction
Equipment
1008606

Section option	Kit	Option description
VOE8277120		Basic Machine EC460B
VOE8278900		Engine with Epa label EMISSION CERTIFICATED FROM EPA
VOE8278901		Engine with Eu label EMISSION CERTIFICATED FROM EU
VOE8278902		Engine without Epa label INT AND KOREAN MARKET

Q1-Q5	Option	Option description

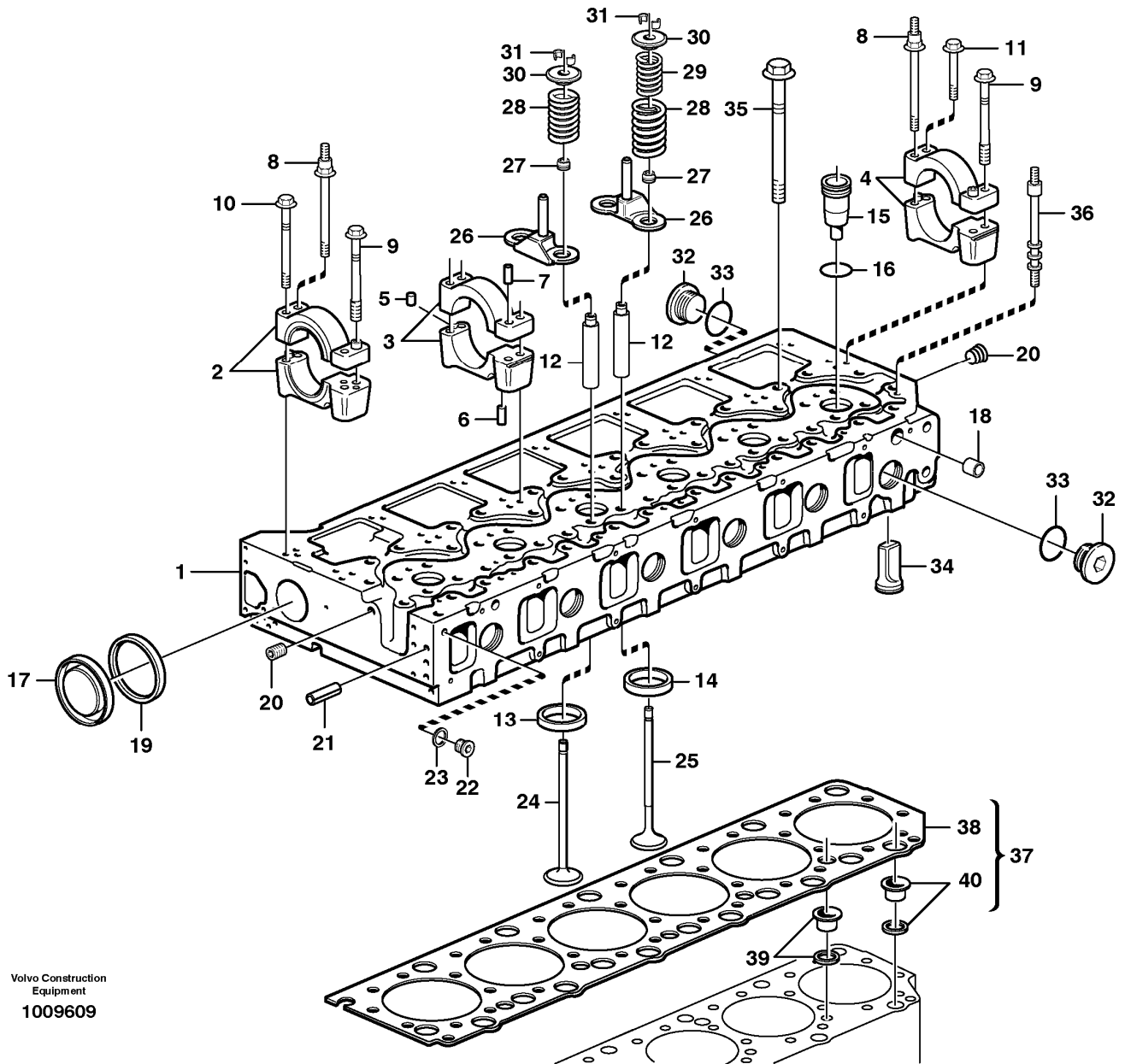
Q1 8277120 S/N -10311	VOE8277120	Basic Machine EC460B	
Q2 8278900 S/N 10312-	VOE8278900	Engine with Epa label EMISSION CERTIFICATED FROM EPA	
Q3 8278901 S/N 10312-	VOE8278901	Engine with Eu label EMISSION CERTIFICATED FROM EU	
Q4 8278902 S/N 10312-	VOE8278902	Engine without Epa label INT AND KOREAN MARKET	

Pos	Part	Q1	Q2	Q3	Q4	Q5	PS	Kit	Description	Option(s)	Remark
	VOE3165239	1	1	1	1		SS		Cylinder head		
	VOE3165380	1	1	1	1		SE		•Cylinder head		
1	VOE3165381	1	1	1	1		NS		••Cylinder head		
	VOE3165309	1	1	1	1				••Bearing housing		See footnote 1)
2	VOE3165130	1	1	1	1				•••Bearing housing		
3	VOE3165133	5	5	5	5				•••Bearing housing		
4	VOE3165136	1	1	1	1				•••Bearing housing		
5	VOE950542	7	7	7	7				••••Pin		L = 14 MM
6	VOE950562	14	14	14	14				••••Pin		L = 16 MM
7	VOE1546484	14	14	14	14				••••Sleeve		
8	VOE8170626	7	7	7	7				••Stud		
9	VOE1547889	14	14	14	14				••Screw		L = 127 MM
10	VOE1547888	1	1	1	1				••Screw		L = 106 MM
11	VOE1677283	6	6	6	6				••Screw		L = 70 MM
12	VOE20905400	24	24	24	24				••Valve guide		
13	VOE3183227	12	12	12	12				••Valve seat		STD, Inlet
	VOE3183228	12	12	12	12				••Valve seat		0,2 MM, O SZ, Inlet
14	VOE3165369	12	12	12	12				••Valve seat		STD, Exhaust
	VOE3165397	12	12	12	12				••Valve seat		0,2 MM, O SZ, Exhaust
15	VOE3183241	6	6	6	6				••Sleeve		
16	VOE3165747	6	6	6	6				••O-ring		
17	VOE8170553	1	1	1	1				••Cap plug		
18	VOE1544710	1	1	1	1				•Sealing ring		
19	VOE13968062	2	2	2	2				•Plug		
20	VOE422426	1	1	1	1				•Pin		
21	VOE20441335	1	1	1	1				•Plug		
21A	VOE13947281	1	1	1	1				•Gasket		
22	VOE3169490	12	12	12	12				•Inlet valve		(VOE3169530)
23	VOE20441945	12	12	12	12				•Exhaust valve		
24	VOE1677963	12	12	12	12				•Guide pin		
25	VOE859171	24	24	24	24				•Valve seal		
26	VOE3183210	24	24	24	24				•Valve spring		(VOE1547209)
27	VOE3183211	12	12	12	12				•Valve spring		(VOE1547210)
28	VOE1546487	24	24	24	24				•Valve spring washer		
29		48	48	48	48				•Valve Collet		
30	VOE3155057	6	6	6	6				•Nozzle		ENG - 244670
	VOE3165025	12	12	12	12		NS		•Plug		

31	VOE3155171	12	12	12	12				••Plug		
32	VOE949659	12	12	12	12				••O-ring		
33	VOE1547419	38	38	38	38				Screw		
34	VOE8148863	9	9	9	9				Stud		
35	VOE3099100	1	1	1	1				Gasket kit		(VOE3093503)
36	VOE20412953	1	1	1	1				•Gasket		
37		18	18	18	18		NS		•Sealing ring		
38		4	4	4	4		NS		•Sealing ring		

1) Replacement version

Date: 2014/1/21	Image id: 1009609	Catalogue: 56136	Model: EC460B LC
Brand: Volvo	Serial: 10001-11514	Group/Section: 211/175	Title: Cylinder head ENG S/N 250006-



Volvo Construction
Equipment
1009609

Section option	Kit	Option description
VOE8277120		Basic Machine EC460B
VOE8278900		Engine with Epa label EMISSION CERTIFICATED FROM EPA
VOE8278901		Engine with Eu label EMISSION CERTIFICATED FROM EU
VOE8278902		Engine without Epa label INT AND KOREAN MARKET

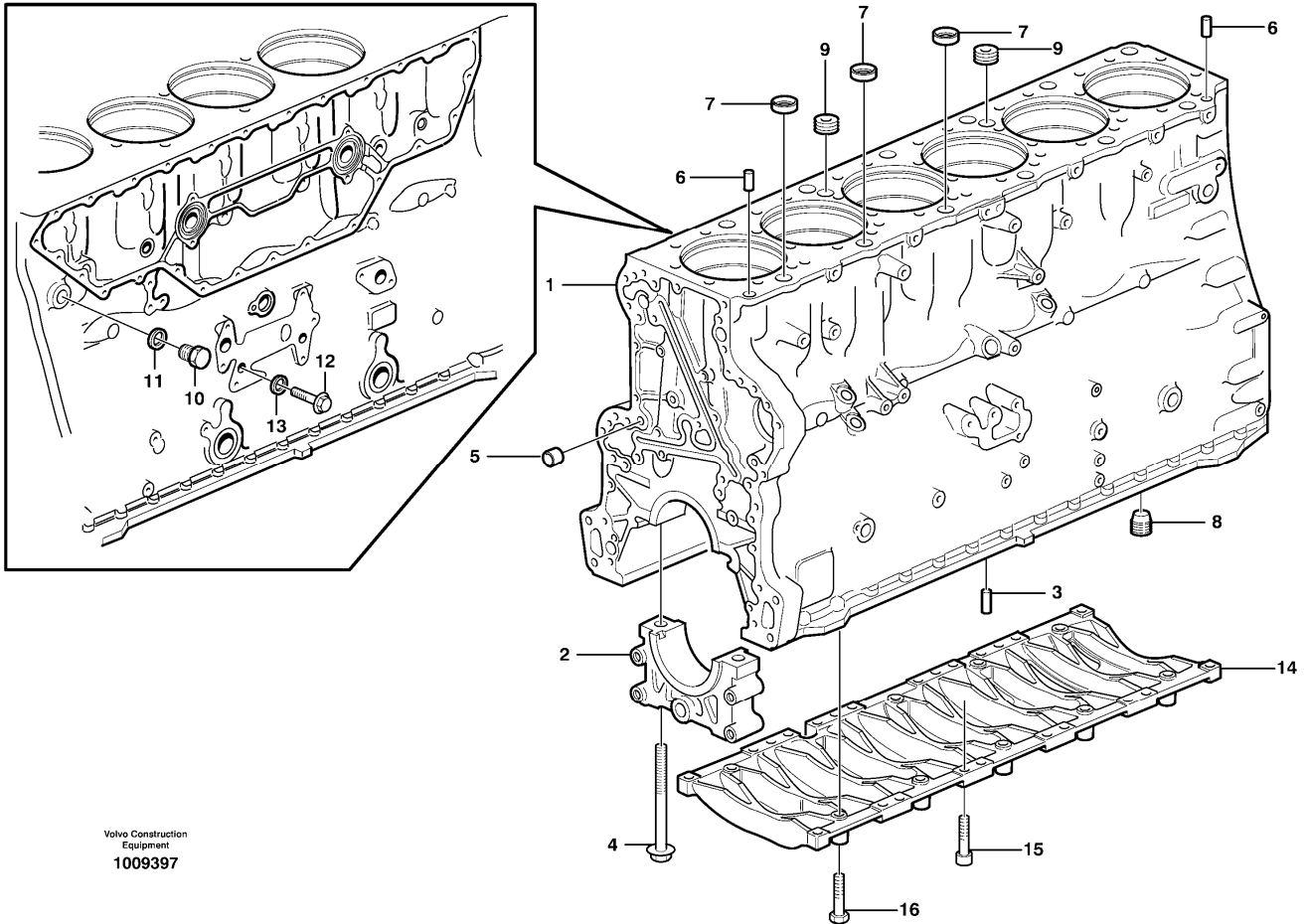
Q1-Q5	Option	Option description
Q1 8277120 S/N	VOE8277120	Basic Machine EC460B

-10311			
Q2 8278900 S/N 10312-	VOE8278900	Engine with Epa label EMISSION CERTIFICATED FROM EPA	
Q3 8278901 S/N 10312-	VOE8278901	Engine with Eu label EMISSION CERTIFICATED FROM EU	
Q4 8278902 S/N 10312-	VOE8278902	Engine without Epa label INT AND KOREAN MARKET	

Pos	Part	Q1	Q2	Q3	Q4	Q5	PS	Kit	Description	Option(s)	Remark
	VOE20561911	1	1	1	1				Cylinder head		
	VOE20535867	1	1	1	1		NS		•Cylinder head		
1	VOE3165381	1	1	1	1		NS		••Cylinder head		
2	VOE3165130	1	1	1	1				••Bearing housing		(VOE8170150)
	VOE3165130	1	1	1	1				••Bearing housing		
3	VOE8170153	5	5	5	5		OP		••Bearing Housing		
	VOE3165133	5	5	5	5				••Bearing housing		
4	VOE8170153	1	1	1	1		OP		••Bearing Housing		
	VOE3165136	1	1	1	1				••Bearing housing		
5	VOE950542	7	7	7	7				•••Pin		L = 14 MM
6	VOE950562	14	14	14	14				•••Pin		L = 16 MM
7	VOE1677189	14	14	14	14		NS		•••Sleeve		
8	VOE8170626	7	7	7	7				••Stud		
9	VOE1547889	14	14	14	14				••Screw		L = 127 MM
10	VOE1547888	1	1	1	1				••Screw		L = 106 MM
11	VOE1677283	6	6	6	6				••Screw		L = 70 MM
12	VOE20905400	24	24	24	24				••Valve guide		
13	VOE3183227	12	12	12	12				••Valve seat		STD, Inlet
	VOE3183228	12	12	12	12				••Valve seat		O SZ, Inlet
14	VOE3165369	12	12	12	12				••Valve seat		STD, Exhaust
	VOE3165397	12	12	12	12				••Valve seat		O SZ, Exhaust
15	VOE3183241	6	6	6	6				••Sleeve		
16	VOE20536487	6	6	6	6				••O-ring		
17	VOE8170553	1	1	1	1				••Cap plug		
18	VOE8131707	21	21	21	21				••Cap plug		
19	VOE1544710	1	1	1	1				•Sealing ring		
20	VOE13968062	2	2	2	2				•Plug		
21	VOE422426	1	1	1	1				•Pin		
22	VOE20441335	1	1	1	1				•Plug		
23	VOE13947281	1	1	1	1				•Gasket		
24	VOE3169490	12	12	12	12				•Inlet valve		
25	VOE20441945	12	12	12	12				•Exhaust valve		
26	VOE1677963	12	12	12	12				•Guide pin		
27	VOE859171	24	24	24	24				•Valve seal		
28	VOE3183210	24	24	24	24				•Valve spring		(VOE1547209)
29	VOE3183211	12	12	12	12				•Valve spring		(VOE1547210)
30	VOE1546487	24	24	24	24				•Valve spring washer		
31	VOE1677875	48	48	48	48				•Valve Collet		

	VOE3165025	2	2	2	2		NS		•Plug		
32	VOE3155171	2	2	2	2				••Plug		
33	VOE949659	2	2	2	2				••O-ring		
34	VOE3155057	6	6	6	6				•Nozzle		
35	VOE1547419	38	38	38	38				Screw		
36	VOE8148863	9	9	9	9				Stud		
37	VOE3099100	1	1	1	1				Gasket kit		ENG S/N -251792
38	VOE20412953	1	1	1	1				Gasket		ENG S/N 251793-
39		18	18	18	18		NS		•Sealing ring		
40		4	4	4	4		NS		•Sealing ring		

Date: 2014/1/21	Image id: 1009397	Catalogue: 56136	Model: EC460B LC
Brand: Volvo	Serial: 10001-11514	Group/Section: 212/100	Title: Cylinder block



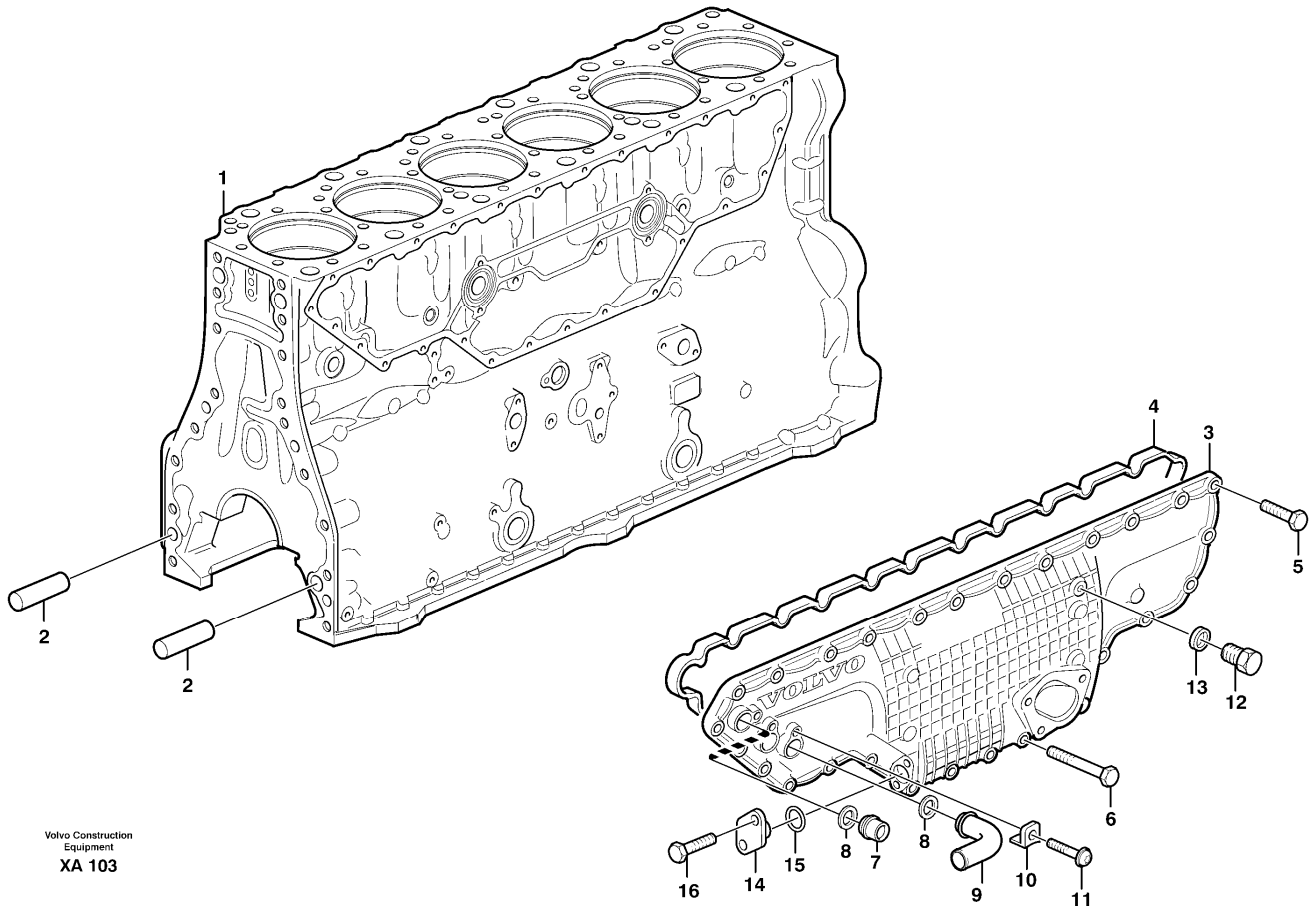
Section option	Kit	Option description
VOE8277120		Basic Machine EC460B
VOE8278900		Engine with Epa label EMISSION CERTIFICATED FROM EPA
VOE8278901		Engine with Eu label EMISSION CERTIFICATED FROM EU
VOE8278902		Engine without Epa label INT AND KOREAN MARKET

Q1-Q5	Option	Option description	
Q1 8277120 S/N -10311	VOE8277120	Basic Machine EC460B	
Q2 8278900 S/N 10312-	VOE8278900	Engine with Epa label EMISSION CERTIFICATED FROM EPA	
Q3 8278901 S/N 10312-	VOE8278901	Engine with Eu label EMISSION CERTIFICATED FROM EU	
Q4 8278902 S/N 10312-	VOE8278902	Engine without Epa label INT AND KOREAN MARKET	

Pos	Part	Q1	Q2	Q3	Q4	Q5	PS	Kit	Description	Option(s)	Remark
-----	------	----	----	----	----	----	----	-----	-------------	-----------	--------

	VOE8130120	1	1	1	1		SS		Cylinder block		
1	VOE8130121	1	1	1	1		NS		•Cylinder Block		
2		7	7	7	7		NS		•Cap		
3	VOE422426	1	1	1	1				•Pin		
4	VOE1547040	14	14	14	14				•Screw		
5	VOE981735	3	3	3	3				Cap plug		
6	VOE8170389	2	2	2	2				Guide sleeve		
7	VOE1546624	3	3	3	3				Restricting washer		E PROD
8	VOE8170666	1	1	1	1				Plug		
9	VOE3165099	2	2	2	2				Plug		ENG - 296774
10	VOE13960634	1	1	1	1				Plug		
11	VOE13947627	1	1	1	1				Plane gasket		
12	VOE946440	1	1	1	1				Flange screw		ENG 244671 -
13	VOE7011992	1	1	1	1				Gasket		ENG 244671 -
14	VOE3183414	1	1	1	1				Frame		
15	VOE973523	20	20	20	20				Allen Hd Screw		
16	VOE13965187	6	6	6	6				Screw		

Date: 2014/1/21	Image id: XA103	Catalogue: 56136	Model: EC460B LC
Brand: Volvo	Serial: 10001-11514	Group/Section: 212/200	Title: Cylinder block



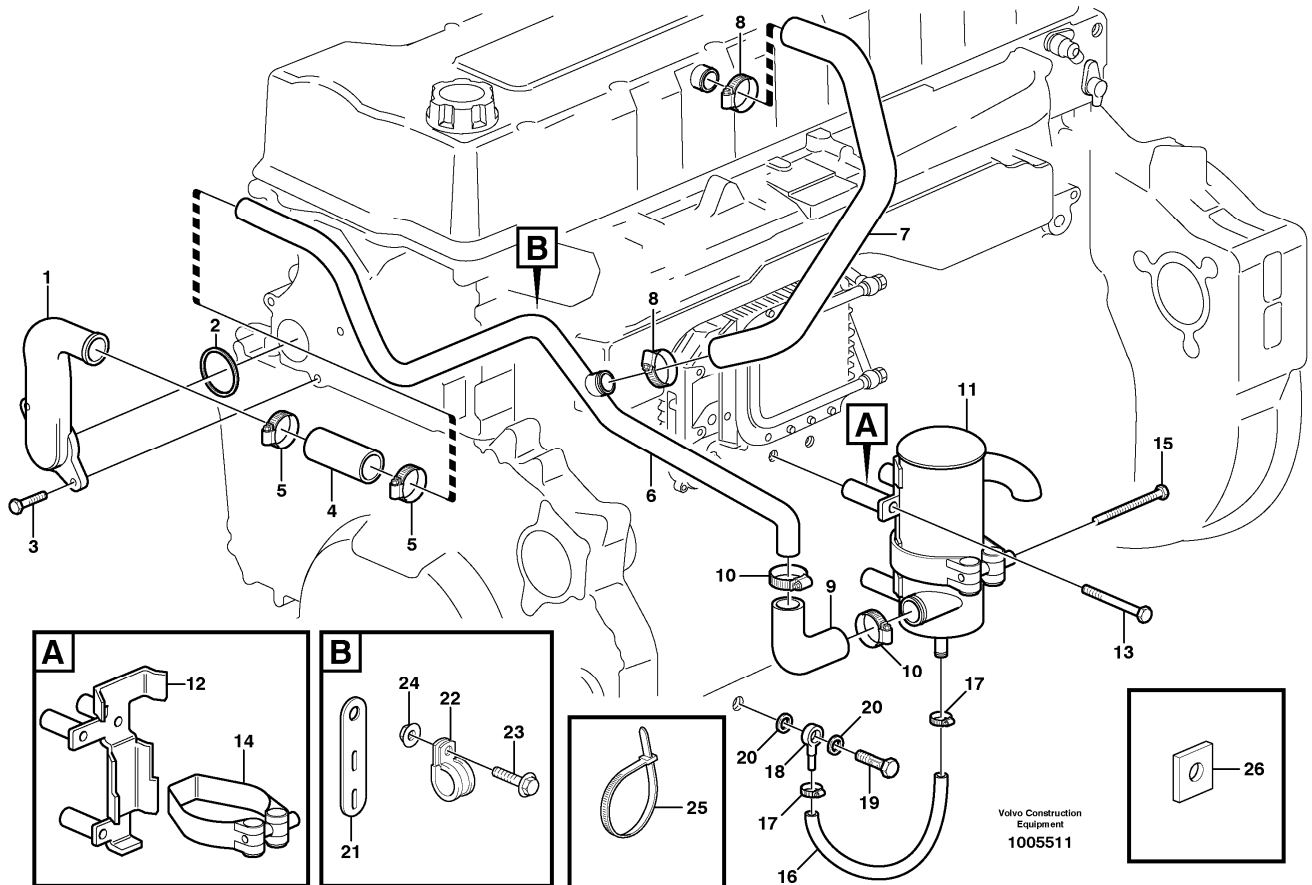
Section option	Kit	Option description
VOE8277120		Basic Machine EC460B
VOE8278900		Engine with Epa label EMISSION CERTIFICATED FROM EPA
VOE8278901		Engine with Eu label EMISSION CERTIFICATED FROM EU
VOE8278902		Engine without Epa label INT AND KOREAN MARKET

Q1-Q5	Option	Option description	
Q1 8277120 S/N -10311	VOE8277120	Basic Machine EC460B	
Q2 8278900 S/N 10312-	VOE8278900	Engine with Epa label EMISSION CERTIFICATED FROM EPA	
Q3 8278901 S/N 10312-	VOE8278901	Engine with Eu label EMISSION CERTIFICATED FROM EU	
Q4 8278902 S/N 10312-	VOE8278902	Engine without Epa label INT AND KOREAN MARKET	

Pos	Part	Q1	Q2	Q3	Q4	Q5	PS	Kit	Description	Option(s)	Remark
-----	------	----	----	----	----	----	----	-----	-------------	-----------	--------

1		1	1	1	1				Cylinder block		See ref 212/100
2	VOE8170389	2	2	2	2				Guide sleeve		
3	VOE8170596	1	1	1	1				Cover		ENG - 250501
	VOE20411014	1	1	1	1		SS		Casing		ENG S/N 250502-369406
	VOE20538056	1	1	1	1				Casing		ENG S/N 369407-
4	VOE20712545	1	1	1	1				Seal		
5	VOE13945444	20	20	20	20				Screw		
6	VOE13965180	7	7	7	7				Screw		L = 60 MM, L PROD
7	VOE1546528	1	1	1	1				Plug		
8	VOE1547252	2	2	2	2				Sealing ring		
9	VOE11063843	1	1	1	1				Pipe		ENG S/N -246684
	VOE1546528	1	1	1	1				Plug		ENG S/N 246685-
10	VOE1546532	2	2	2	2				Lock		
11	VOE13972542	2	2	2	2				Six point socket screw		
12	VOE960631	2	2	2	2				Plug		
13	VOE7011996	2	2	2	2				Gasket		
14	VOE471752	1	1	1	1				Cover		E PROD
15	VOE975664	1	1	1	1				O-ring		E PROD
16	VOE13946544	2	2	2	2				Screw		E PROD

Date: 2014/1/21	Image id: 1005511	Catalogue: 56136	Model: EC460B LC
Brand: Volvo	Serial: 10001-11514	Group/Section: 212/300	Title: Crankcase ventilation



Volvo Construction
Equipment
1005511

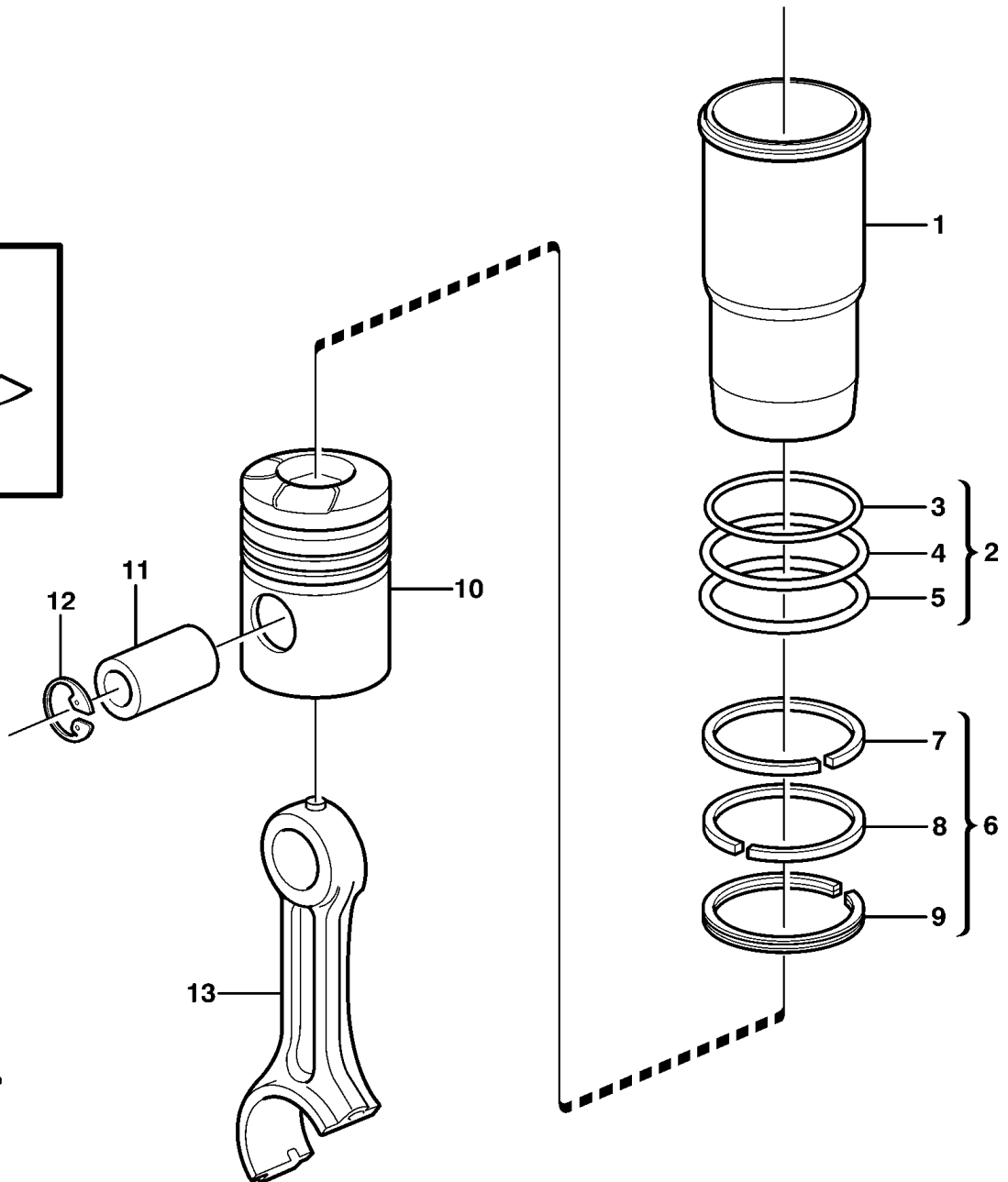
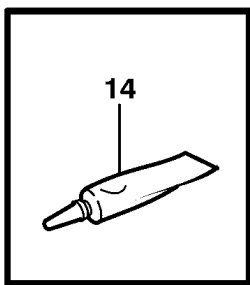
Section option	Kit	Option description
VOE8277120		Basic Machine EC460B
VOE8278900		Engine with Epa label EMISSION CERTIFICATED FROM EPA
VOE8278901		Engine with Eu label EMISSION CERTIFICATED FROM EU
VOE8278902		Engine without Epa label INT AND KOREAN MARKET

Q1-Q5	Option	Option description	
Q1 8277120 S/N -10311	VOE8277120	Basic Machine EC460B	
Q2 8278900 S/N 10312-	VOE8278900	Engine with Epa label EMISSION CERTIFICATED FROM EPA	
Q3 8278901 S/N 10312-	VOE8278901	Engine with Eu label EMISSION CERTIFICATED FROM EU	
Q4 8278902 S/N 10312-	VOE8278902	Engine without Epa label INT AND KOREAN MARKET	

Pos	Part	Q1	Q2	Q3	Q4	Q5	PS	Kit	Description	Option(s)	Remark
-----	------	----	----	----	----	----	----	-----	-------------	-----------	--------

1	VOE11127358	1	1	1	1				Flange pipe		
2	VOE3165097	1	1	1	1				Sealing ring		
3	VOE13945444	2	2	2	2				Screw		
4	VOE11128750	1	1	1	1				Hose		L = 100 MM
5	VOE943476	2	2	2	2				Hose clamp		
6	VOE11127610	1	1	1	1		SS		Tube		(VOE11127610)Eng S/ N -296527
	VOE11128741	1	1	1	1				Tube		Eng S/N 296528-
7	VOE11128755	1	1	1	1				Hose		
8	VOE943476	2	2	2	2				Hose clamp		
9	VOE11128756	1	1	1	1				Hose		
10	VOE943476	2	2	2	2				Hose clamp		
11	VOE11033878	1	1	1	1				Oil trap		
12	VOE11423146	1	1	1	1				Attachment		
13	VOE13965188	3	3	3	3				Screw		
14	VOE420914	1	1	1	1				Tensioning Band		
15	VOE1545257	1	1	1	1				Screw		
16	VOE983342	REQ	REQ	REQ	REQ				Hose		L = 480 MM
17	VOE943471	2	2	2	2				Hose clamp		
18	VOE11423224	1	1	1	1				Tube		
19	VOE7025167	1	1	1	1				Hollow screw		
20	VOE976929	2	2	2	2				Gasket		
21	VOE965541	1	1	1	1		NS		Bracket		E PROD
22	VOE13949997	1	1	1	1				Clamp		E PROD
23	VOE13946934	1	1	1	1				Screw		E PROD
24	VOE13945407	1	1	1	1				Nut		E PROD
25	VOE4881440	1	1	1	1				Cable tie		
26	VOE1581464	1	1	1	1				Washer		

Date: 2014/1/21	Image id: XA105	Catalogue: 56136	Model: EC460B LC
Brand: Volvo	Serial: 10001-11514	Group/Section: 213/100	Title: Cylinder liner and piston



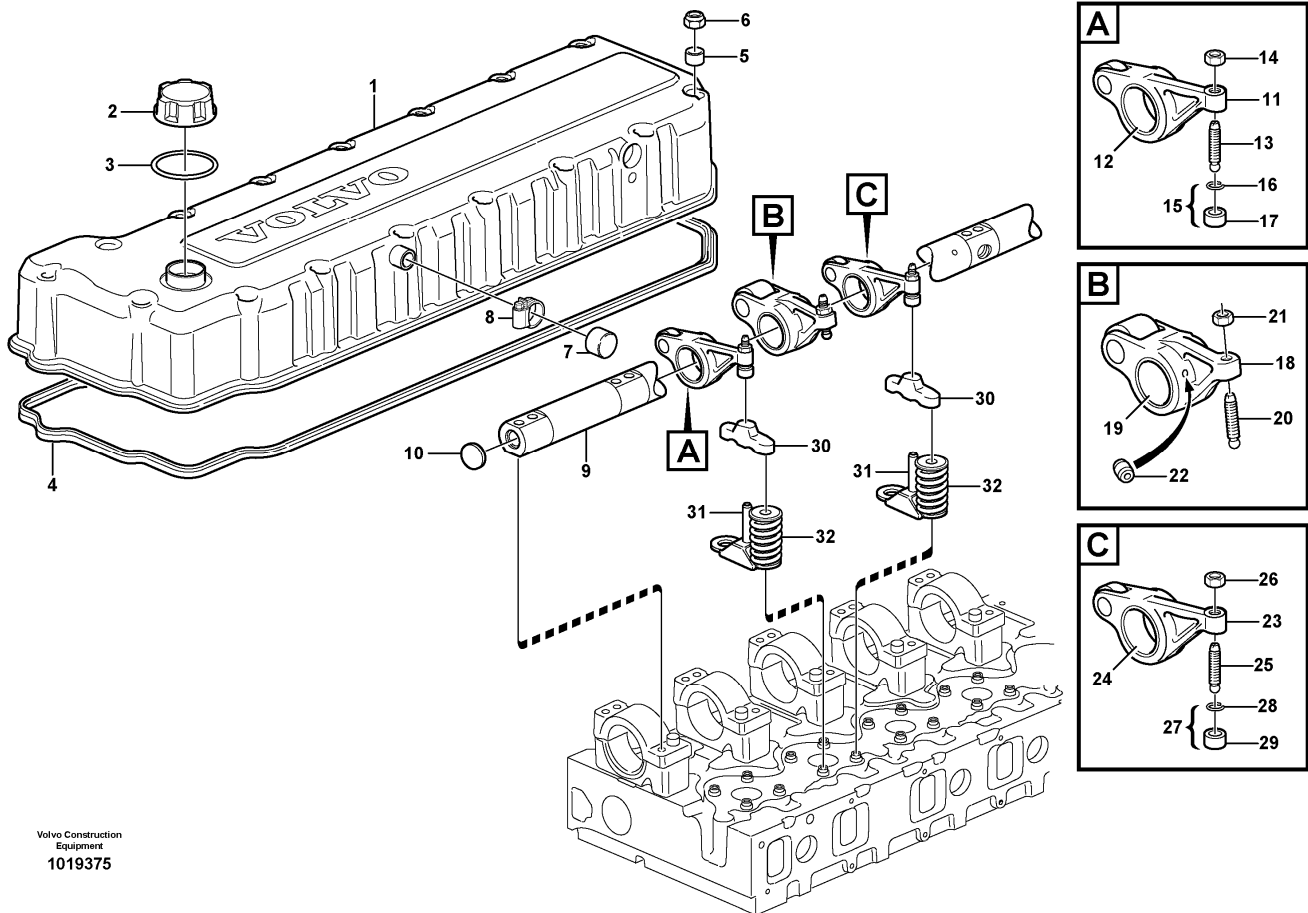
Volvo Construction
Equipment
XA 105

Section option	Kit	Option description
VOE8277120		Basic Machine EC460B
VOE8278900		Engine with Epa label EMISSION CERTIFICATED FROM EPA
VOE8278901		Engine with Eu label EMISSION CERTIFICATED FROM EU
VOE8278902		Engine without Epa label INT AND KOREAN MARKET

Q1-Q5	Option	Option description	
Q1 8277120 S/N -10311	VOE8277120	Basic Machine EC460B	
Q2 8278900 S/N 10312-	VOE8278900	Engine with Epa label EMISSION CERTIFICATED FROM EPA	
Q3 8278901 S/N 10312-	VOE8278901	Engine with Eu label EMISSION CERTIFICATED FROM EU	
Q4 8278902 S/N 10312-	VOE8278902	Engine without Epa label INT AND KOREAN MARKET	

Pos	Part	Q1	Q2	Q3	Q4	Q5	PS	Kit	Description	Option(s)	Remark
	VOE276939	6	6	6	6		SS		Cylinder liner kit		
1	VOE8170119	6	6	6	6		NS		•Cylinder liner		
2	VOE270950	6	6	6	6				•Sealing kit		
3	VOE470922	6	6	6	6				••Seal Ring		UPPER
4	VOE470190	12	12	12	12		NS		••Sealing ring		CENT
5	VOE270950	6	6	6	6				••Sealing kit		LOW
6	VOE276949	6	6	6	6				•Piston ring kit		
7		6	6	6	6				••Compression ring		UPPER
8		6	6	6	6				••Compression ring		LOW
9	VOE3184885	6	6	6	6		OP		••Oil scraper ring		
10		6	6	6	6				•Piston		
11	VOE3155115	6	6	6	6				•Gudgeon pin		
12	VOE914530	12	12	12	12				•Retaining ring		
13		6	6	6	6				Connecting rod		See ref 216/100
14	VOE1161277	REQ	REQ	REQ	REQ				Sealant		20 GRAM
	VOE11713514	REQ	REQ	REQ	REQ				Sealant		(VOE1161231)304 ML

Date: 2014/1/21	Image id: 1019375	Catalogue: 56136	Model: EC460B LC
Brand: Volvo	Serial: 10001-11514	Group/Section: 214/100	Title: Valve mechanism



Section option	Kit	Option description
VOE8277120		Basic Machine EC460B
VOE8278900		Engine with Epa label EMISSION CERTIFICATED FROM EPA
VOE8278901		Engine with Eu label EMISSION CERTIFICATED FROM EU
VOE8278902		Engine without Epa label INT AND KOREAN MARKET

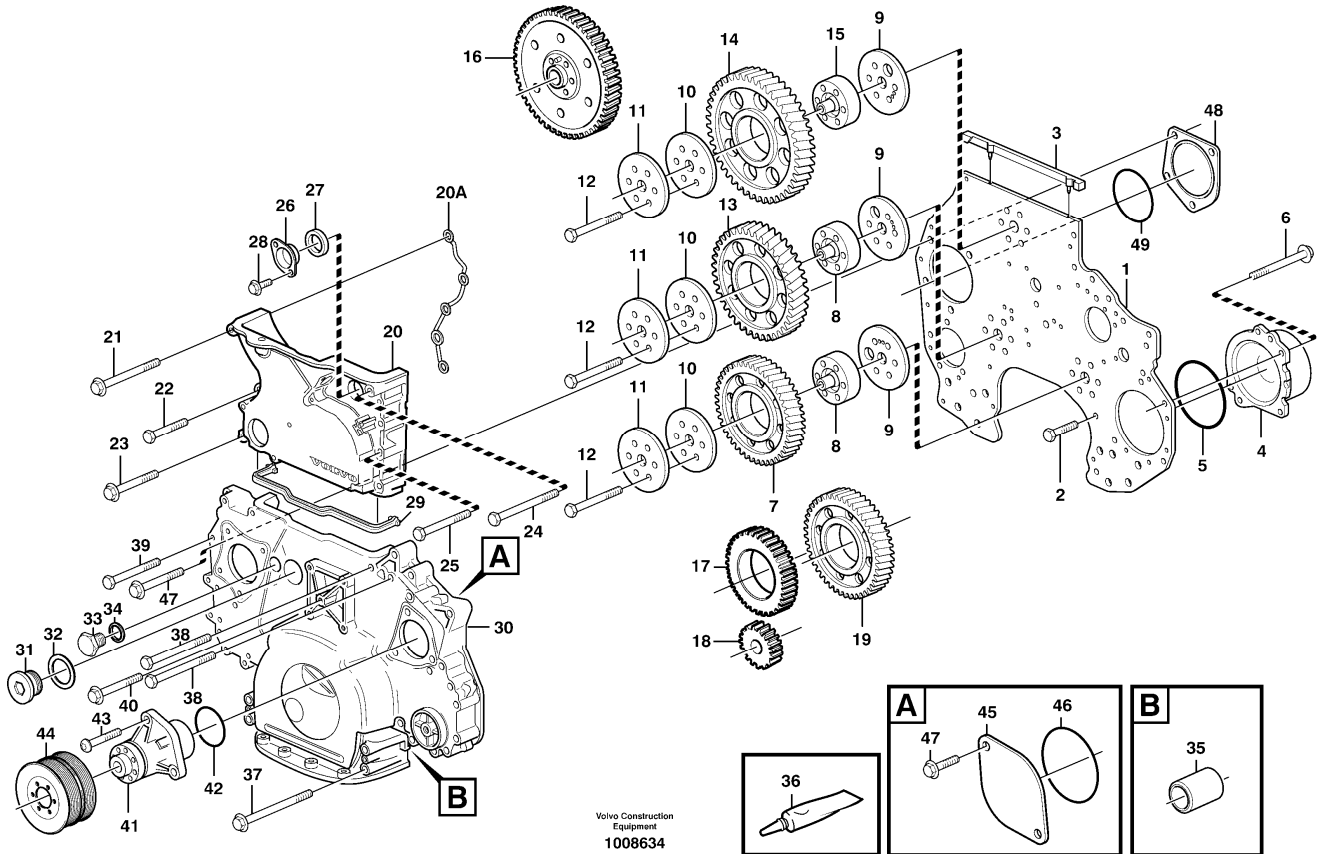
Q1-Q5	Option	Option description	
Q1 8277120 S/N -10311	VOE8277120	Basic Machine EC460B	
Q2 8278900 S/N 10312-	VOE8278900	Engine with Epa label EMISSION CERTIFICATED FROM EPA	
Q3 8278901 S/N 10312-	VOE8278901	Engine with Eu label EMISSION CERTIFICATED FROM EU	
Q4 8278902 S/N 10312-	VOE8278902	Engine without Epa label INT AND KOREAN MARKET	

Pos	Part	Q1	Q2	Q3	Q4	Q5	PS	Kit	Description	Option(s)	Remark
-----	------	----	----	----	----	----	----	-----	-------------	-----------	--------

	VOE21052622	1	1	1	1				Valve cover		(VOE20536911)
1	VOE8130101	1	1	1	1		NS		•Valve cover		
2	VOE20807510	1	1	1	1				•Oil filler cap		
3		1	1	1	1		NS		••Gasket		
4	VOE21070576	1	1	1	1				Sealing strip		(VOE8170116)
5	VOE3964604	16	16	16	16				Bushing		
6	VOE8148488	16	16	16	16				Lock nut		
7	VOE424543	1	1	1	1				Rubber cap		E PROD
8	VOE943476	1	1	1	1				Hose clamp		E PROD
	VOE8170158	1	1	1	1				Rocker arm shaft		
9	VOE8170159	1	1	1	1		OP		•Rocker arm shaft		
10	VOE980176	2	2	2	2				•Expansion plug		
	VOE8148450	6	6	6	6		SS		Rocker arm		(VOE8148450)INLET ENG S/N -270034
	VOE20738717	6	6	6	6				Rocker Arm		INLET ENG S/N 270035-
	VOE1547965	6	6	6	6		OP		•Rocker arm		
11	VOE1546690	6	6	6	6		NS		••Rocker arm		
12	VOE1546681	6	6	6	6				••Bushing		
13	VOE1546458	6	6	6	6				•Ball stud		
14	VOE13946911	6	6	6	6				•Nut		
15	VOE20441753	6	6	6	6				•Ball socket		(VOE11707340)
16	VOE944364	6	6	6	6				••O-ring		
17	VOE1546460	6	6	6	6		NS		••Ball socket		
	VOE3155125	6	6	6	6		SS		Rocker arm		ENG S/N -270034
	VOE20738748	6	6	6	6				Rocker Arm		ENG S/N 270035-
18	VOE3155126	6	6	6	6		NS		•Rocker arm		
19	VOE3155127	6	6	6	6		SS		•Bushing		
20	VOE1546775	6	6	6	6				•Ball stud		
21	VOE1677396	6	6	6	6				•Hexagon nut		
22	VOE3964817	12	12	12	12				•Jet		
	VOE8148445	6	6	6	6		SS		Rocker arm		(VOE8148445) EXHAUST ENG S/N -270034
	VOE21024789	6	6	6	6				Rocker arm		(VOE20738736) EXHAUST ENG S/N 270035-
	VOE1547964	6	6	6	6		NS		•Rocker Arm		
23	VOE1546688	6	6	6	6		NS		••Rocker arm		
24	VOE1546681	6	6	6	6				••Bushing		
25	VOE1546458	6	6	6	6				•Ball stud		
26	VOE13946911	6	6	6	6				•Nut		
27	VOE20441753	6	6	6	6				•Ball socket		(VOE11707340)
28	VOE944364	6	6	6	6				••O-ring		
29	VOE1546460	6	6	6	6		NS		••Ball socket		
30	VOE1547919	12	12	12	12				Yoke		Eng S/N -286886
	VOE1547919	6	6	6	6				Yoke		Eng S/N 286887-
	VOE3183207	6	6	6	6				Valve cap		Inlet Eng S/N 286887-

31		12	12	12	12				Guide pin		See group 211
32		24	24	24	24				Valve spring		See group 211

Date: 2014/1/21	Image id: 1008634	Catalogue: 56136	Model: EC460B LC
Brand: Volvo	Serial: 10001-11514	Group/Section: 215/100	Title: Timing gear casing and gears



Section option	Kit	Option description
VOE8277120		Basic Machine EC460B
VOE8278900		Engine with Epa label EMISSION CERTIFICATED FROM EPA
VOE8278901		Engine with Eu label EMISSION CERTIFICATED FROM EU
VOE8278902		Engine without Epa label INT AND KOREAN MARKET

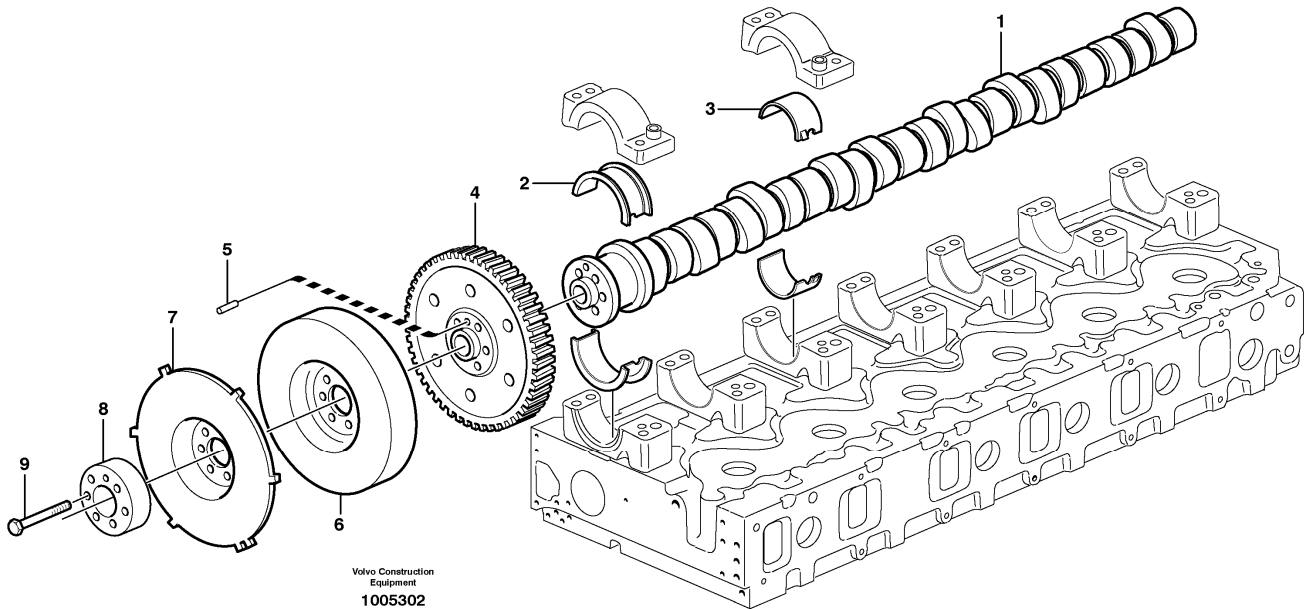
Q1-Q5	Option	Option description	
Q1 8277120 S/N -10311	VOE8277120	Basic Machine EC460B	
Q2 8278900 S/N 10312-	VOE8278900	Engine with Epa label EMISSION CERTIFICATED FROM EPA	
Q3 8278901 S/N 10312-	VOE8278901	Engine with Eu label EMISSION CERTIFICATED FROM EU	
Q4 8278902 S/N 10312-	VOE8278902	Engine without Epa label INT AND KOREAN MARKET	

Pos	Part	Q1	Q2	Q3	Q4	Q5	PS	Kit	Description	Option(s)	Remark
1	VOE8170561	1	1	1	1				Xmsn Plate		
2	VOE946470	17	17	17	17				Flange screw		

3	VOE20489341	1	1	1	1				Gasket		
4	VOE11128611	1	1	1	1				Bearing housing		E PROD
5	VOE13949736	1	1	1	1				O-ring		E PROD
6	VOE965197	4	4	4	4				Flange screw		(VOE13965197)
7	VOE8170193	1	1	1	1				Idler gear		
8	VOE8170219	2	2	2	2				Hub		
9	VOE8170220	3	3	3	3				Thrust washer		
10	VOE3184865	3	3	3	3				Thrust washer		
11	VOE3184868	3	3	3	3				Bearing shield		
12	VOE1547886	18	18	18	18				Screw		
13	VOE8170195	1	1	1	1				Idler gear		
14	VOE8170197	1	1	1	1				Idler gear		
15	VOE8170199	1	1	1	1				Hub		
16		1	1	1	1				Gear		See ref 215/200
17		1	1	1	1				Idler gear		See ref 221/200
18		1	1	1	1				Gear		See ref 221/200
19		1	1	1	1		NS		Gear		See ref 262/100
20	VOE20512768	1	1	1	1				Timing gear cover		
20A	VOE3830184	1	1	1	1				Sealing		
21	VOE968553	1	1	1	1				Flange screw		L = 115 MM
22	VOE13965182	3	3	3	3				Screw		L = 80 MM
23	VOE13965183	1	1	1	1				Flange screw		L = 90 MM
24	VOE13965190	1	1	1	1				Screw		L = 100 MM
25	VOE13965223	1	1	1	1				Screw		L = 75 MM
	VOE13947790	2	2	2	2				Screw		L = 80 MM
26	VOE3964803	1	1	1	1				Plug		
27	VOE20555696	1	1	1	1				Sealing ring		
28	VOE946440	2	2	2	2				Flange screw		
29	VOE20714247	1	1	1	1				Seg moulding		(VOE8170452)
	VOE3835799	1	1	1	1				Tmg Gear Cover		
30	VOE3826577	1	1	1	1		NS		•Tmg gear cover		
31	VOE467367	1	1	1	1				••Plug		
32	VOE1556907	1	1	1	1				••Gasket		
33	VOE13960632	2	2	2	2				••Plug		
34	VOE948884	2	2	2	2				••Plane gasket		
35	VOE1547940	2	2	2	2				••Sleeve		
36	VOE11713514	REQ	REQ	REQ	REQ				Sealant		(VOE1161231)304 ML
	VOE1161277	REQ	REQ	REQ	REQ				Sealant		20 GRAM
37	VOE973096	4	4	4	4				Flange screw		L = 130 MM
38	VOE13947790	2	2	2	2				Screw		L = 80 MM
39	VOE955302	11	11	11	11				Hexagon screw		L = 60 MM
	VOE13965181	1	1	1	1				Screw		L = 70 MM
40	VOE13965183	1	1	1	1				Flange screw		L = 90 MM
41	VOE8193986	1	1	1	1				Driving device		
42	VOE967344	1	1	1	1				O-ring		
43	VOE969542	1	1	1	1				Six point socket screw		L = 35 MM

44		1	1	1	1				Pulley		See ref 263/100
45	VOE3828400	1	1	1	1				Cover		
46	VOE925257	1	1	1	1				O-ring		ENG S/N -246684
	VOE13925095	1	1	1	1				O-ring		ENG S/N 246685-
47	VOE946441	2	2	2	2				Flange screw		
48	VOE1556208	1	1	1	1				Cover		
49	VOE13948983	1	1	1	1				O-ring		ENG S/N -264481
	VOE13948888	1	1	1	1				O-ring		ENG S/N 264482-

Date: 2014/1/21	Image id: 1005302	Catalogue: 56136	Model: EC460B LC
Brand: Volvo	Serial: 10001-11514	Group/Section: 215/200	Title: Camshaft



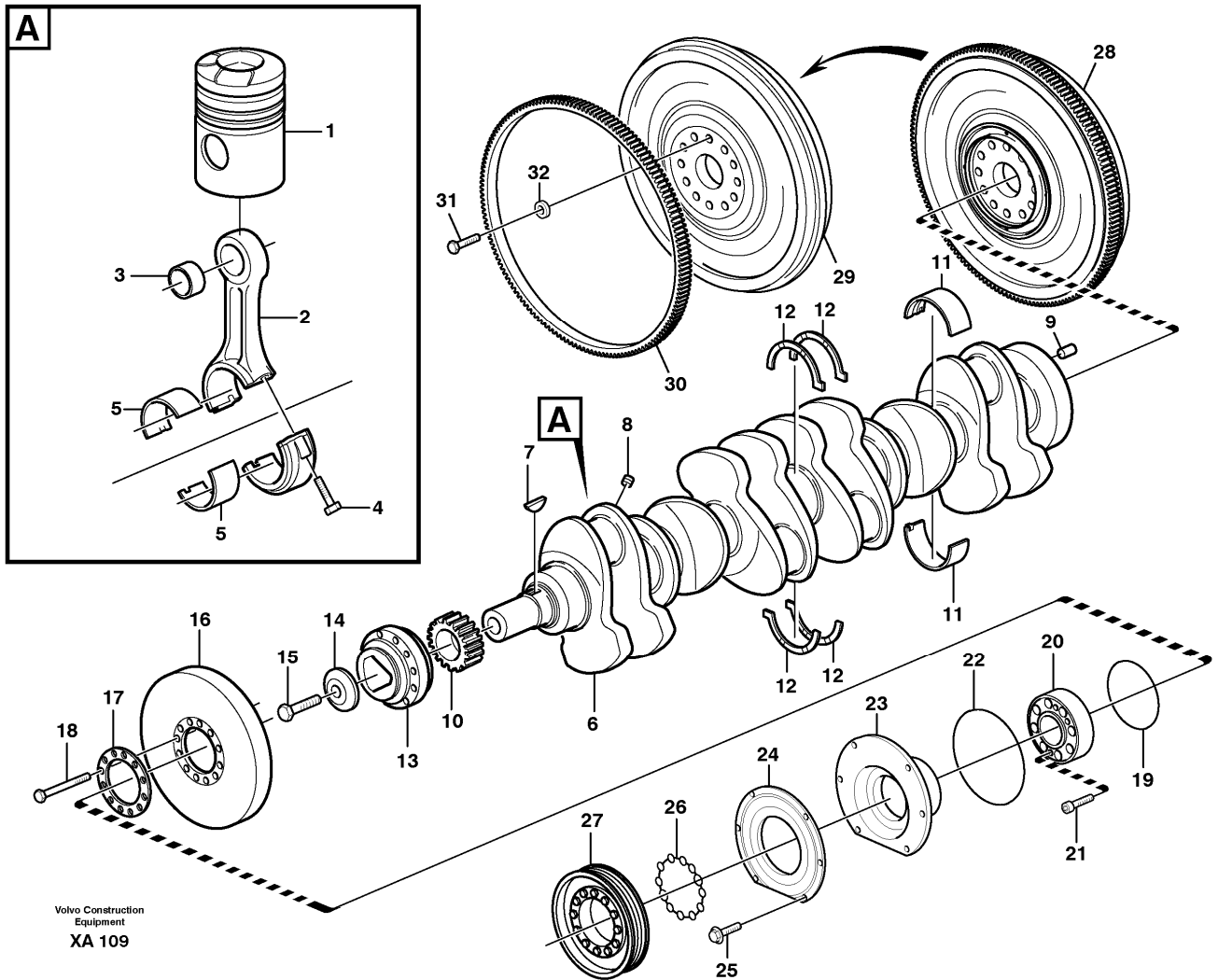
Section option	Kit	Option description
VOE8277120		Basic Machine EC460B
VOE8278900		Engine with Epa label EMISSION CERTIFICATED FROM EPA
VOE8278901		Engine with Eu label EMISSION CERTIFICATED FROM EU
VOE8278902		Engine without Epa label INT AND KOREAN MARKET

Q1-Q5	Option	Option description	
Q1 8277120 S/N -10311	VOE8277120	Basic Machine EC460B	
Q2 8278900 S/N 10312-	VOE8278900	Engine with Epa label EMISSION CERTIFICATED FROM EPA	
Q3 8278901 S/N 10312-	VOE8278901	Engine with Eu label EMISSION CERTIFICATED FROM EU	
Q4 8278902 S/N 10312-	VOE8278902	Engine without Epa label INT AND KOREAN MARKET	

Pos	Part	Q1	Q2	Q3	Q4	Q5	PS	Kit	Description	Option(s)	Remark
1	VOE3165423	1	1	1	1				Camshaft		
2	VOE276626	1	1	1	1				Bearing shell kit		ENG - 302887
2	VOE20503200	1	1	1	1				Bearing shell kit		ENG 302888 -
3	VOE276630	6	6	6	6				Bearing shell kit		STD,ENG S/N 302888-
	VOE1677212	12	12	12	12				•Bearing shell		STD

	VOE1677551	12	12	12	12				Bearing shell		0,25 US
4	VOE8170574	1	1	1	1		SS		Gear		ENG - 260375
	VOE20450344	1	1	1	1				Gear		ENG 260376 -
5	VOE950572	1	1	1	1				•Grooving tool		
6	VOE8170954	1	1	1	1				Vibration damper		
7	VOE3155166	1	1	1	1				Tooth Wheel		
8	VOE20440991	1	1	1	1				Spacer		ENG 260376 -
9	VOE471555	6	6	6	6				Screw		ENG - 260375
	VOE20441079	6	6	6	6				Flange screw		ENG 260376 -

Date: 2014/1/21	Image id: XA109	Catalogue: 56136	Model: EC460B LC
Brand: Volvo	Serial: 10001-11514	Group/Section: 216/100	Title: Crankshaft and related parts



Section option	Kit	Option description
VOE8277120		Basic Machine EC460B
VOE8278900		Engine with Epa label EMISSION CERTIFICATED FROM EPA
VOE8278901		Engine with Eu label EMISSION CERTIFICATED FROM EU
VOE8278902		Engine without Epa label INT AND KOREAN MARKET

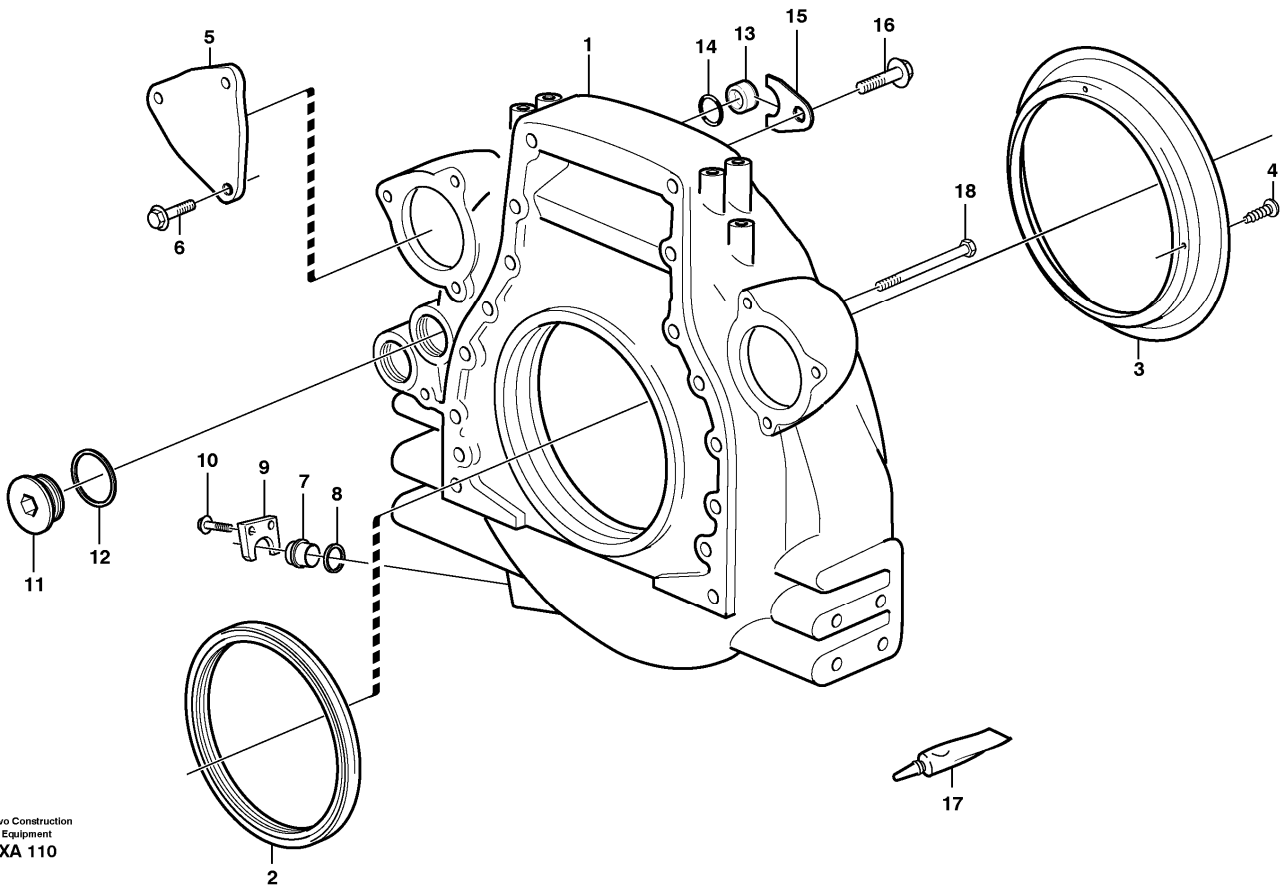
Q1-Q5	Option	Option description	
Q1 8277120 S/N -10311	VOE8277120	Basic Machine EC460B	
Q2 8278900 S/N 10312-	VOE8278900	Engine with Epa label EMISSION CERTIFICATED FROM EPA	
Q3 8278901 S/N 10312-	VOE8278901	Engine with Eu label EMISSION CERTIFICATED FROM EU	

Q4 8278902 S/N 10312-	VOE8278902	Engine without Epa label INT AND KOREAN MARKET	
--------------------------	------------	--	--

Pos	Part	Q1	Q2	Q3	Q4	Q5	PS	Kit	Description	Option(s)	Remark
1		6	6	6	6				Piston		See ref 213/100
	VOE20412200	6	6	6	6				Connecting rod		(VOE3184823)
2	VOE3184824	6	6	6	6		NS		•Connecting rod		
3	VOE20381185	6	6	6	6				•Bushing		
4	VOE1543035	12	12	12	12				•Screw		
5	VOE276134	REQ	REQ	REQ	REQ				Big End Brg Kit		STD
	VOE276135	REQ	REQ	REQ	REQ				Big End Brg Kit		0,25 MM U SZ
	VOE276136	REQ	REQ	REQ	REQ				Big End Brg Kit		0,50 MM U SZ
	VOE276137	REQ	REQ	REQ	REQ				Big End Brg Kit		0,75 MM U SZ
	VOE276334	REQ	REQ	REQ	REQ				Big End Brg Kit		1,00 MM U SZ
	VOE276349	REQ	REQ	REQ	REQ				Big End Brg Kit		1,25 MM U SZ
6	VOE20411189	1	1	1	1				Crankshaft		ENG S/N -400850
	VOE20533089	1	1	1	1				Crankshaft		ENG S/N 400851-
7	VOE422253	1	1	1	1				••Key		
8	VOE13978130	6	6	6	6				••Plug		
9	VOE950644	1	1	1	1				••Pin		
10	VOE8170192	1	1	1	1				•Gear		
11	VOE20530916	7	7	7	7				Mn Bearing Kit		STD
	VOE276616	7	7	7	7				Mn Bearing Kit		0,25 MM U SZ
	VOE276617	7	7	7	7				Mn Bearing Kit		0,50 MM U SZ
	VOE276618	7	7	7	7				Mn Bearing Kit		0,75 MM U SZ
	VOE276619	7	7	7	7				Mn Bearing Kit		1,00 MM U SZ
	VOE20578628	7	7	7	7				Main Bearing		(VOE276620)1,25 MM U SZ
12	VOE3093651	1	1	1	1				Thr Washer Kit		STD
	VOE3093652	1	1	1	1				Thr Washer Kit		(VOE276792)0,1 MM O SZ
	VOE3093653	1	1	1	1				Thr Washer Kit		0,2 MM O SZ
13	VOE11707317	1	1	1	1				Hub		
14	VOE422124	1	1	1	1				Washer		
15	VOE1543316	1	1	1	1				Screw		
16	VOE8193930	1	1	1	1				Vib Damper		
17	VOE8193962	1	1	1	1				Washer		
18	VOE13970887	10	10	10	10				Hexagon screw		
19	VOE13945512	1	1	1	1				O-ring		
20	VOE3826656	1	1	1	1				Comp Flange		
21	VOE13974111	2	2	2	2				Allen Hd Screw		
22	VOE3832906	1	1	1	1				O-ring		
23	VOE3832863	1	1	1	1				Sealing ring		(VOE3828023)
24	VOE3827504	1	1	1	1				Dust Cover		
25	VOE946440	6	6	6	6				Flange screw		
26	VOE3827530	1	1	1	1				Sealing ring		
27	VOE11127304	1	1	1	1				Strap		

28	VOE11127311	1	1	1	1				Flywheel		
29	VOE11127305	1	1	1	1		NS		•Flywheel		
30	VOE8193939	1	1	1	1				•Gear Ring		
31	VOE1677893	14	14	14	14				Screw		
32	VOE1543563	14	14	14	14				Washer		

Date: 2014/1/21	Image id: XA110	Catalogue: 56136	Model: EC460B LC
Brand: Volvo	Serial: 10001-11514	Group/Section: 216/200	Title: Flywheel housing



Volvo Construction
Equipment
XA 110

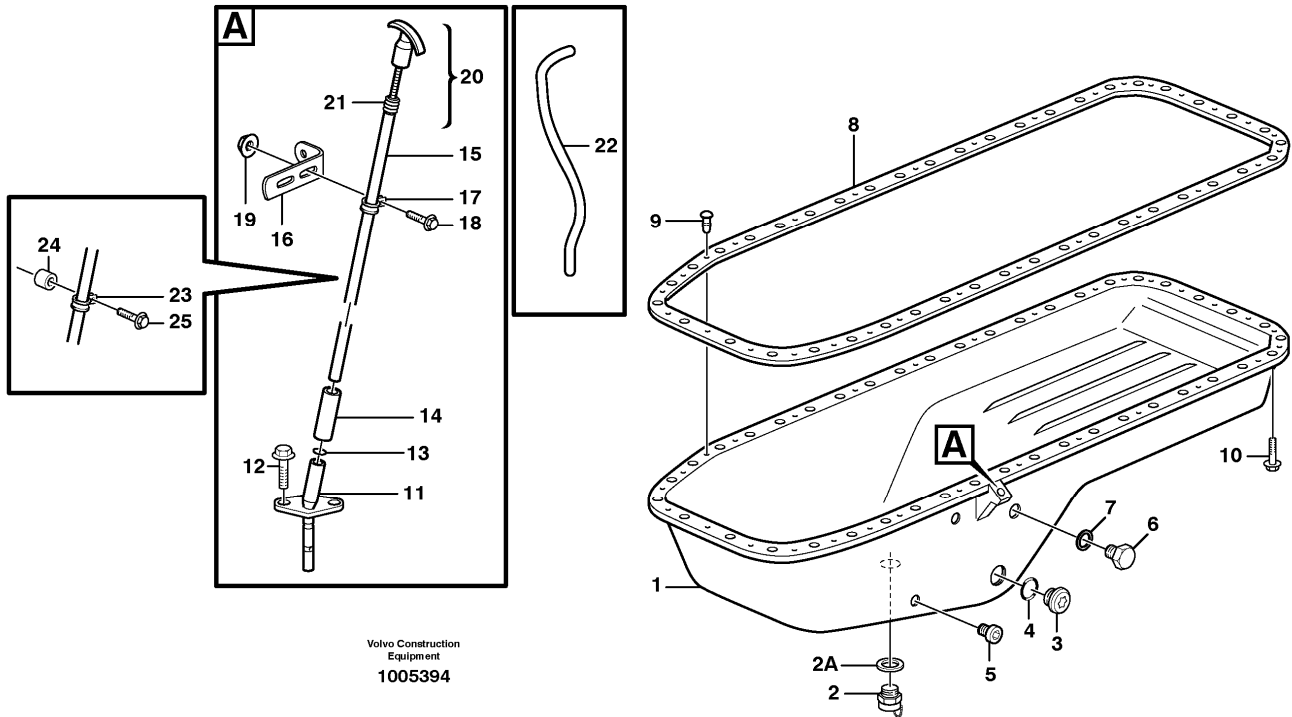
Section option	Kit	Option description
VOE8277120		Basic Machine EC460B
VOE8278900		Engine with Epa label EMISSION CERTIFICATED FROM EPA
VOE8278901		Engine with Eu label EMISSION CERTIFICATED FROM EU
VOE8278902		Engine without Epa label INT AND KOREAN MARKET

Q1-Q5	Option	Option description	
Q1 8277120 S/N -10311	VOE8277120	Basic Machine EC460B	
Q2 8278900 S/N 10312-	VOE8278900	Engine with Epa label EMISSION CERTIFICATED FROM EPA	
Q3 8278901 S/N 10312-	VOE8278901	Engine with Eu label EMISSION CERTIFICATED FROM EU	
Q4 8278902 S/N 10312-	VOE8278902	Engine without Epa label INT AND KOREAN MARKET	

Pos	Part	Q1	Q2	Q3	Q4	Q5	PS	Kit	Description	Option(s)	Remark
-----	------	----	----	----	----	----	----	-----	-------------	-----------	--------

	VOE11030273	1	1	1	1				Flywheel housing		
1	VOE11030245	1	1	1	1		OP		•Flywheel housing		
2	VOE1543896	1	1	1	1				•Sealing ring		
3	VOE11030271	1	1	1	1				•Oil deflector ring		
4	VOE13905650	4	4	4	4				•Drive screw		
5	VOE11127351	1	1	1	1				Cover		ENG - 246684
	VOE849135	1	1	1	1		OP		Cover		ENG 246685 -
6	VOE946502	3	3	3	3				Flange screw		
7	VOE11031785	1	1	1	1				Plug		
8	VOE421158	1	1	1	1				Sealing ring		
9	VOE11031769	1	1	1	1				Lock washer		
10	VOE13966378	2	2	2	2				Flange screw		
11	VOE467367	2	2	2	2				Plug		
12	VOE1556907	2	2	2	2				Gasket		
13	VOE11127387	1	1	1	1				Plug		
14	VOE13949656	1	1	1	1				O-ring		
15	VOE11127388	1	1	1	1				Lock plate		
16	VOE13966378	1	1	1	1				Flange screw		
17	VOE1161277	REQ	REQ	REQ	REQ				Sealant		20 Gram
	VOE11713514	REQ	REQ	REQ	REQ				Sealant		(VOE1161231)304 ML
18	VOE13966364	8	8	8	8				Flange screw		L = 70 MM
	VOE13966366	2	2	2	2				Flange screw		L = 90 MM
	VOE13966371	1	1	1	1				Flange screw		L = 140 MM

Date: 2014/1/21	Image id: 1005394	Catalogue: 56136	Model: EC460B LC
Brand: Volvo	Serial: 10001-11514	Group/Section: 217/100	Title: Oil sump



Section option	Kit	Option description
VOE8277120		Basic Machine EC460B
VOE8278900		Engine with Epa label EMISSION CERTIFICATED FROM EPA
VOE8278901		Engine with Eu label EMISSION CERTIFICATED FROM EU
VOE8278902		Engine without Epa label INT AND KOREAN MARKET

Q1-Q5	Option	Option description	
Q1 8277120 S/N -10311	VOE8277120	Basic Machine EC460B	
Q2 8278900 S/N 10312-	VOE8278900	Engine with Epa label EMISSION CERTIFICATED FROM EPA	
Q3 8278901 S/N 10312-	VOE8278901	Engine with Eu label EMISSION CERTIFICATED FROM EU	
Q4 8278902 S/N 10312-	VOE8278902	Engine without Epa label INT AND KOREAN MARKET	

Pos	Part	Q1	Q2	Q3	Q4	Q5	PS	Kit	Description	Option(s)	Remark
1	VOE11127604	1	1	1	1				Oil pan		
2	VOE11127360	1	1	1	1		SS		Valve		ENG S/N -254767
	VOE11127648	1	1	1	1		SS		Valve		(VOE11127360)ENG S/

Thank you so much for reading.
Please click the “Buy Now!”
button below to download the
complete manual.



After you pay.

You can download the most
perfect and complete manual in
the world immediately.

Our support email:

ebooklibonline@outlook.com