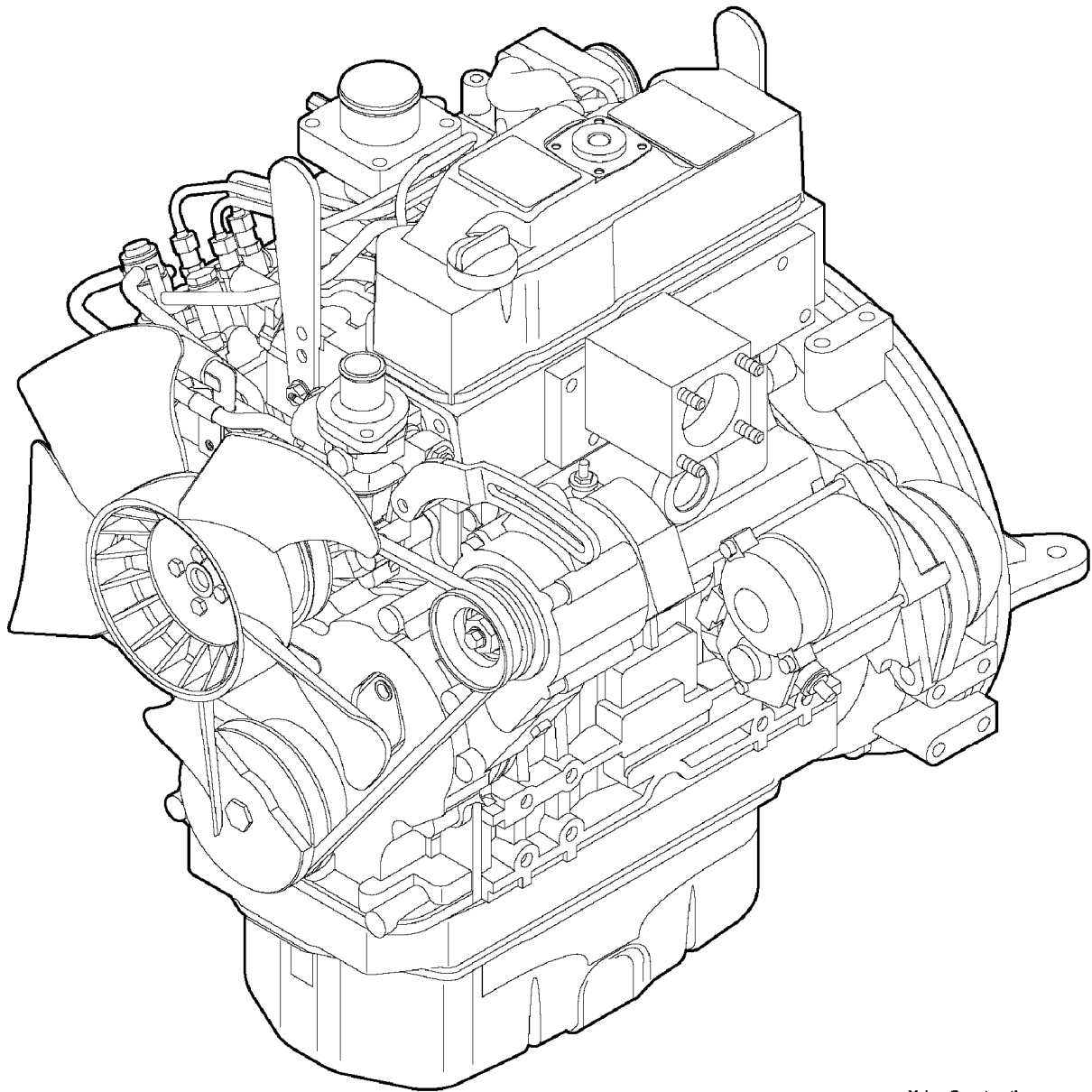


Date: 2013/12/16	Image id: 1010529	Catalogue: 20048	Model: ECR38
Brand: Volvo	Serial: 60210151-602999 99	Group/Section: 210/100	Title: Equipped engine

1



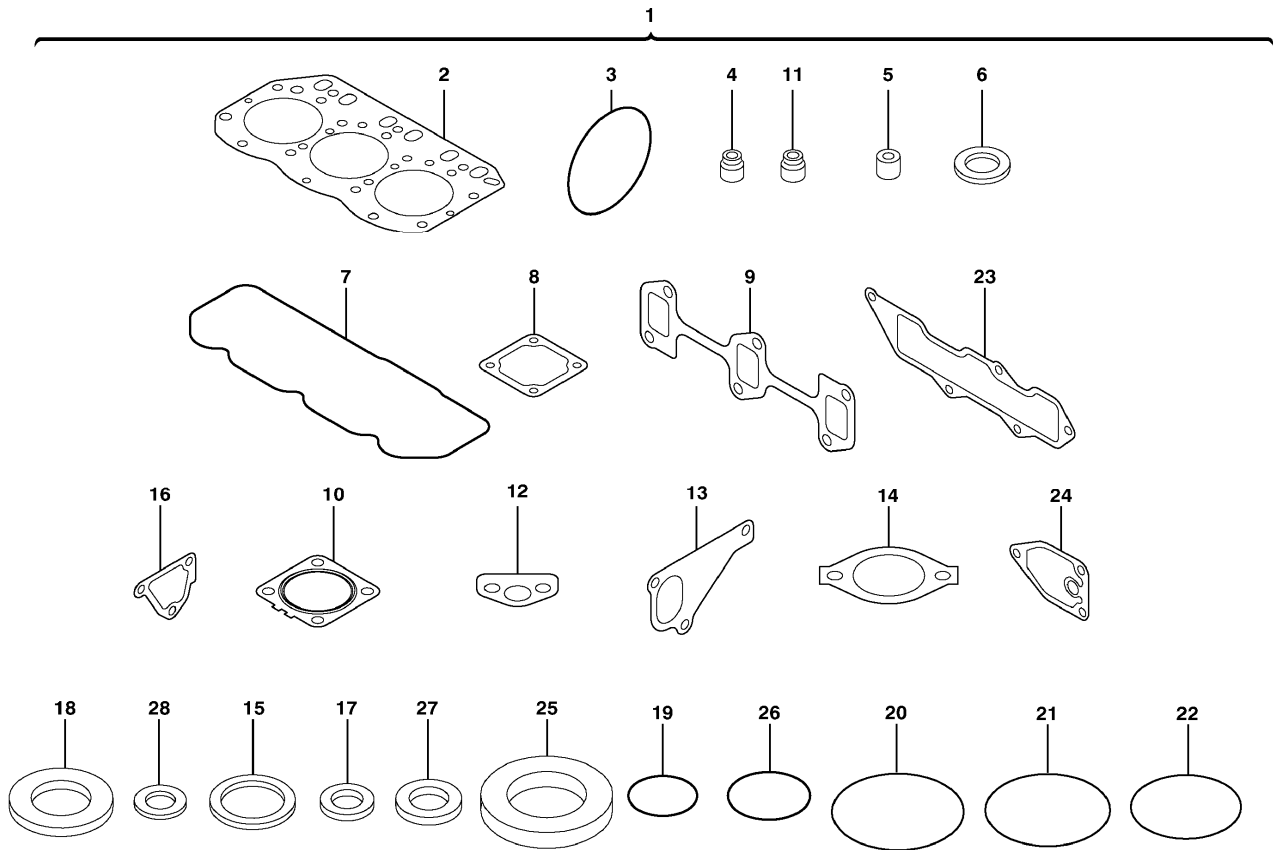
Volvo Construction
Equipment
1010529

Q1-Q5	Option	Option description	
-------	--------	--------------------	--

Q1 602.10151			
Q2 15602421	VOE15602421	Engine	

Pos	Part	Q1	Q2	Q3	Q4	Q5	PS	Kit	Description	Option(s)	Remark
1	VOE11801176	1							Engine		
1	VOE15602421		1						Engine		

Date: 2013/12/16	Image id: 1012493	Catalogue: 20048	Model: ECR38
Brand: Volvo	Serial: 60210151-602999 99	Group/Section: 210/500	Title: Engine gasket kit



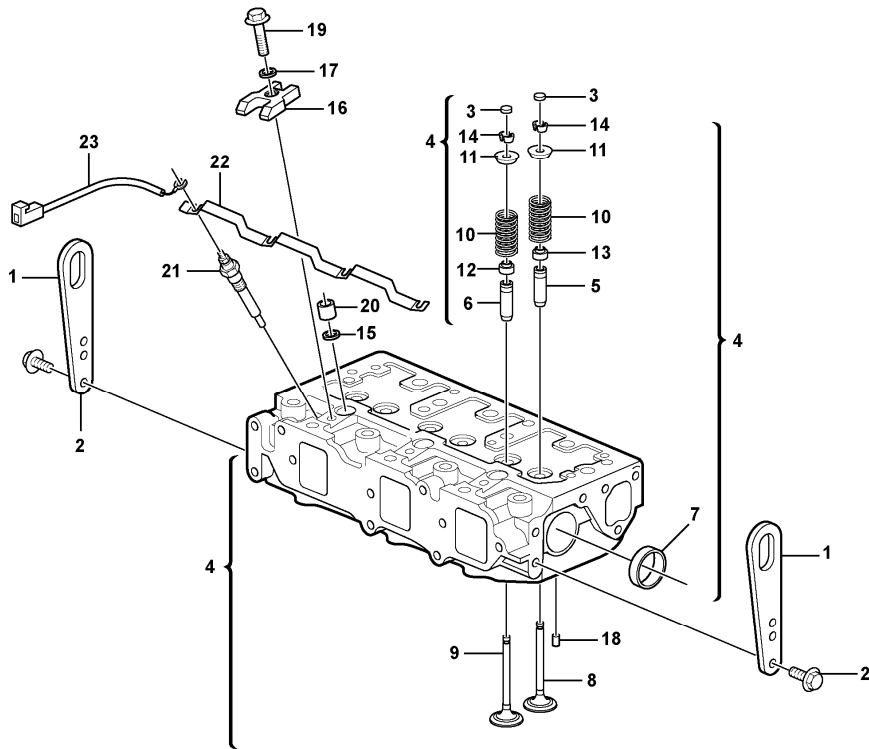
Volvo Construction
Equipment
1012493

Q1-Q5	Option	Option description	
Q1 602.10151			
Q2 15602421	VOE15602421	Engine	

Pos	Part	Q1	Q2	Q3	Q4	Q5	PS	Kit	Description	Option(s)	Remark
1	VOE11713774	1							Gasket kit		
1	VOE15079353		1						Gasket kit		
2	VOE11713589	1	1						•Cylinder head gasket		
3	VOE11713305	1	1						•O-ring		
4	VOE11713652	3	3						•Sealing		
5	VOE14521532	3	3						•Protection		
6	SA8210-01990	3							•Seat		

6	VOE11714381		3						•Seat		
7	VOE11713665	1	1						•Gasket		
8	VOE11713674	1	1						•Gasket		
9	VOE11713676	1	1						•Gasket		
10	VOE11713677	1	1						•Gasket		
11	VOE11713651	3	3						•Sealing		
12	VOE11713704	1	1						•Gasket		
13	VOE11713729	1	1						•Gasket		
14	VOE11713744	1	1						•Gasket		
15	VOE11713743	1	1						•Gasket		
16	VOE11713733	1	1						•Gasket		
17	VOE11714476	2	2						•Sealing washer		(SA8240-01020)
18	VOE11714478	2	2						•Gasket		(SA8210-03370)
19	VOE11714386	3	3						•O-ring		(SA8210-08870)
20	VOE11714371	2	2						•O-ring		(SA8210-08880)
21	VOE11713626	1	1						•O-ring		
22	VOE11713732	1	1						•O-ring		
23	VOE11713671	1	1						•Gasket		
24	VOE11713703	1	1						•Gasket		
25	VOE11713639	1	1						•Sealing		
26	VOE11713621	4	2						•O-ring		
27	VOE11713708	2	2						•Sealing		
28	VOE11714477	1	1						•Gasket		(SA8210-05580)

Date: 2013/12/16	Image id: 1034829	Catalogue: 20048	Model: ECR38
Brand: Volvo	Serial: 60210151-602999 99	Group/Section: 211/100	Title: Cylinder head



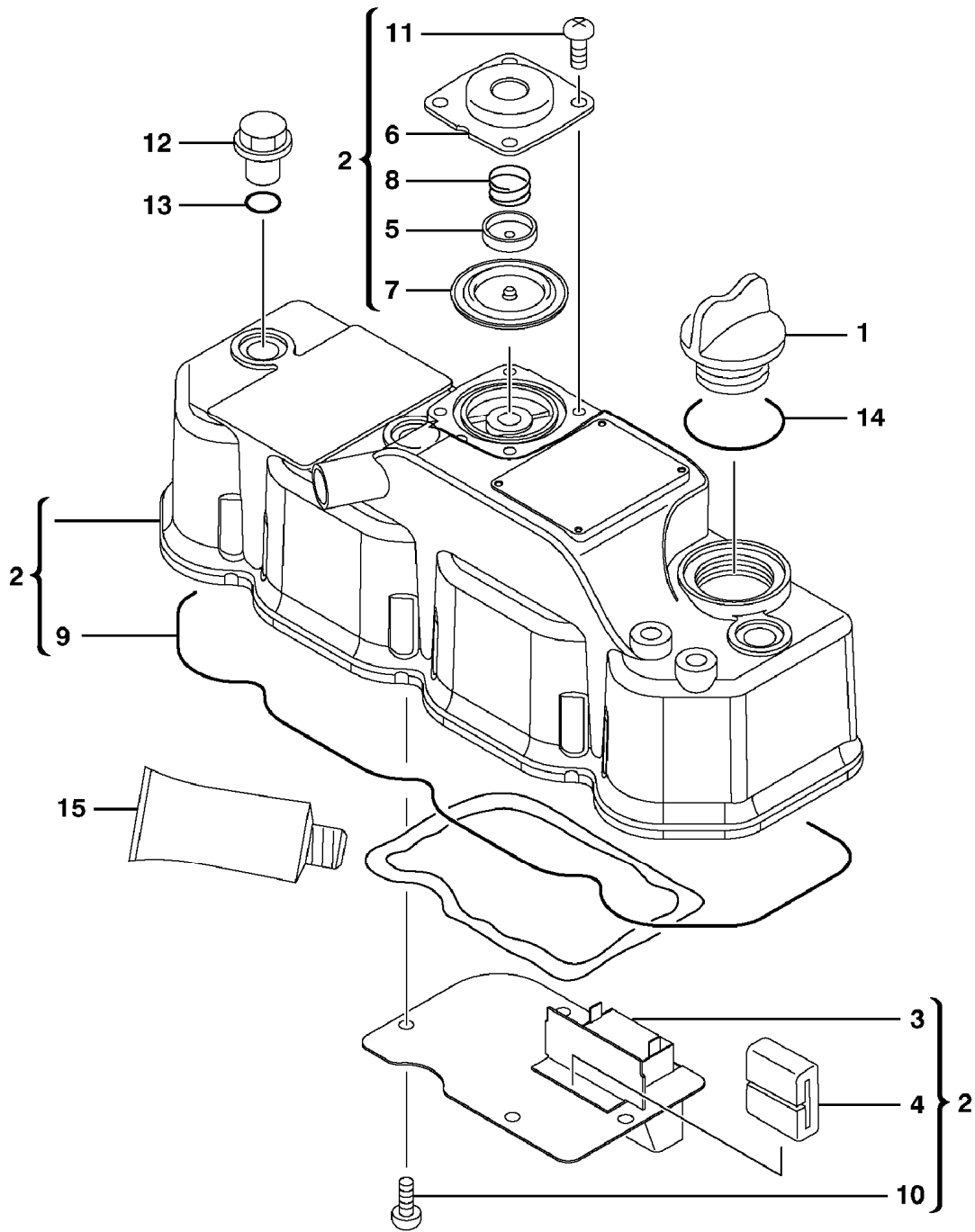
Volvo Construction
Equipment
1034829

Q1-Q5	Option	Option description	
Q1 602.10151			
Q2 15602421	VOE15602421	Engine	

Pos	Part	Q1	Q2	Q3	Q4	Q5	PS	Kit	Description	Option(s)	Remark
1	VOE11714378	2	2						Lifting bracket		(SA8210-04400)
2	VOE14525410	4							Bolt		
2	VOE11714372		4						Bolt		
3	VOE11713647	6	6						Cap		
4	VOE11713648	1							Cylinder head		
4	VOE15079667		1						Cylinder head		
5		3					NS		•Giude		
6		3					NS		•Giude		
7		2					NS		•Plug		
7	VOE11714379		2						•Plug		

8	VOE11713649	3							•Valve		
8	VOE11714709		3						•Valve		
9	VOE11713650	3							•Valve		
9	VOE15079319		3						•Exhaust valve		
10		6					NS		•Spring		
10	VOE11714711		6						•Valve spring		
11		6					NS		•Plug		
11	VOE11714712		6						•Spring retainer		
12	VOE11713651	3	3						•Sealing		
13	VOE11713652	3	3						•Sealing		
14	VOE11713654	6	6						•Valve sleeve		
15	SA8210-08770	3					SS		Seat		
15	VOE11714381		3						Seat		
16	VOE11713653	3	3						Retainer		
17	VOE11713655	3	3						Washer		
18	VOE11714387	2	2						Spring pin		(SA8240-01340)
19	VOE11714281	3							Flange screw		(VOE14525394)
19	VOE11714281		3						Flange screw		
20	VOE14521532	3	3						Protection		
21	VOE15079818		3						Glow plug		
22	VOE15080426		1						Connector		
23	VOE15079816		1						Wire		

Date: 2013/12/16	Image id: 1012495	Catalogue: 20048	Model: ECR38
Brand: Volvo	Serial: 60210151-602999 99	Group/Section: 211/200	Title: Valve cover



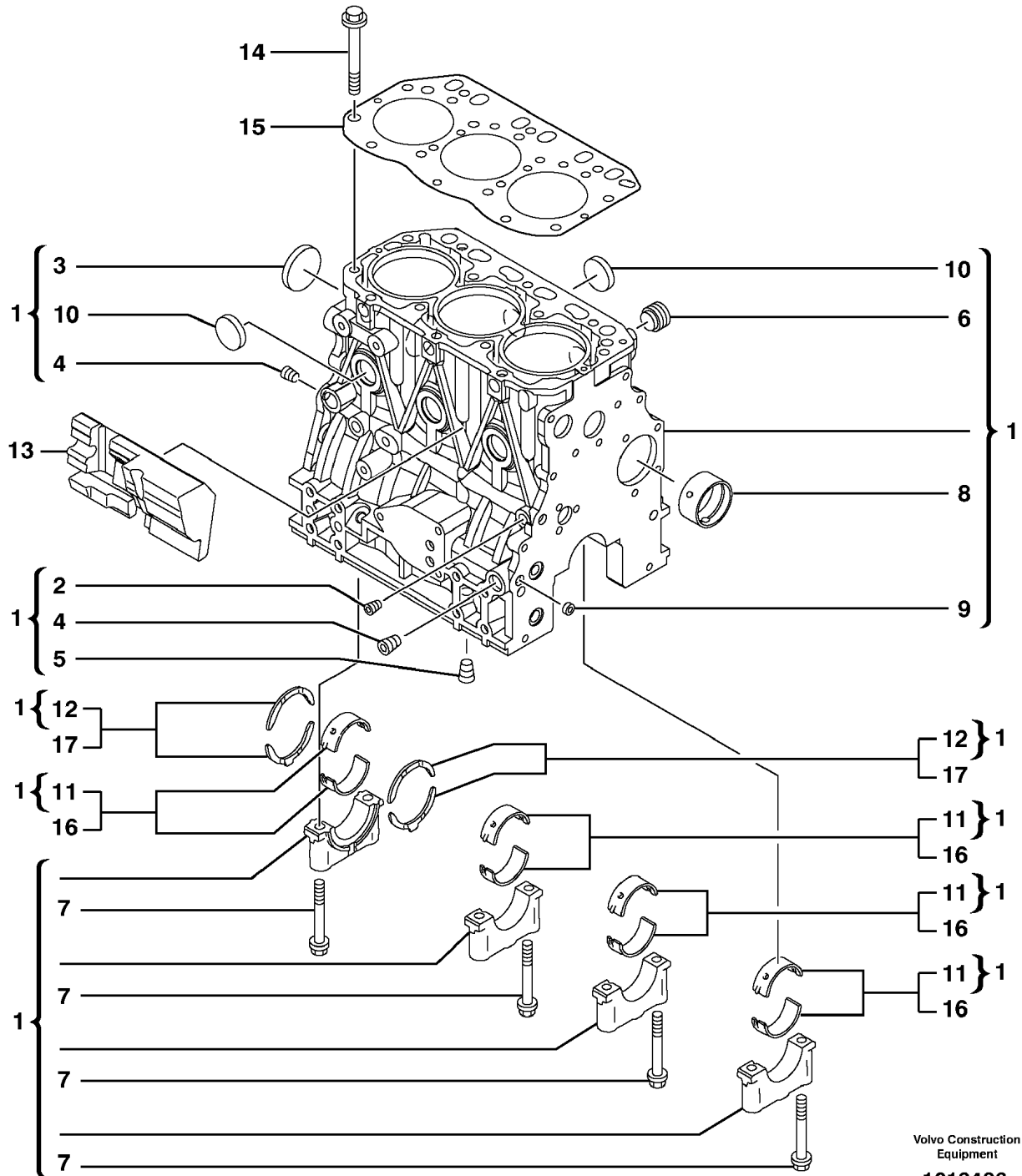
Volvo Construction
Equipment
1012495

Q1-Q5	Option	Option description	
Q1 602.10151			

Q2 15602421	VOE15602421	Engine	
-------------	-------------	--------	--

Pos	Part	Q1	Q2	Q3	Q4	Q5	PS	Kit	Description	Option(s)	Remark
1	VOE11714383	1	1						Cap		(SA8210-03240)
2	VOE11713656	1	1						Valve cover		
3	VOE11713657	1	1						•Plate		
4	VOE11713658	1	1						•Baffle		
5	VOE11713659	1	1						•Plate		
6	VOE11713660	1							•Cover		
6	VOE11714718		1						•Cover		
7	VOE11713661	1	1						•Diaphragm		
8	VOE11713662	1							•Spring		
8	VOE11714719		1						•Spring		
9	VOE11713665	1	1						•Gasket		
10	SA8210-08850	4							•Screw		
10	VOE11714720		4						•Screw		
11	SA8210-08850	4							•Screw		
11	VOE11714720		4						•Screw		
12	VOE11714385	3	3						Flange cap nut		(SA8210-03250)
13	VOE11714386	3	3						O-ring		(SA8210-08870)
14	VOE11714371	1	1						O-ring		(SA8210-08880)
15	VOE14543857	1							Gasket		(SA8240-02760)

Date: 2013/12/16	Image id: 1012496	Catalogue: 20048	Model: ECR38
Brand: Volvo	Serial: 60210151-602999 99	Group/Section: 212/100	Title: Cylinder block

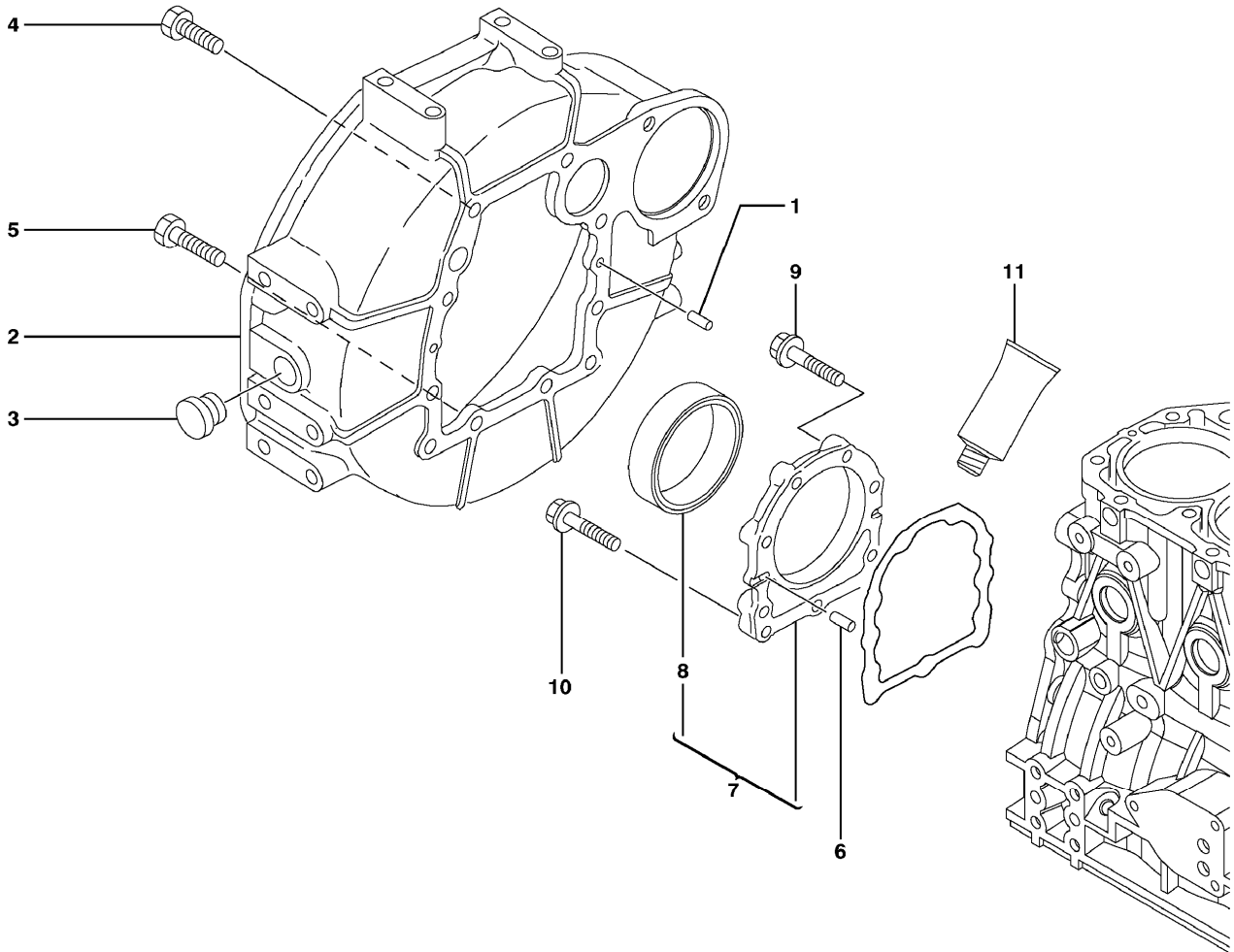


Q1-Q5	Option	Option description	
-------	--------	--------------------	--

Q1 602.10151			
Q2 15602421	VOE15602421	Engine	

Pos	Part	Q1	Q2	Q3	Q4	Q5	PS	Kit	Description	Option(s)	Remark
1	VOE11713558	1	1						Cylinder block		
2	VOE11713317	1	1						•Plug		
3	VOE11713559	1	1						•Plug		
4	VOE11713320	2	2						•Plug		
5	VOE11713320	1	1						•Plug		
6	VOE11713560	1	1						•Plug		
7	VOE11713561	8	8						•Bolt		
8	VOE11713562	1							•Camshaft bushing		
8			1				NS		Bushing		
9	VOE11713329	2	2						•Plug		
10	VOE11714369	6	6						•Plug		(SA8210-06750)
11	VOE15082457	4							•Bearing kit		(VOE11713570)STD SZ
11			4				NS		•Bearing Bushing		STD SZ
12	VOE11713573	2							•Thrust bearing		STD SZ
12			2				NS		•Thrust Bearing		
13	VOE11713587	1	1						Spacer		
14	VOE11713588	14	14						Flange screw		
15	VOE11713589	1	1						Cylinder head gasket		
16	VOE11713590	4							Main bearing shell		0,25mm/0.0098in
16			4				NS		Bearing Bushing		0,25mm/0.0098in
17	VOE11713591	1							Thrust bearing		0,25mm/0.0098in
17			1				NS		Thrust Bearing		0,25mm/0.0098in

Date: 2013/12/16	Image id: 1012497	Catalogue: 20048	Model: ECR38
Brand: Volvo	Serial: 60210151-602999 99	Group/Section: 212/500	Title: Flywheel housing



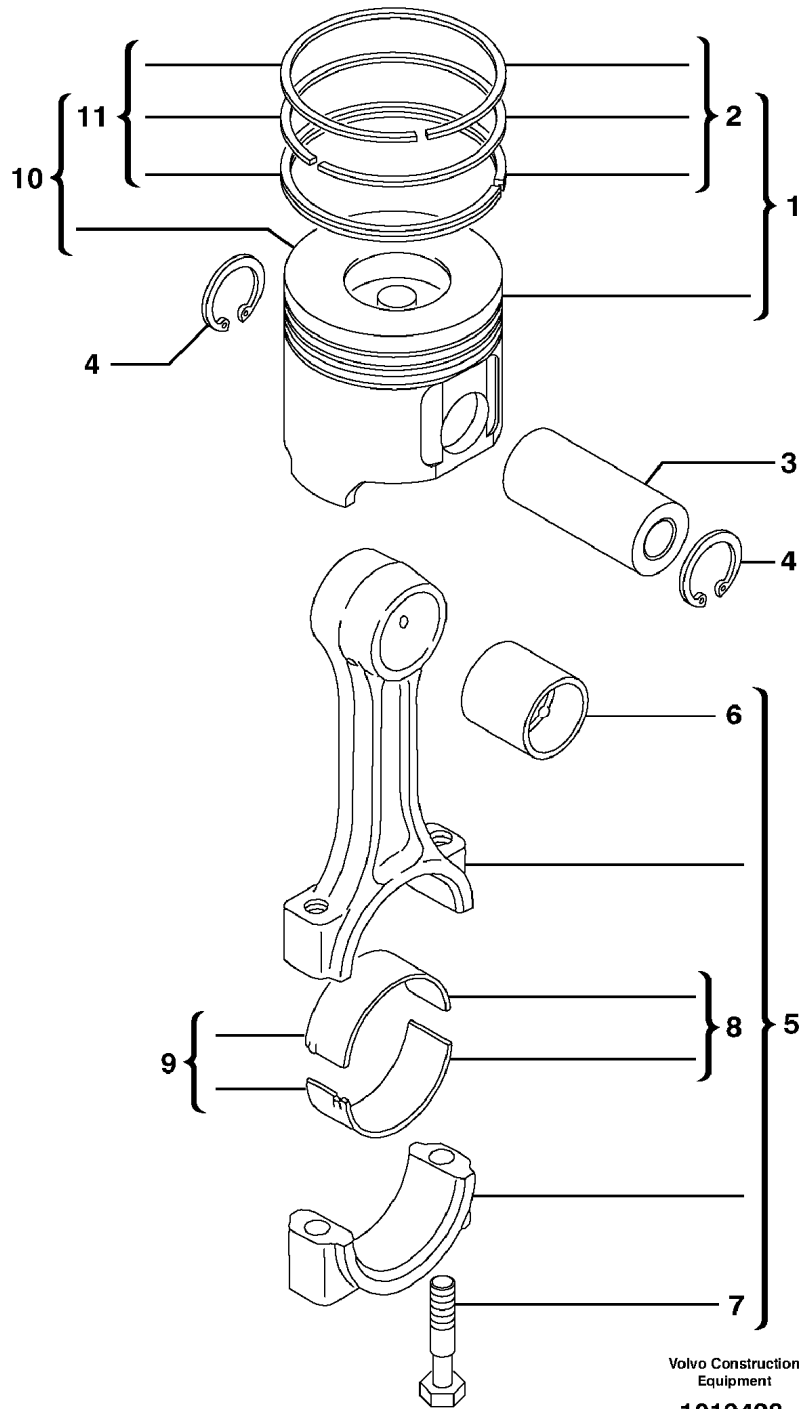
Volvo Construction
Equipment
1012497

Q1-Q5	Option	Option description	
Q1 602.10151			
Q2 15602421	VOE15602421	Engine	

Pos	Part	Q1	Q2	Q3	Q4	Q5	PS	Kit	Description	Option(s)	Remark
1	VOE11714376	2	2						Pin		(SA8210-03530)
2	VOE11713633	1	1						Housing		
3	VOE11713372	1	1						Cap		
4	VOE11713373	6	6						Bolt		
5	VOE11713634	4	4						Bolt		
6	VOE11714376	2	2						Pin		(SA8210-03530)

7	VOE11713641	1							Spacer		
7	VOE11714282		1						Cover		
8	VOE11713642	1							•Sealing		
8	VOE11714283		1						•Sealing ring		
9	VOE11713643	6	6						Bolt		
10	VOE11714281	3	3						Flange screw		(VOE14525394)
11	VOE14543857	1							Gasket		(SA8240-02760)

Date: 2013/12/16	Image id: 1012498	Catalogue: 20048	Model: ECR38
Brand: Volvo	Serial: 60210151-602999 99	Group/Section: 213/100	Title: Connecting rod and piston



Volvo Construction
Equipment

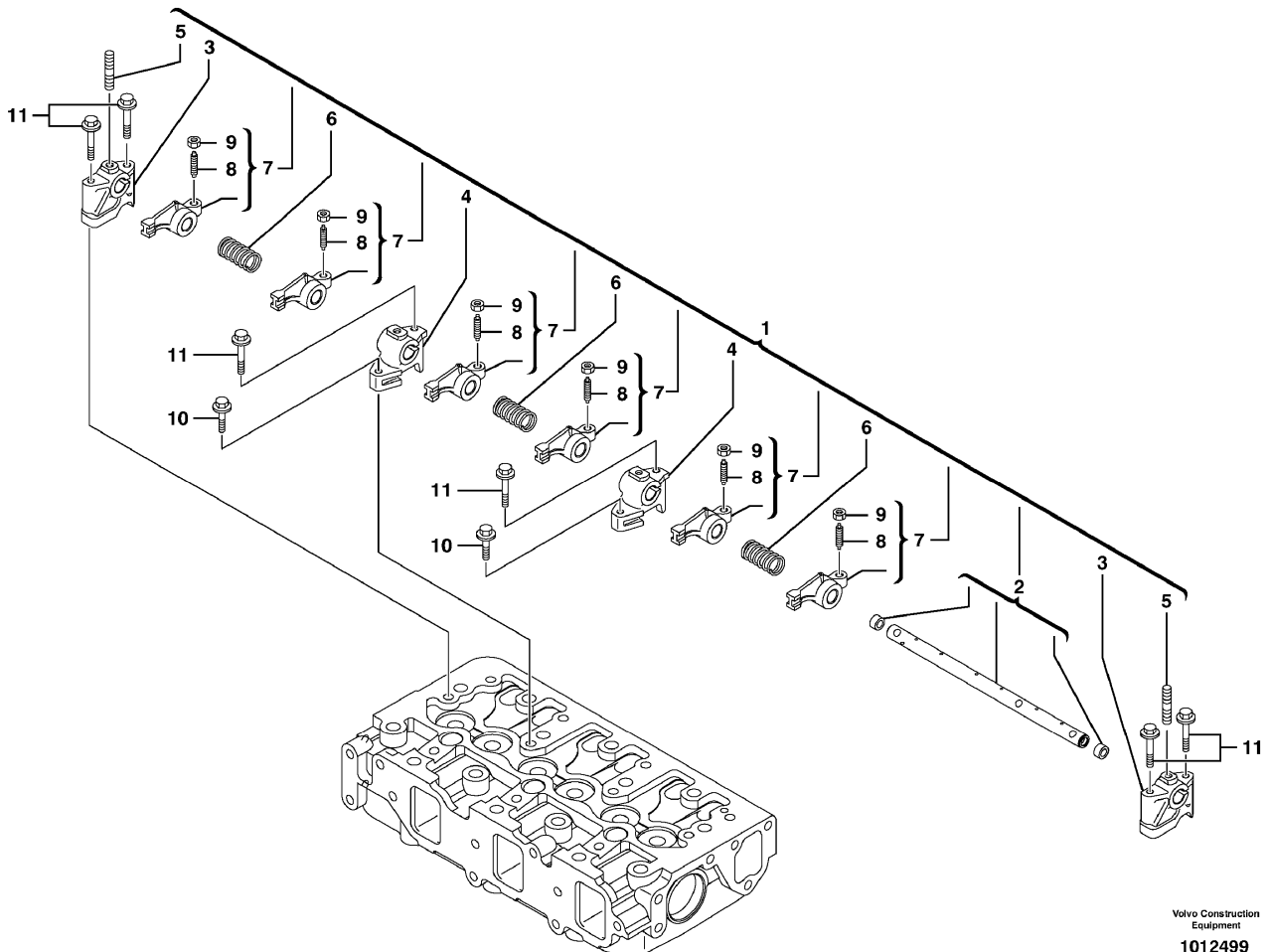
1012498

Q1-Q5	Option	Option description	
-------	--------	--------------------	--

Q1 602.10151			
Q2 15602421	VOE15602421	Engine	

Pos	Part	Q1	Q2	Q3	Q4	Q5	PS	Kit	Description	Option(s)	Remark
1	VOE11713692	3	3						Piston		
2	VOE11713693	3	3						•Compression ring		STD SZ
3	VOE11713694	3	3						Pin		
4	VOE11713695	6	6						Retaining ring		
5	VOE11713696	3	3						Connecting rod		
6		3	3				NS		•Bushing		ORDER ITEM NO 5
7	VOE11713697	6	6						•Bolt		
8	VOE11713698	3							•Bearing		STD SZ
8			3				NS		Bearing		
9	VOE11713699	3							Bearing		0,25mm/0.0098in
9			3				NS		Bearing		
10	VOE11713700	3	3						Piston		0,25mm/0.0098in
11	VOE11713701	3	3						•Compression ring		0,25mm/0.0098in

Date: 2013/12/16	Image id: 1012499	Catalogue: 20048	Model: ECR38
Brand: Volvo	Serial: 60210151-602999 99	Group/Section: 214/100	Title: Rocker arm

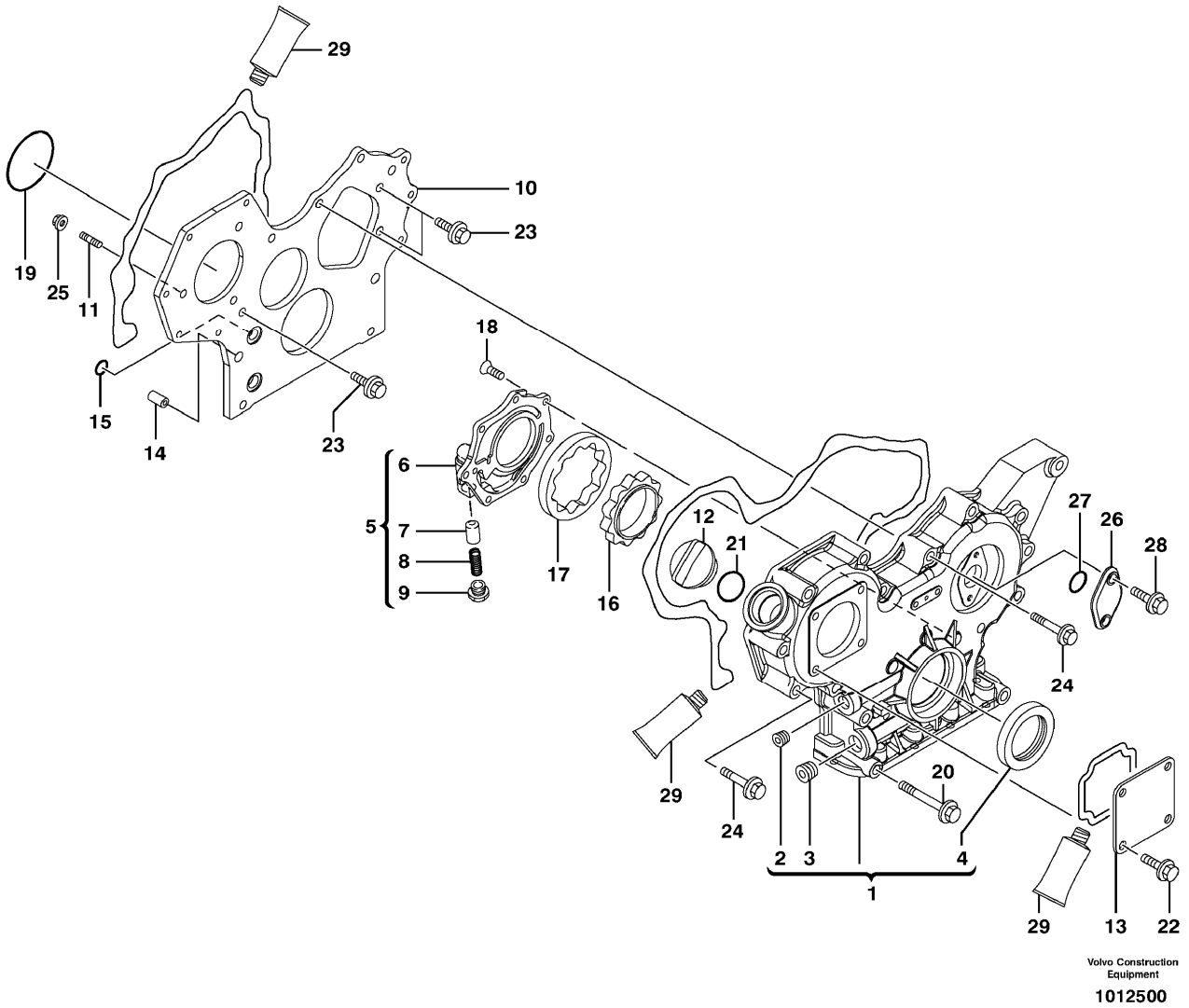


Q1-Q5	Option	Option description	
Q1 602.10151			
Q2 15602421	VOE15602421	Engine	

Pos	Part	Q1	Q2	Q3	Q4	Q5	PS	Kit	Description	Option(s)	Remark
1	VOE11713644	1	1						Rocker arm kit		
2		1					NS		•Rocker Arm Shaft		ORDER ITEM NO 1
2	VOE15079328		1						•Rocker arm shaft		
3		2					NS		•Support		ORDER ITEM NO 1
3	VOE11714714		2						•Support		
4		2					NS		•Support		ORDER ITEM NO 1
4	VOE11714715		2						•Support		
5	VOE11713645	3							•Stud		

5	VOE15079322		3						•Stud		
6		3					NS		•Spring		ORDER ITEM NO 1
6	VOE11714716		3						•Spring		
7	VOE11713646	6	6						•Rocker arm		
8		6					NS		••Screw		ORDER ITEM NO 7
8	SA8210-03660		6						••Screw		
9		6					NS		••Nut		ORDER ITEM NO 7
9	VOE11714380		6						••Nut		
10	VOE11713640	2	2						Bolt		
11	VOE11713374	6	6						Bolt		

Date: 2013/12/16	Image id: 1012500	Catalogue: 20048	Model: ECR38
Brand: Volvo	Serial: 60210151-602999 99	Group/Section: 215/100	Title: Timing gear casing

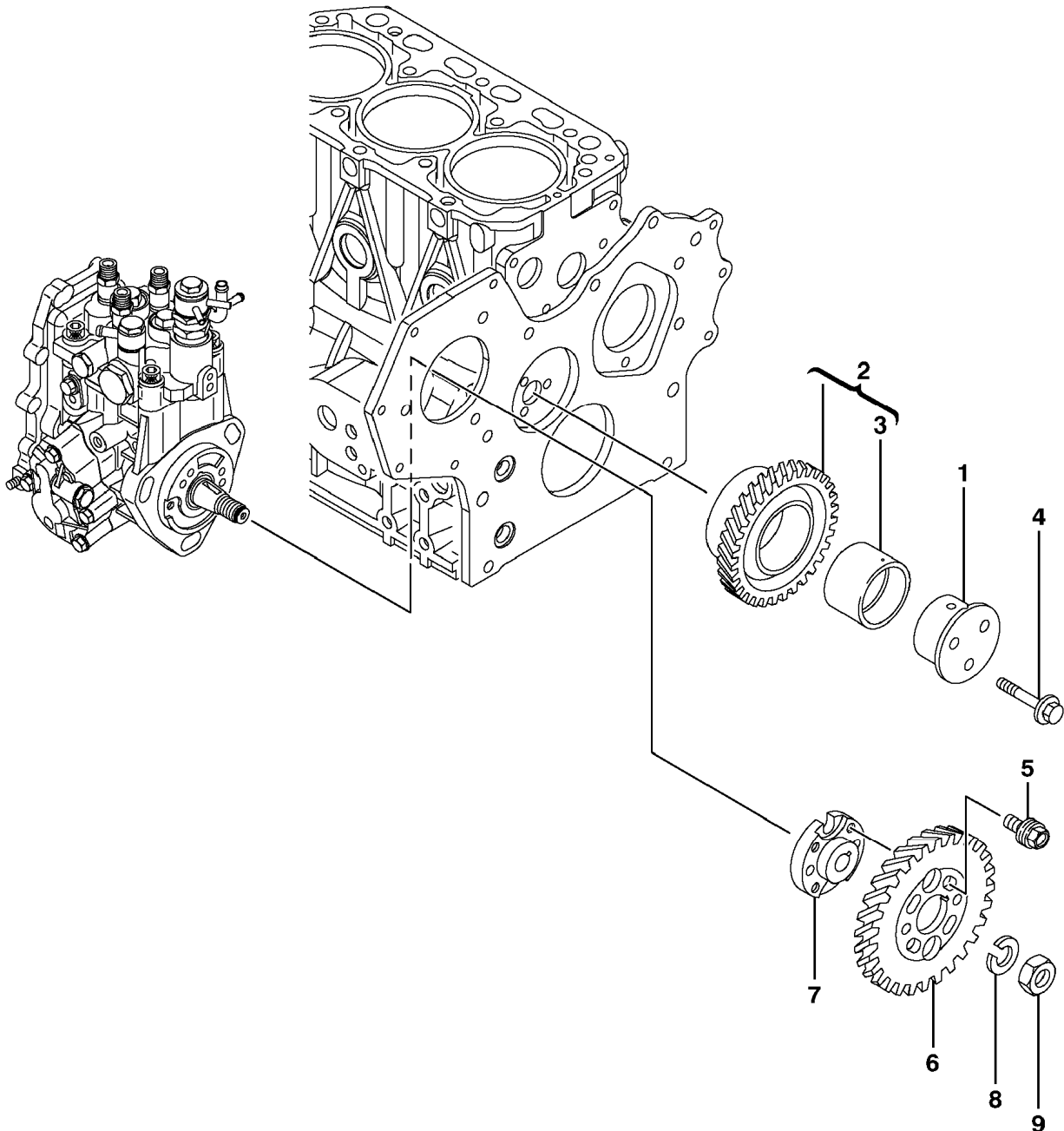


Q1-Q5	Option	Option description	
Q1 602.10151			
Q2 15602421	VOE15602421	Engine	

Pos	Part	Q1	Q2	Q3	Q4	Q5	PS	Kit	Description	Option(s)	Remark
1	VOE11713614	1							Timing gear casing		
1	VOE15079314		1						Case		
2	VOE14521504	1							•Plug		
3	VOE11713615	1							•Plug		
4	VOE11713616	1	1						•Sealing		

4			1				NS		•Seal		
5	VOE11713617	1							Oil pump		
6		1					NS		•Oil pump housing		ORDER ITEM NO 5
7	VOE11713349	1							•Valve		
8	VOE11713629	1							•Spring		
9	VOE11713351	1							•Plug		
10	VOE11713618	1							Timing gear casing		
10			1				NS		Timing gear casing		
11	VOE11713619	3							Stud		
11	VOE15079309		3						Ball pin		
12	VOE11714383	1	1						Cap		(SA8210-03240)
13	VOE11714370	1	1						Cover		(SA8210-03280)
14	VOE11713620	2	2						Pipe		
15	VOE11713621	4	2						O-ring		
16	VOE11713622	1							Oil pump wheel		
17	VOE11713623	1							Oil pump wheel		
18	VOE11713356	7							Screw		
19	VOE11713305	1	1						O-ring		
20	VOE11713624	3							Bolt		
20	VOE11714271		3						Flange screw		
21	VOE11714371	1	1						O-ring		(SA8210-08880)
22	VOE11714372	4	4						Bolt		(SA8240-01680)
23	VOE11714372	3	3						Bolt		(SA8240-01680)
24	VOE11714373	12	12						Bolt		(SA8240-01730)
25	VOE14521543	3	3						Nut		
26	VOE11713625	1							Cover		
26			1				NS		Cover		
27	VOE11713626	1	1						O-ring		
28	VOE11714374	2	2						Bolt		(SA8240-01600)
29	VOE14543857	1							Gasket		(SA8240-02760)

Date: 2013/12/16	Image id: 1012501	Catalogue: 20048	Model: ECR38
Brand: Volvo	Serial: 60210151-602999 99	Group/Section: 215/300	Title: Timing gear



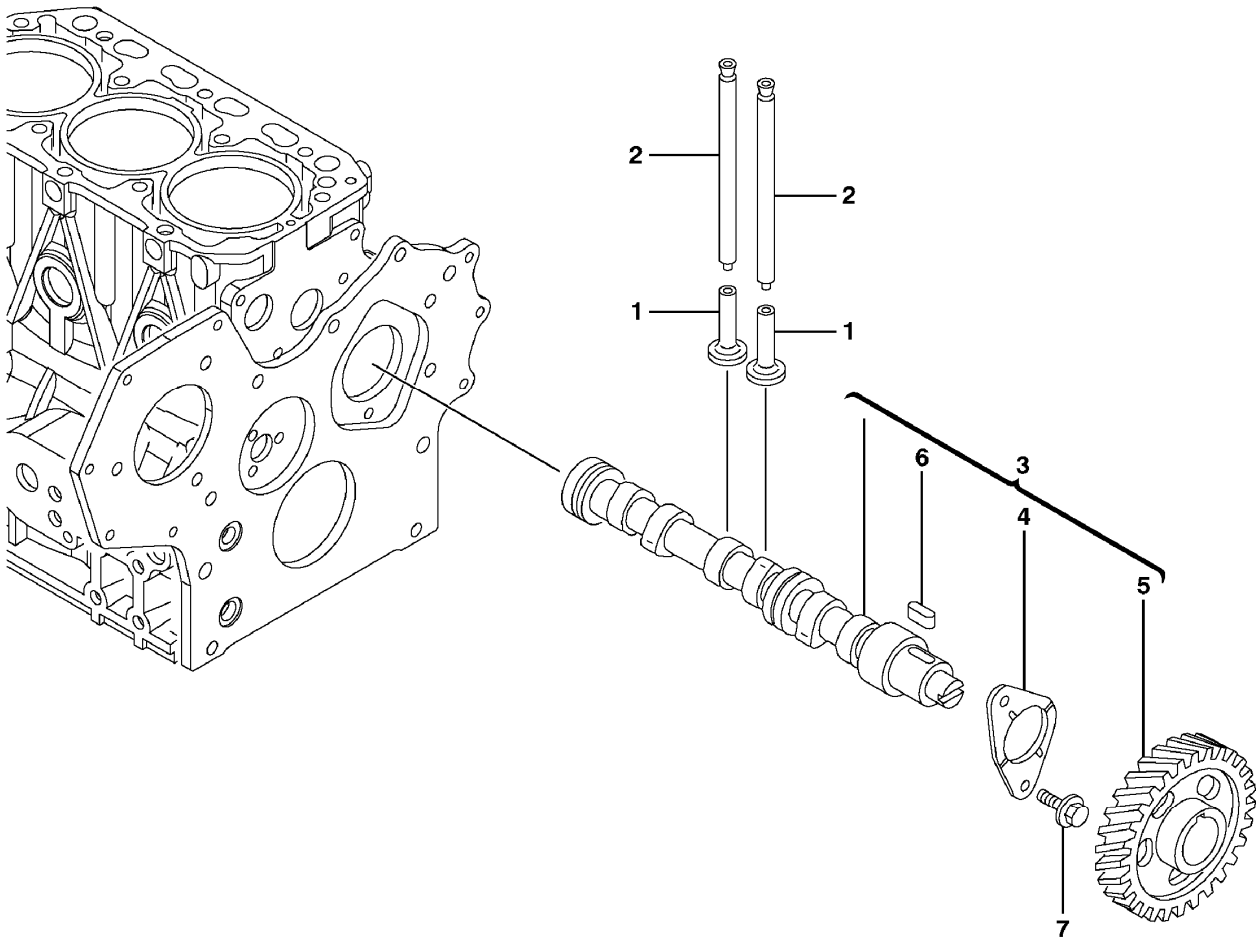
Volvo Construction
Equipment
1012501

Q1-Q5	Option	Option description
-------	--------	--------------------

Q1 602.10151			
Q2 15602421	VOE15602421	Engine	

Pos	Part	Q1	Q2	Q3	Q4	Q5	PS	Kit	Description	Option(s)	Remark
1	VOE11713680	1							Shaft		
1	VOE15079645		1						Shaft		
2	VOE11713681	1							Gear		
2	VOE15079637		1						Gear		
3		1					NS		•Bushing		ORDER ITEM NO 2
3	VOE15079646		1						Bushing		
4	VOE11714487	3	3						Bolt		(SA8240-01710)
5	VOE11713415	4	4						Bolt		
6	VOE11714338	1	1						Gear		
7		1					NS		Flange		
7	VOE11714339		1						Flange		
8		1					NS		Washer		
8	VOE11714345		1						Spring washer		
9		1					NS		Nut		
9	VOE11714347		1						Lock nut		

Date: 2013/12/16	Image id: 1012502	Catalogue: 20048	Model: ECR38
Brand: Volvo	Serial: 60210151-602999 99	Group/Section: 215/400	Title: Camshaft



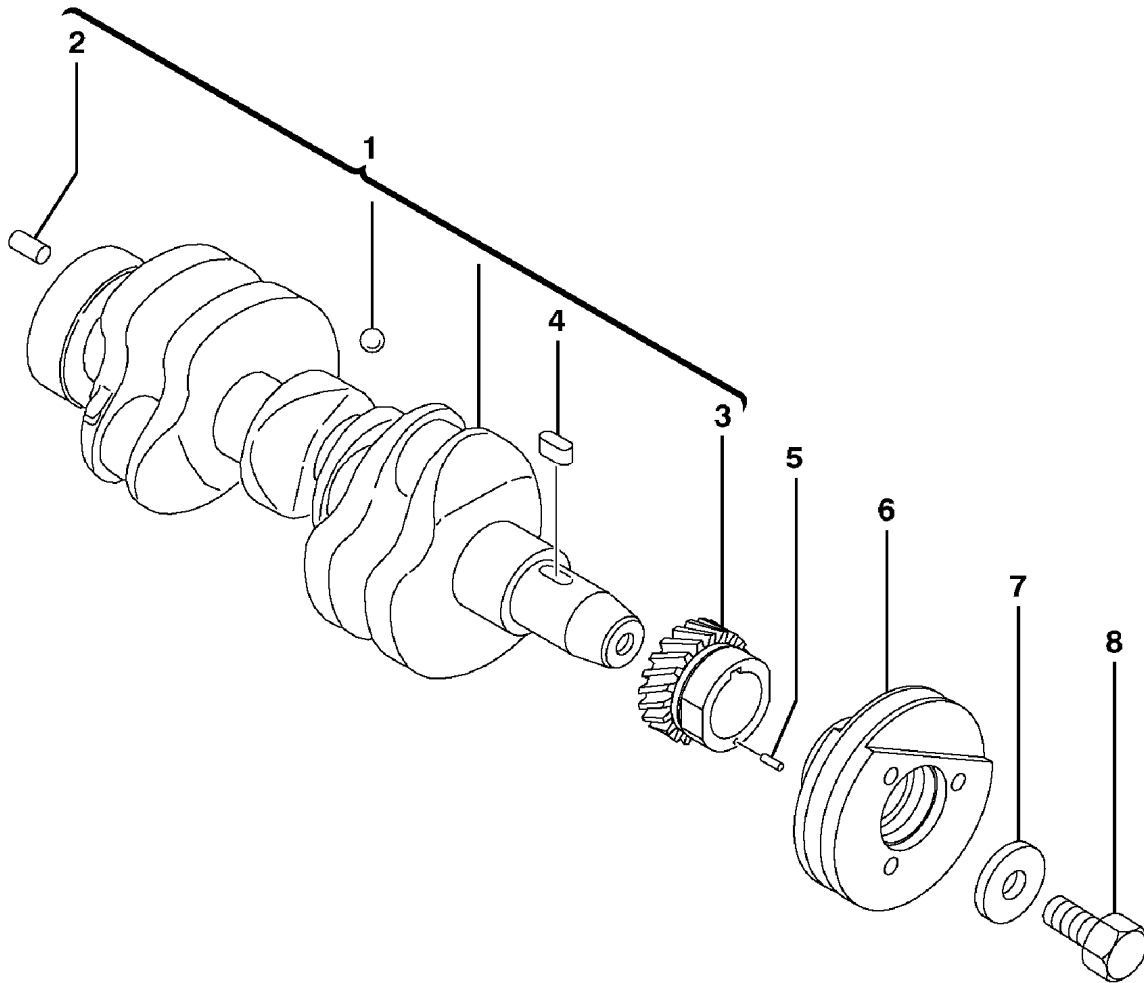
Volvo Construction
Equipment
1012502

Q1-Q5	Option	Option description	
Q1 602.10151			
Q2 15602421	VOE15602421	Engine	

Pos	Part	Q1	Q2	Q3	Q4	Q5	PS	Kit	Description	Option(s)	Remark
1	VOE11714485	6							Tappet		(VOE14500478)
1	VOE11714485		6						Tappet		

2	VOE11713678	6	6						Rod		
3	VOE11713679	1	1						Camshaft		
4		1					NS		•Bearing		ORDER ITEM NO 3
4	VOE11714486		1						•Thrust washer		
5		1					NS		•Gear		ORDER ITEM NO 3
5	VOE11714334		1				SS		•Camshaft gear		
6		1					NS		•Key		ORDER ITEM NO 3
6	VOE11714468		1						•Key		
7	VOE14525410	2	2						Bolt		

Date: 2013/12/16	Image id: 1012503	Catalogue: 20048	Model: ECR38
Brand: Volvo	Serial: 60210151-602999 99	Group/Section: 216/100	Title: Crankshaft



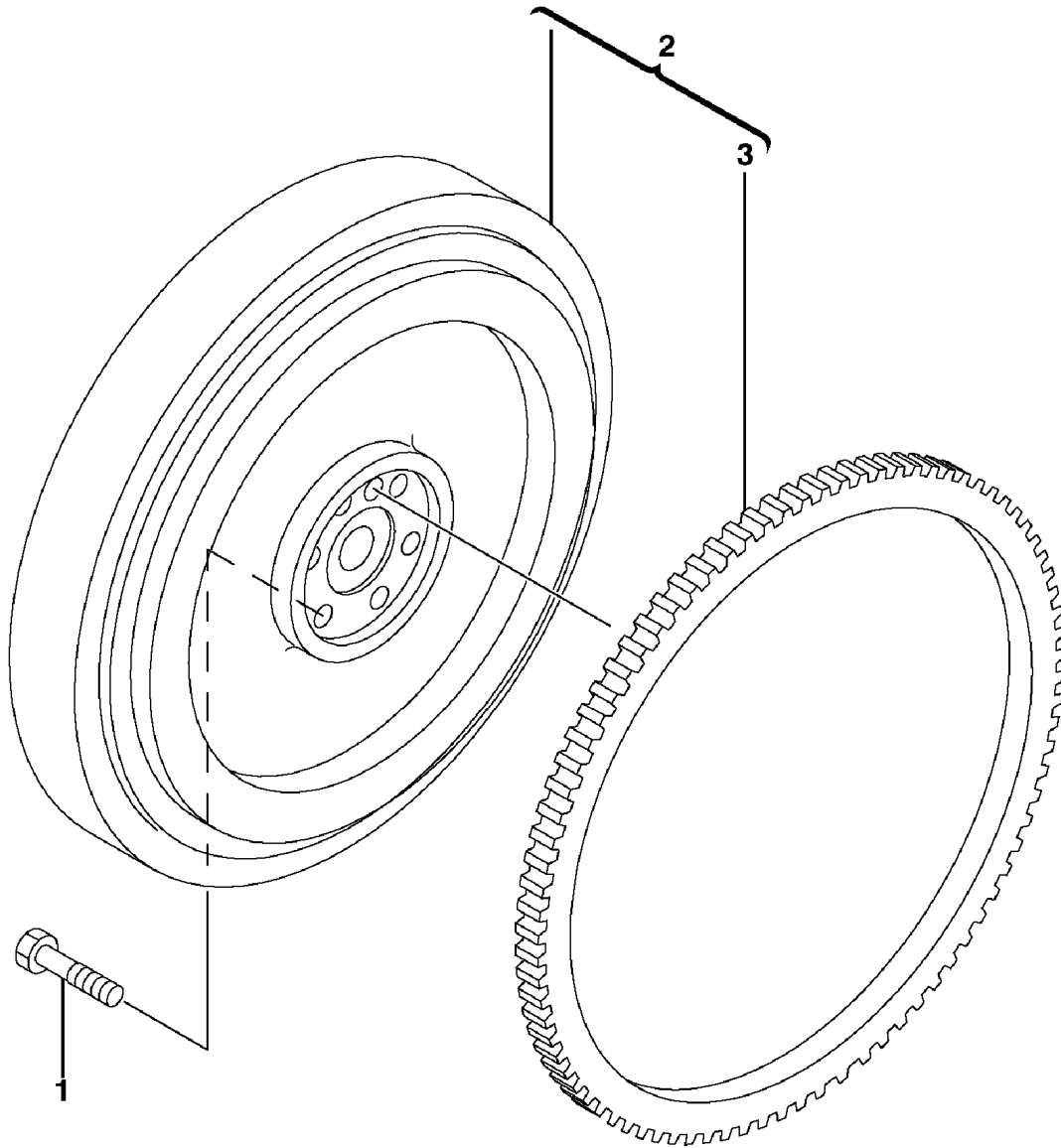
Volvo Construction
Equipment
1012503

Q1-Q5	Option	Option description	
-------	--------	--------------------	--

Q1 602.10151			
Q2 15602421	VOE15602421	Engine	

Pos	Part	Q1	Q2	Q3	Q4	Q5	PS	Kit	Description	Option(s)	Remark
1	VOE11713686	1							Crankshaft		
1	VOE15080430		1						Crankshaft		
2		1					NS		•Pin		ORDER ITEM NO 1
2	VOE11714376		1						•Pin		
3		1	1				NS		•Gear		ORDER ITEM NO 1
4		1					NS		•Key		ORDER ITEM NO 1
4	VOE11714468		1						•Key		
5	VOE11713687	1	1						Pin		
6	VOE11713688	1	1						Pulley		
7	VOE11713689	1	1						Washer		
8	VOE11713690	1	1						Bolt		

Date: 2013/12/16	Image id: 1012504	Catalogue: 20048	Model: ECR38
Brand: Volvo	Serial: 60210151-602999 99	Group/Section: 216/200	Title: Flywheel



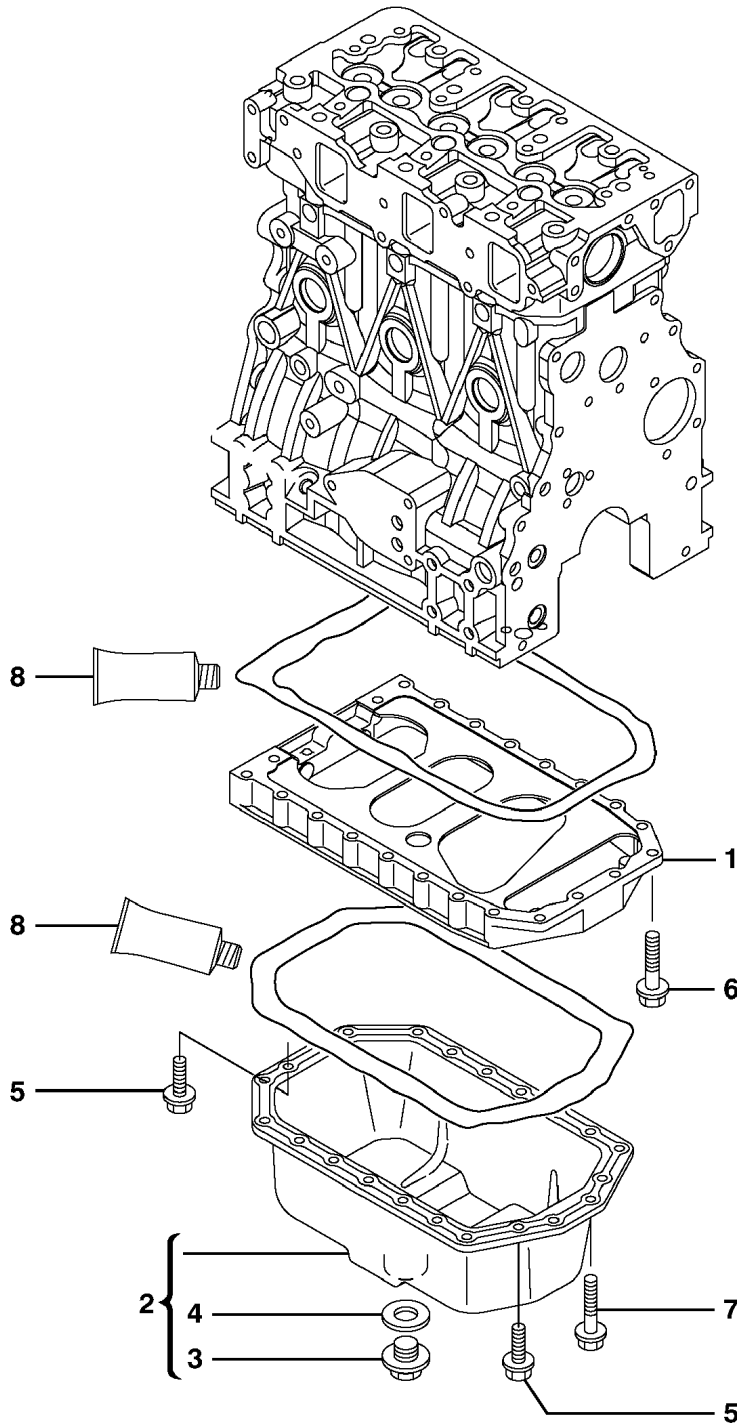
Volvo Construction
Equipment
1012504

Q1-Q5	Option	Option description	
-------	--------	--------------------	--

Q1 602.10151			
Q2 15602421	VOE15602421	Engine	

Pos	Part	Q1	Q2	Q3	Q4	Q5	PS	Kit	Description	Option(s)	Remark
1	VOE11713431	6	6						Bolt		
2	VOE11713691	1	1						Flywheel		
3	VOE11713419	1	1						•Starter gear ring		

Date: 2013/12/16	Image id: 1012505	Catalogue: 20048	Model: ECR38
Brand: Volvo	Serial: 60210151-602999 99	Group/Section: 217/100	Title: Oil sump



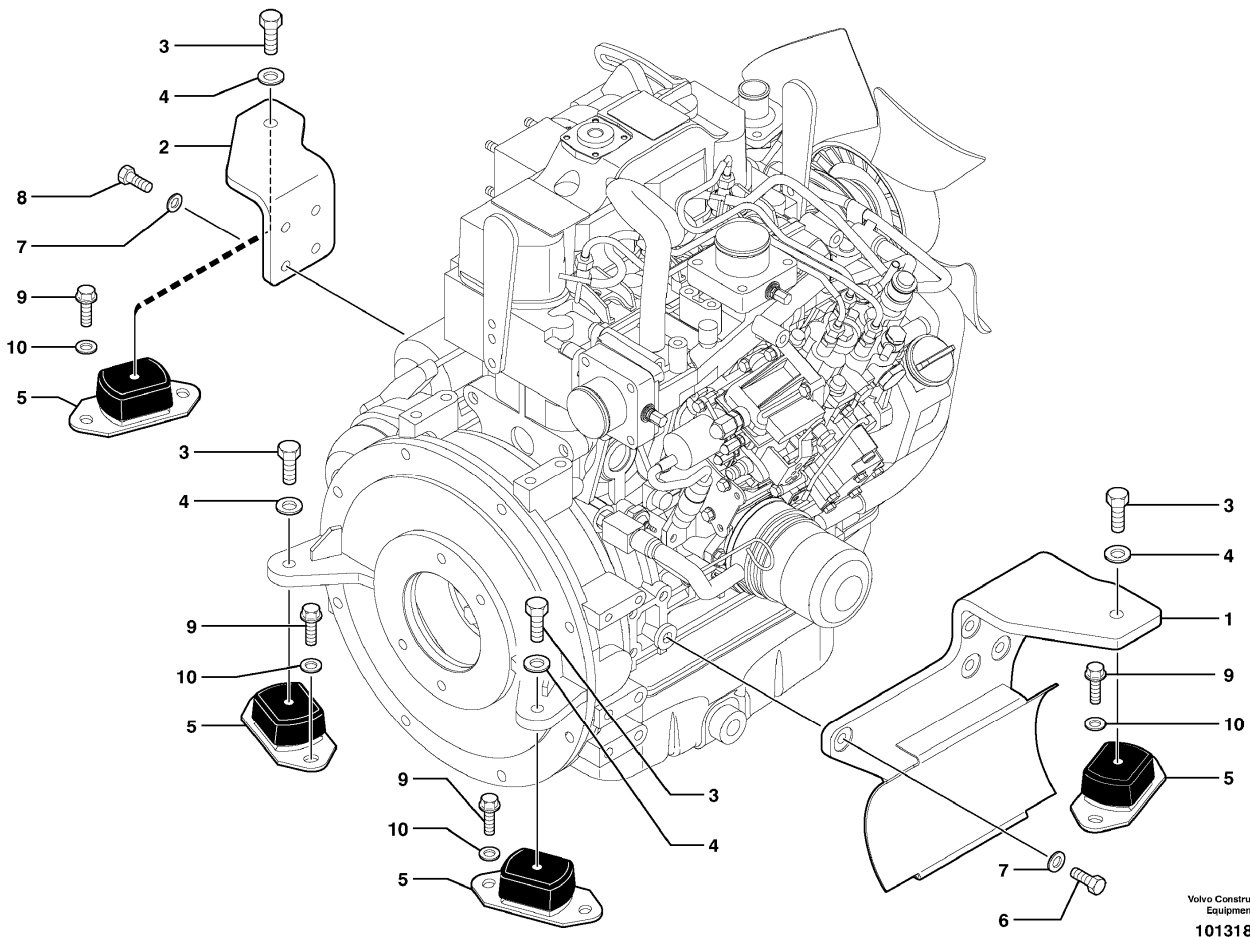
Volvo Construction
Equipment
1012505

Q1-Q5	Option	Option description	
-------	--------	--------------------	--

Q1 602.10151			
Q2 15602421	VOE15602421	Engine	

Pos	Part	Q1	Q2	Q3	Q4	Q5	PS	Kit	Description	Option(s)	Remark
1	VOE11713635	1	1						Spacer		
2	VOE11713636	1	1						Sump		
3	VOE11713638	1	1						•Drain plug		
4	VOE11713639	1	1						•Sealing		
5	VOE11714372	4	4						Bolt		(SA8240-01680)
6	VOE11713640	2	2						Bolt		
7	VOE11714377	20	20						Bolt		(SA8240-01720)
8	VOE14543857	1							Gasket		(SA8240-02760)

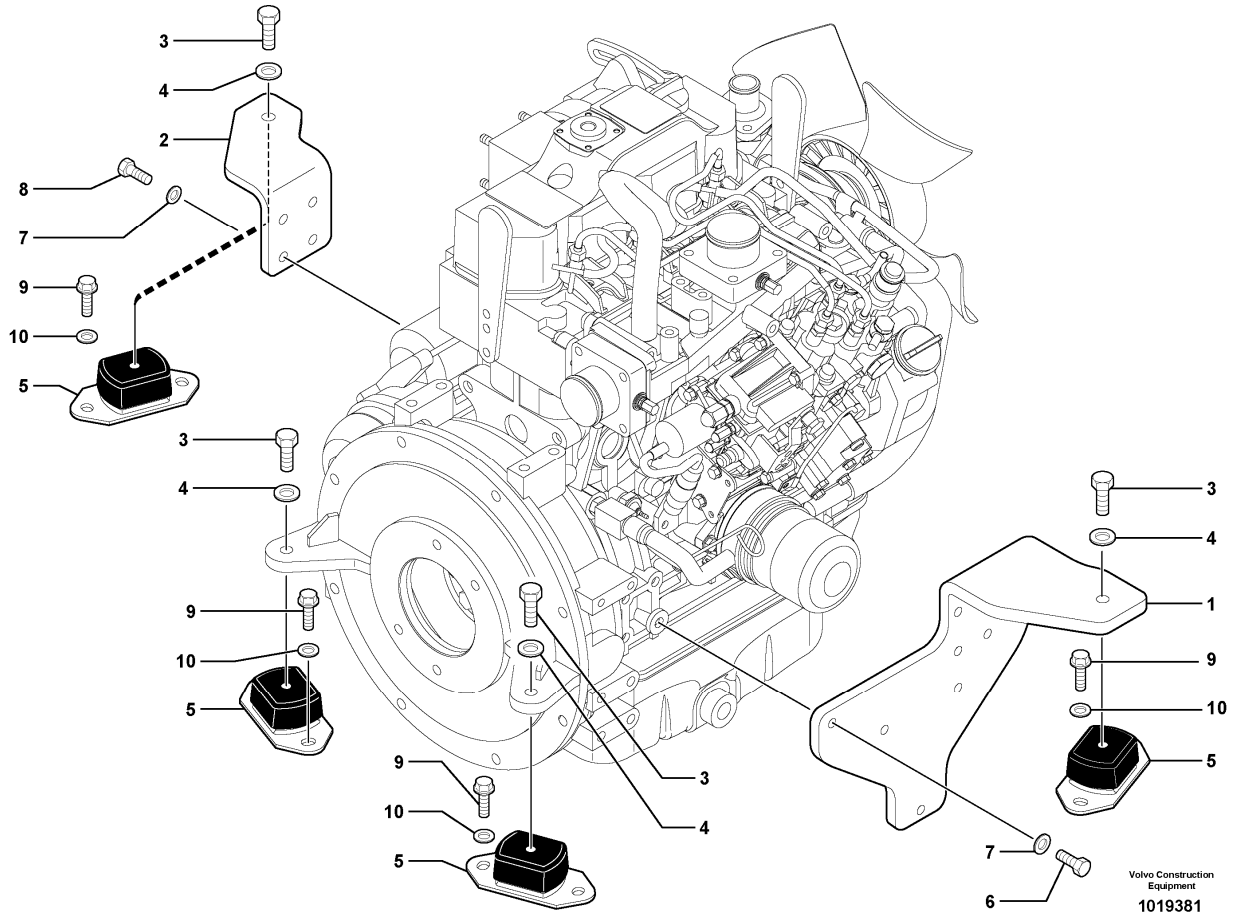
Date: 2013/12/16	Image id: 1013181	Catalogue: 20048	Model: ECR38
Brand: Volvo	Serial: 60210151-602999 99	Group/Section: 218/100	Title: Engine mounts



Q1-Q5	Option	Option description	
Q1 602.10151 602.10668			

Pos	Part	Q1	Q2	Q3	Q4	Q5	PS	Kit	Description	Option(s)	Remark
1	VOE11801339	1							Support		
2	VOE11801334	1							Support		
3	VOE978932	4							Hexagon screw		ALT , M12X30
3	VOE978933	4							Hexagon screw		ALT , M12X40
4	VOE13955897	4							Washer		(VOE11050693)
5	VOE11800449	4							Rubber stop		
6	VOE983252	5							Hexagon screw		
7	VOE960148	9							Washer		
8	VOE983251	4							Hexagon screw		

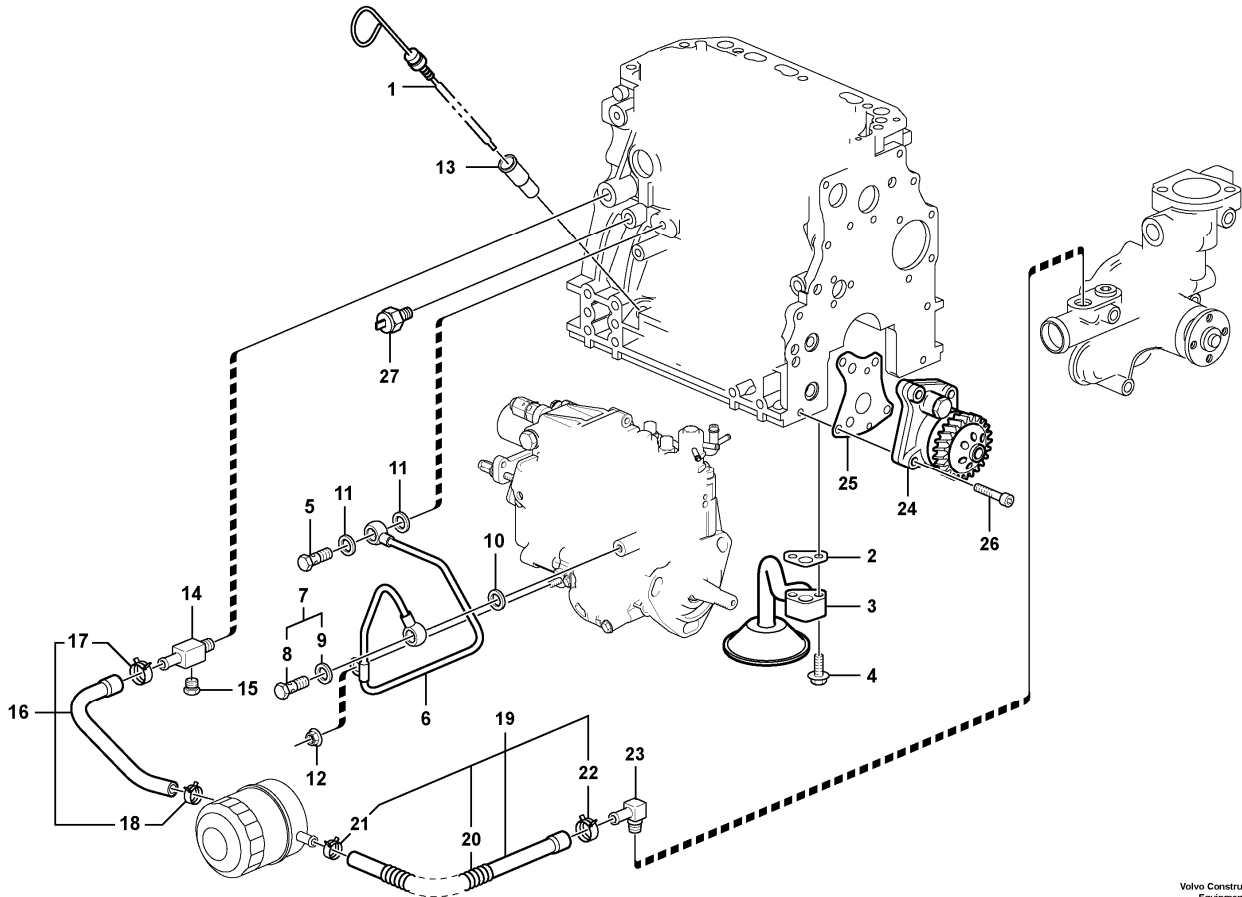
Date: 2013/12/16	Image id: 1019381	Catalogue: 20048	Model: ECR38
Brand: Volvo	Serial: 60210151-602999 99	Group/Section: 218/110	Title: Engine mounts



Q1-Q5	Option	Option description	
Q1 602.10669			

Pos	Part	Q1	Q2	Q3	Q4	Q5	PS	Kit	Description	Option(s)	Remark
1	VOE11806956	1							Support		
1	VOE15612743	1					NS		Bracket	VOE156024 21	
2	VOE11801334	1							Support		
3	VOE978932	4							Hexagon screw		ALT , M12X30
3	VOE978933	4							Hexagon screw		ALT , M12X40
4	VOE13955897	4							Washer		(VOE11050693)
5	VOE11800449	4							Rubber stop		
6	VOE983252	5							Hexagon screw		
7	VOE960148	9							Washer		
8	VOE983251	4							Hexagon screw		

Date: 2013/12/16	Image id: 1034833	Catalogue: 20048	Model: ECR38
Brand: Volvo	Serial: 60210151-602999 99	Group/Section: 220/100	Title: Lubricating oil system



Volvo Construction
Equipment
1034833

Q1-Q5	Option	Option description	
Q1 602.10151			
Q2 15602421	VOE15602421	Engine	

Pos	Part	Q1	Q2	Q3	Q4	Q5	PS	Kit	Description	Option(s)	Remark
1	VOE11713702	1							Dipstick		
1	VOE11715317		1						Dipstick		
2	VOE11713704	1	1						Gasket		
3	VOE11713705	1	1						Oil strainer		
4	VOE11714281	2	2						Flange screw		
5	VOE11713706	1	1						Bolt		
6	VOE11713707	1	1						Pipe		
7	VOE14521571	1	1						Bolt		
8	SA8210-05600	1	1						•Bolt		
9	VOE11714476	1	1						•Sealing washer		(SA8240-01020)

10	VOE11714476	1	1						Sealing washer		(SA8240-01020)
11	VOE11713708	2	2						Sealing		
12	VOE11713709	1	1						Nut		
13	VOE11715318	1	1						Dipstick tube		
14	VOE11713713	1	1						Manifold		
15	SA8210-05340	1					SS		Plug		
15	VOE11714474		1						Plug		
16	VOE11713714	1	1						Hose		
17	VOE11713715	1	1						•Clamp		
18	VOE11713716	1	1						•Clamp		
19	VOE11713717	1	1						Hose		
20	VOE11713721	1	1						•Protecting hose		
21	VOE11713716	1	1						•Clamp		
22	VOE11713715	1	1						•Clamp		
23	VOE11713722	1	1						Elbow		
24			1				NS		Oil Pump		
25	VOE15079350		1						Gasket		
26	VOE15079623		4						Bolt		
27	VOE15066081		1						Oil pressure sensor		

Thank you so much for reading.
Please click the “Buy Now!”
button below to download the
complete manual.



After you pay.

You can download the most
perfect and complete manual in
the world immediately.

Our support email:

ebooklibonline@outlook.com