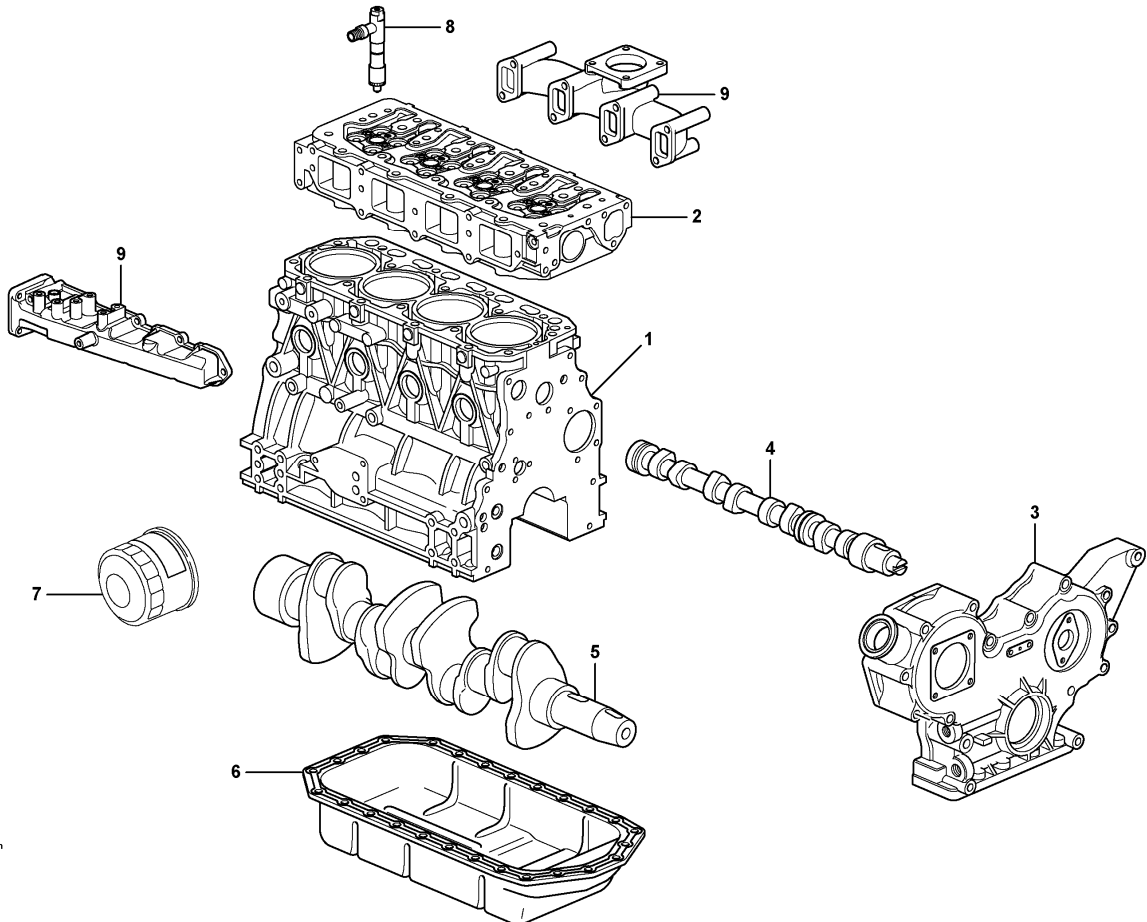


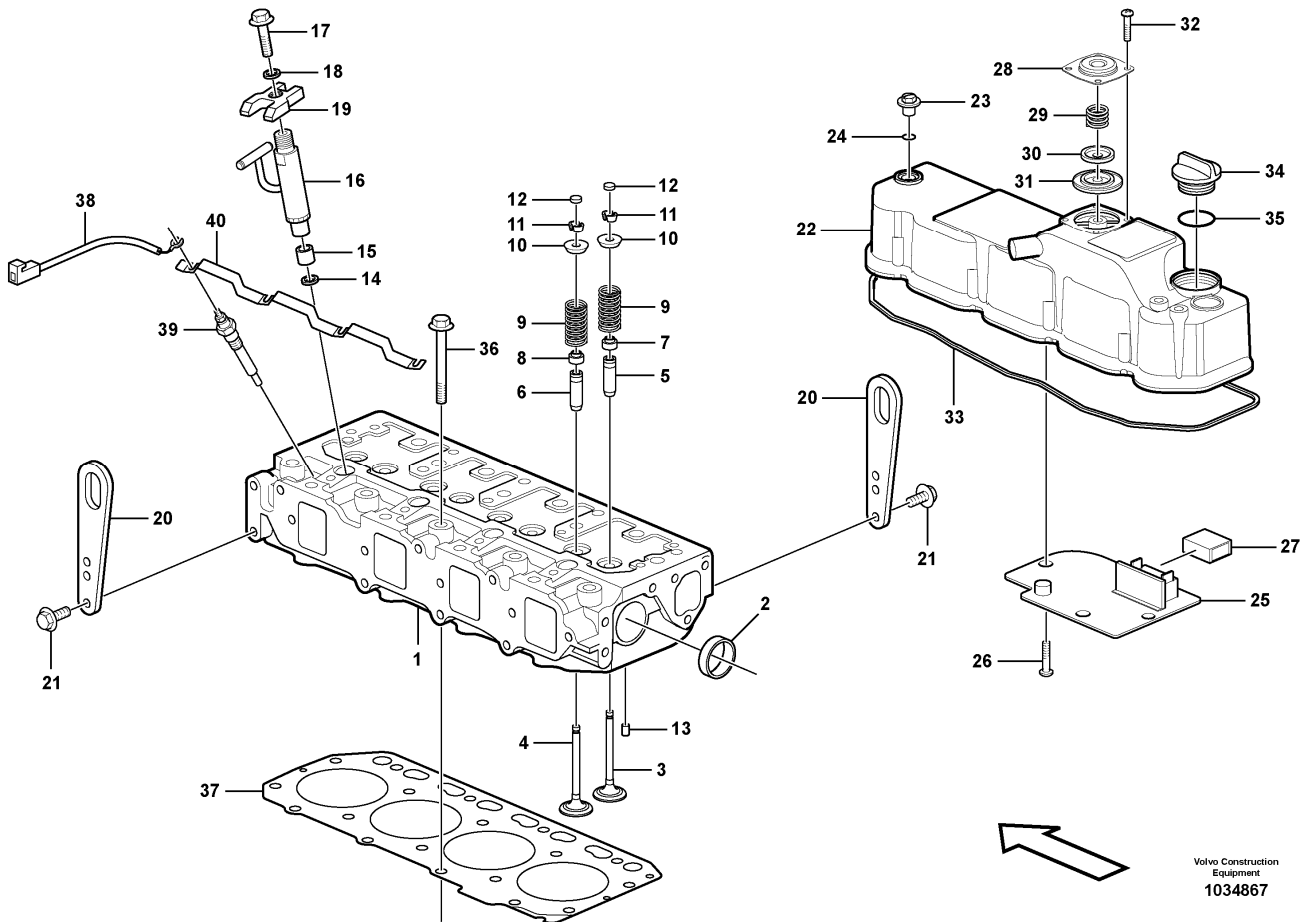
Date: 2013/12/16	Image id: 1018256	Catalogue: 20134	Model: ECR48C
Brand: Volvo	Serial: 4838-	Group/Section: 210/100	Title: Engine



Section option	Kit	Option description
VOE11806938		Engine
VOE11808572		Engine 4TNV88-BSVE

Pos	Part	Q1	Q2	Q3	Q4	Q5	PS	Kit	Description	Option(s)	Remark
	VOE11806938	1							Engine		
	VOE11808572	1							Engine		
1		1							•Cylinder block		See ref 212/100
2		1							•Cylinder head		See ref 211/100
3		1							•Timing gear casing		See ref 215/100
4		1							•Camshaft		See ref 215/150
5		1							•Crankshaft		See ref 216/100
6		1							•Oil sump		See ref 217/100
7		1							•Oil Filter		See ref 220/100
8		1							•Injector		See ref 237/100
9		1							•Inlet, exhaust syst.		See ref 251/100

Date: 2013/12/16	Image id: 1034867	Catalogue: 20134	Model: ECR48C
Brand: Volvo	Serial: 4838-	Group/Section: 211/100	Title: Cylinder head



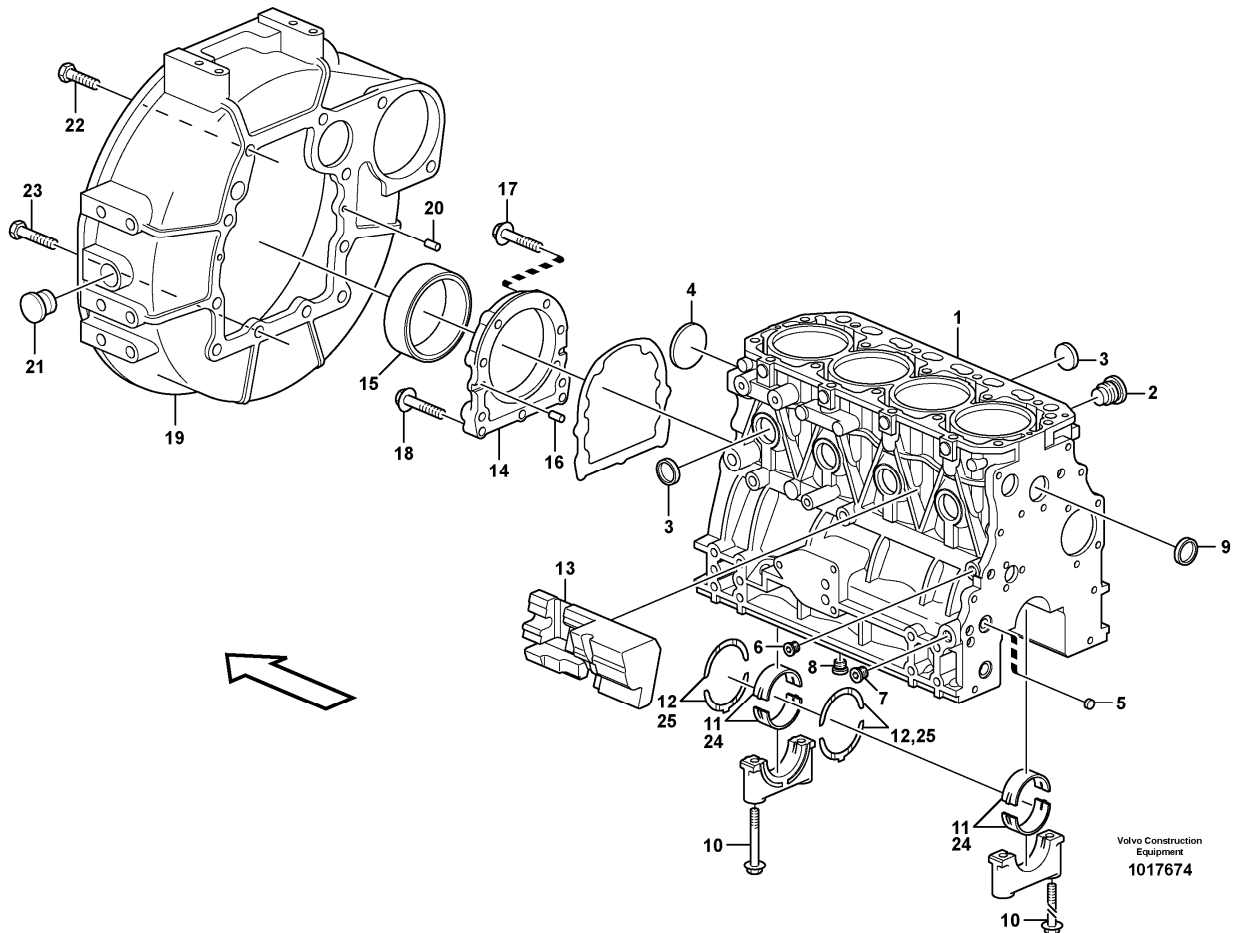
Section option	Kit	Option description
VOE11806938		Engine
VOE11808572		Engine 4TNV88-BSVE

Q1-Q5	Option	Option description	
Q1 11806938	VOE11806938	Engine	
Q2 11808572	VOE11808572	Engine 4TNV88-BSVE	

Pos	Part	Q1	Q2	Q3	Q4	Q5	PS	Kit	Description	Option(s)	Remark
1	VOE11715312	1							Cylinder head		
1	VOE15079814		1						Cylinder head		
2	VOE11714379	2	2						•Plug		
3	VOE11715313	4							•Inlet valve		
3	VOE11714709		4						•Valve		
4	VOE11714710	4							•Valve		
4	VOE15079319		4						•Exhaust valve		

5	VOE11714708	4	4						•Valve guide		
6	VOE11714713	4	4						•Valve guide		
7	VOE11713652	4	4						•Sealing		
8	VOE11713651	4	4						•Sealing		
9	VOE11714711	8	8						•Valve spring		
10	VOE11714712	8	8						•Spring retainer		
11	VOE11713654	8	8						•Valve sleeve		
12	VOE11713647	8	8						Cap		
13	VOE11714387	2	2						Spring pin		
14	VOE11714381	4	4						Seat		
15	VOE14521532	4	4						Protection		
16		4	4						Injector		See ref 237/100
17	VOE11714281	4	4						Flange screw		
18	VOE11713655	4	4						Washer		
19	VOE11713653	4	4						Retainer		
20	VOE11714378	2	2						Lifting bracket		
21	VOE11714372	4	4						Bolt		
22	VOE11714660	1	1						Valve cover		
23	VOE11714385	3	3						•Flange cap nut		
24	VOE11714386	3	3						•O-ring		
25	VOE11713657	1	1						•Plate		
26	VOE11714720	4	4						•Screw		
27	VOE11713658	1	1						•Baffle		
28	VOE11714718	1	1						•Cover		
29	VOE11714719	1	1						•Spring		
30	VOE11713659	1	1						•Plate		
31	VOE11713661	1	1						•Diaphragm		
32	VOE11714720	4	4						•Screw		
33	VOE11714612	1	1						•Gasket		
34	VOE11714383	1	1						Cap		
35	VOE11714371	1	1						O-ring		
36	VOE11713588	18	18						Flange screw		
37	VOE11714611	1	1						Gasket		
38	VOE15079816		1						Wire		
39	VOE15079818		4						Glow plug		
40	VOE15079820		1						Connector		

Date: 2013/12/16	Image id: 1017674	Catalogue: 20134	Model: ECR48C
Brand: Volvo	Serial: 4838-	Group/Section: 212/100	Title: Cylinder block



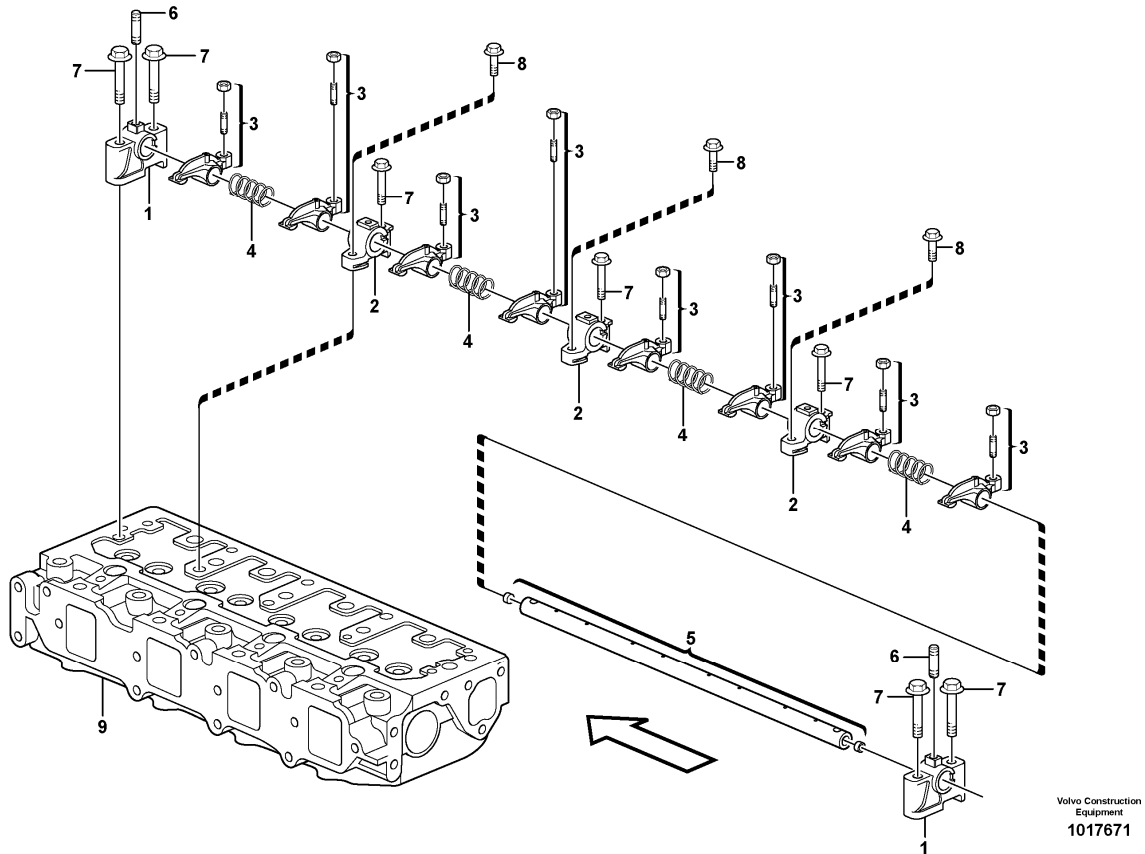
Section option	Kit	Option description
VOE11806938		Engine
VOE11808572		Engine 4TNV88-BSVE

Q1-Q5	Option	Option description	
Q1 11806938	VOE11806938	Engine	
Q2 11808572	VOE11808572	Engine 4TNV88-BSVE	

Pos	Part	Q1	Q2	Q3	Q4	Q5	PS	Kit	Description	Option(s)	Remark
1	VOE11714616	1							Cylinder block		
1	VOE15080023		1				SS		Block		
2	VOE11713560	1	1						•Plug		
3	VOE11714369	8	8						•Plug		
4	VOE11713559	1	1						•Plug		
5	VOE11713329	2	2						•Plug		
6	VOE11713317	1	1						•Plug		

7	VOE11713320	2	2						•Plug		
8	VOE11713320	1	1						•Plug		
9	VOE11713562	1							•Camshaft bushing		
9	VOE15028444		1						•Bushing		
10	VOE11713561	10	10						•Bolt		
11	VOE15082457	5							•Bearing kit		(VOE11713570)STD SZ
11			5				NS		•Bearing Bushing		STD SZ
11	VOE15082457		5						Bearing kit		REPAIR PART
11	VOE15082494		5						Bearing arrangement		US = 0,25 MM
12	VOE11713573	2							•Thrust bearing		STD SZ
12	VOE15082453		2						•Thrust washer		STD SZ
12	VOE15082449		1						Thrust Bearing		US = 0,25 MM
13	VOE11713587	1	1						Spacer		
14	VOE11714282	1	1						Cover		
15	VOE11714283	1	1						•Sealing ring		
16	VOE11714376	2	2						Pin		
17	VOE11713643	6	6						Bolt		
18	VOE11714281	3	3						Flange screw		
19	VOE11713633	1	1						Housing		
20	VOE11714376	2	2						Pin		
21	VOE11713372	1	1						Cap		
22	VOE11713373	6	6						Bolt		
23	VOE11713634	4	4						Bolt		
24	VOE11713590	5							Main bearing shell		0.25 MM O SZ
25	VOE11713591	2							Thrust bearing		0.25 MM O SZ

Date: 2013/12/16	Image id: 1017671	Catalogue: 20134	Model: ECR48C
Brand: Volvo	Serial: 4838-	Group/Section: 214/100	Title: Valve mechanism



Volvo Construction
Equipment
1017671

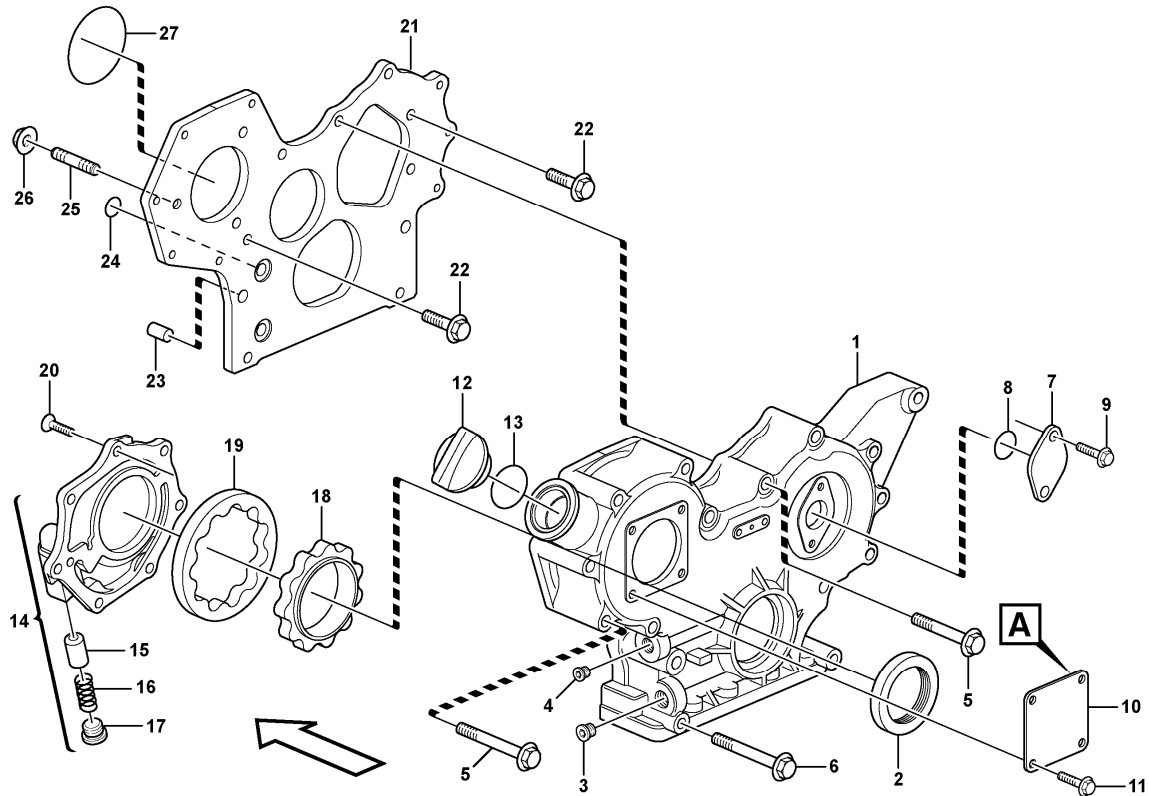
Section option	Kit	Option description
VOE11806938		Engine
VOE11808572		Engine 4TNV88-BSVE

Q1-Q5	Option	Option description	
Q1 11806938	VOE11806938	Engine	
Q2 11808572	VOE11808572	Engine 4TNV88-BSVE	

Pos	Part	Q1	Q2	Q3	Q4	Q5	PS	Kit	Description	Option(s)	Remark
	VOE11714659						NS		Rocker Arm		
1	VOE11714714	2	2						•Support		
2	VOE11714715	3	3						•Support		
3	VOE11713646	8	8						•Rocker arm		
4	VOE11714716	4	4						•Spring		
5	VOE11714717	1	1						•Shaft		
6	VOE11713645	3	3						•Stud		

7	VOE11713374	7	7						Bolt		
8	VOE11713640	3	3						Bolt		
9		1	1						Cylinder head		See ref 211/100

Date: 2013/12/16	Image id: 1017692	Catalogue: 20134	Model: ECR48C
Brand: Volvo	Serial: 4838-	Group/Section: 215/100	Title: Timing gear casing and gears



Volvo Construction
Equipment
1017692

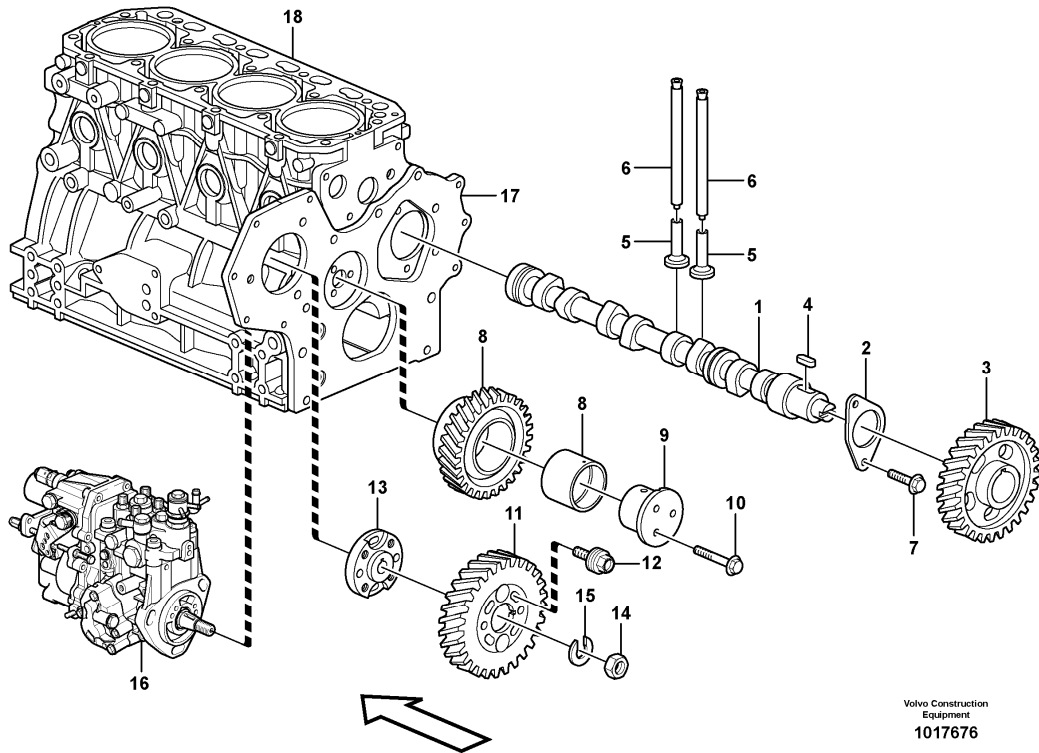
Section option	Kit	Option description
VOE11806938		Engine
VOE11808572		Engine 4TNV88-BSVE

Q1-Q5	Option	Option description	
Q1 11806938	VOE11806938	Engine	
Q2 11808572	VOE11808572	Engine 4TNV88-BSVE	

Pos	Part	Q1	Q2	Q3	Q4	Q5	PS	Kit	Description	Option(s)	Remark
1	VOE11713614	1							Timing gear casing		
1	VOE15080007		1						Case		
2	VOE11713616	1							•Sealing		
2	VOE15082439		1						•Sealing		
3	VOE11713615	1							•Plug		
4	VOE14521504	1							•Plug		
5	VOE11714373	11							Bolt		

5	VOE11714373		12						Bolt		
6	VOE11714271	3	3						Flange screw		
7	VOE11713625	1							Cover		
7	VOE15080008		1						Cover		
8	VOE11713626	1	1						O-ring		
9	VOE11714374	2	2						Bolt		
10	VOE11714370	1	1						Cover		
11	VOE11714372	4	4						Bolt		
12	VOE11714383	1	1						Cap		
13	VOE11714371	1	1						O-ring		
14	VOE11713617	1							Oil pump		
15	VOE11713349	1							•Valve		
16	VOE11713629	1							•Spring		
17	VOE11713351	1							•Plug		
18	VOE11713622	1							Oil pump wheel		
19	VOE11713623	1							Oil pump wheel		
20	VOE11713356	7							Screw		
21	VOE11713618	1							Timing gear casing		
21			1				NS		Timing gear casing		
22	VOE11714372	3	3						Bolt		
23	VOE11713620	2	2						Pipe		
24	VOE11713621	4	2						O-ring		
25	VOE11713619	3							Stud		
25	VOE15079309		3						Ball pin		
26	VOE14521543	3	3						Nut		
27	VOE11713305	1	1						O-ring		

Date: 2013/12/16	Image id: 1017676	Catalogue: 20134	Model: ECR48C
Brand: Volvo	Serial: 4838-	Group/Section: 215/150	Title: Valve mechanism



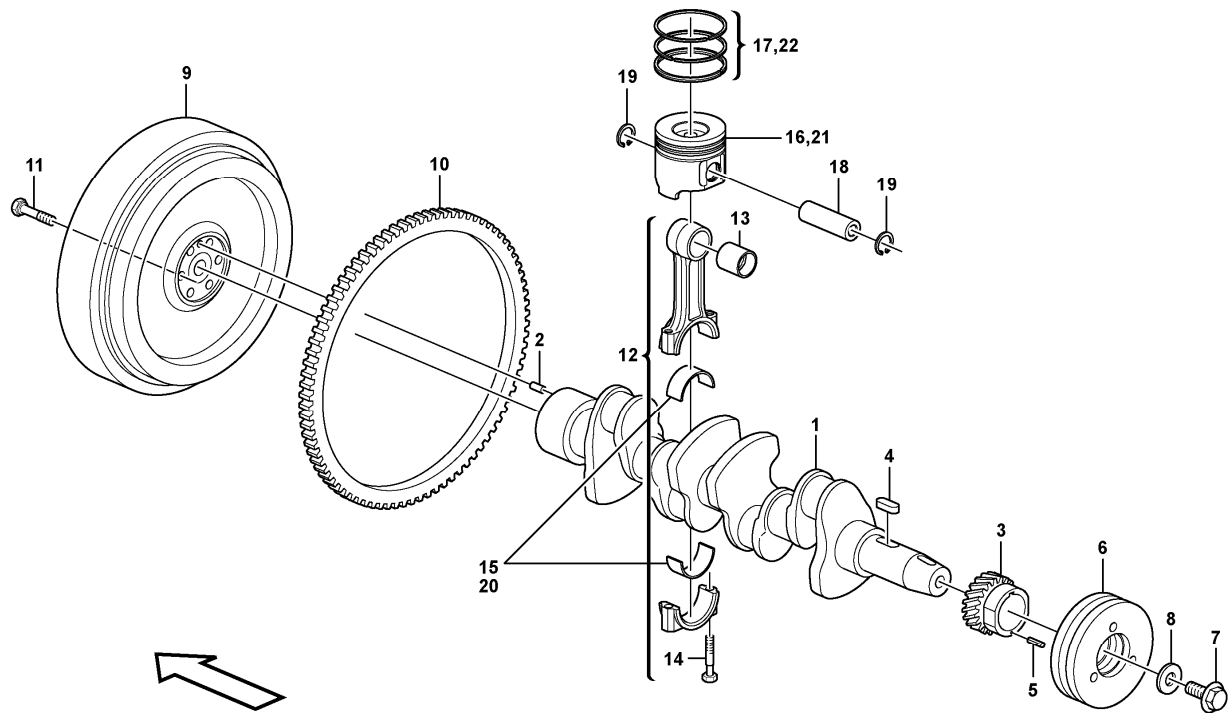
Section option	Kit	Option description
VOE11806938		Engine
VOE11808572		Engine 4TNV88-BSVE

Q1-Q5	Option	Option description	
Q1 11806938	VOE11806938	Engine	
Q2 11808572	VOE11808572	Engine 4TNV88-BSVE	

Pos	Part	Q1	Q2	Q3	Q4	Q5	PS	Kit	Description	Option(s)	Remark
1	VOE11714644	1							Camshaft		
2		1	1				NS		•Thrust Washer		
3		1	1				NS		•Camshaft Gear		
4		1	1				NS		•Key		
5	VOE11714485	8	8						Tappet		
6	VOE11713678	8	8						Rod		
7	VOE14525410	2	2						Bolt		

8	VOE11713681	1							Gear		
8	VOE15079637		1						Gear		
9	VOE11713680	1							Shaft		
9	VOE15079645		1						Shaft		
10	VOE11714487	3	3						Bolt		
11	VOE11714338	1	1						Gear		
12	VOE11713415	4	4						Bolt		
13	VOE11714339	1	1						Flange		
14	VOE11714345	1	1						Spring washer		
15	VOE11714347	1	1						Lock nut		
16		1	1						Injection Pump		See ref 236/100
17		1	1						Timing gear casing		See ref 215/100
18		1	1						Cylinder Block		See ref 212/100

Date: 2013/12/16	Image id: 1017695	Catalogue: 20134	Model: ECR48C
Brand: Volvo	Serial: 4838-	Group/Section: 216/100	Title: Crankshaft and related parts



Volvo Construction
Equipment
1017695

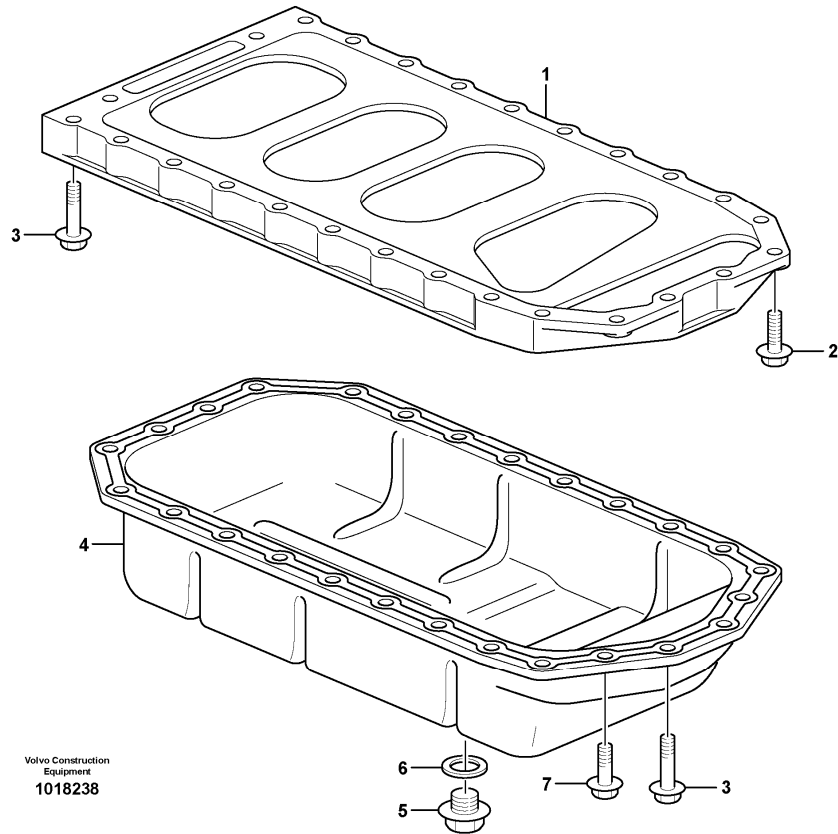
Section option	Kit	Option description
VOE11806938		Engine
VOE11808572		Engine 4TNV88-BSVE

Q1-Q5	Option	Option description	
Q1 11806938	VOE11806938	Engine	
Q2 11808572	VOE11808572	Engine 4TNV88-BSVE	

Pos	Part	Q1	Q2	Q3	Q4	Q5	PS	Kit	Description	Option(s)	Remark
1	VOE11714661	1							Crankshaft		
1	VOE15079830		1						Crankshaft		
2	VOE11714376	1	1						•Pin		
3	VOE11714355	1							•Gear		
3	VOE15079971		1						•Gear		
4	VOE11714468	1	1						•Key		
5	VOE11713687	1	1						Pin		

6	VOE11714357	1	1						Pulley		
7	VOE11713690	1	1						Bolt		
8	VOE11713689	1	1						Washer		
9	VOE11715316	1	1						Flywheel		
10	VOE11713419	1	1						•Starter gear ring		
11	VOE11713431	6	6						Bolt		
12	VOE11713696	4	4						Connecting rod		
13	VOE11714724	4	4						•Bushing		
14	VOE11713697	8	8						•Bolt		
15	VOE11713698	4							•Bearing		STD SZ
15	VOE15079972		4						•Bearing bushing		
16	VOE11713692	4	4						Piston		STD SZ
17	VOE11713693	4	4						•Compression ring		STD SZ
18	VOE11713694	4	4						Pin		
19	VOE11713695	8	8						Retaining ring		
20	VOE11713699	4							Bearing		0.25 MM O SZ
20	VOE15079973		4						Bearing bushing		0.25 MM O SZ
21	VOE11713700	4	4						Piston		0.25 MM O SZ
22	VOE11713701	4	4						Compression ring		0.25 MM O SZ

Date: 2013/12/16	Image id: 1018238	Catalogue: 20134	Model: ECR48C
Brand: Volvo	Serial: 4838-	Group/Section: 217/100	Title: Oil sump



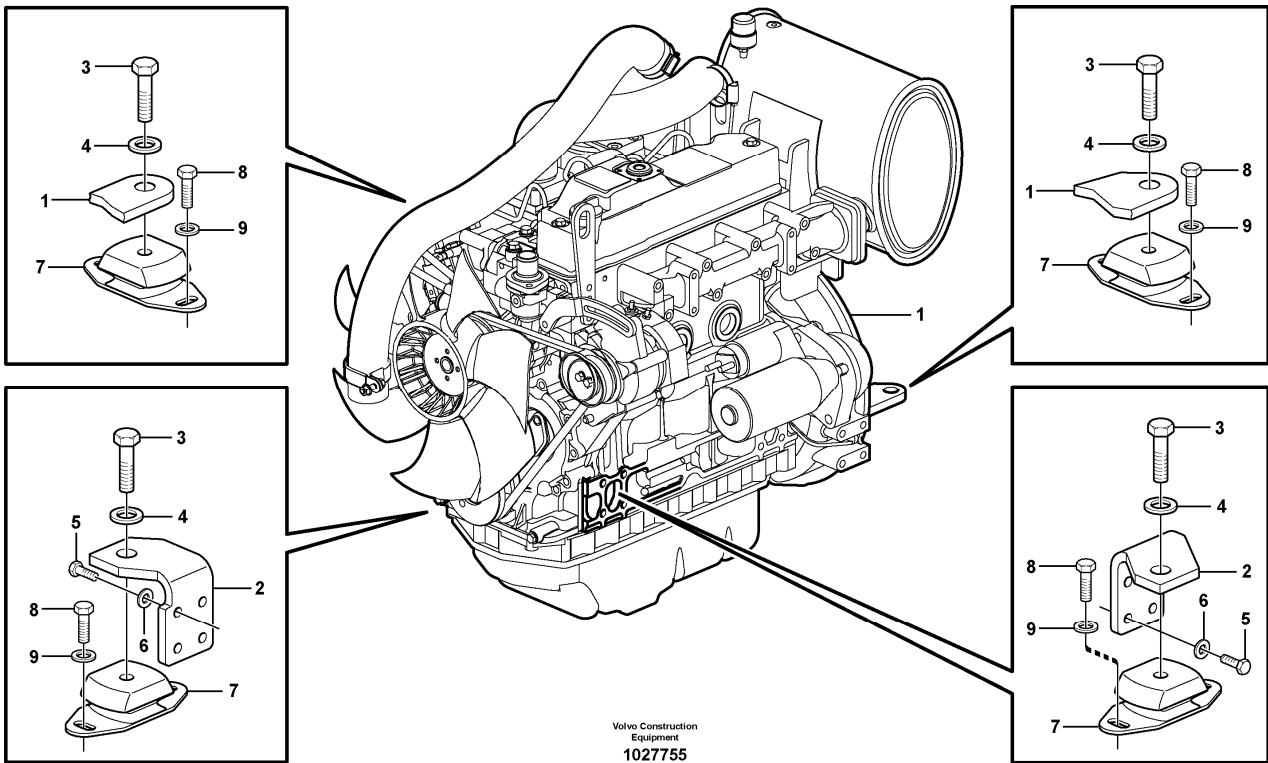
Section option	Kit	Option description
VOE11806938		Engine
VOE11808572		Engine 4TNV88-BSVE

Q1-Q5	Option	Option description	
Q1 11806938	VOE11806938	Engine	
Q2 11808572	VOE11808572	Engine 4TNV88-BSVE	

Pos	Part	Q1	Q2	Q3	Q4	Q5	PS	Kit	Description	Option(s)	Remark
1	VOE11714276	1	1						Spacer		
2	VOE11713640	2	2						Bolt		
3	VOE11713640	24							Bolt		
3	VOE11714377		24						Bolt		
4	VOE11715000	1	1						Oil pan		
5	VOE11713638	1	1						•Drain plug		
6	VOE11713639	1	1						•Sealing		

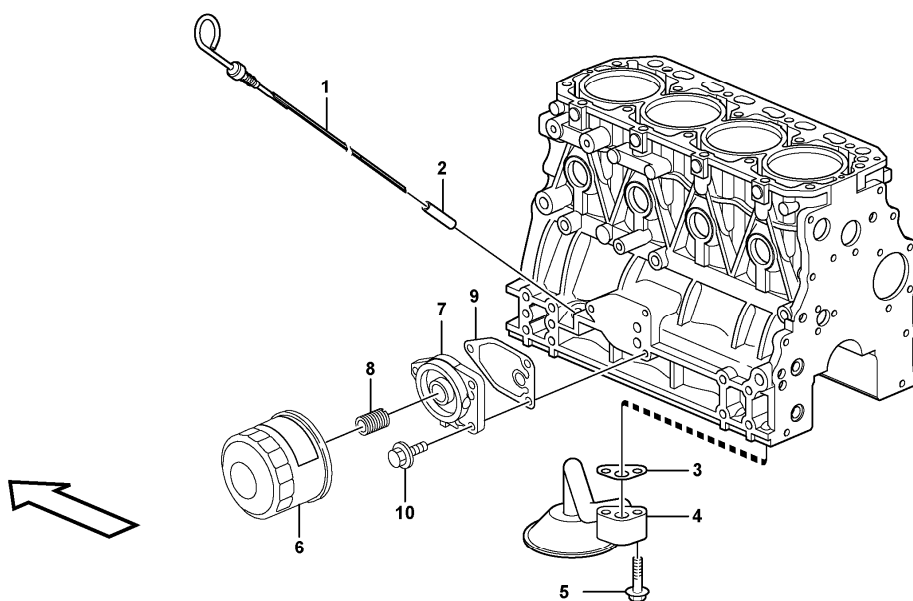
7	VOE11714372	4	4						Bolt		
---	-------------	---	---	--	--	--	--	--	------	--	--

Date: 2013/12/16	Image id: 1027755	Catalogue: 20134	Model: ECR48C
Brand: Volvo	Serial: 4838-	Group/Section: 218/100	Title: Engine mounting



Pos	Part	Q1	Q2	Q3	Q4	Q5	PS	Kit	Description	Option(s)	Remark
1		1							Engine		See ref 210/100
2	VOE11806777	1							Engine bracket		RH
2	VOE11807423	1							Engine bracket		LH
3	VOE978938	4							Hexagon screw		
4	VOE13955900	4							Washer		
5	VOE983251	8							Hexagon screw		
6	VOE976945	8							Washer		
7	VOE11090592	4							Rubber cushion		
8	VOE978932	8							Hexagon screw		
9	VOE13955897	8							Washer		

Date: 2013/12/16	Image id: 1018249	Catalogue: 20134	Model: ECR48C
Brand: Volvo	Serial: 4838-	Group/Section: 220/100	Title: Lubricating oil system



Volvo Construction
Equipment
1018249

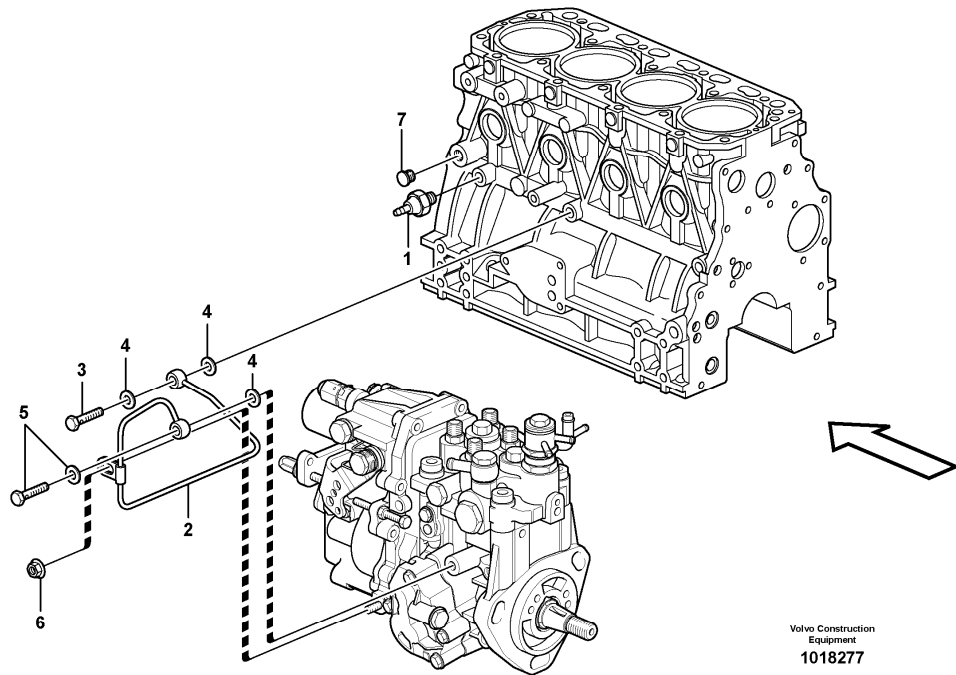
Section option	Kit	Option description
VOE11806938		Engine
VOE11808572		Engine 4TNV88-BSVE

Q1-Q5	Option	Option description	
Q1 11806938	VOE11806938	Engine	
Q2 11808572	VOE11808572	Engine 4TNV88-BSVE	

Pos	Part	Q1	Q2	Q3	Q4	Q5	PS	Kit	Description	Option(s)	Remark
1	VOE11715317	1	1						Dipstick		
2	VOE11715318	1	1						Dipstick tube		
3	VOE11714394	1							Gasket		
3	VOE11713704		1						Gasket		
4	VOE11714396	1	1						Oil pipe		
5	VOE11714281	2	1						Flange screw		
6	VOE14528387	1	1						Oil Filter		(VOE11713229)

7	VOE11715319	1	1						Filter retainer		
8	VOE11713441	1	1						•Stud		
9	VOE11713703	1	1						Gasket		
10	VOE11714388	3	3						Bolt		

Date: 2013/12/16	Image id: 1018277	Catalogue: 20134	Model: ECR48C
Brand: Volvo	Serial: 4838-	Group/Section: 221/100	Title: Lubricating oil system

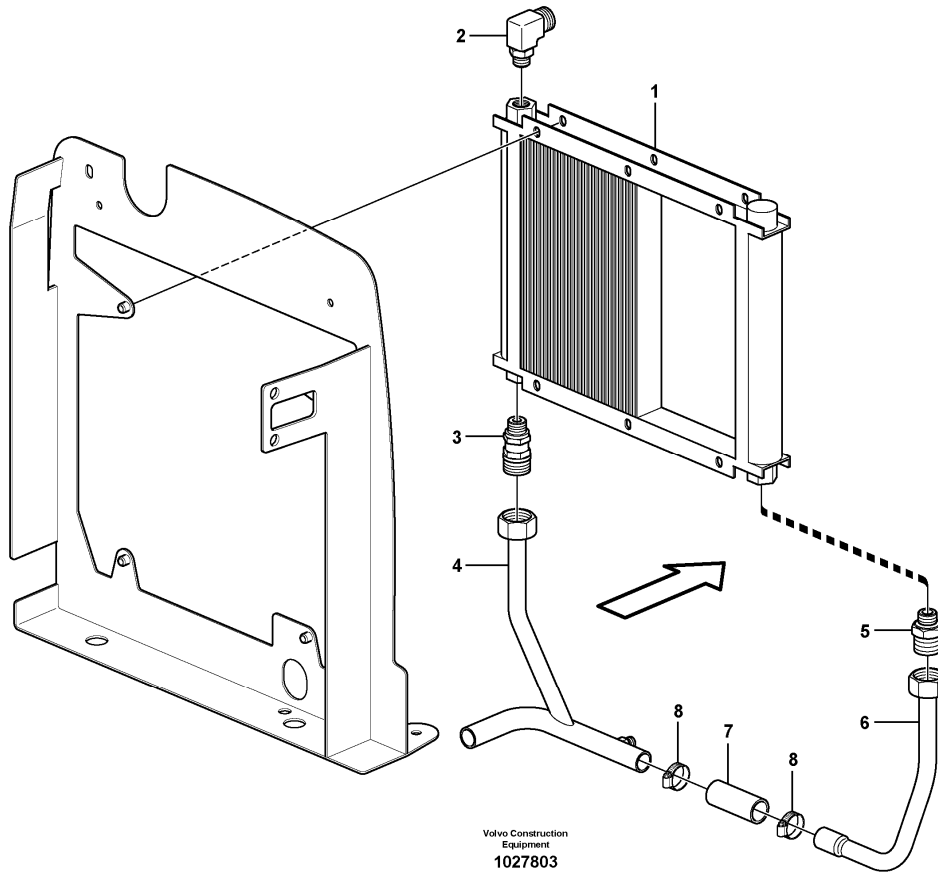


Section option	Kit	Option description
VOE11806938		Engine
VOE11808572		Engine 4TNV88-BSVE

Q1-Q5	Option	Option description	
Q1 11806938	VOE11806938	Engine	
Q2 11808572	VOE11808572	Engine 4TNV88-BSVE	

Pos	Part	Q1	Q2	Q3	Q4	Q5	PS	Kit	Description	Option(s)	Remark
1	VOE11713438	1							Oil pressure sensor		
1	VOE15066081		1						Oil pressure sensor		
2	VOE11713707	1	1						Pipe		
3	VOE11713706	1	1						Bolt		
4	VOE11714476	1	1						Sealing washer		
	VOE11713708	2	2						Sealing		
5	VOE14521571	1	1						Bolt		

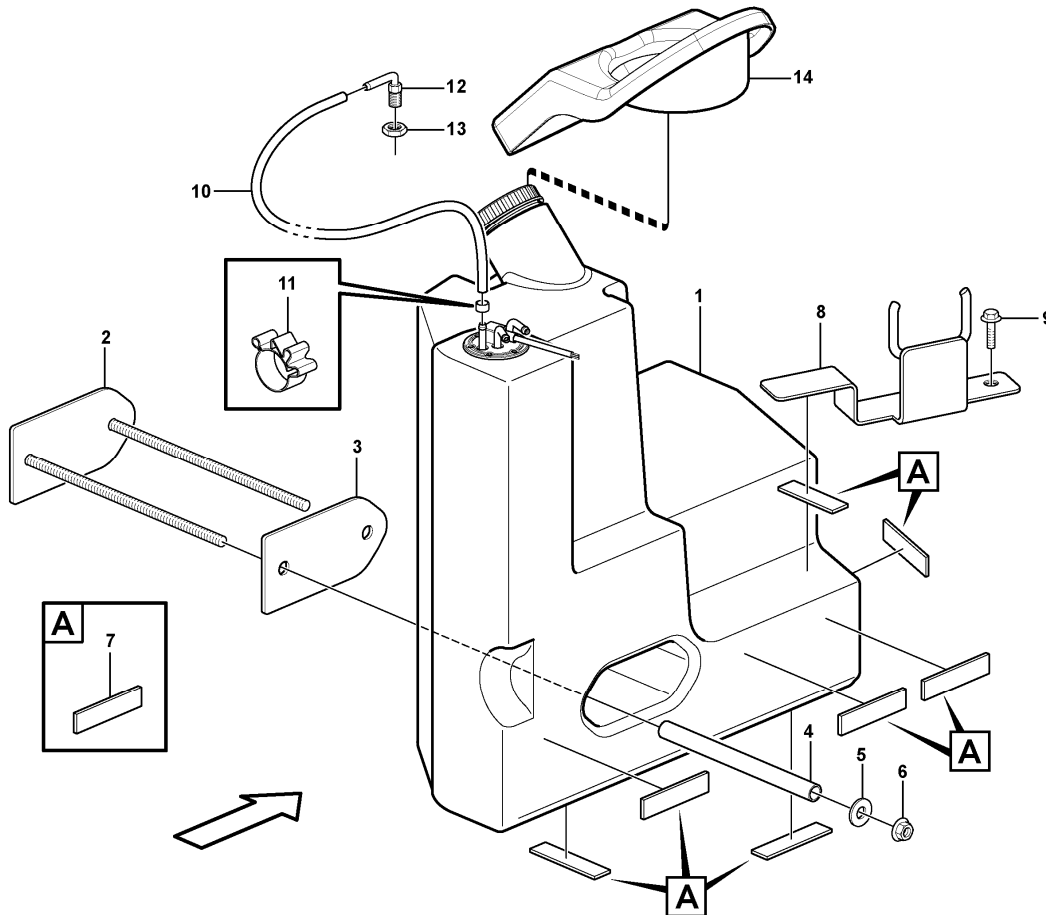
Date: 2013/12/16	Image id: 1027803	Catalogue: 20134	Model: ECR48C
Brand: Volvo	Serial: 4838-	Group/Section: 223/100	Title: Oil cooler



Section option	Kit	Option description
VOE11839909		Excavator ECR48C

Pos	Part	Q1	Q2	Q3	Q4	Q5	PS	Kit	Description	Option(s)	Remark
	VOE11807149	1					NS		Oil Cooler		
1	VOE11802037	1							•Oil cooler		
2	VOE13933909	1							•Elbow nipple		
3	VOE11803385	1							•Union		
4	VOE11807641	1							•Tube		
5	VOE13933930	1							•Nipple		(VOE11802714)
6	VOE11807640	1							•Tube		
7	VOE11802833	1							•Hose		
8	VOE943475	2							•Hose clamp		

Date: 2013/12/16	Image id: 1058527	Catalogue: 20134	Model: ECR48C
Brand: Volvo	Serial: 4838-	Group/Section: 234/100	Title: Fuel tank with fitting parts



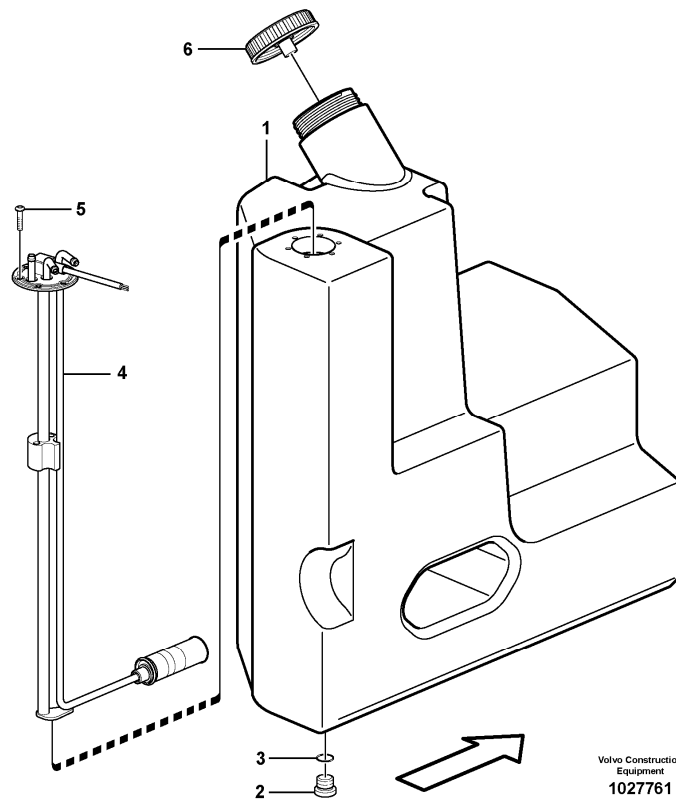
Volvo Construction
Equipment
1058527

Section option	Kit	Option description
VOE11839909		Excavator ECR48C

Pos	Part	Q1	Q2	Q3	Q4	Q5	PS	Kit	Description	Option(s)	Remark
1		1							Fuel tank		See ref 234/150
1		1							Fuel tank		SER NO 5056 - See ref 234/150
2	VOE11808365	1					NS		Support		
3	VOE11808005	1					NS		Rubber Spacer		
4	VOE11807741	2					NS		Spacer		
5	VOE13960145	2							Washer		
6	VOE971096	2							Flange nut		
7	VOE11808309	7							Rubber strap		
8	VOE11808310	1					NS		Bracket		
9	VOE946502	2							Flange screw		
10	VOE11807746	1							Tube		

11	VOE11802316	1							Clamp		
12	VOE11802319	1							Elbow		
13	VOE11802318	1							Nut		
14	VOE15610351	1							Deflector		SER NO 5055 -

Date: 2013/12/16	Image id: 1027761	Catalogue: 20134	Model: ECR48C
Brand: Volvo	Serial: 4838-	Group/Section: 234/150	Title: Fuel tank



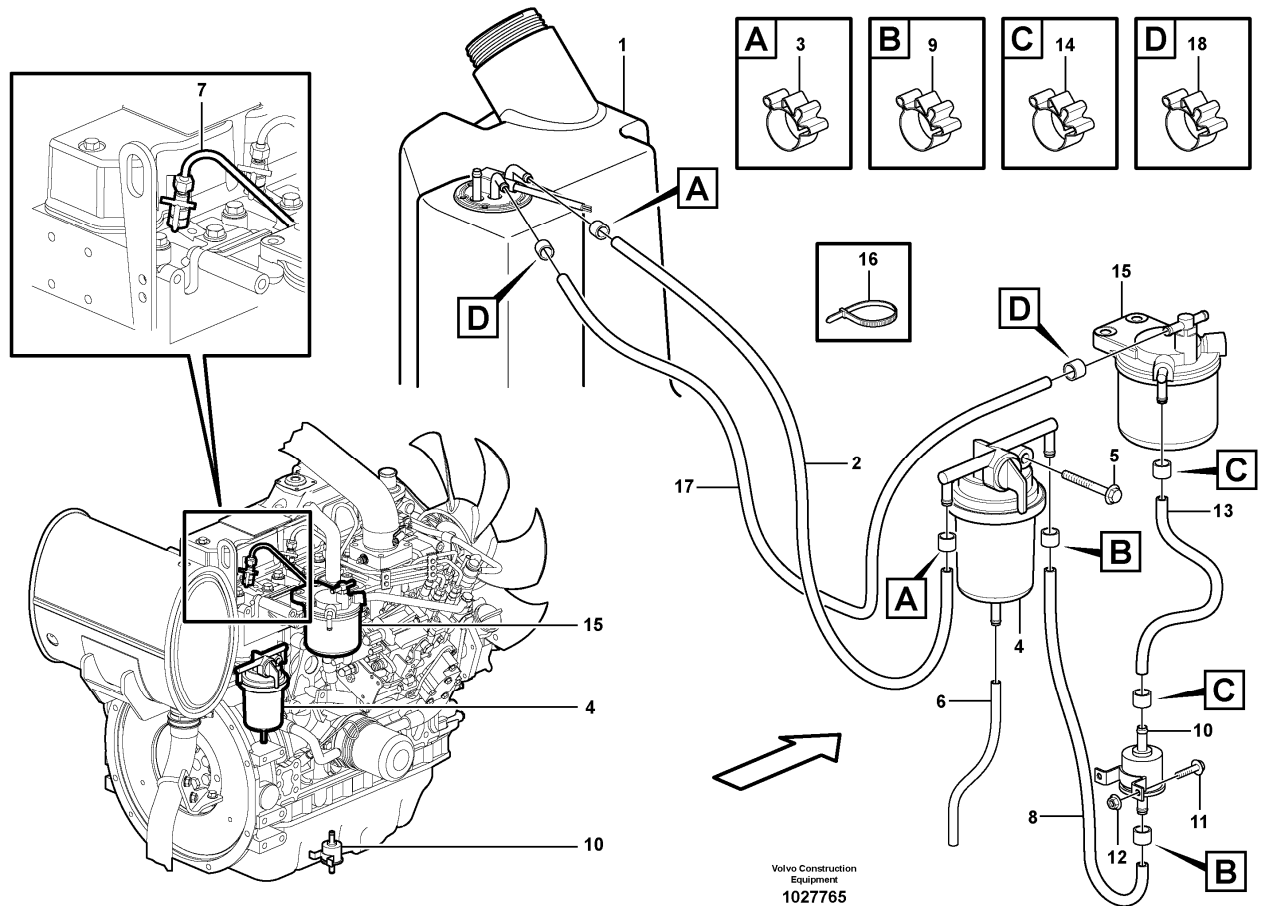
Section option	Kit	Option description
VOE11839909		Excavator ECR48C

Q1-Q5	Option	Option description	
Q1 SER NO - 5055			
Q2 SER NO - 5056			

Pos	Part	Q1	Q2	Q3	Q4	Q5	PS	Kit	Description	Option(s)	Remark
1	VOE11807736	1					SS		Fuel tank		
1	VOE15616058		1						Fuel tank		
2	VOE13966144	1	1						•Plug		
3	VOE11309481	1	1						•O-ring		
4	VOE11808110	1	1						•Fuel gauge		SE3801
5	VOE11809030	6	6				OP		•Screw		

6	VOE11807948	1	1						•Cap		
---	-------------	---	---	--	--	--	--	--	------	--	--

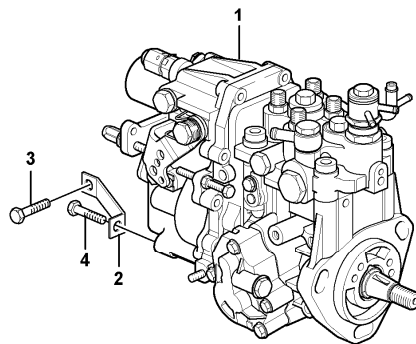
Date: 2013/12/16	Image id: 1027765	Catalogue: 20134	Model: ECR48C
Brand: Volvo	Serial: 4838-	Group/Section: 235/100	Title: Fuel pipes



Section option	Kit	Option description
VOE11839909		Excavator ECR48C

Pos	Part	Q1	Q2	Q3	Q4	Q5	PS	Kit	Description	Option(s)	Remark
1		1							Fuel tank		See ref 234/100
2	VOE11807744	1							Tube		L = 2350 MM
3	VOE11802316	2							Clamp		
4		1							Water Separator		See ref 237/100
5	VOE13965181	1							Screw		
6	VOE11807753	1					OP		Tube		L = 400 MM
7		1							Injector		See ref 237/100
8	VOE11807748	1							Tube		L = 650 MM
9	VOE11802316	2							Clamp		
10		1							Feed Pump		See ref 237/100
11	VOE13947542	2							Screw		
12	VOE13945407	2							Nut		

Date: 2013/12/16	Image id: 1017705	Catalogue: 20134	Model: ECR48C
Brand: Volvo	Serial: 4838-	Group/Section: 236/100	Title: Injection pump



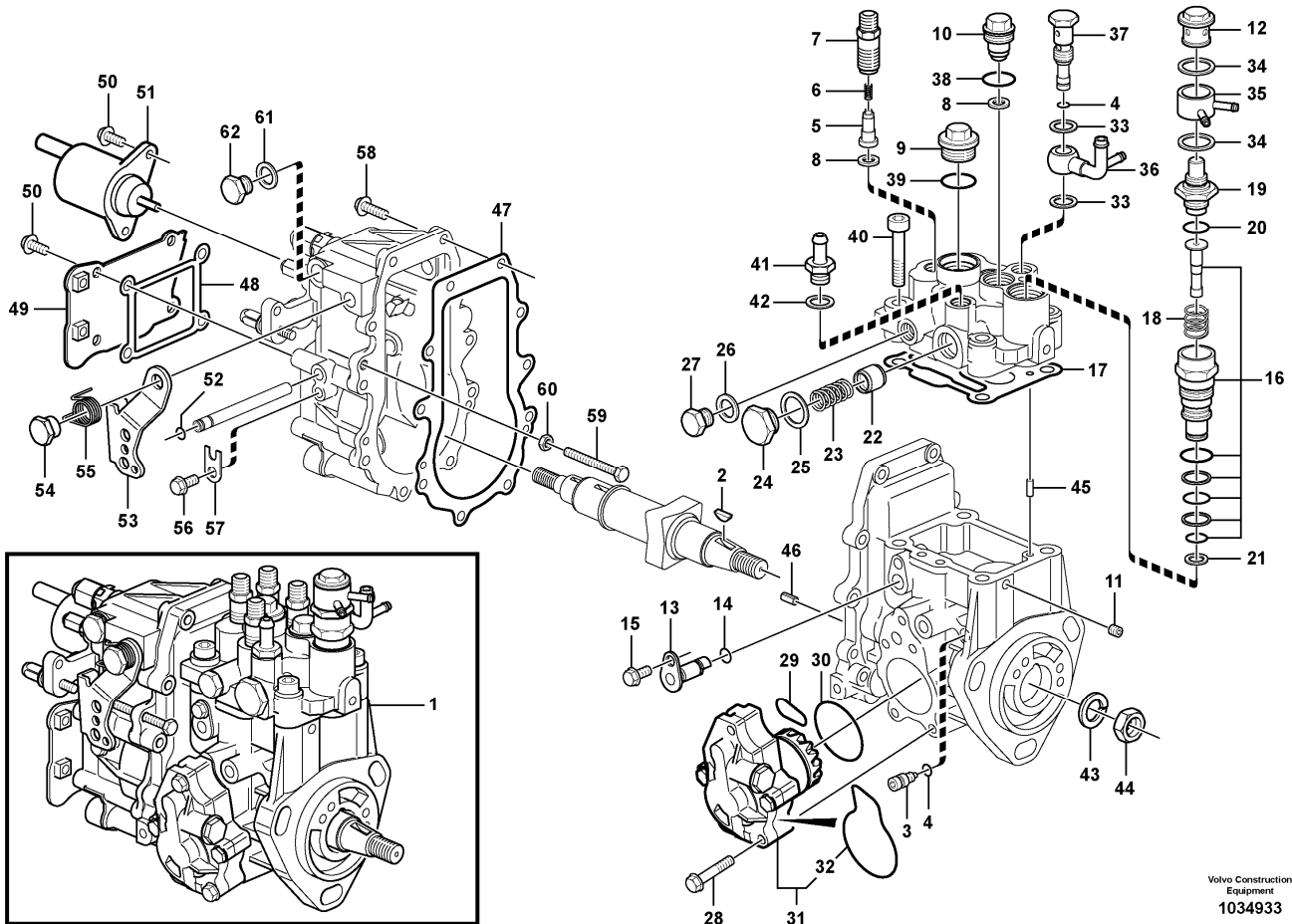
Volvo Construction
Equipment
1017705

Section option	Kit	Option description
VOE11806938		Engine
VOE11808572		Engine 4TNV88-BSVE

Q1-Q5	Option	Option description	
Q1 11806938	VOE11806938	Engine	
Q2 11808572	VOE11808572	Engine 4TNV88-BSVE	

Pos	Part	Q1	Q2	Q3	Q4	Q5	PS	Kit	Description	Option(s)	Remark
1	VOE11715336	1							Injection pump		
1	VOE15102103		1						Injection pump		(VOE15082771)
2	VOE11714662	1	1						Bracket		
3	VOE11714372	1	1						Bolt		
4	VOE11714388	1	1						Bolt		

Date: 2013/12/16	Image id: 1034933	Catalogue: 20134	Model: ECR48C
Brand: Volvo	Serial: 4838-	Group/Section: 236/150	Title: Fuel injection pump with fitting parts



Volvo Construction
Equipment
1034933

Section option	Kit	Option description
VOE11808572		Engine 4TNV88-BSVE

Pos	Part	Q1	Q2	Q3	Q4	Q5	PS	Kit	Description	Option(s)	Remark
1		1							Injection Pump		See ref 236/100
2	VOE15079666	1					OP		•Woodruff key		
3	VOE14543870	1					OP		•Stopper		
4	VOE14543871	2							•O-ring		
5	VOE15082588	4							•Valve		
6	VOE14543873	4					OP		•Spring		
7	VOE15082593	4							•Delivery valve		
8	VOE15103200	4					OP		•Washer		(VOE14543879)
9	VOE14543875	1							•Plug		
10	VOE15082601	1							•Plug		
11	VOE14543880	1					OP		•Plug		
12	VOE14543877	1							•Plug		

Thank you so much for reading.
Please click the “Buy Now!”
button below to download the
complete manual.



After you pay.

You can download the most
perfect and complete manual in
the world immediately.

Our support email:

ebooklibonline@outlook.com