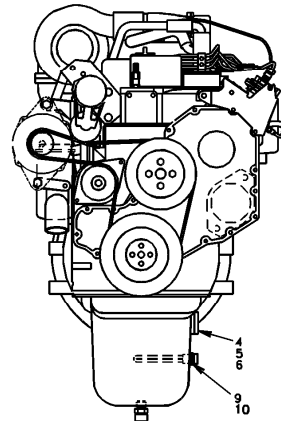
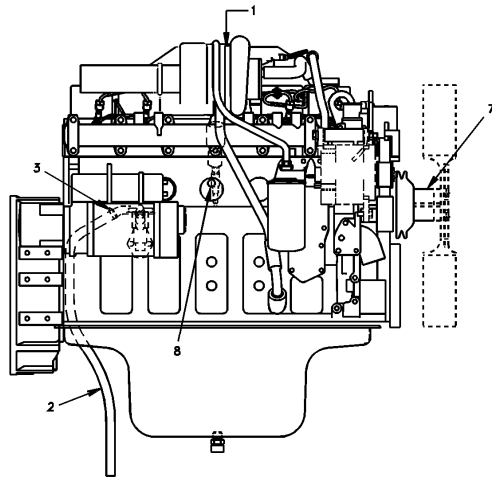
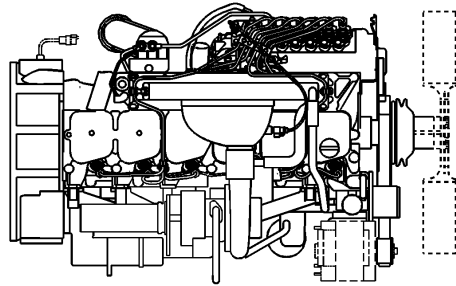


Date: 2013/10/3	Image id: SJ101B	Catalogue: 56125	Model: EW180
Brand: Volvo	Serial: 3001-9999	Group/Section: 210/100	Title: Engine EK04B002 USA/EUROPE, STD



Volvo Construction
Equipment
SJ101B

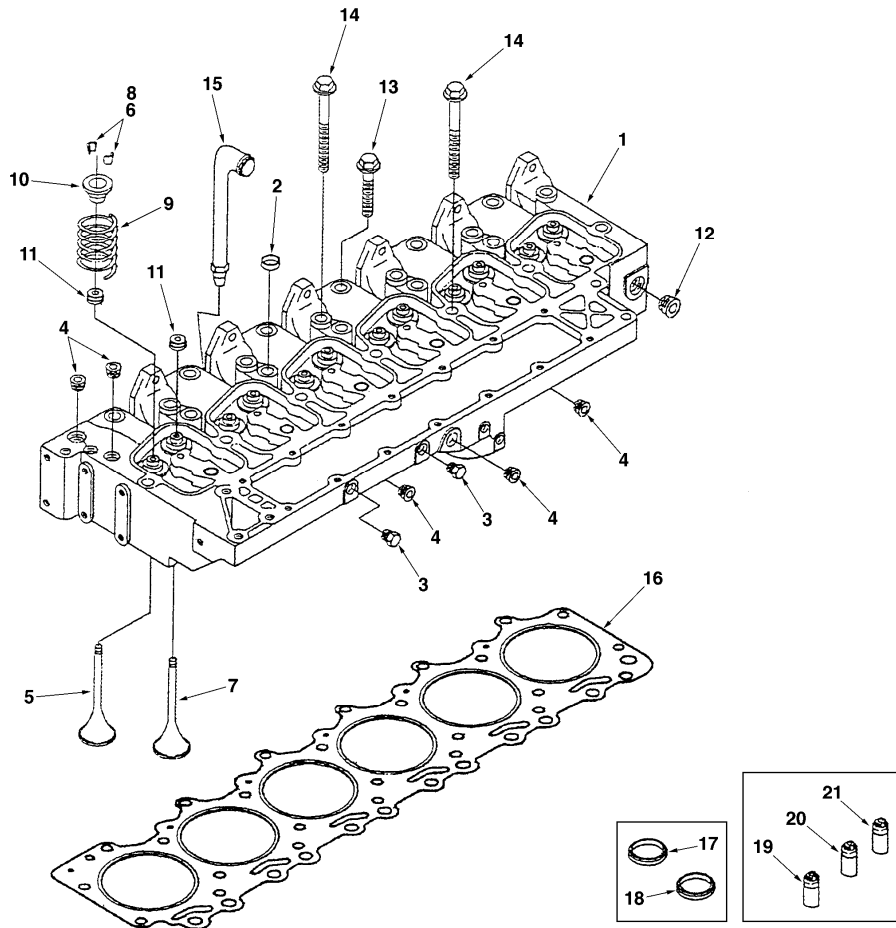
Section option	Kit	Option description
SAEK04B001		Without air pre-heater for engine
SAEK04B002		Air heater for engine
SAEK04C001		Engine block heater 120V
SAEK04C002		Engine block heater 240V

Q1-Q5	Option	Option description	
Q1 EK04B001	SAEK04B001	Without air pre-heater for engine	
Q2 EK04B002	SAEK04B002	Air heater for engine	
Q3 EK04C001 OPT	SAEK04C001	Engine block heater 120V	
Q4 EK04C002 OPT	SAEK04C002	Engine block heater 240V	

Pos	Part	Q1	Q2	Q3	Q4	Q5	PS	Kit	Description	Option(s)	Remark
1	SA1111-00422	1							Engine		TROPICAL

	SA1111-00132		1					Engine		STANDARD
2	SA9952-19016	1	1					Hose		
3	SA9312-00006	1	1					Clamp		
4	SA1111-00221	1	1					Connector		
5	SA9511-22025	1	1					O-ring		
6	SA9016-10603	3	3					Bolt		
7	SA2011-01080	1	1					Spacer		
8	SA2011-00500			1				Heater		120V,BLOCK
	SA2011-00490				1			Heater		240V,BLOCK
9	SA2011-00440			1				Heater		120V,OIL PAN
	SA2011-00430				1			Heater		240V,OIL PAN
10	SA9426-20080			1	1			Gasket		

Date: 2013/10/3	Image id: SJ102	Catalogue: 56125	Model: EW180
Brand: Volvo	Serial: 3001-9999	Group/Section: 211/100	Title: Cylinder head



Volvo Construction
Equipment Group
SJ102

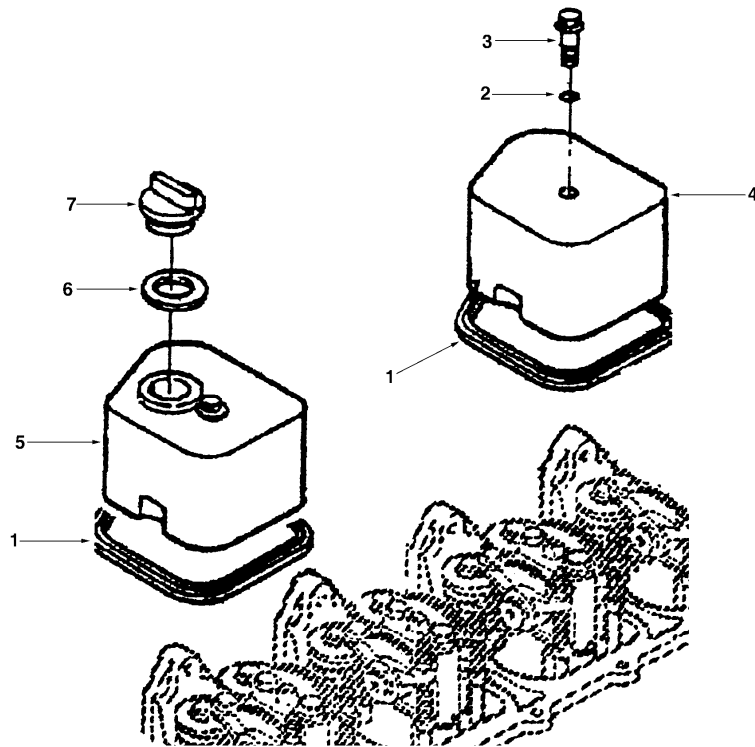
Section option	Kit	Option description
SAEK04B001		Without air pre-heater for engine
SAEK04B002		Air heater for engine

Q1-Q5	Option	Option description	
Q1 EK04B001	SAEK04B001	Without air pre-heater for engine	
Q2 EK04B002	SAEK04B002	Air heater for engine	

Pos	Part	Q1	Q2	Q3	Q4	Q5	PS	Kit	Description	Option(s)	Remark
1	SA3930420	1	1				SS		Head		
2	SA3812092	5	5						•Plug		
3	SA3906619	2	2						•Plug		
4	SA3008468	5	5						•Plug		
5	SA3802355	6	6						•Valve		INLET
	SA3920867	6	6				SS		••Valve		
6	SA3900250	12	12						••Collet		

7	SA3802356	6	6						•Valve		EXHAUST
	SA3920868	6	6				SS		••Valve		
8	SA3900250	12	12						••Collet		
9	SA3926700	12	12						•Spring		
10	SA3900299	12	12						•Retainer		
11	SA3901097	6	6				SS		•Seal		
	SA3921640	6	6						•Seal		
12	SA3008469	1	1						•Plug		
13	SA3920779	6	6						Bolt		
14	SA3920780	14	14						Bolt		
15	SA3926446	1	1						Pipe		
16	SA3282805	1	1				SS		Gasket		
17	SA3904105	REQ	REQ						Seat		EXHAUST
18	SA3906854	REQ	REQ						Seat		INLET
19	SA3904408	REQ	REQ						Guide		
20	SA3904409	REQ	REQ						Guide		
21	SA3906206	REQ	REQ						Guide		

Date: 2013/10/3	Image id: SJ103	Catalogue: 56125	Model: EW180
Brand: Volvo	Serial: 3001-9999	Group/Section: 211/200	Title: Valve cover



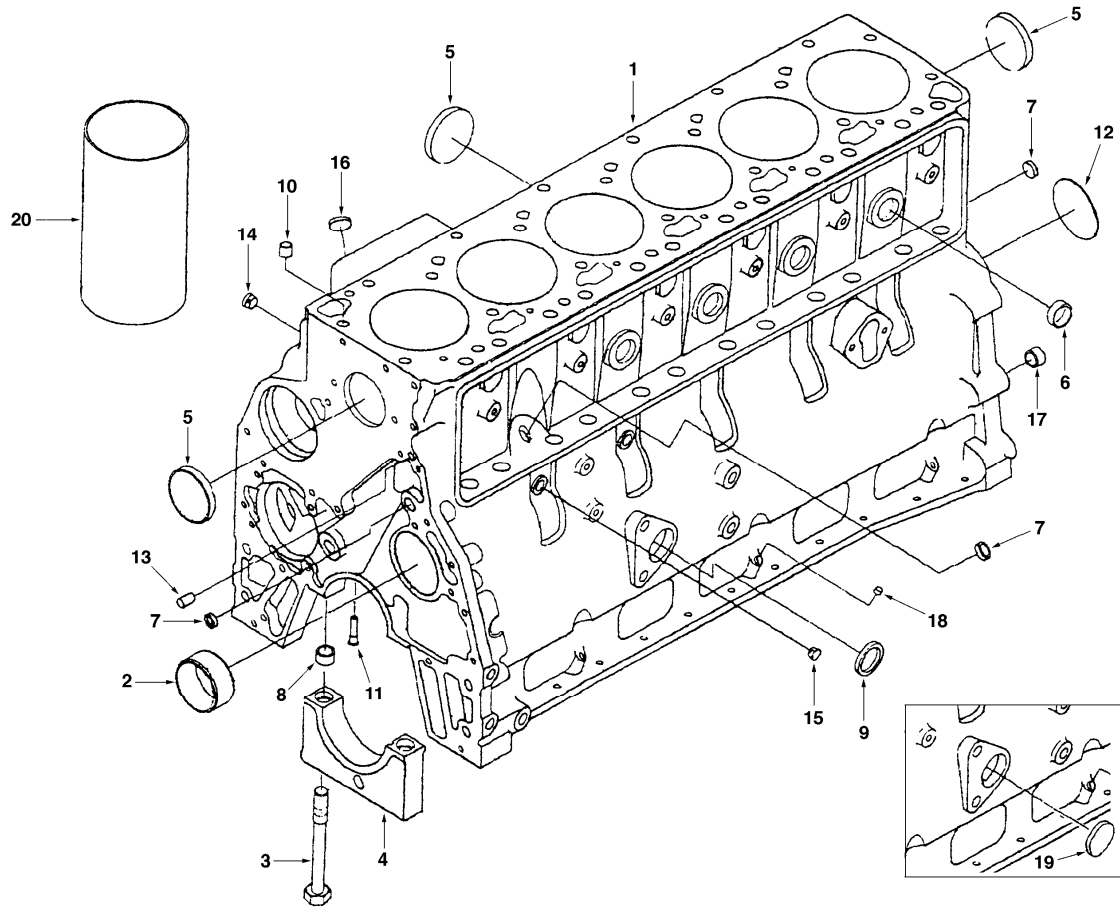
Volvo Construction
Equipment Group
SJ103

Section option	Kit	Option description
SAEK04B001		Without air pre-heater for engine
SAEK04B002		Air heater for engine

Q1-Q5	Option	Option description	
Q1 EK04B001	SAEK04B001	Without air pre-heater for engine	
Q2 EK04B002	SAEK04B002	Air heater for engine	

Pos	Part	Q1	Q2	Q3	Q4	Q5	PS	Kit	Description	Option(s)	Remark
1	SA3929795	6	6				SS		Gasket		
2	SA3928406	6	6				SS		Seal		
3	SA3907049	6	6						Screw		
4	SA3928404	5	5						Cover		
5	SA3928405	6	6						Cover		
6	SA3902363	1	1				SS		Seal		
7	SA3901895	1	1						Cap		

Date: 2013/10/3	Image id: SJ104A	Catalogue: 56125	Model: EW180
Brand: Volvo	Serial: 3001-9999	Group/Section: 212/100	Title: Cylinder block



Volvo Construction
Equipment
SJ104A

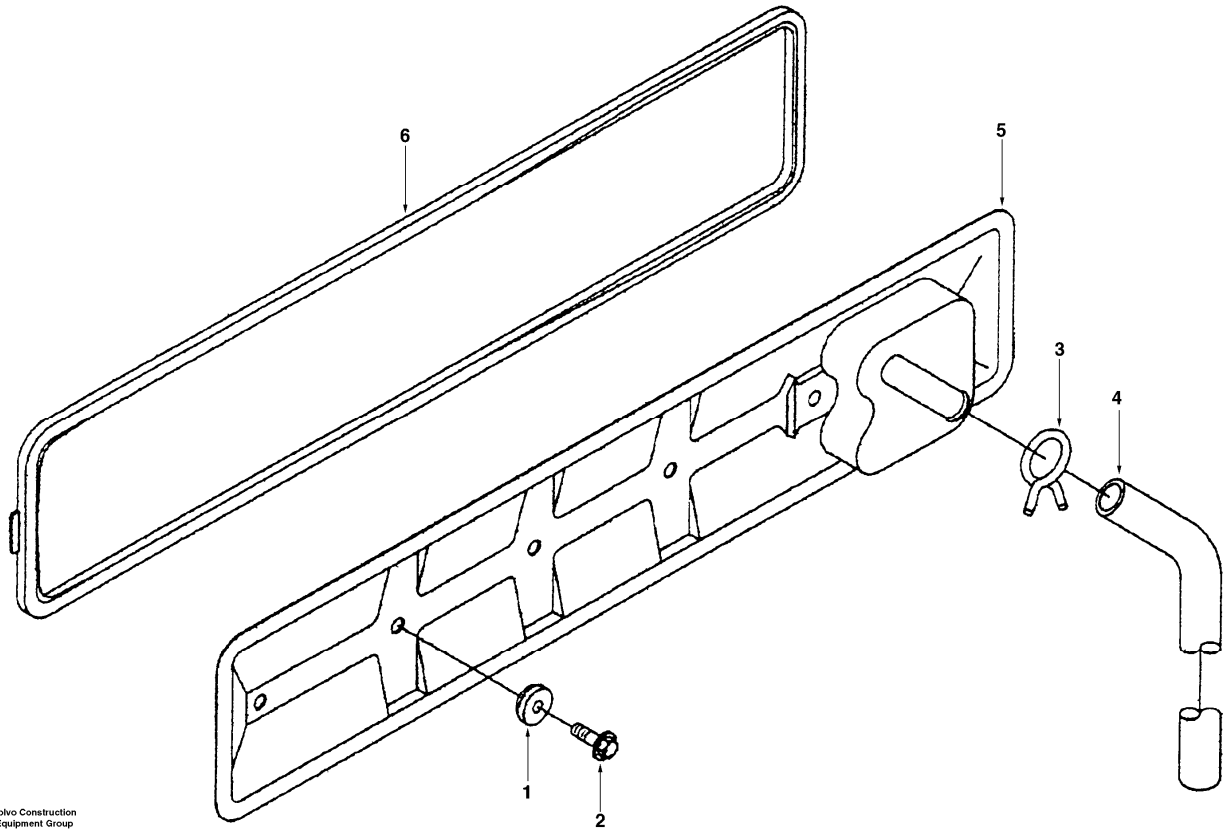
Section option	Kit	Option description
SAEK04B001		Without air pre-heater for engine
SAEK04B002		Air heater for engine

Q1-Q5	Option	Option description	
Q1 EK04B001	SAEK04B001	Without air pre-heater for engine	
Q2 EK04B002	SAEK04B002	Air heater for engine	

Pos	Part	Q1	Q2	Q3	Q4	Q5	PS	Kit	Description	Option(s)	Remark
1	SA3905810	1	1						Cylinder Block		
2	SA3901306	1	1						•Bushing		STD BORE
	SA3903242	REQ	REQ						•Bushing		1 BORE O SZ
	SA3904369	REQ	REQ						•Bushing		2-5 BORE O SZ
3	SA3904217	14	14						•Screw		
4	SA3900967	7	7				SS		•Cap		
5	SA3812090	6	6				SS		•Plug		

6	SA3007635	4	4						•Plug		
7	SA3900956	3	3						•Plug		
8	SA3900068	14	14						•Ring		
9	SA3900958	1	1					K	•Plug		
10	SA3902343	2	2					K	•Ring		
11	SA3937214	6	6					K	•Nozzle		
12	SA3900687	1	1					K	•Plug		
13	SA3900257	2	2					K	•Locating pin		
14	SA3008468	1	1					K	•Plug		
15	SA3678923	2	2					K	•Plug		
16	SA3920706	1	1					K	•Plug		
17	SA3908469	2	2					K	•Ring		
18	SA3900955	2	2					K	•Plug		
19	SA3905369	1	1					SS	Plug		
20	SA3904166	REQ	REQ					SS	Sleeve		STD BORE
100	SA3933220	1	1						Kit		SET,HARDWARE KIT

Date: 2013/10/3	Image id: SJ105	Catalogue: 56125	Model: EW180
Brand: Volvo	Serial: 3001-9999	Group/Section: 212/200	Title: Crankcase ventilation

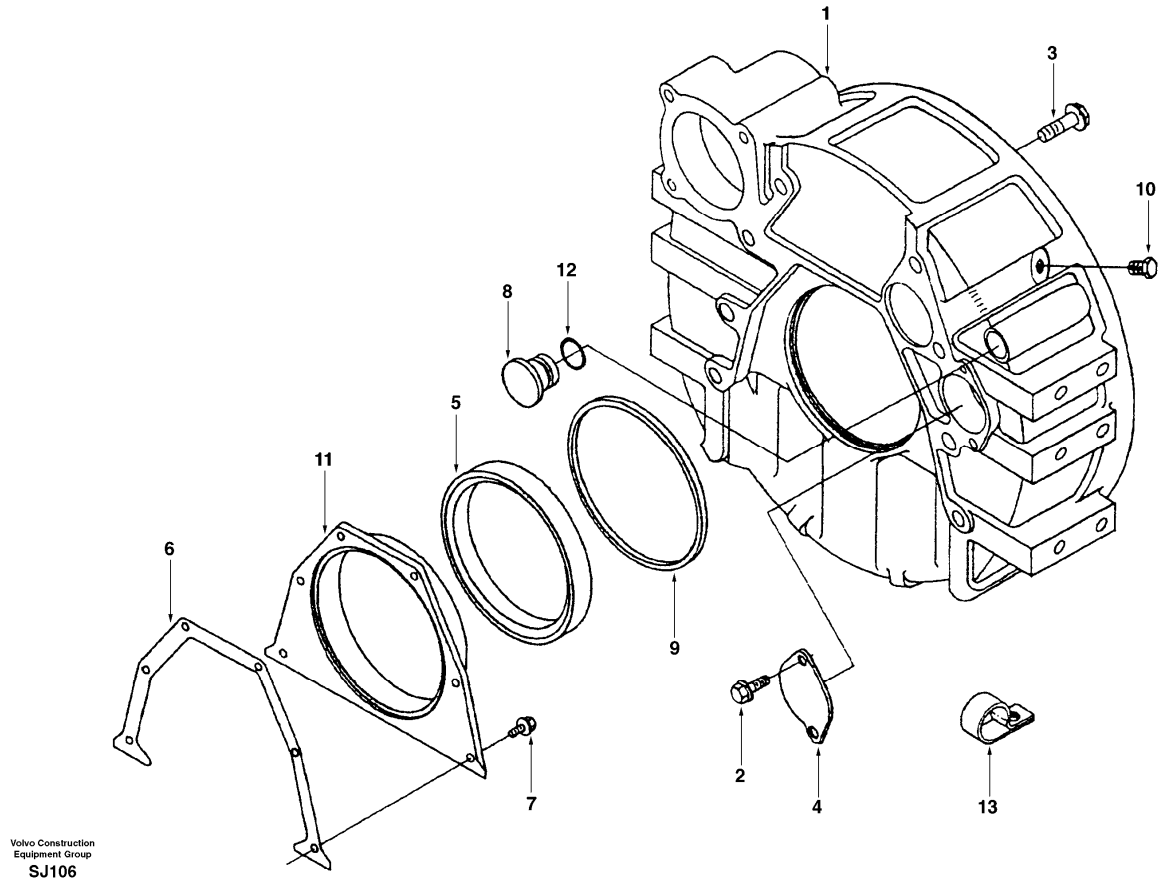


Section option	Kit	Option description
SAEK04B001		Without air pre-heater for engine
SAEK04B002		Air heater for engine

Q1-Q5	Option	Option description	
Q1 EK04B001	SAEK04B001	Without air pre-heater for engine	
Q2 EK04B002	SAEK04B002	Air heater for engine	

Pos	Part	Q1	Q2	Q3	Q4	Q5	PS	Kit	Description	Option(s)	Remark
1	SA3928759	4	4						Seal		
2	SA3900629	4	4						Screw		
3	SA3904230	1	1						Clamp		
4	SA9952-19017	1	1						Hose		
5	SA3927913	1	1						Cover		
6	SA3284623	1	1						Gasket		(SA3928832)

Date: 2013/10/3	Image id: SJ106	Catalogue: 56125	Model: EW180
Brand: Volvo	Serial: 3001-9999	Group/Section: 212/300	Title: Flywheel housing



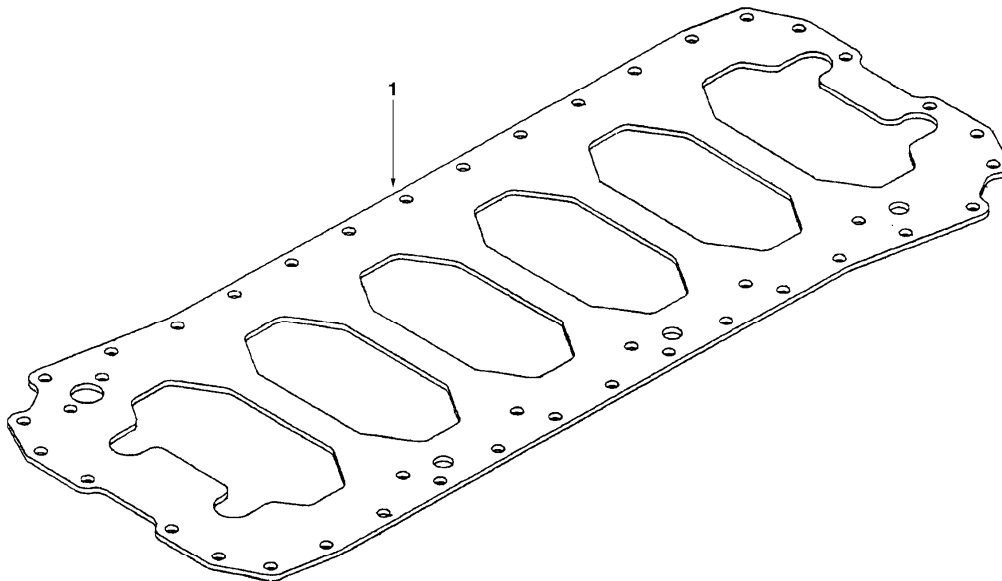
Section option	Kit	Option description
SAEK04B001		Without air pre-heater for engine
SAEK04B002		Air heater for engine

Q1-Q5	Option	Option description	
Q1 EK04B001	SAEK04B001	Without air pre-heater for engine	
Q2 EK04B002	SAEK04B002	Air heater for engine	

Pos	Part	Q1	Q2	Q3	Q4	Q5	PS	Kit	Description	Option(s)	Remark
1	SA3903282	1	1				SS		Flywheel Hsg		
2	SA3912072	2	2						Screw		
3	SA3920447	8	8						Screw		
4	SA3925234	1	1						Plate		
5	SA3926126	1	1						Seal		
6	SA3928493	1	1						Gasket		
7	SA3913638	6	6						Screw		

8	SA3910248	1	1						Plug		
9	SA3912473	1	1				SS		Seal		
10	SA3904181	1	1						Plug		
11	SA3921043	1	1				SS		Cover		
12	SA3910260	1	1						Seal		
13	SA3923610	1	1						Clip		

Date: 2013/10/3	Image id: SJ107	Catalogue: 56125	Model: EW180
Brand: Volvo	Serial: 3001-9999	Group/Section: 212/400	Title: Noise panel



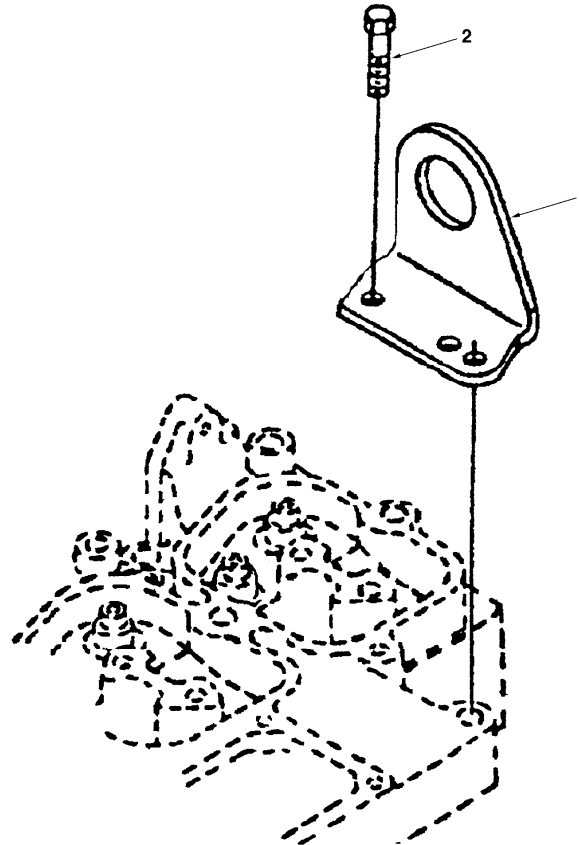
Volvo Construction
Equipment Group
SJ107

Section option	Kit	Option description
SAEK04B001		Without air pre-heater for engine
SAEK04B002		Air heater for engine

Q1-Q5	Option	Option description	
Q1 EK04B001	SAEK04B001	Without air pre-heater for engine	
Q2 EK04B002	SAEK04B002	Air heater for engine	

Pos	Part	Q1	Q2	Q3	Q4	Q5	PS	Kit	Description	Option(s)	Remark
1	SA3941556	1	1						Plate		

Date: 2013/10/3	Image id: SJ108	Catalogue: 56125	Model: EW180
Brand: Volvo	Serial: 3001-9999	Group/Section: 212/500	Title: Lifting eye



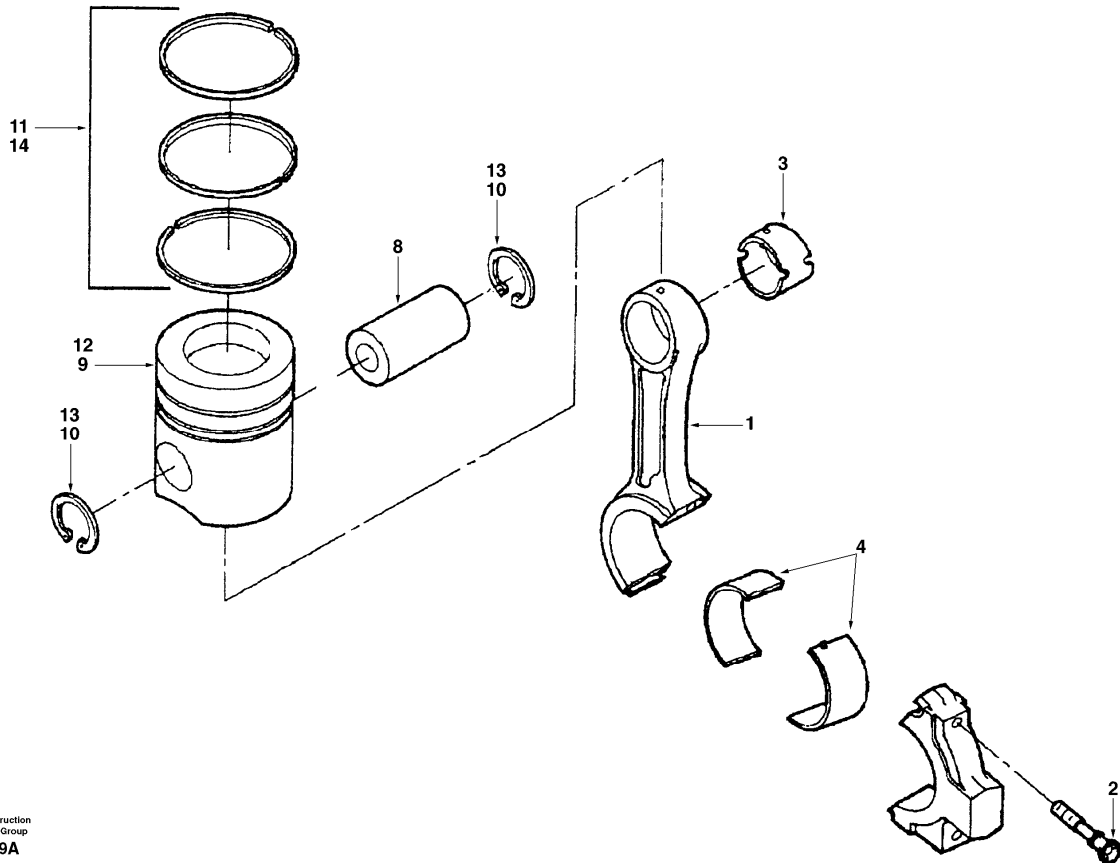
Volvo Construction
Equipment Group
SJ108

Section option	Kit	Option description
SAEK04B001		Without air pre-heater for engine
SAEK04B002		Air heater for engine

Q1-Q5	Option	Option description	
Q1 EK04B001	SAEK04B001	Without air pre-heater for engine	
Q2 EK04B002	SAEK04B002	Air heater for engine	

Pos	Part	Q1	Q2	Q3	Q4	Q5	PS	Kit	Description	Option(s)	Remark
1	SA3908118	1	1						Bracket		
2	SA3910495	2	2						Bolt		

Date: 2013/10/3	Image id: SJ109A	Catalogue: 56125	Model: EW180
Brand: Volvo	Serial: 3001-9999	Group/Section: 213/100	Title: Connecting rod and piston



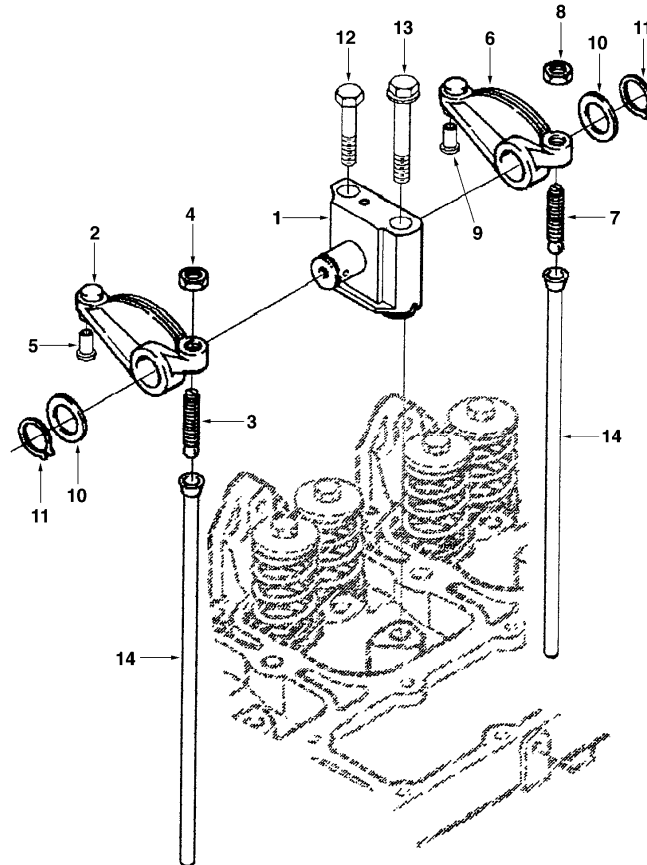
Section option	Kit	Option description
SAEK04B001		Without air pre-heater for engine
SAEK04B002		Air heater for engine

Q1-Q5	Option	Option description	
Q1 EK04B001	SAEK04B001	Without air pre-heater for engine	
Q2 EK04B002	SAEK04B002	Air heater for engine	

Pos	Part	Q1	Q2	Q3	Q4	Q5	PS	Kit	Description	Option(s)	Remark
1	SA3925232	6	6				SS		Connecting Rod		SS 3942581
2	SA3900919	2	2						•Screw		
3	SA3901085	1	1				SS		•Bushing		
4	SA3901170	2	2						Bearing		STD
	SA3901171	REQ	REQ						Bearing		0.25MM O SZ
	SA3901172	REQ	REQ						Bearing		0.50MM O SZ
	SA3901173	REQ	REQ						Bearing		0.75MM O SZ

	SA3901174	REQ	REQ						Bearing		1.00MM O SZ
7	SA3802746	1	1						•Ring		STD
8	SA3901793	6	6						Pin		
9	SA3802764	6	6						Piston		0.50MM O SZ
10	SA3901706	2	2						•Ring		
11	SA3802422	1	1						•Ring		0.50MM O SZ
12	SA3802765	6	6						Piston		1.00MM O SZ
13	SA3901706	2	2						•Ring		
14	SA3802423	1	1						•Ring		1.00MM O SZ

Date: 2013/10/3	Image id: SJ110	Catalogue: 56125	Model: EW180
Brand: Volvo	Serial: 3001-9999	Group/Section: 214/200	Title: Rocker arm



Volvo Construction
Equipment Group
SJ110

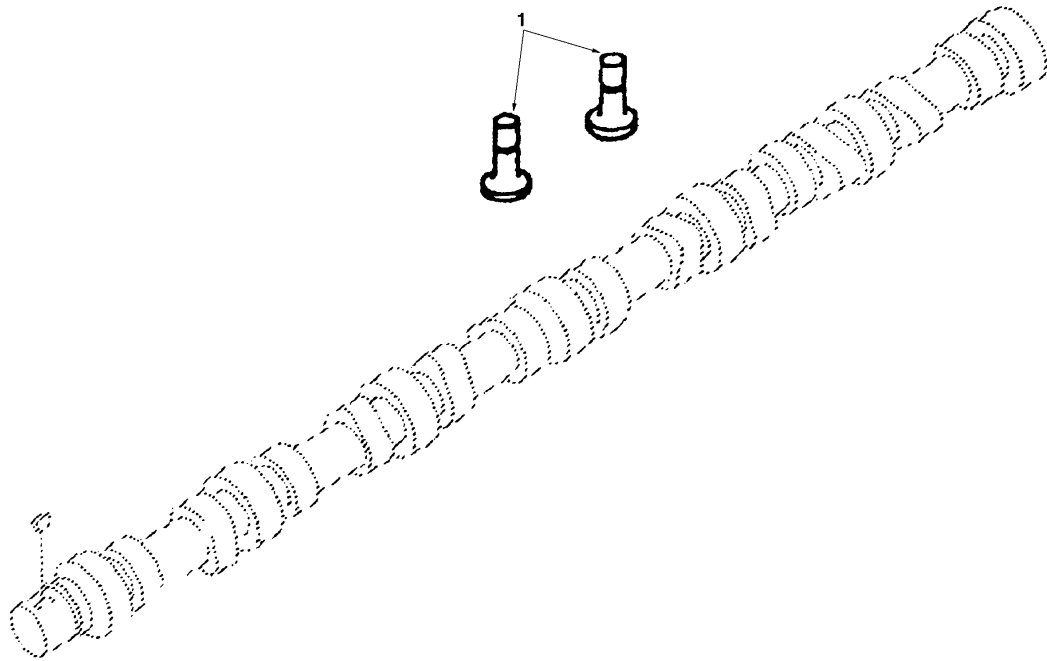
Section option	Kit	Option description
SAEK04B001		Without air pre-heater for engine
SAEK04B002		Air heater for engine

Q1-Q5	Option	Option description	
Q1 EK04B001	SAEK04B001	Without air pre-heater for engine	
Q2 EK04B002	SAEK04B002	Air heater for engine	

Pos	Part	Q1	Q2	Q3	Q4	Q5	PS	Kit	Description	Option(s)	Remark
1	SA3922488	6	6						Support		
2	SA3910811	6	6						Rocker Arm		INLET
3	SA3900706	1	1				SS		•Screw		
4	SA3927692	1	1						•Nut		
5	SA3900705	1	1				NS		•Insert		
6	SA3910810	6	6						Rocker Arm		EXHAUST
7	SA3900706	1	1				SS		•Screw		

8	SA3927692	1	1						•Nut		
9	SA3900705	1	1				NS		•Insert		
10	SA3900245	12	12						Washer		
11	SA3900242	12	12						Ring		
12	SA3901221	6	6						Bolt		
13	SA3920781	6	6						Bolt		
14	SA3284377	12	12						Bar		(SA3923262)

Date: 2013/10/3	Image id: SJ111	Catalogue: 56125	Model: EW180
Brand: Volvo	Serial: 3001-9999	Group/Section: 214/300	Title: Valve tappet



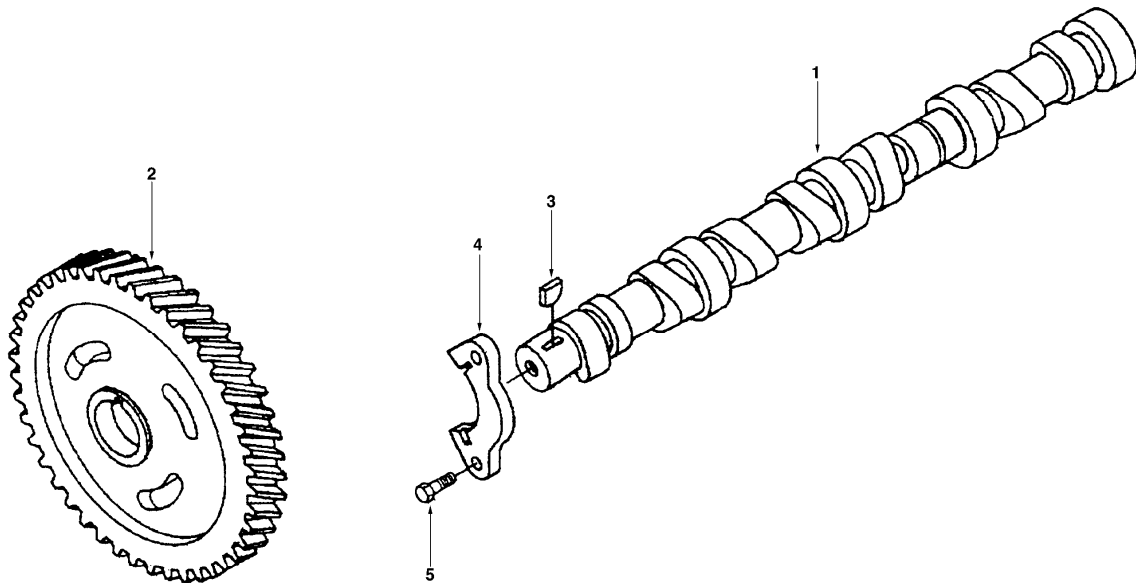
Volvo Construction
Equipment Group
SJ111

Section option	Kit	Option description
SAEK04B001		Without air pre-heater for engine
SAEK04B002		Air heater for engine

Q1-Q5	Option	Option description	
Q1 EK04B001	SAEK04B001	Without air pre-heater for engine	
Q2 EK04B002	SAEK04B002	Air heater for engine	

Pos	Part	Q1	Q2	Q3	Q4	Q5	PS	Kit	Description	Option(s)	Remark
1	SA3931623	12	12						Tappet		(SA3925031)

Date: 2013/10/3	Image id: SJ112	Catalogue: 56125	Model: EW180
Brand: Volvo	Serial: 3001-9999	Group/Section: 215/100	Title: Camshaft



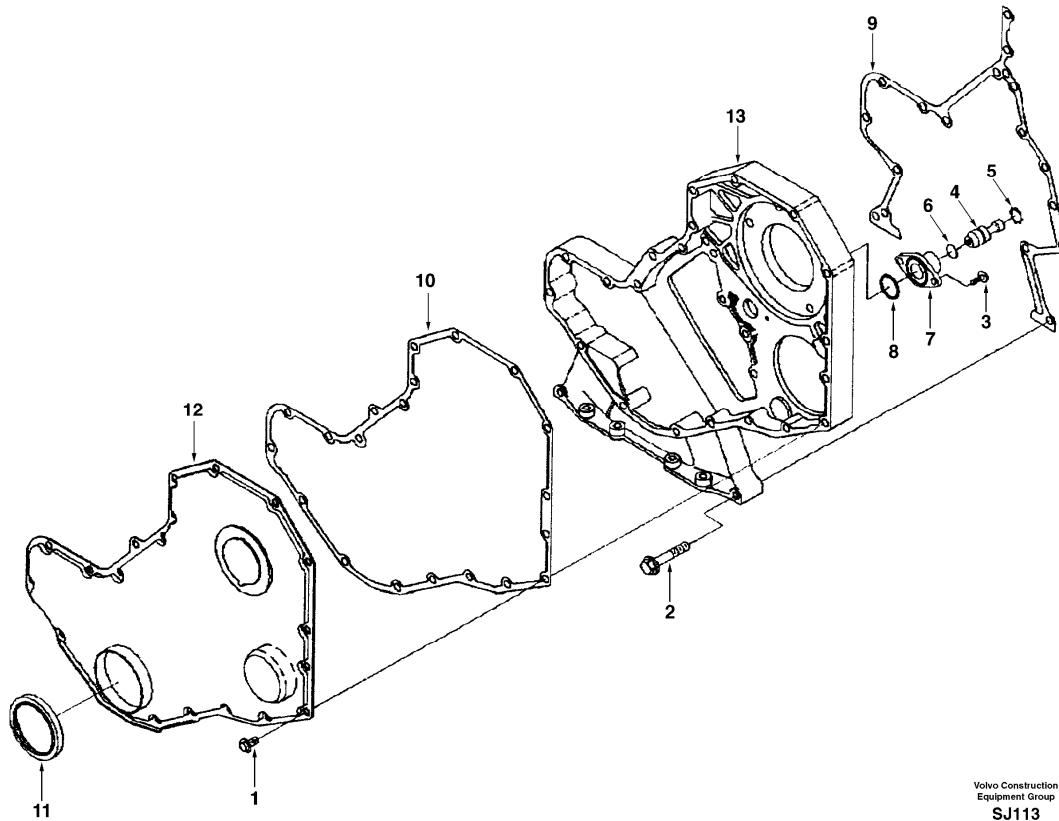
Volvo Construction
Equipment Group
SJ112

Section option	Kit	Option description
SAEK04B001		Without air pre-heater for engine
SAEK04B002		Air heater for engine

Q1-Q5	Option	Option description	
Q1 EK04B001	SAEK04B001	Without air pre-heater for engine	
Q2 EK04B002	SAEK04B002	Air heater for engine	

Pos	Part	Q1	Q2	Q3	Q4	Q5	PS	Kit	Description	Option(s)	Remark
1	SA3929886	1	1						Camshaft		
2	SA3929030	1	1						Gear		
3	SA3902332	1	1						Key		
4	SA3927155	1	1						Support		
5	SA3900227	2	2						Screw		

Date: 2013/10/3	Image id: SJ113	Catalogue: 56125	Model: EW180
Brand: Volvo	Serial: 3001-9999	Group/Section: 215/200	Title: Timing gear casing



Volvo Construction
Equipment Group
SJ113

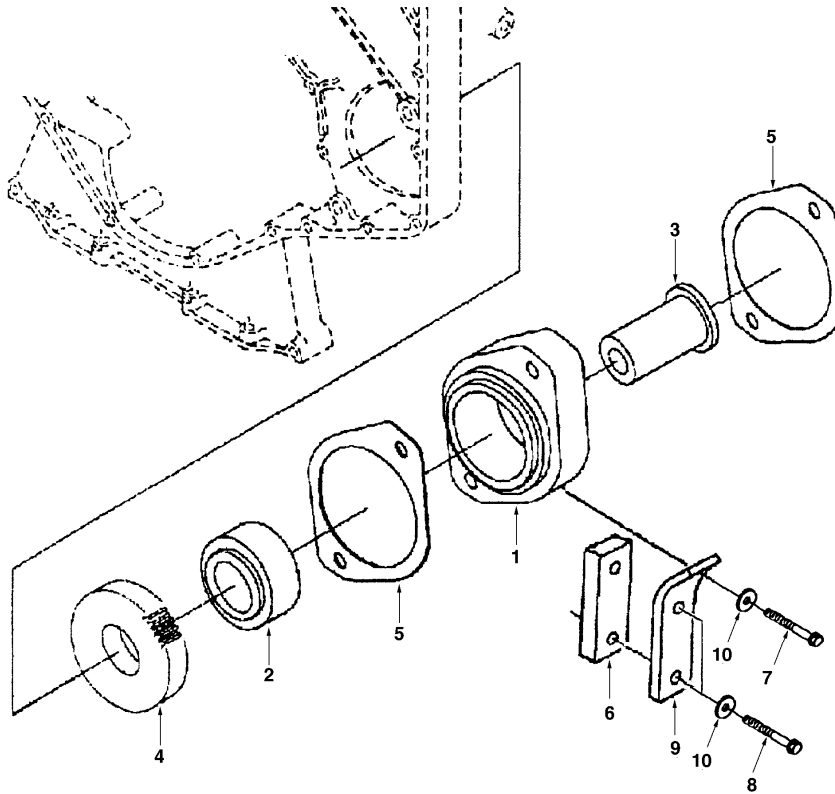
Section option	Kit	Option description
SAEK04B001		Without air pre-heater for engine
SAEK04B002		Air heater for engine

Q1-Q5	Option	Option description	
Q1 EK04B001	SAEK04B001	Without air pre-heater for engine	
Q2 EK04B002	SAEK04B002	Air heater for engine	

Pos	Part	Q1	Q2	Q3	Q4	Q5	PS	Kit	Description	Option(s)	Remark
1	SA3925883	13	13						Bolt		
2	SA3900633	11	11						Screw		
3	SA3907998	2	2						Screw		
4	SA3903924	1	1						Pin		
5	SA3904849	1	1						Ring		
6	SA3913994	1	1						Seal		
7	SA3913995	1	1				SS		Housing		

8	SA3915772	1	1				SS		Seal		
9	SA3916131	1	1				SS		Gasket		
10	SA3918673	1	1						Gasket		
11	SA3900709	1	1				SS		Seal		
12	SA3918675	1	1				SS		Cover		
13	SA3929565	1	1				SS		Housing		

Date: 2013/10/3	Image id: 1004909	Catalogue: 56125	Model: EW180
Brand: Volvo	Serial: 3001-9999	Group/Section: 215/300	Title: Pump drive power take-off



Volvo Construction
Equipment
1004909

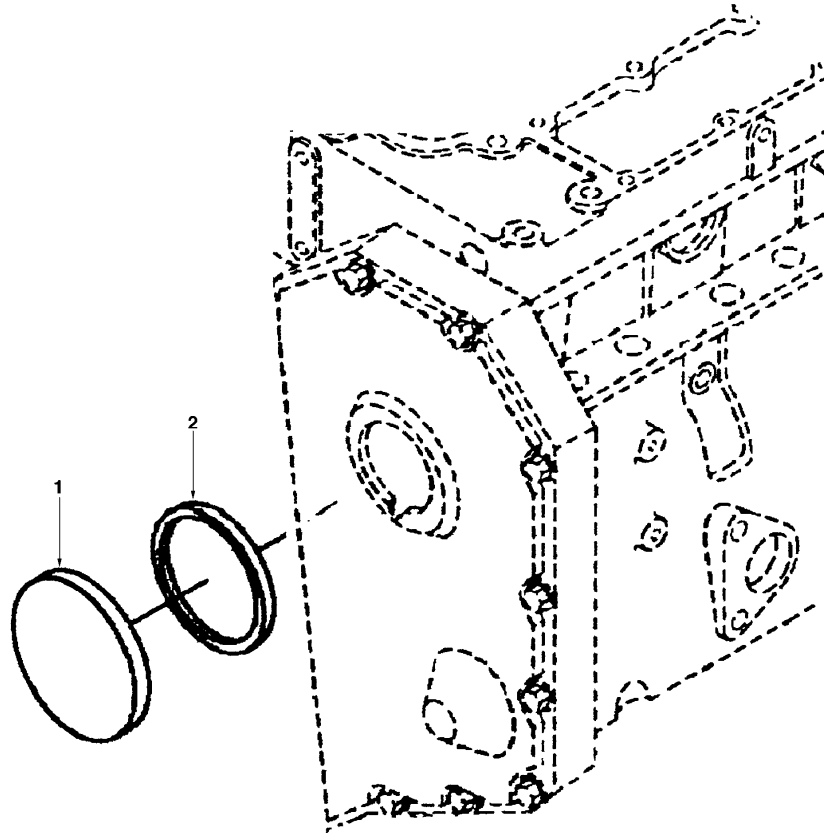
Section option	Kit	Option description
SAEK04B001		Without air pre-heater for engine
SAEK04B002		Air heater for engine

Q1-Q5	Option	Option description	
Q1 EK04B001	SAEK04B001	Without air pre-heater for engine	
Q2 EK04B002	SAEK04B002	Air heater for engine	

Pos	Part	Q1	Q2	Q3	Q4	Q5	PS	Kit	Description	Option(s)	Remark
	SA3923319	1	1				SS		Drive Unit		
1	SA3923237	1	1						•Adapter		
2	SA3902601	1	1						•Roller Bearing		
3	SA3923242	1	1						•Shaft		
4	SA3928860	1	1				SS		•Gear		
5	SA3008400	2	2						Gasket		
6	SA1112-00550	1	1						Plate		

7	SA9011-11205	1	1						Bolt		
8	SA9011-21213	2	2						Bolt		
9	SA3931825	1	1						Brace		
10	SA9211-12000	3	3						Washer		

Date: 2013/10/3	Image id: SJ116	Catalogue: 56125	Model: EW180
Brand: Volvo	Serial: 3001-9999	Group/Section: 215/500	Title: Tachometer drive cover



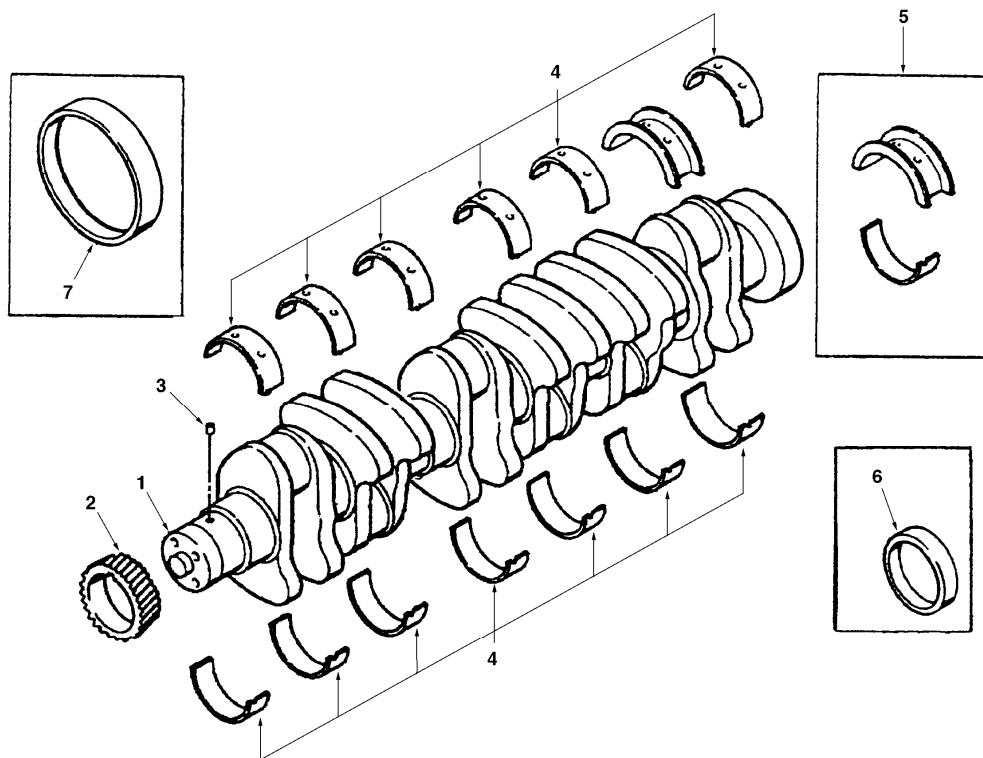
Volvo Construction
Equipment Group
SJ116

Section option	Kit	Option description
SAEK04B001		Without air pre-heater for engine
SAEK04B002		Air heater for engine

Q1-Q5	Option	Option description	
Q1 EK04B001	SAEK04B001	Without air pre-heater for engine	
Q2 EK04B002	SAEK04B002	Air heater for engine	

Pos	Part	Q1	Q2	Q3	Q4	Q5	PS	Kit	Description	Option(s)	Remark
1	SA3903463	1	1						Cover		
2	SA3903475	1	1				SS		Seal		

Date: 2013/10/3	Image id: SJ117A	Catalogue: 56125	Model: EW180
Brand: Volvo	Serial: 3001-9999	Group/Section: 216/100	Title: Crankshaft



Volvo Construction
Equipment
SJ117A

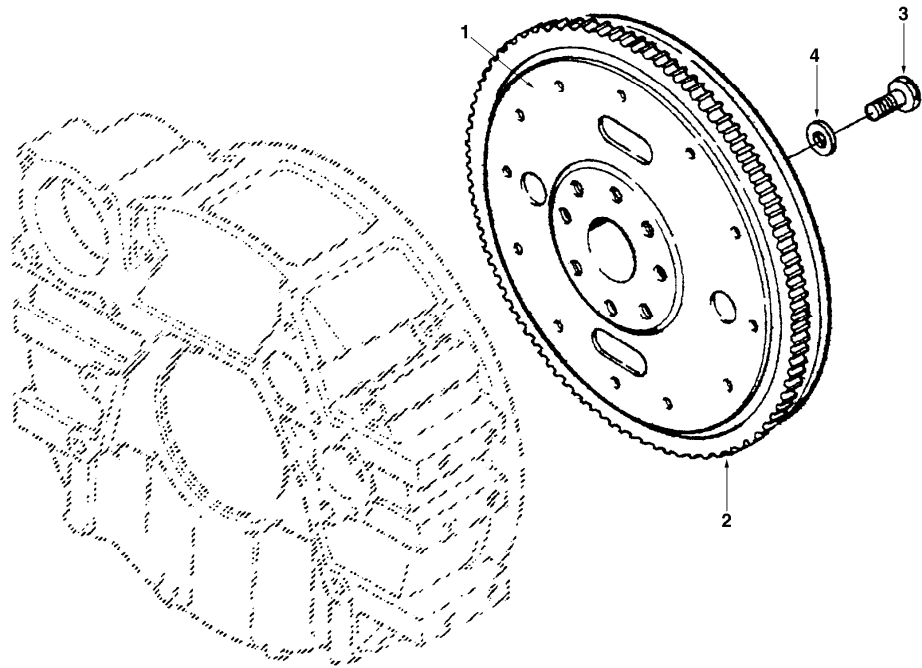
Section option	Kit	Option description
SAEK04B001		Without air pre-heater for engine
SAEK04B002		Air heater for engine

Q1-Q5	Option	Option description	
Q1 EK04B001	SAEK04B001	Without air pre-heater for engine	
Q2 EK04B002	SAEK04B002	Air heater for engine	

Pos	Part	Q1	Q2	Q3	Q4	Q5	PS	Kit	Description	Option(s)	Remark
1	SA3905730	1	1						Crankshaft		
2	SA3929026	1	1				SS		•Gear		
3	SA3904483	1	1						•Locating pin		
4	SA3802070	1	1						Bearing		STANDARD
	SA3802071	1	1						Bearing		0.25MM O SZ
	SA3802072	1	1						Bearing		0.50MM O SZ
	SA3802073	1	1						Bearing		0.75MM O SZ

	SA3802074	1	1					Bearing		0.75MM O SZ
5	SA3802082	1	1				SS	Bearing		0.50MM O SZ THRUST
	SA3800331	1	1					Bearing		(SA3802084)1.00MM O SZ THRUST
6	SA3906080	1	1				SS	Sleeve		FRONT
7	SA3906081	1	1				SS	Sleeve		REAR

Date: 2013/10/3	Image id: SJ118	Catalogue: 56125	Model: EW180
Brand: Volvo	Serial: 3001-9999	Group/Section: 216/200	Title: Flywheel

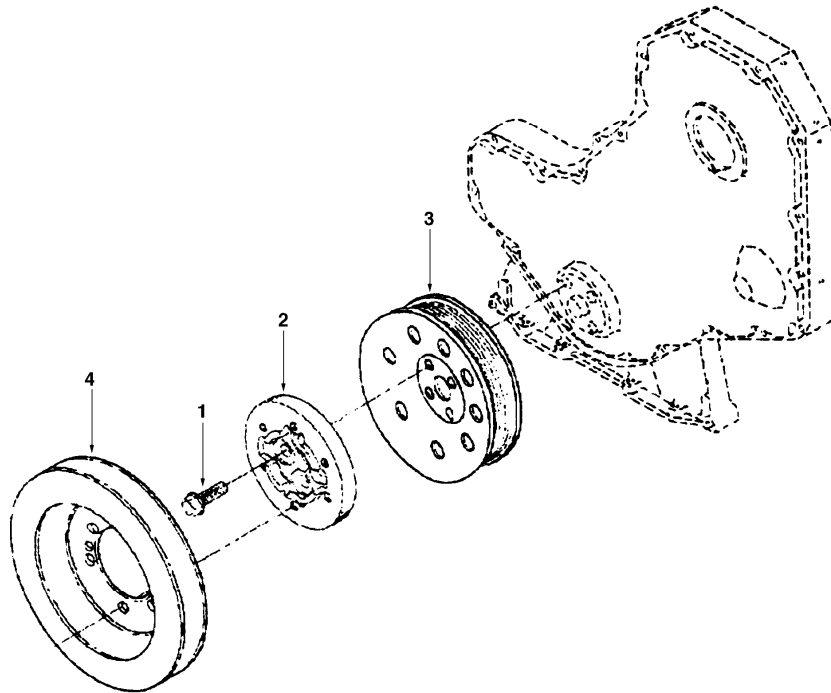


Volvo Construction
Equipment Group
SJ118

Q1-Q5	Option	Option description	
Q1 EK04B001	SAEK04B001	Without air pre-heater for engine	
Q2 EK04B002	SAEK04B002	Air heater for engine	

Pos	Part	Q1	Q2	Q3	Q4	Q5	PS	Kit	Description	Option(s)	Remark
1	SA3973363	1	1						Flywheel		
2	SA3905427	1	1						•Gear		
3	SA3901395	8	8						Screw		
4	SA3900269	8	8						Washer		

Date: 2013/10/3	Image id: SJ119	Catalogue: 56125	Model: EW180
Brand: Volvo	Serial: 3001-9999	Group/Section: 216/300	Title: Vibration damper



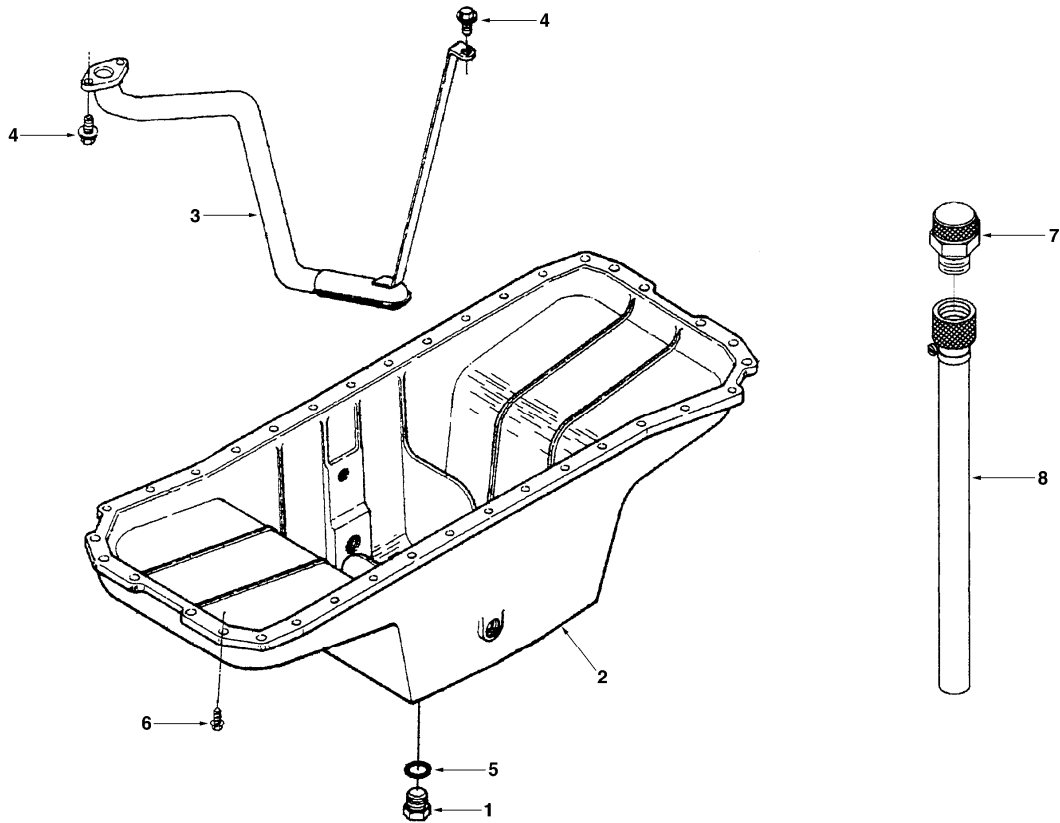
Volvo Construction
Equipment Group
SJ119

Section option	Kit	Option description
SAEK04B001		Without air pre-heater for engine
SAEK04B002		Air heater for engine

Q1-Q5	Option	Option description	
Q1 EK04B001	SAEK04B001	Without air pre-heater for engine	
Q2 EK04B002	SAEK04B002	Air heater for engine	

Pos	Part	Q1	Q2	Q3	Q4	Q5	PS	Kit	Description	Option(s)	Remark
1	SA3924584	4	4						Screw		
2	SA3924579	1	1						Adapter		
3	SA3914494	1	1						Pulley		
4	SA3925233	1	1						Damper		

Date: 2013/10/3	Image id: SJ120	Catalogue: 56125	Model: EW180
Brand: Volvo	Serial: 3001-9999	Group/Section: 217/100	Title: Oil sump



Volvo Construction
Equipment Group
SJ120

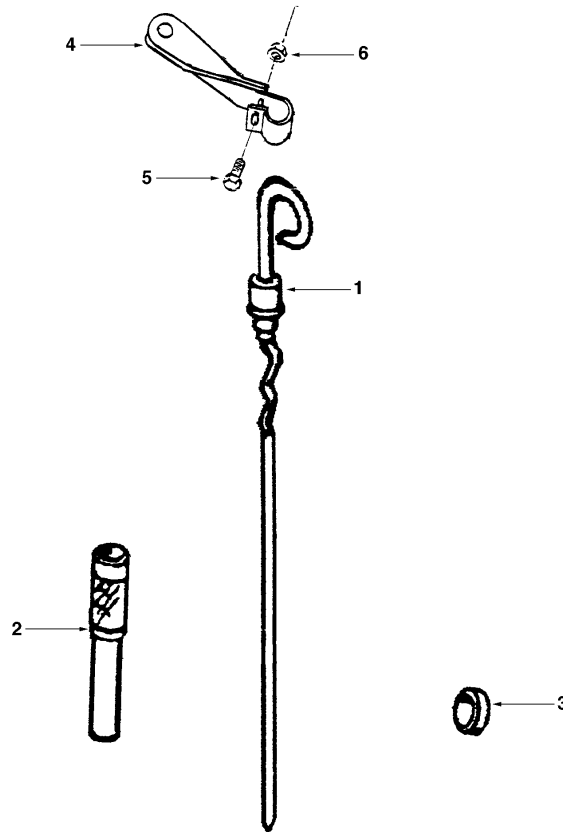
Section option	Kit	Option description
SAEK04B001		Without air pre-heater for engine
SAEK04B002		Air heater for engine

Q1-Q5	Option	Option description	
Q1 EK04B001	SAEK04B001	Without air pre-heater for engine	
Q2 EK04B002	SAEK04B002	Air heater for engine	

Pos	Part	Q1	Q2	Q3	Q4	Q5	PS	Kit	Description	Option(s)	Remark
1	SA3282266	1	1						Plug		
2	SA3863104	1	1						Oil Pan		
3	SA3863105	1	1						Connector		
4	SA3900630	3	3						Screw		
5	SA3902425	1	1						Washer		
6	SA3907860	36	36						Screw		
7	SA3283505	1	1						Valve		

8	SA3282945	1	1					Adapter		
---	-----------	---	---	--	--	--	--	---------	--	--

Date: 2013/10/3	Image id: SJ121	Catalogue: 56125	Model: EW180
Brand: Volvo	Serial: 3001-9999	Group/Section: 217/200	Title: Oil dipstick



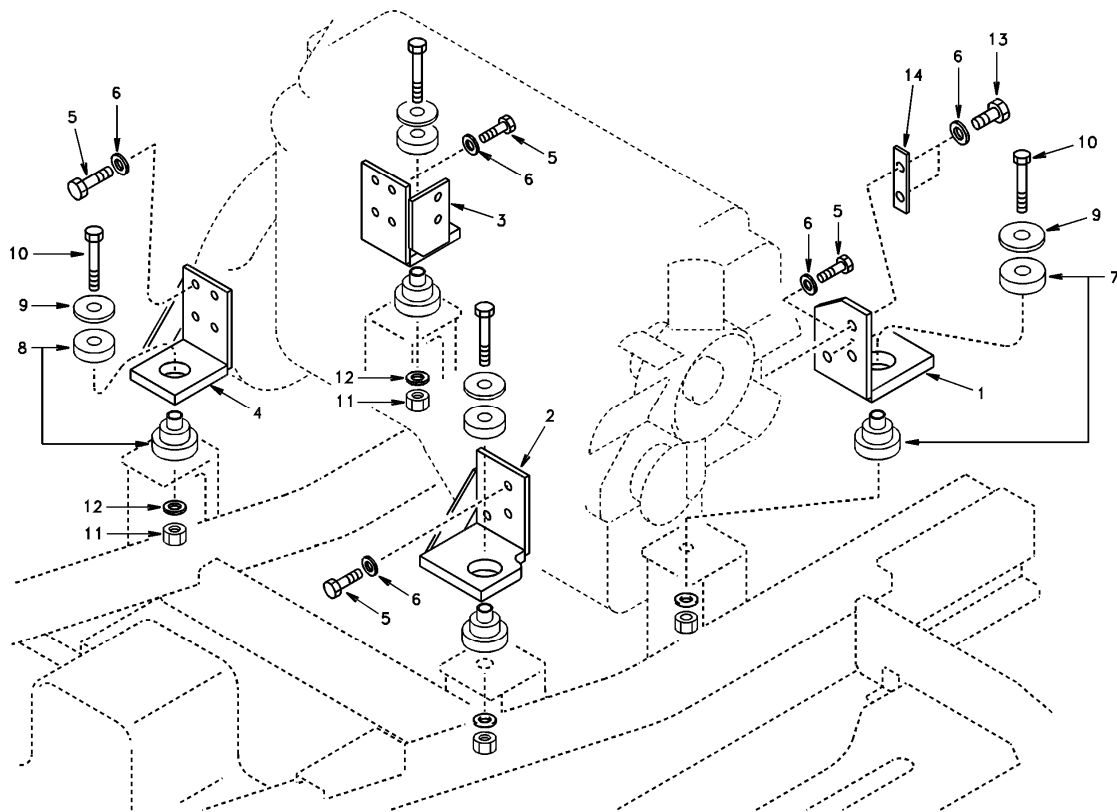
Volvo Construction
Equipment Group
SJ121

Section option	Kit	Option description
SAEK04B001		Without air pre-heater for engine
SAEK04B002		Air heater for engine

Q1-Q5	Option	Option description	
Q1 EK04B001	SAEK04B001	Without air pre-heater for engine	
Q2 EK04B002	SAEK04B002	Air heater for engine	

Pos	Part	Q1	Q2	Q3	Q4	Q5	PS	Kit	Description	Option(s)	Remark
1	SA3283825	1	1						Dipstick		
2	SA3283537	1	1						Pipe		
3	SA3900955	1	1						Plug		
4	SA3915152	1	1						Brace		
5	SA3900629	1	1						Screw		
6	SA3900240	1	1						Nut		

Date: 2013/10/3	Image id: SJ122A	Catalogue: 56125	Model: EW180
Brand: Volvo	Serial: 3001-9999	Group/Section: 218/100	Title: Engine mount



Volvo Construction
Equipment Group
SJ122A

Section option	Kit	Option description
SAEK00A001		Basic Machine EW170

Q1-Q5	Option	Option description
Q1 EK00A001	SAEK00A001	Basic Machine EW170

Pos	Part	Q1	Q2	Q3	Q4	Q5	PS	Kit	Description	Option(s)	Remark
1	SA1112-00480	1							Bracket		
2	SA1112-00471	1							Bracket		
3	SA1112-00520	1							Bracket		
4	SA1112-00510	1							Bracket		
5	SA9011-11207	12							Bolt		
6	VOE955923	14							Spring washer		
7	SA1112-00050	2							Cushion		FRONT
8	SA1112-00060	2							Cushion		REAR
9	SA2012-00110	4					SS		Plate		

Thank you so much for reading.
Please click the “Buy Now!”
button below to download the
complete manual.



After you pay.

You can download the most
perfect and complete manual in
the world immediately.

Our support email:

ebooklibonline@outlook.com