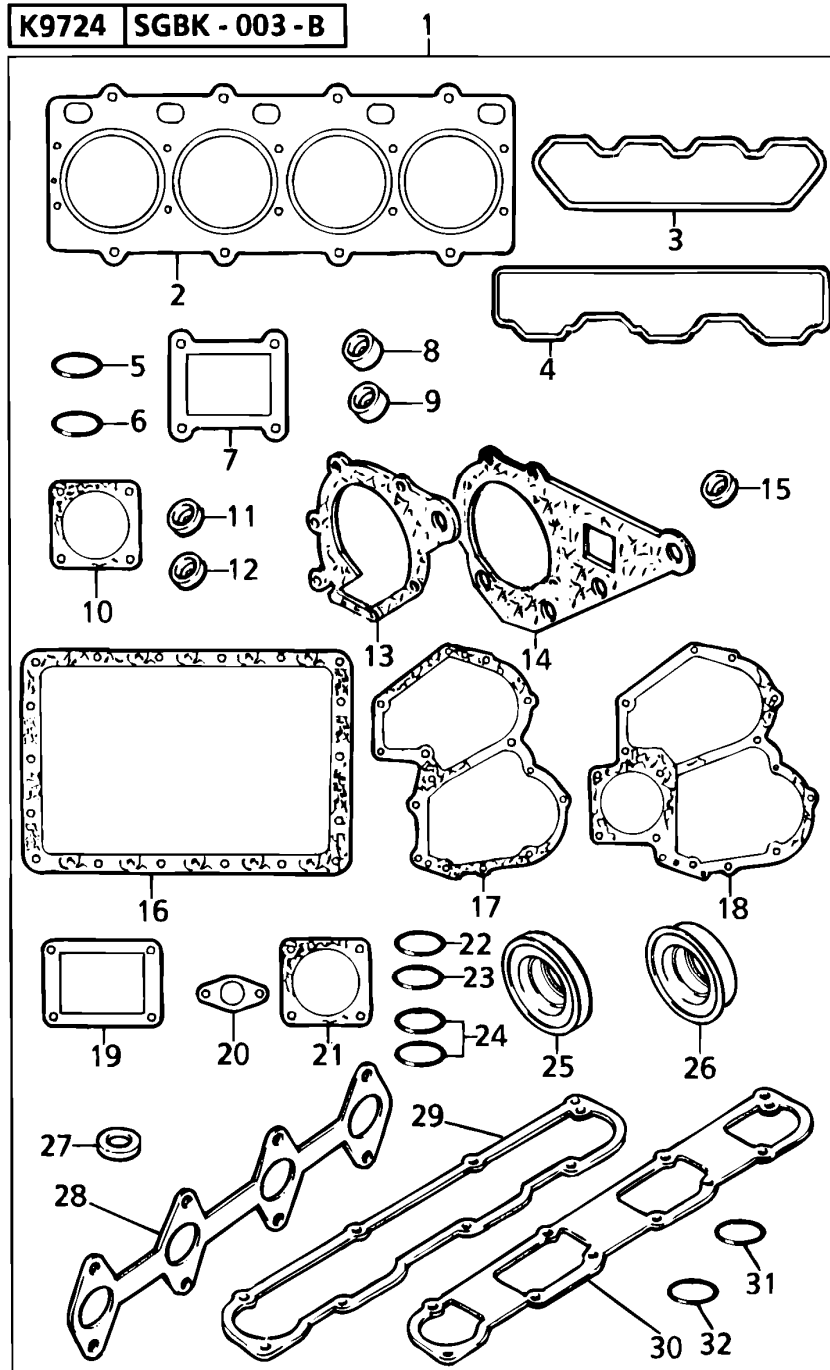


Date: <b>2013/12/17</b>	Image id: <b>A88T1</b>	Catalogue: <b>10012</b>	Model: <b>EW50 VV</b>
Brand: <b>Volvo</b>	Serial: <b>10151-99999</b>	Group/Section: <b>210/50</b>	Title: <b>Engine gasket kit</b>

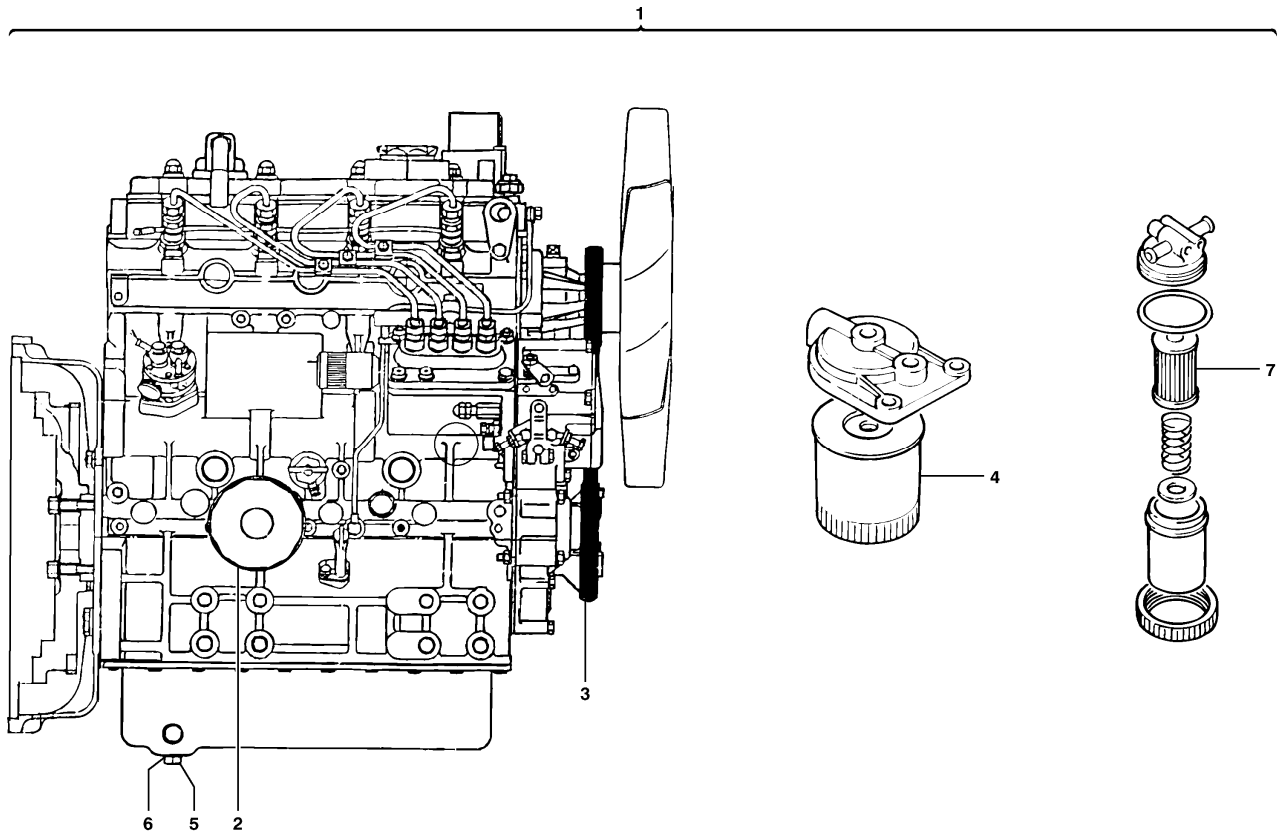


Volvo Construction  
Equipment  
A88T1

Q1-Q5	Option	Option description	
Q1	256.10151		

Pos	Part	Q1	Q2	Q3	Q4	Q5	PS	Kit	Description	Option(s)	Remark
1	PJ195907120	1							Sealing Kit		
2	PJ111147460	1					SS		Cyl Head Gasket		
3	PJ052109072	1							Gasket		
4	PJ052109074	1							Gasket		
5	PJ052109076	1							O-ring		
6	PJ052100400	1							Seal		
7	PJ145996710	1					SS		Seal		
8	PJ120406050	4							Seal		
9	PJ120406070	4							Seal		
10	PJ314990013	1							Seal		
11	PJ140996270	4							Washer		
12	PJ131426230	4							Seal		
13	PJ145996051	1							Seal		
14	PJ145996670	1					SS		Seal		
15	PJ131426200	4							Seal		
16	PJ110996860	1							Seal		
17	PJ165996550	1					SS		Seal		
18	PJ165996540	1							Seal		
19	PJ131426320	1					NS		Shim		
20	PJ130996130	1					NS		Seal		
21	PJ165996110	1							Seal		
22	PJ052300600	1							O-ring		
24	PJ052100100	2							O-ring		
25	PJ198636160	1							Seal		
26	PJ050209083	1							Seal		
27	PJ140996260	1							Washer		
28	PJ135996780	1							Seal		
29	VOE15033923	1							Gasket		(PJ135996880)
30	PJ135996870	1							Seal		
31	PJ052109076	1							O-ring		
32	VOE11712577	1							O-ring		(PJ052109078)

Date: <b>2013/12/17</b>	Image id: <b>1006489</b>	Catalogue: <b>10012</b>	Model: <b>EW50 VV</b>
Brand: <b>Volvo</b>	Serial: <b>10151-99999</b>	Group/Section: <b>210/100</b>	Title: <b>Diesel engine</b>

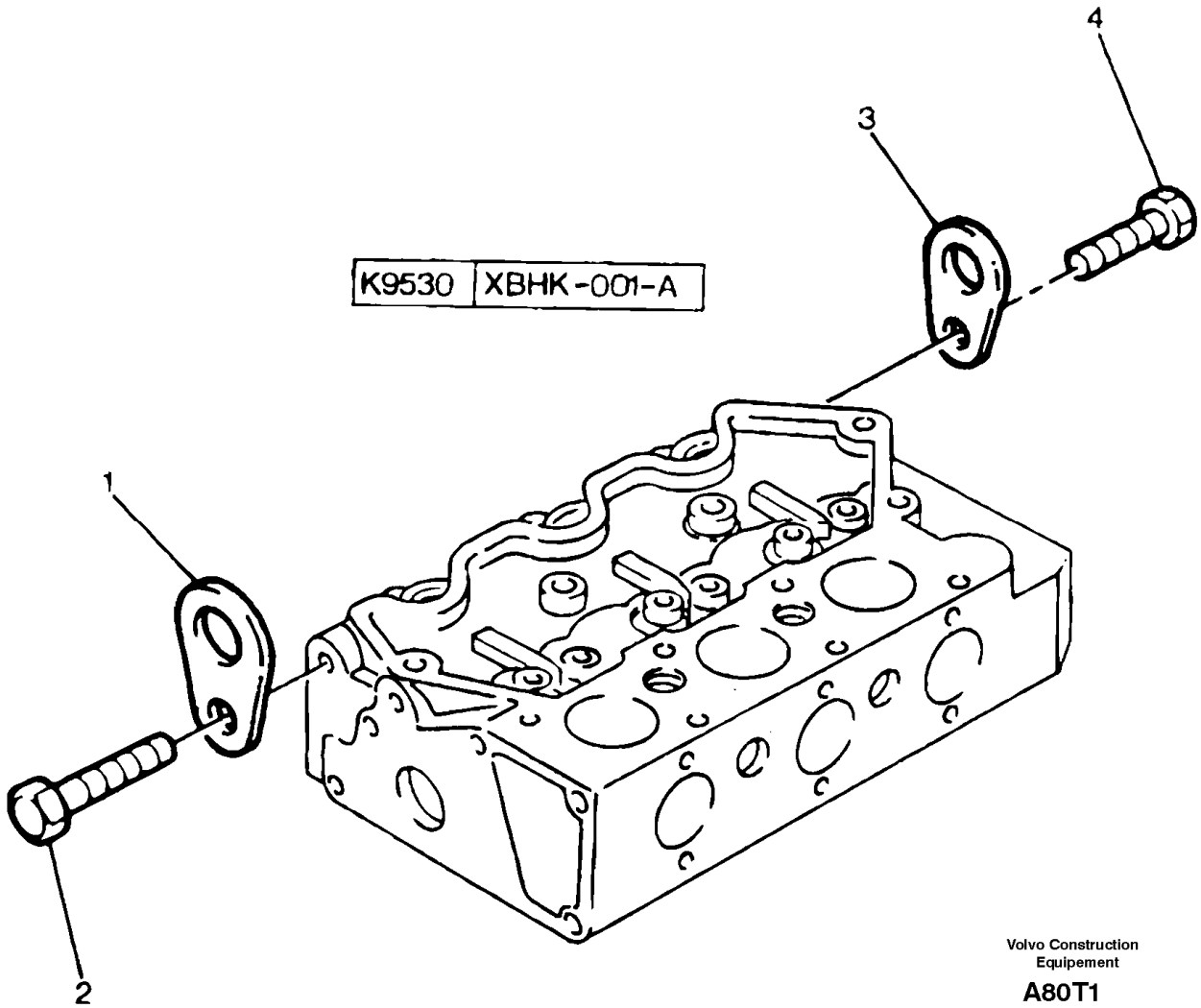


Volvo Construction  
Equipment  
1006489

Q1-Q5	Option	Option description	
Q1 256.10151			

Pos	Part	Q1	Q2	Q3	Q4	Q5	PS	Kit	Description	Option(s)	Remark
1	PJ5370213	1					OP		Engine		
2	PJ7413694	1							Oil Filter		
2	PJ7413694/10	1					SS		Filter Kit		
3	PJ7414802	1							Belt		
4	PJ7413693	1							Fuel filter		
4	PJ7413693/10	1					SS		Filter Kit		
5	PJ7413690	2							Plug		
6	PJ7413691	2							Bushing		
7	VOE11715846	1							Fuel filter insert		(PJ7412921)
7	PJ7412921/20	1					SS		Filter Kit		

Date: <b>2013/12/17</b>	Image id: <b>A80T1</b>	Catalogue: <b>10012</b>	Model: <b>EW50 VV</b>
Brand: <b>Volvo</b>	Serial: <b>10151-99999</b>	Group/Section: <b>210/500</b>	Title: <b>Engine lifting</b>

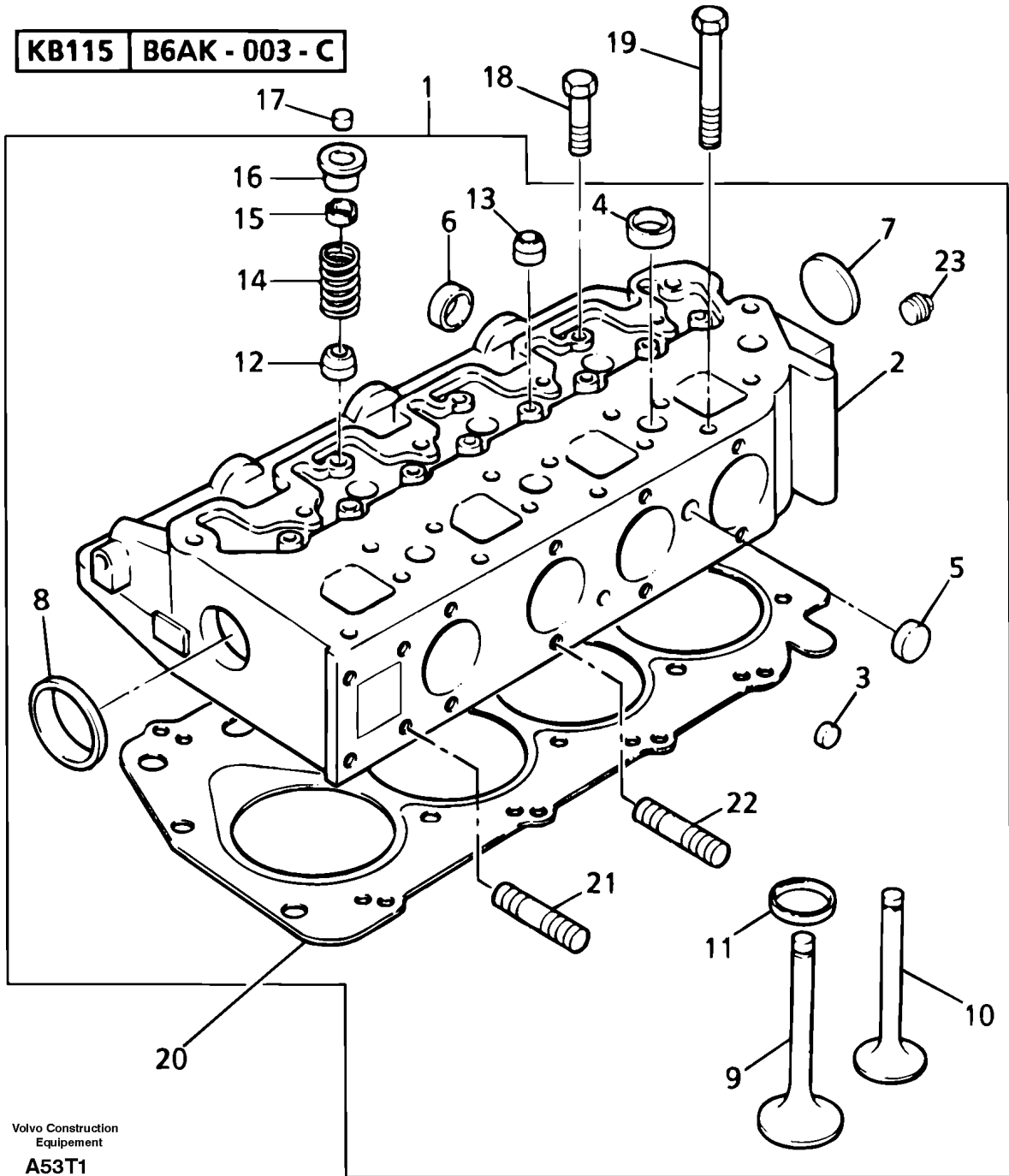


Volvo Construction  
Equipment  
**A80T1**

Q1-Q5	Option	Option description	
Q1 256.10151			

Pos	Part	Q1	Q2	Q3	Q4	Q5	PS	Kit	Description	Option(s)	Remark
1	PJ195816540	1							Plate		(PJ195816370)
2	PJ011510816	1							Screw		
3	PJ195816540	1							Plate		(PJ195816370)
4	PJ011510816	1							Screw		

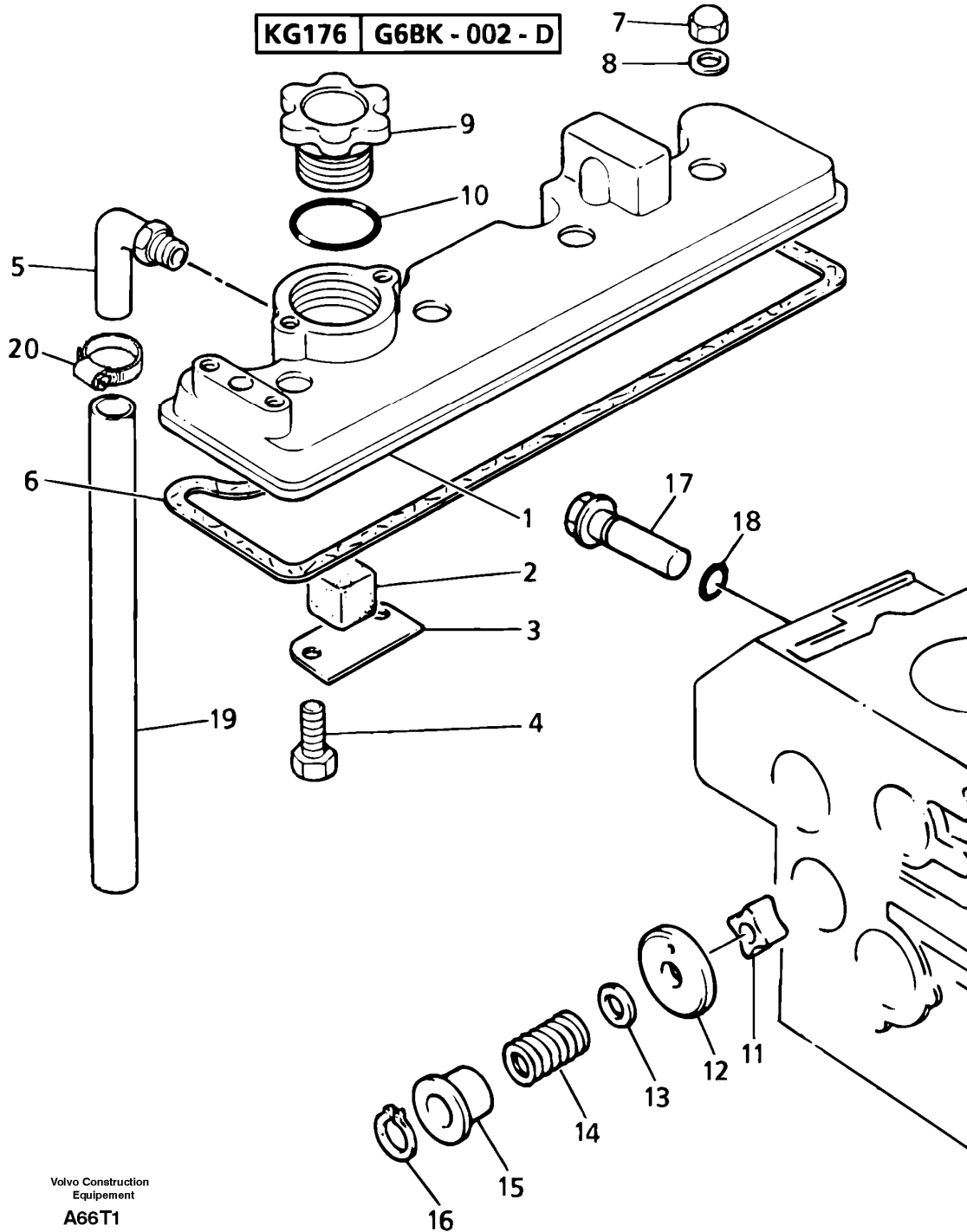
Date: <b>2013/12/17</b>	Image id: <b>A53T1</b>	Catalogue: <b>10012</b>	Model: <b>EW50 VV</b>
Brand: <b>Volvo</b>	Serial: <b>10151-99999</b>	Group/Section: <b>211/100</b>	Title: <b>Cylinder head</b>



Q1-Q5	Option	Option description	
Q1	256.10151		

Pos	Part	Q1	Q2	Q3	Q4	Q5	PS	Kit	Description	Option(s)	Remark
1	PJ111017420	1							Cyl Head Kit		
2		1							•Cylinder head		ORDER ITEM NO 1
3	PJ064200010	3					OP		•Plug		
4	PJ064200018	7							•Plug		
5	PJ064200025	3							•Plug		
6	PJ064200025	3							•Plug		
7	PJ064200030	1							•Plug		
8	PJ064200030	1							•Plug		
9	PJ120166350	4							•Valve		
10	PJ120176360	4							•Valve		
11	PJ110136390	4					NS		•Socket		
12	PJ120406070	4							•Seal		
13	PJ120406050	4							•Seal		
14	PJ198216700	8							•Spring		
15	PJ120226070	16							•Cone		
16	PJ120186080	8							•Cap		
17	PJ120216040	8							Cap		
18	PJ111136370	4					OP		Screw		
19	PJ111136360	14					OP		Screw		
20	PJ111147460	1					SS		Cyl Head Gasket		

Date: <b>2013/12/17</b>	Image id: <b>A66T1</b>	Catalogue: <b>10012</b>	Model: <b>EW50 VV</b>
Brand: <b>Volvo</b>	Serial: <b>10151-99999</b>	Group/Section: <b>211/300</b>	Title: <b>Lubrication oil filler and breather</b>

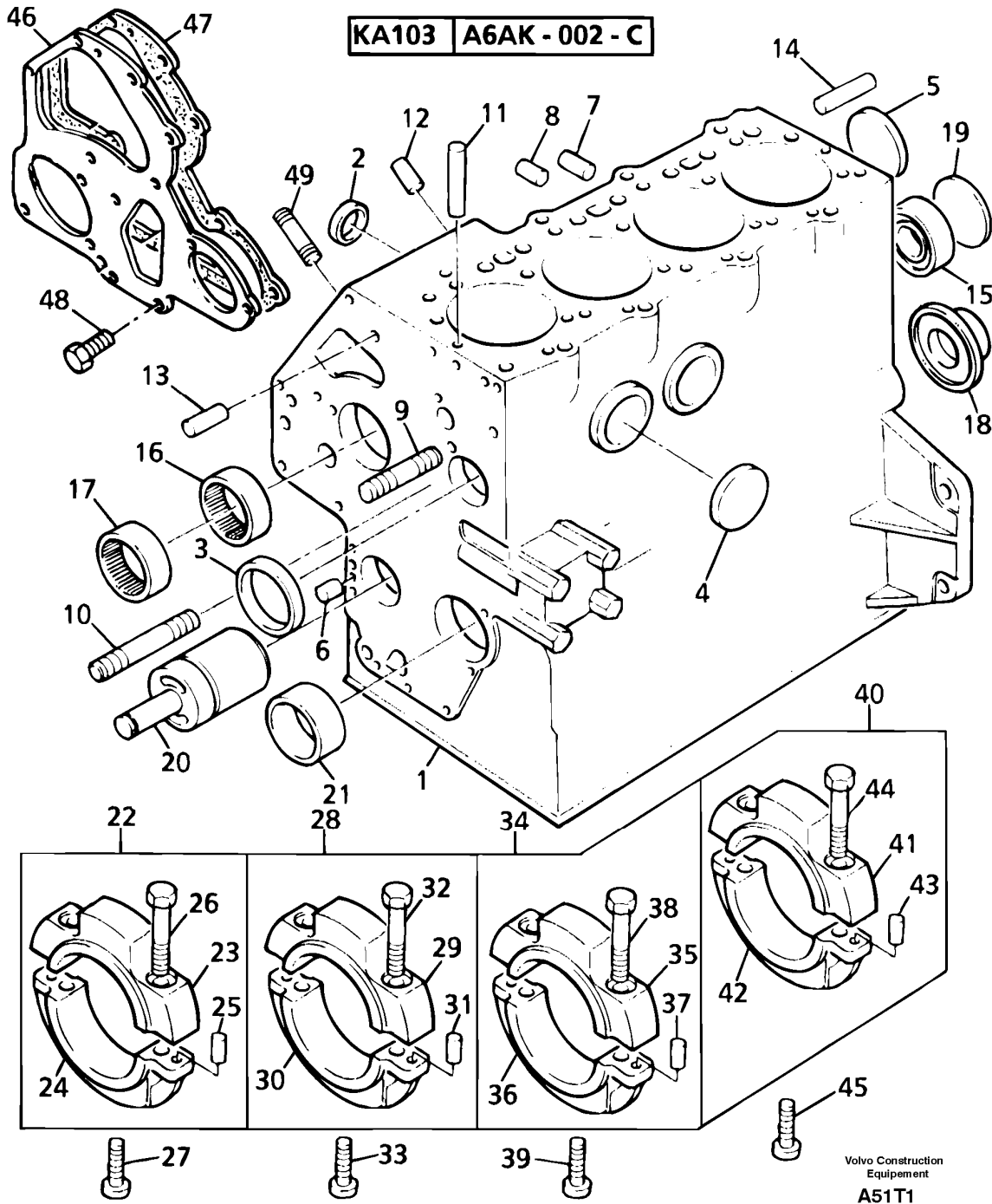


Q1-Q5	Option	Option description	
Q1	256.10151		

Pos	Part	Q1	Q2	Q3	Q4	Q5	PS	Kit	Description	Option(s)	Remark
1	PJ111026150	1							Cover		
2	PJ110666090	1							•Gauze		
3	PJ110666050	1					OP		•Plate		
4	PJ011300612	2					OP		•Bolt		
5	PJ140986581	1					OP		•Pipe		
6	PJ052109072	1							Gasket		
7	PJ024600010	4							Nut		
8	PJ131996200	4							Seal		
9	PJ198436010	1					SS		Plug		
10	PJ052100400	1							Seal		
11	PJ140166140	1					OP		Rotor		
12	PJ140116140	1					OP		Cover		
13	PJ199286150	REQ					OP		Shim		THICK = 0,10mm/0,0039in
13	PJ199286160	REQ					OP		Shim		THICK = 0,15mm/0,0059in
13	PJ199286170	REQ					OP		Shim		THICK = 0,20mm/0,0079in
13	PJ199286180	REQ					OP		Shim		THICK = 0,50mm/0,0197in
14	PJ198216720	1					OP		Spring		
15	PJ199236540	1					OP		Cup		
16	PJ036800010	1					OP		Snap Ring		
17	PJ140036220	1							Pressure switch		
18	VOE11712577	1							O-ring		(PJ052109078)
19	PJ068109036	1							Hose		



Date: <b>2013/12/17</b>	Image id: <b>A51T1</b>	Catalogue: <b>10012</b>	Model: <b>EW50 VV</b>
Brand: <b>Volvo</b>	Serial: <b>10151-99999</b>	Group/Section: <b>212/100</b>	Title: <b>Cylinder block</b>

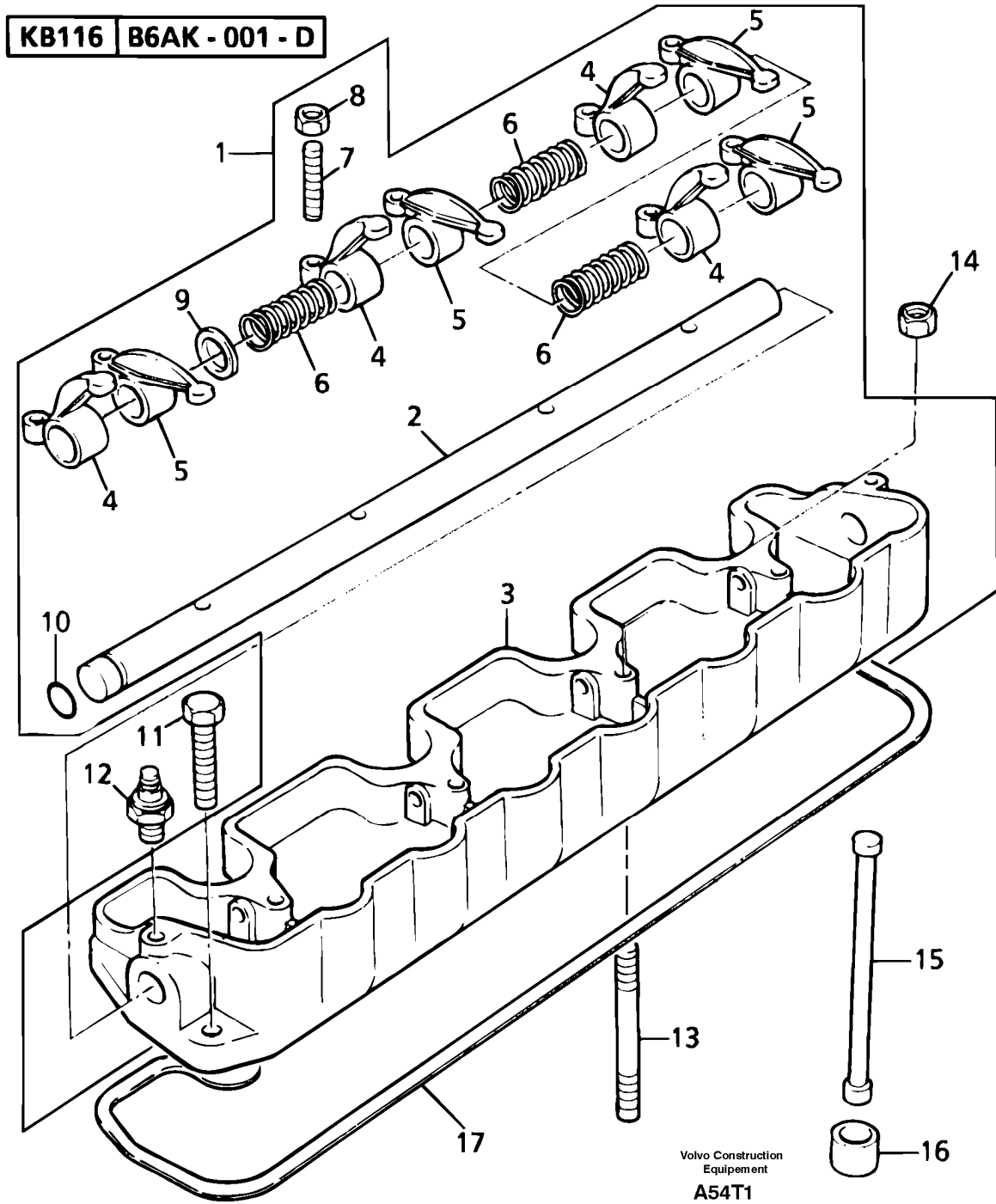


Q1-Q5	Option	Option description	
Q1	256.10151		

Pos	Part	Q1	Q2	Q3	Q4	Q5	PS	Kit	Description	Option(s)	Remark
1	PJ110103120	1					NS		Cylinder block kit		
2	PJ064200025	2							•Plug		
3	PJ064200040	1							•Plug		
4	PJ064200040	3							•Plug		
5	PJ064200040	1							•Plug		
6	PJ198466010	3					OP		•Plug		
7	PJ198466020	4					OP		•Plug		
8	PJ198466030	4					OP		•Plug		
9	PJ012100635	1					OP		Stud		
10	PJ012100660	1					OP		Stud		
11	PJ030309005	2					OP		Pin		
12	PJ030500612	2					OP		Pin		
13	PJ030500616	2					OP		Pin		
14	PJ030501025	2					OP		Pin		
15	PJ040106203	1					OP		Ball Bearing		
16	PJ042309017	1					NS		Needle bearing		
17	PJ042309018	1					NS		Needle bearing		
18	PJ050209083	1							Seal		
19	PJ064100045	1							Plug		
20	VOE11714016	1							Shaft		(PJ165296131)
21	PJ198517220	1					OP		Bushing		THICK = STD
21	PJ198517224	1					OP		Bushing		THICK = 0,25 mm
21	PJ198517227	1					OP		Bushing		THICK = 0,50 mm
22	PJ110156360	1					NS		Bearing Kit		
23		1							•Bearing		ORDER ITEM NO 22
24		1							•Bearing		ORDER ITEM NO 22
25	PJ030500612	2					OP		•Pin		
26	PJ010109406	2					NS		•Screw		
27	PJ011311075	1					NS		Screw		
28	PJ110156370	1					NS		Bearing Kit		
29		1							•Bearing		ORDER ITEM NO 28
30		1							•Bearing		ORDER ITEM NO 28
31	PJ030500612	2					OP		•Pin		
32	PJ010109406	2					NS		•Screw		
33	PJ011311075	1					NS		Screw		
34	PJ110156380	1					NS		Bearing Kit		
35		1							•Bearing		ORDER ITEM NO 34
36		1							•Bearing		ORDER ITEM NO 34
37	PJ030500612	2					OP		•Pin		
38	PJ010109406	2					NS		•Screw		
39	PJ011311075	1					NS		Screw		
40	PJ110156390	1							Bearing Kit		
41		1							•Bearing		ORDER ITEM NO 40
42		1							•Bearing		ORDER ITEM NO 40
43	PJ030500612	2					OP		•Pin		
44	PJ010109406	2					NS		•Screw		

45	PJ010700865	2					OP		Screw		
46	PJ165166221	1					OP		Plate		
47	PJ165996540	1							Seal		
48	PJ011300612	2					OP		Bolt		
49	PJ010109441	3					NS		Stud		

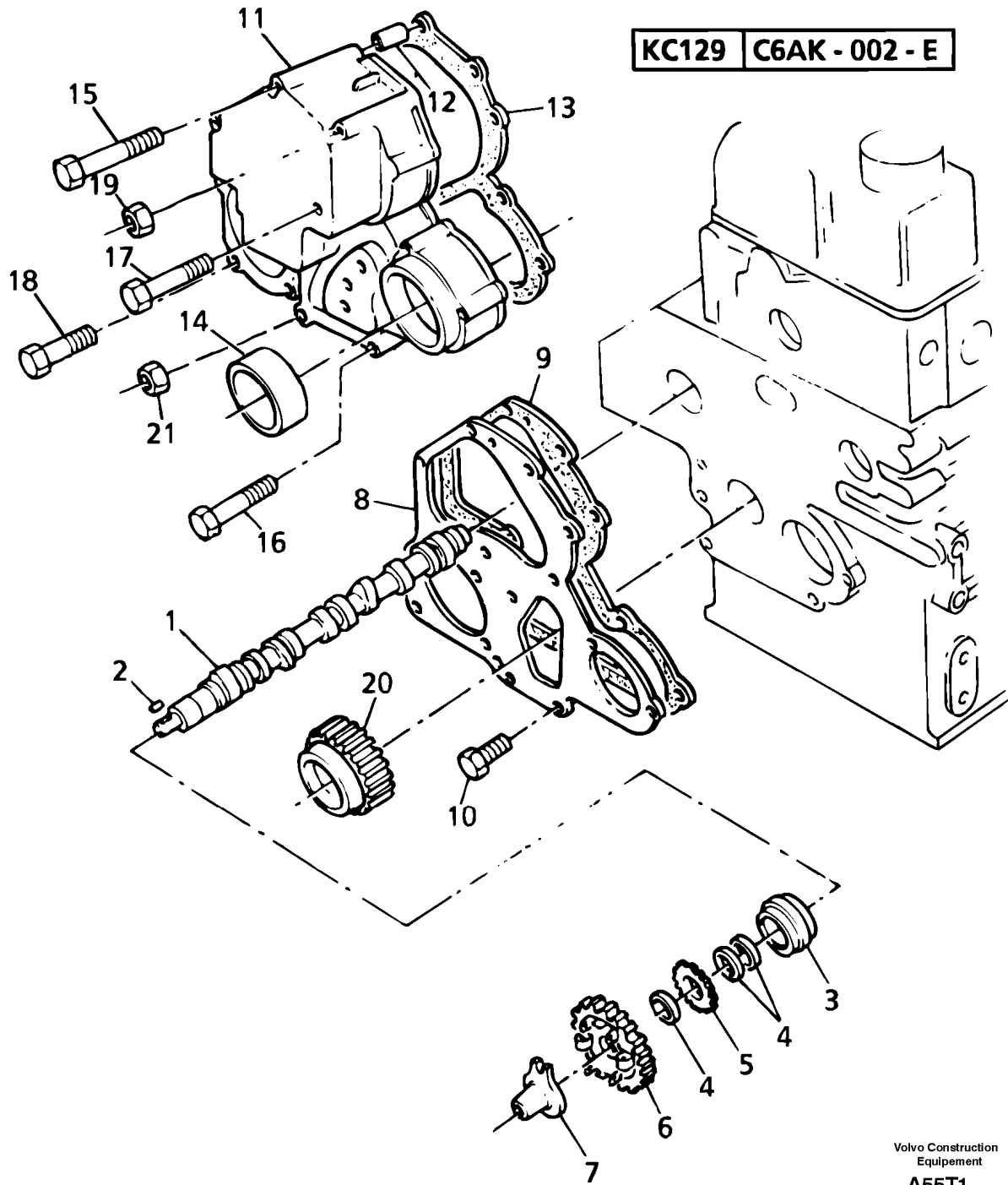
Date: <b>2013/12/17</b>	Image id: <b>A54T1</b>	Catalogue: <b>10012</b>	Model: <b>EW50 VV</b>
Brand: <b>Volvo</b>	Serial: <b>10151-99999</b>	Group/Section: <b>214/100</b>	Title: <b>Rocker arm shaft</b>



Q1-Q5	Option	Option description	
Q1	256.10151		

Pos	Part	Q1	Q2	Q3	Q4	Q5	PS	Kit	Description	Option(s)	Remark
1	PJ120036393	1					NS		Rocker shaft		
2	PJ120316200	1					NS		•Rocker Arm Shaft		
3	PJ120346341	1							•Support		(PJ120346262)
4	PJ120356131	4							•Rocker Arm		
5	PJ120356141	4					NS		•Rocker Arm		
6	PJ198217170	3					NS		•Spring		
7	PJ199486220	8							•Screw with pin		
8	PJ020109076	8							•Nut		
9	PJ199280300	6					NS		•Washer		
10	PJ052109076	1							•O-ring		
11	PJ011300650	1					NS		Screw		
12	PJ185246060	1							Pressure Switch		
13	PJ012109044	4					NS		Stud		
14	PJ023109002	4					OP		Nut		
15	PJ120456310	8							Rod		
16	PJ120116160	8					NS		Tappet		
17	PJ052109074	1							Gasket		

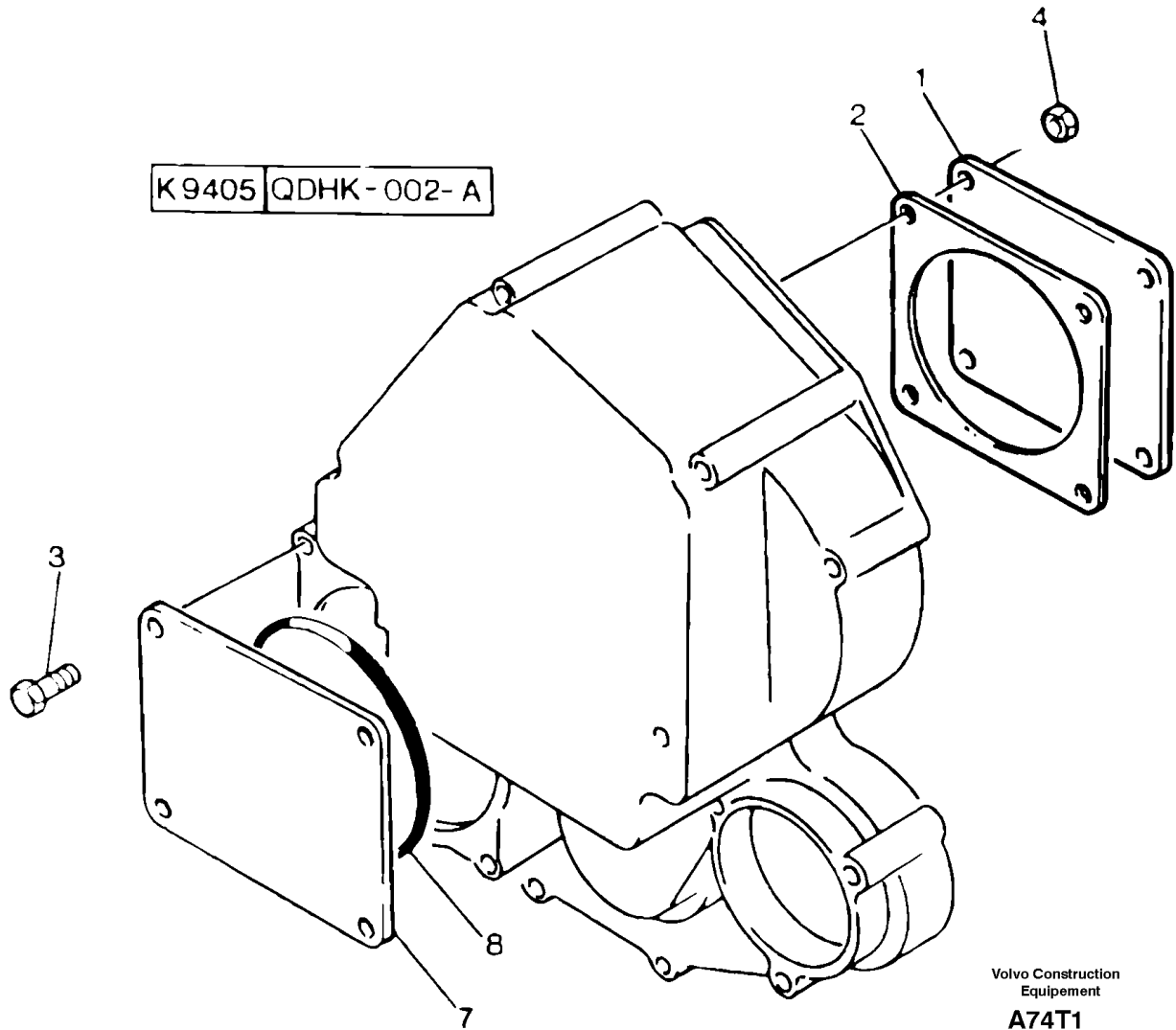
Date: <b>2013/12/17</b>	Image id: <b>A55T1</b>	Catalogue: <b>10012</b>	Model: <b>EW50 VV</b>
Brand: <b>Volvo</b>	Serial: <b>10151-99999</b>	Group/Section: <b>215/100</b>	Title: <b>Timing gear and camshaft</b>



Q1-Q5	Option	Option description	
Q1 256.10151			

Pos	Part	Q1	Q2	Q3	Q4	Q5	PS	Kit	Description	Option(s)	Remark
1	PJ120026320	1							Camshaft		
2	PJ034100508	1							•Key		
3	PJ040109057	1					NS		•Bearing Bushing		
4	PJ199216230	3					OP		•Spacer		
5	PJ120736081	1					OP		•Pinion		
6	PJ120016050	1					OP		•Pinion		
7	PJ125256120	1					OP		Tappet		
8		1							Plate		See ref 212/100
9		1							Seal		See ref 212/100
10		2							Screw		See ref 212/100
11	PJ165106350	1							Oil Pan		(PJ165116325)
12	PJ030300414	1							Pin		
13	PJ165996550	1					SS		Seal		
14	PJ198636160	1							Seal		
15	PJ011300645	6					OP		Screw		
16	PJ011300680	2					OP		Screw		
17	PJ011300660	3					OP		Screw		
18	PJ011310612	2					OP		Screw		
19	PJ023100006	1							Nut		
20		1							Pinion		See ref 221/100

Date: <b>2013/12/17</b>	Image id: <b>A74T1</b>	Catalogue: <b>10012</b>	Model: <b>EW50 VV</b>
Brand: <b>Volvo</b>	Serial: <b>10151-99999</b>	Group/Section: <b>215/300</b>	Title: <b>Ancillary attachment gear drive</b>



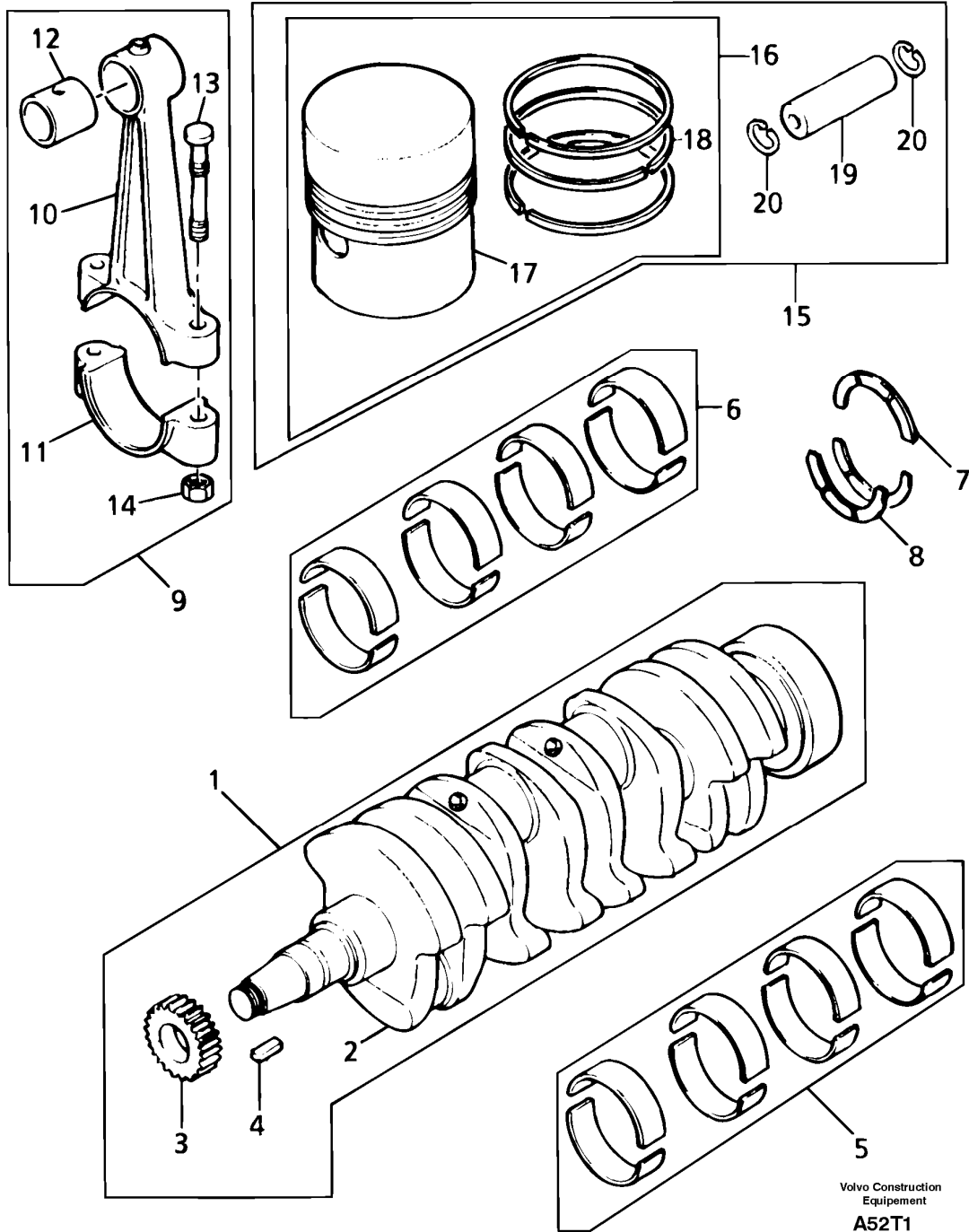
Q1-Q5	Option	Option description	
Q1 256.10151			

Pos	Part	Q1	Q2	Q3	Q4	Q5	PS	Kit	Description	Option(s)	Remark
1	PJ165206010	1					OP		Plate		
2	PJ165996110	1							Seal		
3	PJ011500865	4					NS		Screw		
4	PJ023100008	4							Nut		
7	PJ165206010	1					OP		Plate		
8	PJ052300600	1							O-ring		



Date: <b>2013/12/17</b>	Image id: <b>A52T1</b>	Catalogue: <b>10012</b>	Model: <b>EW50 VV</b>
Brand: <b>Volvo</b>	Serial: <b>10151-99999</b>	Group/Section: <b>216/100</b>	Title: <b>Crankshaft , pistons and connecting rods</b>

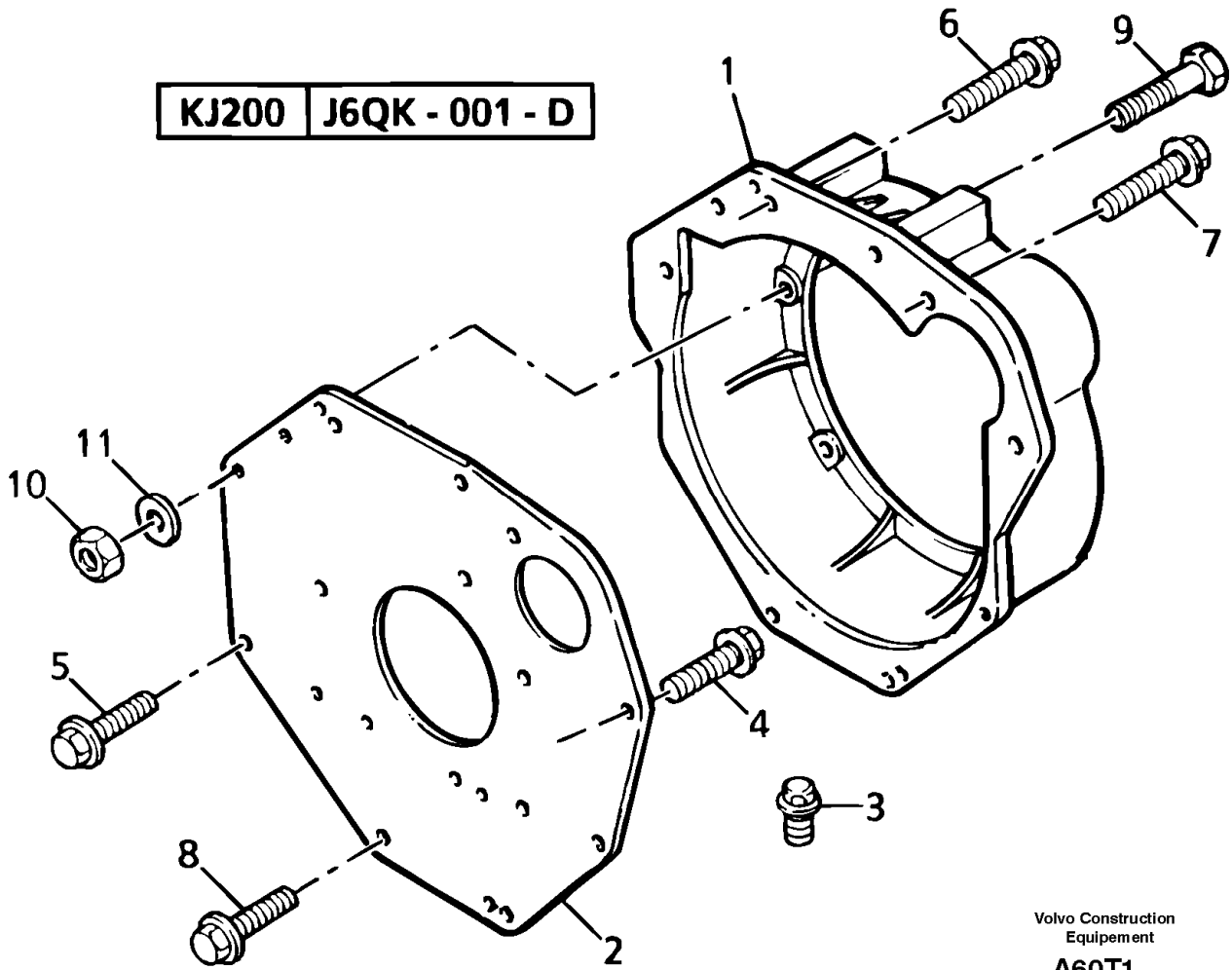
**KA104 A6AK - 001 - D**



Q1-Q5	Option	Option description	
Q1 256.10151			

Pos	Part	Q1	Q2	Q3	Q4	Q5	PS	Kit	Description	Option(s)	Remark
1	VOE11714122	1							Crankshaft		(PJ115256750)
2		1							•Crankshaft		ORDER ITEM NO 1
3	PJ115276200	1							•Pinion		
4	PJ030509020	1							•Key		
5	PJ198586140	1							Bearings (kit)		STD
5	PJ198586150	REQ					NS		Bearings (kit)		0,25 mm
5	PJ198586160	REQ					NS		Bearings (kit)		0,50 mm
6	VOE11714125	4							Bearing kit		(PJ198586170)STD
6	PJ198586180	REQ							Bearing		0,25 mm
6	PJ198586190	REQ					NS		Bearings (kit)		0,50 mm
7	PJ199266210	1							Thrust Washer		
8	PJ199266200	2					OP		Thrust Washer		
9	PJ115026330	4					NS		Piston rod		
10		1							•Piston rod		ORDER ITEM NO 9
11		1							•Bearing		ORDER ITEM NO 9
12	PJ198517265	4							•Bushing		
13	PJ115176140	2							•Screw		
14	PJ020109120	2							•Nut		
15		4							Piston kit		ORDER 16.....20
16	VOE11715802	1							Piston		(PJ115017310)STD
16	VOE11712741	1							Piston		(PJ115017320)0,5 mm
16	PJ115016727	1					OP		Piston Kit		1,0 mm
17		1							•Piston		ORDER ITEM NO 16
18	VOE15029666	4							•Piston ring kit		(PJ115107290)STD
18	PJ115107293	REQ							Piston rings (kit)		0,5 mm
18	PJ115107295	REQ							Piston rings (kit)		1,0 mm
19	PJ115326220	4					OP		Stub Axle		
20	PJ036500028	8					OP		Snap Ring		

Date: <b>2013/12/17</b>	Image id: <b>A60T1</b>	Catalogue: <b>10012</b>	Model: <b>EW50 VV</b>
Brand: <b>Volvo</b>	Serial: <b>10151-99999</b>	Group/Section: <b>216/300</b>	Title: <b>Flywheel housing</b>



Volvo Construction  
Equipment  
**A60T1**

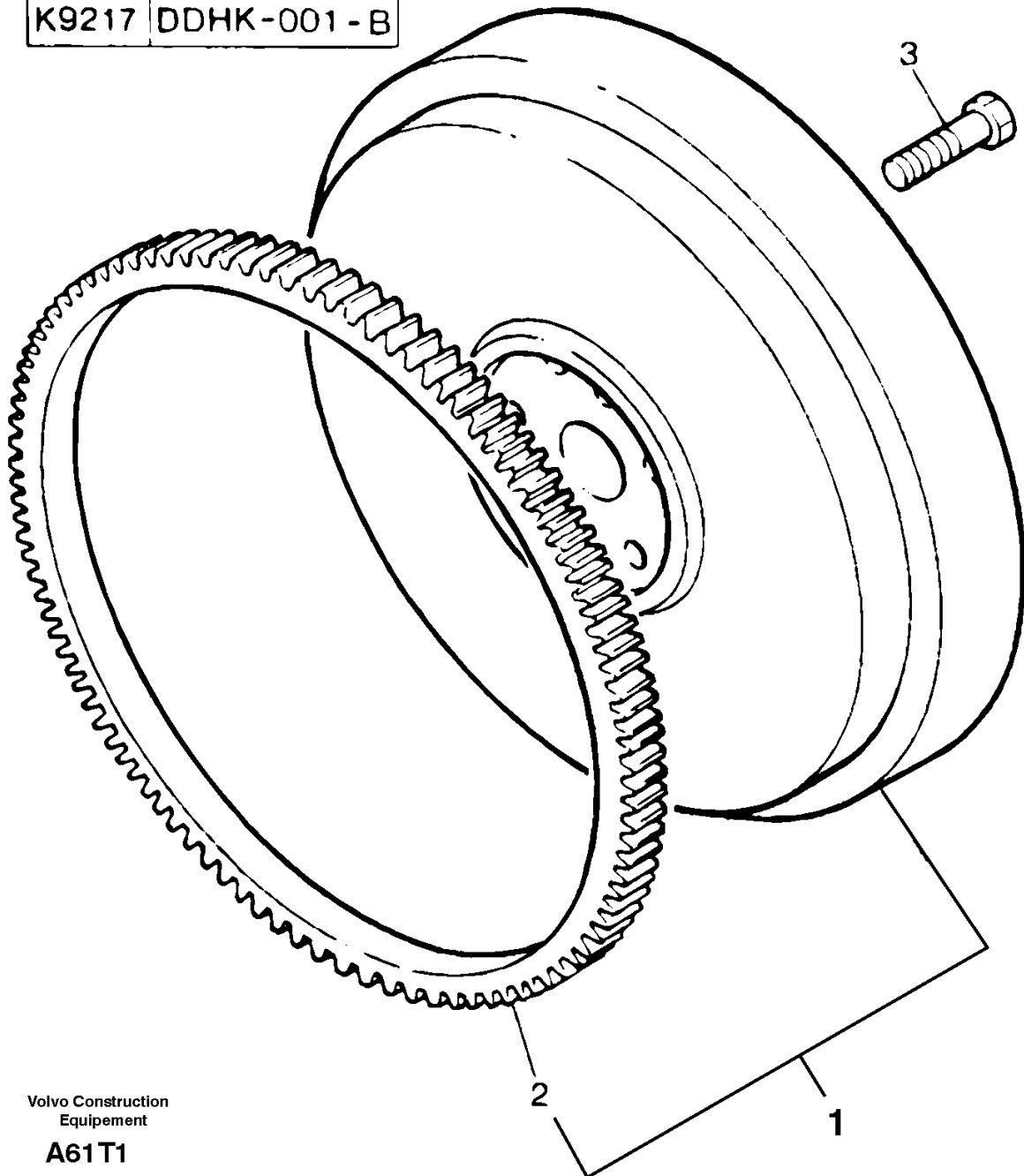
Q1-Q5	Option	Option description	
Q1 256.10151			

Pos	Part	Q1	Q2	Q3	Q4	Q5	PS	Kit	Description	Option(s)	Remark
1	PJ110446971	1					NS		Flywheel housing		
2	PJ110367570	1					NS		Plate		
3	PJ398460091	1					NS		Plug		
4	PJ011500816	10					SS		Screw		
5	PJ011501020	1					NS		Screw		
6	PJ011501020	2					NS		Screw		
7	PJ011511235	2					NS		Bolt		
8	PJ011501050	6					NS		Screw		

9	PJ010301030	4					NS		Screw		
10	PJ020100010	4					OP		Nut		
11	PJ027100010	4					OP		Washer		

Date: <b>2013/12/17</b>	Image id: <b>A61T1</b>	Catalogue: <b>10012</b>	Model: <b>EW50 VV</b>
Brand: <b>Volvo</b>	Serial: <b>10151-99999</b>	Group/Section: <b>216/500</b>	Title: <b>Flywheel and ring gear</b>

**K9217 DDHK-001 - B**

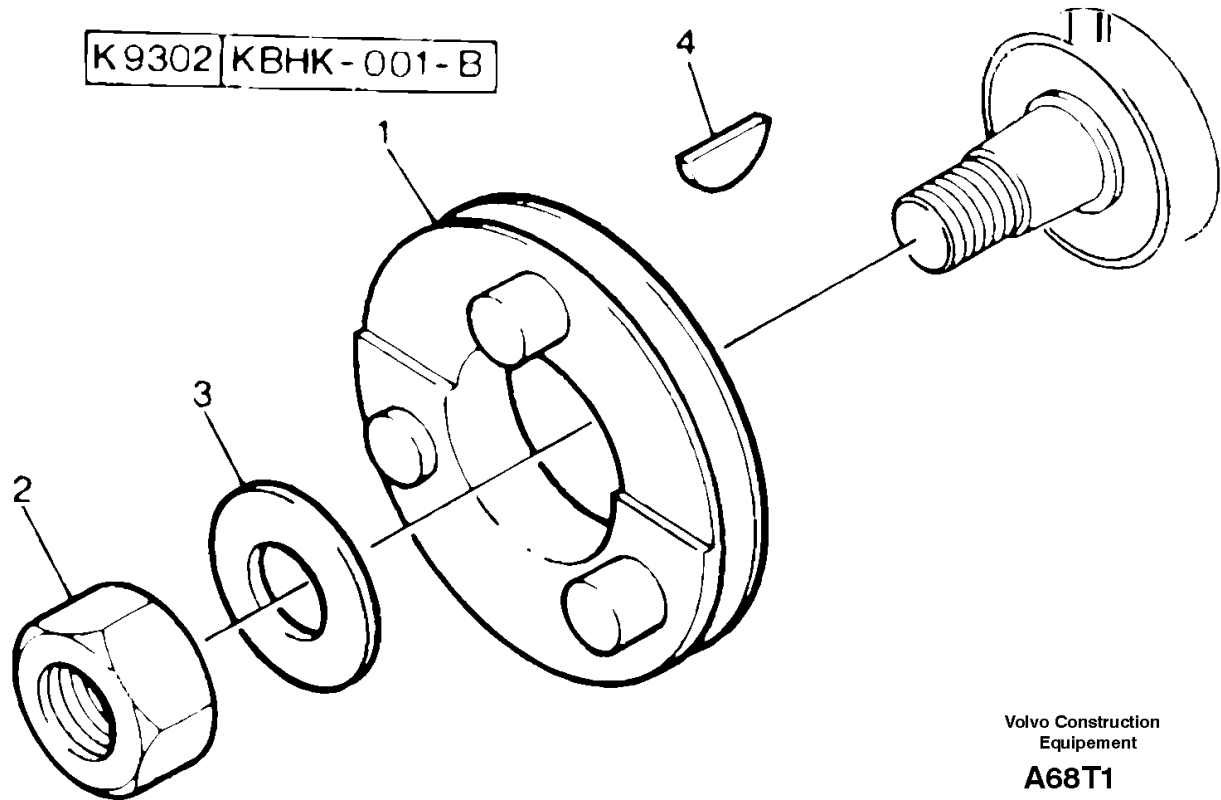


Volvo Construction  
Equipment  
**A61T1**

Q1-Q5	Option	Option description	
Q1	256.10151		

Pos	Part	Q1	Q2	Q3	Q4	Q5	PS	Kit	Description	Option(s)	Remark
1	PJ115357460	1							Flywheel		
2	PJ115376160	1							•Tooth Wheel		
3	PJ010109341	6							Bolt		

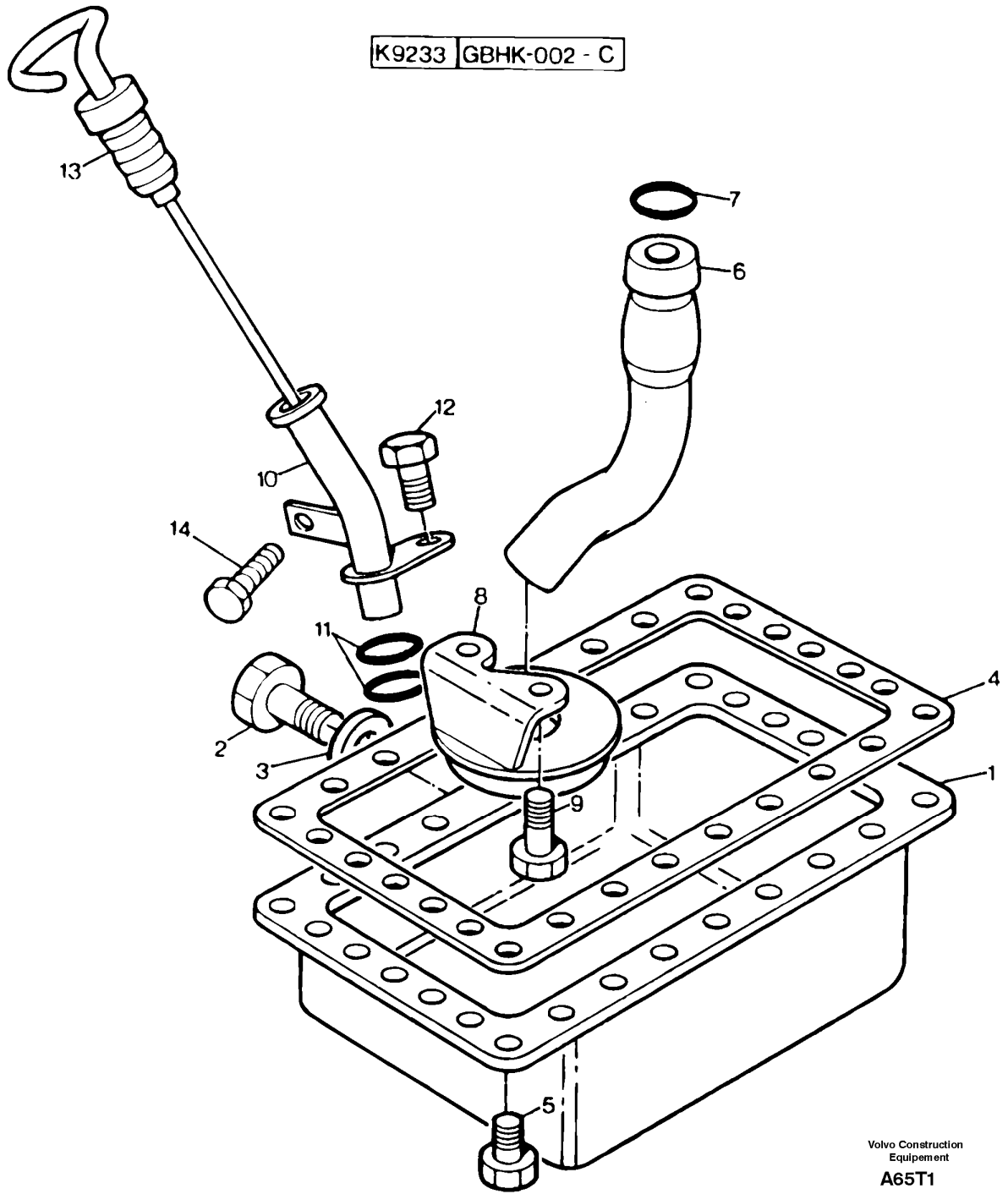
Date: <b>2013/12/17</b>	Image id: <b>A68T1</b>	Catalogue: <b>10012</b>	Model: <b>EW50 VV</b>
Brand: <b>Volvo</b>	Serial: <b>10151-99999</b>	Group/Section: <b>216/600</b>	Title: <b>Front end drive input</b>



Q1-Q5	Option	Option description	
Q1 256.10151			

Pos	Part	Q1	Q2	Q3	Q4	Q5	PS	Kit	Description	Option(s)	Remark
1	PJ115396860	1							Pulley		
2	PJ020109086	1							Nut		
3	PJ026100024	1							Washer		
4	PJ034100508	1							Key		

Date: <b>2013/12/17</b>	Image id: <b>A65T1</b>	Catalogue: <b>10012</b>	Model: <b>EW50 VV</b>
Brand: <b>Volvo</b>	Serial: <b>10151-99999</b>	Group/Section: <b>217/100</b>	Title: <b>Lubrication oil sump</b>

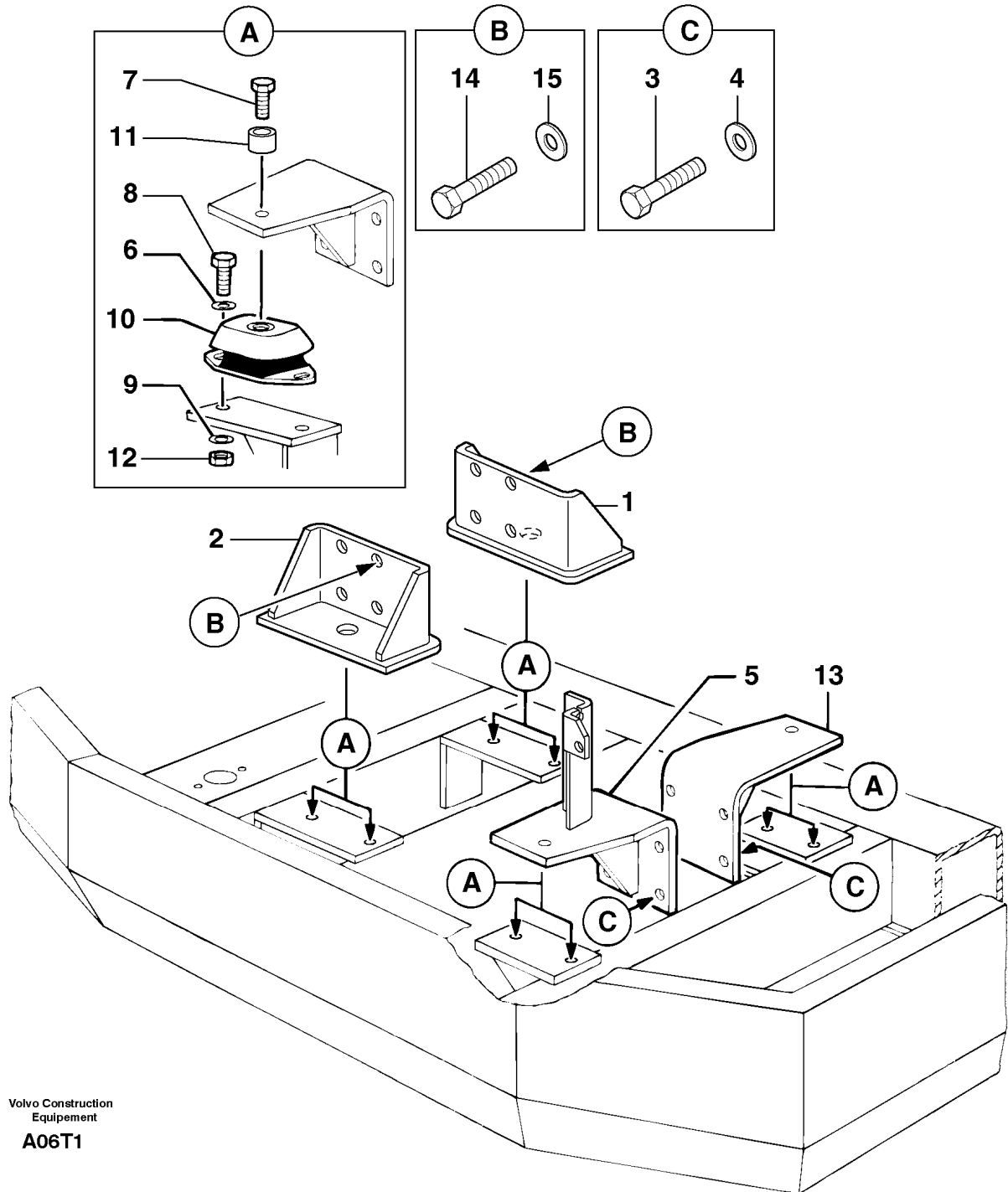


Q1-Q5	Option	Option description	
Q1	256.10151		



Pos	Part	Q1	Q2	Q3	Q4	Q5	PS	Kit	Description	Option(s)	Remark
1	PJ110707711	1							Oil sump		
2		2							Plug		See ref 210/100
3		2							Bush		See ref 210/100
4	PJ110996860	1							Seal		
5	PJ010109235	30					OP		Screw		
6	PJ140986630	1					NS		Pipe		
7	PJ052109076	1							O-ring		
8	VOE11714124	1							Strainer		(PJ140406360)
9	PJ011310612	2					OP		Screw		
10	PJ110756070	1							Giude		
11	PJ052100100	2							O-ring		
12	PJ011300612	1					OP		Bolt		
13	PJ198416320	1					SS		Oil Dipstick		

Date: <b>2013/12/17</b>	Image id: <b>A06T1</b>	Catalogue: <b>10012</b>	Model: <b>EW50 VV</b>
Brand: <b>Volvo</b>	Serial: <b>10151-99999</b>	Group/Section: <b>218/100</b>	Title: <b>Engine mounts</b>

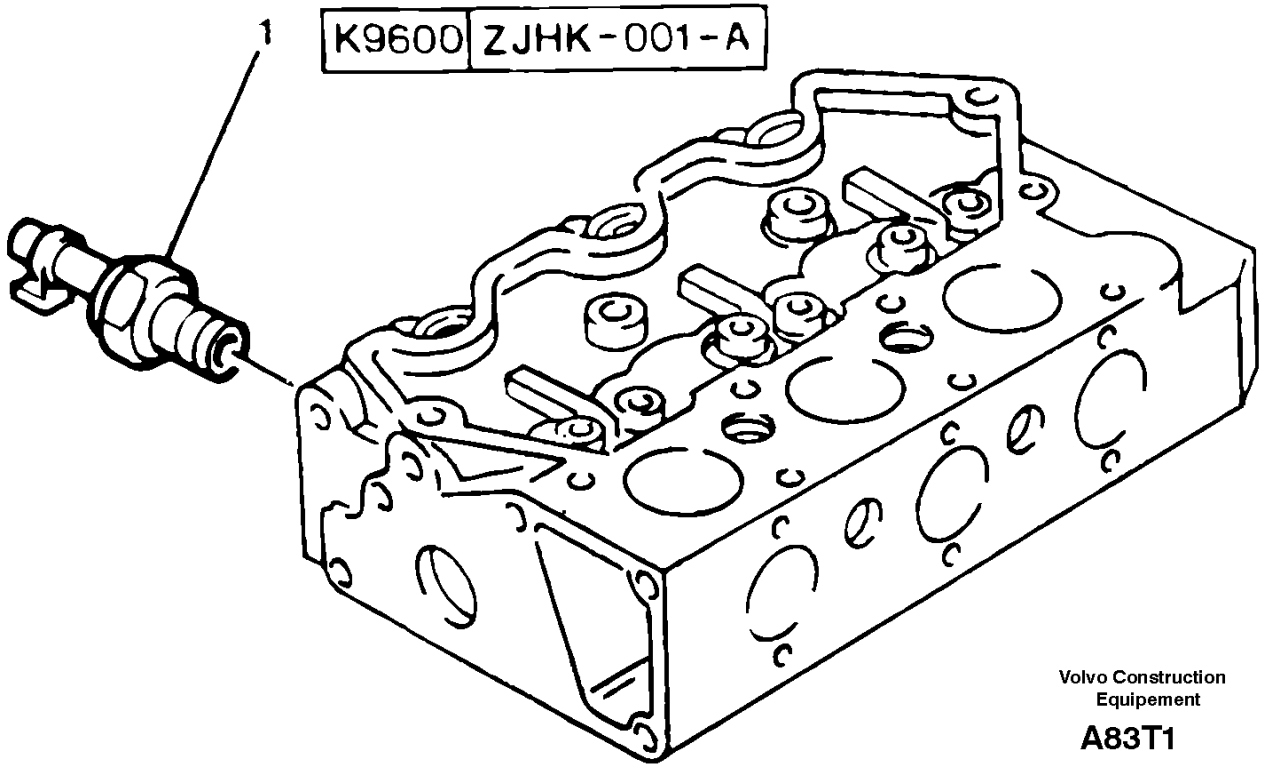


Volvo Construction  
Equipment  
**A06T1**

Q1-Q5	Option	Option description	
Q1	256.10151		

Pos	Part	Q1	Q2	Q3	Q4	Q5	PS	Kit	Description	Option(s)	Remark
1	PJ3811543	1							Engine Bracket		LH
2	PJ3811608	1							Engine Bracket		LH
3	PJ4370035	8							Screw		HM14X30
4	PJ4490007	8							Washer		M14
5	PJ3811578	1							Engine Bracket		RH
6	PJ4460043	8							Washer		LL12U
7	PJ4380089	4							Screw		HM16X55
8	PJ4380068	8							Screw		HM12X30
9	VOE11804249	8							Washer		(PJ4490002)M12
10	VOE14211252	4							Rubber damper		(PJ5140075)
11	PJ3850017	4							Spacer		
12	PJ4410022	8					SS		Nut		HM12
13	PJ3811571	1							Engine Bracket		RH
14	PJ4380223	8							Screw		H3/8-16UNCX1"
15	VOE11807554	8							Washer		(PJ4490003)M10

Date: <b>2013/12/17</b>	Image id: <b>A83T1</b>	Catalogue: <b>10012</b>	Model: <b>EW50 VV</b>
Brand: <b>Volvo</b>	Serial: <b>10151-99999</b>	Group/Section: <b>220/100</b>	Title: <b>Lubrication oil pressure switch and gauge</b>

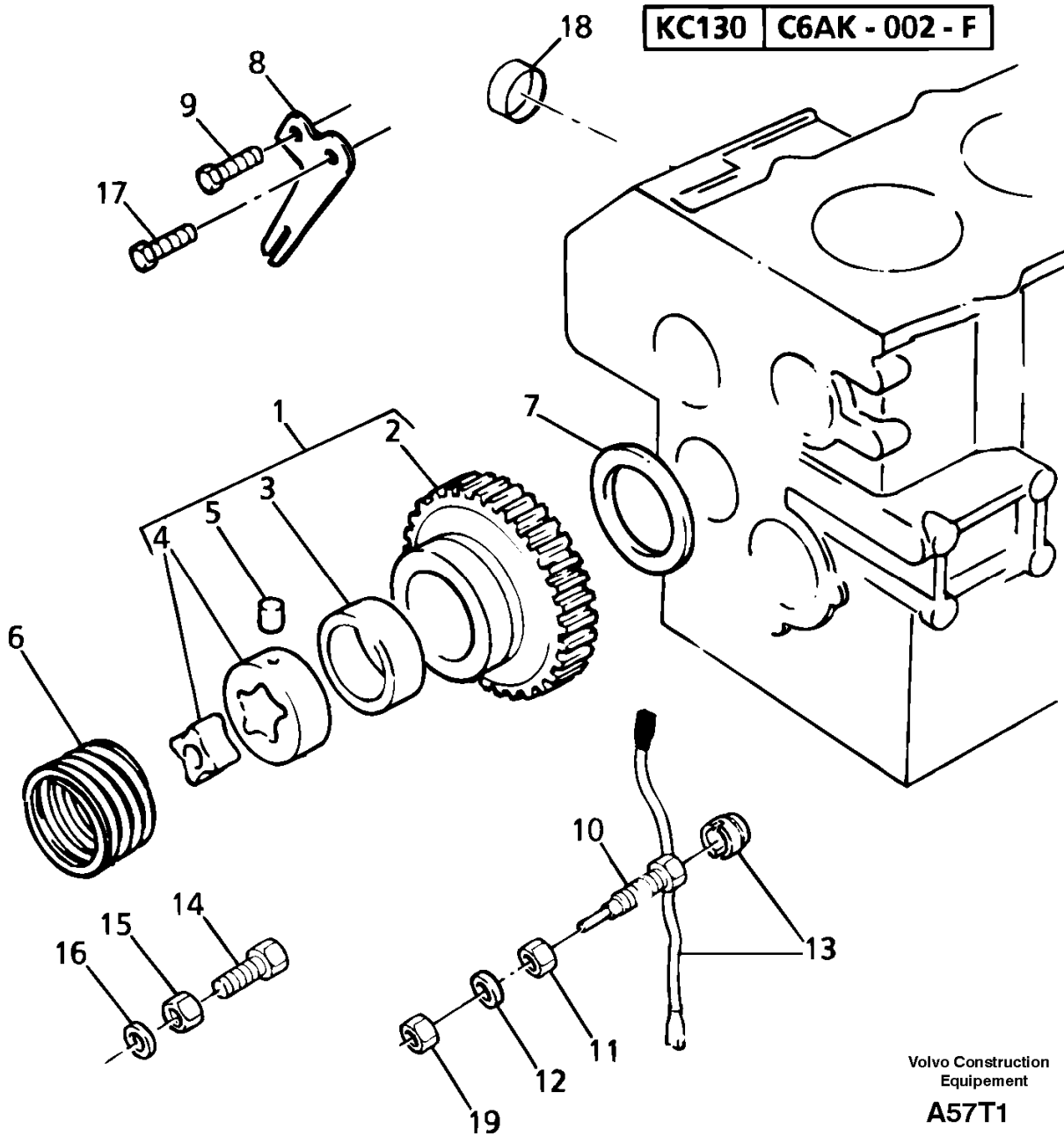


Volvo Construction  
Equipment  
**A83T1**

Q1-Q5	Option	Option description	
Q1 256.10151			

Pos	Part	Q1	Q2	Q3	Q4	Q5	PS	Kit	Description	Option(s)	Remark
1	PJ185246060	1							Pressure Switch		

Date: <b>2013/12/17</b>	Image id: <b>A57T1</b>	Catalogue: <b>10012</b>	Model: <b>EW50 VV</b>
Brand: <b>Volvo</b>	Serial: <b>10151-99999</b>	Group/Section: <b>221/100</b>	Title: <b>Lubrication oil pump and discharge valve</b>

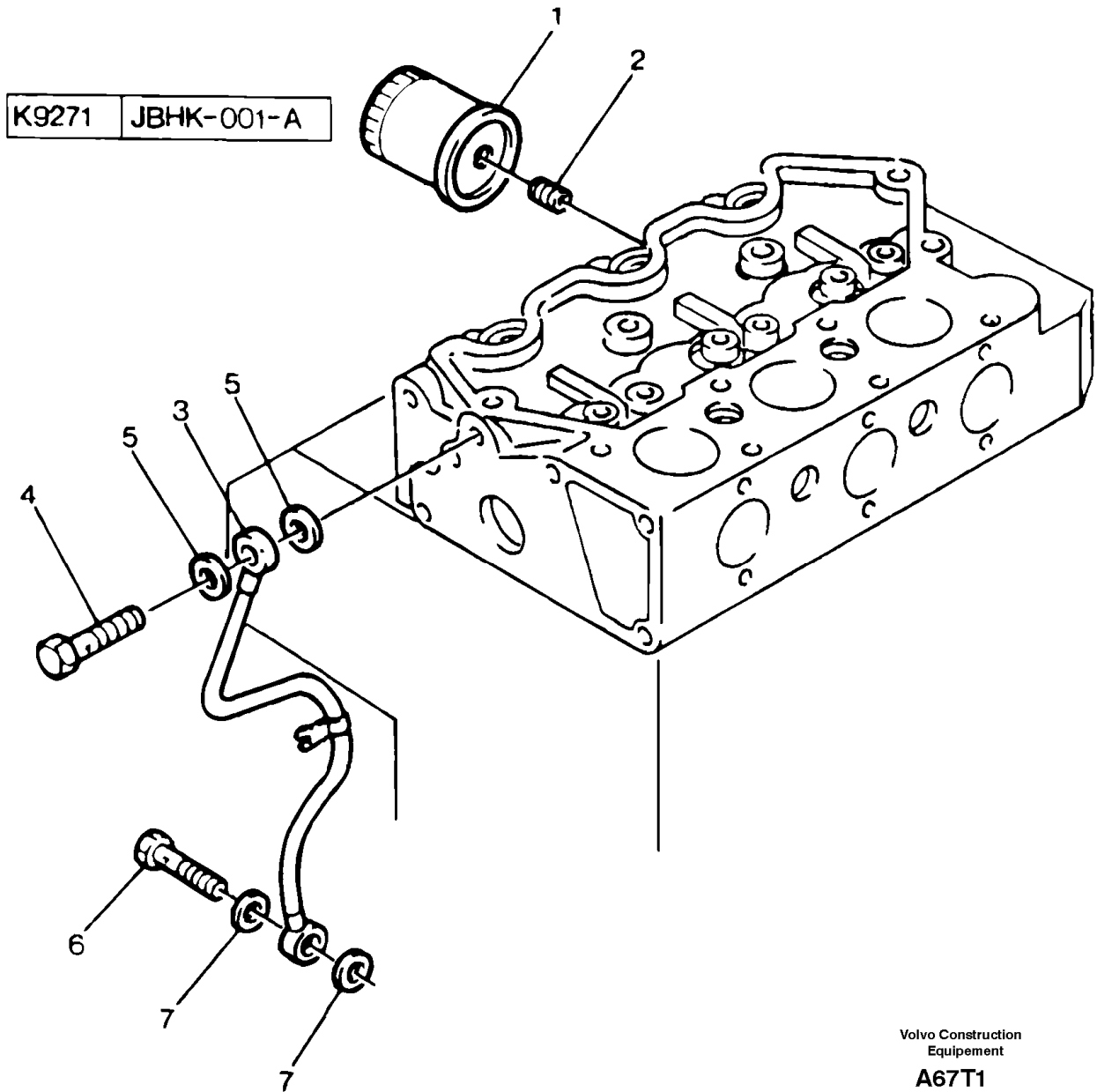


Q1-Q5	Option	Option description	
Q1	256.10151		

Pos	Part	Q1	Q2	Q3	Q4	Q5	PS	Kit	Description	Option(s)	Remark
-----	------	----	----	----	----	----	----	-----	-------------	-----------	--------

1	PJ165026120	1							Pinion		
2		1							•Pinion		ORDER ITEM NO 1
3	PJ198517290	1					NS		•Bushing		
4		1							•Rotor		ORDER ITEM NO 1
5	PJ030509018	3					NS		•Pin		
6	PJ198216821	1					OP		Spring		
7	PJ199266180	1					OP		Washer		
8		1							Plate		See ref 275/100
9		2							Screw		See ref 275/100
10	PJ131046160	1							Screw		
11	PJ023109002	1					OP		Nut		
12	PJ025100010	1					OP		Washer		
13	PJ198236030	1					OP		Wire		
14	PJ010109271	1					NS		Screw		
15	PJ023109002	1					OP		Nut		
16	PJ025100010	1					OP		Washer		

Date: <b>2013/12/17</b>	Image id: <b>A67T1</b>	Catalogue: <b>10012</b>	Model: <b>EW50 VV</b>
Brand: <b>Volvo</b>	Serial: <b>10151-99999</b>	Group/Section: <b>222/100</b>	Title: <b>Oil filter</b>



Q1-Q5	Option	Option description	
Q1 256.10151			

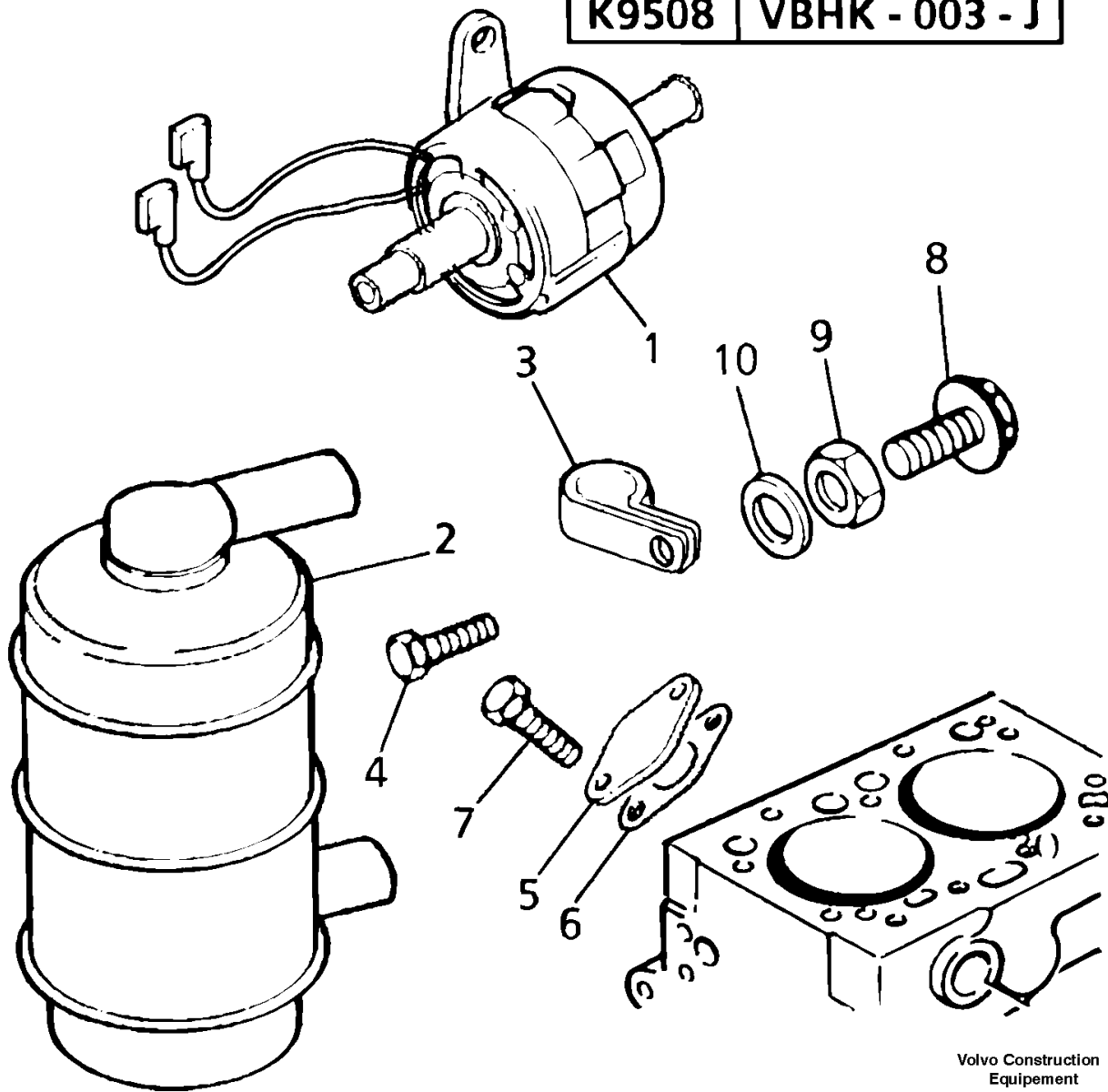
Pos	Part	Q1	Q2	Q3	Q4	Q5	PS	Kit	Description	Option(s)	Remark
1		1							Oil filter		See ref 210/100
2	PJ140546020	1							Nipple		
3	PJ140607020	1					NS		Pipe		





Date: <b>2013/12/17</b>	Image id: <b>A78T1</b>	Catalogue: <b>10012</b>	Model: <b>EW50 VV</b>
Brand: <b>Volvo</b>	Serial: <b>10151-99999</b>	Group/Section: <b>233/100</b>	Title: <b>Low pressure fuel system</b>

**K9508 VBHK - 003 - J**



Volvo Construction  
Equipment  
**A78T1**

Q1-Q5	Option	Option description	
Q1 256.10151			

Pos	Part	Q1	Q2	Q3	Q4	Q5	PS	Kit	Description	Option(s)	Remark
1	PJ5350058	1							Fuel pump		
2	PJ130306130	1					NS		Fuel filter		



Thank you so much for reading.  
Please click the “Buy Now!”  
button below to download the  
complete manual.



After you pay.

You can download the most  
perfect and complete manual in  
the world immediately.

Our support email:

[ebooklibonline@outlook.com](mailto:ebooklibonline@outlook.com)