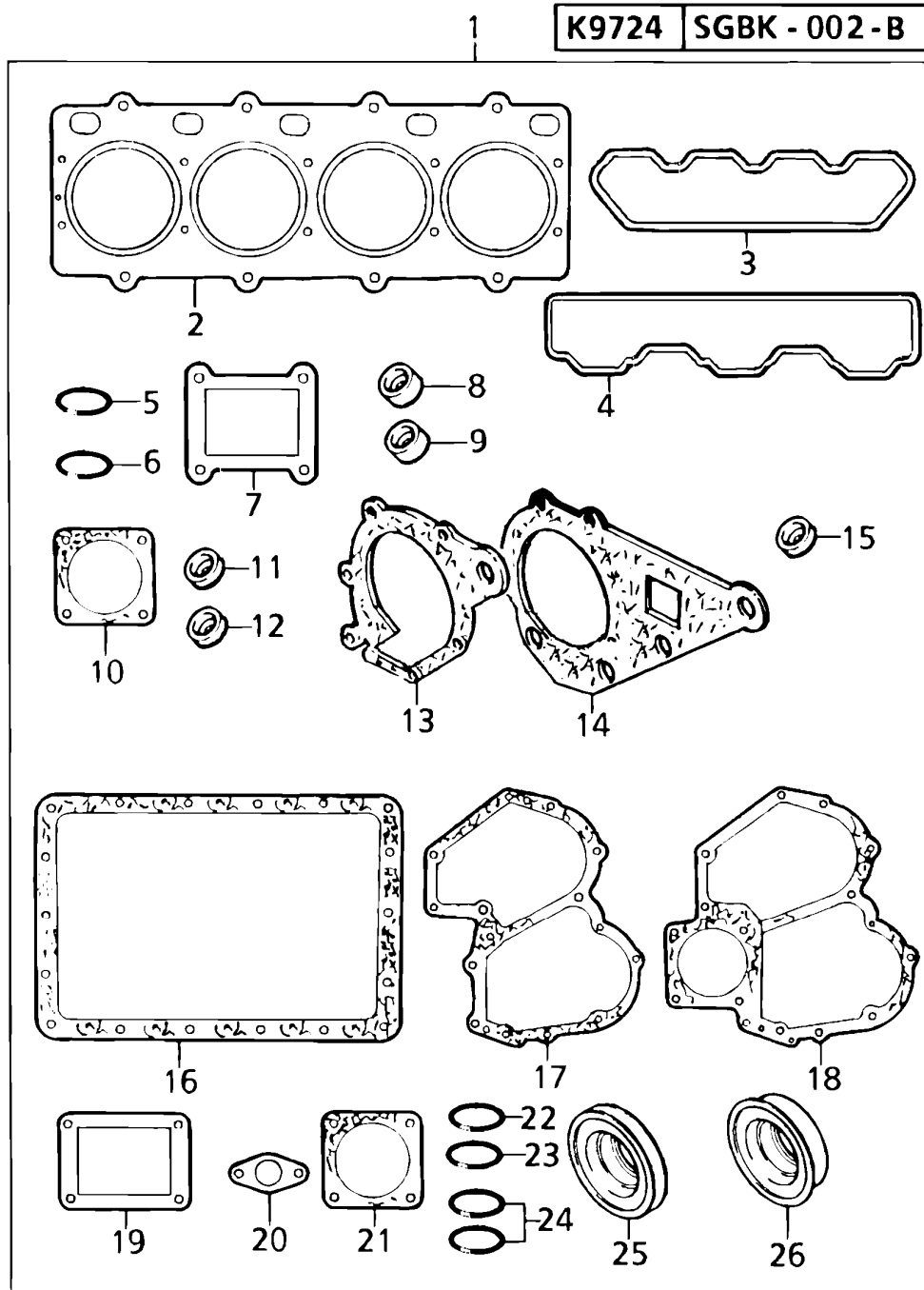


Date: 2013/12/11	Image id: A88S1	Catalogue: 10011	Model: EW50
Brand: Volvo	Serial: 10151-99999	Group/Section: 210/50	Title: Engine gasket kit



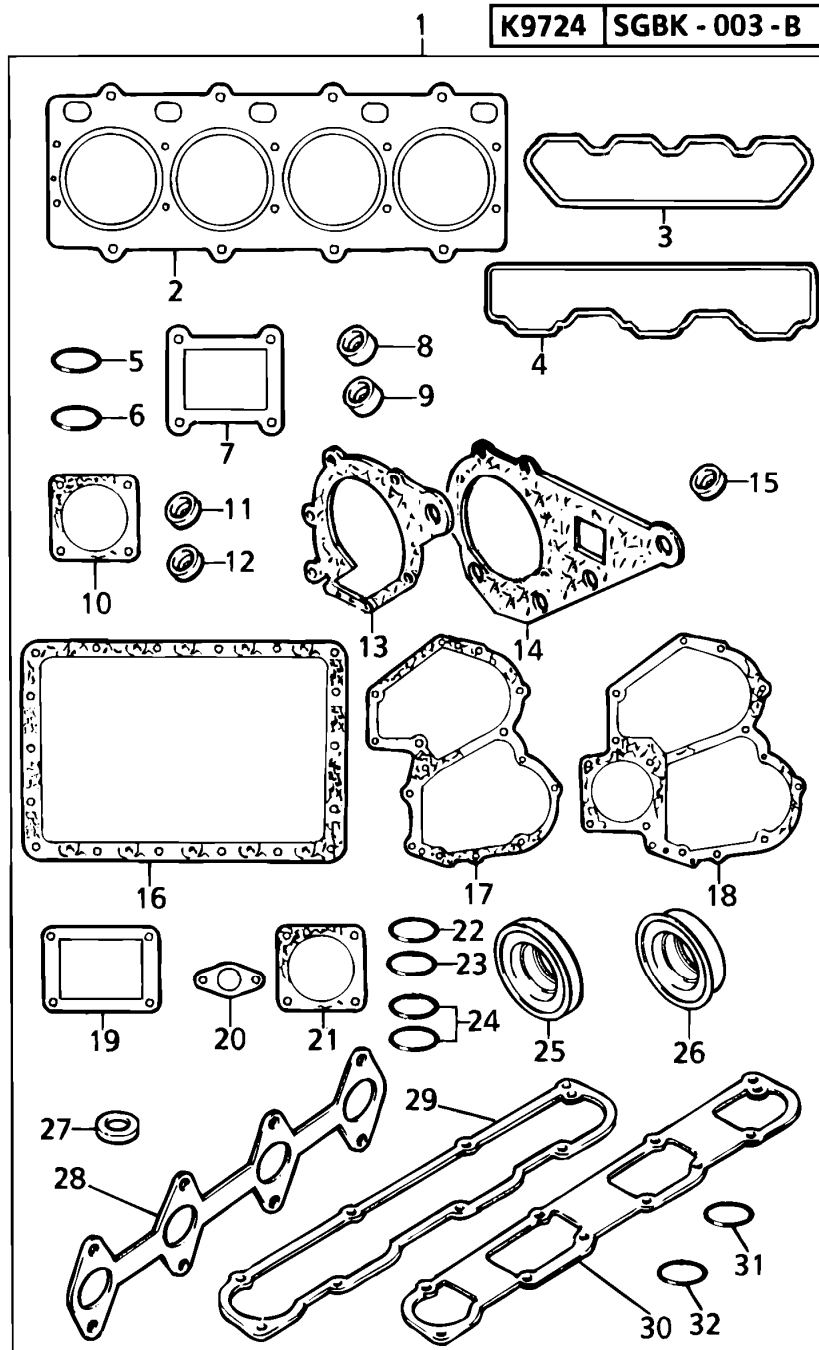
Volvo Construction
Equipment
A88S1

Q1-Q5	Option	Option description
-------	--------	--------------------

Q1 KR80667J			
----------------	--	--	--

Pos	Part	Q1	Q2	Q3	Q4	Q5	PS	Kit	Description	Option(s)	Remark
1	PJ195906950	1					SS		Sealing Kit		
2	PJ111147450	1					SS		•Cyl Head Gasket		
3	PJ052109072	1							•Gasket		
4	PJ135996780	1							•Seal		
5	PJ052109076	1							•O-ring		
6	PJ052100400	1							•Seal		
7	PJ145996360	1					SS		•Seal		
8	PJ120406050	4							•Seal		
9	PJ120406070	4							•Seal		
10	PJ314990013	1							•Seal		
11	PJ198996071	4					SS		•Washer		
13	PJ145996460	1					SS		•Seal		
14	PJ145996370	1							•Seal		
15	PJ131426200	4							•Seal		
16	PJ110996600	1					SS		•Seal		
17	PJ165996351	1					SS		•Seal		
18	PJ165996361	1					SS		•Seal		
20	PJ130996070	1							•Seal		
21	PJ165996110	1							•Seal		
22	PJ052300600	1							•O-ring		
24	PJ052100100	2							•O-ring		
25	PJ198636160	1							•Seal		
26	PJ050209083	1							•Seal		

Date: 2013/12/11	Image id: A88AS1	Catalogue: 10011	Model: EW50
Brand: Volvo	Serial: 10151-99999	Group/Section: 210/75	Title: Engine gasket kit



Volvo Construction
Equipment
A88AS1

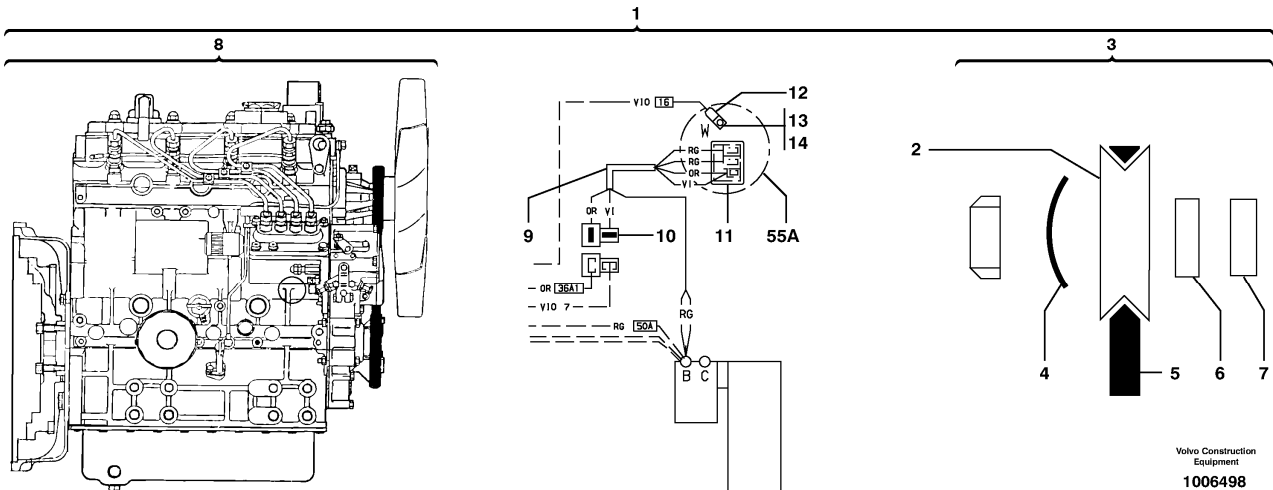
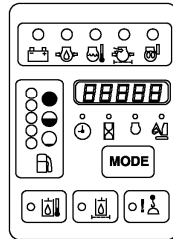
Q1-Q5	Option	Option description	
Q1 KR80667U			

Pos	Part	Q1	Q2	Q3	Q4	Q5	PS	Kit	Description	Option(s)	Remark
1	PJ195907120	1							Sealing Kit		
2	PJ111147460	1					SS		•Cyl Head Gasket		
3	PJ052109072	1							•Gasket		
4	PJ052109074	1							•Gasket		
5	PJ052109076	1							•O-ring		
6	PJ052100400	1							•Seal		
7	PJ145996710	1					SS		•Seal		
8	PJ120406050	4							•Seal		
9	PJ120406070	4							•Seal		
10	PJ314990013	1							•Seal		
11	PJ140996270	4							•Washer		
12	PJ131426230	4							•Seal		
13	PJ145996051	1							•Seal		
14	PJ145996670	1					SS		•Seal		
15	PJ131426200	4							•Seal		
16	PJ110996860	1							•Seal		
17	PJ165996550	1					SS		•Seal		
18	PJ165996540	1							•Seal		
19	PJ131426320	1					NS		•Shim		
20	PJ130996130	1					NS		•Seal		
21	PJ165996110	1							•Seal		
22	PJ052300600	1							•O-ring		
24	PJ052100100	2							•O-ring		
25	PJ198636160	1							•Seal		
26	PJ050209083	1							•Seal		
27	PJ140996260	1							•Washer		
28	PJ135996780	1							•Seal		
29	VOE15033923	1							•Gasket		(PJ135996880)
30	PJ135996870	1							•Seal		
31	PJ052109076	1							•O-ring		
32	VOE11712577	1							•O-ring		(PJ052109078)

Date: 2013/12/11	Image id: 1006498	Catalogue: 10011	Model: EW50
Brand: Volvo	Serial: 10151-99999	Group/Section: 210/100	Title: Diesel engine

👁 SERVICE BULLETIN 09/98

→ N°PUMA 3562



Volvo Construction
Equipment
1006498

Q1-Q5	Option	Option description	
Q1 256.10151 256.13269			

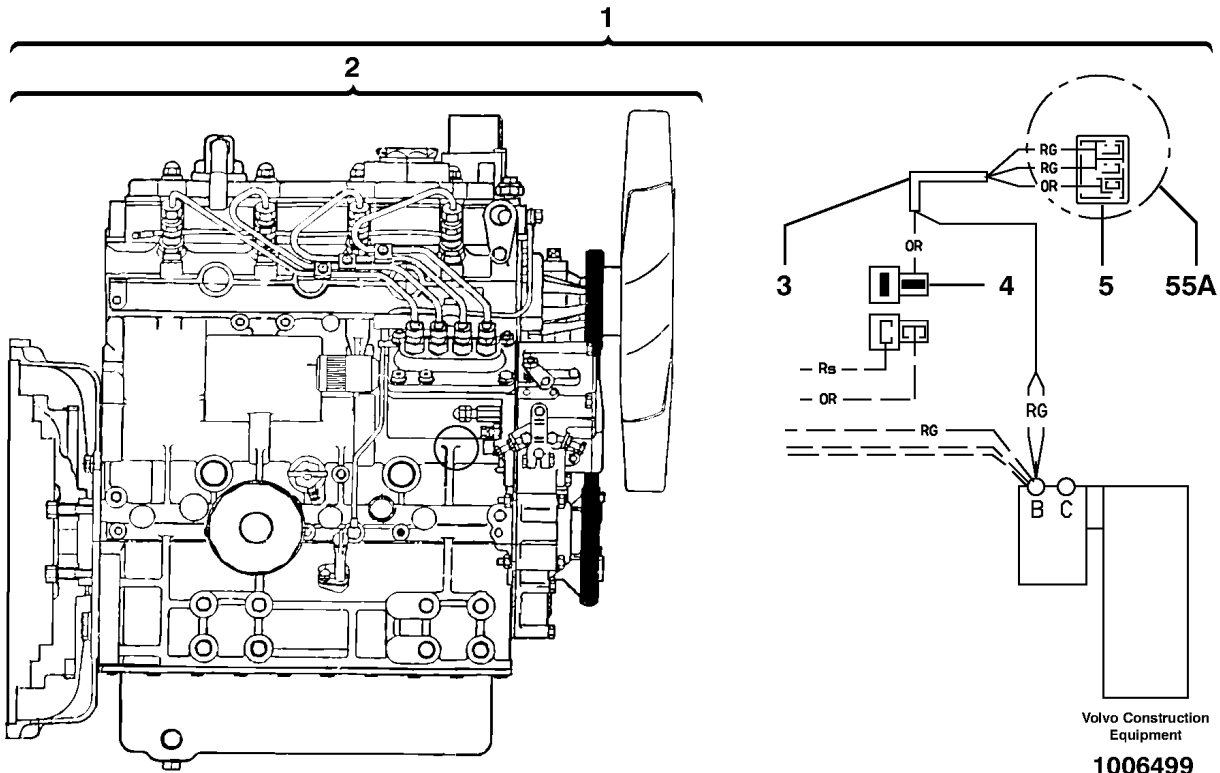
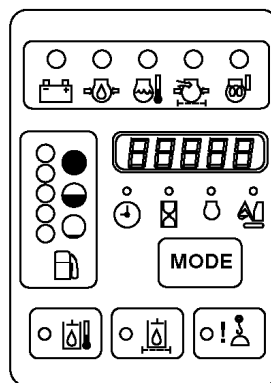
Pos	Part	Q1	Q2	Q3	Q4	Q5	PS	Kit	Description	Option(s)	Remark
1	PJ6660223	1							Overhaul kit		
2	PJ4850006	1							•Pulley		OD = 70mm/2.7559in
3	PJ6660221	1							•Kit		
4	PJ0542081260	1							••Washer		
5	PJ2614B129	1							••Belt		
6	PJ0542056340	1							••Spacer		THICK = 5,5mm/0.2165in
7	PJ0542057210	1							••Spacer		THICK = 6,5mm/0,2559in
8	PJ5370213	1					OP		•Engine		
9	PJ5720579	1							•Wire harness		

10	PJ5080125	1							•Plug connector		
11	PJ5080130	1							•Plug connector		
12	PJ5090133	1					OP		•Clip (strap)		
13	VOE940090	1					SS		•Washer		(PJ4460014)MU5
14	PJ4410010	1							•Nut		HM5

Date: 2013/12/11	Image id: 1006499	Catalogue: 10011	Model: EW50
Brand: Volvo	Serial: 10151-99999	Group/Section: 210/200	Title: Diesel engine

👁 SERVICE BULLETIN 09/98

↳ N°PUMA 3563

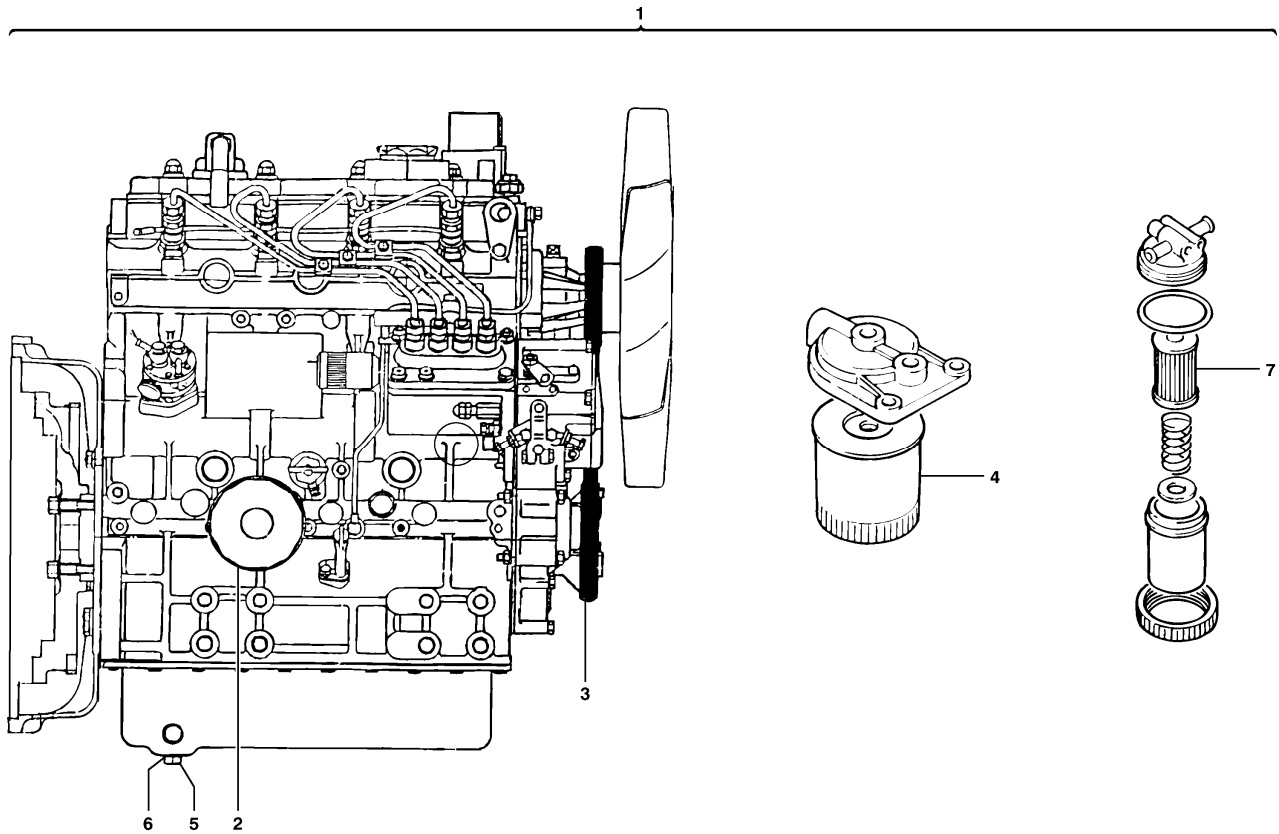


Q1-Q5	Option	Option description	
-------	--------	--------------------	--

Q1 256.10151 256.13269			
---------------------------	--	--	--

Pos	Part	Q1	Q2	Q3	Q4	Q5	PS	Kit	Description	Option(s)	Remark
1	PJ6660225	1							Repair kit		
2	PJ5370213	1					OP		•Engine		
3	PJ5720617	1							•Wire harness		
4	PJ5080125	1							•Plug connector		
5	PJ5080130	1							•Plug connector		

Date: 2013/12/11	Image id: 1006489	Catalogue: 10011	Model: EW50
Brand: Volvo	Serial: 10151-99999	Group/Section: 210/300	Title: Diesel engine

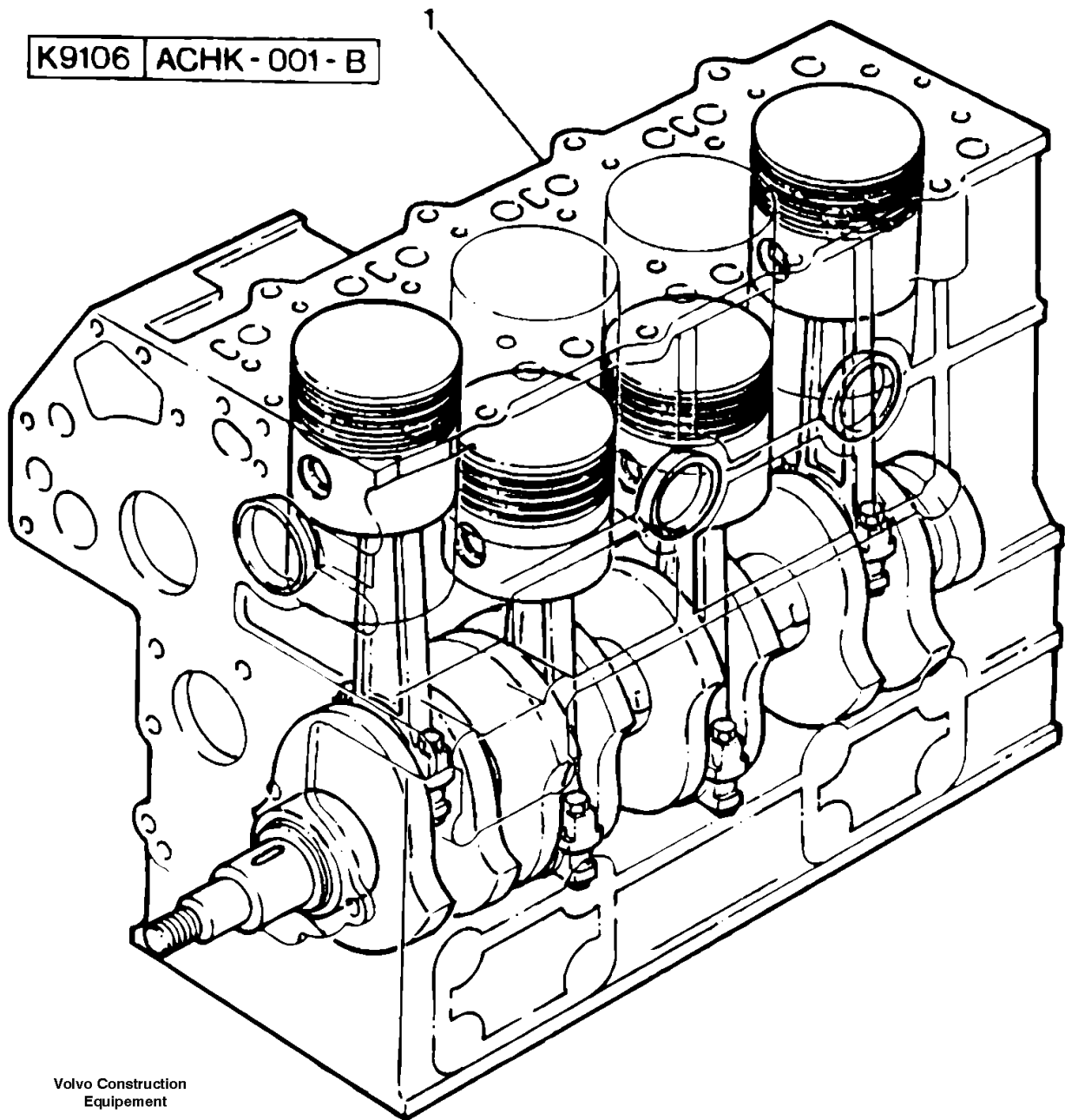


Volvo Construction
Equipment
1006489

Q1-Q5	Option	Option description	
Q1 256.13270			

Pos	Part	Q1	Q2	Q3	Q4	Q5	PS	Kit	Description	Option(s)	Remark
1	PJ5370213	1					OP		Engine		
2	PJ7413694	1							•Oil Filter		
2	PJ7413694/10	1					SS		Filter Kit		
3	PJ7414802	1							Belt		
4	PJ7413693	1							Fuel filter		
4	PJ7413693/10	1					SS		Filter Kit		
5	PJ7413690	2							Plug		
6	PJ7413691	2							Bushing		
7	VOE11715846	1							Fuel filter insert		(PJ7412921)
7	PJ7412921/20	1					SS		Filter Kit		

Date: 2013/12/11	Image id: A50S1	Catalogue: 10011	Model: EW50
Brand: Volvo	Serial: 10151-99999	Group/Section: 210/400	Title: Short engine

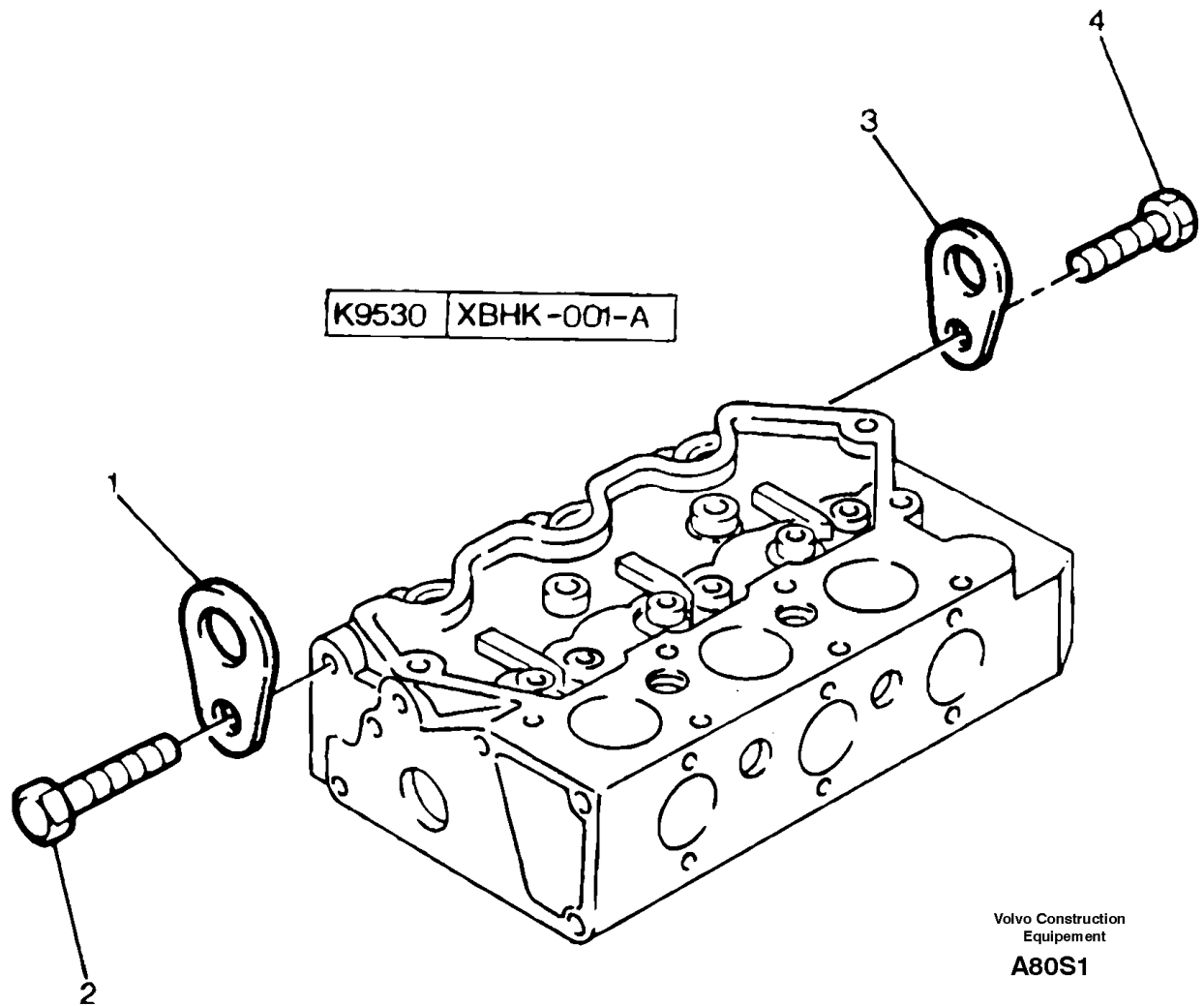


Q1-Q5	Option	Option description	
Q1 KR80667J			

Pos	Part	Q1	Q2	Q3	Q4	Q5	PS	Kit	Description	Option(s)	Remark
-----	------	----	----	----	----	----	----	-----	-------------	-----------	--------

1	PJ110006750	1					NS		Short engine		
---	-------------	---	--	--	--	--	----	--	--------------	--	--

Date: 2013/12/11	Image id: A80S1	Catalogue: 10011	Model: EW50
Brand: Volvo	Serial: 10151-99999	Group/Section: 210/500	Title: Engine lifting



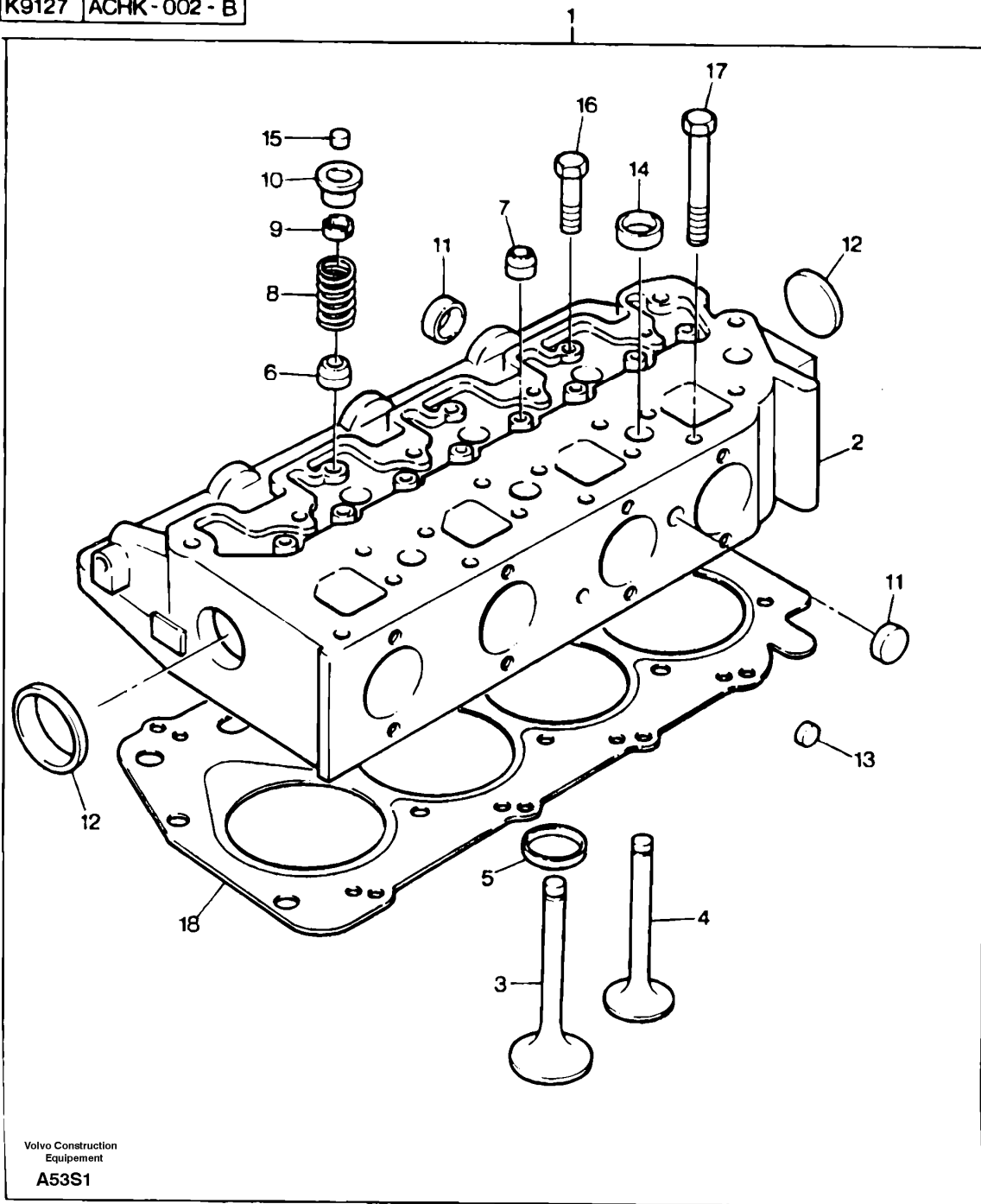
Q1-Q5	Option	Option description	
Q1.			

Pos	Part	Q1	Q2	Q3	Q4	Q5	PS	Kit	Description	Option(s)	Remark
1	PJ195816200	1					NS		Plate		ENG - KR80667J
1	PJ195816540	1							Plate		(PJ195816370)ENG KR80667U -
2	PJ011310816	1					OP		Screw		ENG - KR80667J
2	PJ011510816	1							Screw		ENG KR80667U -
3	PJ195816200	1					NS		Plate		ENG - KR80667J
3	PJ195816540	1							Plate		(PJ195816370)ENG KR80667U -

4	PJ011310816	1					OP		Screw		ENG - KR80667J
4	PJ011510816	1							Screw		ENG KR80667U -

Date: 2013/12/11	Image id: A53S1	Catalogue: 10011	Model: EW50
Brand: Volvo	Serial: 10151-99999	Group/Section: 211/100	Title: Cylinder head

K9127 ACHK - 002 - B



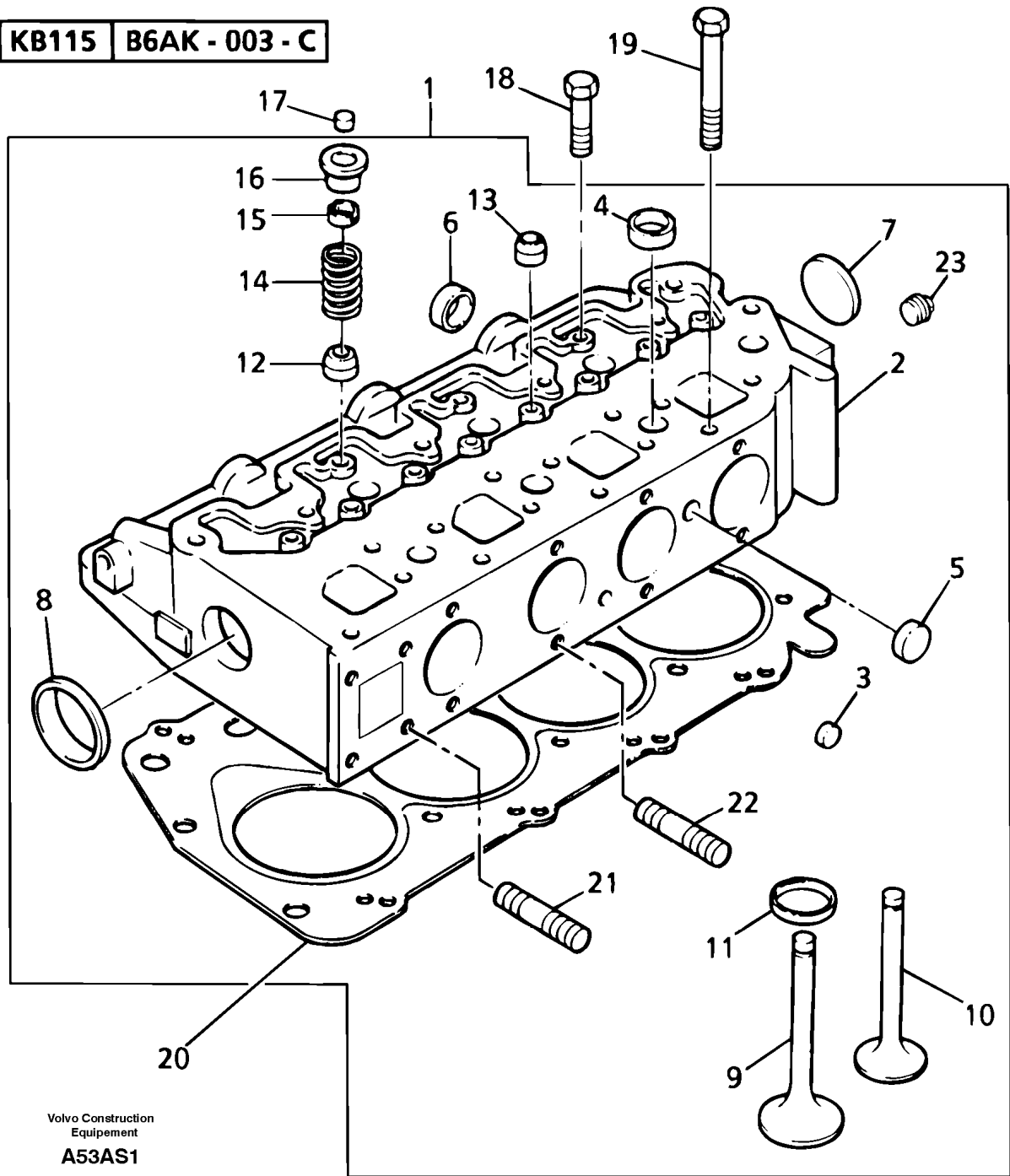
Q1-Q5	Option	Option description
-------	--------	--------------------

Q1 KR80667J			
----------------	--	--	--

Pos	Part	Q1	Q2	Q3	Q4	Q5	PS	Kit	Description	Option(s)	Remark
1	PJ111017420	1							Cyl Head Kit		
2		1							•Cylinder head		ORDER ITEM NO 1
3	PJ120166350	4							•Valve		
4	PJ120176360	4							•Valve		
5	PJ110136390	4					NS		•Socket		
6	PJ120406070	4							•Seal		
7	PJ120406050	4							•Seal		
8	PJ198216700	8							•Spring		
9	PJ120226070	8							•Cone		
10	PJ120186080	8							•Cap		
11	PJ064200025	6							•Plug		
12	PJ064200030	2							•Plug		
13	PJ064200010	3					OP		•Plug		
14	PJ064200018	7							•Plug		
15	PJ120216040	8							Cap		
16	PJ111136370	4					OP		Screw		
17	PJ111136360	14					OP		Screw		
18	PJ111147450	1					SS		Cyl Head Gasket		

Date: 2013/12/11	Image id: A53AS1	Catalogue: 10011	Model: EW50
Brand: Volvo	Serial: 10151-99999	Group/Section: 211/200	Title: Cylinder head

KB115 B6AK - 003 - C

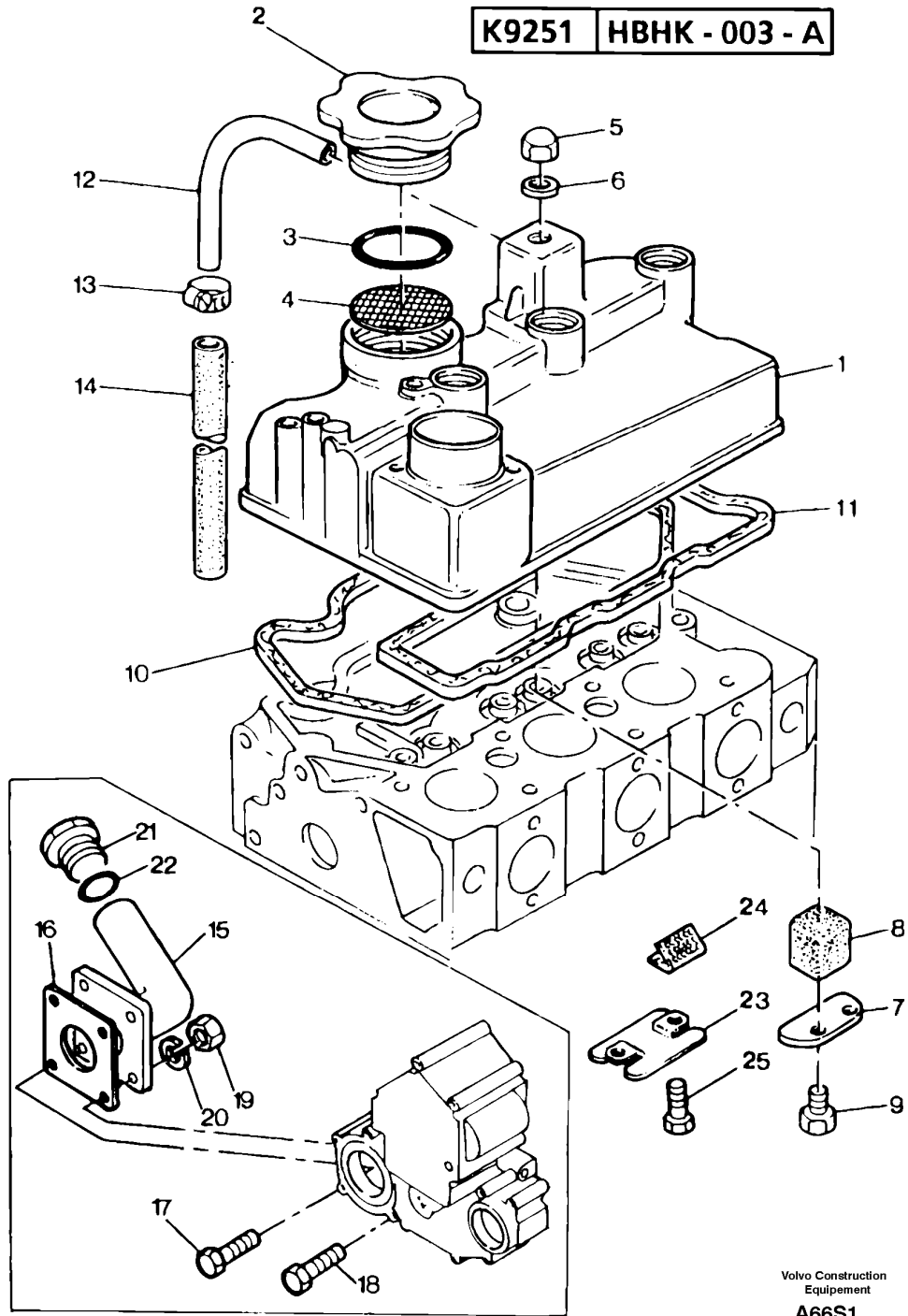


Volvo Construction
Equipment
A53AS1

Q1-Q5	Option	Option description	
Q1 KR80667U			

Pos	Part	Q1	Q2	Q3	Q4	Q5	PS	Kit	Description	Option(s)	Remark
1	PJ111017420	1							Cyl Head Kit		
2		1							•Cylinder head		ORDER ITEM NO 1
3	PJ064200010	3					OP		•Plug		
4	PJ064200018	7							•Plug		
5	PJ064200025	3							•Plug		
6	PJ064200025	3							•Plug		
7	PJ064200030	1							•Plug		
8	PJ064200030	1							•Plug		
9	PJ120166350	4							•Valve		
10	PJ120176360	4							•Valve		
11	PJ110136390	4					NS		•Socket		
12	PJ120406070	4							•Seal		
13	PJ120406050	4							•Seal		
14	PJ198216700	8							•Spring		
15	PJ120226070	16							•Cone		
16	PJ120186080	8							•Cap		
17	PJ120216040	8							Cap		
18	PJ111136370	4					OP		Screw		
19	PJ111136360	14					OP		Screw		
20	PJ111147460	1					SS		Cyl Head Gasket		

Date: 2013/12/11	Image id: A66S1	Catalogue: 10011	Model: EW50
Brand: Volvo	Serial: 10151-99999	Group/Section: 211/300	Title: Lubrication oil filler and breather

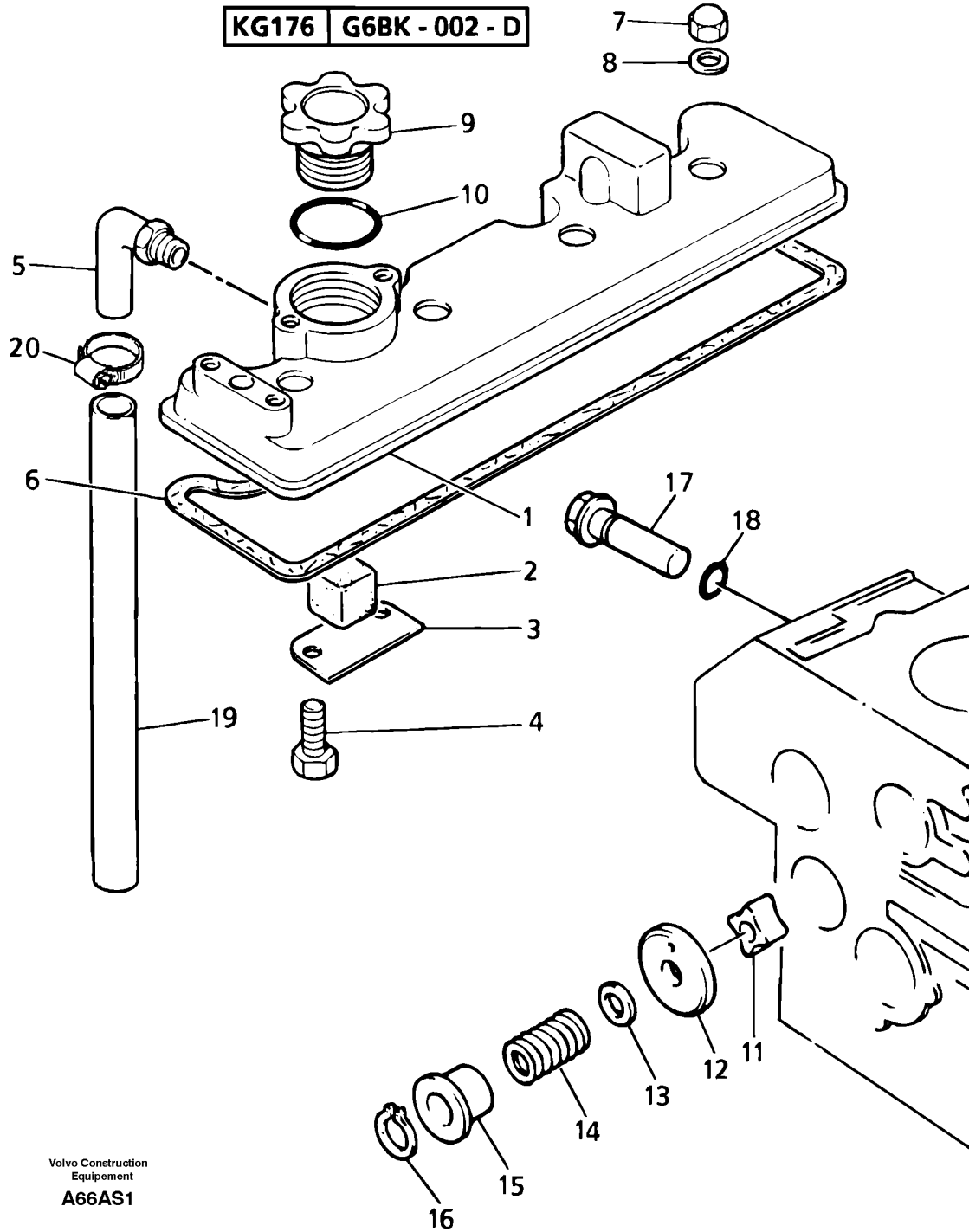


Q1-Q5	Option	Option description	
-------	--------	--------------------	--

Q1 KR80667J			
----------------	--	--	--

Pos	Part	Q1	Q2	Q3	Q4	Q5	PS	Kit	Description	Option(s)	Remark
1	PJ111026150	1							Cover		
2	PJ198436010	1					SS		Plug		
3	PJ052100400	1							Seal		
4		1							Plate		INCL IN 2, ORDER 2
5	PJ024600010	4							Nut		
6	PJ198996071	4					SS		Washer		
7	PJ110666050	1					OP		Plate		
8	PJ110666090	1							Gauze		
9	PJ011300612	2					OP		Bolt		
11	PJ052109072	1							Gasket		
12	PJ140986581	1					OP		Pipe		
14	PJ068109036	1							Hose		
21	PJ198436010	1					SS		Plug		
22	PJ052100400	1							Seal		

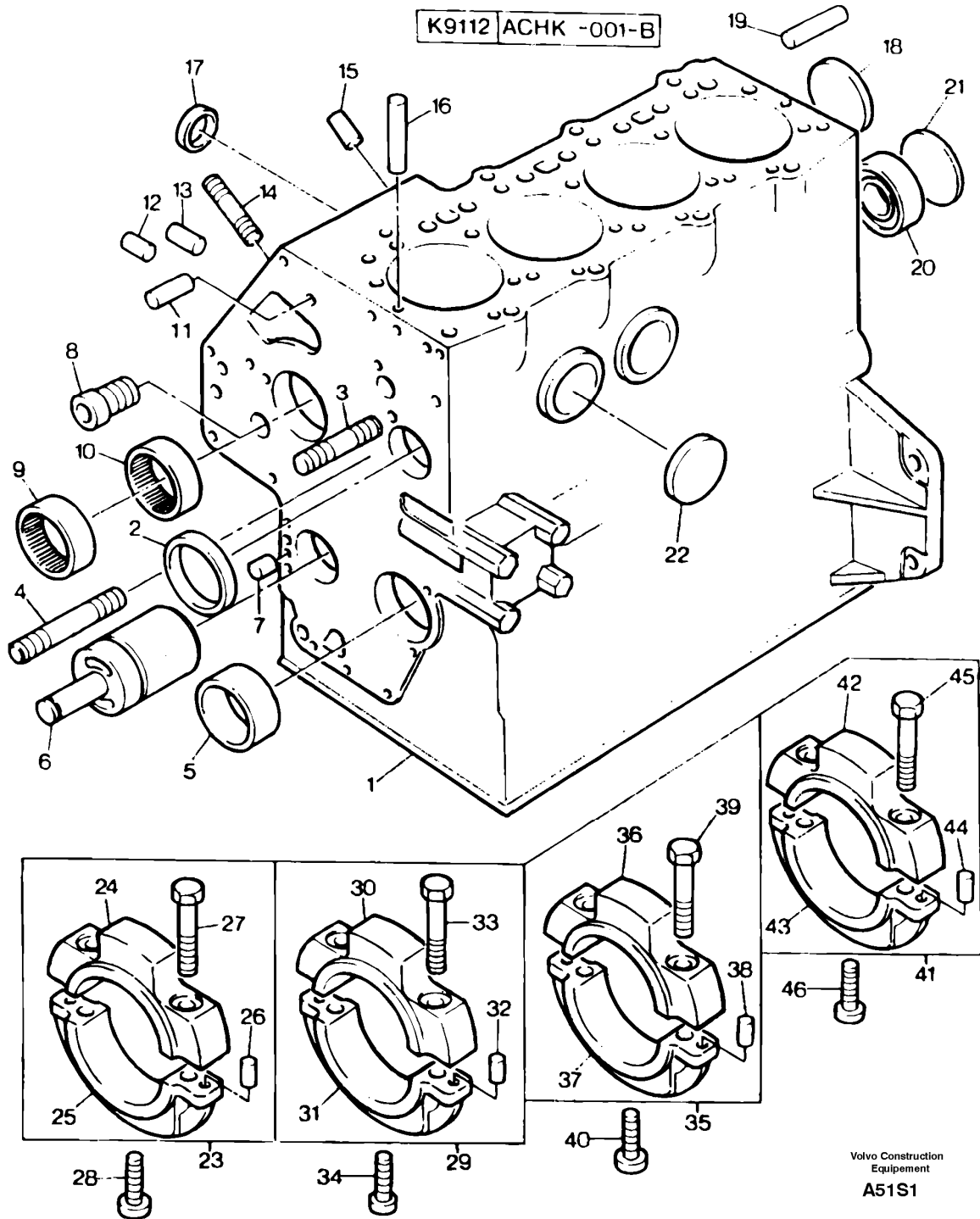
Date: 2013/12/11	Image id: A66AS1	Catalogue: 10011	Model: EW50
Brand: Volvo	Serial: 10151-99999	Group/Section: 211/400	Title: Lubrication oil filler and breather



Q1-Q5	Option	Option description	
Q1	KR80667U		

Pos	Part	Q1	Q2	Q3	Q4	Q5	PS	Kit	Description	Option(s)	Remark
1	PJ111026150	1							Cover		
2	PJ110666090	1							•Gauze		
3	PJ110666050	1					OP		•Plate		
4	PJ011300612	2					OP		•Bolt		
5	PJ140986581	1					OP		•Pipe		
6	PJ052109072	1							Gasket		
7	PJ024600010	4							Nut		
8	PJ131996200	4							Seal		
9	PJ198436010	1					SS		Plug		
10	PJ052100400	1							Seal		
11	PJ140166140	1					OP		Rotor		
12	PJ140116140	1					OP		Cover		
13	PJ199286150	REQ					OP		Shim		THICK = 0,10mm/0.0039in
13	PJ199286160	REQ					OP		Shim		THICK = 0,15mm/0.0059in
13	PJ199286170	REQ					OP		Shim		THICK = 0,20mm/0.0079in
13	PJ199286180	REQ					OP		Shim		THICK = 0,50mm/0.0197in
14	PJ198216720	1					OP		Spring		
15	PJ199236540	1					OP		Cup		
16	PJ036800010	1					OP		Snap Ring		
17	PJ140036220	1							Pressure switch		
18	VOE11712577	1							O-ring		(PJ052109078)
19	PJ068109036	1							Hose		

Date: 2013/12/11	Image id: A51S1	Catalogue: 10011	Model: EW50
Brand: Volvo	Serial: 10151-99999	Group/Section: 212/100	Title: Cylinder block



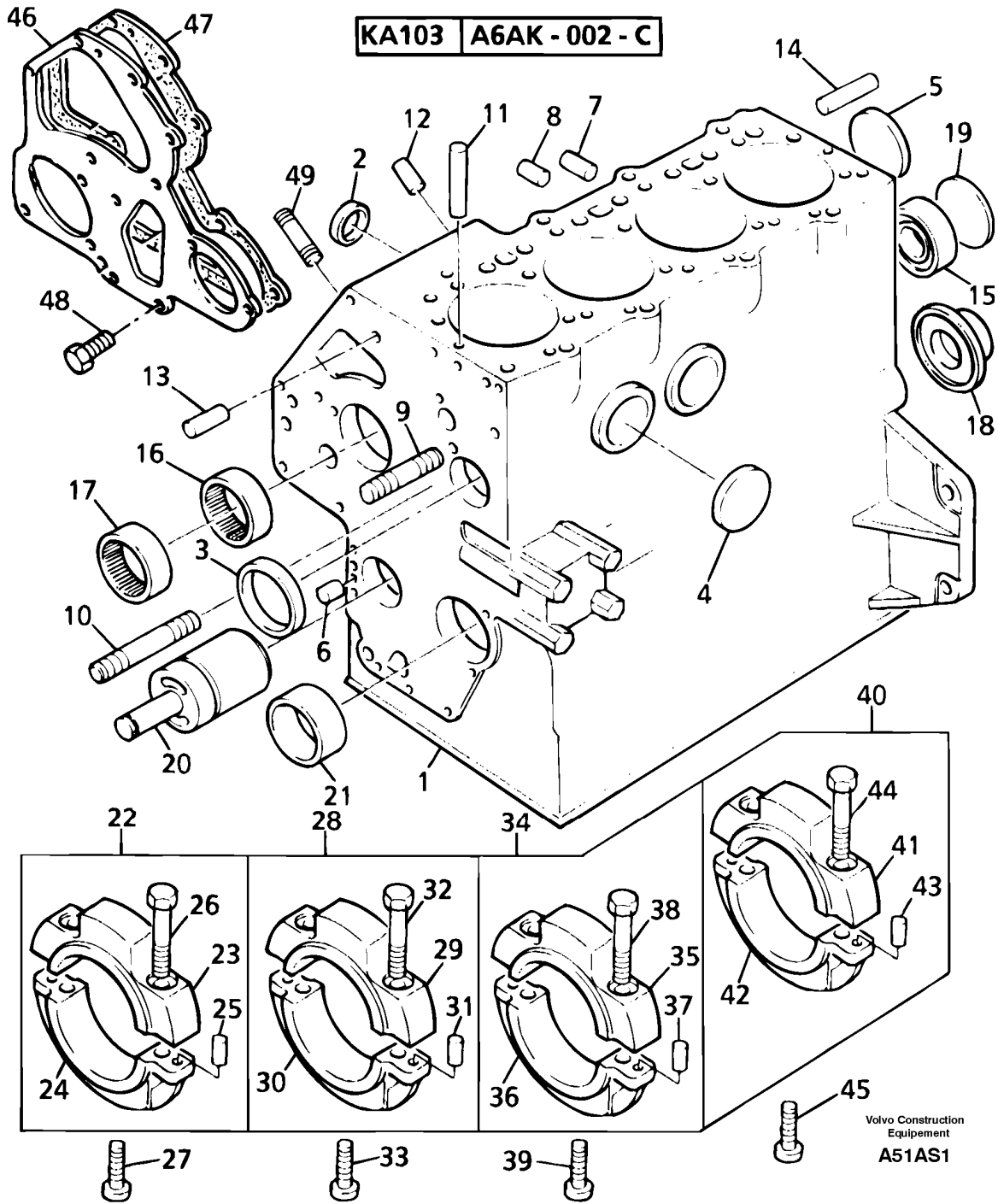
Q1-Q5	Option	Option description	
-------	--------	--------------------	--

Q1 KR80667J			
----------------	--	--	--

Pos	Part	Q1	Q2	Q3	Q4	Q5	PS	Kit	Description	Option(s)	Remark
1	PJ110107790	1					NS		Cylinder block kit		
2	PJ064200040	1							•Plug		
3	PJ012100635	1					OP		•Stud		
4	PJ012100660	1					OP		•Stud		
5	PJ198517220	1					OP		•Bushing		THICK = STD
5	PJ198517224	1					OP		•Bushing		THICK = 0,25mm/0.0098in
5	PJ198517227	1					OP		•Bushing		THICK = 0,50mm/0,0197in
6	PJ165296130	1					OP		•Shaft		
7	PJ198466010	3					OP		•Plug		
8	PJ198517090	1					OP		•Bushing		
9	PJ042309018	1					NS		•Needle bearing		
10	PJ042309017	1					NS		•Needle bearing		
11	PJ030500616	2					OP		•Pin		
12	PJ198466070	4					NS		•Plug		
13	PJ198466020	4					OP		•Plug		
14	PJ012100820	3					OP		•Stud		
15	PJ030500612	2					OP		•Pin		
16	PJ030309005	2					OP		•Pin		
17	PJ064200025	2							•Plug		
18	PJ064200040	1							•Plug		
19	PJ030501025	2					OP		•Pin		
20	PJ040106203	1					OP		•Ball Bearing		
21	PJ064100045	1							•Plug		
22	PJ064200040	3							•Plug		
23	PJ110156360	1					NS		•Bearing Kit		
24		1							•Bearing		ORDER ITEM NO 23
25		1							•Bearing		ORDER ITEM NO 23
26	PJ030500612	2					OP		•Pin		
27	PJ010109406	2					NS		Screw		
28	PJ011311075	1					NS		Screw		
29	PJ110156370	1					NS		Bearing Kit		
30		1							•Bearing		ORDER ITEM NO 29
31		1							•Bearing		ORDER ITEM NO 29
32	PJ030500612	2					OP		•Pin		
33	PJ010109406	2					NS		•Screw		
34	PJ011311075	1					NS		Screw		
35	PJ110156380	1					NS		Bearing Kit		
36		1							•Bearing		ORDER ITEM NO 35
37		1							•Bearing		ORDER ITEM NO 35
38	PJ030500612	2					OP		•Pin		
39	PJ010109406	2					NS		•Screw		

40	PJ011311075	1					NS		Screw		
41	PJ110156390	1							Bearing Kit		
42		1							•Bearing		ORDER ITEM NO 41
43		1							•Bearing		ORDER ITEM NO 41
44	PJ030500612	2					OP		•Pin		
45	PJ010109406	2					NS		•Screw		
46	PJ010700865	2					OP		Screw		

Date: 2013/12/11	Image id: A51AS1	Catalogue: 10011	Model: EW50
Brand: Volvo	Serial: 10151-99999	Group/Section: 212/200	Title: Cylinder block

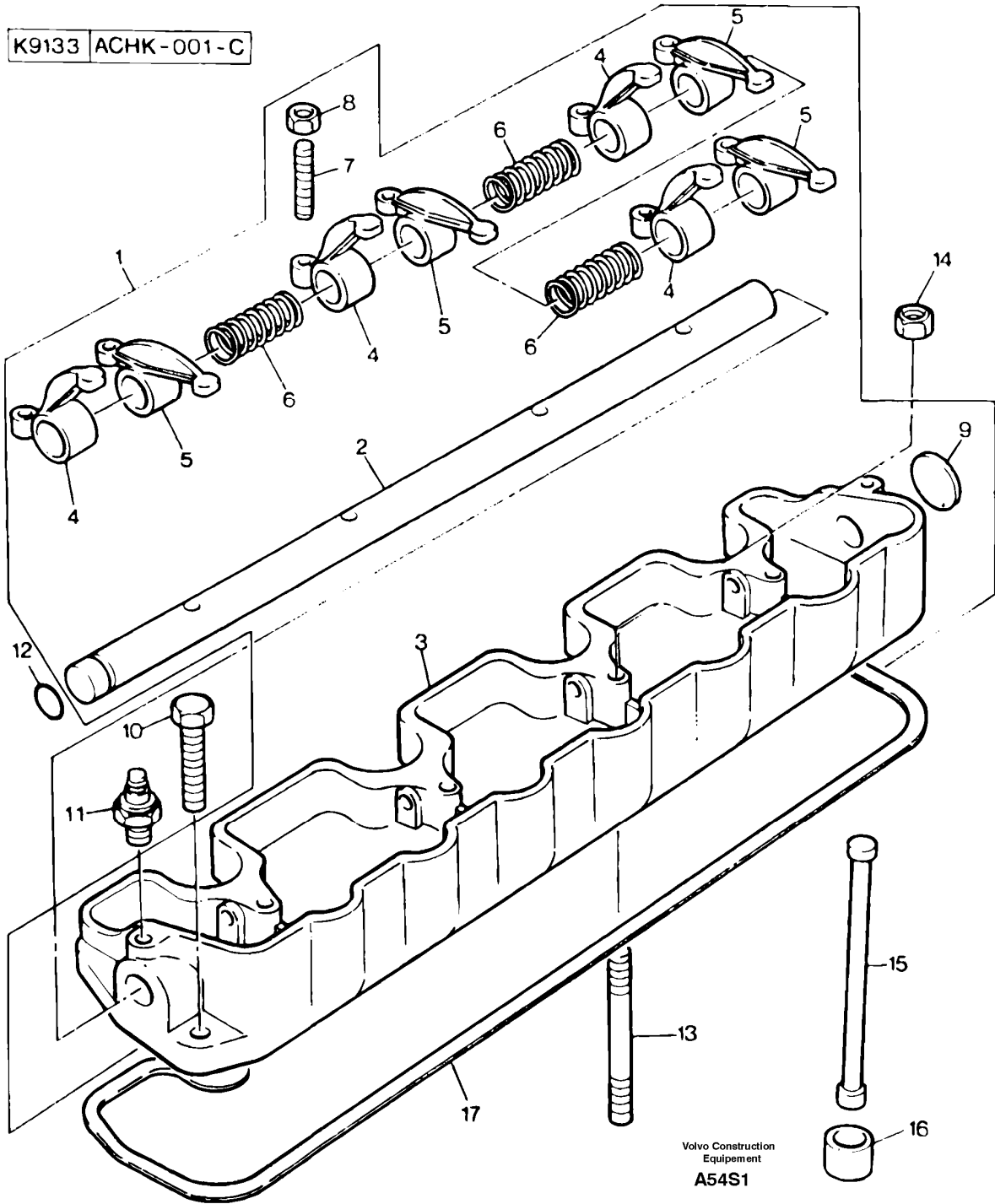


Q1-Q5	Option	Option description	
Q1 KR80667U			

Pos	Part	Q1	Q2	Q3	Q4	Q5	PS	Kit	Description	Option(s)	Remark
1	PJ110103120	1					NS		Cylinder block kit		
2	PJ064200025	2							•Plug		
3	PJ064200040	1							•Plug		
4	PJ064200040	3							•Plug		
5	PJ064200040	1							•Plug		
6	PJ198466010	3					OP		•Plug		
7	PJ198466020	4					OP		•Plug		
8	PJ198466030	4					OP		•Plug		
9	PJ012100635	1					OP		Stud		
10	PJ012100660	1					OP		Stud		
11	PJ030309005	2					OP		Pin		
12	PJ030500612	2					OP		Pin		
13	PJ030500616	2					OP		Pin		
14	PJ030501025	2					OP		Pin		
15	PJ040106203	1					OP		Ball Bearing		
16	PJ042309017	1					NS		Needle bearing		
17	PJ042309018	1					NS		Needle bearing		
18	PJ050209083	1							Seal		
19	PJ064100045	1							Plug		
20	VOE11714016	1							Shaft		(PJ165296131)
21	PJ198517220	1					OP		Bushing		THICK = STD
21	PJ198517224	1					OP		Bushing		THICK = 0,25mm/0,0098in
21	PJ198517227	1					OP		Bushing		THICK = 0,50mm/0,0197in
22	PJ110156360	1					NS		Bearing Kit		
23		1							•Bearing		ORDER ITEM NO 22
24		1							•Bearing		ORDER ITEM NO 22
25	PJ030500612	2					OP		•Pin		
26	PJ010109406	2					NS		•Screw		
27	PJ011311075	1					NS		Screw		
28	PJ110156370	1					NS		Bearing Kit		
29		1							•Bearing		ORDER ITEM NO 28
30		1							•Bearing		ORDER ITEM NO 28
31	PJ030500612	2					OP		•Pin		ORDER ITEM NO 28
32	PJ010109406	2					NS		•Screw		
33	PJ011311075	1					NS		Screw		
34	PJ110156380	1					NS		Bearing Kit		
35		1							•Bearing		ORDER ITEM NO 34
36		1							•Bearing		ORDER ITEM NO 34
37	PJ030500612	2					OP		•Pin		
38	PJ010109406	2					NS		•Screw		
39	PJ011311075	1					NS		Screw		
40	PJ110156390	1							Bearing Kit		
41		1							•Bearing		ORDER ITEM NO 40
42		1							•Bearing		ORDER ITEM NO 40

43	PJ030500612	2					OP		•Pin		
44	PJ010109406	2					NS		•Screw		
45	PJ010700865	2					OP		Screw		
46	PJ165166221	1					OP		Plate		
47	PJ165996540	1							Seal		
48	PJ011300612	2					OP		Bolt		
49	PJ010109441	3					NS		Stud		

Date: 2013/12/11	Image id: A54S1	Catalogue: 10011	Model: EW50
Brand: Volvo	Serial: 10151-99999	Group/Section: 214/100	Title: Rocker arm shaft

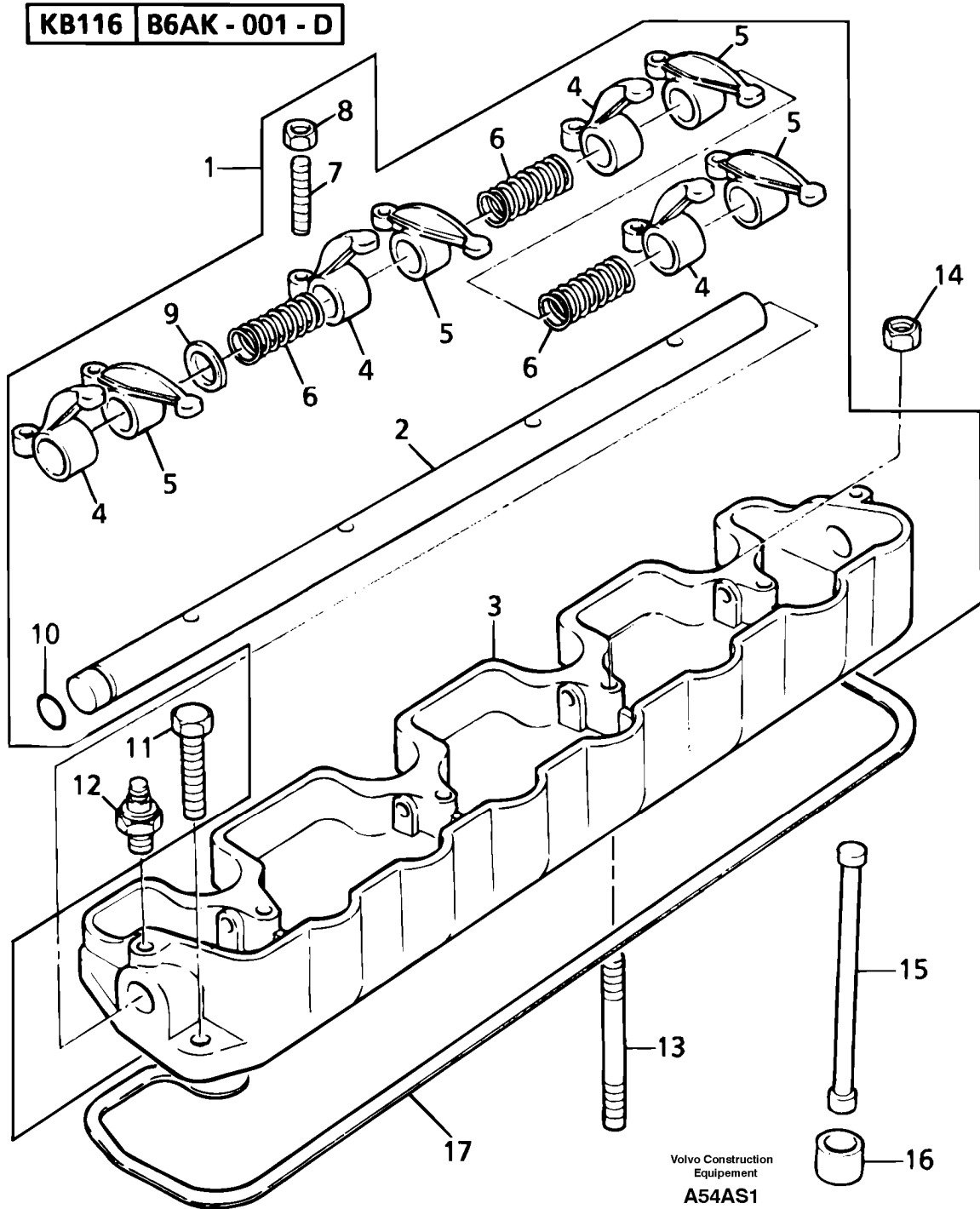


Q1-Q5	Option	Option description

Q1 KR80667J			
----------------	--	--	--

Pos	Part	Q1	Q2	Q3	Q4	Q5	PS	Kit	Description	Option(s)	Remark
1	PJ120036391	1							Rocker shaft		
2	PJ120316200	1					NS		•Rocker Arm Shaft		
3	PJ120346260	1					SS		•Support		
4	PJ120356131	4							•Rocker Arm		
5	PJ120356141	4					NS		•Rocker Arm		
6	PJ198217170	3					NS		•Spring		
7	PJ199486220	8							•Screw with pin		
8	PJ020109076	8							•Nut		
9	PJ064200015	1							•Plug		
10	PJ011300650	1					NS		Screw		
11	PJ185246060	1							Pressure Switch		
12	PJ052109076	1							O-ring		
13	PJ012109044	4					NS		Stud		
14	PJ023109002	4					OP		Nut		
15	PJ120456310	8							Rod		
16	PJ120116160	8					NS		Tappet		
17	PJ052109074	1							Gasket		
18	PJ199280300	6					NS		Washer		

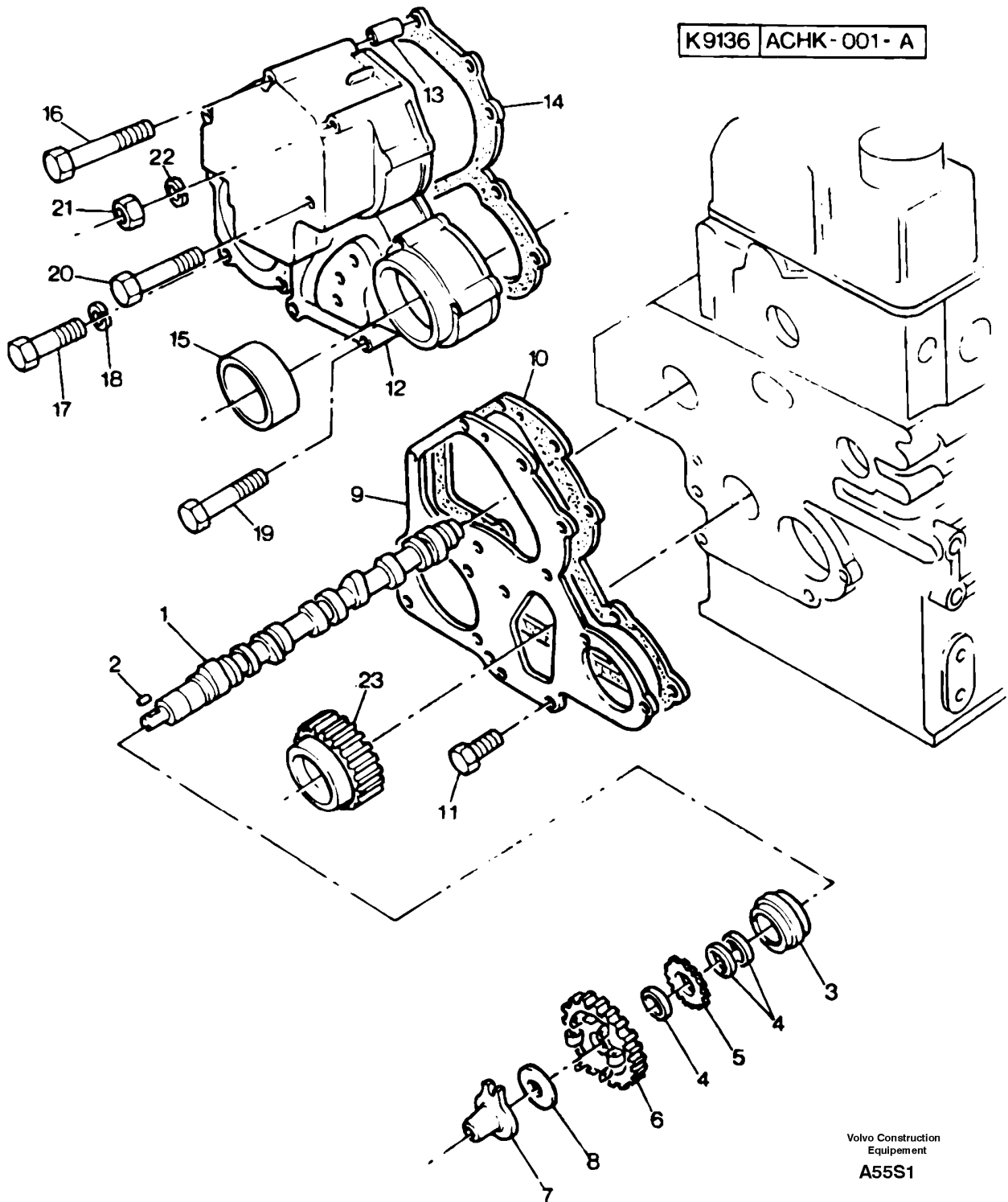
Date: 2013/12/11	Image id: A54AS1	Catalogue: 10011	Model: EW50
Brand: Volvo	Serial: 10151-99999	Group/Section: 214/200	Title: Rocker arm shaft



Q1-Q5	Option	Option description	
Q1 KR80667U			

Pos	Part	Q1	Q2	Q3	Q4	Q5	PS	Kit	Description	Option(s)	Remark
1	PJ120036393	1					NS		Rocker shaft		
2	PJ120316200	1					NS		•Rocker Arm Shaft		
3	PJ120346341	1							•Support		(PJ120346262)
4	PJ120356131	4							•Rocker Arm		
5	PJ120356141	4					NS		•Rocker Arm		
6	PJ198217170	3					NS		•Spring		
7	PJ199486220	8							•Screw with pin		
8	PJ020109076	8							•Nut		
9	PJ199280300	6					NS		•Washer		
10	PJ052109076	1							•O-ring		
11	PJ011300650	1					NS		Screw		
12	PJ185246060	1							Pressure Switch		
13	PJ012109044	4					NS		Stud		
14	PJ023109002	4					OP		Nut		
15	PJ120456310	8							Rod		
16	PJ120116160	8					NS		Tappet		
17	PJ052109074	1							Gasket		

Date: 2013/12/11	Image id: A55S1	Catalogue: 10011	Model: EW50
Brand: Volvo	Serial: 10151-99999	Group/Section: 215/100	Title: Timing gear and camshaft

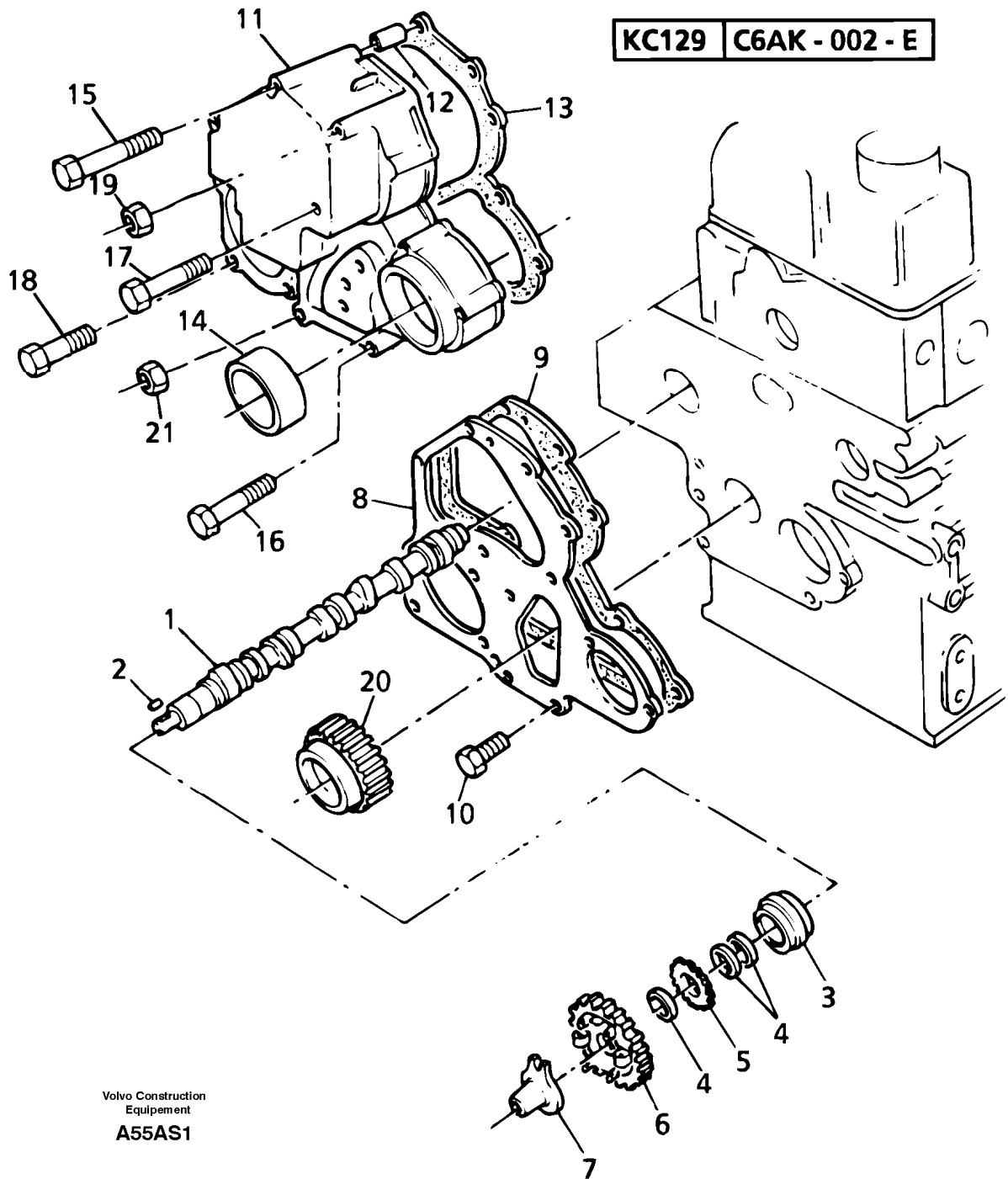


Q1-Q5	Option	Option description	
-------	--------	--------------------	--

Q1 KR80667J			
----------------	--	--	--

Pos	Part	Q1	Q2	Q3	Q4	Q5	PS	Kit	Description	Option(s)	Remark
1	PJ120026320	1							Camshaft		
2	PJ034100508	1							•Key		
3	PJ040109057	1					NS		•Bearing Bushing		
4	PJ199216230	3					OP		•Spacer		
5	PJ120736081	1					OP		•Pinion		
6	PJ120016050	1					OP		•Pinion		
7	PJ125256120	1					OP		Tappet		
9	PJ165166221	1					OP		Plate		
10	PJ165996361	1					SS		Seal		
11	PJ011300612	2					OP		Bolt		
12	PJ165106092	1							Oil Pan		
13	PJ030300414	1							•Pin		
14	PJ165996351	1					SS		Seal		
15	PJ198636160	1							Seal		
16	PJ011300645	6					OP		Screw		
19	PJ011300680	2					OP		Screw		
20	PJ011300660	5					OP		Screw		
21	PJ023100006	1							Nut		
23		1							Pinion		

Date: 2013/12/11	Image id: A55AS1	Catalogue: 10011	Model: EW50
Brand: Volvo	Serial: 10151-99999	Group/Section: 215/200	Title: Timing gear and camshaft



Q1-Q5	Option	Option description	
-------	--------	--------------------	--

Thank you so much for reading.
Please click the “Buy Now!”
button below to download the
complete manual.



After you pay.

You can download the most
perfect and complete manual in
the world immediately.

Our support email:

ebooklibonline@outlook.com