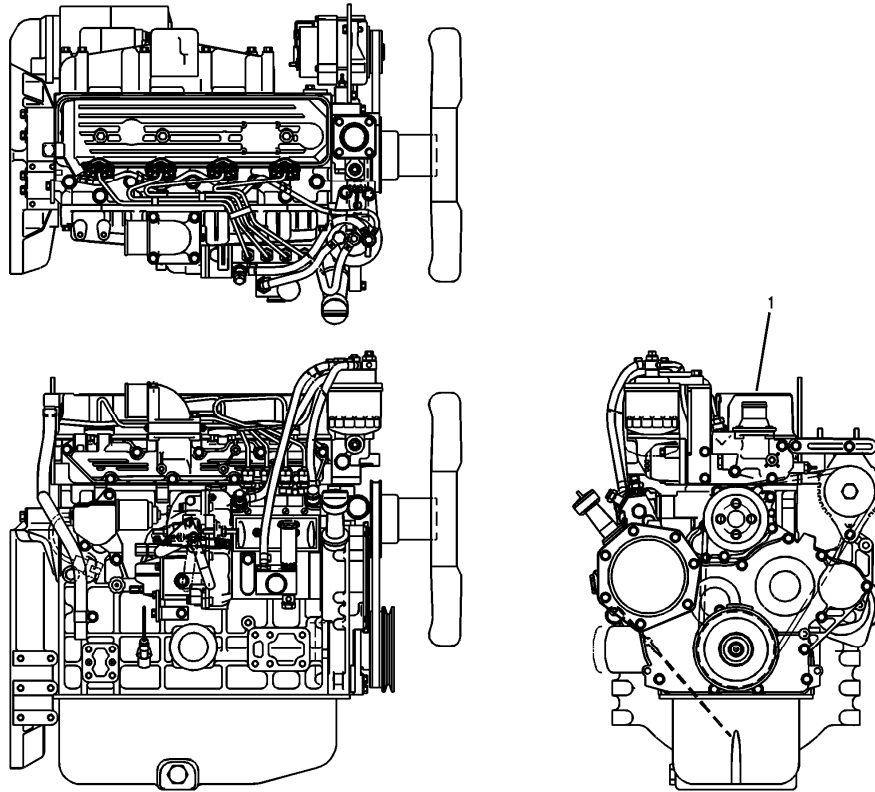


Date: 2013/12/15	Image id: SM101	Catalogue: 56130	Model: EW55
Brand: Volvo	Serial: 5001-9999	Group/Section: 210/100	Title: Engine



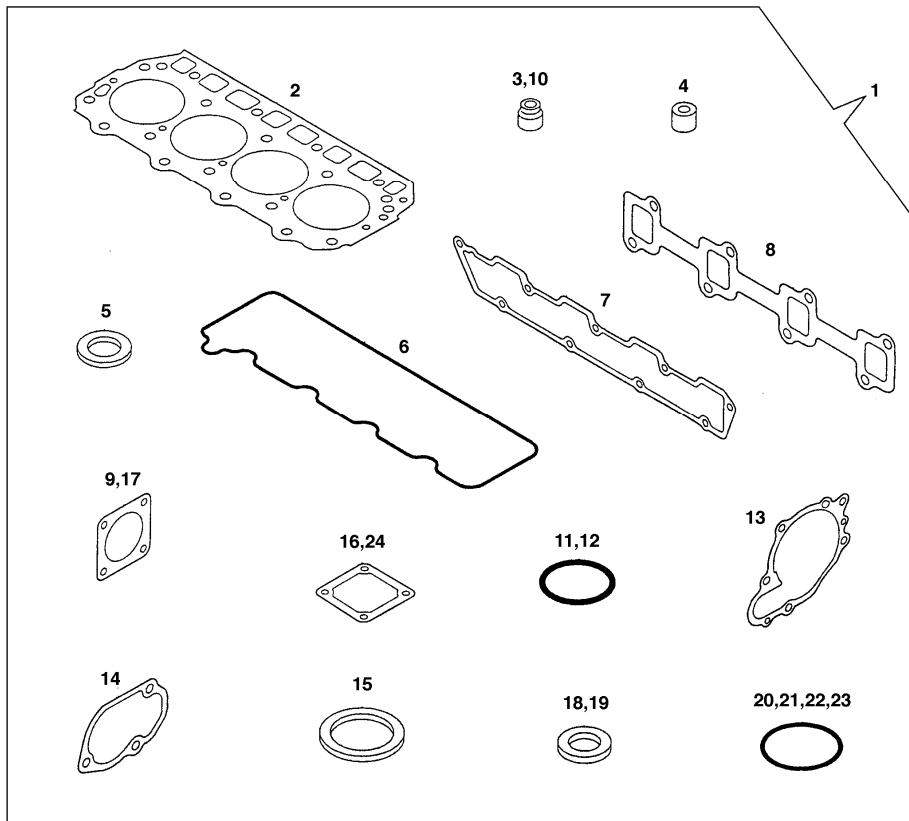
Volvo Construction
Equipment
SM101

Section option	Kit	Option description
SAAK04B001		Engine without Epa label US market- EPA = Environmental Protection Agency.
SAAL04B002		Engine with Epa label US MARKET-EPA = ENVIRONMENTAL PROTECTION AGENCY.

Q1-Q5	Option	Option description	
Q1 AK04B001	SAAK04B001	Engine without Epa label US market- EPA = Environmental Protection Agency.	
Q2 AL04B002 SER NO 5630-	SAAL04B002	Engine with Epa label US MARKET-EPA = ENVIRONMENTAL PROTECTION AGENCY.	

Pos	Part	Q1	Q2	Q3	Q4	Q5	PS	Kit	Description	Option(s)	Remark
1	VOE14510329	1					OP		Engine		(SA1110-30011)SER NO 5001-5167
	VOE14509620	1					OP		Engine		SER NO 5168-
	VOE14510332		1						Engine		SER NO 5630-

Date: 2013/12/15	Image id: SM102	Catalogue: 56130	Model: EW55
Brand: Volvo	Serial: 5001-9999	Group/Section: 210/200	Title: Repair kits for engine



Volvo Construction
Equipment
SM102

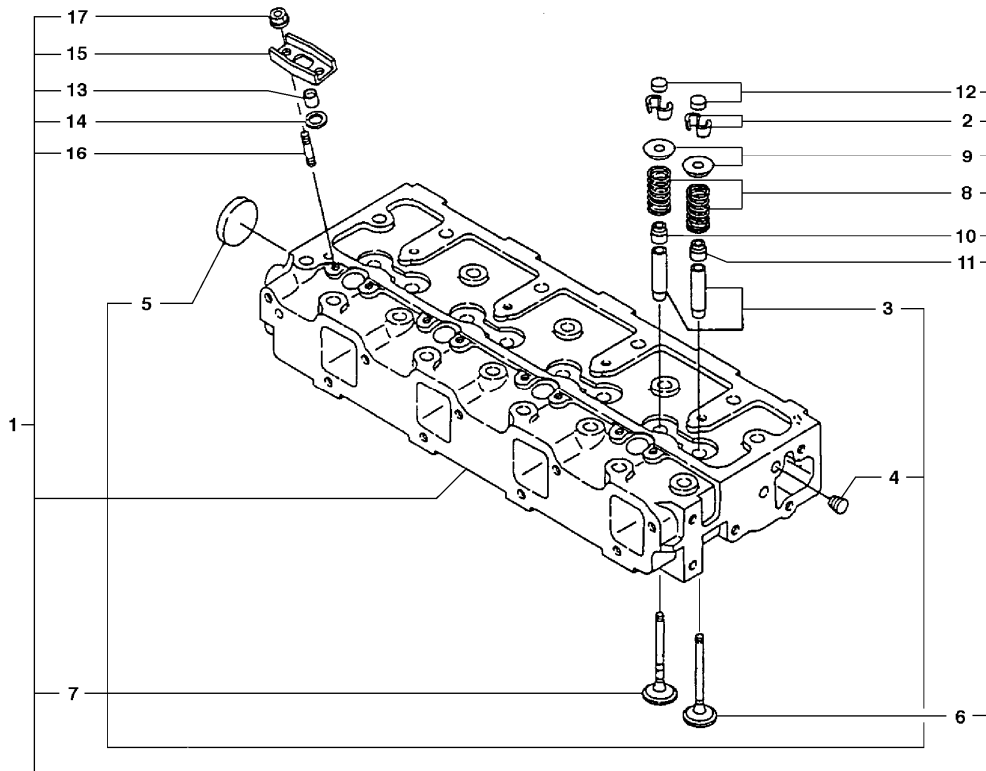
Section option	Kit	Option description
SAAK04B001		Engine without Epa label US market- EPA = Environmental Protection Agency.
SAAL08B002		Operator seat, suspended

Q1-Q5	Option	Option description	
Q1 AK04B001	SAAK04B001	Engine without Epa label US market- EPA = Environmental Protection Agency.	
Q2 AL08B002 SER NO 5630-	SAAL08B002	Operator seat, suspended	

Pos	Part	Q1	Q2	Q3	Q4	Q5	PS	Kit	Description	Option(s)	Remark
1	SA8210-06160	1	1						Gasket kit		
2	SA8210-04280	1	1						Gasket		
3	SA8210-06770	4	4						Seal		
4	SA8210-01980	4	4						Nozzle		
5	SA8210-08770	4	4				SS		Seat		

6	SA8210-04470	1	1						Gasket		
7	SA8210-04540	1	1						Gasket		
8	VOE11714737	1	1						Gasket		(SA8210-04570)
9	SA8210-03840	1	1						Gasket		NON ASB
10	SA8210-06740	4	4						Seal		
11	VOE11714738	2	2						O-ring		(SA8210-04770)P20
12	VOE11714739	1	1						O-ring		(SA8210-04780)P14
13	SA8210-04820	1	1						Gasket		
14	SA8210-04840	1	1						Gasket		
15	VOE11714740	1	1						Gasket		(SA8210-02790)
16	VOE11714741	1	1						Gasket		(SA8210-02840)NON ASB
17	SA8210-02780	1	1						Gasket		
18	VOE11714477	2	2						Gasket		(SA8210-05580)
19	VOE11714478	2	2						Gasket		(SA8210-03370)
20	SA8210-08860	1	1						O-ring		1AP-7.0
21	VOE11714386	3	3						O-ring		(SA8210-08870) 1AP-12.0
22	SA8210-05750	1	1						O-ring		1AP-24.0
23	VOE11714371	2	2						O-ring		(SA8210-08880) 1AP-32.0
24	VOE11714827	1	1						Gasket		(SA8210-01870)

Date: 2013/12/15	Image id: SM103	Catalogue: 56130	Model: EW55
Brand: Volvo	Serial: 5001-9999	Group/Section: 211/100	Title: Cylinder head



Volvo Construction
Equipment
SM103

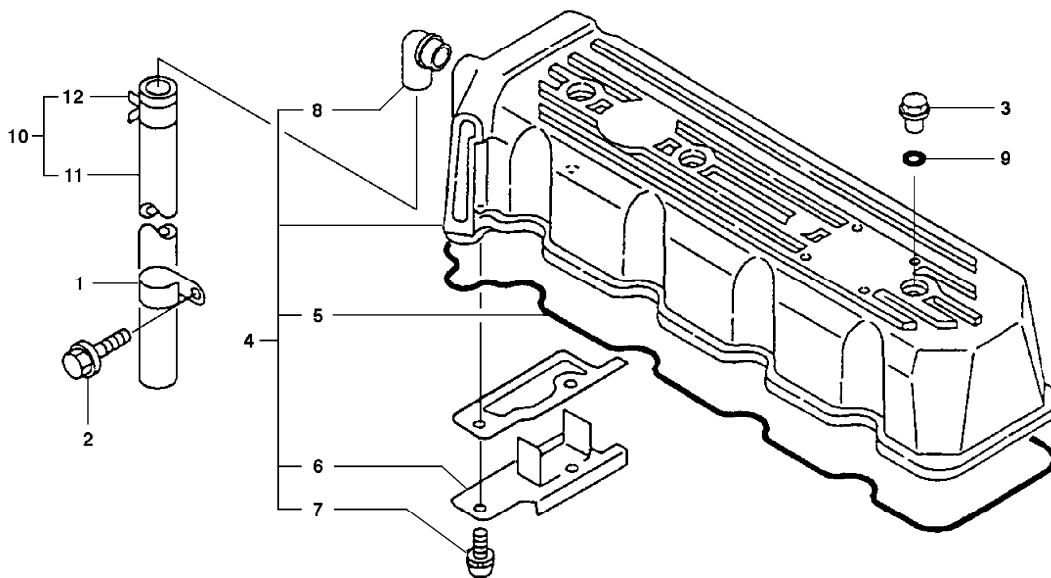
Section option	Kit	Option description
SAAK04B001		Engine without Epa label US market- EPA = Environmental Protection Agency.
SAAL04B002		Engine with Epa label US MARKET-EPA = ENVIRONMENTAL PROTECTION AGENCY.

Q1-Q5	Option	Option description	
Q1 AK04B001	SAAK04B001	Engine without Epa label US market- EPA = Environmental Protection Agency.	
Q2 AL04B002 SER NO 5630-	SAAL04B002	Engine with Epa label US MARKET-EPA = ENVIRONMENTAL PROTECTION AGENCY.	

Pos	Part	Q1	Q2	Q3	Q4	Q5	PS	Kit	Description	Option(s)	Remark
1	SA8210-06150	1	1						Cylinder head		
2	SA8210-05850	16	16						•Cotter Pin		
3	VOE11714713	8	8						•Valve guide		(SA8210-03690)
4	SA8210-05630	1	1						•Plug		
5	VOE11714379	1	1						•Plug		(SA8210-05840)

6	SA8210-04410	4	4						•Valve		INLET
7	SA8210-04420	4	4						•Valve		EXHAUST
8	SA8210-04430	8	8						•Spring		
9	SA8210-04250	8	8						•Retainer		
10	SA8210-06740	4	4						•Seal		
11	SA8210-06770	4	4						•Seal		
12	VOE11713647	8	8						•Cap		(SA8210-03670)
13	SA8210-01980	4	4						•Nozzle		
14	SA8210-08770	4	4				SS		•Seat		
15	SA8210-02000	4	4						•Retainer		
16	VOE15065819	8	8						•Stud		(SA8240-02010)
17	SA8240-02080	8	8						•Nut		

Date: 2013/12/15	Image id: SM104	Catalogue: 56130	Model: EW55
Brand: Volvo	Serial: 5001-9999	Group/Section: 211/200	Title: Valve cover



Volvo Construction
Equipment
SM104

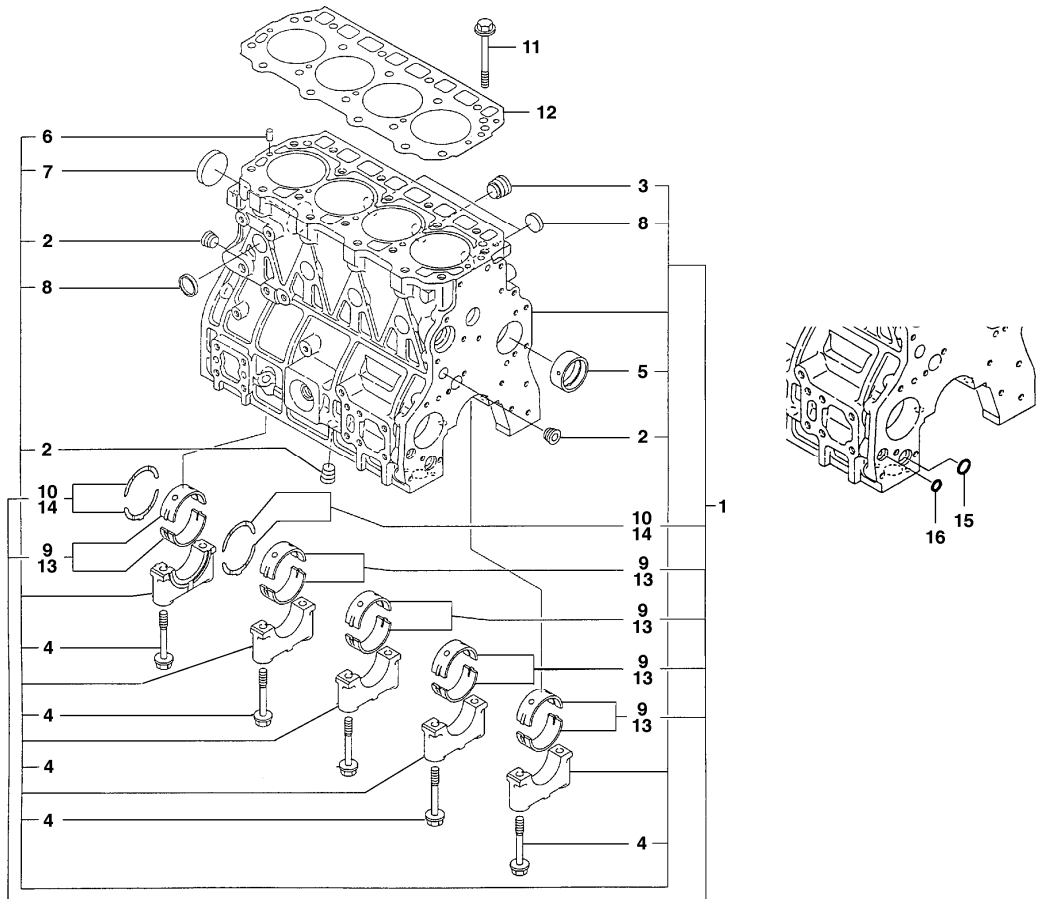
Section option	Kit	Option description
SAAK04B001		Engine without Epa label US market- EPA = Environmental Protection Agency.
SAAL04B002		Engine with Epa label US MARKET-EPA = ENVIRONMENTAL PROTECTION AGENCY.

Q1-Q5	Option	Option description	
Q1 AK04B001	SAAK04B001	Engine without Epa label US market- EPA = Environmental Protection Agency.	
Q2 AL04B002 SER NO 5630-	SAAL04B002	Engine with Epa label US MARKET-EPA = ENVIRONMENTAL PROTECTION AGENCY.	

Pos	Part	Q1	Q2	Q3	Q4	Q5	PS	Kit	Description	Option(s)	Remark
1	VOE11714824	1	1						Clamp		(SA8210-03650)
2	VOE11714490	1	1						Bolt		(SA8240-01670)
3	VOE11714385	3	3						Flange cap nut		(SA8210-03250)
4	SA8210-05160	1	1						Hood		
5	SA8210-04470	1	1						•Gasket		
6	SA8210-04510	1	1						•Plate		

7	SA8210-05530	2	2				SS		•Screw		
8	SA8210-01780	1	1						•Joint		
9	VOE11714386	3	3						O-ring		(SA8210-08870)
10	SA8210-05100	1	1						Hose		
11	SA8210-01690	1	1						•Hose		
12	VOE11714822	1	1						•Hose clamp		(SA8210-05180)

Date: 2013/12/15	Image id: SM105	Catalogue: 56130	Model: EW55
Brand: Volvo	Serial: 5001-9999	Group/Section: 212/100	Title: Cylinder block



Volvo Construction
Equipment
SM105

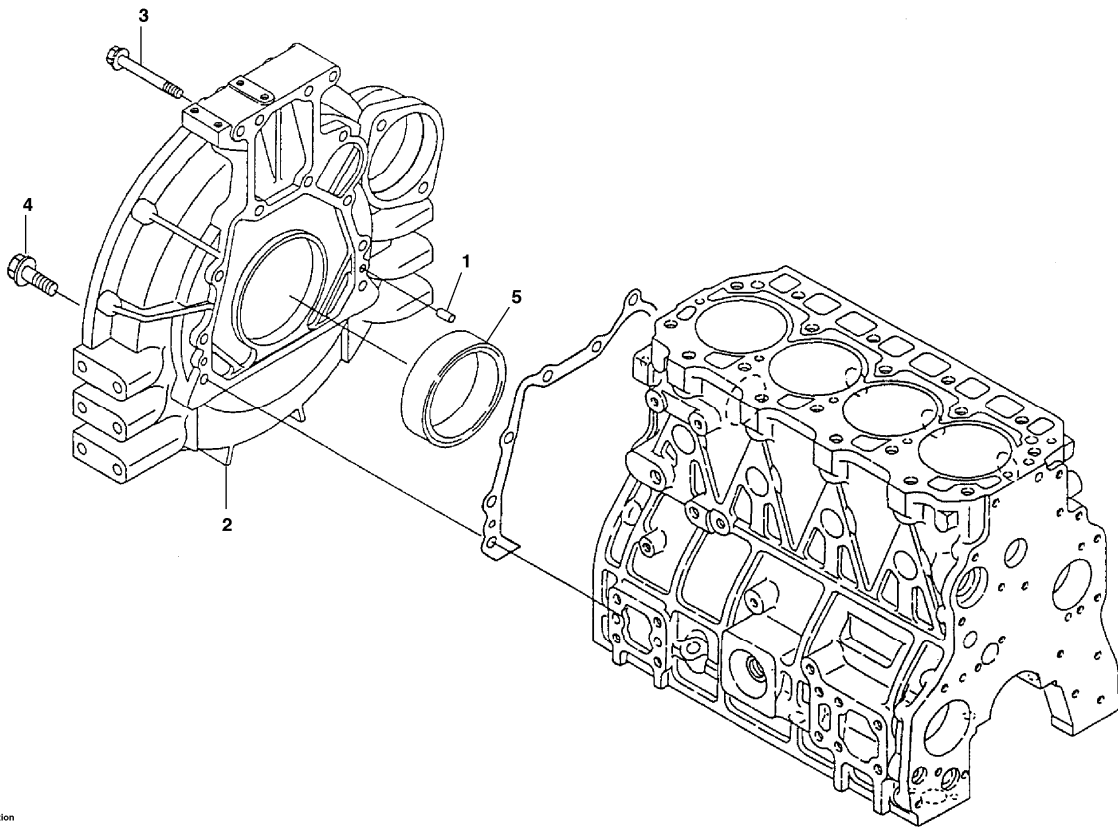
Section option	Kit	Option description
SAAK04B001		Engine without Epa label US market- EPA = Environmental Protection Agency.
SAAL04B002		Engine with Epa label US MARKET-EPA = ENVIRONMENTAL PROTECTION AGENCY.

Q1-Q5	Option	Option description	
Q1 AK04B001	SAAK04B001	Engine without Epa label US market- EPA = Environmental Protection Agency.	
Q2 AL04B002 SER NO 5630-	SAAL04B002	Engine with Epa label US MARKET-EPA = ENVIRONMENTAL PROTECTION AGENCY.	

Pos	Part	Q1	Q2	Q3	Q4	Q5	PS	Kit	Description	Option(s)	Remark
1	SA8210-06130	1	1						Cylinder block		
2	SA8210-05640	3	3						•Plug		
3	SA8210-05320	1	1				SS		•Plug		
4	VOE11714756	10	10						•Screw		(SA8210-04340)
5	VOE11714757	1	1						•Bushing		(SA8210-04360)

6	VOE11714387	2	2						•Spring pin		(SA8240-01340)
7	SA8210-05790	1	1						•Plug		
8	VOE11714369	8	8						•Plug		(SA8210-06750)
9	SA8210-04370	5	5					SS	•Bearing		MAIN
10	VOE15057699	2	2						•Thrust washer		(SA8210-04380) THRUST
11	VOE11714759	18	18						Screw		(SA8210-04270)
12	SA8210-04280	1	1						Gasket		
13	VOE11714760	5	5						Main bearing		(SA8210-04350) USZ=0.25
14	VOE11714761	2	2						Thrust washer		(SA8210-04390) OSZ=0.25
15	VOE11714738	1	1						O-ring		(SA8210-04770)
16	VOE11714739	1	1						O-ring		(SA8210-04780)

Date: 2013/12/15	Image id: SM106	Catalogue: 56130	Model: EW55
Brand: Volvo	Serial: 5001-9999	Group/Section: 212/300	Title: Flywheel housing



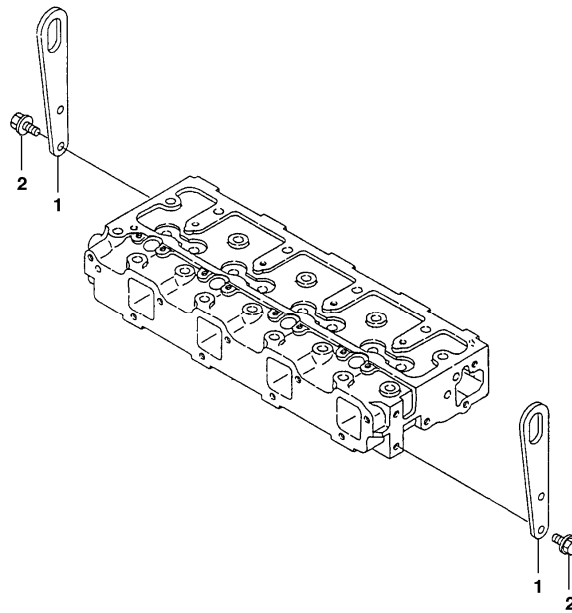
Volvo Construction
Equipment
SM106

Section option	Kit	Option description
SAAK04B001		Engine without Epa label US market- EPA = Environmental Protection Agency.
SAAL04B002		Engine with Epa label US MARKET-EPA = ENVIRONMENTAL PROTECTION AGENCY.

Q1-Q5	Option	Option description	
Q1 AK04B001	SAAK04B001	Engine without Epa label US market- EPA = Environmental Protection Agency.	
Q2 AL04B002 SER NO 5630-	SAAL04B002	Engine with Epa label US MARKET-EPA = ENVIRONMENTAL PROTECTION AGENCY.	

Pos	Part	Q1	Q2	Q3	Q4	Q5	PS	Kit	Description	Option(s)	Remark
1	VOE11714376	2	2						Pin		(SA8210-03530)
2	VOE11714762	1	1						Flywheel housing		(SA8210-04290)
3	VOE11714764	4	4						Screw		(SA8240-01990)
4	VOE11714763	9	9						Screw		(SA8240-01980)
5	SA8210-03350	1	1				SS		Seal		

Date: 2013/12/15	Image id: SM107	Catalogue: 56130	Model: EW55
Brand: Volvo	Serial: 5001-9999	Group/Section: 212/500	Title: Lifting eye



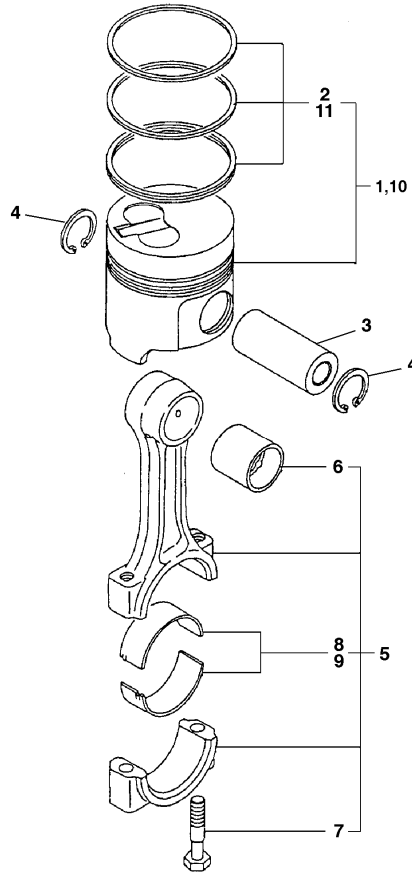
Volvo Construction
Equipment
SM107

Section option	Kit	Option description
SAAK04B001		Engine without Epa label US market- EPA = Environmental Protection Agency.
SAAL04B002		Engine with Epa label US MARKET-EPA = ENVIRONMENTAL PROTECTION AGENCY.

Q1-Q5	Option	Option description	
Q1 AK04B001	SAAK04B001	Engine without Epa label US market- EPA = Environmental Protection Agency.	
Q2 AL04B002 SER NO 5630-	SAAL04B002	Engine with Epa label US MARKET-EPA = ENVIRONMENTAL PROTECTION AGENCY.	

Pos	Part	Q1	Q2	Q3	Q4	Q5	PS	Kit	Description	Option(s)	Remark
1	VOE11714378	2	2						Lift		(SA8210-04400)
2	VOE11714372	4	4						Screw		(SA8240-01680)

Date: 2013/12/15	Image id: SM108	Catalogue: 56130	Model: EW55
Brand: Volvo	Serial: 5001-9999	Group/Section: 213/100	Title: Connecting rod and piston



Volvo Construction
Equipment
SM108

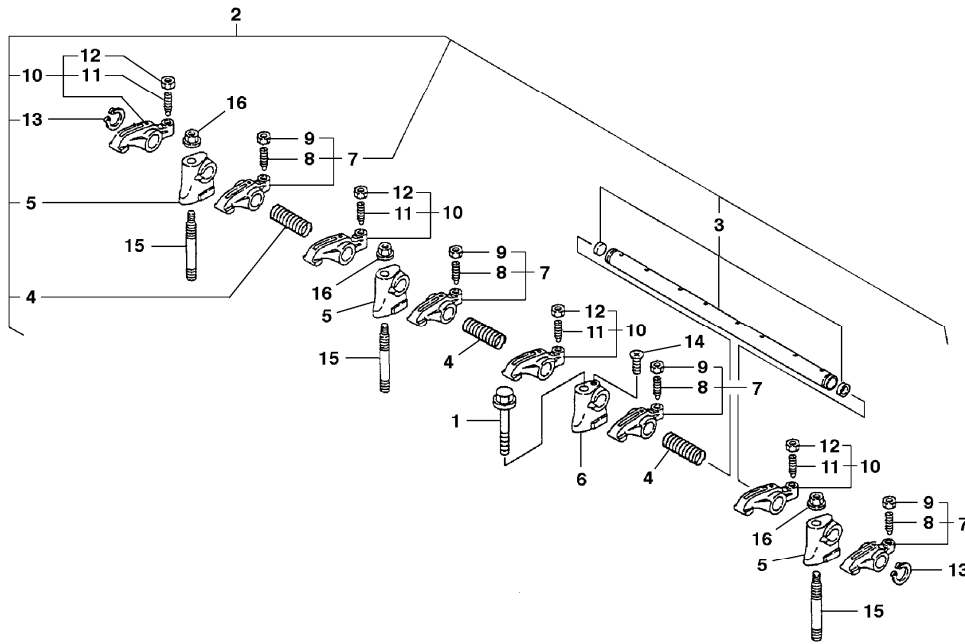
Section option	Kit	Option description
SAAK04B001		Engine without Epa label US market- EPA = Environmental Protection Agency.
SAAL04B002		Engine with Epa label US MARKET-EPA = ENVIRONMENTAL PROTECTION AGENCY.

Q1-Q5	Option	Option description	
Q1 AK04B001	SAAK04B001	Engine without Epa label US market- EPA = Environmental Protection Agency.	
Q2 AL04B002 SER NO 5630-	SAAL04B002	Engine with Epa label US MARKET-EPA = ENVIRONMENTAL PROTECTION AGENCY.	

Pos	Part	Q1	Q2	Q3	Q4	Q5	PS	Kit	Description	Option(s)	Remark
1	VOE14509612	4	4						Piston		
2	VOE14509613	4	4						•Ring		
3	VOE11714797	4	4						Gudgeon pin		(SA8210-02170)
4	SA8240-01140	8	8						Retaining ring		
5	VOE11714799	4	4						Connecting rod		(SA8210-04680)

6	SA8210-04720	4	4						•Bushing		
7	VOE11714801	8	8						•Screw		(SA8210-04690)
8	VOE11714802	4	4						•Piston Bearing		(SA8210-04700)
9	VOE11714803	4	4						Piston Bearing		(SA8210-04710) USZ=0.25
10	VOE14515299	4	4						Piston		(SA8210-04670) OSZ=0.25
	VOE14521492	4	4						Piston		0.50 O SZ
11	SA8210-05030	4	4						•Ring		OSZ=0.25, SET
	VOE14521493	1	1						•Ring		0.50 O SZ

Date: 2013/12/15	Image id: SM109	Catalogue: 56130	Model: EW55
Brand: Volvo	Serial: 5001-9999	Group/Section: 214/200	Title: Rocker arm



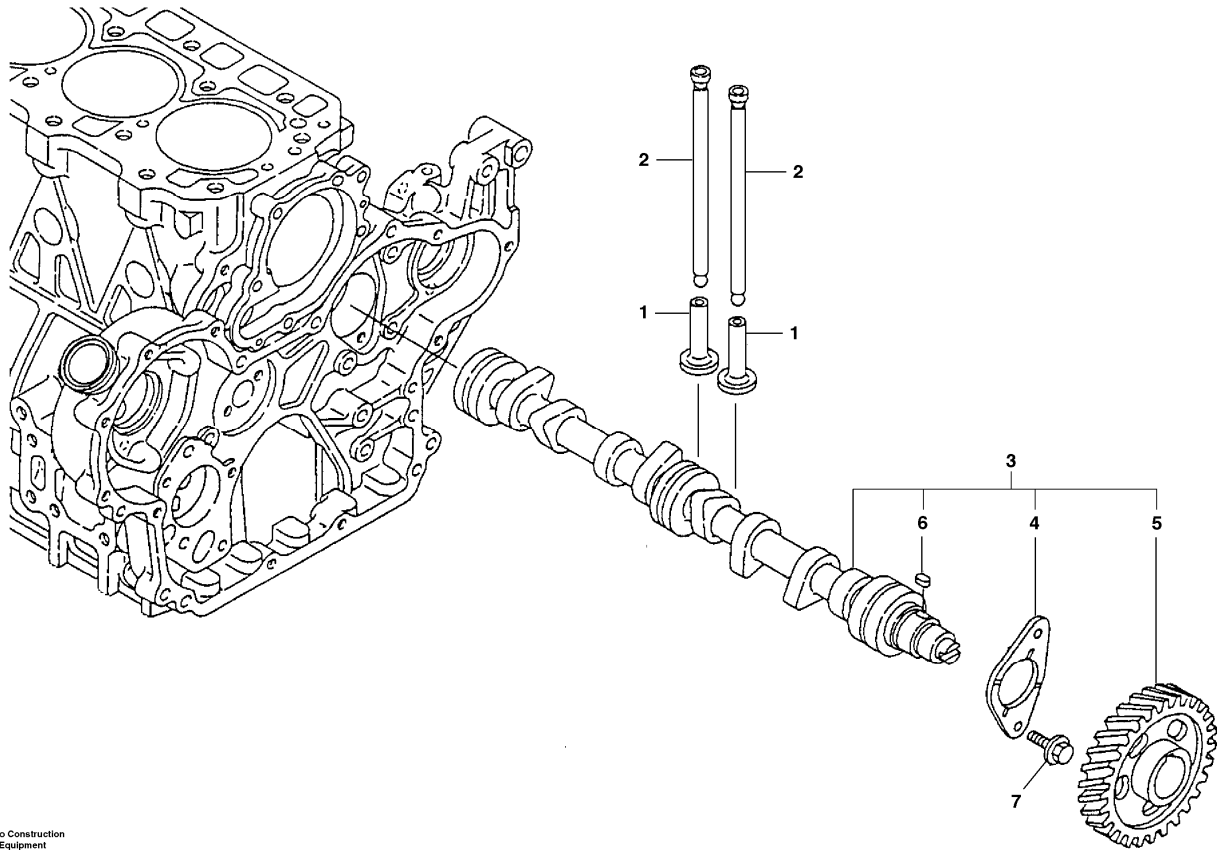
Volvo Construction
Equipment
SM109

Section option	Kit	Option description
SAAK04B001		Engine without Epa label US market- EPA = Environmental Protection Agency.
SAAL04B002		Engine with Epa label US MARKET-EPA = ENVIRONMENTAL PROTECTION AGENCY.

Q1-Q5	Option	Option description	
Q1 AK04B001	SAAK04B001	Engine without Epa label US market- EPA = Environmental Protection Agency.	
Q2 AL04B002 SER NO 5630-	SAAL04B002	Engine with Epa label US MARKET-EPA = ENVIRONMENTAL PROTECTION AGENCY.	

Pos	Part	Q1	Q2	Q3	Q4	Q5	PS	Kit	Description	Option(s)	Remark
1	SA8240-01860	1	1						Bolt		
2	SA8210-04440	1	1						Support		
3	SA8210-04450	1	1						Shaft		
4	SA8210-04460	3	3						Spring		
5	SA8210-04480	3	3						Support		

Date: 2013/12/15	Image id: SM110	Catalogue: 56130	Model: EW55
Brand: Volvo	Serial: 5001-9999	Group/Section: 215/100	Title: Camshaft



Volvo Construction
Equipment
SM110

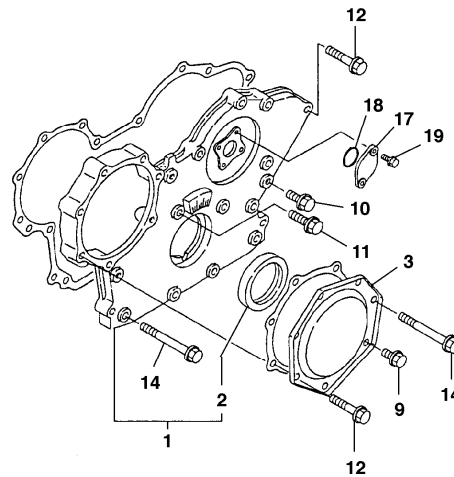
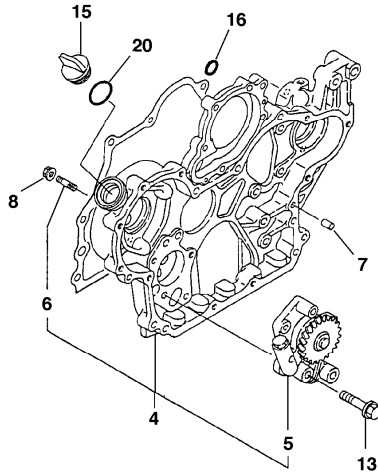
Section option	Kit	Option description
SAAK04B001		Engine without Epa label US market- EPA = Environmental Protection Agency.
SAAL04B002		Engine with Epa label US MARKET-EPA = ENVIRONMENTAL PROTECTION AGENCY.

Q1-Q5	Option	Option description	
Q1 AK04B001	SAAK04B001	Engine without Epa label US market- EPA = Environmental Protection Agency.	
Q2 AL04B002 SER NO 5630-	SAAL04B002	Engine with Epa label US MARKET-EPA = ENVIRONMENTAL PROTECTION AGENCY.	

Pos	Part	Q1	Q2	Q3	Q4	Q5	PS	Kit	Description	Option(s)	Remark
1	SA8210-08810	8	8				SS		Tappet		
2	SA8210-04590	8	8						Rod		
3	SA8210-04600	1	1						Camshaft		
4	SA8210-03640	1	1						•Bearing		
5	SA8210-04580	1	1						•Gear		

6	SA8210-05520	1	1						•Key		
7	VOE11714372	2	2						Screw		(SA8240-01680)

Date: 2013/12/15	Image id: SM111	Catalogue: 56130	Model: EW55
Brand: Volvo	Serial: 5001-9999	Group/Section: 215/200	Title: Timing gear casing



Volvo Construction
Equipment
SM111

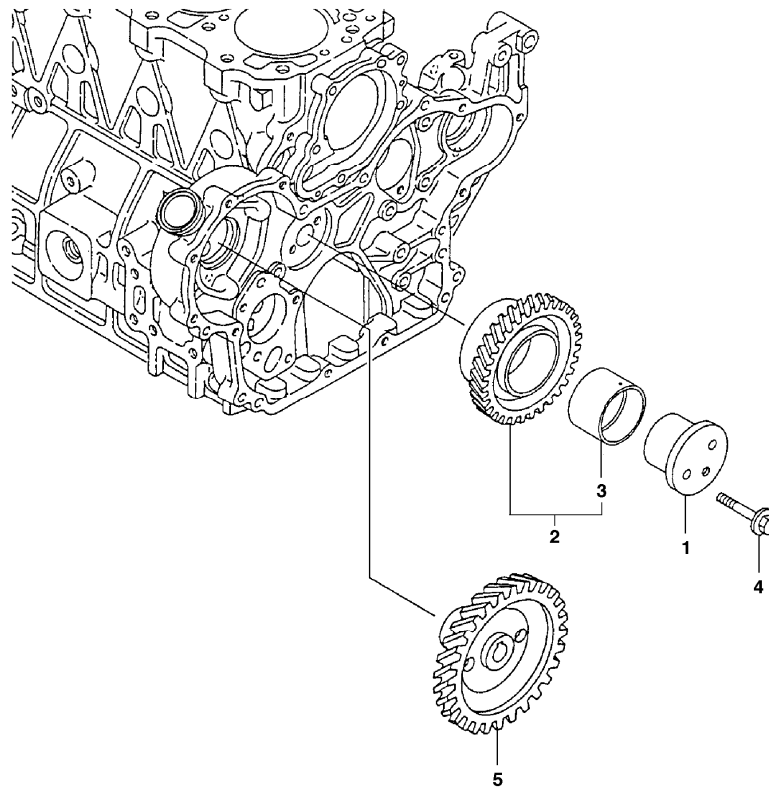
Section option	Kit	Option description
SAAK04B001		Engine without Epa label US market- EPA = Environmental Protection Agency.
SAAL04B002		Engine with Epa label US MARKET-EPA = ENVIRONMENTAL PROTECTION AGENCY.

Q1-Q5	Option	Option description	
Q1 AK04B001	SAAK04B001	Engine without Epa label US market- EPA = Environmental Protection Agency.	
Q2 AL04B002 SER NO 5630-	SAAL04B002	Engine with Epa label US MARKET-EPA = ENVIRONMENTAL PROTECTION AGENCY.	

Pos	Part	Q1	Q2	Q3	Q4	Q5	PS	Kit	Description	Option(s)	Remark
1	SA8210-06140	1	1						Cover		
2	SA8210-04310	1	1						•Seal		
3	VOE11714746	1	1						Cover		(SA8210-04300)
4	SA8210-04320	1	1						Housing		
5	VOE14525387	1	1						•Pump		(SA8210-04760)

6	SA8240-02060	4	4						•Stud		
7	SA8240-01260	4	4						Pin		
8	SA8240-02100	4	4						Nut		
9	VOE11714372	1	1						Bolt		(SA8240-01680)
10	VOE11714388	3	3						Bolt		(SA8240-01700)
11	SA8210-08890	1	1						Bolt		
12	VOE11714487	10	10						Bolt		(SA8240-01710)
13	VOE11714377	3	3						Bolt		(SA8240-01720)
14	VOE14521510	7	7						Bolt		(SA8240-01760)
15	VOE11714383	1	1						Cap		(SA8210-03240)
16	SA8210-08860	1	1						O-ring		
17	VOE11713625	1	1						Cover		(SA8210-02220)
18	SA8210-05750	1	1						O-ring		
19	VOE11714374	2	2						Bolt		(SA8240-01600)
20	VOE11714371	2	2						O-ring		(SA8210-08880)
21	SA8210-05300	1	1						Pipe		

Date: 2013/12/15	Image id: SM112	Catalogue: 56130	Model: EW55
Brand: Volvo	Serial: 5001-9999	Group/Section: 215/250	Title: Timing gear



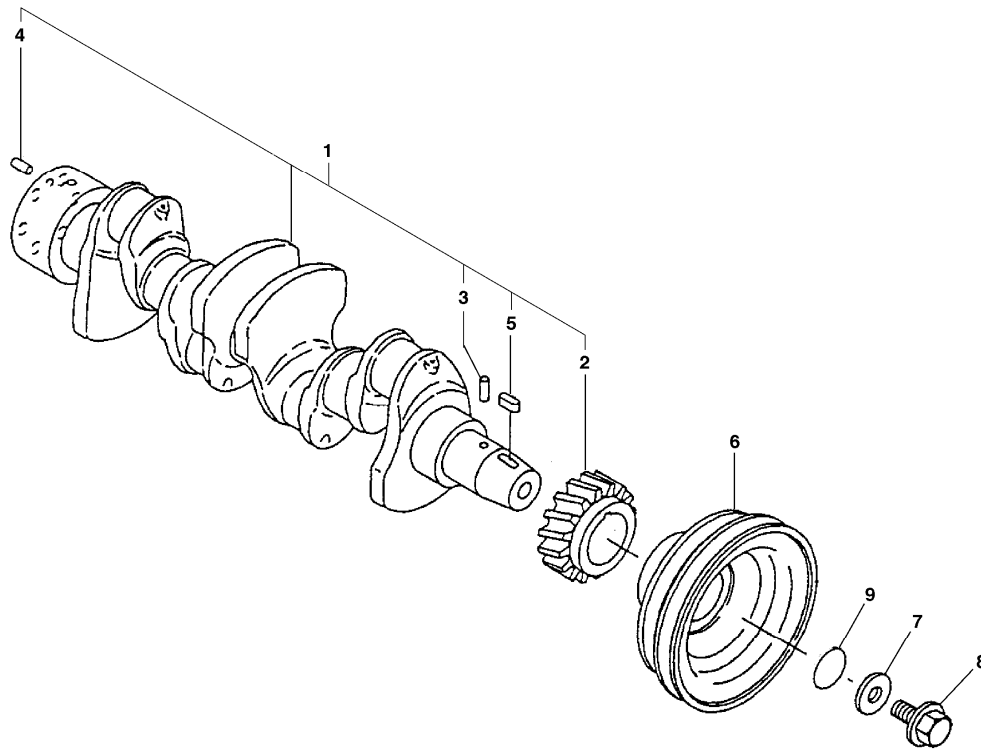
Volvo Construction
Equipment
SM112

Section option	Kit	Option description
SAAK04B001		Engine without Epa label US market- EPA = Environmental Protection Agency.
SAAL04B002		Engine with Epa label US MARKET-EPA = ENVIRONMENTAL PROTECTION AGENCY.

Q1-Q5	Option	Option description	
Q1 AK04B001	SAAK04B001	Engine without Epa label US market- EPA = Environmental Protection Agency.	
Q2 AL04B002 SER NO 5630-	SAAL04B002	Engine with Epa label US MARKET-EPA = ENVIRONMENTAL PROTECTION AGENCY.	

Pos	Part	Q1	Q2	Q3	Q4	Q5	PS	Kit	Description	Option(s)	Remark
1	SA8210-04730	1	1						Shaft		
2	VOE11714785	1	1						Gear		(SA8210-04740)
3	SA8210-03700	1	1						•Bushing		
4	VOE11714373	2	2						Bolt		(SA8240-01730)
5	SA8210-04750	1	1						Gear		

Date: 2013/12/15	Image id: SM113A	Catalogue: 56130	Model: EW55
Brand: Volvo	Serial: 5001-9999	Group/Section: 216/100	Title: Crankshaft



Volvo Construction
Equipment
SM113A

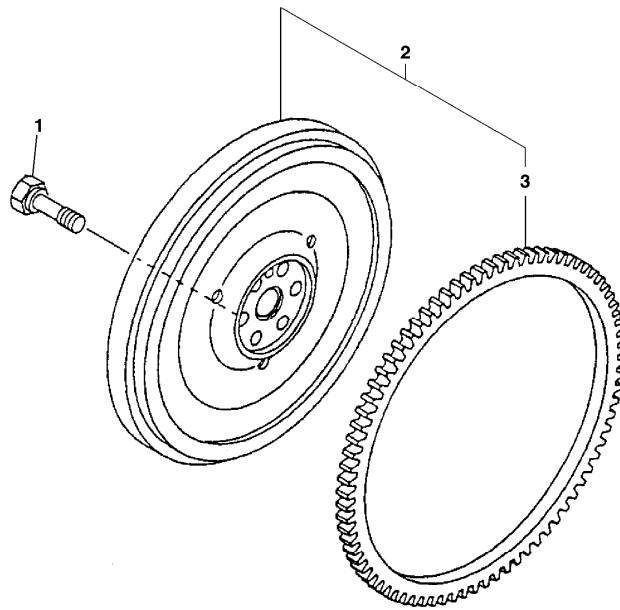
Section option	Kit	Option description
SAAK04B001		Engine without Epa label US market- EPA = Environmental Protection Agency.
SAAL04B002		Engine with Epa label US MARKET-EPA = ENVIRONMENTAL PROTECTION AGENCY.

Q1-Q5	Option	Option description	
Q1 AK04B001	SAAK04B001	Engine without Epa label US market- EPA = Environmental Protection Agency.	
Q2 AL04B002 SER NO 5630-	SAAL04B002	Engine with Epa label US MARKET-EPA = ENVIRONMENTAL PROTECTION AGENCY.	

Pos	Part	Q1	Q2	Q3	Q4	Q5	PS	Kit	Description	Option(s)	Remark
1	SA8210-04610	1	1						Crankshaft		
2	VOE11714790	1	1						•Crankshaft gear		(SA8210-04620)
3	VOE11714791	1	1						•Guide pin		(SA8210-02710)
4	VOE11714792	1	1						•Guide pin		(SA8210-02740)
5	SA8210-05520	1	1						•Key		

6	VOE14509380	1	1						Pulley		
7	VOE14509381	1	1						Washer		
8	SA8210-02730	1	1						Bolt		
9	VOE14509382	1	1						O-ring		

Date: 2013/12/15	Image id: SM114	Catalogue: 56130	Model: EW55
Brand: Volvo	Serial: 5001-9999	Group/Section: 216/200	Title: Flywheel



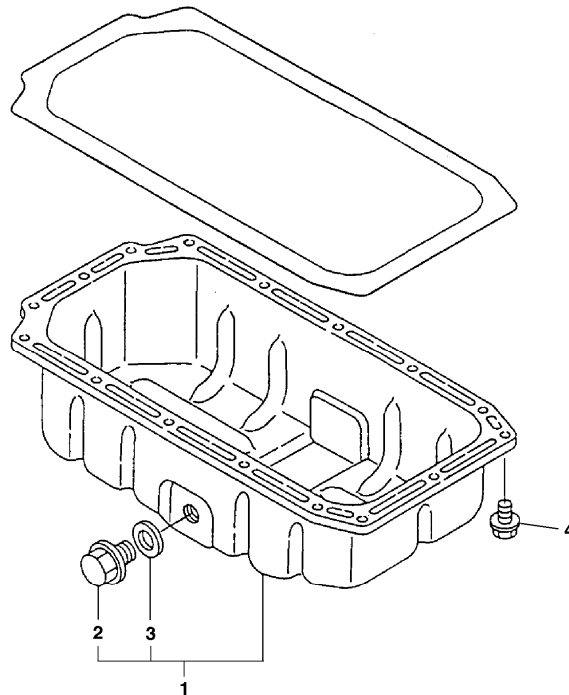
Volvo Construction
Equipment
SM114

Section option	Kit	Option description
SAAK04B001		Engine without Epa label US market- EPA = Environmental Protection Agency.
SAAL04B002		Engine with Epa label US MARKET-EPA = ENVIRONMENTAL PROTECTION AGENCY.

Q1-Q5	Option	Option description	
Q1 AK04B001	SAAK04B001	Engine without Epa label US market- EPA = Environmental Protection Agency.	
Q2 AL04B002 SER NO 5630-	SAAL04B002	Engine with Epa label US MARKET-EPA = ENVIRONMENTAL PROTECTION AGENCY.	

Pos	Part	Q1	Q2	Q3	Q4	Q5	PS	Kit	Description	Option(s)	Remark
1	VOE11714793	6	6						Screw		(SA8210-02690)
2	VOE14500479	1	1						Flywheel		
3	VOE11714795	1	1						•Gear Ring		(SA8210-04630)

Date: 2013/12/15	Image id: SM115	Catalogue: 56130	Model: EW55
Brand: Volvo	Serial: 5001-9999	Group/Section: 217/100	Title: Oil sump



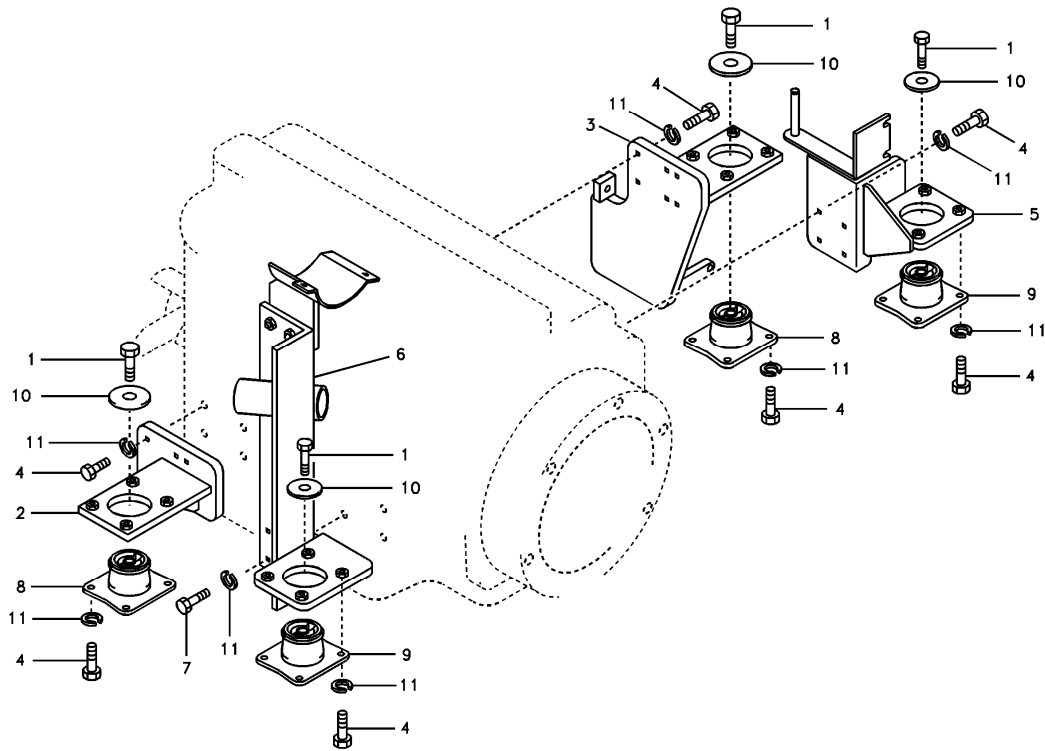
Volvo Construction
Equipment
SM115

Section option	Kit	Option description
SAAK04B001		Engine without Epa label US market- EPA = Environmental Protection Agency.
SAAL04B002		Engine with Epa label US MARKET-EPA = ENVIRONMENTAL PROTECTION AGENCY.

Q1-Q5	Option	Option description	
Q1 AK04B001	SAAK04B001	Engine without Epa label US market- EPA = Environmental Protection Agency.	
Q2 AL04B002 SER NO 5630-	SAAL04B002	Engine with Epa label US MARKET-EPA = ENVIRONMENTAL PROTECTION AGENCY.	

Pos	Part	Q1	Q2	Q3	Q4	Q5	PS	Kit	Description	Option(s)	Remark
1	SA8210-05040	1	1						Oil Pan		
2	SA8210-02010	1	1						Plug		
3	SA8240-01050	1	1						Washer		
4	VOE11714490	21	21						Screw		(SA8240-01670)

Date: 2013/12/15	Image id: 1003555	Catalogue: 56130	Model: EW55
Brand: Volvo	Serial: 5001-9999	Group/Section: 218/100	Title: Engine mount



Volvo Construction
Equipment
1003555

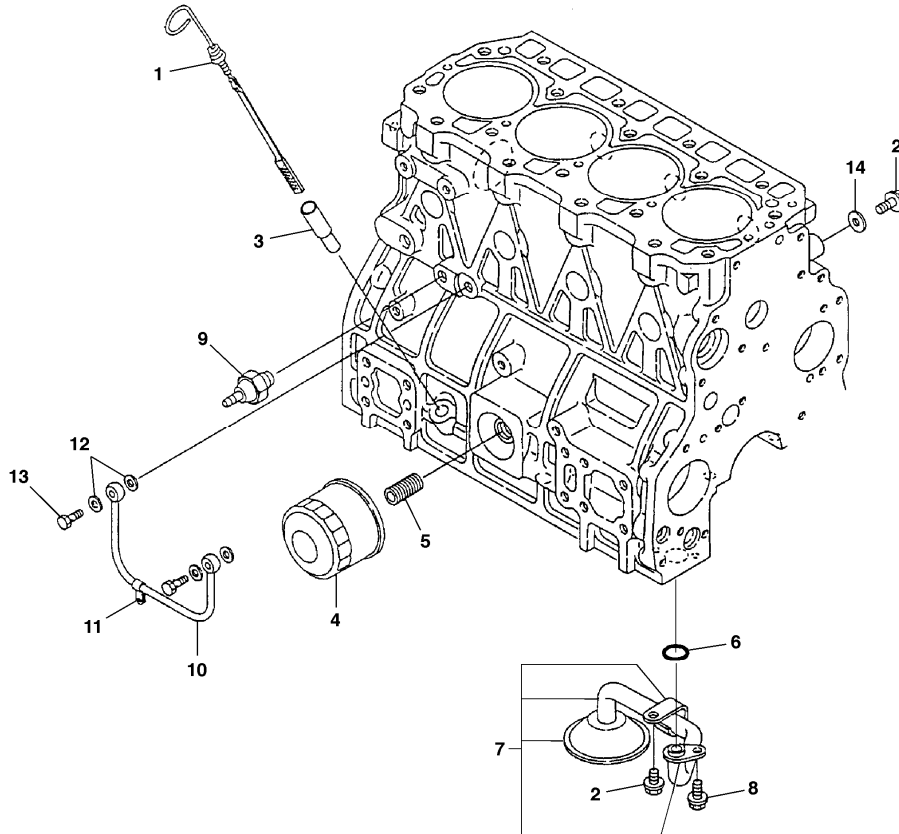
Section option	Kit	Option description
SAAK00A001		Basic Machine EW55

Q1-Q5	Option	Option description	
Q1 AK00A001	SAAK00A001	Basic Machine EW55	

Pos	Part	Q1	Q2	Q3	Q4	Q5	PS	Kit	Description	Option(s)	Remark
1	VOE978941	4							Hexagon screw		
2	SA1112-30382	1							Bracket		
3	SA1112-30393	1					SS		Bracket		
4	VOE983252	30							Hexagon screw		
5	SA1112-30481	1					OP		Bracket		
6	SA1112-30414	1							Bracket		
7	VOE983254	4							Hexagon screw		
8	VOE14592731	2							Cushion		(SA1112-30340)
9	VOE14592730	2							Cushion		(SA1112-30350)

10	SA1112-00830	4							Plate		
11	VOE955922	34							Spring washer		SER NO 5487-

Date: 2013/12/15	Image id: SM117	Catalogue: 56130	Model: EW55
Brand: Volvo	Serial: 5001-9999	Group/Section: 220/300	Title: Lubricating oil system



Volvo Construction
Equipment
SM117

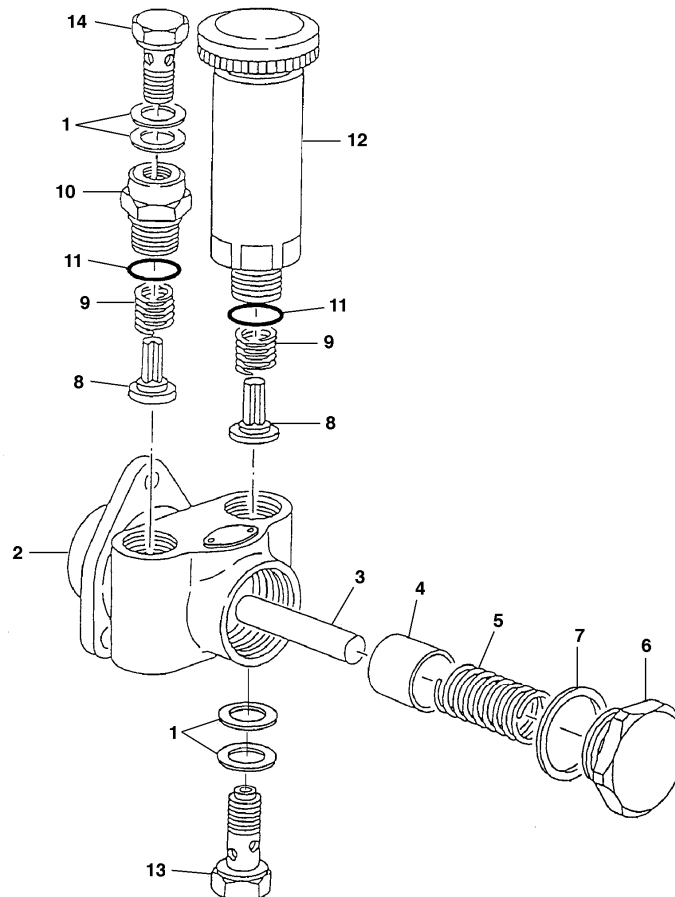
Section option	Kit	Option description
SAAK04B001		Engine without Epa label US market- EPA = Environmental Protection Agency.
SAAL04B002		Engine with Epa label US MARKET-EPA = ENVIRONMENTAL PROTECTION AGENCY.

Q1-Q5	Option	Option description	
Q1 AK04B001	SAAK04B001	Engine without Epa label US market- EPA = Environmental Protection Agency.	
Q2 AL04B002 SER NO 5630-	SAAL04B002	Engine with Epa label US MARKET-EPA = ENVIRONMENTAL PROTECTION AGENCY.	

Pos	Part	Q1	Q2	Q3	Q4	Q5	PS	Kit	Description	Option(s)	Remark
1	SA8210-05390	1	1						Dipstick		
2	VOE11714490	2	2						Bolt		(SA8240-01670)
3	VOE11715318	1	1						Dipstick tube		(SA8210-03930)
4	SA8210-03720	1	1				SS		Oil Filter		
5	VOE11714907	1	1						Fitting		(SA8210-00920)

6	VOE11714738	1	1						O-ring		(SA8210-04770)
7	SA8210-04790	1	1						Pipe		
8	VOE11714372	1	1						Bolt		(SA8240-01680)
9	SA8210-06760	1	1						Switch		
10	SA8210-04800	1	1						Pipe		
11	SA8210-05570	1	1						Retainer		
12	VOE11714477	2	2						Gasket		(SA8210-05580)
13	SA8210-05600	1	1						Bolt		
14	VOE11714476	1	1						Sealing washer		(SA8240-01020)

Date: 2013/12/15	Image id: SM118	Catalogue: 56130	Model: EW55
Brand: Volvo	Serial: 5001-9999	Group/Section: 233/200	Title: Fuel feed pump



Volvo Construction
Equipment
SM118

Q1-Q5	Option	Option description	
Q1 AK04B001	SAAK04B001	Engine without Epa label US market- EPA = Environmental Protection Agency.	
Q2 AL04B002 SER NO 5630-	SAAL04B002	Engine with Epa label US MARKET-EPA = ENVIRONMENTAL PROTECTION AGENCY.	

Pos	Part	Q1	Q2	Q3	Q4	Q5	PS	Kit	Description	Option(s)	Remark
	SA8210-04850	1	1						Feed Pump		
1	SA8210-06310	2	2						•Gasket		
2	SA8210-08260	1	1						•Housing		
3	SA8210-08250	1	1						•Bar		
4	SA8210-08270	1	1						•Piston		
5	SA8210-08280	1	1						•Spring		
6	SA8210-08290	1	1						•Plug		
7	SA8210-08230	1	1						•Gasket		
8	SA8210-08300	2	2						•Valve		

Thank you so much for reading.
Please click the “Buy Now!”
button below to download the
complete manual.



After you pay.

You can download the most
perfect and complete manual in
the world immediately.

Our support email:

ebooklibonline@outlook.com