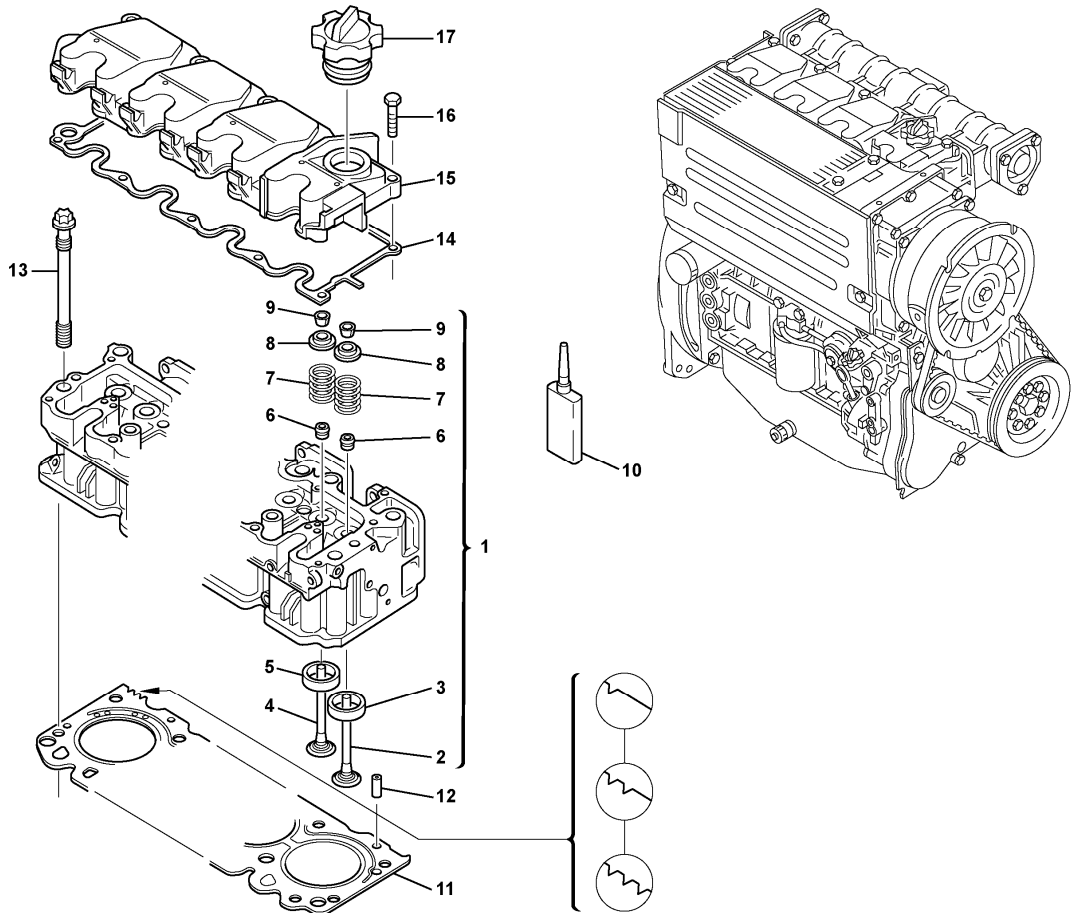


Date: 2013/11/3	Image id: 1003087	Catalogue: 20037	Model: L20B
Brand: Volvo	Serial: 1700500-1705000	Group/Section: 211/100	Title: Cylinder head



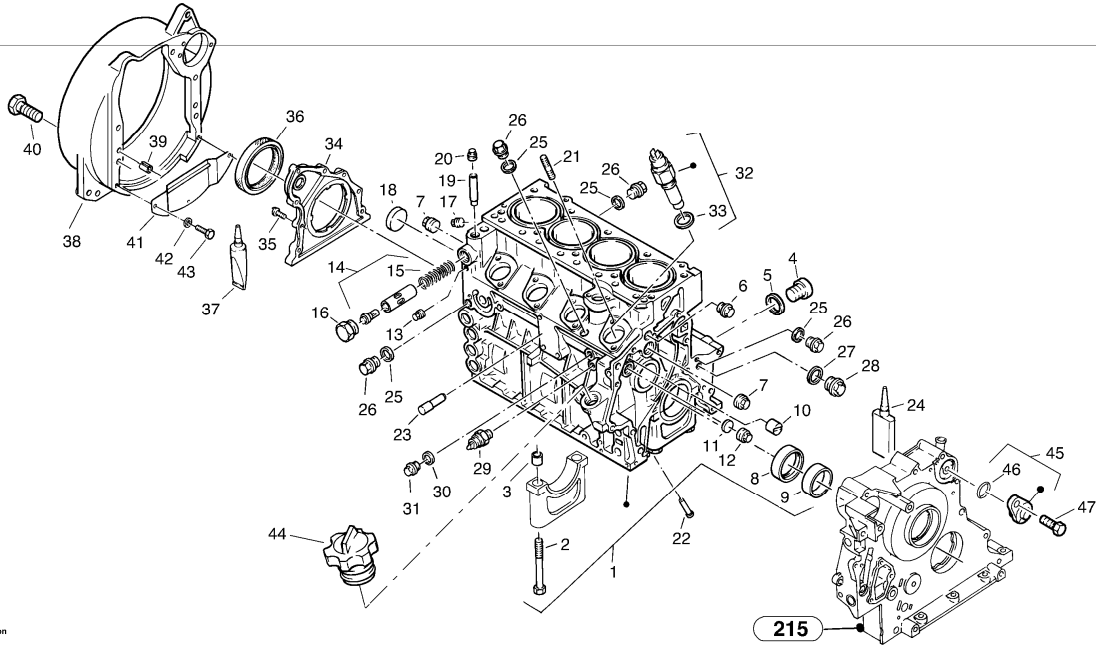
Volvo Construction
Equipment
1003087

Q1-Q5	Option	Option description	
Q1 ENGINE 11306225			
Q2 ENGINE 11308621			
Q3 ENGINE 15211725			

Pos	Part	Q1	Q2	Q3	Q4	Q5	PS	Kit	Description	Option(s)	Remark
1	VOE11370182	1							Cylinder head		
1	VOE15052804		1	1					Cylinder head		
2	ZM2908491	4	4	4					•Inlet valve		
3	VOE11715770	4							•Valve seat ring		(VOE11370183)42,67 MM
3	VOE11370185	REQ							•Valve seat ring		42,87 MM
3	VOE15052903		4	4					•Valve seat		
4	ZM2908492	4	4	4					•Exhaust Valve		

5	VOE11370184	4					SS		•Valve seat ring		37,07 MM
5	ZM2290500	REQ							•Valve seat ring		37,27 MM
5	VOE15052901		4	4					•Valve seat		
6	VOE20459855	8	8	8					•Valve seal		(ZM2904368)
7	ZM2904091	8	8	8					•Pressure spring		
8	VOE15053220	8							•Washer		(ZM2908493)
8	VOE15053220		8	8					•Washer		
9	VOE20459857	16	16	16					•Valve sleeve		
10	ZM2903912	REQ	REQ	REQ			OP		Locking agent		
11	VOE11370140	REQ							Cylinder head gasket		
11	VOE11370141	REQ							Cylinder head gasket		
11	VOE11715536	REQ							Cylinder head gasket		
11	VOE15052907		REQ	REQ					Cylinder head gasket		
11	VOE15052909		REQ	REQ					Cylinder head gasket		
11	VOE15052899		REQ	REQ					Cylinder head gasket		
12	VOE21033924	2	2	2					Guide pin		(ZM2904093)
13	ZM2904092	10	10	10					Cylinder head screw		
14	ZM2904098	1	1	1					Gasket		
15	VOE11370139	1	1	1					Valve cover		
16	ZM2908485	10	10	10					Screw		M6X30
17	ZM2904064	1	1	1					Filler cap		

Date: 2013/11/3	Image id: 1008568	Catalogue: 20037	Model: L20B
Brand: Volvo	Serial: 1700500-1705000	Group/Section: 212/100	Title: Engine housing



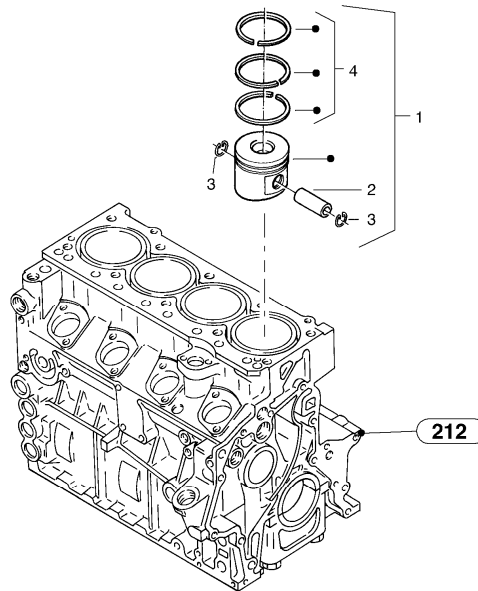
Volvo Construction
Equipment
1008568

Q1-Q5	Option	Option description	
Q1 ENGINE 11306225			
Q2 ENGINE 11308621			
Q3 ENGINE 15211725			

Pos	Part	Q1	Q2	Q3	Q4	Q5	PS	Kit	Description	Option(s)	Remark
1	VOE11370114	1							Crankcase		
1	VOE15053276		1	1			SS		Cylinder block		
2	ZM2290540	8	8	8					•Hexagon screw		
3	ZM4010300	8	8	8					•Bushing		
4	VOE20459941	1	1	1					•Plug		
5	VOE20460061	1	1	1					•Sealing ring		
6	ZM2904050	1	1	1					•Screw plug		
7	ZM2908480	2	2	2					•Screw plug		
8	ZM2904048	2	2	2					•Bearing bush		
9	VOE20795762	3	3	3					•Bearing Bushing		
10	VOE15053296	2							•Guide sleeve		(ZM2290541)
10	VOE15184831		2	2					•Roller		(VOE15053391)
11	VOE11370177	1							•Plug		

11	VOE15053810		1	1					•Plug		
12	ZM2905346	2							•Screw plug		
13	VOE20860215	1							•Screw		(ZM2905340)
14	ZM2904169	1	1	1					•Thermostat		
15	ZM2904053	1	1	1					••Pressure spring		
16	ZM2905345	1	1	1					•Screw plug		
17	ZM20405718	1	1	1					•Screw plug		
18	VOE11370179	1	1	1					•Cover		
19	ZM2904051	1	1	1					•Tube		
20	ZM2905344	1	1	1					•Screw plug		
21	VOE11715739	8							•Stud		(VOE11370178)
21	VOE11715739		8	8					•Stud		
22	ZM2904056	8	8	8					•Piston cooling jet		
23	ZM2904057	1	1	1					•Pin		
24	ZM2903912	REQ	REQ	REQ			OP		Locking agent		
25	VOE11700631	4	4	4					Sealing ring		
26	VOE960628	4	4	4					Plug		(VOE20405556)
27	VOE20542740	1					SS		Sealing ring		(VOE11700303)
28	VOE20405506	1	1	1					Plug		
29	ZM2905379	1	1	1					Oil pressure switch		
30	VOE13947624	1	1	1					Plane gasket		
31	VOE11305512	1							Lock plug		(ZM7099401)
31	VOE20799217		1	1					Plug		
32	ZM2904059	1							Temperature transmitter		(VOE11715605)
32	VOE15054496		1	1					Sensor		
33	VOE13947621	1	1	1					•Plane gasket		
34	VOE15020566	1	1	1					Cover		
35	ZM2290455	8	8	8					Screw		M8x30
36	ZM2292220	1	1	1					Radial seal		
37	ZM4084070	REQ	REQ	REQ					Sealant		
38	ZM2905335	1	1	1					Intermediate housing		
39	ZM2290547	2	2	2					Bushing		
40	VOE20554683	4	4	4					Screw		
41	ZM2290561	1	1	1					Cover plate		
42	VOE973494	3	3	3					Washer		
43	VOE20459986	3	3	3					Screw		
44	ZM2904064	1	1	1					Filler cap		
45	ZM2904065	1	1	1					Valve		
46	ZM2904066	1	1	1					•O-ring		
47	VOE11370258	1	1	1					Hexagon screw		

Date: 2013/11/3	Image id: 1003083	Catalogue: 20037	Model: L20B
Brand: Volvo	Serial: 1700500-1705000	Group/Section: 213/100	Title: Piston

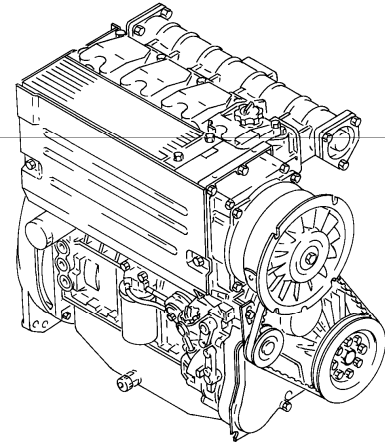
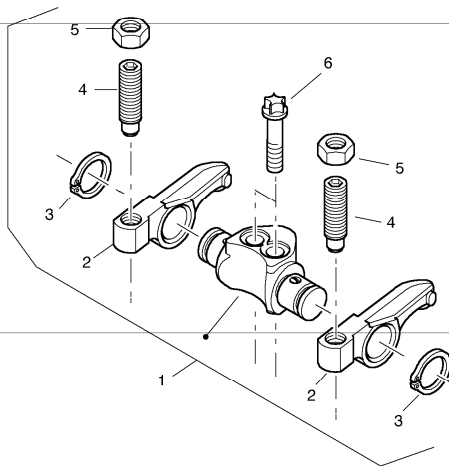


Volvo Construction
Equipment
1003083

Q1-Q5	Option	Option description	
Q1 ENGINE 11306225			
Q2 ENGINE 11308621			
Q3 ENGINE 15211725			

Pos	Part	Q1	Q2	Q3	Q4	Q5	PS	Kit	Description	Option(s)	Remark
1	VOE11370622	4							Piston		KOMPRESSIONSKLASS E A
1	VOE15052788		4	4					Piston		KOMPRESSIONSKLASS E A
1	VOE11370623	4							Piston		KOMPRESSIONSKLASS E B
2	ZM2290427	1							•Bolt		
2	VOE11715530		1	1					•Bolt		
3	VOE11370609	2							•Retaining ring		C 26X1,5
3	VOE11715531		2	2					•Retaining ring		
4	VOE11370181	1							•Piston ring kit		
4	VOE15053376		1	1					•Piston ring kit		

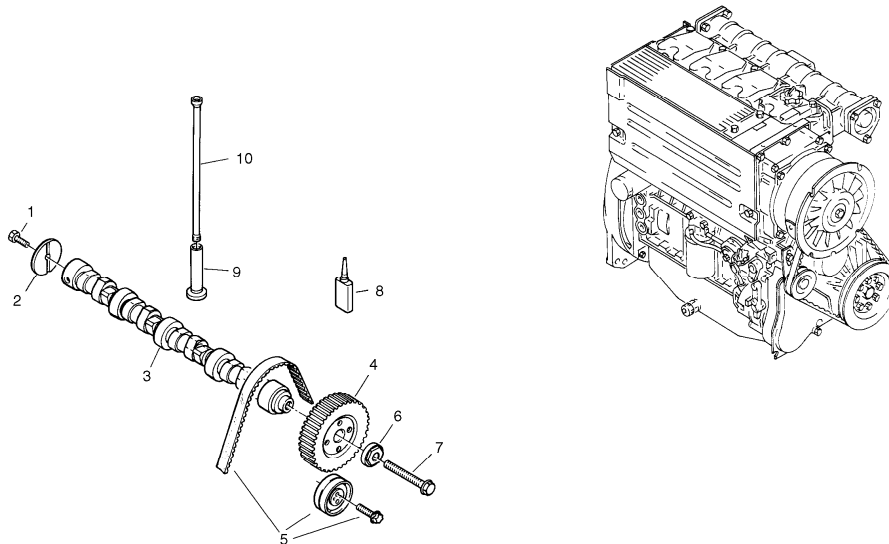
Date: 2013/11/3	Image id: 1003088	Catalogue: 20037	Model: L20B
Brand: Volvo	Serial: 1700500-1705000	Group/Section: 214/100	Title: Valve mechanism



Volvo Construction
Equipment
1003088

Pos	Part	Q1	Q2	Q3	Q4	Q5	PS	Kit	Description	Option(s)	Remark
1	ZM2290529	4							Valve support	rocker	
2	ZM2290526	2							•Rocker Arm		
3	ZM7094952	2							•Safety ring		18X1,2
4	ZM2290527	2							•Adjusting screw		
5	VOE11700373	2							•Nut		
6	VOE20459853	8							Screw		

Date: 2013/11/3	Image id: 00000079	Catalogue: 20037	Model: L20B
Brand: Volvo	Serial: 1700500-1705000	Group/Section: 215/100	Title: Camshaft



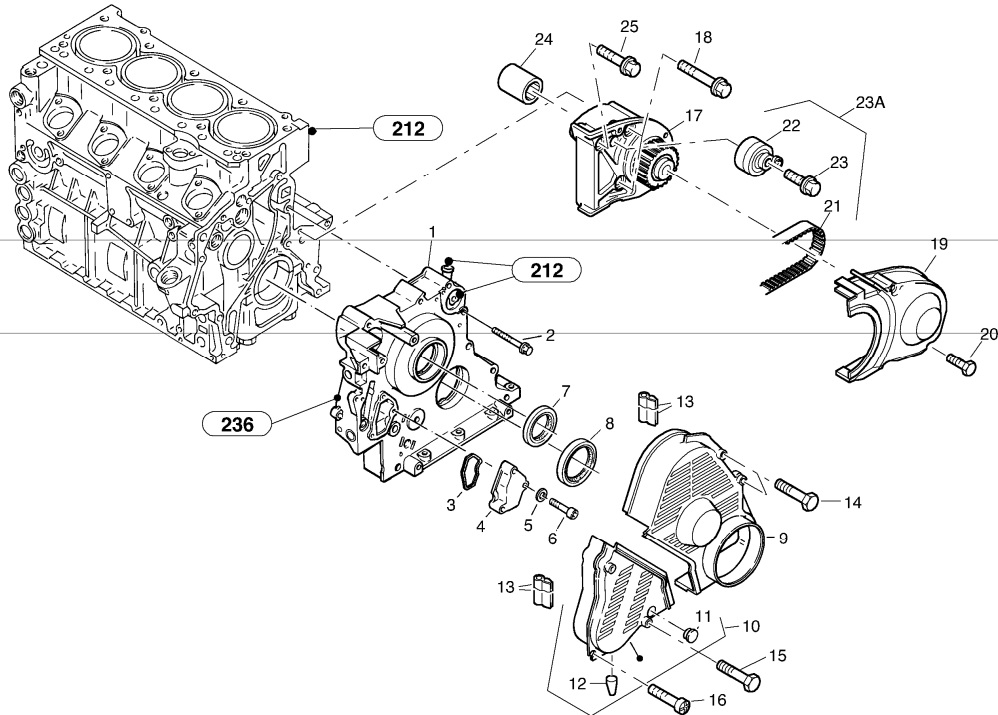
00000079

Q1-Q5	Option	Option description	
Q1 ENGINE 11306225			
Q2 ENGINE 11308621			
Q3 ENGINE 15211725			

Pos	Part	Q1	Q2	Q3	Q4	Q5	PS	Kit	Description	Option(s)	Remark
1	VOE20556888	1	1	1					Hexagon screw		
2	ZM2290517	1	1	1					Spacer disc		
3	VOE11715771	1							Camshaft		
3	VOE15053308		1	1					Camshaft		
4	VOE11370636	1							Pulley		
4	VOE15053819		1	1					Camshaft gear		
5	VOE20945013	1							Repair Kit		(VOE11370600)
5	VOE20945013		1	1					Repair Kit		
6	VOE11370637	1							Washer		
6	ZM2290522		1	1					Washer		
7	VOE20797281	1	1	1					Hexagon screw		
8	ZM4084070	REQ	REQ	REQ					Sealant		
9	ZM2904101	8	8	8					Valve tappet		

10	ZM2290524	8							Push rod		
10	VOE15053292		8	8					Push rod		

Date: 2013/11/3	Image id: 1008566	Catalogue: 20037	Model: L20B
Brand: Volvo	Serial: 1700500-1705000	Group/Section: 215/200	Title: Timing gear housing (front cover)



Q1-Q5	Option	Option description	
Q1 ENGINE 11306225			
Q2 ENGINE 11308621			
Q3 ENGINE 15211725			

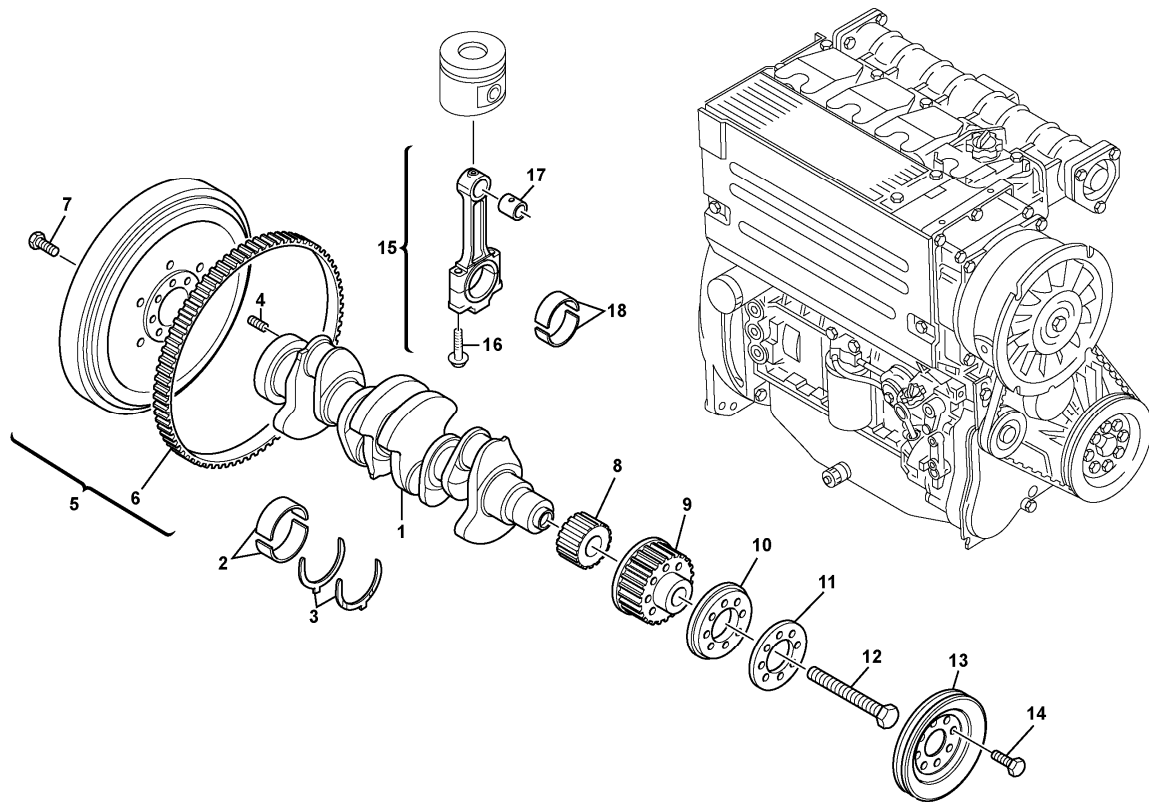
Pos	Part	Q1	Q2	Q3	Q4	Q5	PS	Kit	Description	Option(s)	Remark
1	VOE11370643	1	1	1					Cover		
2	ZM2908498	12	12	12					Screw		
3	ZM2904068	1	1	1					Profil gasket		
4	ZM2904070	1	1	1					Cover		
5	VOE20459074	3	3	3					Washer		(VOE11700497)
6	VOE11370253	3	3	3					Screw		
7	ZM2291470	1	1	1					Seal		
8	ZM2290458	1	1	1					Seal		
9	VOE11715748	1	1	1					Protecting casing		See footnote 1415)
9	VOE11715974	1							Protecting casing		(VOE11370277)See footnote 1375)
10	VOE11715749	1	1	1					Protecting casing		
11	ZM2904072	1	1	1					•Plug		

12	VOE11370190	1	1	1					•Rubber sleeve		
13	VOE11370596	REQ	REQ	REQ					Sealing moulding		
14	VOE11370191	3	3	3					Hexagon screw		
15	VOE11370192	2	2	2					Hexagon screw		
16	VOE20460068	1	1	1					Screw		
17	VOE11370649	1							Bracket		See footnote 1375)
18	ZM2906901	2							Screw		See footnote 1375) M10X90
19	VOE11370276	1							Protecting casing		See footnote 1375)
20	VOE20534527	3							Screw		(VOE11370256)See footnote 1375) M6X25
21	VOE20945006	REQ							Repair Kit		(VOE11370275)See footnote 1375)
22	VOE20945006	REQ							Repair Kit		(VOE11370280)See footnote 1375)
23	ZM2908498	REQ							Screw		See footnote 1375) M8X60
23A	VOE20945006	1							Repair Kit		(VOE11370657)See footnote 1375)
24	VOE11370278	1							Engaging sleeve		See footnote 1375)
25	VOE20797178	1							Screw		(VOE11370279)See footnote 1375) M10X75

1375) only by auxiliary pump

1415) not by auxiliary pump

Date: 2013/11/3	Image id: 1032926	Catalogue: 20037	Model: L20B
Brand: Volvo	Serial: 1700500-1705000	Group/Section: 216/100	Title: Crankshaft



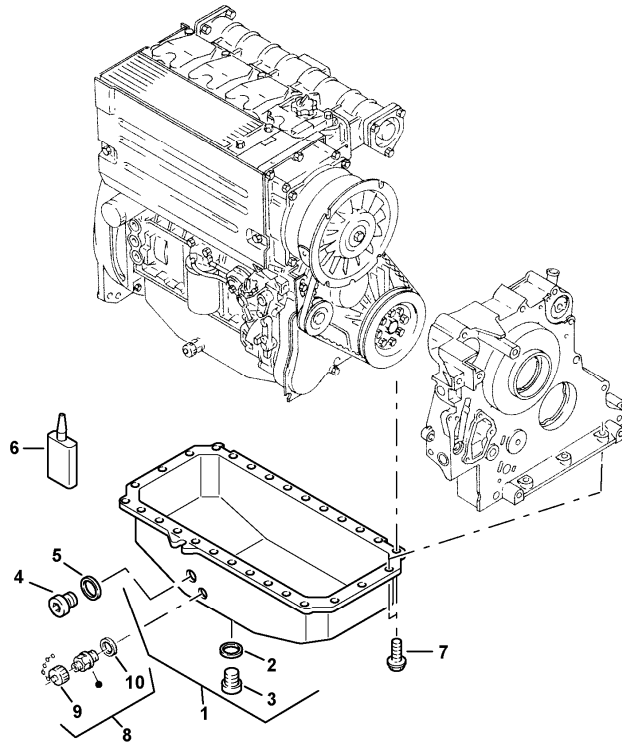
Volvo Construction
Equipment
1032926

Q1-Q5	Option	Option description	
Q1 ENGINE 11306225			
Q2 ENGINE 11308621			
Q3 ENGINE 15211725			

Pos	Part	Q1	Q2	Q3	Q4	Q5	PS	Kit	Description	Option(s)	Remark
1	VOE11370180	1							Crankshaft		
1	VOE15053306		1	1					Crankshaft		
2	ZM2290400	5	5	5					•Crankshaft bearing		70,00 MM
2	ZM2900539	REQ							•Crankshaft bearing		69,75 MM
2	ZM2290402	REQ							•Crankshaft bearing		69,50 MM
3	VOE20944762	1	1	1					•Thrust Washer		2,40 MM
3	VOE20944769	REQ							•Thrust Washer		2,60 MM
4	ZM2904375	1	1	1					Thread Insert		

5	ZM2908532	1	1	1					Flywheel		
6	ZM2908533	1	1	1					•Gear ring		
7	ZM2290407	8	8	8					Screw		
8	ZM2290408	1	1	1					Toothed belt wheel		
9	ZM2290409	1	1	1					Toothed belt wheel		
10	VOE11370230	1	1	1					Spacer		
11	VOE11370135	1	1	1					Deflector		
12	ZM2290411	1							Screw		
12	ZM2290411		1	1					Screw		(VOE11715741)
13	ZM2290412	1							V-belt pulley		
13	ZM2905385		1	1					V-belt pulley		
14	ZM2908482	8	8	8					Screw		(ZM2900545)
15	ZM2904105	4					SS		Connecting rod		
15	VOE15053277		4	4					Connecting rod		
16	ZM2904106	8							•Screw		
16	VOE15053932		8	8					•Screw		
17	ZM2290416	1							•Bushing		29,06 - 29,10 MM
17	ZM2904108	REQ							•Bushing		29,31 - 29,35 MM
17	ZM2290431		4	4					•Bushing		STD
17	ZM2900544		4	4					•Bushing		oversize 33,22-33,36
18	VOE15186588		4	4					•Big-end bearing kit		(VOE15053863)STD
18	ZM2290432	4							Big end bearing		55,00 MM
18	ZM2900542	REQ							Big end bearing		54,75 MM
18	ZM2900543	REQ							Big end bearing		54,50 MM

Date: 2013/11/3	Image id: 1046052	Catalogue: 20037	Model: L20B
Brand: Volvo	Serial: 1700500-1705000	Group/Section: 217/100	Title: Oil sump



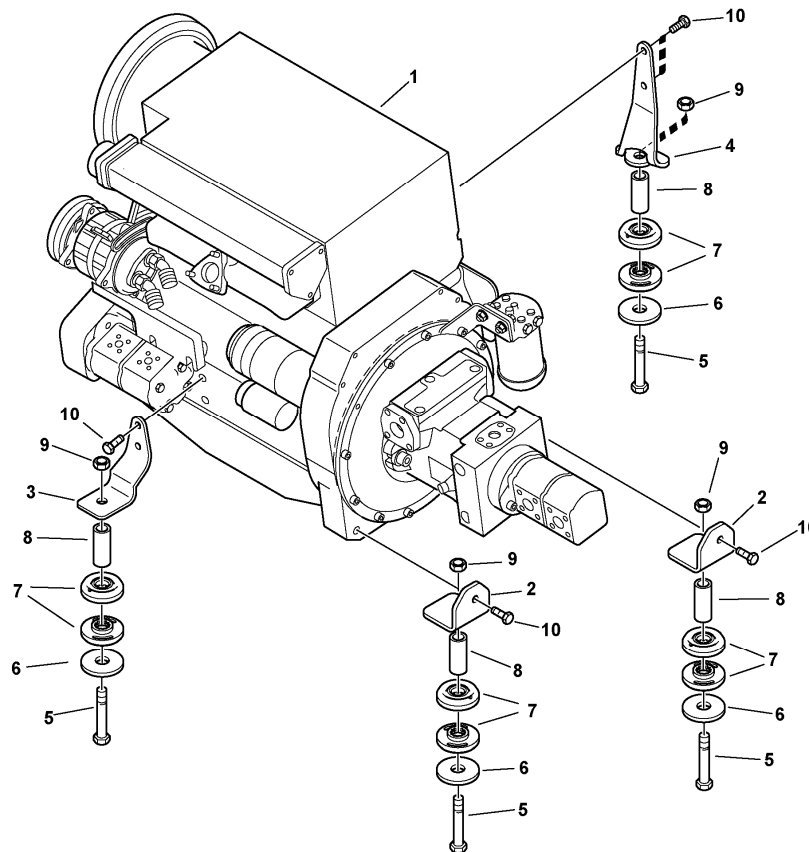
Volvo Construction
Equipment
1046052

Q1-Q5	Option	Option description	
Q1 ENGINE 11306225			
Q2 ENGINE 11308621			
Q3 ENGINE 15211725			

Pos	Part	Q1	Q2	Q3	Q4	Q5	PS	Kit	Description	Option(s)	Remark
1	VOE11370134	1	1	1					Oil pan		
2	VOE13947624	1	1	1					•Plane gasket		
3	VOE20450891	1	1	1					•Plug		M18X1,5
4	VOE20460024	1	1	1					•Plug		
5	VOE20460026	1	1	1					•Sealing ring		(ZM7099523)
6	ZM2903926	REQ	REQ	REQ					Sealing compound		
7	ZM2292234	26	26	26					Screw		
8	ZM4384256	1							Valve		

9	ZM2285689	1							•Chain with cap		
10	ZM7099518	1							•Seal		C18X24

Date: 2013/11/3	Image id: 1001447	Catalogue: 20037	Model: L20B
Brand: Volvo	Serial: 1700500-1705000	Group/Section: 218/100	Title: Engine assy



Volvo Construction
Equipment
1001447

Q1-Q5	Option	Option description	
Q1 ENGINE 11306225			
Q2 ENGINE 11308621			
Q3 ENGINE 15211725			

Pos	Part	Q1	Q2	Q3	Q4	Q5	PS	Kit	Description	Option(s)	Remark
1	VOE11306225	1							Diesel engine		SER NO - 1703000
1	VOE11308621		1				SS		Engine		SER NO 1703001-
1	VOE15211725			1					Engine		
2	ZM2817050	2							Retainer		-1700844
2	VOE11306348	2	2	2					Retainer		1700845-
3	ZM2817052	1							Retainer		-1700844
3	VOE11306347	1	1	1					Retainer		1700845-
4	ZM2817239	1							Retainer		-1700844

4	VOE11306346	1	1	1					Retainer		1700845-
5	VOE978953	4							Hexagon screw		M20x110, S/N - 1700844
5	VOE978952	4	4	4					Hexagon screw		M20x100 S/N 1700845 - 1703531
5	VOE978953	4	4	4					Hexagon screw		M20x100, S/N 1703532 -
6	ZM2812435	4							Washer		-1700844
6	VOE11307333	4	4	4					Washer		1700845-
7	ZM2811225	8	8	8					Buffer		
8	ZM2812436	4	4	4					Tube		
9	VOE982489	4	4	4					Lock nut		(ZM7098016)
10	VOE980056	6	6	6					Flange screw		M14x30

Thank you so much for reading.
Please click the “Buy Now!”
button below to download the
complete manual.



After you pay.

You can download the most
perfect and complete manual in
the world immediately.

Our support email:

ebooklibonline@outlook.com