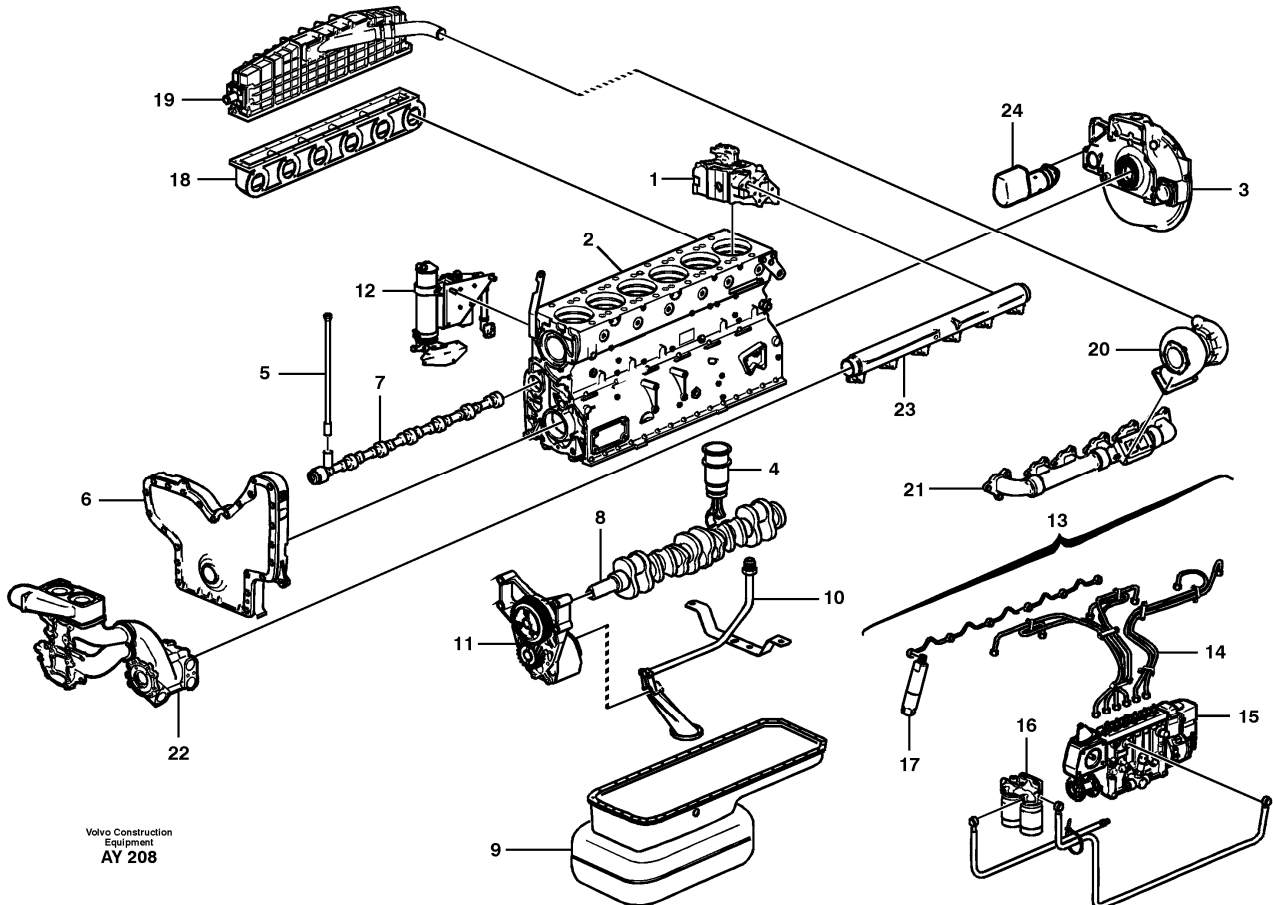


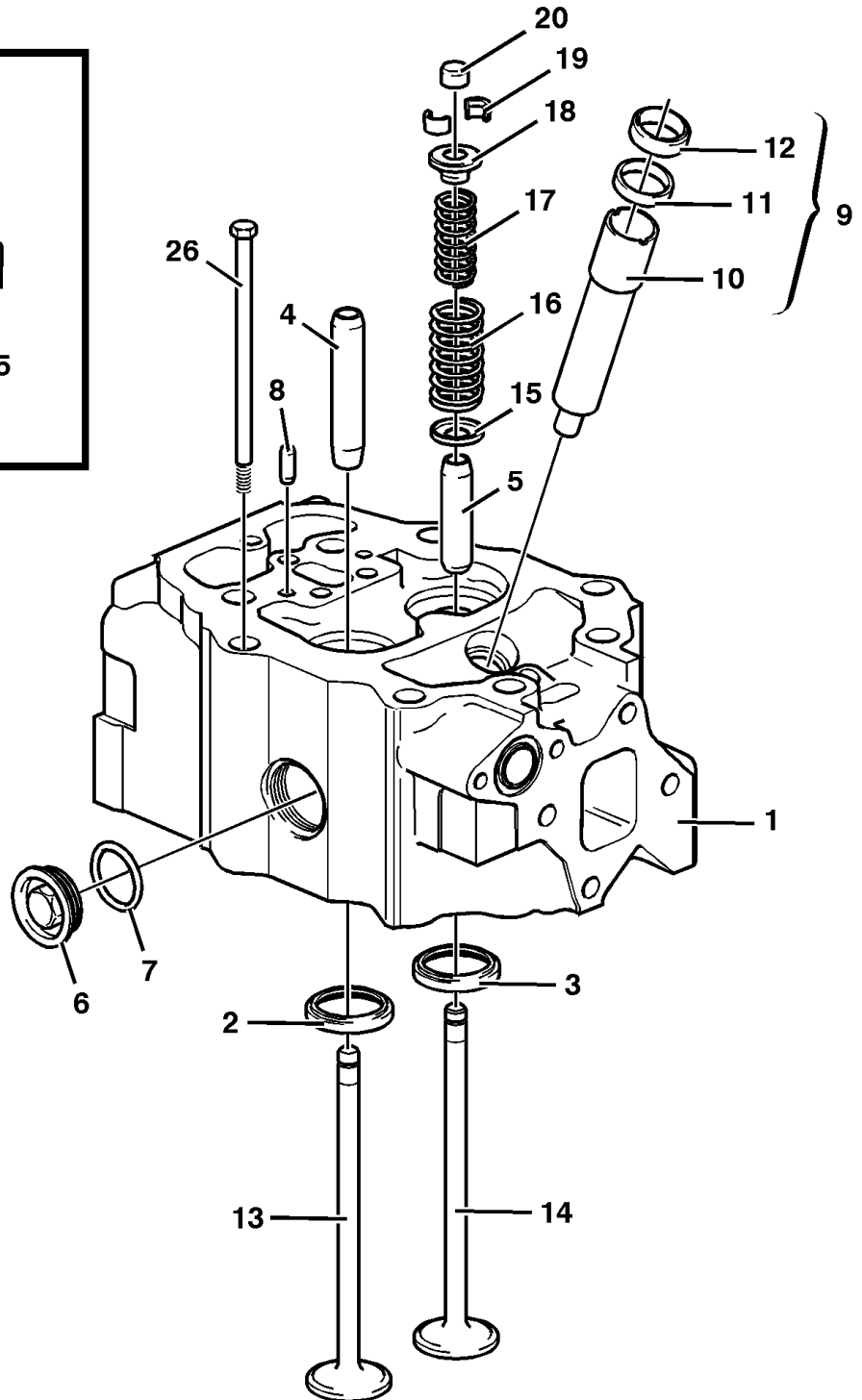
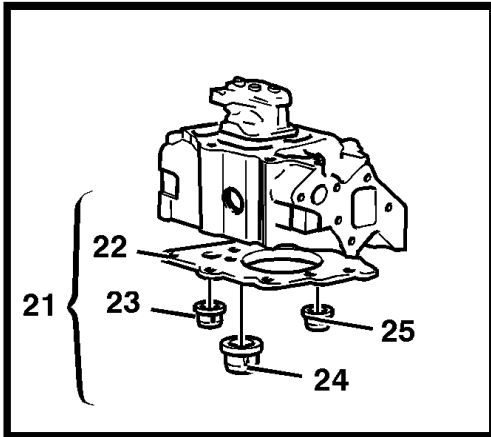
Date: 2014/3/11	Image id: AY208	Catalogue: 97800	Model: L220D
Brand: Volvo	Serial: 1001-10000	Group/Section: 210/150	Title: Engine



Pos	Part	Q1	Q2	Q3	Q4	Q5	PS	Kit	Description	Option(s)	Remark
	VOE15004350	1							Engine		(VOE8188160) TD122KLE
1		1							•Cylinder head		See ref 211/100
2		1							•Cylinder block		See ref 212/100
3		1							•Flywheel housing		See ref 216/200
4		1							•Cylinder liner		See ref 213/100
5		1							•Valve mechanism		See ref 214/100
6		1							•Timing gear casing		See ref 215/100
7		1							•Camshaft		See ref 215/150
8		1							•Crankshaft		See ref 216/100
9		1							•Oil sump		See ref 217/100
10		1							•Lubricating system		See ref 221/100
11		1							•Oil pump		See ref 221/150
12		1							•Oil-cooler and filter		See ref 222/100

13		1							•Fuel pipes		See ref 235/150
14		1							•Delivery pipe		See ref 237/100
15		1							•Injection pump		See ref 236/100
16		1							•Fuel filter		See ref 233/150
17		1							•Injector		See ref 237/150
18		1							•Inlet manifold		See ref 251/100
19		1							•Intercooler		See ref 258/100
20		1							•Turbocharger		See ref 255/100
21		1							•Exhaust manifold		See ref 251/100
22		1							•Water pump and		See ref 262/150
		1							••Thermostat Housing		See ref 262/100
23		1							•Water pipe		See ref 262/200
24		1							•Starter motor		See ref 331/100

Date: 2014/3/11	Image id: AY130	Catalogue: 97800	Model: L220D
Brand: Volvo	Serial: 1001-10000	Group/Section: 211/100	Title: Cylinder head

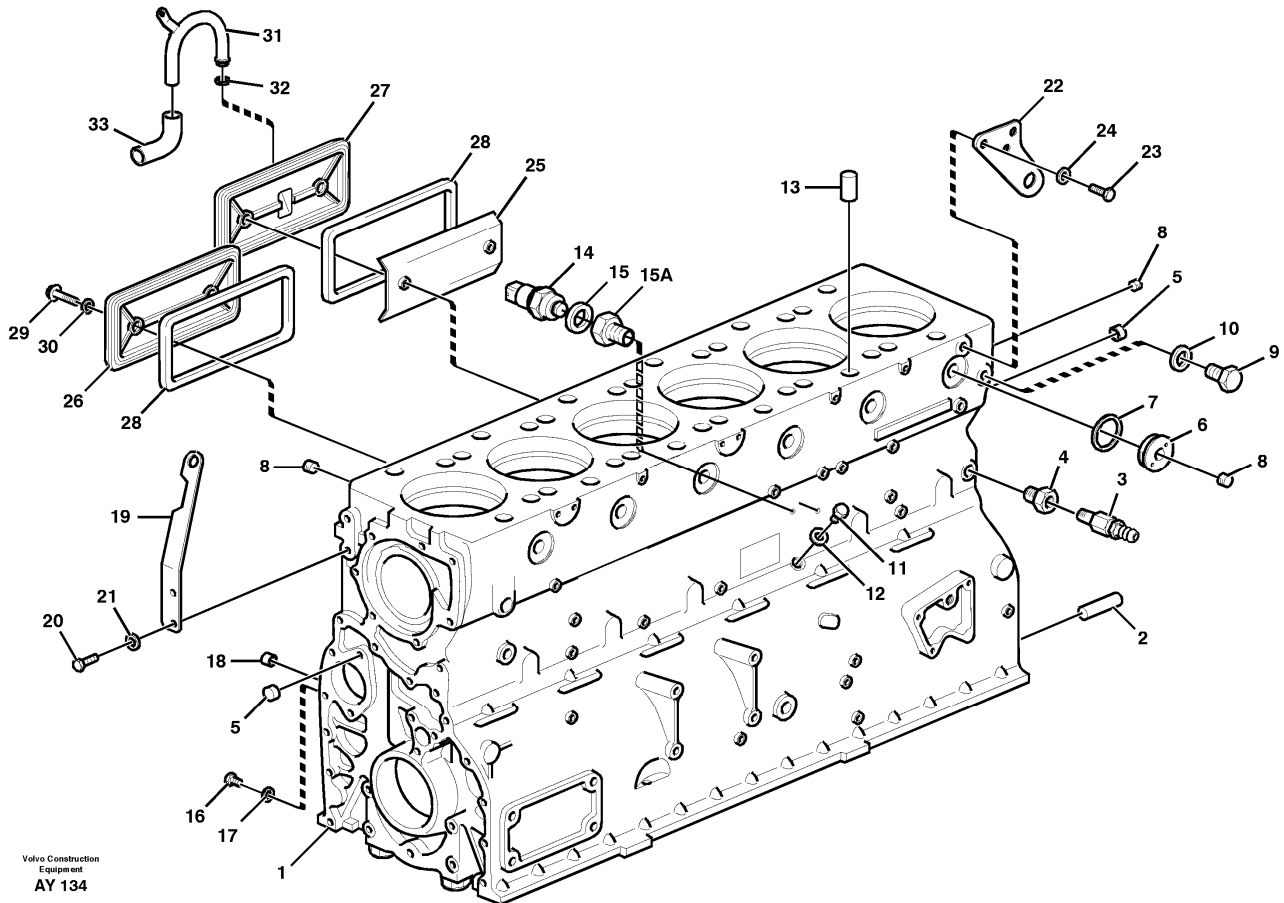


Volvo Construction
Equipment
AY 130

Pos	Part	Q1	Q2	Q3	Q4	Q5	PS	Kit	Description	Option(s)	Remark
	VOE479952	6							Cylinder head		
1	VOE479942	6					NS		•Cylinder head		

2	VOE423011	6							••Valve seat		STD D
	VOE423208	6							••Valve seat		0.2 MM O SZ
3	VOE468448	6							••Valve seat		STD D
	VOE468449	6							••Valve seat		0.2 MM O SZ
4	VOE422320	6							••Valve Guide		
5	VOE1545135	6							••Valve Guide		
6	VOE467365	12							••Plug		(467714)
7	VOE469327	12							••Gasket		(VOE468461)
8	VOE14025455	12							••Cylinder Pin		
9	VOE273983	6							••Repair Kit		
10	VOE470247	6							•••Sleeve		
11	VOE466405	6							•••Sealing ring		
12	VOE466420	6							•••Ring		
13	VOE468302	6							•Valve		Inlet / inlopp
14	VOE468303	6							•Valve		Outlet / utlopp
15	VOE468065	12							•Washer		
16	VOE468067	12							•Spring		
17	VOE468066	12							•Spring		
18	VOE468304	12							•Washer		
19	VOE468305	24							•Valve Collet		
20	VOE478074	12							•Valve Cap		
21	VOE270949	6							Gasket Kit		
22	VOE470837	6					NS		•Gasket		
23	VOE422415	12							•Sealing ring		
24	VOE423326	12							•Sealing ring		
25	VOE422413	6							•Sealing ring		
26	VOE470261	48							Screw		

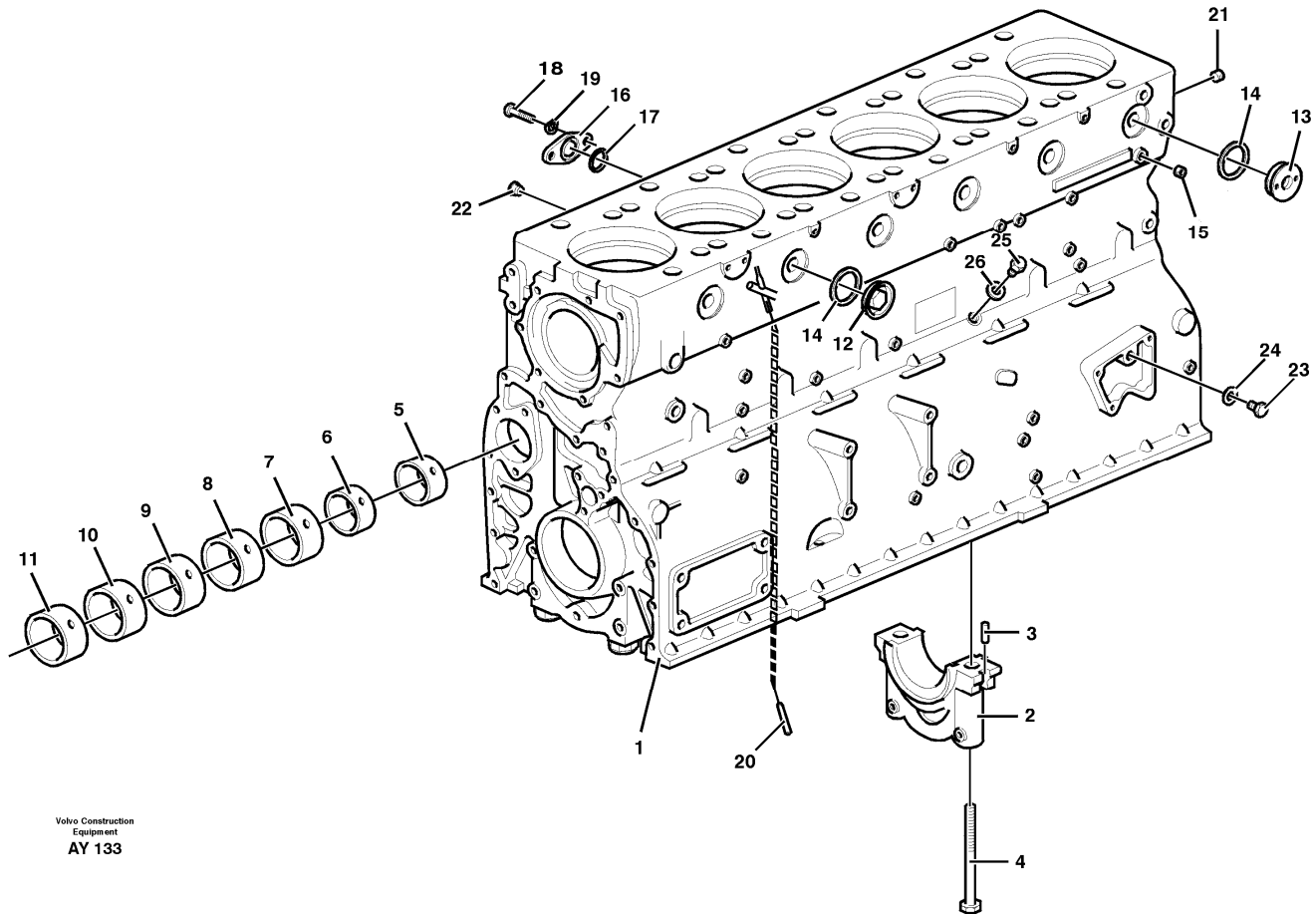
Date: 2014/3/11	Image id: AY134	Catalogue: 97800	Model: L220D
Brand: Volvo	Serial: 1001-10000	Group/Section: 212/100	Title: Cylinder block



Pos	Part	Q1	Q2	Q3	Q4	Q5	PS	Kit	Description	Option(s)	Remark
1		1							Cylinder block		See ref 212/150
2	VOE191171	2							Pin		
3	VOE949918	1							Crane		
4	VOE479954	1							Nipple		
5	VOE13955083	3							Cap plug		(955083)
6	VOE821335	1							Plug		
7	VOE1556907	1							Gasket		(VOE469328)
8	VOE479977	3							Plug		
9	VOE7016318	4							Plug		
10	VOE13947281	4							Gasket		(907132)
11	VOE13961892	1							Plug		(961892)
12	VOE976929	1							Gasket		(969011)
13	VOE14025455	12							Cylinder Pin		
14	VOE3962893	1							Sensor		SE202 ENG - 243745

	VOE11039575	1							Pressure sensor		SE202 ENG 243746 -
15	VOE7011996	1							Gasket		ENG - 243745
15A	VOE11030986	1							Nipple		ENG - 243745
16	VOE13948187	1							Plug		(948187)
17	VOE13947625	1							Plane gasket		(947625)
18	VOE955082	2							Cap plug		
19	VOE4778438	1					NS		Lifting eye		
20	VOE955562	2							Hexagon screw		
21	VOE940280	2							Spring washer		
22	VOE11031336	1					NS		Lifting eye		
23	VOE13960783	2							Screw		(960783)
24	VOE941912	2							Spring washer		
25	VOE422542	1							Splash plate		
26	VOE423120	2							Hatch		
27	VOE423121	1							Hatch		
28	VOE469823	3							Gasket		
29	VOE422541	6							Screw		
30	VOE471856	6							Sealing ring		
31	VOE11031985	1							Pipe		
32	VOE421158	1							Sealing ring		
33		1							Hose		See ref 212/250

Date: 2014/3/11	Image id: AY133	Catalogue: 97800	Model: L220D
Brand: Volvo	Serial: 1001-10000	Group/Section: 212/150	Title: Cylinder block



Volvo Construction
Equipment
AY 133

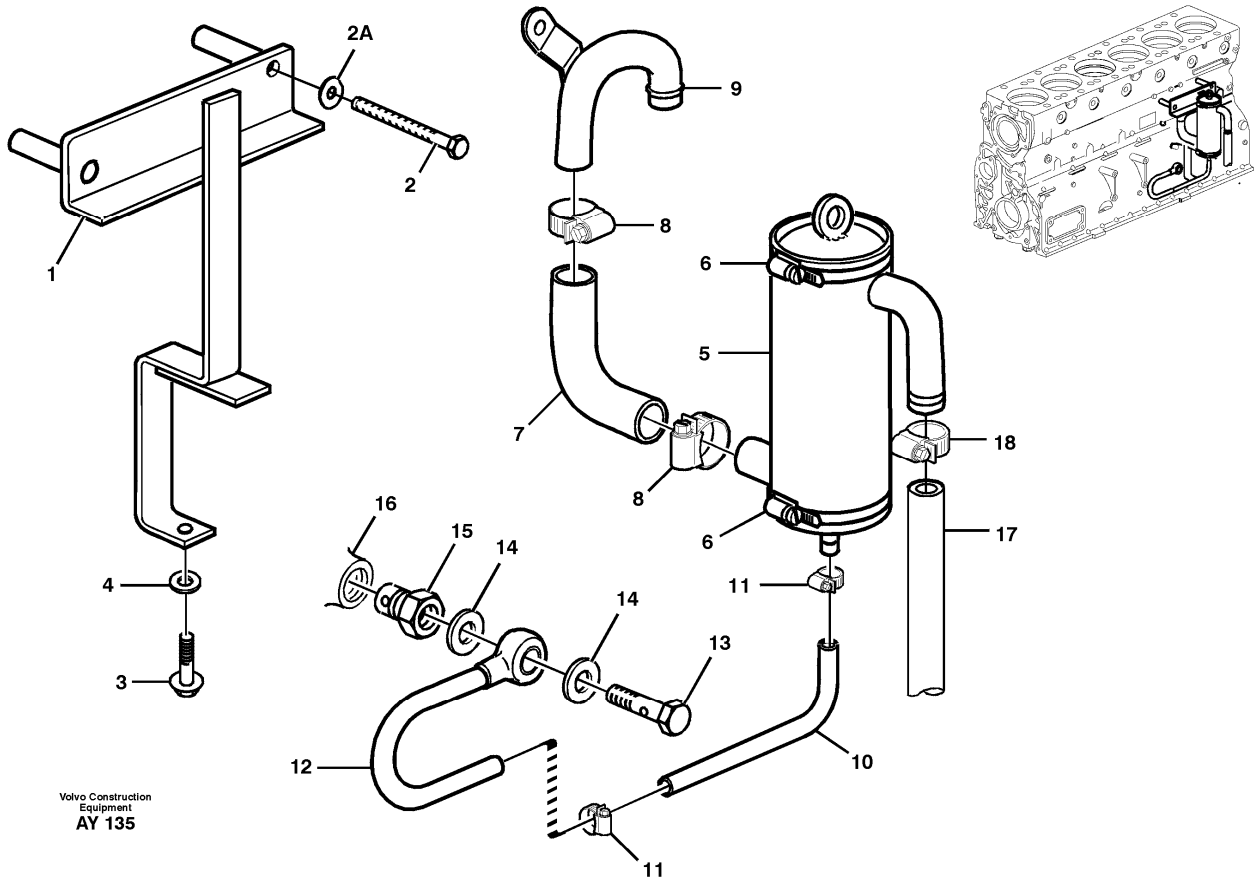
Q1-Q5	Option	Option description	
Q1 478992			
Q2 478990			

Pos	Part	Q1	Q2	Q3	Q4	Q5	PS	Kit	Description	Option(s)	Remark
	VOE478992	1							Cylinder block		
	VOE478992		1						Cylinder block		See footnote 1)
1	VOE478991	1	1				NS		•Cylinder block		
2		7	7				NS		•Cap		
3	VOE422426	1	1						•Pin		
4	VOE423444	14	14						•Screw		
5	VOE422076	1	1						•Bushing		
6	VOE422077	1	1						•Bushing		
7	VOE422078	1	1						•Bushing		
8	VOE11000014	1	1						•Bushing		(422079)
9	VOE422080	1	1						•Bushing		

10	VOE422081	1	1						•Bushing		
11	VOE422082	1	1						•Bushing		
12	VOE467367	5	6						•Plug		(467649)
13	VOE821335		1						•Plug		
14	VOE1556907	5	6						•Gasket		(VOE469328)
15	VOE952075	1	1						•Plug		
16	VOE468703		1						•Cover		
17	VOE13949657		1						•O-ring		(925060)
18	VOE955524		2						•Hexagon screw		
19	VOE13941907		2						•Washer		(941907)
20	VOE468563	1	1				NS		•Tube assembly		
21	VOE479977	1	2						•Plug		(952077)
22	VOE422369	2	2						•Plug		
23	VOE7016318	1	1						•Plug		
24	VOE13947281	1	1						•Gasket		(907132)
25	VOE13961892	1							•Plug		(961892)
26	VOE976929	1							•Gasket		(969011)

1) Replacement version

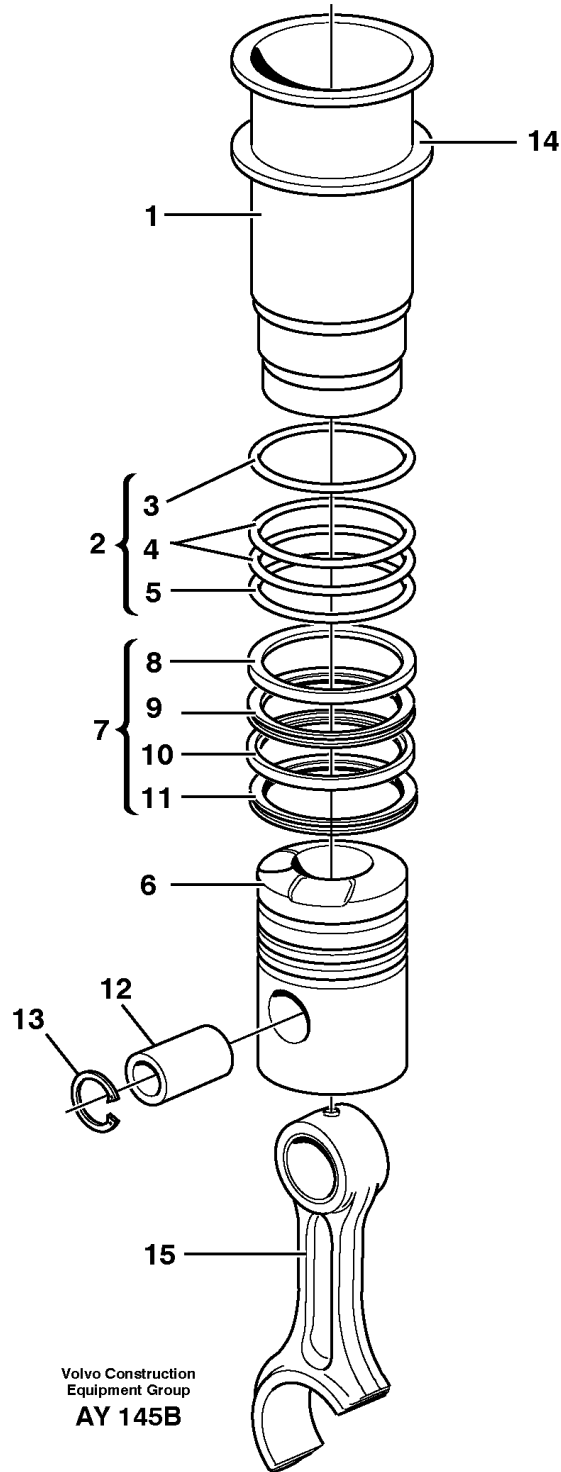
Date: 2014/3/11	Image id: AY135	Catalogue: 97800	Model: L220D
Brand: Volvo	Serial: 1001-10000	Group/Section: 212/250	Title: Crankcase ventilation



Pos	Part	Q1	Q2	Q3	Q4	Q5	PS	Kit	Description	Option(s)	Remark
1	VOE11031987	1					NS		Bracket		
2	VOE955529	1							Hexagon screw		5/16"
	VOE955541	1							Hexagon screw		3/8"
2A	VOE13942336	2							Spring washer		(942336)
3	VOE13946173	1							Screw		(946173)
4	VOE13955894	1							Washer		(955894)
5	VOE11033878	1							Oil trap		
6	VOE943483	2							Hose clamp		
7	VOE11032106	1							Hose		
8	VOE943476	2							Hose clamp		
9		1							Pipe		See ref 212/100
10	VOE983342	REQ							Hose		L = 350 MM
11	VOE943470	2							Hose clamp		
12	VOE11030944	1							Pipe		

13	VOE7025167	1							Hollow screw		
14	VOE976929	2							Gasket		(969011)
15	VOE11127015	1							Reduction nipple		
16		1							Cylinder block		See ref 212/100
17	VOE927661	REQ							Rubber hose		L = 700 MM
18	VOE943475	1							Hose clamp		

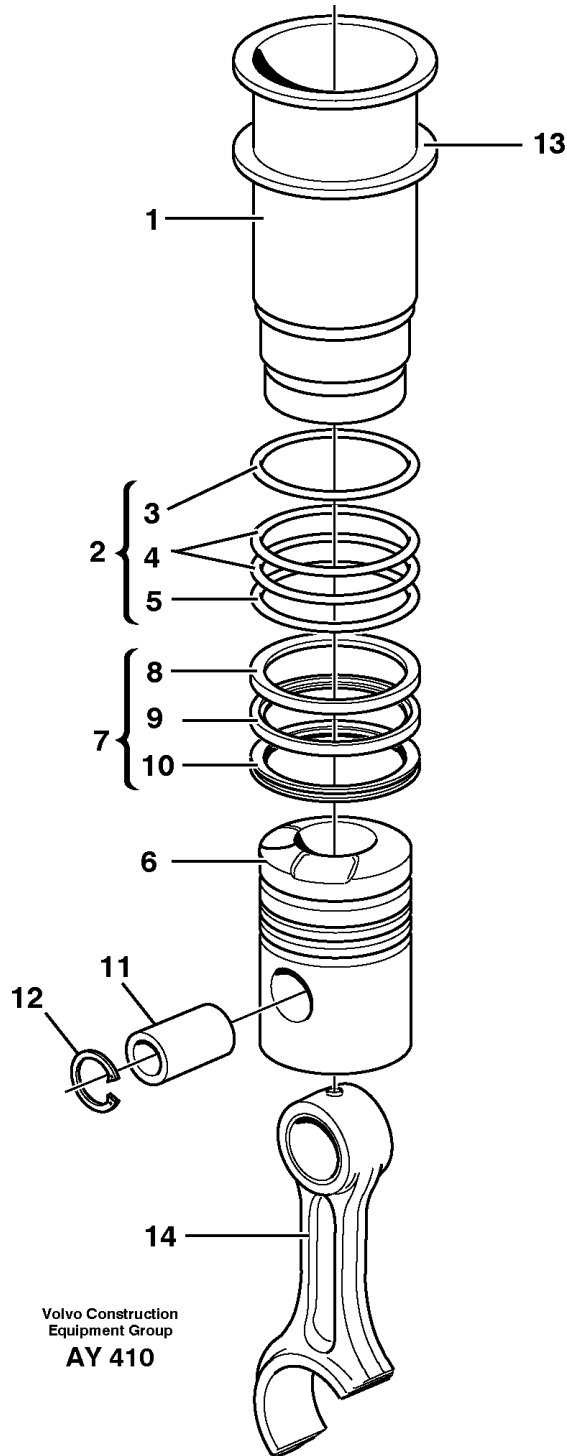
Date: 2014/3/11	Image id: AY145B	Catalogue: 97800	Model: L220D
Brand: Volvo	Serial: 1001-10000	Group/Section: 213/100	Title: Cylinder liner and piston ENG - 249224



Pos	Part	Q1	Q2	Q3	Q4	Q5	PS	Kit	Description	Option(s)	Remark
	VOE275634	6							Cylinder liner kit		

1	VOE478140	6					NS		•Cylinder liner		
2	VOE270950	6							•Sealing Kit		
3	VOE470922	6							••Seal Ring		
4	VOE470190	12					NS		••Sealing ring		
5	VOE424833	6					SE		••Sealing ring		
6	VOE478150	6					NS		•Piston		
7	VOE270603	6							•Piston Ring Kit		
8	VOE470855	6					NS		••Compress. ring, upper		
9	VOE468033	6					NS		••Oil ring		
10	VOE478036	6					NS		••Compress. ring, lower		
11	VOE468587	6					NS		••Expanding- / oil rin		
12	VOE8193837	6							•Piston Pin		
13	VOE423124	12							•Lock Ring		
14	VOE468271	REQ							Shim		THICK = 0,2 MM
	VOE468272	REQ							Shim		THICK = 0,3 MM
	VOE468273	REQ							Shim		THICK = 0,5 MM
15		6							Connecting rod		See ref 216/100

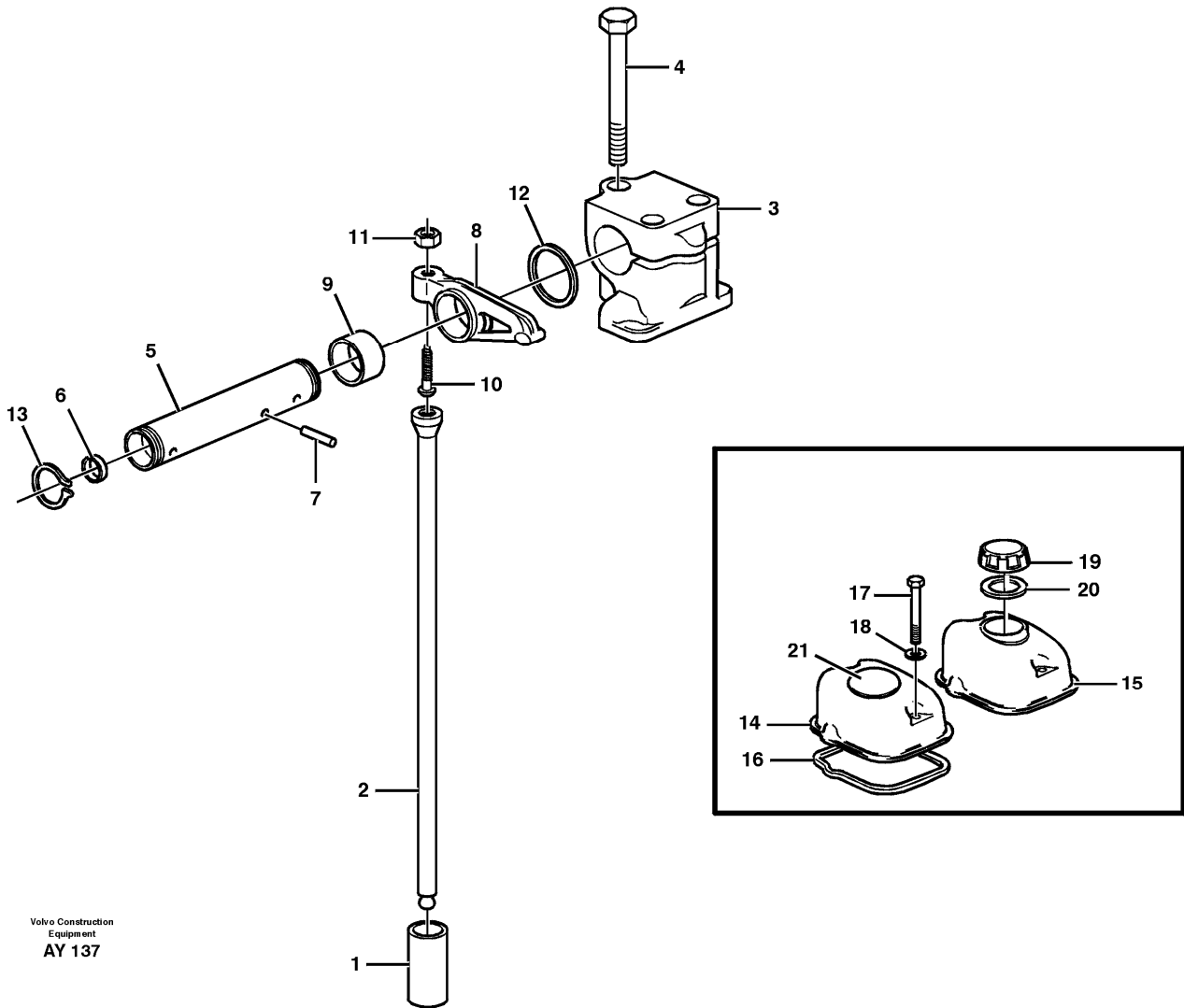
Date: 2014/3/11	Image id: AY410	Catalogue: 97800	Model: L220D
Brand: Volvo	Serial: 1001-10000	Group/Section: 213/150	Title: Cylinder liner and piston ENG 249225 -



Pos	Part	Q1	Q2	Q3	Q4	Q5	PS	Kit	Description	Option(s)	Remark
	VOE275642	6							Cylinder liner kit		

1	VOE478380	6					NS		•Cylinder liner		
2	VOE270950	6							•Sealing Kit		
3	VOE470922	6							••Seal Ring		
4	VOE470190	12					NS		••Sealing ring		
5	VOE424833	6					SE		••Sealing ring		
6	VOE478550	6					NS		•Piston		
7	VOE276167	6							•Piston Ring Kit		
8	VOE478578	6					NS		••Compress. ring, upper		
9	VOE478443	6					NS		••Compress. ring, lower		
10	VOE478595	6					NS		••Expanding- / oil rin		
11	VOE8193838	6					NS		•Piston pin		
12	VOE914530	12							•Snap Ring		
13	VOE468271	REQ							Shim		THICK = 0,2 MM
	VOE468272	REQ							Shim		THICK = 0,3 MM
	VOE468273	REQ							Shim		THICK = 0,5 MM
14		6							Connecting rod		See ref 216/100

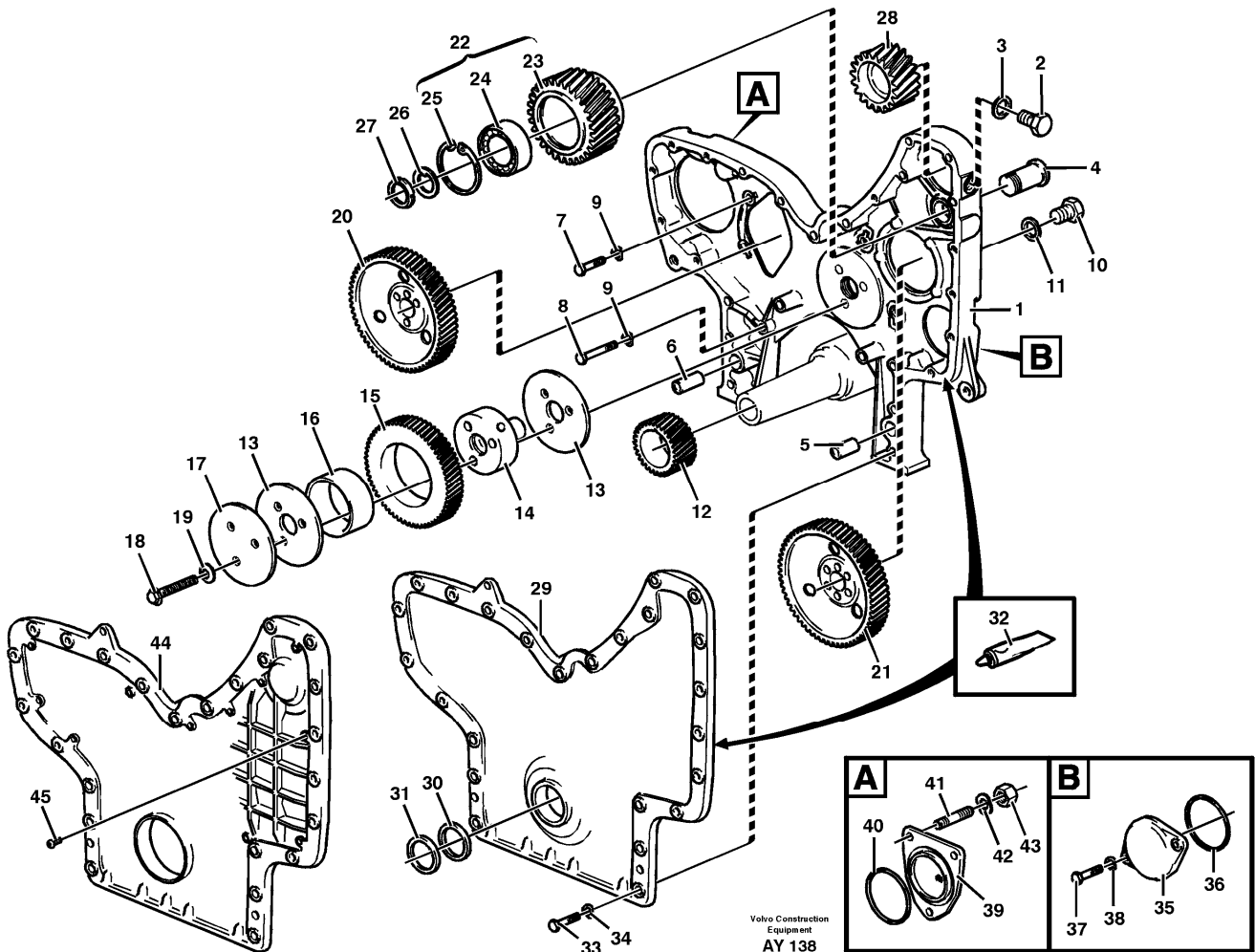
Date: 2014/3/11	Image id: AY137	Catalogue: 97800	Model: L220D
Brand: Volvo	Serial: 1001-10000	Group/Section: 214/100	Title: Valve mechanism



Pos	Part	Q1	Q2	Q3	Q4	Q5	PS	Kit	Description	Option(s)	Remark
1	VOE479863	12							Tappet		
2	VOE423021	12							Push rod		(VOE423021)(8121478)
3	VOE423266	6							Bearing Bracket		
4	VOE423331	18							Screw		
5	VOE423267	6							Shaft		
6	VOE946778	12							•Cap plug		(955084)
7	VOE950499	2							•Pin		
8	VOE423263	12							Rocker arm		
9	VOE422066	12							•Bushing		
10	VOE422993	12							•Bolt		
11	VOE940175	12							•Nut		

12	VOE423269	12							Washer		
13	VOE914459	12							Retaining ring		
14	VOE423403	5							Cover		
15	VOE423404	1							Cover		
16	VOE424692	6							Gasket		
17	VOE13955527	12							Screw		(955527)
18	VOE942580	12							Gasket		
19	VOE421753	1							Filler cap		
20	VOE1275379	1							Gasket		(VOE940096)
21	VOE417649	1							Sign		

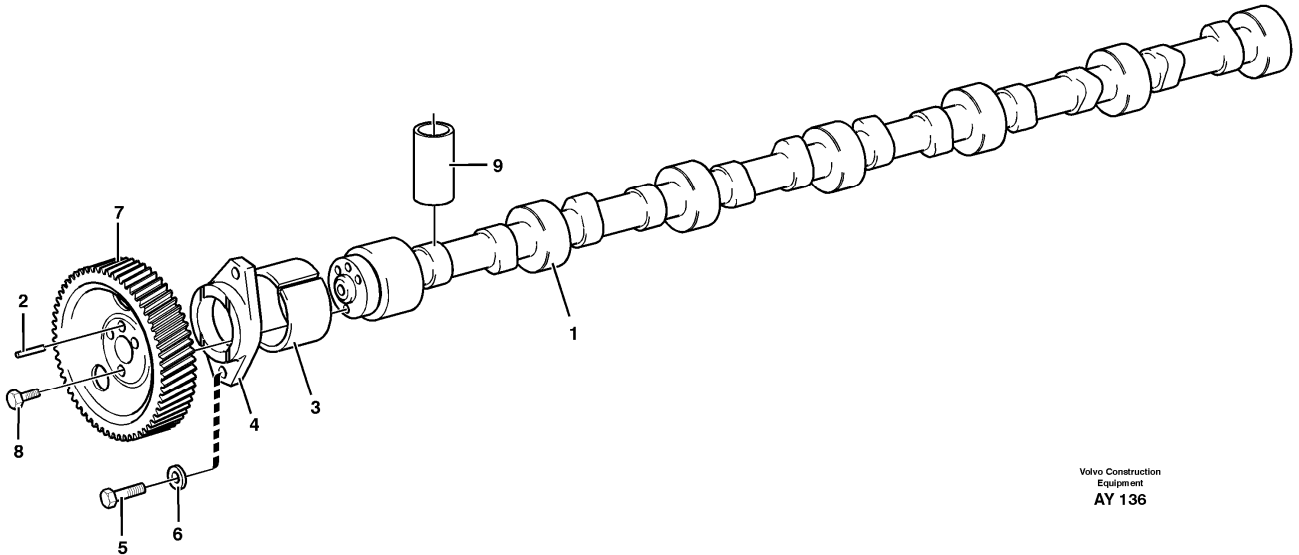
Date: 2014/3/11	Image id: AY138	Catalogue: 97800	Model: L220D
Brand: Volvo	Serial: 1001-10000	Group/Section: 215/100	Title: Timing gear casing and gears



Pos	Part	Q1	Q2	Q3	Q4	Q5	PS	Kit	Description	Option(s)	Remark
	VOE8184639	1							Tmg Gear Casing		
	VOE8194639	1							Tmg Gear Casing		
1		1					NS		•Timing gear casing		
2	VOE13960633	2							••Plug		(960633)
3	VOE13947625	2							••Plane Gasket		(947625)
4	VOE8194626	1							•Pin		
	VOE8194626	1							•Pin		
5	VOE13941510	1							•Pin		(941510)
6	VOE13941511	1							•Pin		(941511)
7	VOE941939	4							Screw		
8	VOE955537	1							Screw		
9	VOE13942336	5							Spring Washer		(942336)
10	VOE7192114	1							Plug		

11	VOE13947627	1							Plane Gasket		(947627)
12		1							Gear, crank shaft		See ref 216/100
13	VOE478951	2							Thrust Washer		
14	VOE8192636	1							Bearing spindle		
15	VOE479653	1							Idler Gear		
16	VOE479687	1							•Bushing		
17	VOE478954	1							Bearing Shield		
18	VOE468738	3							Screw		
19	VOE942180	3							Disc Spring		
20		1							Gear, camshaft		See ref 215/150
21		1							Gear, injection pump		See ref 236/150
22	VOE478959	1							Idler Gear		
23	VOE478773	1					OP		•Idler Gear		
24	VOE478783	1							•Bearing		
25	VOE914532	1							•Snap Ring		
26	VOE470427	1							Wear Ring		
27	VOE478955	1							Round Nut		
28		1							Gear, water pump		See ref 262/150
29	VOE11031091	1							Cover		
30	VOE941666	1							•Felt Ring		
31	VOE424983	1							•Sealing ring		
32	VOE1161277	REQ							Sealant		20g
33	VOE13940162	10							Screw		L = 38 MM, (940162)
	VOE955540	2							Screw		L = 70 MM
	VOE955542	10							Screw		L = 83 MM
34	VOE13942336	22							Spring Washer		(942336)
35	VOE468093	1							Cover		
36	VOE468094	1							Sealing ring		
37	VOE955535	2							Hexagon screw		
38	VOE13942336	2							Spring Washer		(942336)
39	VOE11031339	1							Cover		
40	VOE13975610	1							O-ring		(975610)
41	VOE953346	3							Stud		
42	VOE941911	3							Spring Washer		
43	VOE13955828	3							Nut		(955828)
44	VOE479652	1							Noise Shield		
		1					NS		•Noise shield		
45	VOE13972542	16							•Screw		(VOE972541)

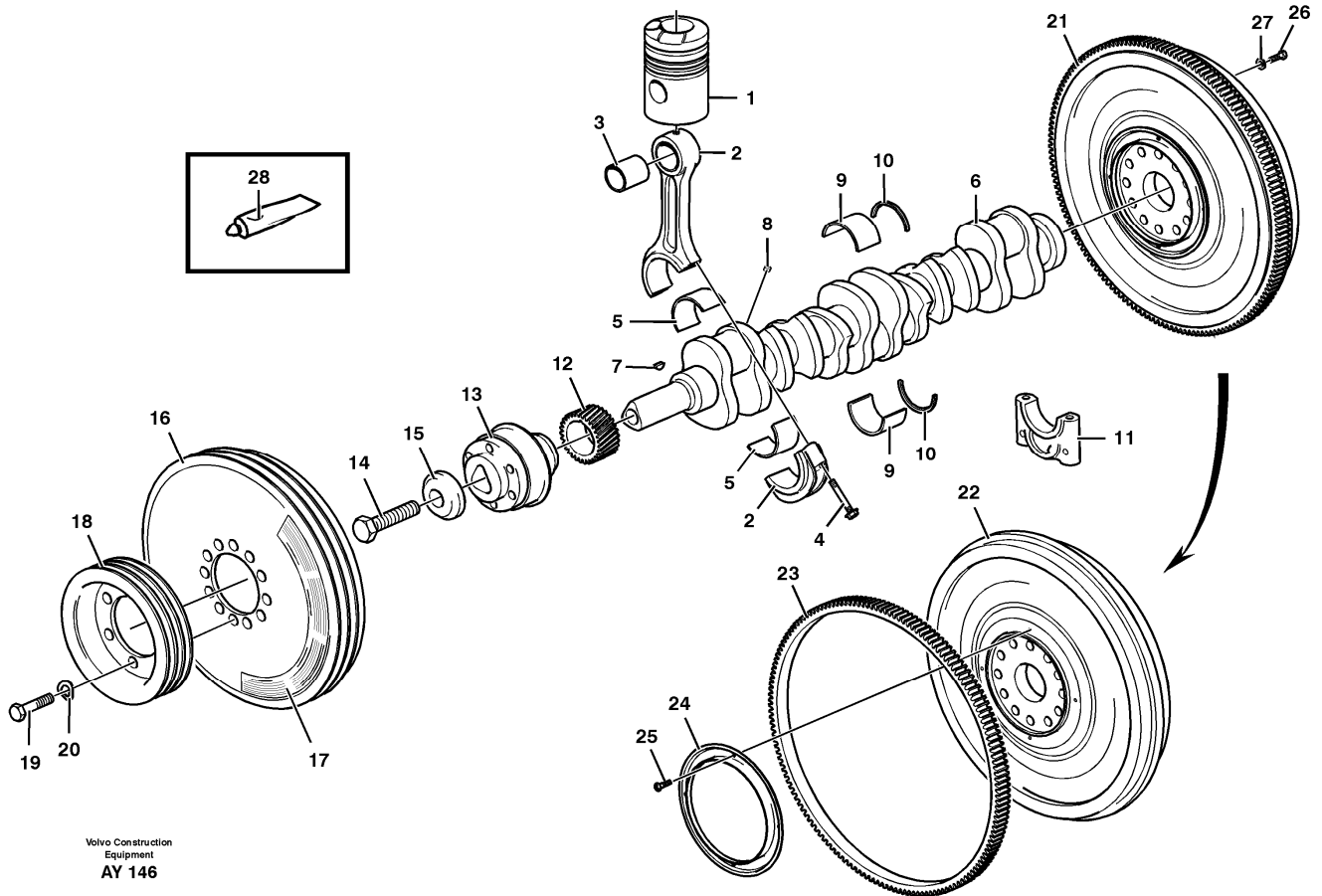
Date: 2014/3/11	Image id: AY136	Catalogue: 97800	Model: L220D
Brand: Volvo	Serial: 1001-10000	Group/Section: 215/150	Title: Camshaft



Volvo Construction
Equipment
AY 136

Pos	Part	Q1	Q2	Q3	Q4	Q5	PS	Kit	Description	Option(s)	Remark
1	VOE8193727	1							Camshaft		(VOE478750)
2	VOE950588	1							•Pin		
3		7							Bushing		See ref 212/150
4	VOE465789	1							Flange		
5	VOE13940115	2							Screw		(940115)
6	VOE13942336	2							Spring washer		(942336)
7	VOE478297	1							Gear		
8	VOE471555	3							Screw		
9		12							Tappet		See ref 214/100

Date: 2014/3/11	Image id: AY146	Catalogue: 97800	Model: L220D
Brand: Volvo	Serial: 1001-10000	Group/Section: 216/100	Title: Crankshaft and related parts

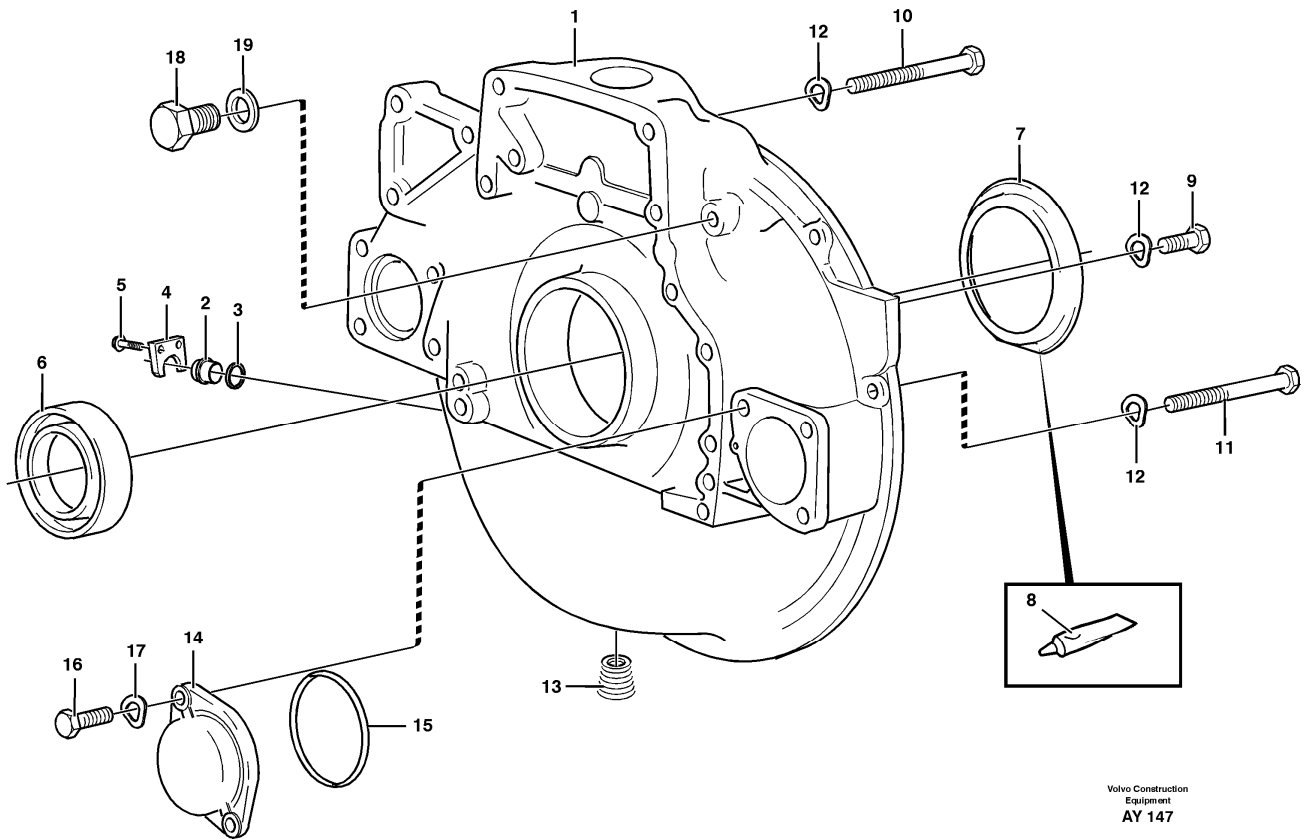


Q1-Q5	Option	Option description	
Q1 ENG - 249224			
Q2 ENG 249225 -			

Pos	Part	Q1	Q2	Q3	Q4	Q5	PS	Kit	Description	Option(s)	Remark
1		6	6						Piston		See ref 213/100
2	VOE470424	6							Connecting rod		
	VOE478437		6						Connecting Rod		
3	VOE470434	6							•Bushing		
	VOE20381185		6						•Bushing		
4	VOE1545479	12	12						•Screw		
5	VOE270130	6	6						Big End Brg Kit		STD
	VOE270131	6	6						Big End Brg Kit		0,25 MM U SZ
	VOE270132	6	6						Big End Brg Kit		0,50 MM U SZ
	VOE270133	6	6						Big End Brg Kit		0,75 MM U SZ
	VOE270134	6	6						Big End Brg Kit		1,00 MM U SZ

	VOE270135	6	6						Big End Brg Kit		1,25 MM U SZ
6	VOE8125583	1	1						Crankshaft		
7	VOE422253	1	1						•Key		
8	VOE13978130	6	6						•Plug		(978130)
9	VOE270449	7	7						Mn Bearing Kit		STD
	VOE270450	7	7						Mn Bearing Kit		0.25 MM U SZ
	VOE270451	7	7						Mn Bearing Kit		0.51 MM U SZ
	VOE270452	7	7						Mn Bearing Kit		0.75 MM U SZ
	VOE270453	7	7						Mn Bearing Kit		1.00 MM U SZ
	VOE270454	7	7						Mn Bearing Kit		1.25 MM U SZ
10	VOE3093651	1	1						Thr Washer Kit		(VOE276791)STD
	VOE3093652	1	1						Thr Washer Kit		(VOE276792)0.1 MM O SZ
	VOE3093653	1	1						Thr Washer Kit		(VOE276793)0.2 MM O SZ
11		7	7						Cap		See ref 212/150
12	VOE423080	1	1						Gear		
13	VOE424958	1	1						Hub		
14	VOE941494	1	1						Screw		
15	VOE422124	1	1						Washer		
16	VOE422924	1	1						Vib Damper		
17	VOE467834	1	1						Sign		ENG - 243321
18	VOE468187	1	1						Pulley		
19	VOE955549	6	6						Screw		
20	VOE13941909	6	6						Washer		(941909)
21	VOE11031833	1	1						Flywheel		
22	VOE11031833	1	1						•Flywheel		
23	VOE420794	1	1						••Gear Ring		
24	VOE11031772	1	1						•Oil Dftr Ring		
25	VOE13905650	4	4						•Drive Screw		(905650)
26	VOE941570	14	14						Screw		
27	VOE467773	14	14						Washer		
28	VOE1161277	REQ	REQ						Sealant		20g

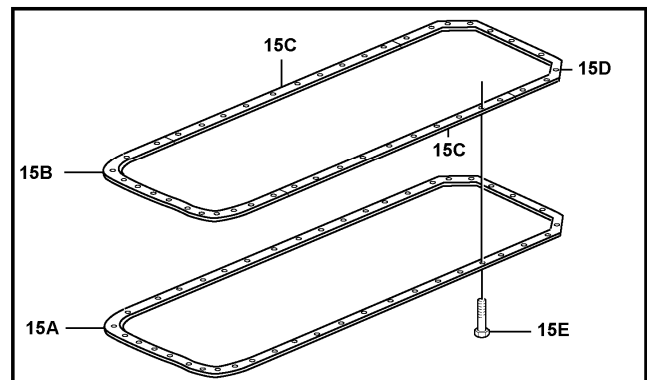
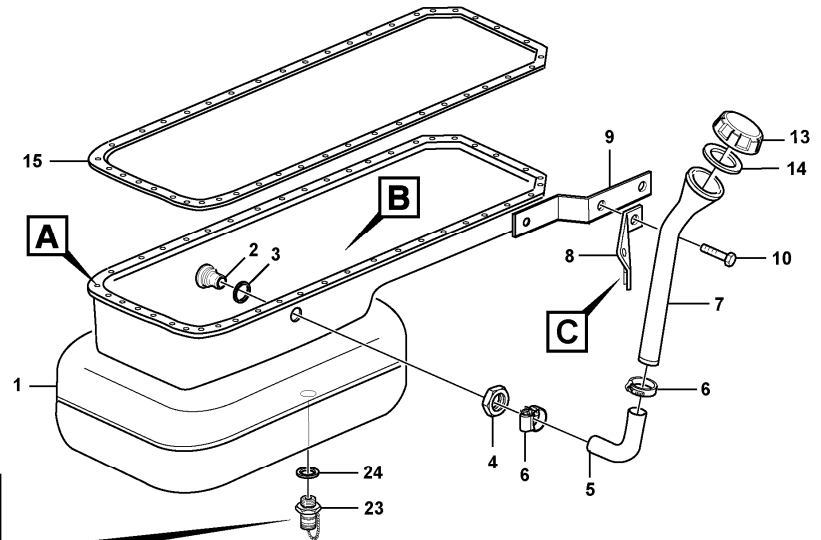
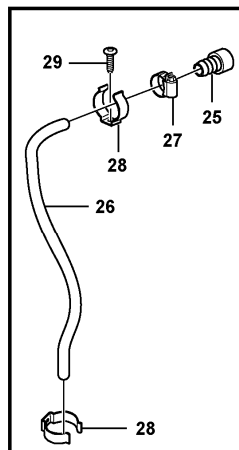
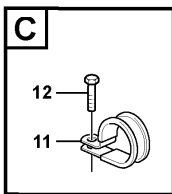
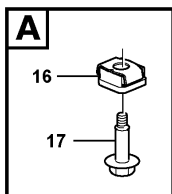
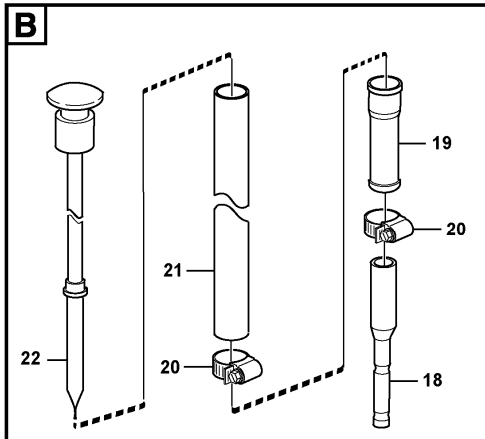
Date: 2014/3/11	Image id: AY147	Catalogue: 97800	Model: L220D
Brand: Volvo	Serial: 1001-10000	Group/Section: 216/200	Title: Flywheel housing



Pos	Part	Q1	Q2	Q3	Q4	Q5	PS	Kit	Description	Option(s)	Remark
1	VOE11031846	1							Flywheel housing		
2	VOE11031785	1							•Plug		
3	VOE421158	1							•Sealing ring		
4	VOE11031769	1							•Lock washer		
5	VOE13966378	2							•Flange screw		(966378)
6	VOE20441697	1							•Sealing		(VOE469336)
7	VOE11031096	1							•Protecting plate		
8	VOE1161277	REQ							Sealant		20g
9	VOE955580	8							Hexagon screw		L = 57 MM
10	VOE955582	2							Hexagon screw		L = 70 MM
11	VOE955587	2							Hexagon screw		L = 102 MM
12	VOE955899	12							Washer		
13	VOE968215	1							Plug blank		
14	VOE4777078	1							Cover		
15	VOE13925095	1							O-ring		(925095)
16	VOE13940115	2							Screw		(940115)

17	VOE13942336	2							Spring washer		(942336)
18	VOE960630	1							Plug		
19	VOE976929	1							Gasket		(969011)

Date: 2014/3/11	Image id: 1056252	Catalogue: 97800	Model: L220D
Brand: Volvo	Serial: 1001-10000	Group/Section: 217/100	Title: Oil sump

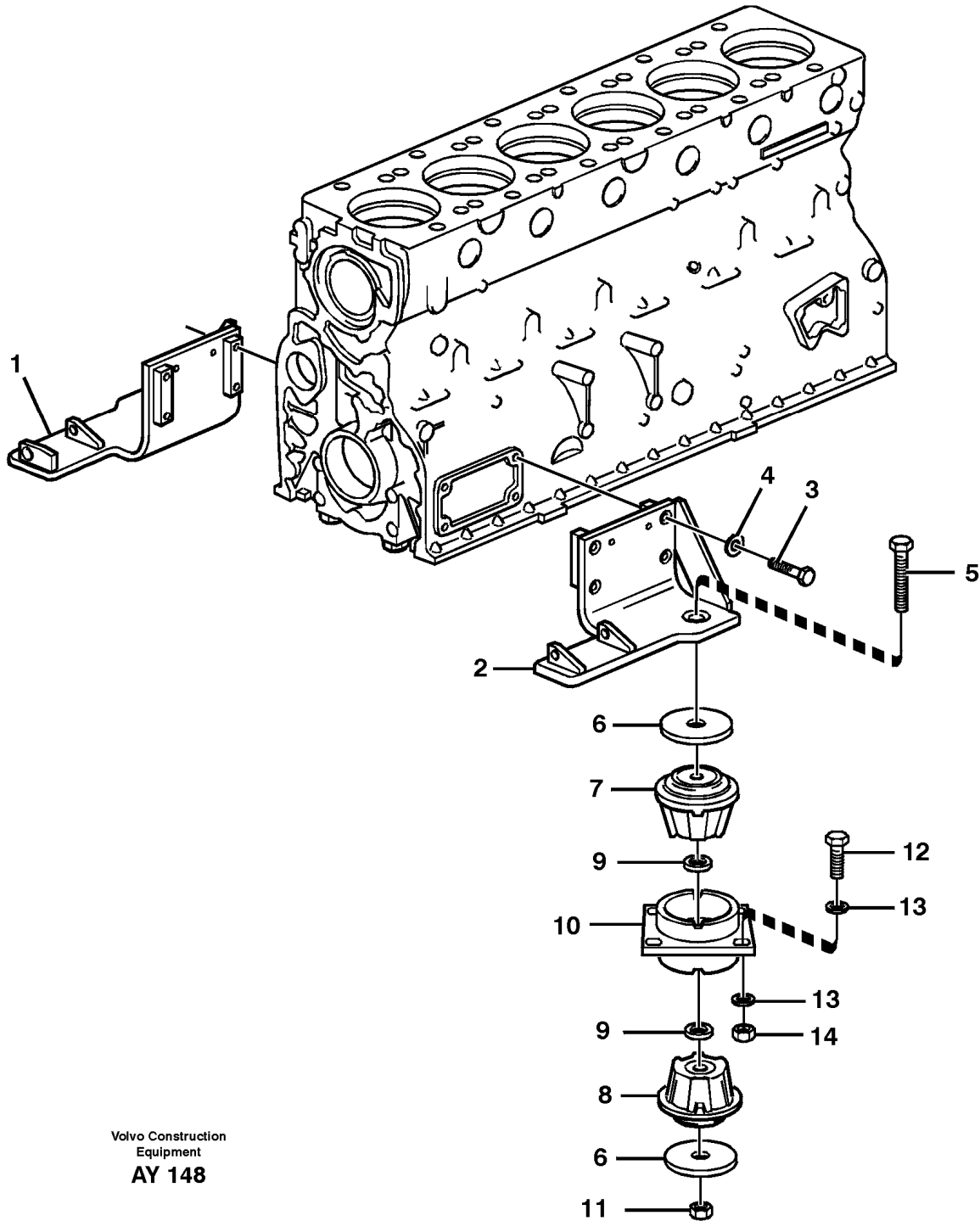


Volvo Construction
Equipment
1056252

Pos	Part	Q1	Q2	Q3	Q4	Q5	PS	Kit	Description	Option(s)	Remark
1	VOE11127028	1							Oil pan		
2	VOE468940	1							•Hose connection		
3	VOE468947	1							•Sealing ring		
4	VOE468948	1							•Nut		
5	VOE422889	1							Hose		
6	VOE943477	2							Hose clamp		
7	VOE11127076	1							Oil filler pipe		
8	VOE11127075	1							Anchorage		
9	VOE11127004	1							Anchorage		
10	VOE13955523	1							Screw		(955523)
11	VOE949850	1							Clamp		
12	VOE13946544	1							Screw		
13	VOE3547599	1					SS		Oil filler cap		
14	VOE1275379	1							•Gasket		(VOE940096)
15	VOE479484	1					NS		Gasket		

15A	VOE11031523	1							Gasket		After PROD
15B	VOE11153239	1							Clamping strip		After PROD
15C	VOE11153237	2							Clamping strip		After PROD
15D	VOE11153238	1							Clamping strip		After PROD
15E	VOE13940135	43							Screw		L = 22 MM After PROD
16	VOE420991	43							Rubber cushion		
17	VOE479068	43							Flange screw		L = 36,5 MM
18	VOE1675989	1							Tube		
19	VOE8149606	1							Rubber hose		
20	VOE13949747	2							Clamp		(949747)
21	VOE11032079	1							Plastic pipe		
22	VOE11127018	1							Oil dipstick		
23	VOE11054692	1							Valve		
24	VOE949329	1							Gasket		
25	VOE11054659	1							Connector		
26	VOE11027418	1							Hose		
27	VOE943473	1							Hose clamp		
28	VOE11130360	2							Spring clamp		SER NO - 1079
29	VOE969464	2							Six point socket screw		SER NO - 1079

Date: 2014/3/11	Image id: AY148	Catalogue: 97800	Model: L220D
Brand: Volvo	Serial: 1001-10000	Group/Section: 218/100	Title: Engine mounting

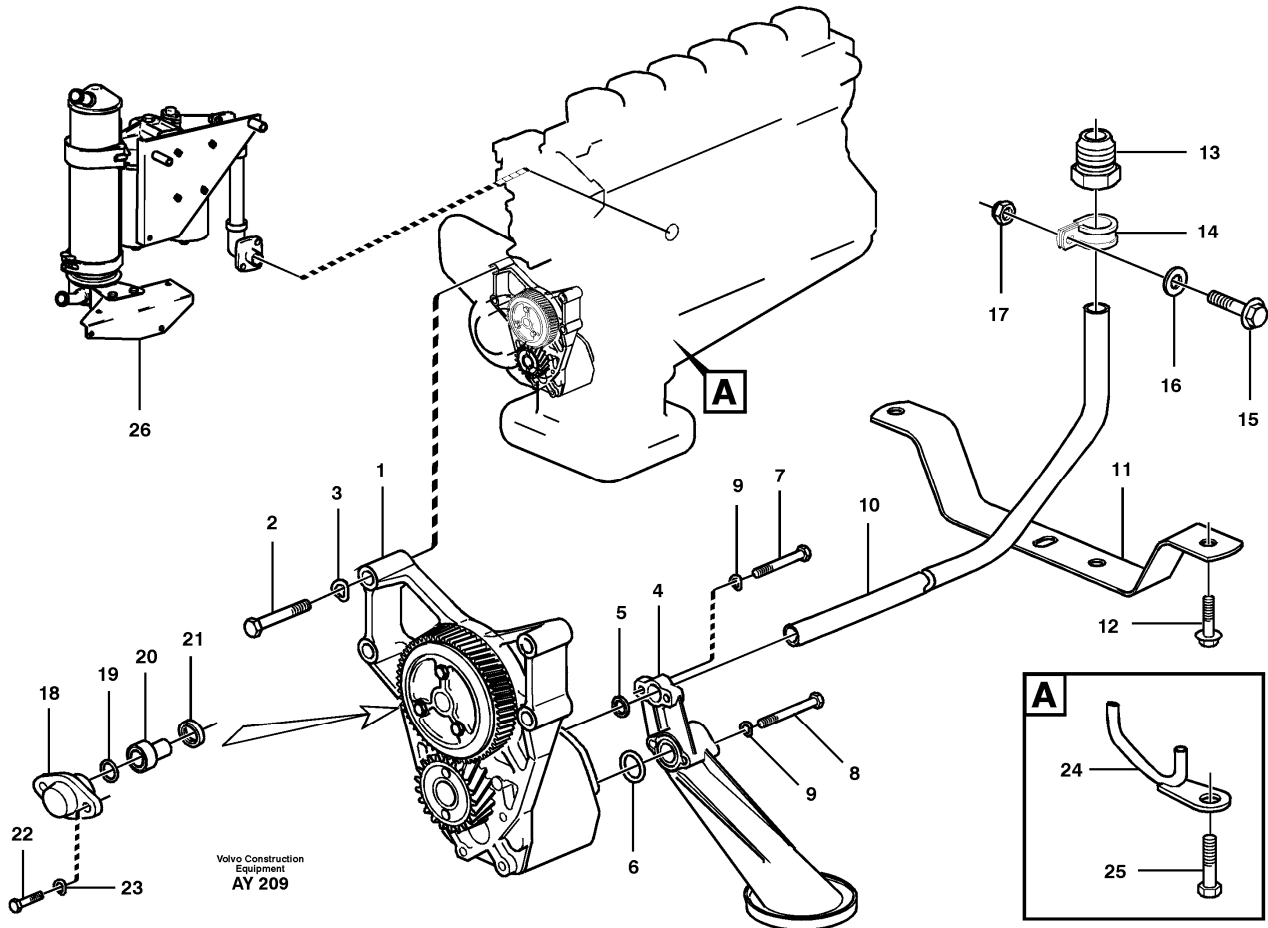


Volvo Construction
Equipment
AY 148

Pos	Part	Q1	Q2	Q3	Q4	Q5	PS	Kit	Description	Option(s)	Remark
1	VOE11172866	1							Anchorage		LH, SER NO - 1682

	VOE11172866	1						Anchorage		LH, SER NO 1683 -
2	VOE11172486	1					SS	Anchorage		(VOE11108415)RH
3	VOE955581	8						Hexagon screw		
4	VOE930844	8						Washer		
5	VOE963369	2						Hexagon screw		
6	VOE11094468	4						Washer		
7	VOE11094408	2						Engine pad		
8	VOE11094043	2						Engine pad		
9	VOE955905	4						Washer		
10	VOE11130812	2					NS	Attachment		
11	VOE961997	2						Hexagon nut		
12	VOE963315	8						Hexagon screw		
13	VOE11055608	16						Washer		(930846)
14	VOE961995	8						Hexagon nut		

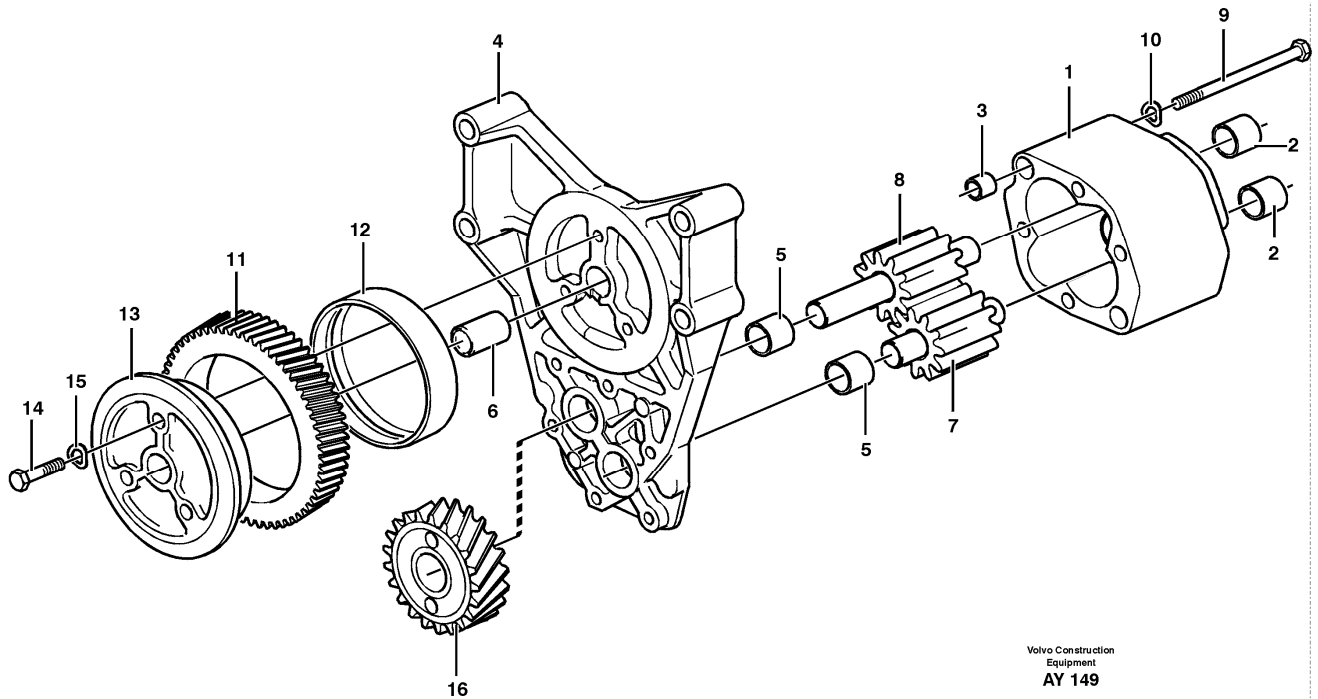
Date: 2014/3/11	Image id: AY209	Catalogue: 97800	Model: L220D
Brand: Volvo	Serial: 1001-10000	Group/Section: 221/100	Title: Lubricating oil system



Pos	Part	Q1	Q2	Q3	Q4	Q5	PS	Kit	Description	Option(s)	Remark
1	VOE478649	1							Oil pump		See ref 221/150
2	VOE955538	4							Hexagon screw		
3	VOE13942336	4							Spring washer		(942336)
4	VOE479325	1							Oil strainer		
5	VOE470263	1							Sealing ring		
6	VOE949659	1							O-ring		
7	VOE192546	2							Screw		
8	VOE959795	2							Hexagon screw		L = 140 MM
9	VOE13941907	4							Washer		(941907)
10	VOE470375	1							Delivery pipe		
11	VOE470918	1							Bracket		
12	VOE942402	2							Flange screw		
13	VOE466908	1							Fitting		
14	VOE11000239	1							Clamp		

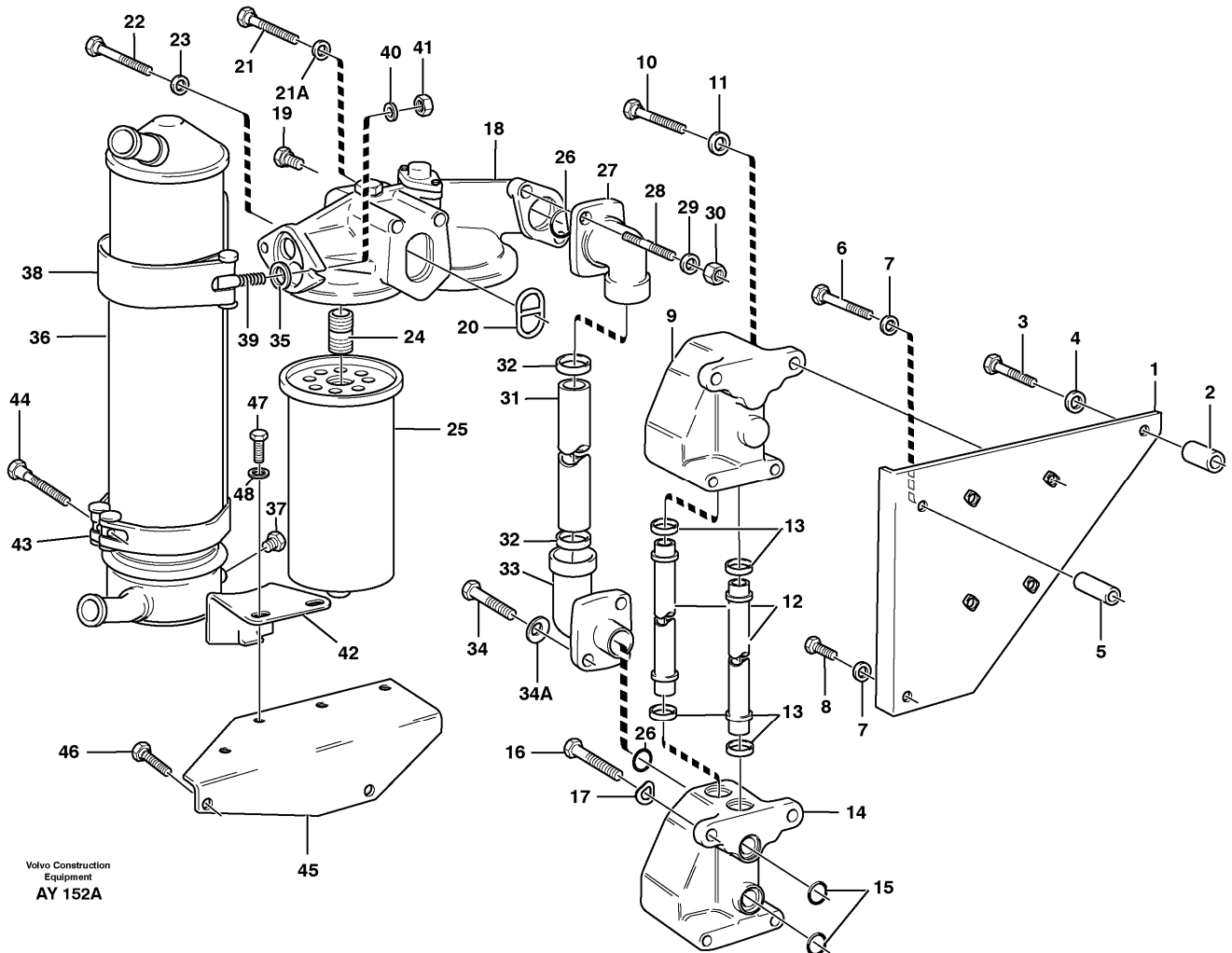
15	VOE942402	1							Flange screw		
16	VOE13955894	1							Washer		(955894)
17	VOE945467	1							Lock nut		
18	VOE471752	1							Cover		
19	VOE949658	1							O-ring		
20	VOE471707	1							Reduction valve		
21	VOE469846	1							Sealing ring		
22	VOE940100	2							Hexagon screw		
23	VOE13941906	2							Washer		(941906)
24	VOE468539	6							Nozzle		ENG - 249224
	VOE478596	6							Nozzle		ENG 249225 -
25	VOE13948587	6							Lock screw		(948587)
26		1							Oil cooler		See ref 222/100

Date: 2014/3/11	Image id: AY149	Catalogue: 97800	Model: L220D
Brand: Volvo	Serial: 1001-10000	Group/Section: 221/150	Title: Oil pump



Pos	Part	Q1	Q2	Q3	Q4	Q5	PS	Kit	Description	Option(s)	Remark
	VOE478649	1							Oil pump		
1	VOE470344	1					NS		•Oil pump housing		
2	VOE470347	2						K	••Bushing		
3	VOE401146	2							••Guide sleeve		
4	VOE470348	1					NS		•Bracket		
5	VOE470347	2						K	••Bushing		
6	VOE191171	1							••Pin		
7	VOE478651	1					NS	K	•Shaft		
8	VOE478650	1					NS	K	•Shaft		
9	VOE955531	2							•Hexagon screw		
10	VOE13941907	2							•Washer		(941907)
11	VOE422047	1							•Idler gear		
12	VOE422314	1							••Bushing		
13	VOE422313	1							•Bearing sleeve		
14	VOE940186	3							•Hexagon screw		(921827)
15	VOE13941907	3							•Washer		(941907)
16	VOE478232	1							•Drive Gear		
	VOE276156	1							Repair kit		

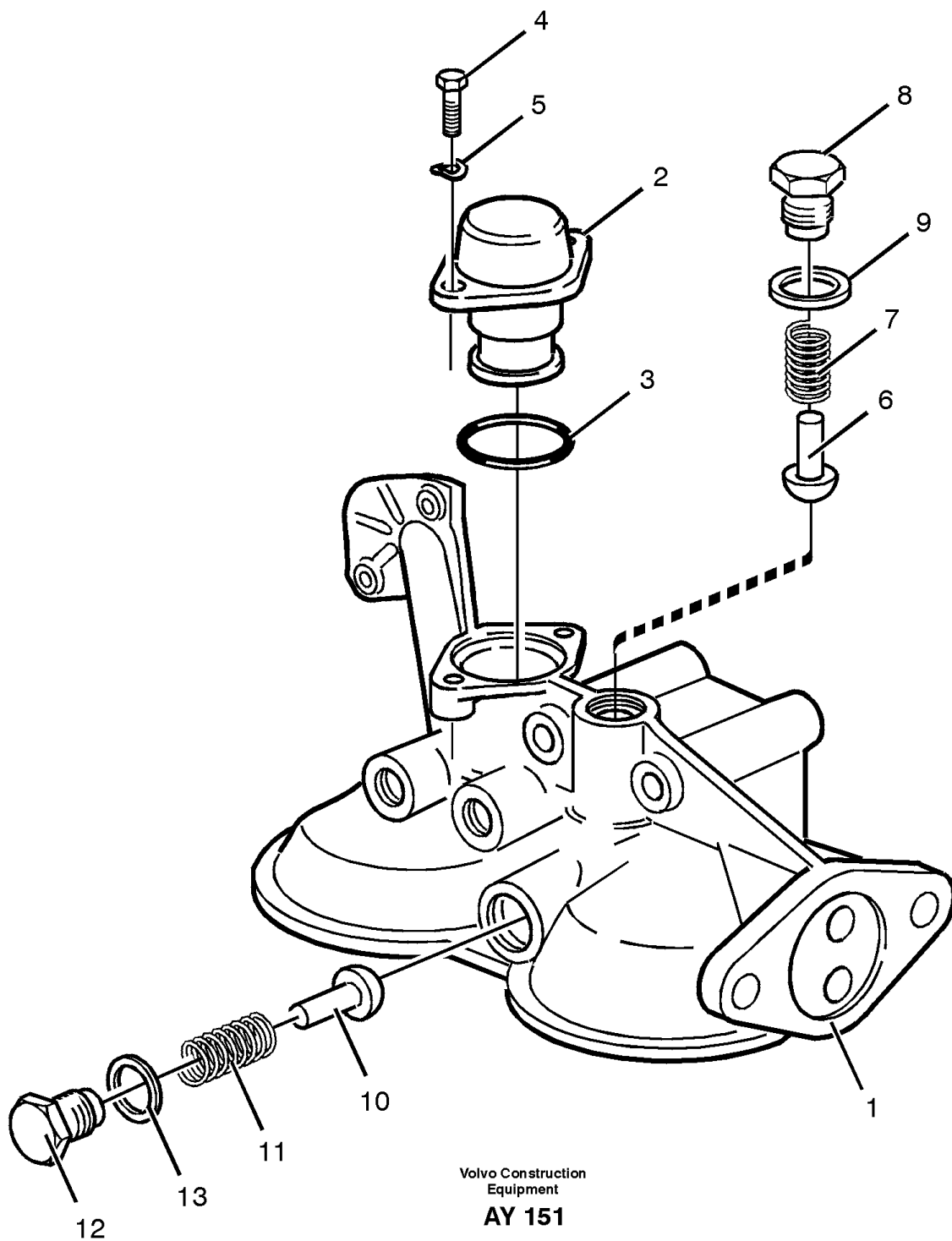
Date: 2014/3/11	Image id: AY152A	Catalogue: 97800	Model: L220D
Brand: Volvo	Serial: 1001-10000	Group/Section: 222/100	Title: Oil-cooler, oilfilter with mountings



Pos	Part	Q1	Q2	Q3	Q4	Q5	PS	Kit	Description	Option(s)	Remark
1	VOE11031859	1							Bracket		
2	VOE11031610	1							Spacer		
3	VOE955564	1							Hexagon screw		
4	VOE940280	1							Spring washer		
5	VOE930438	1							Spacer ring		
6	VOE955537	1							Hexagon screw		
7	VOE13940097	2							Washer		(940097)
8	VOE13940115	1							Screw		(940115)
9	VOE11127530	1							Housing		MO - 315200, REPL BY 11127530
	VOE11127530	1							Housing		(VOE11031037)MO 315201 -
10	VOE13940115	2							Screw		MO - 315200, L = 25

										MM
	VOE955541	2							Hexagon screw	MO 315201 -, L = 76 MM
	VOE955537	2							Hexagon screw	L = 51 MM
11	VOE13940097	2							Washer	(940097)
12	VOE11031040	2							Pipe	
13	VOE471956	4							Sealing ring	
14	VOE11127562	1							Housing	
15	VOE13949656	2							O-ring	(949656)
16	VOE955541	4							Hexagon screw	
17	VOE13942336	2							Spring washer	(942336)
	VOE13940097	2							Washer	(940097)
18	VOE470983	1							Housing	See ref 222/150
19	VOE479955	2							Plug	
20	VOE469486	1							Gasket	
21	VOE942529	2							Hexagon screw	L = 108 MM
21A	VOE13942336	2							Spring washer	
22	VOE940156	2							Hexagon screw	L = 89 MM
23	VOE13942336	2							Spring washer	(942336)
24	VOE466623	2							Nipple	
25	VOE466634	2							Oil filter	
26	VOE949659	2							O-ring	
27	VOE11031593	1							Connecting flange	
28	VOE953460	2							Stud	
29	VOE13955894	4							Washer	(VOE955894)
30	VOE955826	4							Hexagon nut	
31	VOE11031597	1							Pipe	
32	VOE471956	2							Sealing ring	
33	VOE11031608	1							Connecting flange	
34	VOE13940159	2							Screw	(940159)
34A	VOE13941907	2							Washer	
35	VOE469483	2							Sealing ring	
36	VOE468999	1							Oil cooler	
37	VOE180759	1							•Plug	
38	VOE1545255	1							Tensioning band	
39	VOE924072	2							Stud	
40	VOE11117464	2							Washer	(VOE13960141) (960141)
41	VOE13945408	2							Nut	(945408)
42	VOE479622	1							Bracket	
43	VOE1545256	1							Tensioning band	
44	VOE1545257	1							Screw	
45	VOE11127006	1					NS		Bracket	
46	VOE946440	3							Flange screw	
47	VOE13948587	2							Lock screw	(948587)
48	VOE11117464	2							Washer	(VOE13960141)

Date: 2014/3/11	Image id: AY151	Catalogue: 97800	Model: L220D
Brand: Volvo	Serial: 1001-10000	Group/Section: 222/150	Title: Oil filter housing



Pos	Part	Q1	Q2	Q3	Q4	Q5	PS	Kit	Description	Option(s)	Remark
	VOE470983	1							Housing		

1	VOE470984	1					NS		•Housing		
2	VOE468838	1							•Valve		
	VOE11987568	1							••Flange		
3	VOE949659	1							•O-ring		
4	VOE940094	2							•Hexagon screw		
5	VOE13941906	2							•Washer		(941906)
6	VOE471085	1							•Valve cone		
7	VOE466653	1							•Compression spring		
8	VOE466624	1							•Plug		ID = 10.4 MM
9	VOE957185	1							•Gasket		
10	VOE471085	1							•Valve cone		
11	VOE471775	1							•Compression spring		L min = 29 MM
12	VOE478176	1							•Plug		ID = 11.4 MM
13	VOE957185	1							•Gasket		

Thank you so much for reading.
Please click the “Buy Now!”
button below to download the
complete manual.



After you pay.

You can download the most
perfect and complete manual in
the world immediately.

Our support email:

ebooklibonline@outlook.com