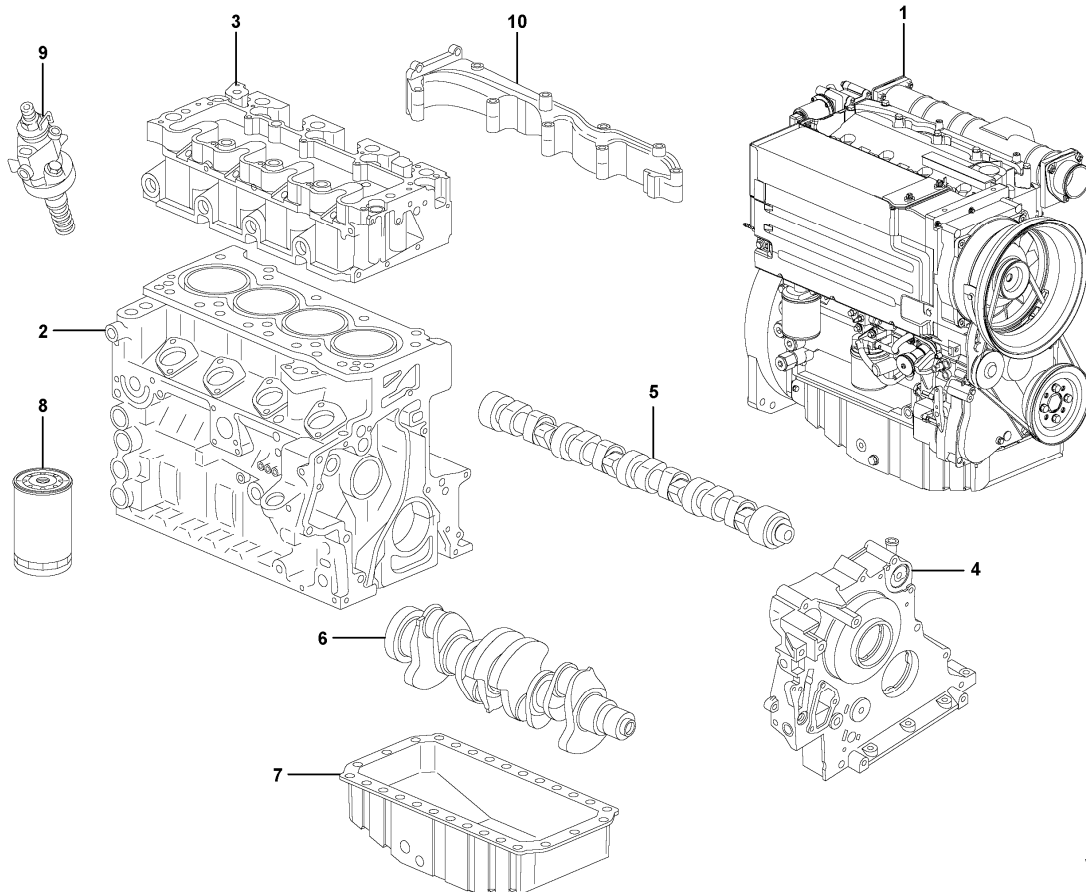


Date: <b>2013/11/5</b>	Image id: <b>1056598</b>	Catalogue: <b>20577</b>	Model: <b>L25F</b>
Brand: <b>Volvo</b>	Serial: <b>1755001-</b>	Group/Section: <b>210/100</b>	Title: <b>Engine</b>

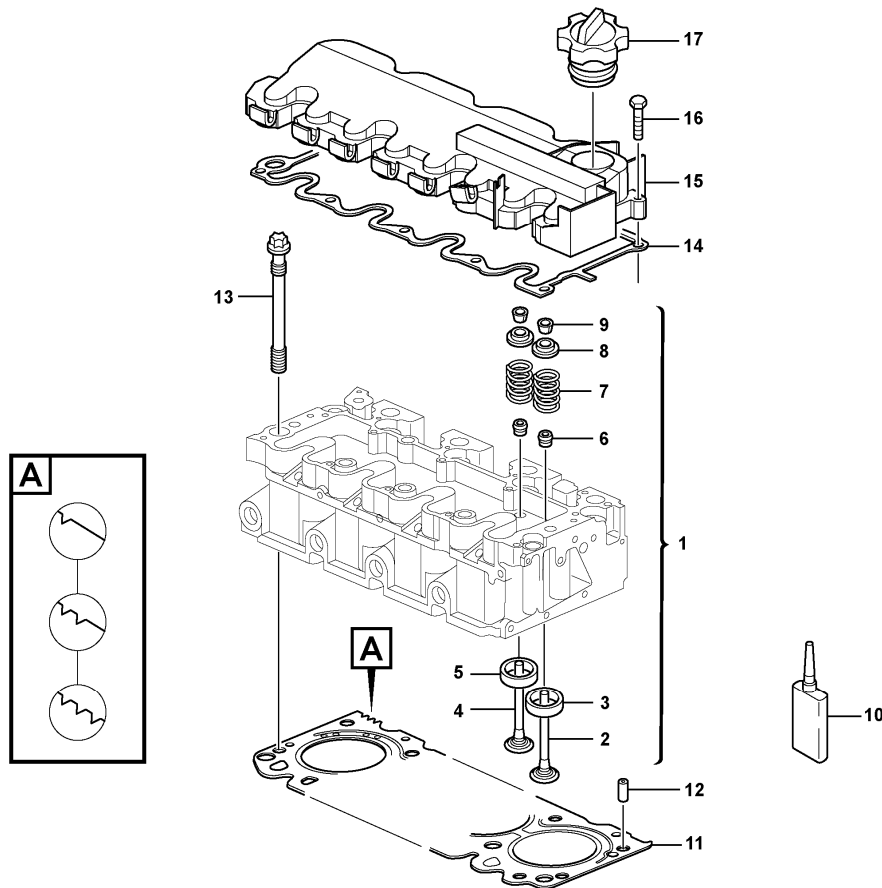


Volvo Construction  
Equipment  
1056598

Section option	Kit	Option description
VOE15211726		Engine L25F

Pos	Part	Q1	Q2	Q3	Q4	Q5	PS	Kit	Description	Option(s)	Remark
1	VOE15211726	1							Engine		
2		1							•Cylinder block		See ref 212/100
3		1							•Cylinder head		See ref 211/100
4		1							•Timing gear casing		See ref 215/200
5		1							•Camshaft		See ref 215/100
6		1							•Crankshaft		See ref 216/100
7		1							•Oil sump		See ref 217/100
8		1							•Oil Filter		See ref 222/100
9		1							•Injector		See ref 236/100
10		1							•Inlet, exhaust syst.		See ref 251/100

Date: <b>2013/11/5</b>	Image id: <b>1056377</b>	Catalogue: <b>20577</b>	Model: <b>L25F</b>
Brand: <b>Volvo</b>	Serial: <b>1755001-</b>	Group/Section: <b>211/100</b>	Title: <b>Cylinder head</b>



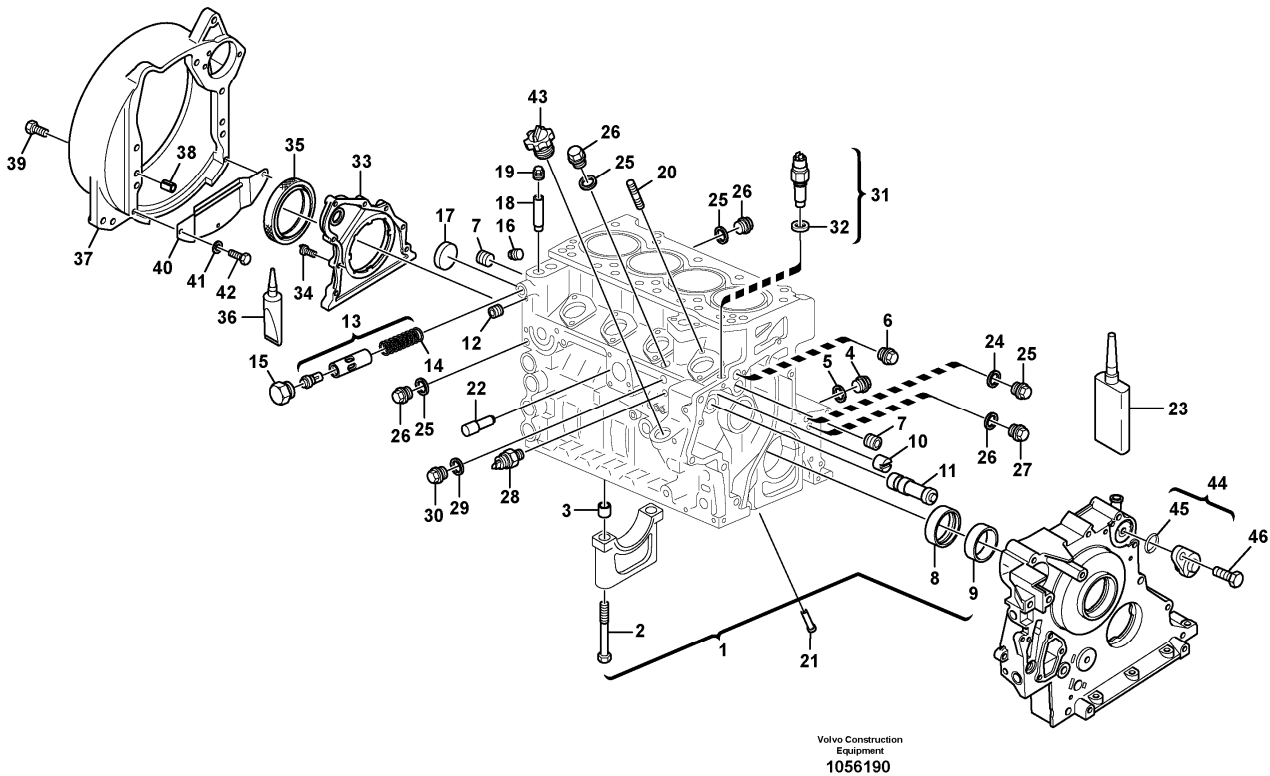
Volvo Construction  
Equipment  
1056377

Section option	Kit	Option description
VOE15211726		Engine L25F

Pos	Part	Q1	Q2	Q3	Q4	Q5	PS	Kit	Description	Option(s)	Remark
1	VOE15052804	1							Cylinder head		
2	ZM2908491	4							•Inlet valve		
3	VOE15052903	4							•Valve seat		
4	ZM2908492	4							•Exhaust Valve		
5	VOE15052901	4							•Valve seat		
6	VOE20459855	8							•Valve seal		(ZM2904368)
7	ZM2904091	8							•Pressure spring		
8	VOE15053220	8							•Washer		
9	VOE20459857	16							•Valve sleeve		
10	ZM2903912	REQ					OP		Locking agent		
11	VOE15052907	REQ							Cylinder head gasket		

11	VOE15052909	REQ							Cylinder head gasket		
11	VOE15052899	REQ							Cylinder head gasket		
12	VOE21033924	2							Guide pin		(ZM2904093)
13	ZM2904092	10							Cylinder head screw		
14	VOE15153288	1							Gasket		
15	VOE11370139	1							Valve cover		
16	ZM2908485	10							Screw		M6X30
17	ZM2904064	1							Filler cap		

Date: <b>2013/11/5</b>	Image id: <b>1056190</b>	Catalogue: <b>20577</b>	Model: <b>L25F</b>
Brand: <b>Volvo</b>	Serial: <b>1755001-</b>	Group/Section: <b>212/100</b>	Title: <b>Engine housing</b>

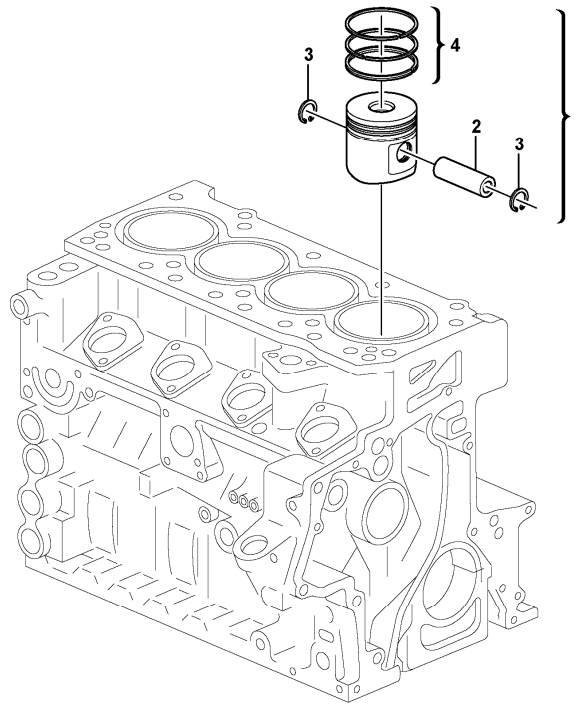


Section option	Kit	Option description
VOE15211726		Engine L25F

Pos	Part	Q1	Q2	Q3	Q4	Q5	PS	Kit	Description	Option(s)	Remark
1	VOE15075766	1							Block		
2	ZM2290540	8							•Hexagon screw		
3	ZM4010300	8							•Bushing		
4	VOE20459941	1							•Plug		
5	VOE20460061	1							•Sealing ring		
6	ZM2904050	1							•Screw plug		
7	ZM2908480	2							•Screw plug		
8	ZM2904048	2							•Bearing bush		
9	VOE20795762	3							•Bearing Bushing		
10	VOE15053296	2							•Guide sleeve		
11	VOE15053810	1							•Plug		
12	VOE2905340	1							•Screw plug		

13	ZM2904169	1							•Thermostat		
14	ZM2904053	1							••Pressure spring		
15	ZM2905345	1							•Screw plug		
16	ZM20405718	1							•Screw plug		
17	VOE11370179	1							•Cover		
18	ZM2904051	1							•Tube		
19	ZM2905344	1							•Screw plug		
20	VOE11715739	8							•Stud		
21	ZM2904056	8							•Piston cooling jet		
22	ZM2904057	1							•Pin		
23	ZM2903912	REQ					OP		Locking agent		
24	VOE11700631	4							Sealing ring		
25	VOE960628	4							Plug		
26	VOE13947624	1							Plane gasket		
27	VOE20405506	1							Plug		
28	ZM2905379	1							Oil pressure switch		
29	VOE13947624	1							Plane gasket		
30	VOE20799217	1							Plug		
31	VOE15054496	1							Sensor		
32	VOE15051423	1							•Sealing ring		
33	VOE11715813	1							Cover		
34	ZM2290455	8							Screw		M8x30
35	ZM2292220	1							Radial seal		
36	ZM4084070	REQ							Sealant		
37	ZM2905335	1							Intermediate housing		
38	ZM2290547	2							Bushing		
39	VOE20554683	4							Screw		
40	ZM2290561	1							Cover plate		
41	VOE973494	3							Washer		(VOE20459183)
42	VOE20459986	3							Screw		
43	ZM2904064	1							Filler cap		
44	ZM2904065	1							Valve		
45	ZM2904066	1							•O-ring		
46	VOE11370258	1							Hexagon screw		

Date: <b>2013/11/5</b>	Image id: <b>1056226</b>	Catalogue: <b>20577</b>	Model: <b>L25F</b>
Brand: <b>Volvo</b>	Serial: <b>1755001-</b>	Group/Section: <b>213/100</b>	Title: <b>Piston</b>

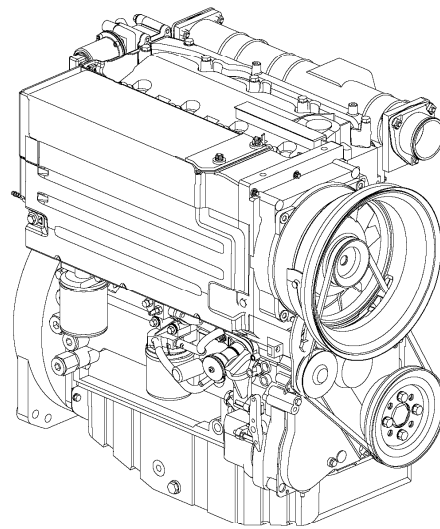
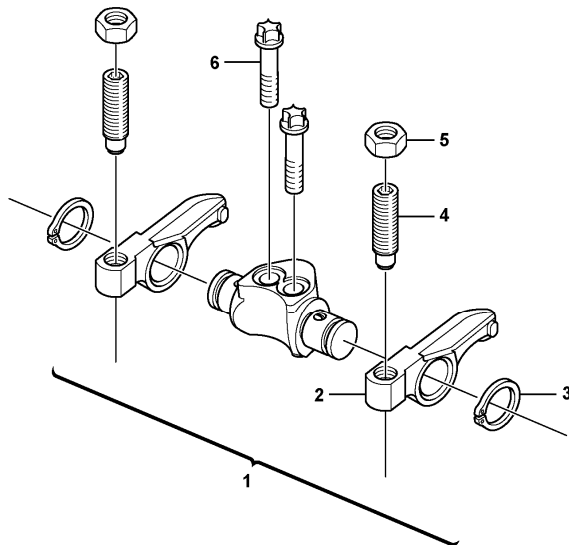


Volvo Construction  
Equipment  
1056226

Pos	Part	Q1	Q2	Q3	Q4	Q5	PS	Kit	Description	Option(s)	Remark
1	VOE15052788	4							Piston		See footnote 3735)
2	VOE11715530	1							•Bolt		
3	VOE11715531	2							•Retaining ring		
4	VOE15053376	1							•Piston ring kit		

3735) Compression class A

Date: <b>2013/11/5</b>	Image id: <b>1056336</b>	Catalogue: <b>20577</b>	Model: <b>L25F</b>
Brand: <b>Volvo</b>	Serial: <b>1755001-</b>	Group/Section: <b>214/100</b>	Title: <b>Valve mechanism</b>

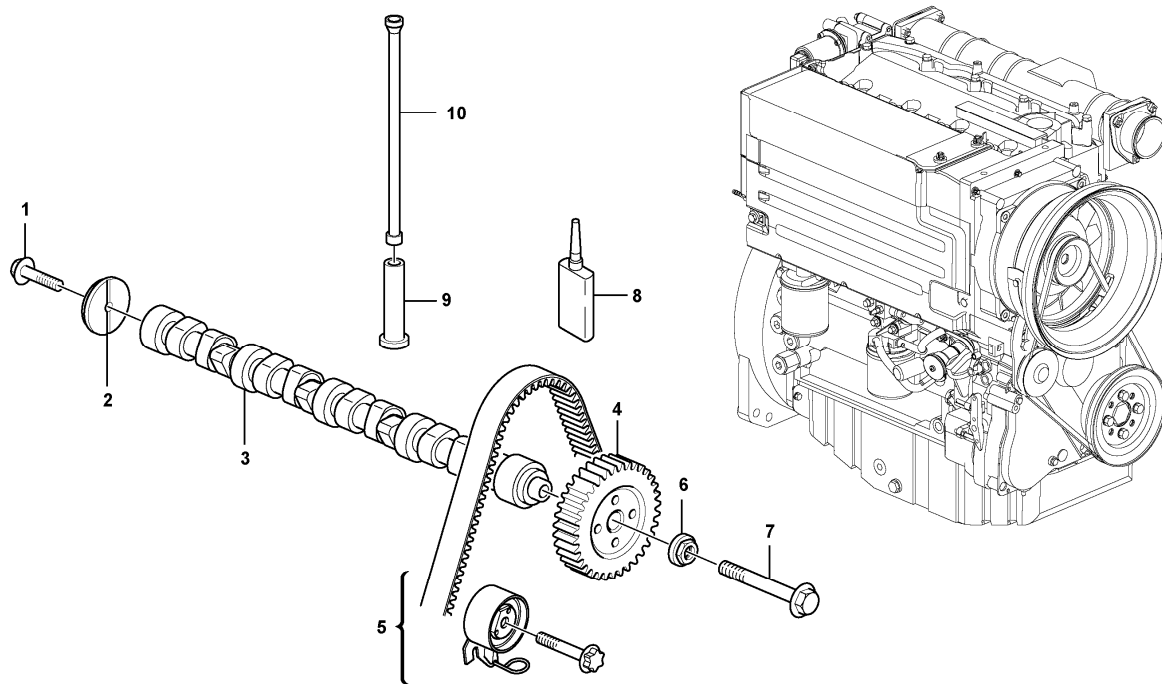


Volvo Construction  
Equipment  
1056336

Section option	Kit	Option description
VOE15211726		Engine L25F

Pos	Part	Q1	Q2	Q3	Q4	Q5	PS	Kit	Description	Option(s)	Remark
1	ZM2290529	4							Valve rocker support		
2	ZM2290526	2							•Rocker Arm		
3	ZM7094952	2							•Safety ring		18X1,2
4	ZM2290527	2							•Adjusting screw		
5	VOE11700373	2							•Nut		
6	VOE20459853	8							Screw		

Date: <b>2013/11/5</b>	Image id: <b>1056478</b>	Catalogue: <b>20577</b>	Model: <b>L25F</b>
Brand: <b>Volvo</b>	Serial: <b>1755001-</b>	Group/Section: <b>215/100</b>	Title: <b>Camshaft</b>



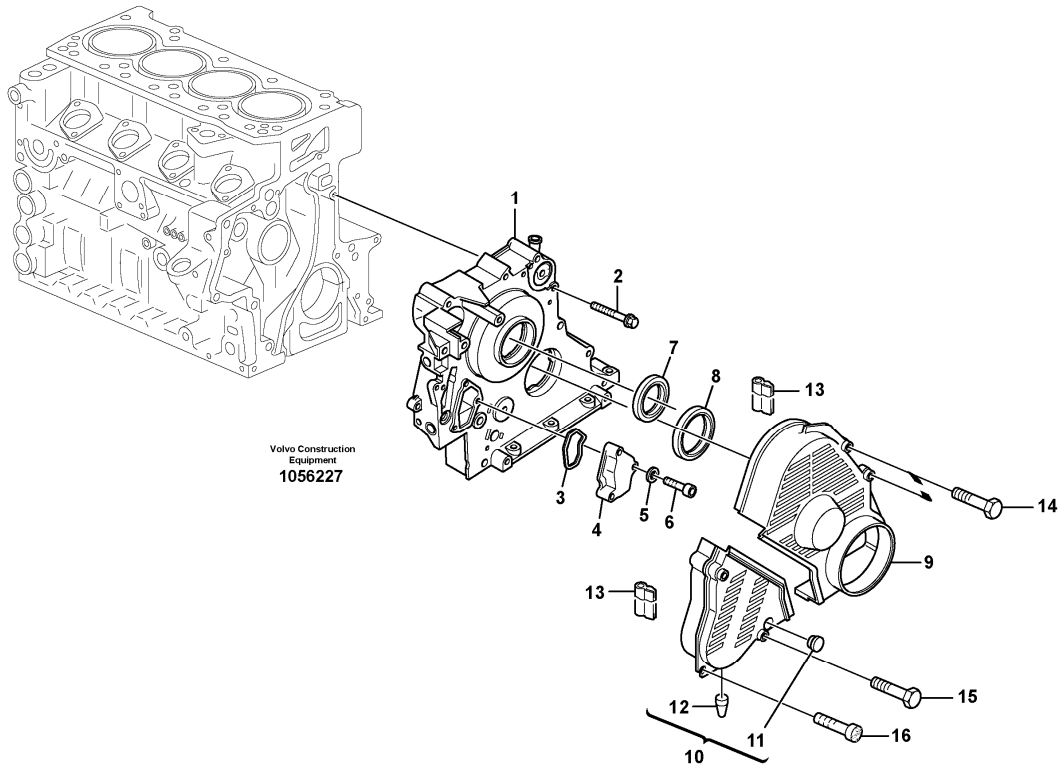
Volvo Construction  
Equipment  
1056478

Section option	Kit	Option description
VOE15211726		Engine L25F

Pos	Part	Q1	Q2	Q3	Q4	Q5	PS	Kit	Description	Option(s)	Remark
1	VOE20556888	1							Hexagon screw		
2	ZM2290517	1							Spacer disc		
3	VOE15053308	1							Camshaft		
4	VOE15053819	1							Camshaft gear		
5	VOE20945013	1							Repair Kit		
6	ZM2290522	1							Washer		
7	VOE20797281	1							Hexagon screw		
8	ZM4084070	REQ							Sealant		
9	ZM2904101	8							Valve tappet		
10	VOE15053292	8							Push rod		



Date: <b>2013/11/5</b>	Image id: <b>1056227</b>	Catalogue: <b>20577</b>	Model: <b>L25F</b>
Brand: <b>Volvo</b>	Serial: <b>1755001-</b>	Group/Section: <b>215/200</b>	Title: <b>Timing gear housing (front cover)</b>



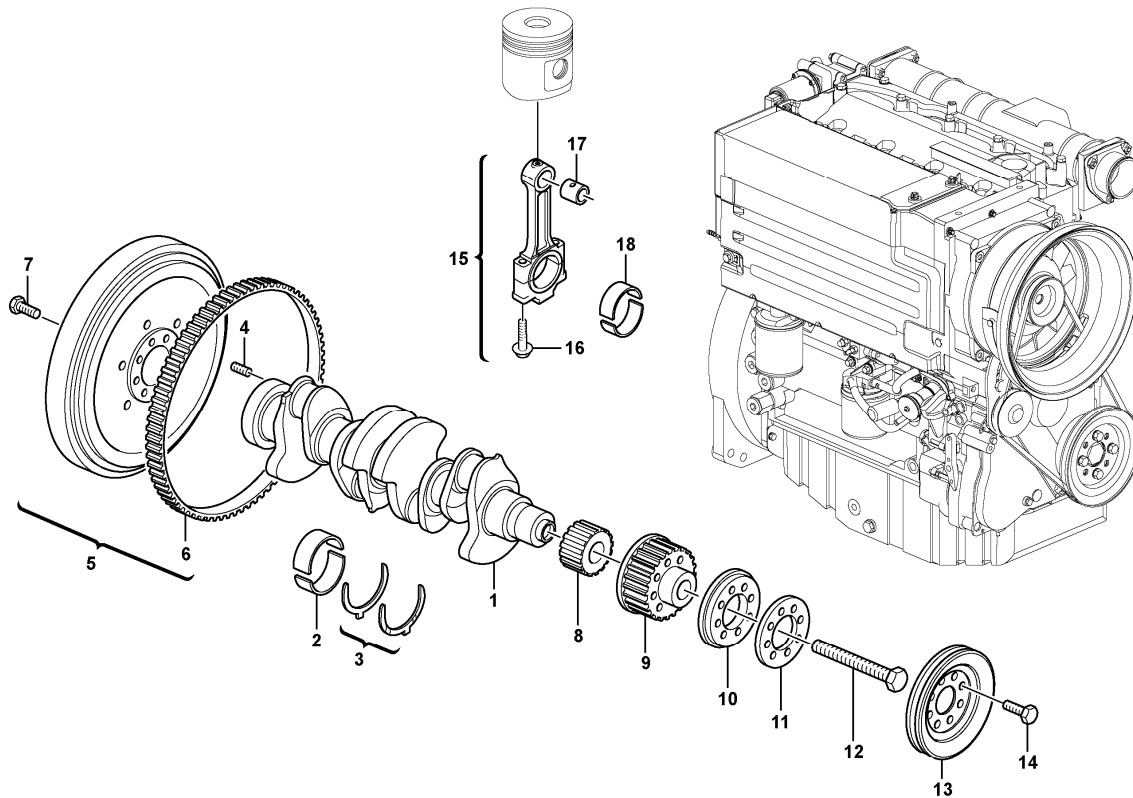
Section option	Kit	Option description
VOE15211726		Engine L25F

Pos	Part	Q1	Q2	Q3	Q4	Q5	PS	Kit	Description	Option(s)	Remark
1	VOE11370643	1							Cover		
2	ZM2908498	12							Screw		
3	ZM2904068	1							Profil gasket		
4	ZM2904070	1							Cover		
5	VOE20459074	3							Washer		(VOE11700497)
6	VOE11370253	3							Screw		
7	ZM2291470	1							Seal		
8	ZM2290458	1							Seal		
9	VOE11715748	1							Protecting casing		See footnote 1415)
10	VOE11715749	1							Protecting casing		
11	ZM2904072	1							•Plug		
12	VOE11370190	1							•Rubber sleeve		

13	VOE11370596	REQ							Sealing moulding		
14	VOE11370191	3							Hexagon screw		
15	VOE11370192	2							Hexagon screw		
16	VOE20460068	1							Screw		

1415) not by auxiliary pump

Date: <b>2013/11/5</b>	Image id: <b>1056367</b>	Catalogue: <b>20577</b>	Model: <b>L25F</b>
Brand: <b>Volvo</b>	Serial: <b>1755001-</b>	Group/Section: <b>216/100</b>	Title: <b>Crankshaft</b>



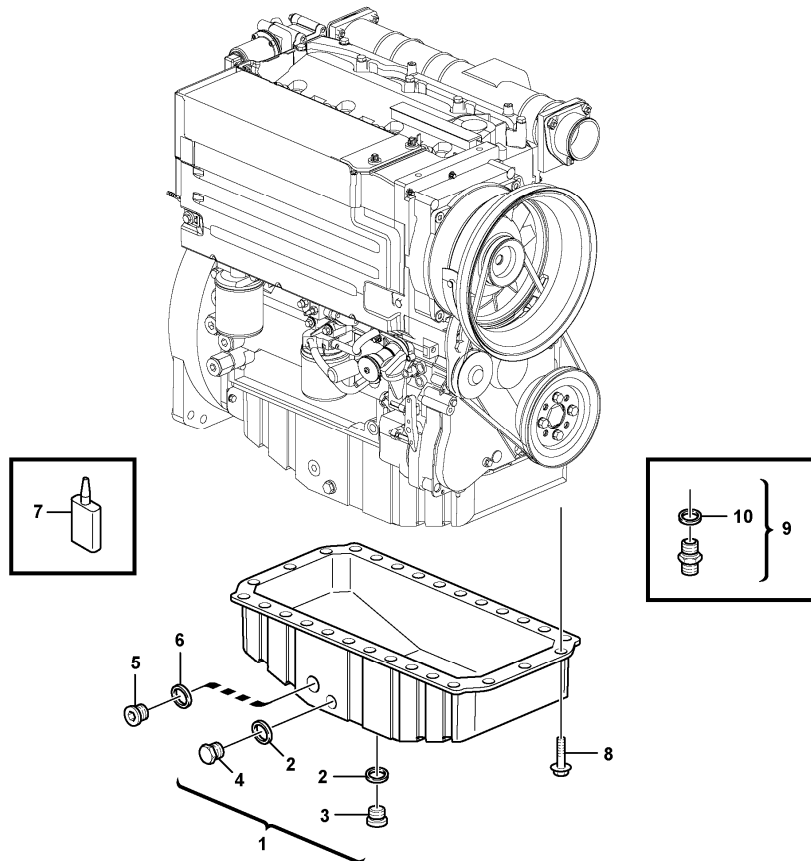
Volvo Construction  
Equipment  
1056367

Section option	Kit	Option description
VOE15211726		Engine L25F

Pos	Part	Q1	Q2	Q3	Q4	Q5	PS	Kit	Description	Option(s)	Remark
1	VOE15053306	1							Crankshaft		
2	ZM2290400	5							•Crankshaft bearing		70,00 MM
3	VOE20944762	1							•Thrust Washer		2,40 MM
4	ZM2904375	1							Thread Insert		
5	ZM2908532	1							Flywheel		
6	ZM2908533	1							•Gear ring		
7	ZM2290407	8							Screw		
8	ZM2290408	1							Toothed belt wheel		
9	ZM2290409	1							Toothed belt wheel		
10	VOE11370230	1							Spacer		
11	VOE11370135	1							Deflector		
12	ZM2290411	1							Screw		(VOE11715741)

13	ZM2905385	1							V-belt pulley		
14	ZM2908482	8							Screw		(ZM2900545)
15	VOE15053277	4							Connecting rod		
16	VOE15053932	8							•Screw		
17	ZM2290431	4							•Bushing		STD
17	ZM2900544	4							•Bushing		O SZ 33,22-33,36
18	VOE15186588	4							•Big-end Bearing kit		(VOE15053863)

Date: <b>2013/11/5</b>	Image id: <b>1056237</b>	Catalogue: <b>20577</b>	Model: <b>L25F</b>
Brand: <b>Volvo</b>	Serial: <b>1755001-</b>	Group/Section: <b>217/100</b>	Title: <b>Oil sump</b>

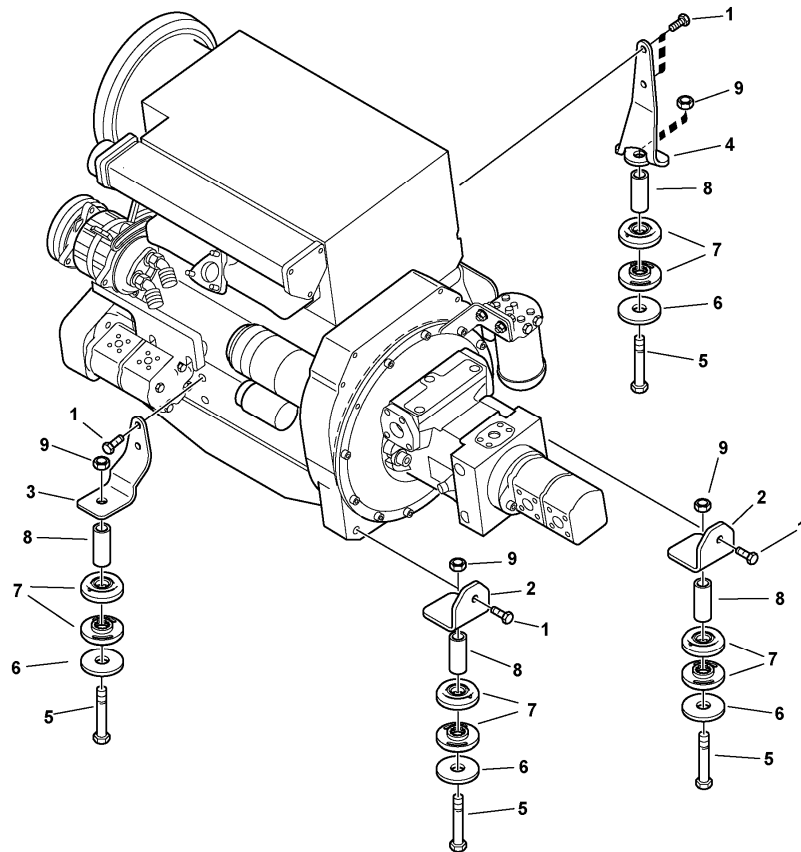


Volvo Construction  
Equipment  
1056237

Section option	Kit	Option description
VOE15211726		Engine L25F

Pos	Part	Q1	Q2	Q3	Q4	Q5	PS	Kit	Description	Option(s)	Remark
1	VOE11370134	1							Oil pan		
2	VOE13947624	2							•Plane gasket		
3	VOE20450891	1							•Plug		M18X1,5
4	VOE20405506	1							•Plug		
5	VOE20460024	1							Plug		
6	VOE20460026	1							Sealing ring		(ZM7099523)
7	ZM11712439	REQ							Sealing compound		
8	ZM2292234	26							Screw		
9	VOE20450851	1							Drain valve		
10	VOE20450890	1							•Sealing ring		

Date: <b>2013/11/5</b>	Image id: <b>1055726</b>	Catalogue: <b>20577</b>	Model: <b>L25F</b>
Brand: <b>Volvo</b>	Serial: <b>1755001-</b>	Group/Section: <b>218/100</b>	Title: <b>Engine assy 11390019 , 11390020</b>



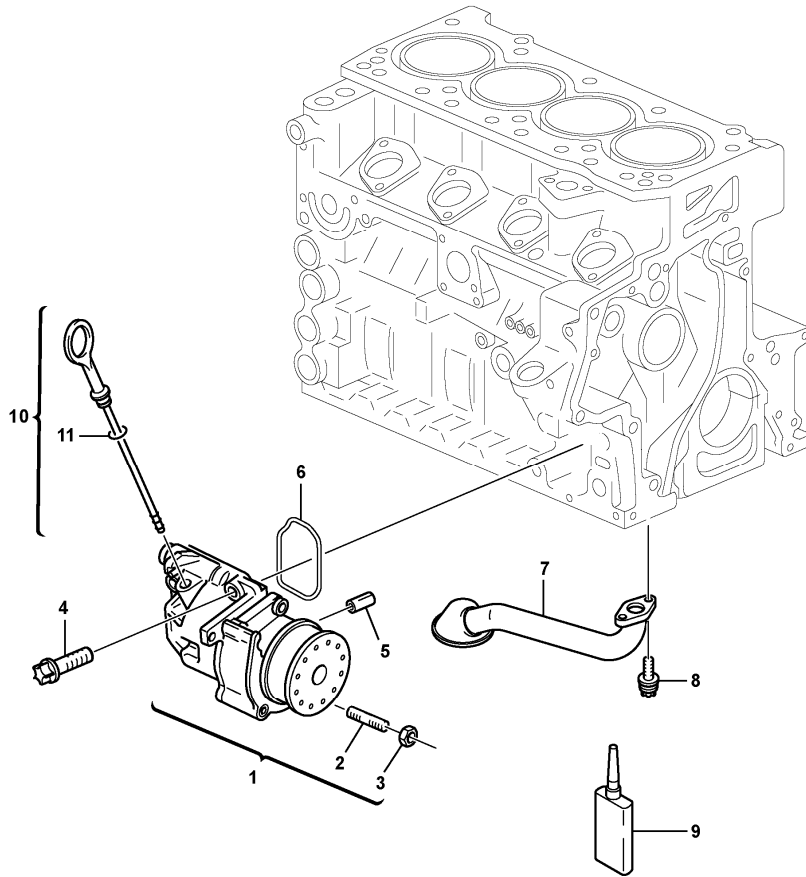
Volvo Construction  
Equipment  
1055726

Section option	Kit	Option description
VOE11390019		Wheel loader L25F
VOE11390020		Wheel loader L25F-Z

Pos	Part	Q1	Q2	Q3	Q4	Q5	PS	Kit	Description	Option(s)	Remark
1	VOE980056	6							Flange screw		M14x30
2	VOE11306348	2							Retainer		1700845-
3	VOE11306347	1							Retainer		1700845-
4	VOE11306346	1							Retainer		1700845-
5	VOE978952	4							Hexagon screw		M20x100 S/N 1700845 - 1755557
5	VOE978953	4							Hexagon screw		M20x100 S/N 1755558 -
6	VOE11307333	4							Washer		1700845-
7	ZM2811225	8							Buffer		
8	ZM2812436	4							Tube		

9	VOE982489	4						Lock nut		(ZM7098016)
---	-----------	---	--	--	--	--	--	----------	--	-------------

Date: <b>2013/11/5</b>	Image id: <b>1056325</b>	Catalogue: <b>20577</b>	Model: <b>L25F</b>
Brand: <b>Volvo</b>	Serial: <b>1755001-</b>	Group/Section: <b>221/100</b>	Title: <b>Oil pump</b>



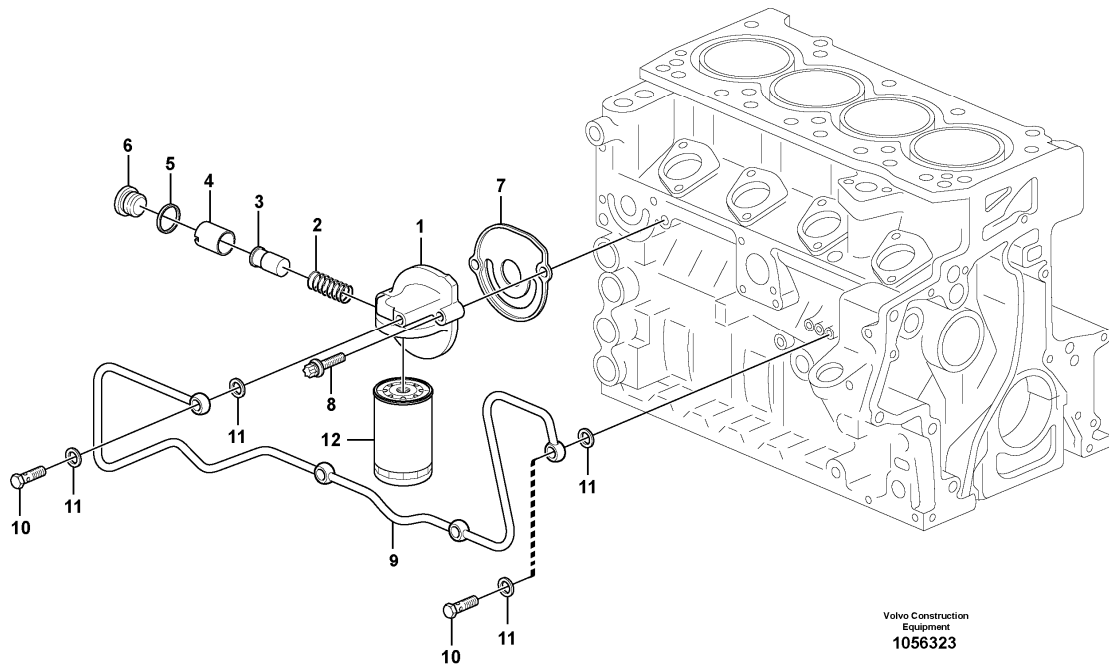
Volvo Construction  
Equipment  
1056325

Section option	Kit	Option description
VOE15211726		Engine L25F

Pos	Part	Q1	Q2	Q3	Q4	Q5	PS	Kit	Description	Option(s)	Remark
1	VOE15053902	1							Oil pump		
2	VOE15028996	1							•Pin		
3	VOE20460939	1							•Hexagon nut		M6
4	ZM2904117	4							Screw		
5	ZM2904118	2							Clamping pin		
6	ZM2904119	1							Gasket		
7	VOE11715751	1							Oil pipe		
8	ZM2908507	2							Screw		
9	ZM2903828	1					OP		Locking agent		
10	VOE15020602	1							Dipstick		
11	ZM2905171	1							•O-ring		8,5x2,5



Date: <b>2013/11/5</b>	Image id: <b>1056323</b>	Catalogue: <b>20577</b>	Model: <b>L25F</b>
Brand: <b>Volvo</b>	Serial: <b>1755001-</b>	Group/Section: <b>222/100</b>	Title: <b>Oil filter</b>

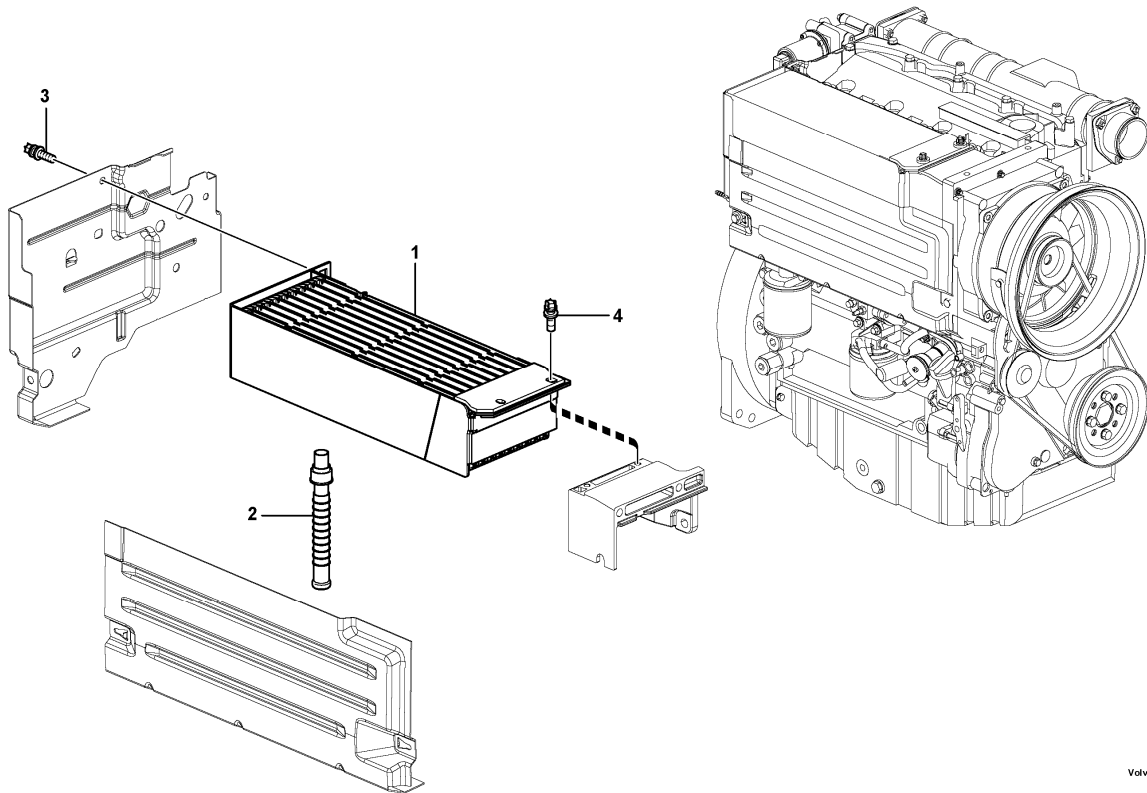


Section option	Kit	Option description
VOE15211726		Engine L25F

Pos	Part	Q1	Q2	Q3	Q4	Q5	PS	Kit	Description	Option(s)	Remark
1	VOE15053792	1							Oil filter housing		
2	VOE15053890	1							•Spring		
3	VOE15053936	1							•Temperature sensor		
4	VOE15053887	1							•Valve		
5	VOE20515173	1							•Gasket		
6	VOE21094611	1							•Plug		(VOE11715753)
7	VOE15053811	1							Gasket		
8	ZM2908513	2							Screw		
9	VOE15053897	1							Oil line		
10	ZM4074290	4							•Tube		
11	VOE13947281	8							•Gasket		

12	VOE11715272	1							Oil filter		
----	-------------	---	--	--	--	--	--	--	------------	--	--

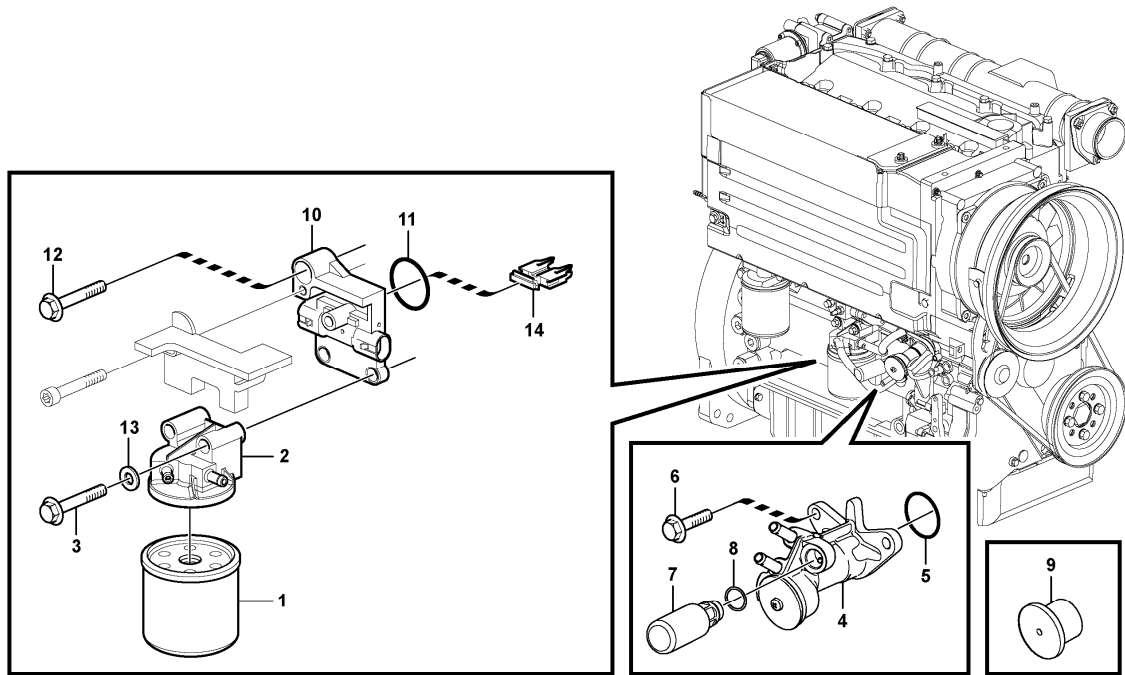
Date: <b>2013/11/5</b>	Image id: <b>1056283</b>	Catalogue: <b>20577</b>	Model: <b>L25F</b>
Brand: <b>Volvo</b>	Serial: <b>1755001-</b>	Group/Section: <b>223/100</b>	Title: <b>Oil cooler</b>



Volvo Construction  
Equipment  
1056283

Pos	Part	Q1	Q2	Q3	Q4	Q5	PS	Kit	Description	Option(s)	Remark
1	VOE15114649	1							Oil cooler		
2	VOE15053786	2							Plug		
3	ZM2904121	2							Screw		
4	VOE11370595	2							Torque screw		

Date: <b>2013/11/5</b>	Image id: <b>1056301</b>	Catalogue: <b>20577</b>	Model: <b>L25F</b>
Brand: <b>Volvo</b>	Serial: <b>1755001-</b>	Group/Section: <b>233/100</b>	Title: <b>Fuel filter - Feed pump</b>



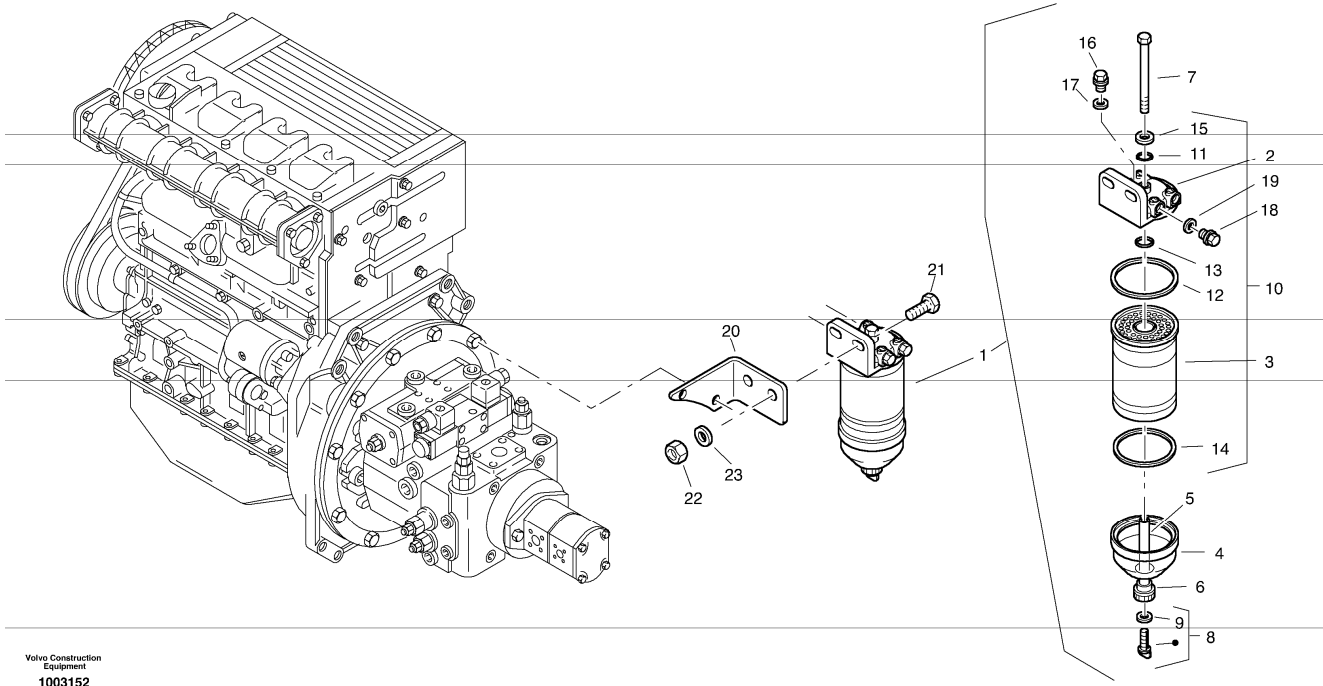
Volvo Construction  
Equipment  
1056301

Section option	Kit	Option description
VOE15211726		Engine L25F

Pos	Part	Q1	Q2	Q3	Q4	Q5	PS	Kit	Description	Option(s)	Remark
1	ZM2905303	1							Filter		
2	ZM2904125	4							Bracket		
3	VOE20405709	2							Screw		
4	VOE15199189	1							Fuel pump		(VOE11370634)
5	VOE15053642	1							•Sealing ring		
6	ZM2908512	2							Screw		
7	VOE20412750	1							•Hand pump		
8	VOE15051467	1							•Sealing ring		
9	VOE15184833	1							•Repair kit		
10	VOE15102683	1							Sensor		
11	VOE15106940	1							•O-ring		
12	VOE20405792	1							Screw		



Date: <b>2013/11/5</b>	Image id: <b>1003152</b>	Catalogue: <b>20577</b>	Model: <b>L25F</b>
Brand: <b>Volvo</b>	Serial: <b>1755001-</b>	Group/Section: <b>233/200</b>	Title: <b>Filter - Water separator 11390019 , 11390020</b>



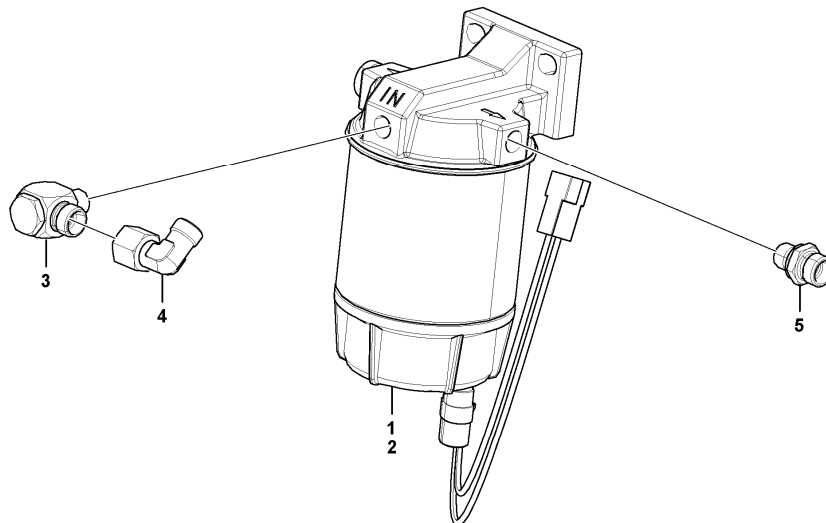
Volvo Construction  
Equipment  
1003152

Section option	Kit	Option description
VOE11390019		Wheel loader L25F
VOE11390020		Wheel loader L25F-Z

Pos	Part	Q1	Q2	Q3	Q4	Q5	PS	Kit	Description	Option(s)	Remark
1	ZM2807872	1							Fuel filter		
2	ZM2905307	1					SS		•Filter head		
3	ZM2905298	1							•Filter cartridge		
4	ZM2905299	1							•Sight glass		
5	ZM2905300	1							•Knurled head screw		
6	VOE7242081	1							•Washer		(ZM2905301)
7	ZM2905302	1							•Screw		
8	VOE242595	1							•Plug		(ZM2905304)
9	ZM2910000	1							•Screw		
10	ZM2905306	1							•Gasket set, cpl.		
11	ZM2905308	1							••O-ring		
12	ZM2905309	1							••Gasket		
13	ZM2905310	1							••O-ring		
14	ZM2905311	1							••Gasket		
15	ZM2905312	1							••Washer		
16	ZM2905313	1							•Screw		

17	ZM2164940	1							•Seal		A10X14
18	ZM7099404	2							•Lock Plug		
19	ZM2905314	2							•Seal		
20	ZM2816411	1							Retainer		
21	VOE983251	2							Hexagon screw		M10X25
22	VOE983304	2							Hexagon nut		M10
23	VOE976945	2							Washer		10,5X22X2

Date: <b>2013/11/5</b>	Image id: <b>1056248</b>	Catalogue: <b>20577</b>	Model: <b>L25F</b>
Brand: <b>Volvo</b>	Serial: <b>1755001-</b>	Group/Section: <b>233/400</b>	Title: <b>Fuel preheater 11390281</b>

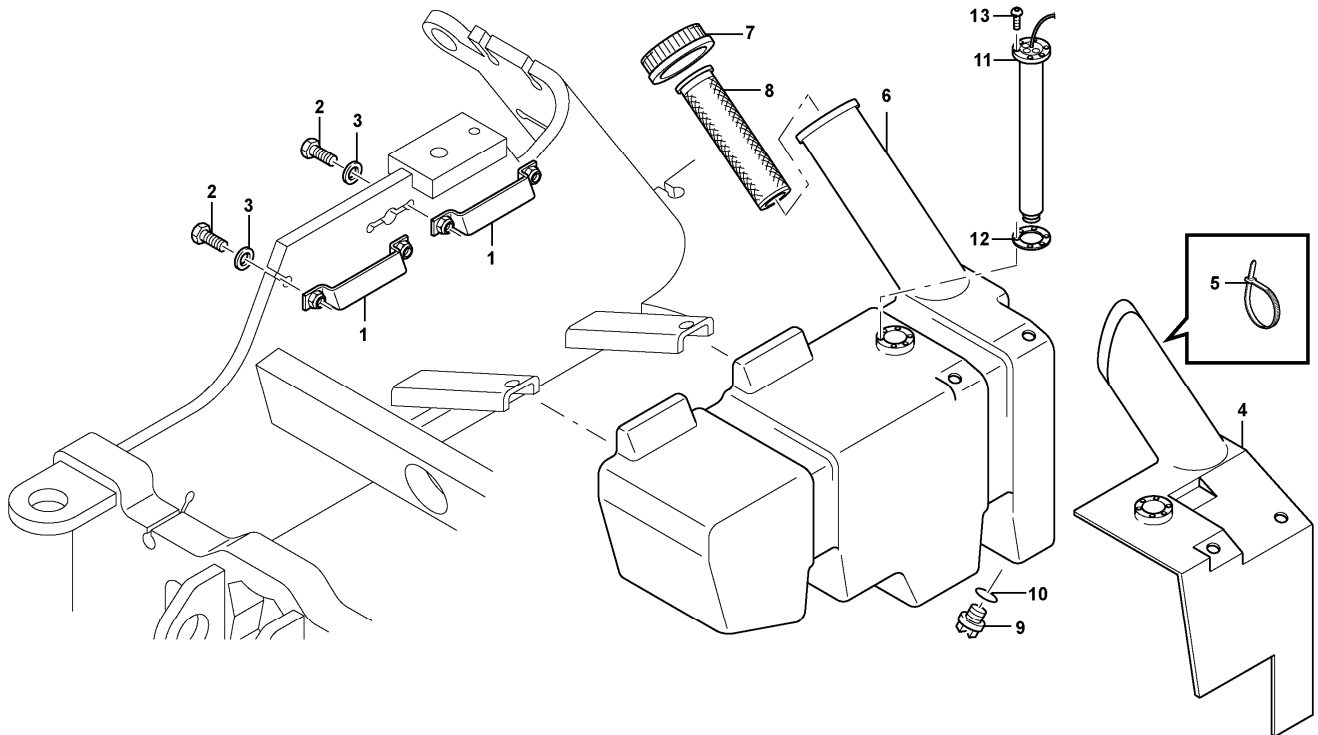


Volvo Construction  
Equipment  
1056248

Pos	Part	Q1	Q2	Q3	Q4	Q5	PS	Kit	Description	Option(s)	Remark
1	VOE11307566	1					NS		Precipitator		
2	VOE11716046	1							•Fuel filter		
3	VOE11306070	1							Banjo fitting		
4	VOE945357	1							Elbow nipple		
5	VOE11306932	1							Fitting		



Date: <b>2013/11/5</b>	Image id: <b>1056256</b>	Catalogue: <b>20577</b>	Model: <b>L25F</b>
Brand: <b>Volvo</b>	Serial: <b>1755001-</b>	Group/Section: <b>234/100</b>	Title: <b>Fuel tank 11390019 , 11390020</b>



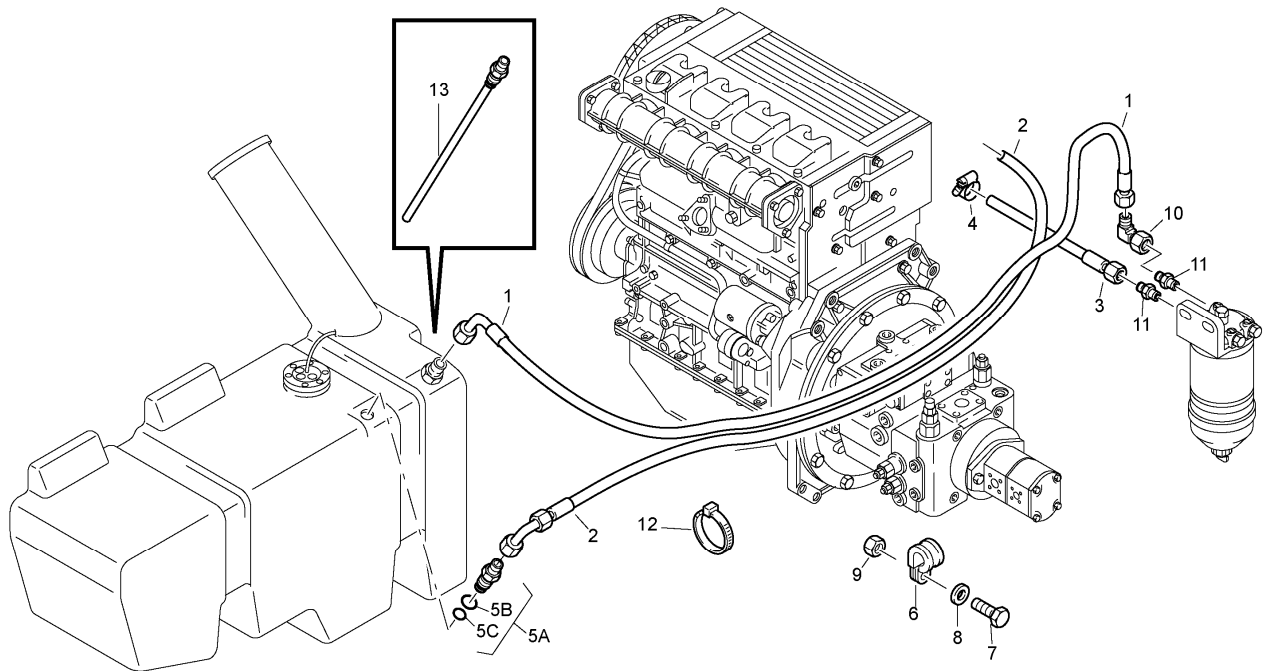
Volvo Construction  
Equipment  
1056256

Section option	Kit	Option description
VOE11390019		Wheel loader L25F
VOE11390020		Wheel loader L25F-Z

Pos	Part	Q1	Q2	Q3	Q4	Q5	PS	Kit	Description	Option(s)	Remark
1	VOE11305412	2							Retainer		
2	VOE983245	4							Hexagon screw		M8X40
3	VOE11117464	4							Washer		(VOE13960141) 8,4X22X2
4	VOE15203204	1							Damper mat		
5	ZM2809866	1							Cable tie		
6	VOE11308611	1							Fuel reservoir		
7	VOE11370262	1							•Filler cap		
8	VOE11370263	1							•Fuel Strainer		
9	ZM7099428	1							•Screw plug		M18X1,5
10	ZM1086268	1							•O-ring		16X3

11	VOE15209075	1					SS		Level sensor		S/N 1755001- S/N 1755007
11	VOE15214353	1							Fuel Level Sens		S/N 1755007-
12	ZM2906069	1							•Gasket		
13	VOE11305438	6							Screw		M4X12
13	VOE969791	6							Six point socket screw		

Date: <b>2013/11/5</b>	Image id: <b>1055727</b>	Catalogue: <b>20577</b>	Model: <b>L25F</b>
Brand: <b>Volvo</b>	Serial: <b>1755001-</b>	Group/Section: <b>235/100</b>	Title: <b>Fuel pipes 11390019 , 11390020</b>



Volvo Construction  
Equipment  
1055727

Section option	Kit	Option description
VOE11390019		Wheel loader L25F
VOE11390020		Wheel loader L25F-Z

Pos	Part	Q1	Q2	Q3	Q4	Q5	PS	Kit	Description	Option(s)	Remark
1	VOE11305405	1							Fuel hose		
2	VOE11305406	1							Fuel hose		
3	ZM2811483	1							Fuel hose		
4	VOE943470	1							Hose clamp		
5A	VOE11306079	1							Nipple		
5B	VOE11370540	1							•O-ring		22x5,5
5C	VOE11370541	1							•O-ring		14x5
6	VOE952634	1							Clamp		
7	VOE13948356	1							Flange screw		
8	VOE960139	1							Washer		
9	VOE983302	1							Hexagon nut		

10	VOE13945357	1							Elbow nipple		
11	VOE11306928	2							Stud		
12	VOE4881440	1							Cable tie		
13	VOE11308933	1							Suction pipe		

Thank you so much for reading.  
Please click the “Buy Now!”  
button below to download the  
complete manual.



After you pay.

You can download the most  
perfect and complete manual in  
the world immediately.

Our support email:

[ebooklibonline@outlook.com](mailto:ebooklibonline@outlook.com)