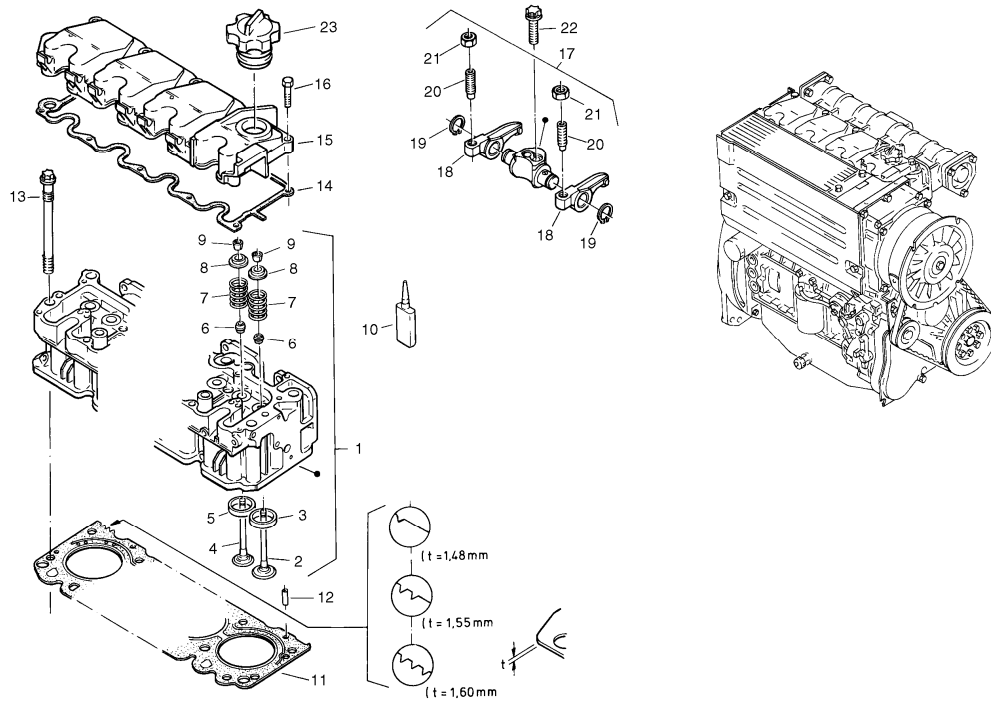


Date: <b>2013/11/15</b>	Image id: <b>00000091</b>	Catalogue: <b>07501</b>	Model: <b>L32</b>
Brand: <b>Volvo</b>	Serial: <b>1840001-1840187</b>	Group/Section: <b>211/100</b>	Title: <b>Cylinder head, timing gears</b>



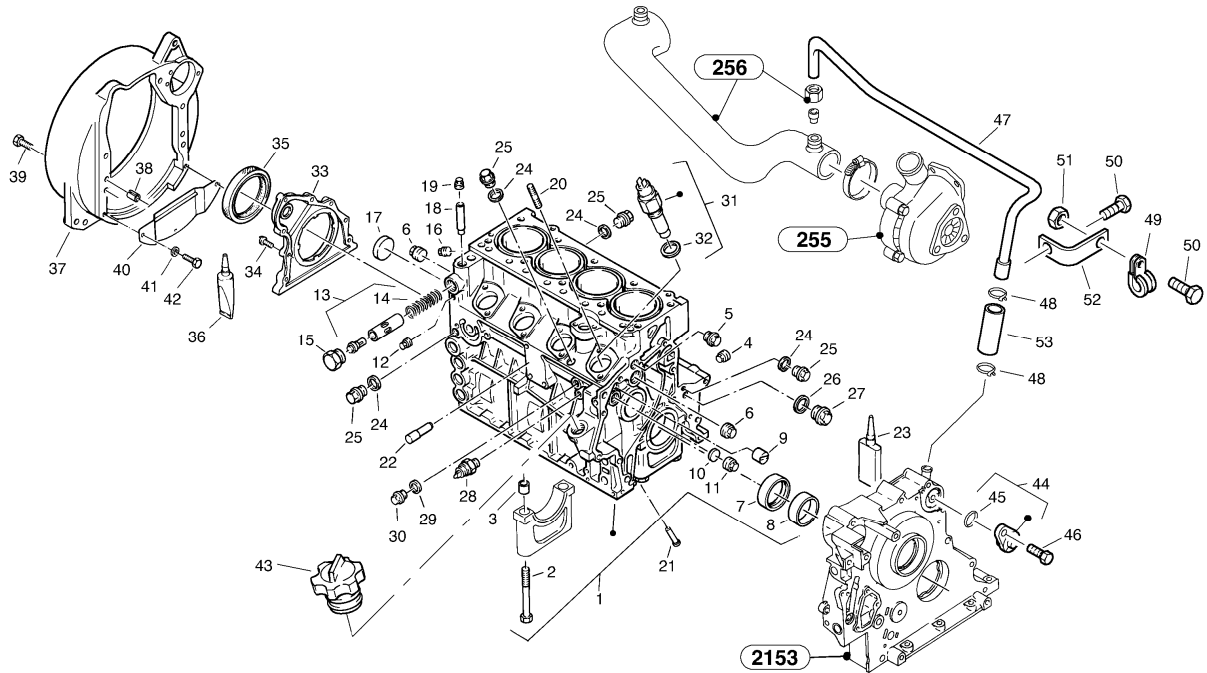
00000091

Q1-Q5	Option	Option description	
Q1 1840001			

Pos	Part	Q1	Q2	Q3	Q4	Q5	PS	Kit	Description	Option(s)	Remark
1	ZM2904181	1							Cylinder head		
2	ZM2904183	4							••Inlet valve		
3	ZM2904089	4					SS		••Valve seat ring		
3	ZM2290534	REQ							••Valve seat ring		42,87 mm
4	ZM2904090	4							••Exhaust Valve		
5	ZM2904182	4							••Valve Seat Ring		
5	ZM2290500	REQ							••Valve seat ring		37,27 mm
6	VOE20459855	8							••Valve seal		(ZM2904368)
7	ZM2904091	8							••Pressure spring		
8	ZM2290505	8							••Spring Disc		
9	VOE20459857	16							••Valve sleeve		(ZM2290506)
10	ZM2903912	REQ					OP		Locking agent		
11	ZM2904094	1							Cylinder head gasket		1,48 mm
11	ZM2905354	REQ							Cylinder head gasket		1,55 mm
11	ZM2905355	REQ							Cylinder head		1,60 mm



Date: <b>2013/11/15</b>	Image id: <b>00000084</b>	Catalogue: <b>07501</b>	Model: <b>L32</b>
Brand: <b>Volvo</b>	Serial: <b>1840001-1840187</b>	Group/Section: <b>212/100</b>	Title: <b>Engine casing, Ventilation</b>



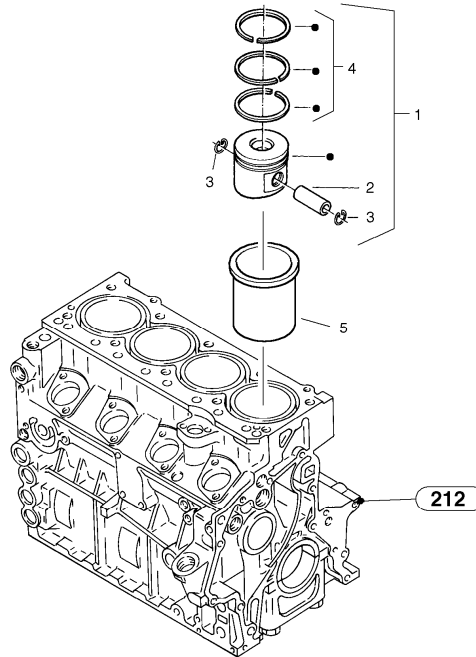
00000084

Q1-Q5	Option	Option description	
Q1 1840001			

Pos	Part	Q1	Q2	Q3	Q4	Q5	PS	Kit	Description	Option(s)	Remark
1	ZM2904194	1							Crankcase, cpl.		
2	ZM2290540	10							••Hexagon screw		
3	ZM4010300	10							••Bushing		
4	VOE20860215	1							••Screw		(ZM2905340)
5	ZM2904050	1							••Screw plug		
6	VOE20405717	2							••Plug		(ZM2905341)
7	ZM2904048	2							••Bearing bush		
8	VOE20795762	3							••Bearing Bushing		
9	VOE15053296	2							••Guide sleeve		(ZM2290541)
10	ZM8092104	1							••Hood		16
11	ZM2905346	1							••Screw plug		
12	ZM2905343	1							••Screw plug		
13	ZM2904169	1							••Thermostat		
14	ZM2904053	1							•••Pressure spring		
15	ZM2905345	1							••Screw plug		
16	VOE20405718	1							••Plug		(ZM2905342)
17	VOE20882154	1							••Plug		(ZM7092106)28

18	ZM2904051	1							••Tube		
19	ZM2905344	1							••Screw plug		
20	ZM8097406	8							••Pin screw		
21	ZM2904056	8							Piston cooling jet		
22	ZM2904057	1							Pin		
23	ZM2904058	REQ							Locking agent		
24	VOE11700631	4							Sealing ring		(ZM7099530)A10x16
25	ZM8099416	4							Screw plug		M10x1
26	VOE13947624	1							Plane gasket		(ZM7099511)A18x24
27	VOE20405506	1							Plug		(ZM8099415)M18x1,5
28	ZM2905379	1							Oil pressure switch		
29	VOE13947624	1							Plane gasket		(ZM7099511)A18x24
30	VOE11305512	1							Lock plug		(ZM7099401)AM18x1,5
31	ZM2904059	1							Temperature transmitter		
32	ZM7099503	1					SS		••Seal		A14x18
33	ZM2292219	1							Cover rear		
34	ZM2290455	8							Screw		
35	ZM2292220	1							Radial seal		
36	ZM4084070	REQ							Sealant		
37	ZM2905335	1							Intermediate housing		
38	ZM2290547	2							Bushing		
39	VOE11306530	4							Hexagon screw		(ZM8096638)M12x35
40	ZM2290561	1							Cover plate		
41	VOE955892	3							Washer		(ZM7098752)B6,4
42	ZM7095067	3					SS		Screw		M6x10
43	ZM2904064	1							Filler cap		
44	ZM2904065	1							Valve		
45	ZM2904066	1							••O-ring		
46	ZM7095068	1							Screw		M6x25
47	ZM2904170	1							Air vent pipe		
48	ZM2904172	1							Hose Clamp		
49	ZM2290447	2							Clamp		
50	ZM2292234	2							Screw		
51	ZM7098010	1							Nut		M8
52	ZM2905349	1							Retainer		
52	ZM2905349	1							Retainer		
53	ZM2905348	1							Hose		

Date: <b>2013/11/15</b>	Image id: <b>00000088</b>	Catalogue: <b>07501</b>	Model: <b>L32</b>
Brand: <b>Volvo</b>	Serial: <b>1840001-1840187</b>	Group/Section: <b>213/100</b>	Title: <b>Cylinder bush and piston</b>

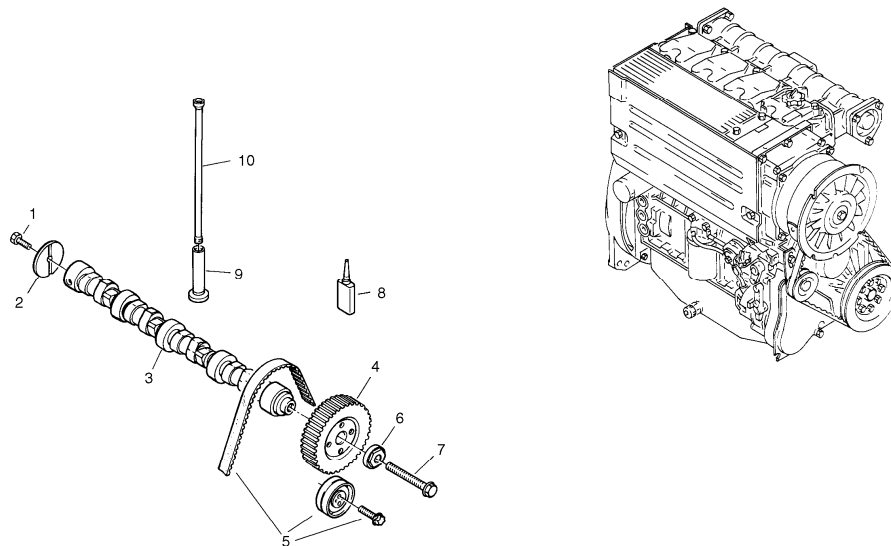


00000088

Q1-Q5	Option	Option description	
Q1 1840001			

Pos	Part	Q1	Q2	Q3	Q4	Q5	PS	Kit	Description	Option(s)	Remark
1	ZM2905352	4							Piston, cpl.		
2	VOE11715530	1							••Bolt		(ZM2290442)
3	VOE11715531	2							••Retaining ring		(ZM2290443)C30x2,0
4	ZM2905353	1							••Piston Ring Kit		
5	ZM2905347	REQ							Cylinder liner		

Date: <b>2013/11/15</b>	Image id: <b>00000079</b>	Catalogue: <b>07501</b>	Model: <b>L32</b>
Brand: <b>Volvo</b>	Serial: <b>1840001-1840187</b>	Group/Section: <b>215/100</b>	Title: <b>Camshaft</b>

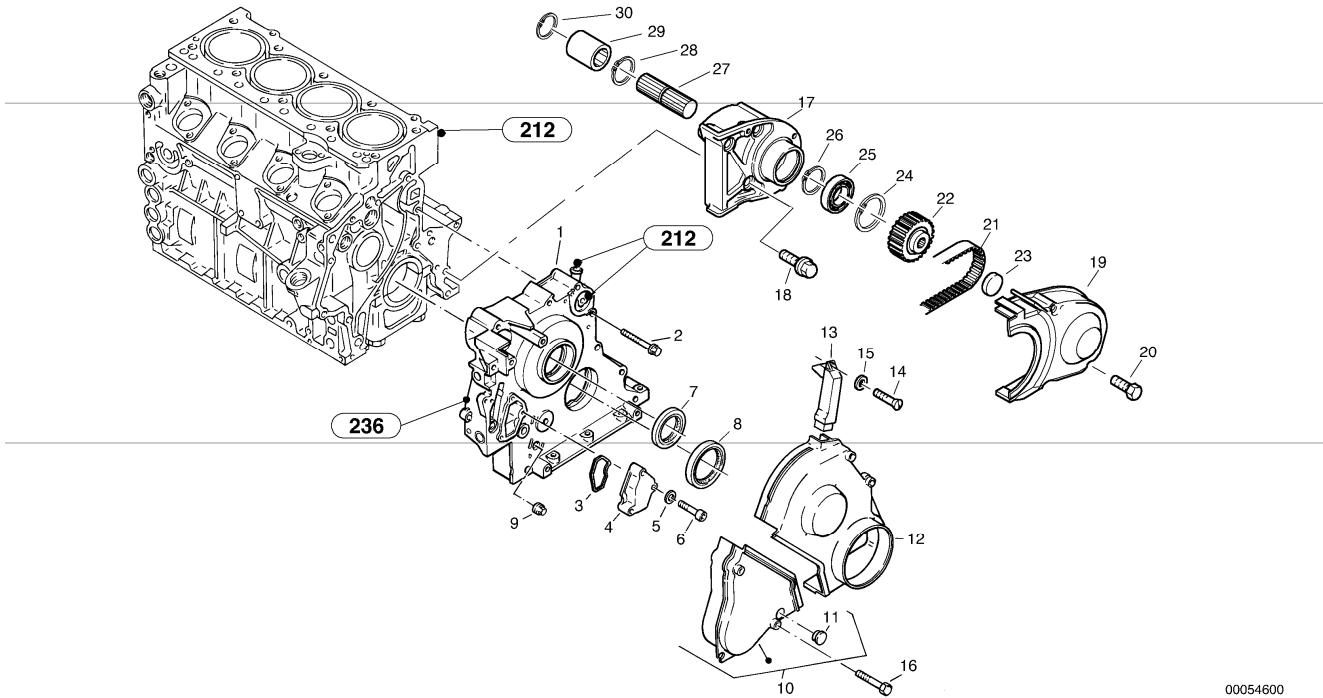


00000079

Q1-Q5	Option	Option description	
Q1 1840001			

Pos	Part	Q1	Q2	Q3	Q4	Q5	PS	Kit	Description	Option(s)	Remark
1	ZM8095503	1							Screw		M8x35
2	ZM2290517	1							Spacer disc		
3	ZM2905357	1							Camshaft		
4	ZM2290519	1							Toothed belt wheel		
5	ZM2904890	1							Repair kit (toothed belt)		
6	ZM2290522	1							Washer		
7	VOE20797281	1							Hexagon screw		M14x1,5x110
8	ZM2903828	REQ					OP		Locking agent		
9	ZM2904101	2							Valve tappet		
10	ZM2290524	2							Push rod		

Date: <b>2013/11/15</b>	Image id: <b>00054600</b>	Catalogue: <b>07501</b>	Model: <b>L32</b>
Brand: <b>Volvo</b>	Serial: <b>1840001-1840187</b>	Group/Section: <b>2153/100</b>	Title: <b>Timing gear housing (front cover)</b>



Q1-Q5	Option	Option description	
Q1 1840001			

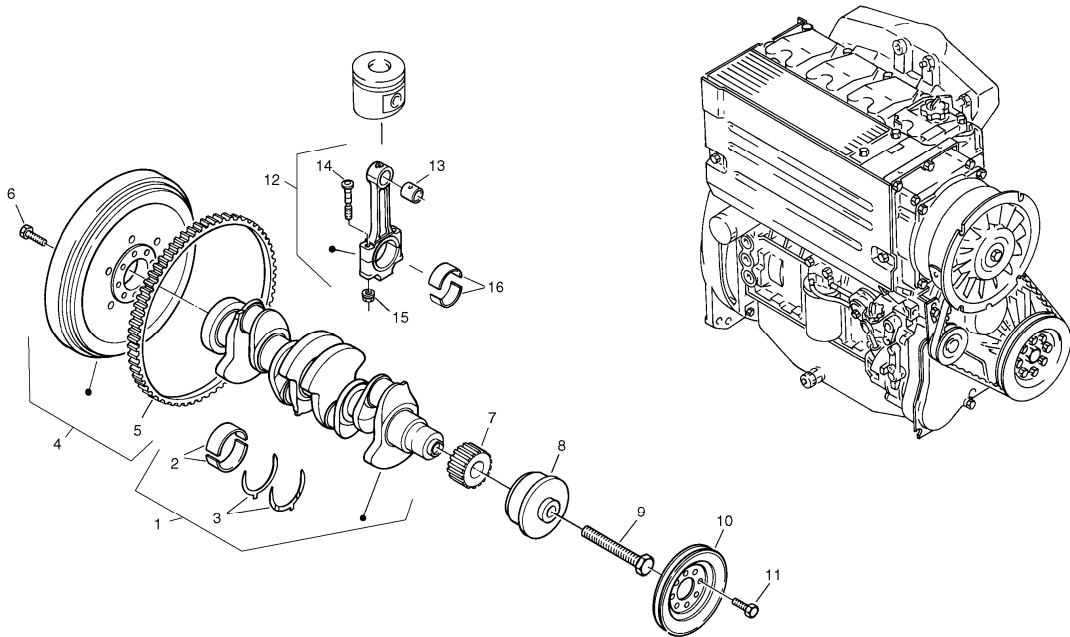
Pos	Part	Q1	Q2	Q3	Q4	Q5	PS	Kit	Description	Option(s)	Remark
1	ZM2904069	1							Front cover		
2	ZM2904100	11					SS		Screw		
3	ZM2904068	1							Profil gasket		
4	ZM2904070	1							Cover		
5	VOE955892	3							Washer		(ZM7098752)B6,4
6	ZM7096552	3							Screw		M6x35
7	ZM2291470	1							Seal		
8	ZM2290458	1							Seal		
9	ZM8096511	1							Screw plug		M14x1,5
10	ZM2905384	1							Protective hood		
10	ZM2290486	1							Protective hood		(ZM2908174)See footnote 1375)
11	ZM2904072	1							••Plug		
12	ZM2290487	1							Protective hood		
12	ZM2905383	1							Protecting casing		(ZM2908175)See footnote 1375)
13	ZM2900130	1					SS		Air duct		

14	ZM2900131	1							Screw		M4x12
15	VOE955891	1							Washer		(ZM7098754)A4,3
16	VOE955282	4							Hexagon screw		(ZM7095114)M6x70
17	ZM2910193	1							Conversion kit		(ZM2906900)See footnote 1375)
18	ZM2906901	3							Screw		See footnote 1375)
19	ZM2906902	1							Protecting casing		See footnote 1375)
20	ZM7095113	2							Screw		See footnote 1375)
21	ZM2905399	1							Toothed belt		See footnote 1375)
22	ZM2905398	1							Pulley		See footnote 1375)
23	ZM2905397	1							Cover		See footnote 1375)
24	ZM7094944	1							Lock Ring		See footnote 1375) 68x2,5
25	ZM2905396	1							Bearing		See footnote 1375)
26	ZM4332271	1							Lock Ring		See footnote 1375)
27	ZM2905395	1					SS		Toothed shaft		(ZM2908176)See footnote 1375)
28	ZM7094951	1							Snap Ring		See footnote 1375) 16x1
29	ZM4076320	1							Plate		See footnote 1375)
30	VOE955970	1							Retaining ring		(ZM7094953)See footnote 1375) 14x1

1375) only by auxiliary pump



Date: <b>2013/11/15</b>	Image id: <b>00000100</b>	Catalogue: <b>07501</b>	Model: <b>L32</b>
Brand: <b>Volvo</b>	Serial: <b>1840001-1840187</b>	Group/Section: <b>216/100</b>	Title: <b>Crankshaft</b>



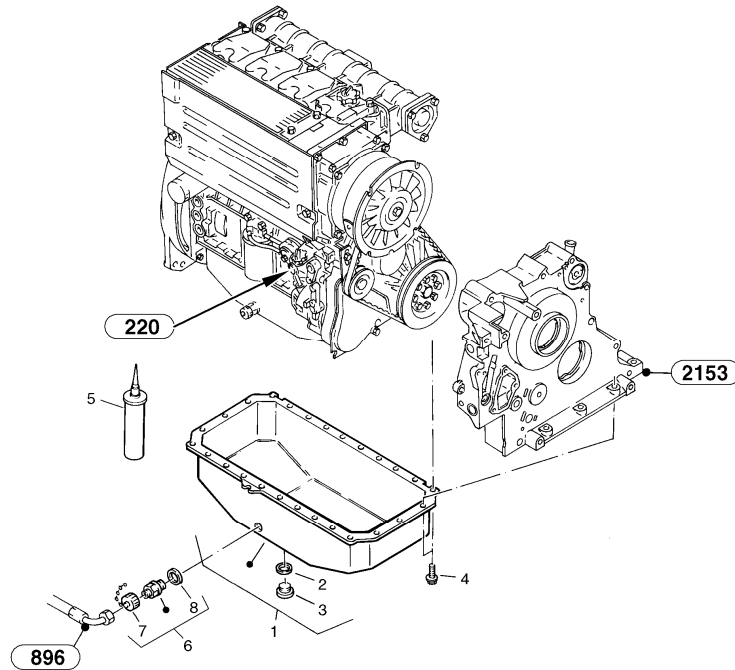
00000100

Q1-Q5	Option	Option description	
Q1 1840001			

Pos	Part	Q1	Q2	Q3	Q4	Q5	PS	Kit	Description	Option(s)	Remark
1	ZM2905351	1							Crankshaft		
2	ZM2290402	REQ							••Crankshaft bearing		69,50 mm
2	ZM2900539	REQ							••Crankshaft bearing		69,75 mm
2	ZM2290400	5							••Crankshaft bearing		70,00 mm
3	VOE20944762	1							••Thrust Washer		2,40 mm
3	VOE20944769	REQ							••Thrust Washer		2,60 mm
4	ZM2904103	1					SS		Fly wheel		
5	ZM2904104	1							••Gear ring		
6	ZM2290407	8							Screw		
7	ZM2290408	1							Toothed belt wheel		
8	ZM2904102	1							Flange		
9	ZM2290411	1							Screw		
10	ZM2905385	1							V-belt pulley		
11	ZM2908482	8							Screw		(ZM2900545)
12	ZM2904174	4							Connecting rod		

13	ZM2290431	1							••Bushing		33,07 - 33,11 mm
13	ZM2900544	REQ							••Bushing		33,32 - 33,36 mm
14	ZM2904106	2							••Screw		
15	ZM2290415	2							••Nut		
16	ZM2900543	REQ							Big end bearing		54,50 mm
16	ZM2900542	REQ							Big end bearing		54,75 mm
16	ZM2290432	4							Big end bearing		55,00 mm

Date: <b>2013/11/15</b>	Image id: <b>00000089</b>	Catalogue: <b>07501</b>	Model: <b>L32</b>
Brand: <b>Volvo</b>	Serial: <b>1840001-1840187</b>	Group/Section: <b>217/100</b>	Title: <b>Oil sump</b>

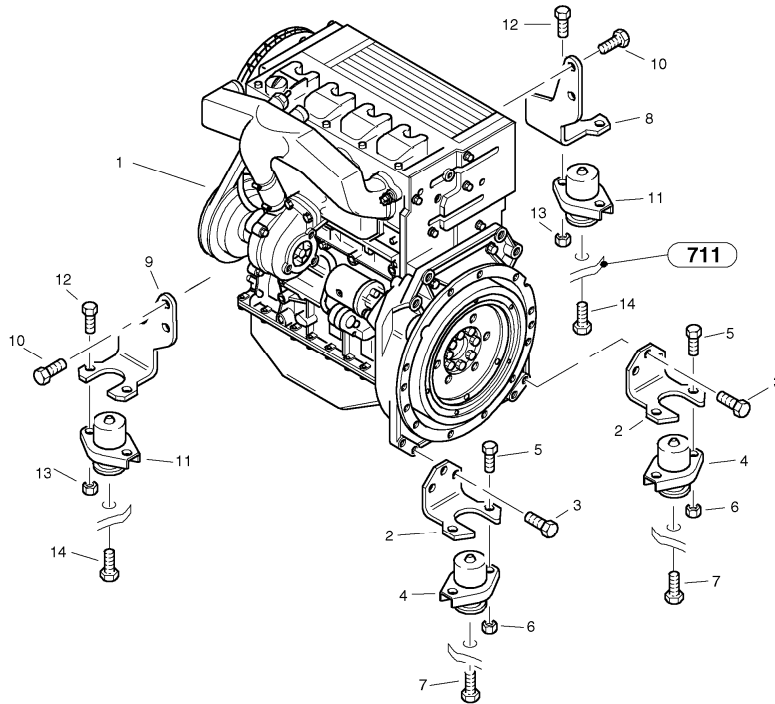


00000089

Q1-Q5	Option	Option description	
Q1 1840001			

Pos	Part	Q1	Q2	Q3	Q4	Q5	PS	Kit	Description	Option(s)	Remark
1	ZM2904060	1							Oil pan		
2	VOE13947624	1							••Plane gasket		(ZM7099511)A18x24
3	ZM7099428	1							••Screw plug		M18x1,5
4	ZM2292234	26							Screw		
5	ZM2903926	REQ							Sealing compound		(ZM2905350)
6	ZM4384256	1							Valve		
7	ZM2285689	1							••Chain with cap		
8	ZM7099518	1							••Seal		C18x24

Date: <b>2013/11/15</b>	Image id: <b>00000085</b>	Catalogue: <b>07501</b>	Model: <b>L32</b>
Brand: <b>Volvo</b>	Serial: <b>1840001-1840187</b>	Group/Section: <b>218/100</b>	Title: <b>Engine assy</b>

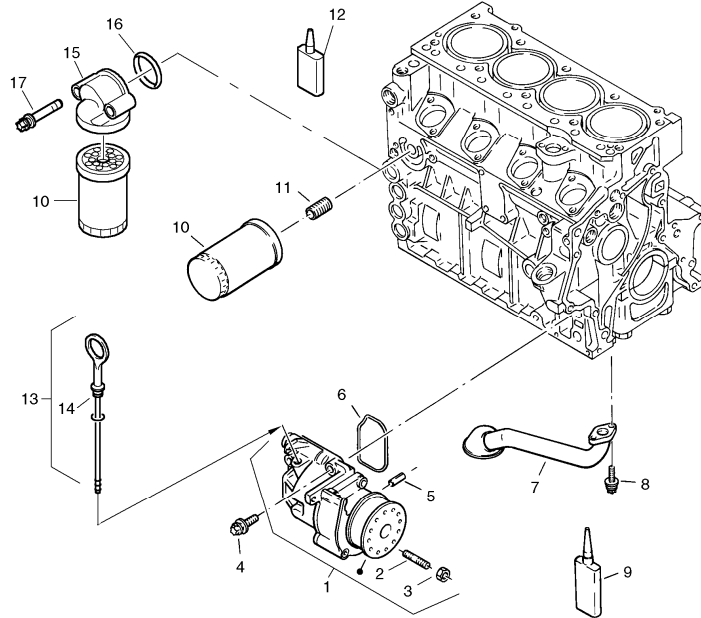


00000085

Q1-Q5	Option	Option description	
Q1 1840001			

Pos	Part	Q1	Q2	Q3	Q4	Q5	PS	Kit	Description	Option(s)	Remark
1	ZM2814029	1							Diesel engine		(ZM2810928)-1840160
1	ZM2814029	1							Diesel engine		(ZM2814009)1840161-
2	ZM2807295	2							Retainer		
3	ZM4326456	2					SS		Screw		M14x30
4	VOE11306533	2							Buffer		(ZM4381063)
5	VOE983252	4							Hexagon screw		(ZM8095900)
6	VOE983304	4							Hexagon nut		(ZM8098001)M10
7	VOE978932	2							Hexagon screw		(ZM8096639)M12x30
8	ZM2810650	1							Retainer		
9	ZM2810649	1							Retainer		
10	ZM4326456	4					SS		Screw		M14x30
11	VOE11306533	2							Buffer		(ZM4381063)
12	VOE983252	4							Hexagon screw		(ZM8095900)
13	VOE983304	4							Hexagon nut		(ZM8098001)M10
14	VOE978932	2							Hexagon screw		(ZM8096639)M12x30

Date: <b>2013/11/15</b>	Image id: <b>00005801</b>	Catalogue: <b>07501</b>	Model: <b>L32</b>
Brand: <b>Volvo</b>	Serial: <b>1840001-1840187</b>	Group/Section: <b>220/100</b>	Title: <b>Oil pump, oil filter</b>

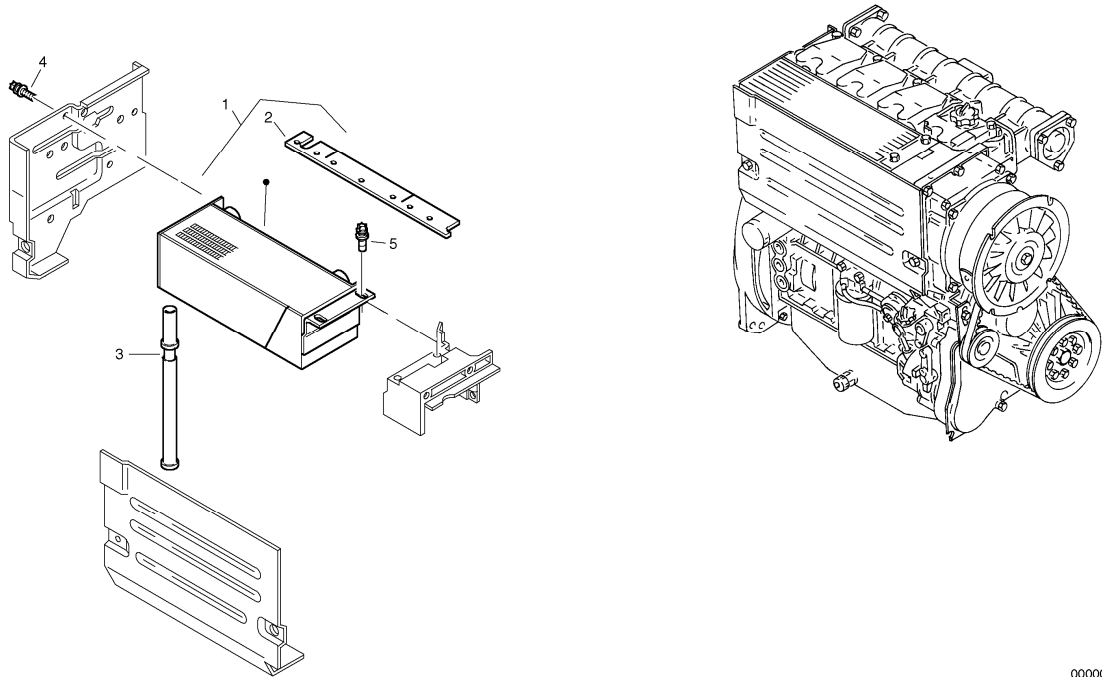


00005801

Q1-Q5	Option	Option description	
Q1 1840001			

Pos	Part	Q1	Q2	Q3	Q4	Q5	PS	Kit	Description	Option(s)	Remark
1	VOE11715526	1							Oil pump		(ZM2904116)
2	ZM2290460	1					SS		•••Bearing spindle		M6x40
3	ZM7098000	1							••Nut		M6
4	ZM2904117	4							Screw		
5	ZM2904118	2							Clamping pin		
6	ZM2904119	1							Gasket		
7	VOE11715751	1							Oil pipe		(ZM2904124)
8	ZM2904040	2					SS		Screw		
9	ZM2903828	REQ					OP		Locking agent		
10	ZM2904941	1							Oil filter		
11	ZM2290250	1							Bushing		-1840160
12	VOE20464471	REQ							Locking fluid		(ZM2903718)
13	ZM2905170	1							Oil dipstick		
14	ZM2905171	1							••O-ring		
15	ZM2907622	1							Bracket		1840161-
16	ZM2907372	1							O-ring		1840161-
17	ZM2291482	2							Screw		1840161-

Date: <b>2013/11/15</b>	Image id: <b>0000059</b>	Catalogue: <b>07501</b>	Model: <b>L32</b>
Brand: <b>Volvo</b>	Serial: <b>1840001-1840187</b>	Group/Section: <b>223/100</b>	Title: <b>Engine - oil cooler</b>

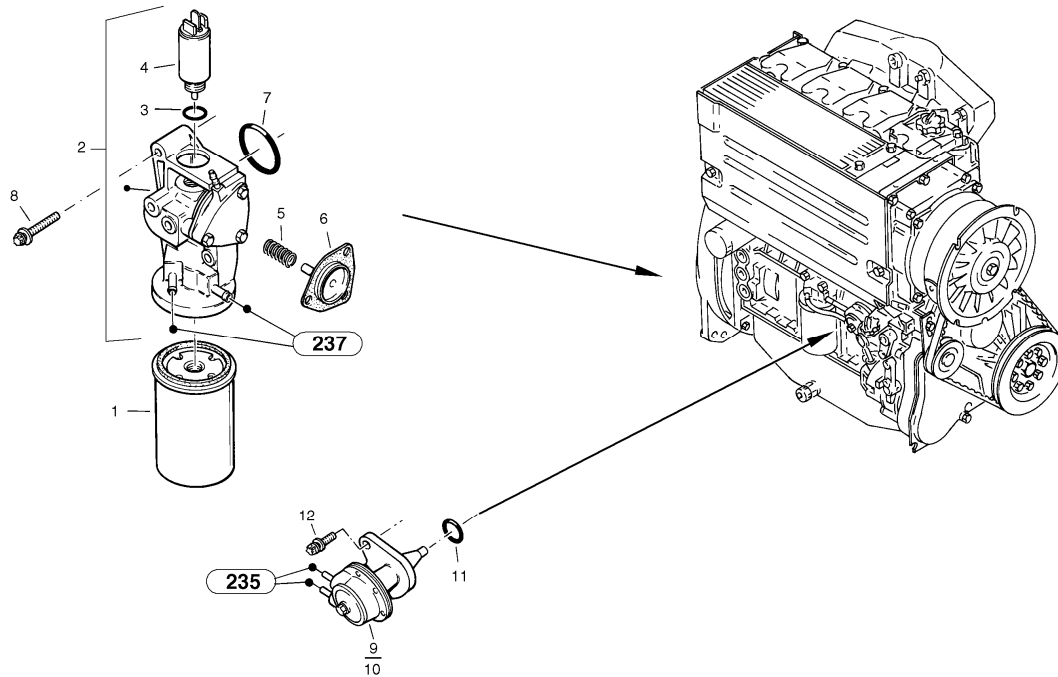


0000059

Q1-Q5	Option	Option description	
Q1 1840001			

Pos	Part	Q1	Q2	Q3	Q4	Q5	PS	Kit	Description	Option(s)	Remark
1	ZM2905358	1					SS		Oil cooler		
2	ZM2905359	1							••Sealing strip		
3	ZM2904123	2							Insert pipe		
4	ZM2904121	2							Screw		
5	ZM2901217	2							Screw		(ZM2904122)

Date: <b>2013/11/15</b>	Image id: <b>00000106</b>	Catalogue: <b>07501</b>	Model: <b>L32</b>
Brand: <b>Volvo</b>	Serial: <b>1840001-1840187</b>	Group/Section: <b>233/100</b>	Title: <b>Fuel filter - Feed pump</b>

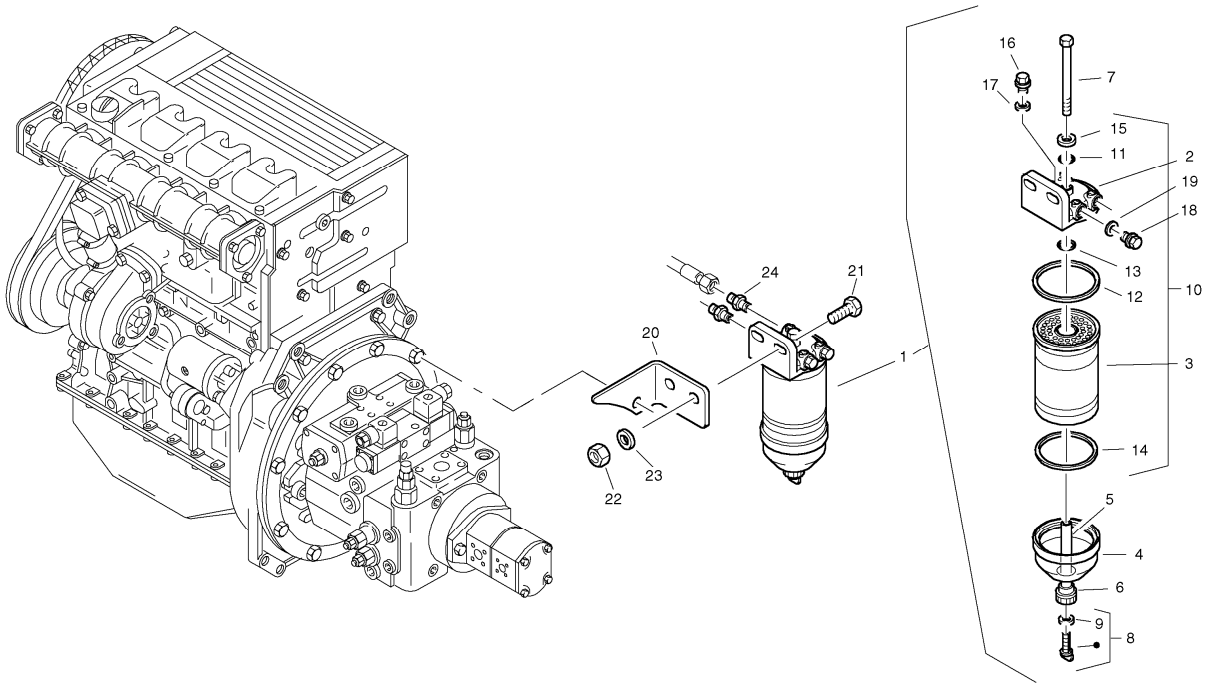


00000106

Q1-Q5	Option	Option description	
Q1 1840001			

Pos	Part	Q1	Q2	Q3	Q4	Q5	PS	Kit	Description	Option(s)	Remark
1	ZM2905303	1							Filter		
2	ZM2905387	1							Fuel load stop		
3	ZM2904200	1							••O-ring		
4	VOE15185105	1							••Solenoid		(ZM2905388)
5	ZM2904199	1							••Thrust Spring		
6	ZM2904198	1					OP		••Diaphragm holder		(ZM2905389)
7	ZM2904201	1							O-ring		
8	ZM2291482	3							Screw		
9	ZM2904380	1							Feed pump		
10	ZM2904381	1							Repair kit		
11	ZM2290370	1							O-ring		
12	ZM2904137	2							Screw		

Date: <b>2013/11/15</b>	Image id: <b>00000041</b>	Catalogue: <b>07501</b>	Model: <b>L32</b>
Brand: <b>Volvo</b>	Serial: <b>1840001-1840187</b>	Group/Section: <b>23341/100</b>	Title: <b>Filter - Water separator</b>



00000041

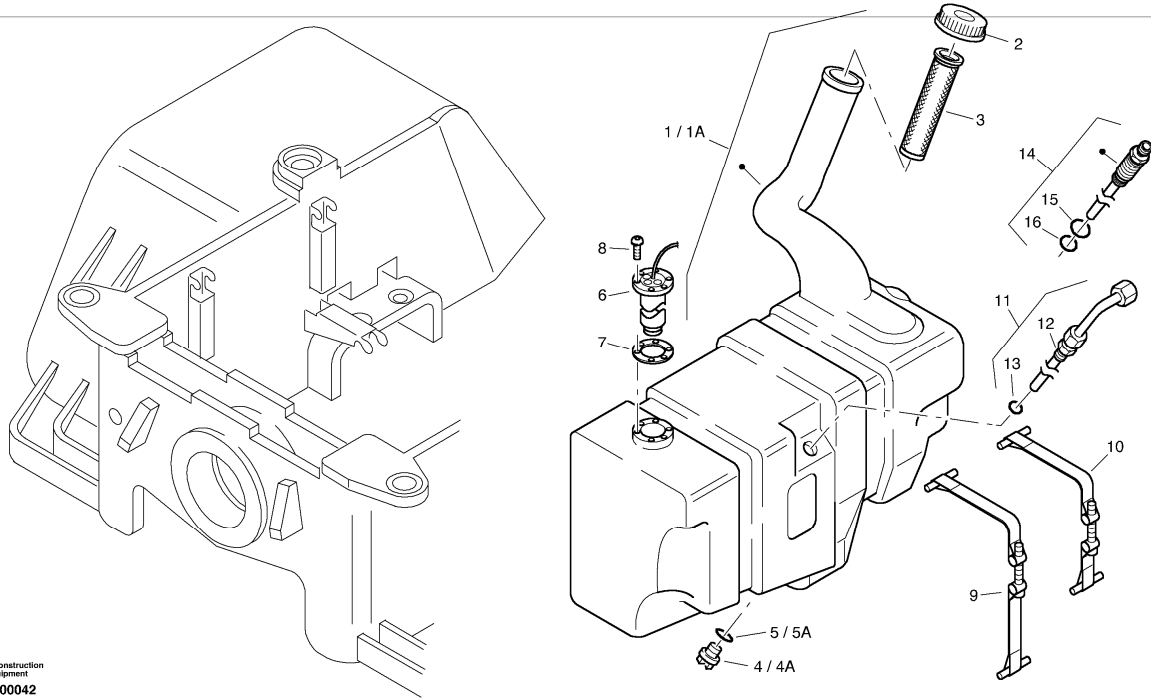
Q1-Q5	Option	Option description	
Q1 1840001			

Pos	Part	Q1	Q2	Q3	Q4	Q5	PS	Kit	Description	Option(s)	Remark
1	ZM2807872	1							Fuel filter		
2	ZM2905307	1					SS		•••Filter head		
3	ZM2905298	1							•••Filter cartridge		
4	ZM2905299	1							•••Sight glass		
5	ZM2905300	1							•••Knurled head screw		
6	VOE7242081	1							•••Washer		(ZM2905301)
7	ZM2905302	1							•••Screw		
8	VOE242595	1							•••Plug		(ZM2905304)
9	VOE7242081	1							•••Washer		(ZM2905305)
10	ZM2905306	1							•••Gasket set, cpl.		
11	ZM2905308	1							•••O-ring		
12	ZM2905309	1							•••Gasket		
13	ZM2905310	1							•••O-ring		
14	ZM2905311	1							•••Gasket		
15	ZM2905312	1							•••Washer		
16	ZM2905313	1							•••Screw		



17	ZM2164940	1							•••Seal		A10x14
18	ZM7099404	2							•••Lock Plug		AM14x1,5
19	ZM2905314	2							•••Seal		
20	ZM2811729	1					SS		Holder		
21	VOE983251	2							Hexagon screw		(ZM7094813)M10x25
22	VOE983304	2							Hexagon nut		(ZM8098001)M10
23	VOE960148	2							Washer		(ZM7098741)B10,5
24	ZM7091974	2					SS		Nipple		L10MB

Date: <b>2013/11/15</b>	Image id: <b>00000042</b>	Catalogue: <b>07501</b>	Model: <b>L32</b>
Brand: <b>Volvo</b>	Serial: <b>1840001-1840187</b>	Group/Section: <b>234/100</b>	Title: <b>Fuel tank</b>



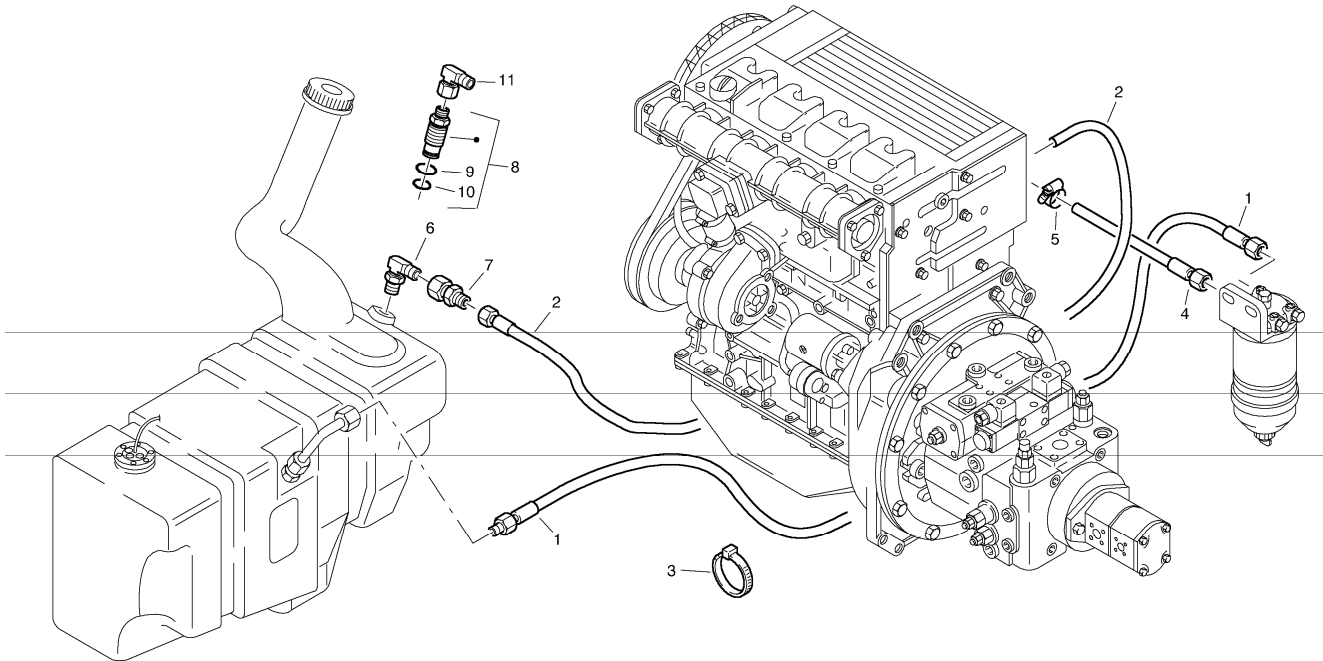
Volvo Construction  
Equipment  
00000042

Q1-Q5	Option	Option description	
Q1 1840001			

Pos	Part	Q1	Q2	Q3	Q4	Q5	PS	Kit	Description	Option(s)	Remark
1	VOE11370525	1							Conversion kit		-1842377
1A	VOE11306084	1							Fuel reservoir		1842378-
2	ZM2804113	1							•Filler cap		
3	ZM2804112	1							•Fuel strainer		
4	ZM2807633	1							•Plug		-1840134
4A	ZM7099428	1							•Screw plug		M18x1,5, 1840135-
5	ZM4380412	1							•O-ring		17x2,5, -1840134
5A	ZM1086268	1							•O-ring		16x3, 1840135-
6	ZM2805649	1							Fuel level sensor		
7	ZM2906069	1							•Gasket		
8	VOE11305438	6							Screw		(ZM7096666)M4x12
9	ZM2811413	1							Clamp		
10	ZM2811414	1							Clamp		
11	VOE15622108	1							Suction pipe		(ZM2811730)
12	ZM2811249	1							Pipe end		
13	ZM2906070	1							•O-ring		13,4x2,1
14	VOE11306081	1							Suction pipe		1842378-

15	VOE11370540	1							•O-ring		22x5,5, 1842378-
16	VOE11370541	1							•O-ring		14x5, 1842378-

Date: <b>2013/11/15</b>	Image id: <b>00000043</b>	Catalogue: <b>07501</b>	Model: <b>L32</b>
Brand: <b>Volvo</b>	Serial: <b>1840001-1840187</b>	Group/Section: <b>235/100</b>	Title: <b>Fuel pipes</b>

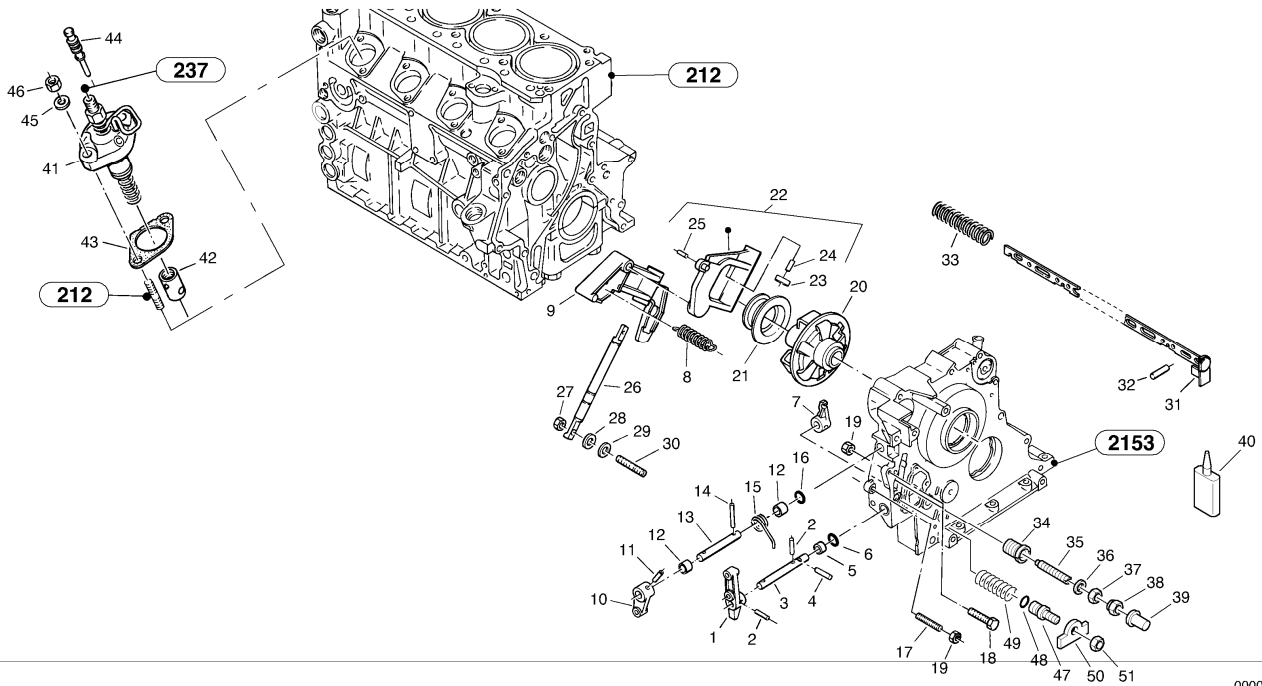


Volvo Construction  
Equipment  
00000043

Q1-Q5	Option	Option description	
Q1 1840001			

Pos	Part	Q1	Q2	Q3	Q4	Q5	PS	Kit	Description	Option(s)	Remark
1	ZM2811482	1							Fuel hose		
2	ZM2811484	1							Fuel hose		
3	ZM2193590	2							Cable clip		
4	ZM2811483	1							Fuel hose		
5	ZM2060781	1							Clip		12x9
6	ZM2800658	1							Fitting		-1842377
7	VOE11307078	1							Fitting		(ZM7091432)-1842377
8	VOE11306079	1							Fitting		1842378-
9	VOE11370540	1							•O-ring		22x5,5
10	VOE11370541	1							•O-ring		14x5
11	VOE13945357	1							Elbow nipple		1842378-

Date: <b>2013/11/15</b>	Image id: <b>0000080</b>	Catalogue: <b>07501</b>	Model: <b>L32</b>
Brand: <b>Volvo</b>	Serial: <b>1840001-1840187</b>	Group/Section: <b>236/100</b>	Title: <b>Speed adjustment - Fuel injection pump</b>



0000080

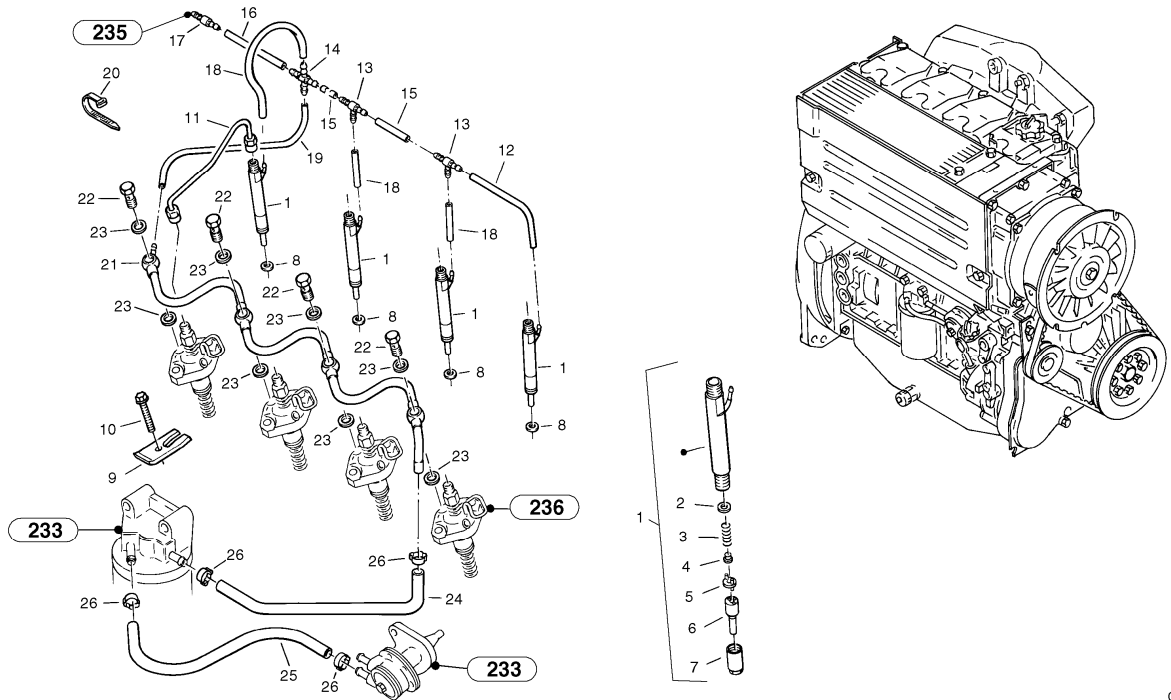
Q1-Q5	Option	Option description	
Q1 1840001			

Pos	Part	Q1	Q2	Q3	Q4	Q5	PS	Kit	Description	Option(s)	Remark
1	ZM2904077	1							Lever		
2	ZM7099461	2							Clamping pin		5x20
3	ZM2291460	1							Regulator lever shaft		
4	ZM2292257	1							Bolt		
5	ZM2292251	1							Sleeve		
6	ZM2291459	1							O-ring		(ZM2904075)
7	ZM2900507	1							Lever		
8	VOE11715758	1					SS		Tension spring		(ZM2905368)
9	VOE11370648	1							Hand lever		(ZM2904078)
10	ZM2290482	1							Stop lever		
11	ZM7099461	1							Clamping pin		5x20
12	ZM2292251	2							Sleeve		
13	ZM2292255	1							Lever shaft		
14	ZM2291481	1							Pin		5x45
15	ZM2291464	1							Torsion spring		
16	ZM2291459	1							O-ring		(ZM2904075)

17	VOE15051912	1							Set screw		(ZM2291466)M6x50
18	ZM7095068	1							Screw		M6x25
19	ZM7098000	2							Nut		M6
20	VOE11370251	1							Centrifugal governor		(ZM2904074)
21	ZM2904079	1							Sleeve		
22	ZM2904076	1					SS		Roller lever		
23	ZM2904081	2							••Ball bearing		608-2Z
24	VOE11715759	2							••Bolt		(ZM2904082)A8K6x20
25	ZM2904083	1							••Pin		A4x8
26	ZM2904080	1							Axle		
27	ZM7098000	2							Nut		M6
28	ZM2291467	2							Washer		
29	ZM2291465	2							Washer		
30	VOE11370223	2							Stud		(ZM2291463)M6x12
31	ZM2904084	1							Control rod		
32	ZM2904085	1							Fixed pin		
33	ZM2290471	1							Pressure spring		
34	VOE955970	1							Retaining ring		(ZM7094953)14x1
35	ZM2906905	1							Stop		
36	ZM2291475	1							Pressure spring		
37	ZM2291476	1					SS		Adjusting screw		
38	ZM2291479	1							O-ring		
39	ZM2291480	1							O-ring		
40	ZM2906904	1							Adjusting screw		
41	VOE11700373	1							Nut		(ZM2290528)
42	ZM2904086	1							Seal		
43	VOE955780	1							Hexagon nut		(ZM7098004)M5
44	ZM2906906	1							Screwed pin		
45	ZM2176900	1					OP		Stud		
46	ZM2291472	1							Claw		
47	ZM7098392	1							Nut		M6
48	VOE20464471	REQ							Locking fluid		(ZM2903718)
49	ZM2904379	4							Injection Pump		
50	ZM2901356	4							Roller tappet		
51	ZM2904128	4							Balancer gasket		0,4 mm
51	ZM2904129	REQ							Balancer gasket		0,5 mm
51	ZM2904130	REQ							Balancer gasket		0,6 mm
51	ZM2904131	REQ							Balancer gasket		0,7 mm
51	ZM2904132	REQ							Balancer gasket		0,8 mm
51	ZM2904133	REQ							Balancer gasket		0,9 mm
51	ZM2904134	REQ							Balancer gasket		1,0 mm
52	ZM2904135	4							Plug		
53	VOE20405802	8							Washer		(ZM4072470)
54	ZM7098010	8							Nut		M8
55	ZM2905364	1					SS		Case		
56	ZM2905365	1							O-ring		



Date: <b>2013/11/15</b>	Image id: <b>00000095</b>	Catalogue: <b>07501</b>	Model: <b>L32</b>
Brand: <b>Volvo</b>	Serial: <b>1840001-1840187</b>	Group/Section: <b>237/100</b>	Title: <b>Injection pipes, Injection valve</b>



00000095

Q1-Q5	Option	Option description	
Q1 1840001			

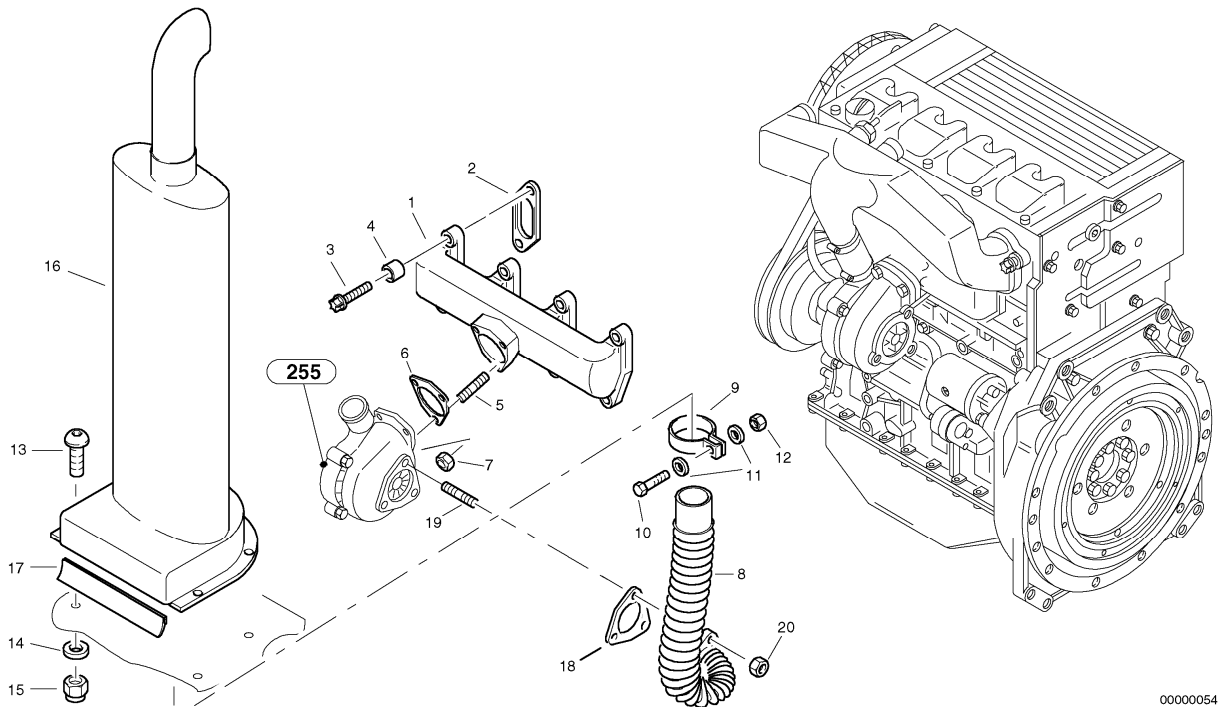
Pos	Part	Q1	Q2	Q3	Q4	Q5	PS	Kit	Description	Option(s)	Remark
1	ZM2904138	4							Injection valve		
2	VOE11705716	1							••Shim		(ZM2901179)1,00 mm
2	ZM2901180	REQ							••Spacer		1,04 mm
2	VOE11705718	REQ							••Shim		(ZM2901181)1,08 mm
2	ZM2901182	REQ							••Spacer		1,10 mm
2	ZM2901183	REQ							••Spacer		1,14 mm
2	ZM2901184	REQ							••Spacer		1,18 mm
2	VOE11705722	REQ							••Shim		(ZM2901185)1,20 mm
2	ZM2904144	REQ							••Spacer		1,22 mm
2	ZM2901186	REQ							••Spacer		1,24 mm
2	ZM2901187	REQ							••Spacer		1,28 mm
2	ZM2901188	REQ							••Spacer		1,30 mm
2	VOE11705726	REQ							••Shim		(ZM2901189)1,34 mm
2	ZM2901190	REQ							••Spacer		1,38 mm
2	ZM2901191	REQ							••Spacer		1,40 mm
2	ZM2901192	REQ							••Spacer		1,44 mm
2	ZM2901193	REQ							••Spacer		1,48 mm



2	ZM2901194	REQ						••Spacer		1,50 mm
2	ZM2901195	REQ						••Spacer		1,54 mm
2	ZM2901196	REQ						••Spacer		1,58 mm
2	ZM2901197	REQ						••Spacer		1,60 mm
2	ZM2901198	REQ						••Spacer		1,64 mm
2	ZM2901199	REQ						••Spacer		1,68 mm
2	VOE11705737	REQ						••Shim		(ZM2901200)1,70 mm
2	ZM2901201	REQ						••Spacer		1,74 mm
2	ZM2901202	REQ						••Spacer		1,78 mm
2	ZM2901203	REQ						••Spacer		1,80 mm
2	VOE11705741	REQ						••Shim		(ZM2901204)1,84 mm
2	ZM2901205	REQ						••Spacer		1,88 mm
2	VOE11705743	REQ						••Shim		(ZM2901206)1,90 mm
2	ZM2901207	REQ						••Spacer		1,94 mm
2	VOE11700462	REQ						••Shim		(ZM2901208)1,98 mm
3	ZM2904141	1						••Pressure spring		
4	VOE20405525	1						••Bolt		
5	VOE11700430	1						••Washer		(ZM2904142)
6	ZM2904140	1						••Nozzle element		
7	ZM2904143	1						••Clamping nut		
8	VOE11700426	4						Sealing ring		(ZM2290392)
9	ZM2904139	4						Stabilisor		
10	ZM2901217	4						Screw		(ZM2904122)
11	ZM2904751	4						Injection pipes		
12	ZM2908047	1						Leak-off line		(ZM2905337)See footnote 1365)
13	VOE20775904	2						Fitting		See footnote 1365)
14	ZM2908047	1						Leak-off line		(ZM2906314)See footnote 1365)
15	ZM2908047	2						Leak-off line		(ZM2900414)See footnote 1365)
16	ZM2290386	1					SS	Hose		See footnote 1365)
17	ZM2290388	1						Connecting piece		See footnote 1365)
18	ZM2905361	3					SS	Hose		See footnote 1365)
19	ZM2901215	1						Hose		See footnote 1365)
20	ZM2905336	1						Holder ribbon		
21	ZM2904146	1						Fuel pipe		
22	ZM2290272	4					SS	Hollow screw		8
23	ZM5138008	8						Seal		(ZM7099528)A12x18
24	ZM2908264	1						Rubber hose		(ZM2904148)
25	ZM2908264	1						Rubber hose		(ZM2290398)
26	VOE20914426	4						Hose Clamp		(ZM2904147)

1365) only 2908047 cpl. deliverable

Date: <b>2013/11/15</b>	Image id: <b>0000054</b>	Catalogue: <b>07501</b>	Model: <b>L32</b>
Brand: <b>Volvo</b>	Serial: <b>1840001-1840187</b>	Group/Section: <b>252/100</b>	Title: <b>Exhaust system</b>



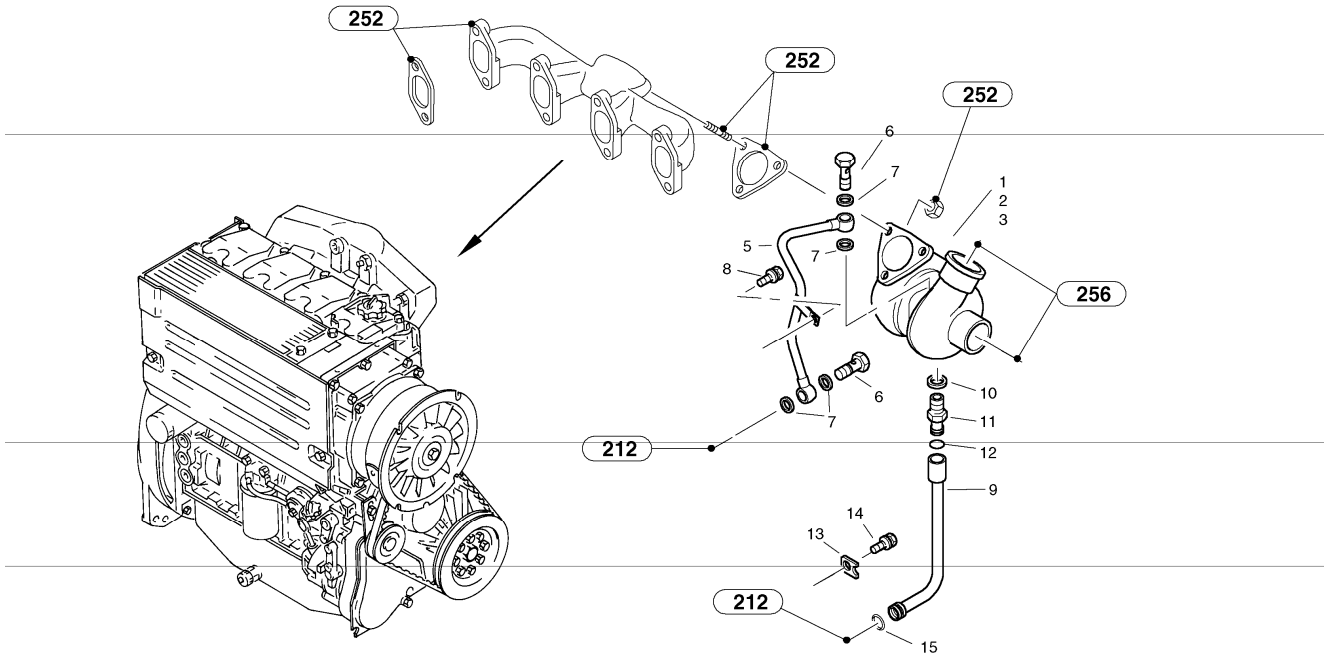
0000054

Q1-Q5	Option	Option description	
Q1 1840001			

Pos	Part	Q1	Q2	Q3	Q4	Q5	PS	Kit	Description	Option(s)	Remark
1	ZM2907513	1							Collecting pipe		(ZM2904411)
2	ZM4083910	4							Stiffener		
3	VOE20481810	8							Screw		(ZM2904037)
4	ZM2904412	8							Bushing		
5	VOE20834041	3							Stud		M8x20
6	ZM2900459	1							Gasket		
7	ZM7098010	3							Nut		M8
8	ZM2810937	1							Exhaust hose		
9	VOE11306075	1							Clamp		(ZM8092911)58,5
10	VOE983244	1							Hexagon screw		(ZM7095519)M8x30
11	VOE11305837	2							Washer		(ZM7090940)B 8,4
12	ZM7098010	1							Nut		M8
13	ZM2810334	4							Screw		M10x25
14	VOE11307559	4							Washer		(ZM7099094)B10,5
15	ZM2120430	4							Nut		VM10
16	ZM2810936	1							Muffler		
17	VOE11306373	1							Sealing moulding		(ZM4419055)L =

											300MM
18	ZM4083930	1							Stiffener		
19	VOE20834041	3							Stud		M8x20
20	ZM7098010	3							Nut		M8

Date: <b>2013/11/15</b>	Image id: <b>00000119</b>	Catalogue: <b>07501</b>	Model: <b>L32</b>
Brand: <b>Volvo</b>	Serial: <b>1840001-1840187</b>	Group/Section: <b>255/100</b>	Title: <b>Exhaust turbo - super charger</b>

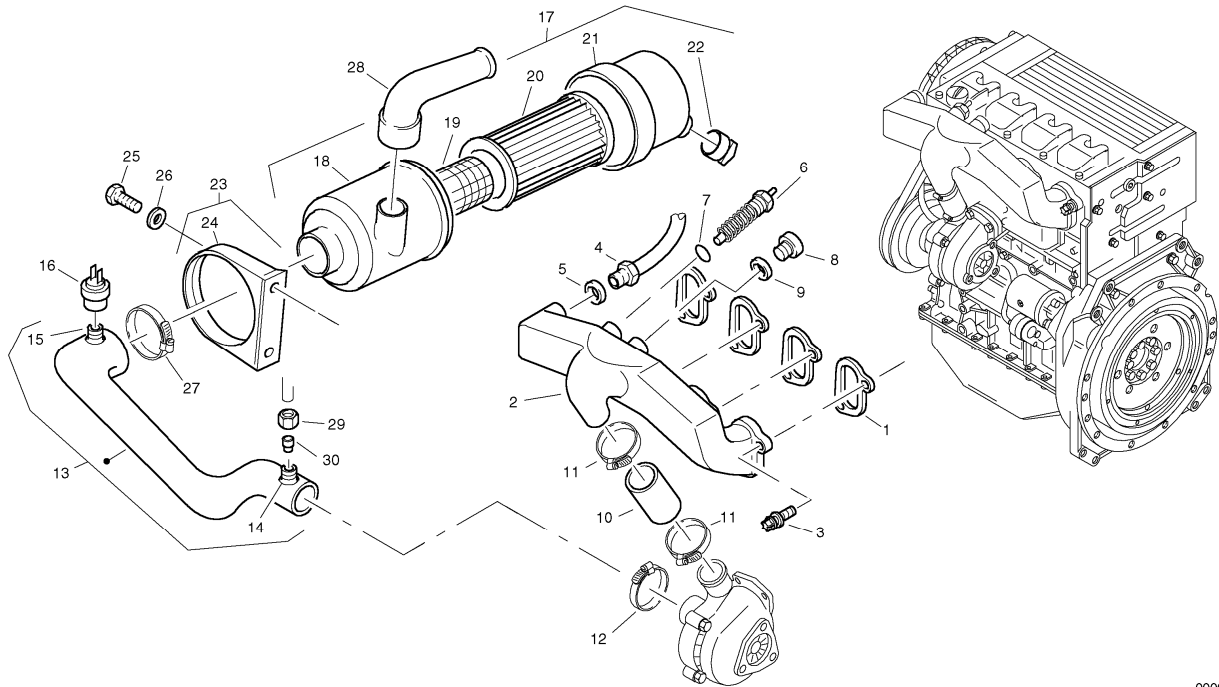


00000119

Q1-Q5	Option	Option description	
Q1 1840001			

Pos	Part	Q1	Q2	Q3	Q4	Q5	PS	Kit	Description	Option(s)	Remark
1	ZM2904185	1							Exhaust turbo - super cha		
2	ZM2905393	REQ							Repair Kit		
3	ZM2905394	REQ					OP		Fuselage group		
5	ZM2904732	1							Oil Pipe		
6	ZM2290272	2					SS		Hollow screw		8
7	VOE13947282	4							Gasket		(ZM7099538)A12x16
8	ZM2904733	1							Screw		
9	ZM2904764	1							Oil pipe		
10	VOE13947622	1							Plane gasket		(ZM7099500)A16x20
11	VOE20459171	1							Nipple		(ZM2904766)
12	VOE20459172	1							Sealing ring		(ZM2290908)
13	ZM2905360	1							Retaining plate		
14	ZM2904733	1							Screw		
15	ZM2904191	1							O-ring		

Date: <b>2013/11/15</b>	Image id: <b>00000121</b>	Catalogue: <b>07501</b>	Model: <b>L32</b>
Brand: <b>Volvo</b>	Serial: <b>1840001-1840187</b>	Group/Section: <b>256/100</b>	Title: <b>Suction system, filter</b>



00000121

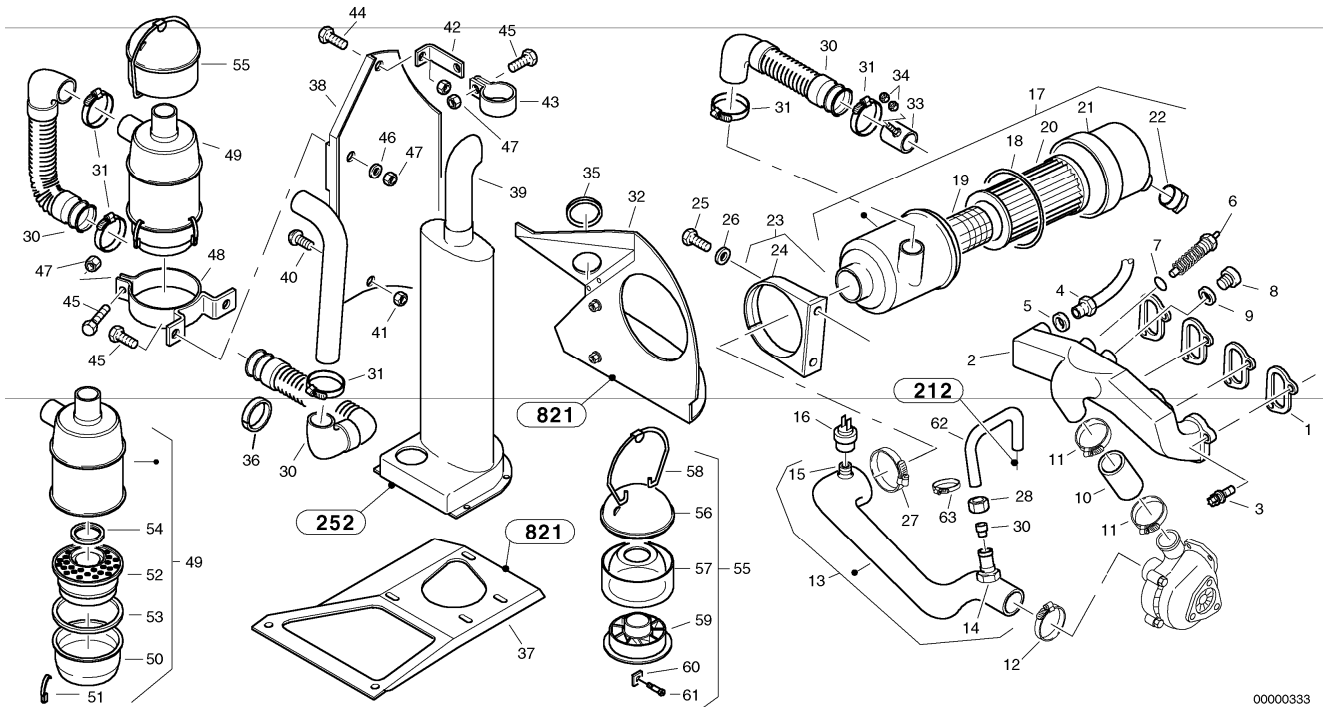
Q1-Q5	Option	Option description	
Q1 1840001			

Pos	Part	Q1	Q2	Q3	Q4	Q5	PS	Kit	Description	Option(s)	Remark
1	ZM2903605	4							Gasket		
2	ZM2905362	1							Suction pipe		
3	VOE3586624	8							Hexagon screw		(ZM2905363)
4	ZM2905386	1							Hose assembly		M10x1
5	ZM7099577	1					SS		Seal		A10x13,5
6	ZM4065780	1							Support		
7	VOE20460026	1							Sealing ring		(ZM7099523)A22x27
8	ZM7099424	1							Screw plug		M22x1,5
9	VOE20460026	1							Sealing ring		(ZM7099523)A22x27
10	ZM4074550	1							Hose connection		
11	ZM4084040	2							Clamp		
12	ZM2060784	1							Clip		AS50-70
13	ZM2910185								Hose		(ZM2811481)
13	ZM2813362	1					SS		Hose		See footnote 1368)
14	ZM2804521								••Instrument		
14	ZM2815843	1							••Hose kit		See footnote 1368)
15	ZM2906058	1							••Nipple		

16	ZM2815506	1							Warning switch		
17	ZM2804861	1					SS		Air filter, cpl.		
17	ZM2811086	1							Air filter		
18	ZM2903847	1							••Upper part		
19	ZM2903850	1							••Insert		
20	ZM2903849	1							••Micro-Top-Cartouche		
21	ZM2907907	1							••Under part		
22	ZM2061390	1							••Dust discharge valve		
23	ZM2804863	1							Retainer		
24	ZM2903851	1							••Spring		
25	VOE14370277	2							Hexagon screw		(ZM7095324)M8x40
26	VOE11305837	2							Washer		(ZM7090940)B 8,4
27	ZM2060785	1							Clip		AS70-90
28	ZM2808883	1							Exhaust pipe		
29	ZM7092960	1							Nut		AL12
30	ZM7092970	1							Ferrule		L12
31	ZM2907908	1							Ring		-184 0100
32	ZM2813363	1							Air vent hose		See footnote 1368)
33	ZM2060782	2							Clip		See footnote 1368) AS20-32

1368) only by air conditioning system

Date: <b>2013/11/15</b>	Image id: <b>0000333</b>	Catalogue: <b>07501</b>	Model: <b>L32</b>
Brand: <b>Volvo</b>	Serial: <b>1840001-1840187</b>	Group/Section: <b>2567/100</b>	Title: <b>Prefilter - Oil bath air filter</b>



0000333

Q1-Q5	Option	Option description	
Q1 1840001			

Pos	Part	Q1	Q2	Q3	Q4	Q5	PS	Kit	Description	Option(s)	Remark
1	ZM2903605	4							Gasket		
2	ZM2905362	1							Suction pipe		
3	VOE3586624	8							Hexagon screw		(ZM2905363)
4	ZM2905386	1							Hose assembly		M10x1
5	ZM7099577	1					SS		Seal		A10x13,5
6	ZM4065780	1							Support		
7	VOE20460026	1							Sealing ring		(ZM7099523)A22x27
8	ZM7099424	1							Screw plug		M22x1,5
9	VOE20460026	1							Sealing ring		(ZM7099523)A22x27
10	ZM4074550	1							Hose connection		
11	ZM4084040	2							Clamp		
12	ZM2060784	1							Clip		AS50-70
13	ZM2910185	1							Hose		(ZM2811481)
13	ZM2817353	1							Suction hose		(ZM2813362)See footnote 1368)
14	ZM2804521	1							••Instrument		
14	ZM2815843	1							••Hose kit		See footnote 1368)

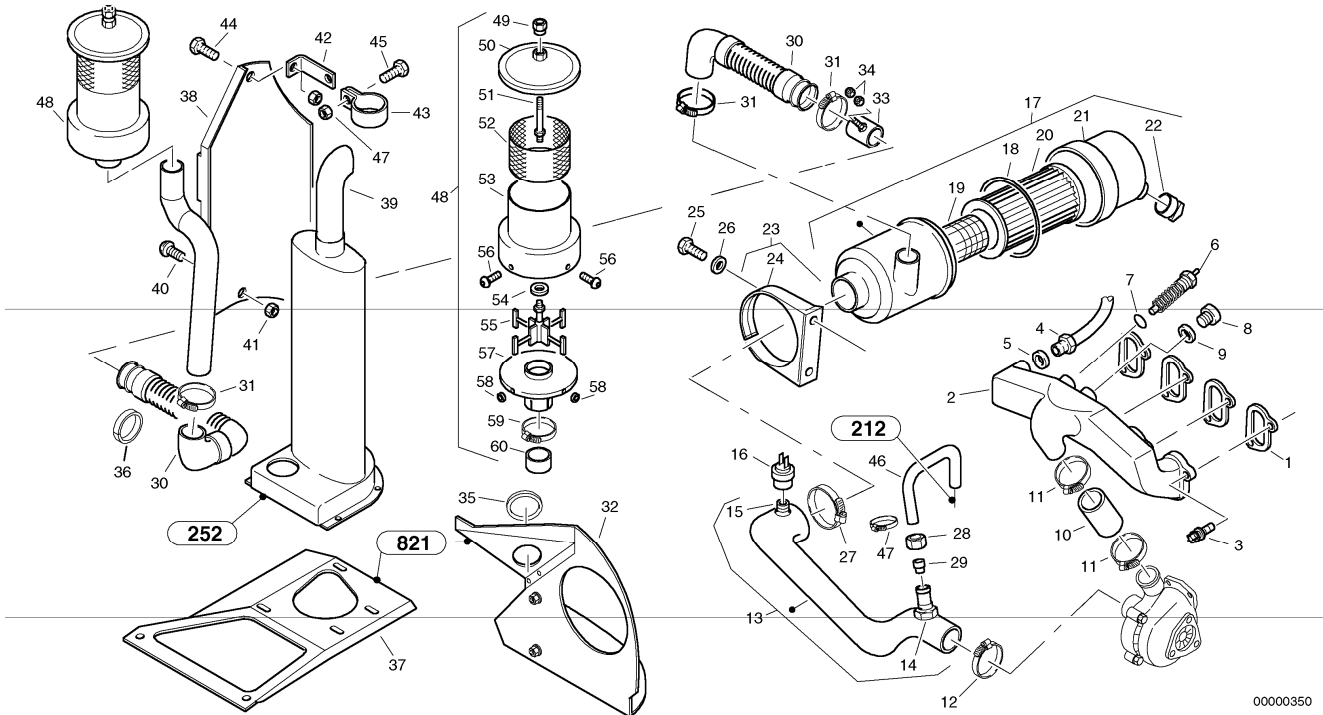
15	ZM2906058	1							••Nipple		
16	ZM2815506	1							Warning switch		
17	ZM2811086	1							Air filter		
18	ZM2907908	1							••Ring		
19	ZM2903850	1							••Insert		
20	ZM2903849	1							••Micro-Top- Cartouche		
21	ZM2907907	1							••Under part		
22	ZM2061390	1							••Dust discharge valve		
23	ZM2804863	1							Retainer		
24	ZM2903851	1							••Spring		
25	VOE14370277	2							Hexagon screw		(ZM7095324)M8x40
26	VOE11305837	2							Washer		(ZM7090940)B 8,4
27	ZM2060785	1							Clip		AS70-90
28	ZM7092960	1							Nut		AL12
29	ZM7092970	1							Ferrule		L12
30	ZM2806244	3							Hose		
31	ZM2060785	6							Clip		AS70-90
32	ZM2814234	1							Bulkhead		
33	ZM2814233	1							Pipe		
34	ZM7098010	2							Nut		M8
35	ZM2812123	1							Edge protection		(ZM4417976)L 300MM =
36	ZM4346043	1					SS		Strap		(ZM4346026)
37	ZM2814327	1							Support		
38	ZM2814227	1							Bracket		
39	ZM2814235	1							Sound absorber		
40	ZM2810329	3							Screw		MLF M8x16
41	ZM7098010	3							Nut		M8
42	ZM2814232	1							Holder		
43	ZM7092917	1							Clip		
44	VOE983242	1							Hexagon screw		(ZM7095517)M8x20
45	VOE983244	3							Hexagon screw		(ZM7095519)M8x30
46	VOE11305837	2							Washer		(ZM7090940)B 8,4
47	ZM7098010	4							Nut		M8
48	VOE11305642	1							Retainer		(ZM2198920)
49	VOE11305643	1							Oil bath air cleaner		(ZM2198930)
50	ZM5027660	1							••Oil tank		
51	VOE6634778	3							••Latch		(ZM4053980)
52	ZM5027670	1							••Insertion		
53	VOE6611320	1							••Gasket		(ZM5027690)
54	ZM5027680	1							••Gasket		
55	VOE11305645	1							Cyclone cleaner		(ZM2189670)
56	ZM2133280	1							••Cover		
57	ZM2189680	1							••Pot		
58	ZM2133300	1							••Brace		



59	ZM2189690	1							••Wing wheel		
60	VOE6617832	1							••Nut		(ZM2123040)
61	ZM2136120	1							••Screw		
62	ZM2813363	1							Air vent hose		See footnote 1368)
63	ZM2060782	2							Clip		See footnote 1368) AS20-32

1368) only by air conditioning system

Date: <b>2013/11/15</b>	Image id: <b>00000350</b>	Catalogue: <b>07501</b>	Model: <b>L32</b>
Brand: <b>Volvo</b>	Serial: <b>1840001-1840187</b>	Group/Section: <b>2568/100</b>	Title: <b>Pre-filter - Turbo Ii</b>



00000350

Q1-Q5	Option	Option description	
Q1 1840001			

Pos	Part	Q1	Q2	Q3	Q4	Q5	PS	Kit	Description	Option(s)	Remark
1	ZM2903605	4							Gasket		
2	ZM2905362	1							Suction pipe		
3	VOE3586624	8							Hexagon screw		(ZM2905363)
4	ZM2905386	1							Hose assembly		M10x1
5	ZM7099577	1					SS		Seal		A10x13,5
6	ZM4065780	1							Support		
7	VOE20460026	1							Sealing ring		(ZM7099523)A22x27
8	ZM7099424	1							Screw plug		M22x1,5
9	VOE20460026	1							Sealing ring		(ZM7099523)A22x27
10	ZM4074550	1							Hose connection		
11	ZM4084040	2							Clamp		
12	ZM2060784	1							Clip		AS50-70
13	ZM2910185	1							Hose		(ZM2811481)
13	ZM2817353	1							Suction hose		(ZM2813362)See footnote 1364)
14	ZM2804521	1							••Instrument		
14	ZM2815843	1							••Hose kit		See footnote 1364)

Thank you so much for reading.  
Please click the “Buy Now!”  
button below to download the  
complete manual.



After you pay.

You can download the most  
perfect and complete manual in  
the world immediately.

Our support email:

[ebooklibonline@outlook.com](mailto:ebooklibonline@outlook.com)