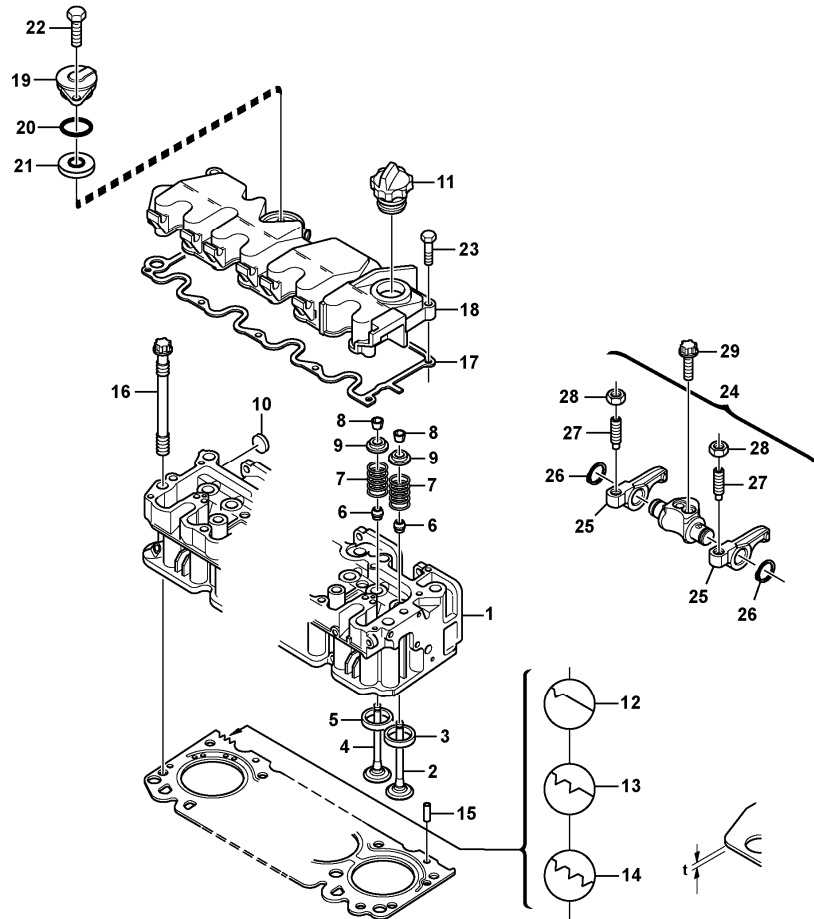


Date: 2013/11/13	Image id: 1052913	Catalogue: 20040	Model: L35B
Brand: Volvo	Serial: 1863000-1869999, 1873000-1879999, 1883000-1889999, 1893000-1899999	Group/Section: 211/100	Title: Cylinder head, timing gears



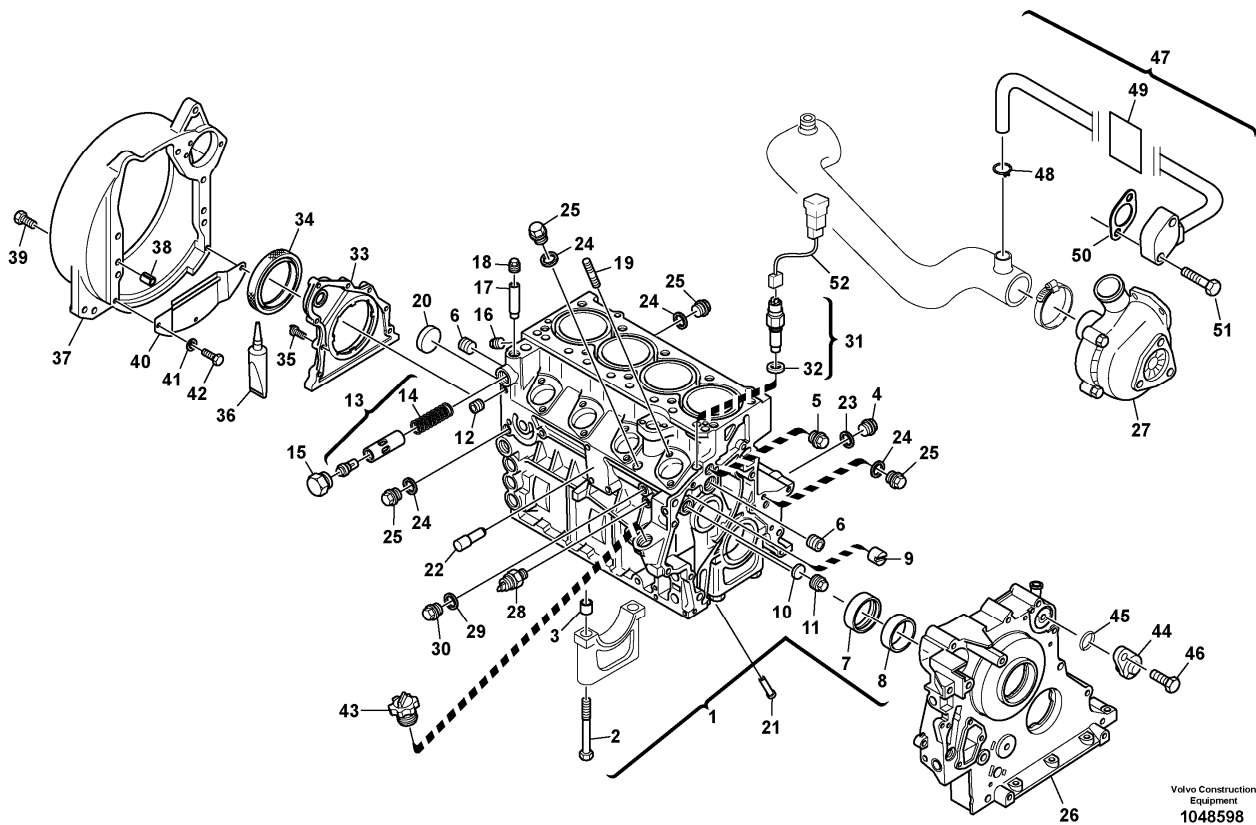
Volvo Construction
Equipment
1052913

Q1-Q5	Option	Option description	
Q1 11306228 11309261			
Q2 11308624			
Q3 15211728			

Pos	Part	Q1	Q2	Q3	Q4	Q5	PS	Kit	Description	Option(s)	Remark
1	VOE11715744	1							Cylinder head		
1	VOE15052891		1	1					Cylinder head		
2	VOE11715747	4	4	4					•Inlet valve		
3	VOE15052905	4							•Valve seat		(VOE11715746)
3	VOE15052905		4	4					•Valve seat		
4	ZM2908492	4	4	4					•Exhaust Valve		
5	VOE11370184	4					SS		•Valve seat ring		37,07 mm

5	ZM2290500	REQ							•Valve seat ring		37,27 mm
5	VOE15052901		4	4					•Valve seat		
6	VOE20459855	8	8	8					•Valve seal		(ZM2904368)
7	ZM2904091	8	8	8					•Pressure spring		
8	VOE20459857	16	16	16					•Valve sleeve		
9	VOE15053220	8	8	8					•Washer		
10	ZM2906743	3	3	3					•Cover		
11	ZM2904064	1	1	1					Filler cap		
12	VOE11715533	1					SS		Cylinder gasket head		THICK = 1,48 MM
12	VOE15052907		1	1					Cylinder gasket head		THICK = 1,47 MM
13	VOE11715534	1							Cylinder gasket head		THICK = 1,55 MM
13	VOE15052909		1	1					Cylinder gasket head		THICK = 1,52 MM
14	VOE11715536	1							Cylinder gasket head		THICK = 1,60 MM
14	VOE15052899		1	1					Cylinder gasket head		THICK = 1,57 MM
15	VOE21033924	2	2	2					Guide pin		
16	ZM2904092	10	10	10					Cylinder head screw		
17	VOE15163264	1	1	1					Valve cover gasket		(VOE11370601)
18	VOE11715742	1	1	1					Valve cover		
19	VOE11370605	1	1	1					•Release valve		
20	ZM2904066	1	1	1					••O-ring		
21	VOE15154076	1	1	1					•Oil separator		
22	VOE11370258	1	1	1					•Hexagon screw		
23	ZM2908485	10	10	10					Screw		
24	ZM2290529	4	4	4					Valve rocker support		
25	ZM2290526	2	2	2					•Rocker Arm		
26	ZM7094952	2	2	2					•Safety ring		18x1,2
27	ZM2290527	2	2	2					•Adjusting screw		
28	VOE11700373	2	2	2					•Nut		
29	VOE20459853	8	8	8					Screw		

Date: 2013/11/13	Image id: 1048598	Catalogue: 20040	Model: L35B
Brand: Volvo	Serial: 1863000-1869999, 1873000-1879999, 1883000-1889999, 1893000-1899999	Group/Section: 212/100	Title: Engine casing, Ventilation



Volvo Construction
Equipment
1048598

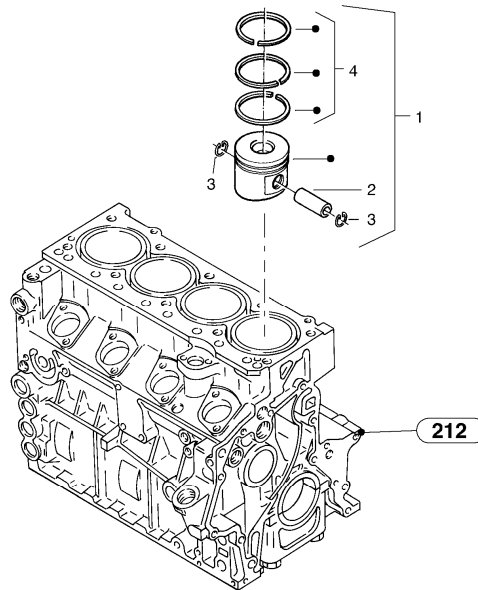
Q1-Q5	Option	Option description	
Q1 11306228 11309261			
Q2 11308624			
Q3 15211728			

Pos	Part	Q1	Q2	Q3	Q4	Q5	PS	Kit	Description	Option(s)	Remark
1	VOE11370613	1							Crankcase		
1	VOE15053275		1				SS		Cylinder block		
2	ZM2290540	10	10						•Hexagon screw		
3	ZM4010300	10	10						•Bushing		
4	VOE20459941	1	1						•Plug		
5	ZM2904050	1	1						•Screw plug		
6	ZM2908480	2	2						•Screw plug		

7	ZM2904048	2	2						•Bearing bush		
8	VOE20795762	3	3						•Bearing Bushing		
9	VOE15053296	2	2						•Guide sleeve		
10	VOE11370177	1							•Plug		
11	ZM2905346	1							•Screw plug		
11	VOE15053810		1						•Plug		
12	VOE20860215	1	1						•Screw		(ZM2905340)
13	ZM2904169	1	1						•Thermostat		
14	ZM2904053	1	1						••Pressure spring		
15	ZM2905345	1	1						•Screw plug		
16	VOE20459853	1							•Screw		
16	VOE20405718		1						•Plug		
17	ZM2904051	1	1						•Tube		
18	ZM2905344	1	1						•Screw plug		
19	VOE11715739	8	8						•Stud		
20	VOE11370179	1	1						•Cover		
21	ZM2904056	8	8						•Piston cooling jet		
22	ZM2904057	1	1						•Pin		
23	VOE20460061	1	1						•Sealing ring		
24	VOE11700631	4	4						Sealing ring		(ZM7099530)
25	VOE960628	4	4						Plug		
26		1	1						Front cover		
27		1	1						Turbocharger		
28	ZM2905379	1	1						Oil pressure switch		
29	VOE13947624	1	1						Plane gasket		
30	VOE11305512	1	1						Lock plug		AM18x1,5
31	ZM2904059	1							Temperature transmitter		(VOE11715605)
31	VOE15054496		1						Sensor		
32	VOE13947621	1							•Plane gasket		(ZM7099503)A14x18
32	VOE15051423		1						•Sealing ring		
33	ZM15020566	1	1						Cover rear		
34	ZM2292220	1	1						•Radial seal		
35	ZM2290455	8	8						Screw		
36	ZM4084070	REQ							Sealant		
37	ZM2905335	1	1						Intermediate housing		
38	ZM2290547	2	2						Bushing		
39	VOE20554683	4	4						Screw		(ZM8096638)
40	ZM2290561	1	1						Cover plate		
41	VOE973494	3	3						Washer		(VOE20459183)
42	VOE20459986	3	3						Screw		(ZM7098752)
43	ZM2904064	1	1						Filler cap		
44	ZM2904065	1	1						Valve		
45	ZM2904066	1	1						O-ring		
46	VOE11370258	1	1						Hexagon screw		
47	VOE11715740	1	1						Air vent pipe		

48	ZM2904172	1	1						•Hose Clamp		
49	VOE20450861	1	1						•Sleeve		
50	VOE11370603	1	1						Gasket		
51	VOE11370593	2	2						Hexagon screw		
52	VOE15206043		1						Electric cable		S/N 1866001 - S/N 1876001 - S/N 1886001 - S/N 1896001 -
52	VOE11306171		1						•Housing		
52	VOE15206036		1				NS		•Resistor		R8,2/5W

Date: 2013/11/13	Image id: 1003083	Catalogue: 20040	Model: L35B
Brand: Volvo	Serial: 1863000-1869999, 1873000-1879999, 1883000-1889999, 1893000-1899999	Group/Section: 213/100	Title: Cylinder bush and piston

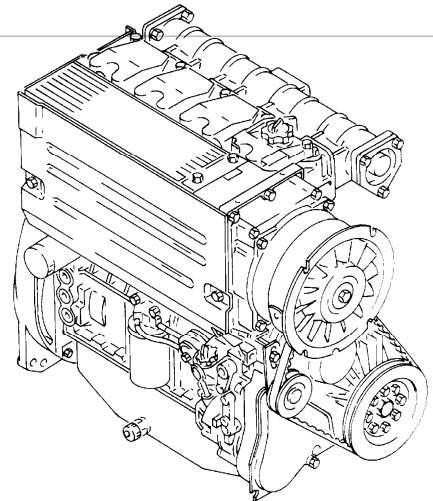
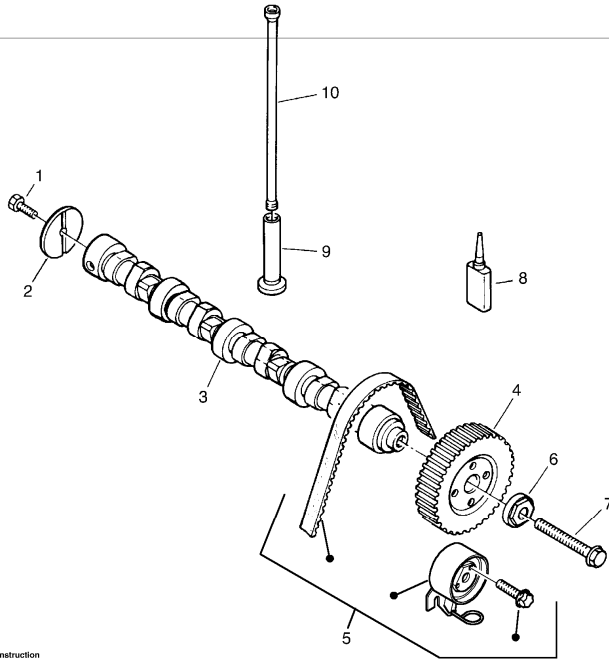


Volvo Construction
Equipment
1003083

Q1-Q5	Option	Option description	
Q1 11306228 11309261			
Q2 11308624			
Q3 15211728			

Pos	Part	Q1	Q2	Q3	Q4	Q5	PS	Kit	Description	Option(s)	Remark
1	VOE11715529	4					SS		Piston		
1	VOE15053290		4	4					Piston		
2	VOE11715530	1	1	1					•Bolt		
3	VOE11715531	2	2	2					•Retaining ring		
4	VOE11715532	1							•Piston ring kit		
4	VOE15053366		1	1					•Piston ring kit		

Date: 2013/11/13	Image id: 1009219	Catalogue: 20040	Model: L35B
Brand: Volvo	Serial: 1863000-1869999, 1873000-1879999, 1883000-1889999, 1893000-1899999	Group/Section: 215/100	Title: Camshaft



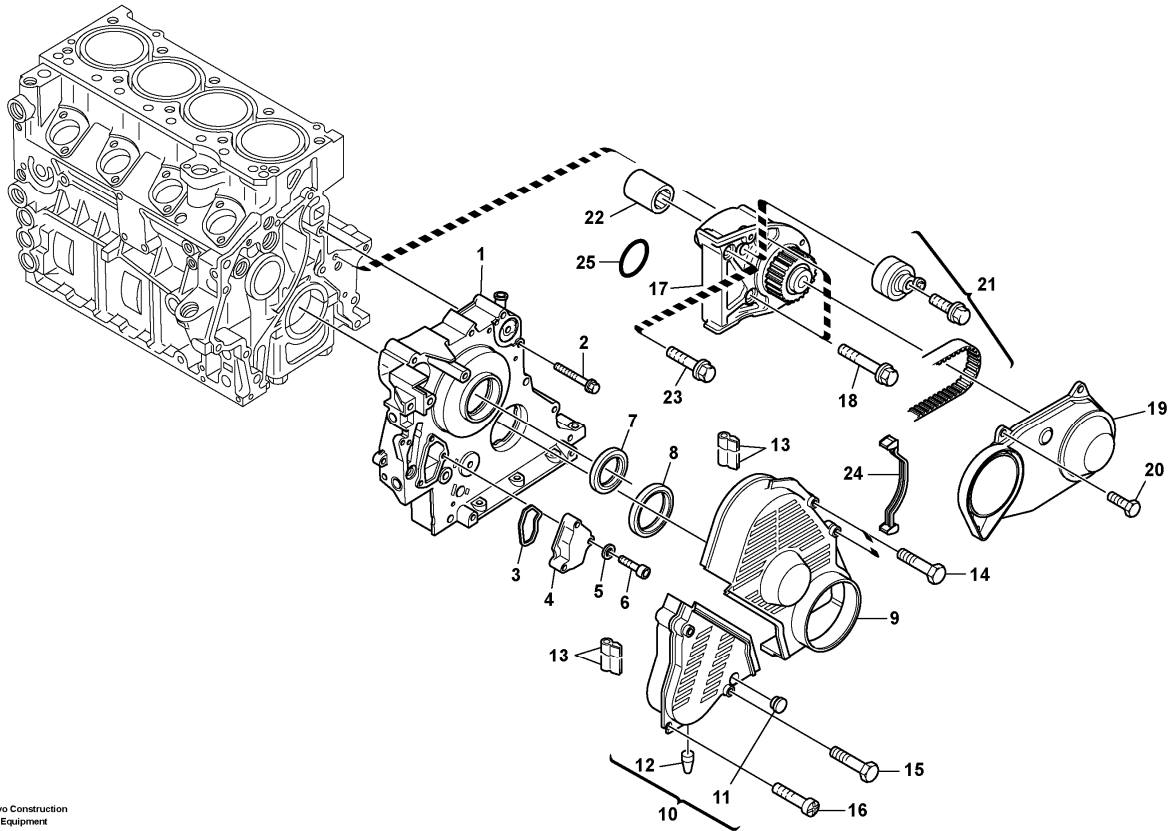
Volvo Construction
Equipment
1009219

Q1-Q5	Option	Option description	
Q1 11306228 11309261			
Q2 11308624			
Q3 15211728			

Pos	Part	Q1	Q2	Q3	Q4	Q5	PS	Kit	Description	Option(s)	Remark
1	VOE20556888	1	1	1					Hexagon screw		
2	ZM2290517	1	1	1					Spacer disc		
3	VOE11370640	1							Camshaft		
3	VOE15053919		1	1					Camshaft		
4	VOE11370641	1							Pulley		
4	VOE15053819		1	1					Camshaft gear		
5	VOE20945013	1	1	1					Repair Kit		
6	ZM2290522	1	1	1					Washer		
7	VOE20797281	1	1	1					Hexagon screw		M14x1,5x110
8		REQ	REQ	REQ			NS		Sealing compound		
9	ZM2904101	2	2	2					Valve tappet		
10	ZM2290524	2							Push rod		

10	VOE15053292		2	2					Push rod		
----	-------------	--	---	---	--	--	--	--	----------	--	--

Date: 2013/11/13	Image id: 1021126	Catalogue: 20040	Model: L35B
Brand: Volvo	Serial: 1863000-1869999, 1873000-1879999, 1883000-1889999, 1893000-1899999	Group/Section: 215/200	Title: Timing gear housing (front cover)



Volvo Construction
Equipment
1021126

Q1-Q5	Option	Option description	
Q1 11306228 11309261			
Q2 11308624			
Q3 15211728			

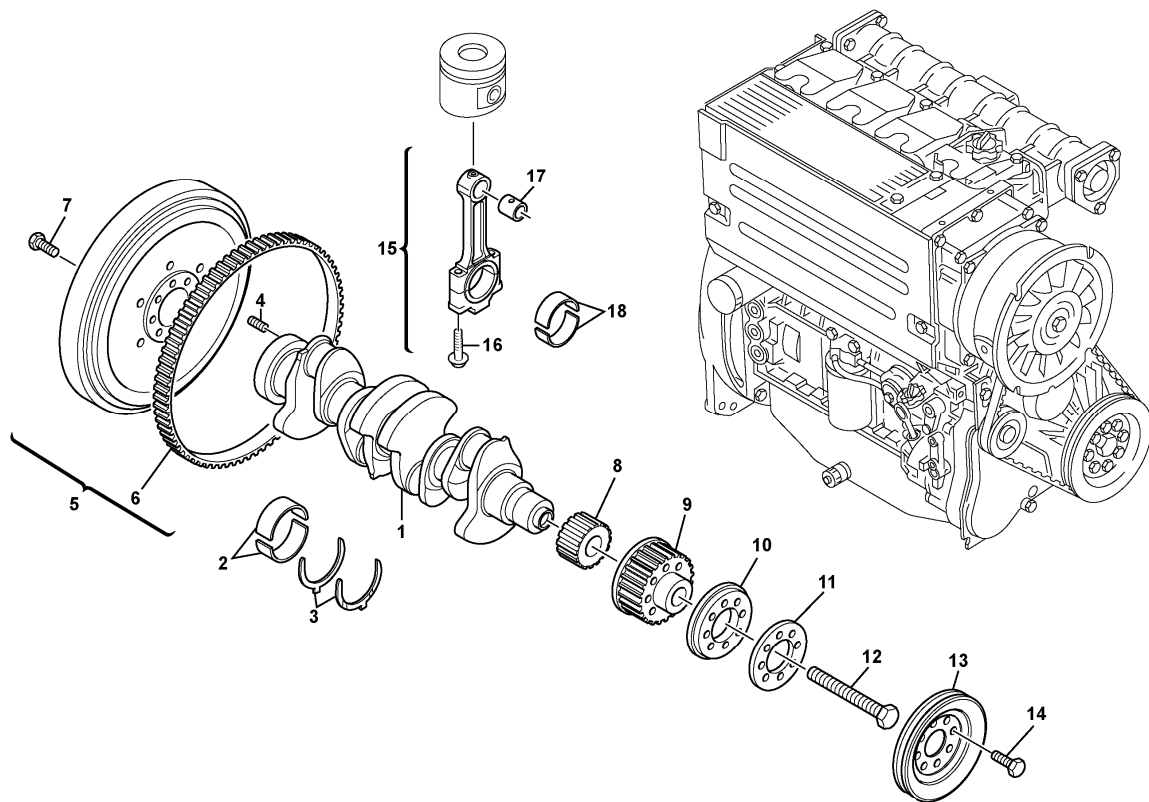
Pos	Part	Q1	Q2	Q3	Q4	Q5	PS	Kit	Description	Option(s)	Remark
1	VOE11370652	1	1	1					Cover		
2	ZM2908498	11	11	11					Screw		
3	ZM2904068	1	1	1					Profil gasket		
4	ZM2904070	1	1	1					Cover		
5	VOE20459074	3	3	3					Washer		(VOE11700497)
6	VOE11370253	3	3	3					Screw		
7	ZM2291470	1	1	1					Seal		

8	ZM2290458	1	1	1					Seal		
9	VOE11715748	1	1	1					Protecting casing		See footnote 1415)
9	VOE11715974	1	1	1					Protecting casing		See footnote 1375)
10	VOE11715749	1	1	1					Protecting casing		
11	ZM2904072	1	1	1					•Plug		
12	VOE11370190	1	1	1					•Rubber sleeve		
13	VOE11370596	REQ	REQ	REQ					Sealing moulding		
14	VOE11370191	3	3	3					Hexagon screw		
15	VOE11370192	2	2	2					Hexagon screw		
16	VOE20460068	1	1	1					Screw		
17	VOE11370649	1	1	1					Bracket		See footnote 1375)
18	ZM2906901	2	2	2					Screw		See footnote 1375) M10X90
19	VOE11370276	1	1	1					Protecting casing		See footnote 1375)
20	VOE20534527	5	5	5					Screw		See footnote 1375) M6X25
21	VOE20945006	1	1	1					Repair Kit		See footnote 1375)
22	VOE11370278	1	1	1					Engaging sleeve		See footnote 1375)
23	VOE20797178	1	1	1					Screw		(VOE11370279)See footnote 1375) M10X75
24	VOE11370611	1	1	1					Gasket		See footnote 1375)
25	ZM2291529	1	1	1					O-ring		See footnote 1375)

1375) only by auxiliary pump

1415) not by auxiliary pump

Date: 2013/11/13	Image id: 1032926	Catalogue: 20040	Model: L35B
Brand: Volvo	Serial: 1863000-1869999, 1873000-1879999, 1883000-1889999, 1893000-1899999	Group/Section: 216/100	Title: Crankshaft



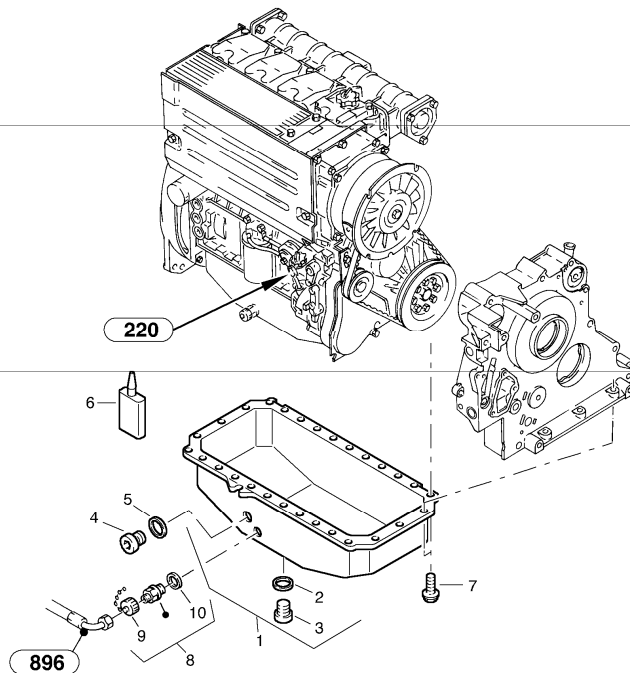
Volvo Construction
Equipment
1032926

Q1-Q5	Option	Option description	
Q1 11306228 11309261			
Q2 11308624			
Q3 15211728			

Pos	Part	Q1	Q2	Q3	Q4	Q5	PS	Kit	Description	Option(s)	Remark
1	VOE11370180	1							Crankshaft		
1	VOE15053306		1	1					Crankshaft		
2	ZM2290402	5							•Crankshaft bearing		69,50 mm
2	ZM2900539	REQ							•Crankshaft bearing		69,75 mm
2	ZM2290400	REQ							•Crankshaft bearing		70,00 mm
2	ZM2290400		REQ	REQ					Crankshaft bearing		
3	VOE20944762	1							•Thrust Washer		2,40 mm

3	VOE20944762		1	1					Thrust Washer		
3	VOE20944769	REQ							•Thrust Washer		2,60 mm
4	ZM2904375	1	1	1					Thread Insert		
5	ZM2908532	1	1	1					Flywheel		
6	ZM2908533	1	1	1					•Gear ring		
7	ZM2290407	8	8	8					Screw		
8	ZM2290408	1	1	1					Toothed belt wheel		
9	ZM2290409	1	1	1					Toothed belt wheel		
10	VOE11370230	1	1	1					Spacer		
11	VOE11370229	1	1	1					Deflector		
12	ZM2290411	1	1	1					Screw		(VOE11715741)
13	ZM2905385	1							V-belt pulley		
13	ZM2290429		1	1					Pulley		
14	ZM2908482	8	8	8					Screw		
15	VOE11370607	4						SS	Connecting rod		
15	VOE15053277		4	4					Connecting rod		
16	VOE11370610	2							•Connecting rod bolt		
16	VOE15053932		2	2					•Screw		
17	ZM2290431	1	1	1					•Bushing		33,07 - 33,11 mm
17	ZM2900544	REQ	REQ	REQ					•Bushing		33,32 - 33,36 mm
18	ZM2900543	4							Big end bearing		54,50 mm
18	ZM2900542	REQ							Big end bearing		54,75 mm
18	ZM2290432	REQ							Big end bearing		55,00 mm
18	VOE15186588		4	4					•Big-end bearing kit		(VOE15053863)

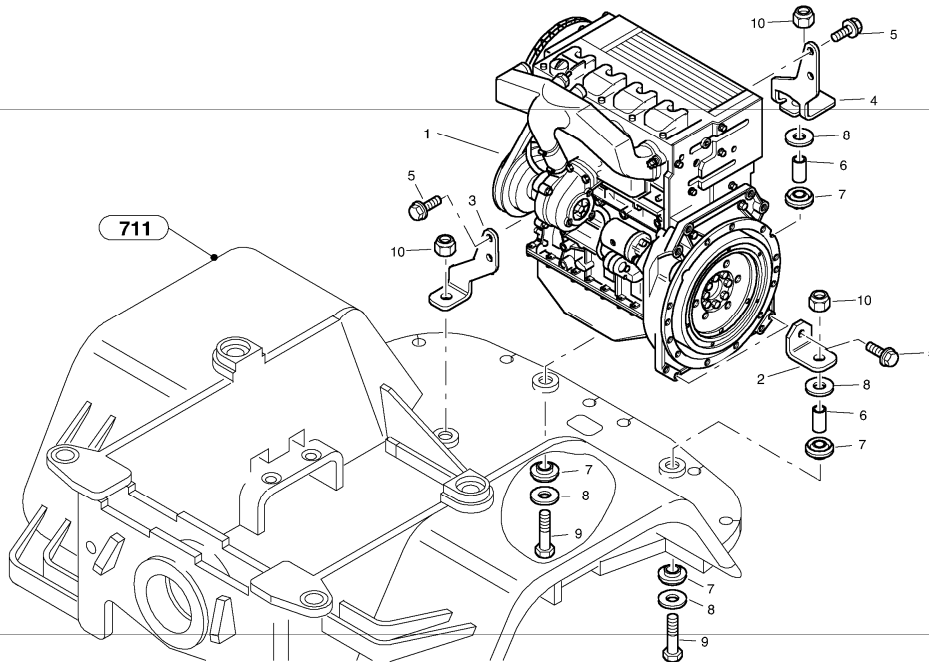
Date: 2013/11/13	Image id: 1003086	Catalogue: 20040	Model: L35B
Brand: Volvo	Serial: 1863000-1869999, 1873000-1879999, 1883000-1889999, 1893000-1899999	Group/Section: 217/100	Title: Oil sump



Q1-Q5	Option	Option description	
Q1 11306228 11309261			
Q2 11308624			
Q3 15211728			

Pos	Part	Q1	Q2	Q3	Q4	Q5	PS	Kit	Description	Option(s)	Remark
1	VOE11370134	1	1	1					Oil pan		
2	VOE13947624	1	1	1					•Plane gasket		
3	VOE20450891	1	1	1					•Plug		
4	VOE20460024	1	1	1					•Plug		
5	VOE20460026	1	1	1					•Sealing ring		
6	ZM2903926	REQ	REQ	REQ					Sealing compound		
7	ZM2292234	26	26	26					Screw		
8	ZM4384256	1							Valve		
9	ZM2285689	1							•Chain with cap		
10	ZM7099518	1							•Seal		

Date: 2013/11/13	Image id: 1009314	Catalogue: 20040	Model: L35B
Brand: Volvo	Serial: 1863000-1869999, 1873000-1879999, 1883000-1889999, 1893000-1899999	Group/Section: 218/100	Title: Engine assy



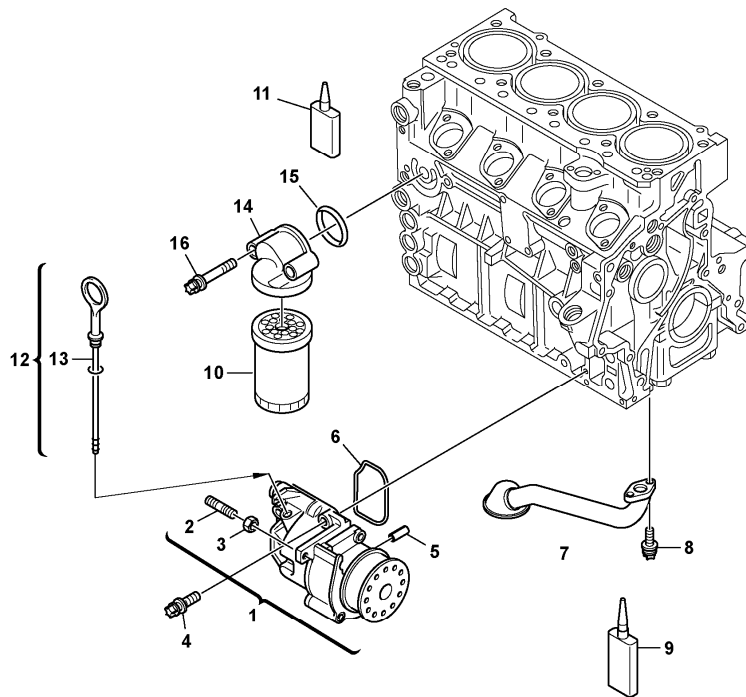
Volvo Construction
Equipment
1009314

Q1-Q5	Option	Option description	
Q1 11306228			
Q2 11309261			
Q3 11308624			
Q4 15211728			

Pos	Part	Q1	Q2	Q3	Q4	Q5	PS	Kit	Description	Option(s)	Remark
1	VOE11306228	1					SS		Diesel engine		
1	VOE11309261		1						Diesel engine		1873663 - 1863884 - 1893746 - 1883681 -
1	VOE11308624			1			SS		Engine		
1	VOE15216364				1				Engine		(VOE15211728)
2	VOE11306348	2	2	2	2				Retainer		
3	VOE11306347	1	1	1	1				Retainer		
4	VOE11306346	1	1	1	1				Retainer		
5	VOE980056	6	6	6	6				Flange screw		M14x30
6	ZM2812436	4	4	4	4				Tube		
7	ZM2811225	8	8	8	8				Buffer		
8	VOE11307333	4	4	4	4				Washer		

9	VOE978952	4	4	4	4				Hexagon screw	VOE289222 9	M20x100 1876047	S/N	-
9	VOE978952	4	4	4	4				Hexagon screw	VOE289223 0	M20x100 1866419	S/N	-
9	VOE978952	4	4	4	4				Hexagon screw	VOE289223 1	M20x100 1896283	S/N	-
9	VOE978952	4	4	4	4				Hexagon screw	VOE289223 2	M20x100 1886165	S/N	-
9	VOE978953	4	4	4	4				Hexagon screw	VOE289222 9	M20x100	S/N 1876048	-
9	VOE978953	4	4	4	4				Hexagon screw	VOE289223 0	M20x100	S/N 1866420	-
9	VOE978953	4	4	4	4				Hexagon screw	VOE289223 1	M20x100	S/N 1896284	-
9	VOE978953	4	4	4	4				Hexagon screw	VOE289223 2	M20x100	S/N 1886166	-
10	VOE982489	4	4	4	4				Lock nut				

Date: 2013/11/13	Image id: 1020641	Catalogue: 20040	Model: L35B
Brand: Volvo	Serial: 1863000-1869999, 1873000-1879999, 1883000-1889999, 1893000-1899999	Group/Section: 220/100	Title: Oil pump, oil filter



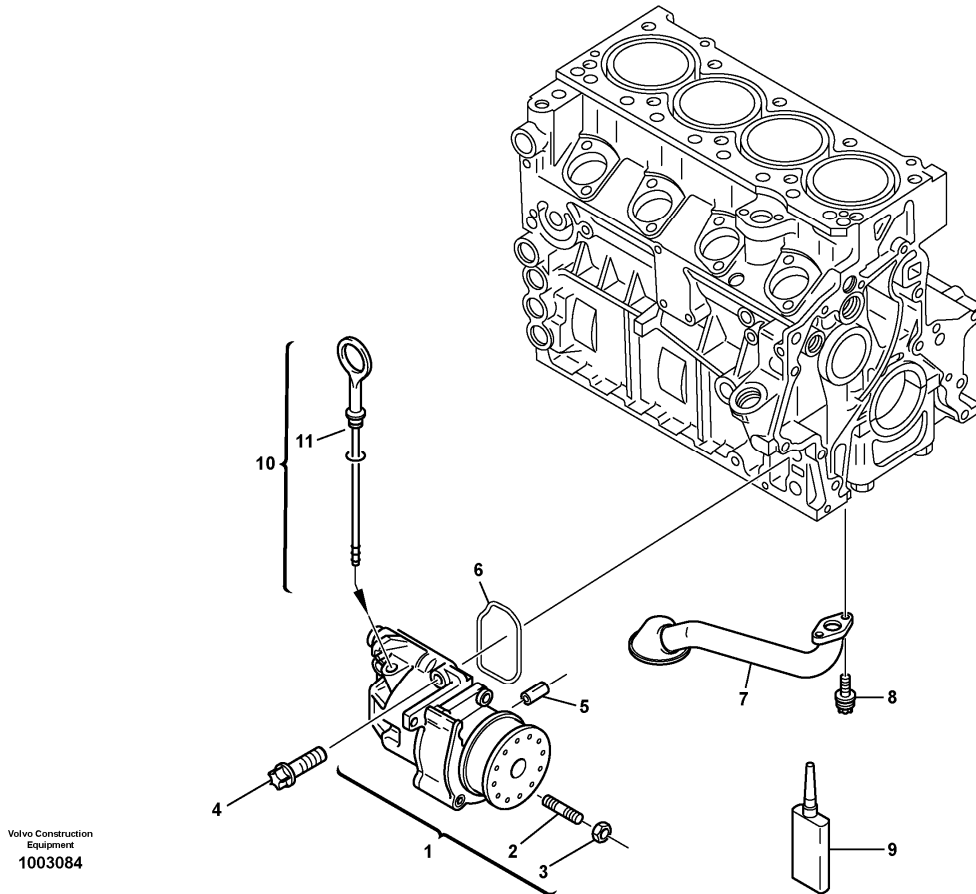
Volvo Construction
Equipment
1020641

Q1-Q5	Option	Option description	
Q1 1863000-			
Q2 1873000-			
Q3 1883000-			
Q4 1893000-			

Pos	Part	Q1	Q2	Q3	Q4	Q5	PS	Kit	Description	Option(s)	Remark
1	VOE11715512	1	1	1	1				Oil pump		
2	ZM2908502	1	1	1	1				•Screw Nail		M6x40
3	VOE20460939	1	1	1	1				•Hexagon nut		M6
4	ZM2904117	4	4	4	4				Screw		
5	ZM2904118	2	2	2	2				Clamping pin		
6	ZM2904119	1	1	1	1				Gasket		
7	VOE11715751	1	1	1	1				Oil pipe		

8	VOE20797217	2	2	2	2				Flange screw		(VOE11715752)
9	ZM2903828	REQ	REQ	REQ	REQ		OP		Locking agent		
10	VOE11715272	1	1	1	1				Oil filter		SB CWL1
11	VOE20464471	REQ	REQ	REQ	REQ				Locking fluid		
12	VOE15020602	1	1	1	1				Dipstick		
13	ZM2905171	1	1	1	1				•O-ring		
14	ZM2907622	1	1	1	1				Bracket		
15	ZM2907372	1	1	1	1				O-ring		
16	ZM2908513	2	2	2	2				Screw		(VOE11715750)

Date: 2013/11/13	Image id: 1003084	Catalogue: 20040	Model: L35B
Brand: Volvo	Serial: 1863000-1869999, 1873000-1879999, 1883000-1889999, 1893000-1899999	Group/Section: 221/100	Title: Oil pump

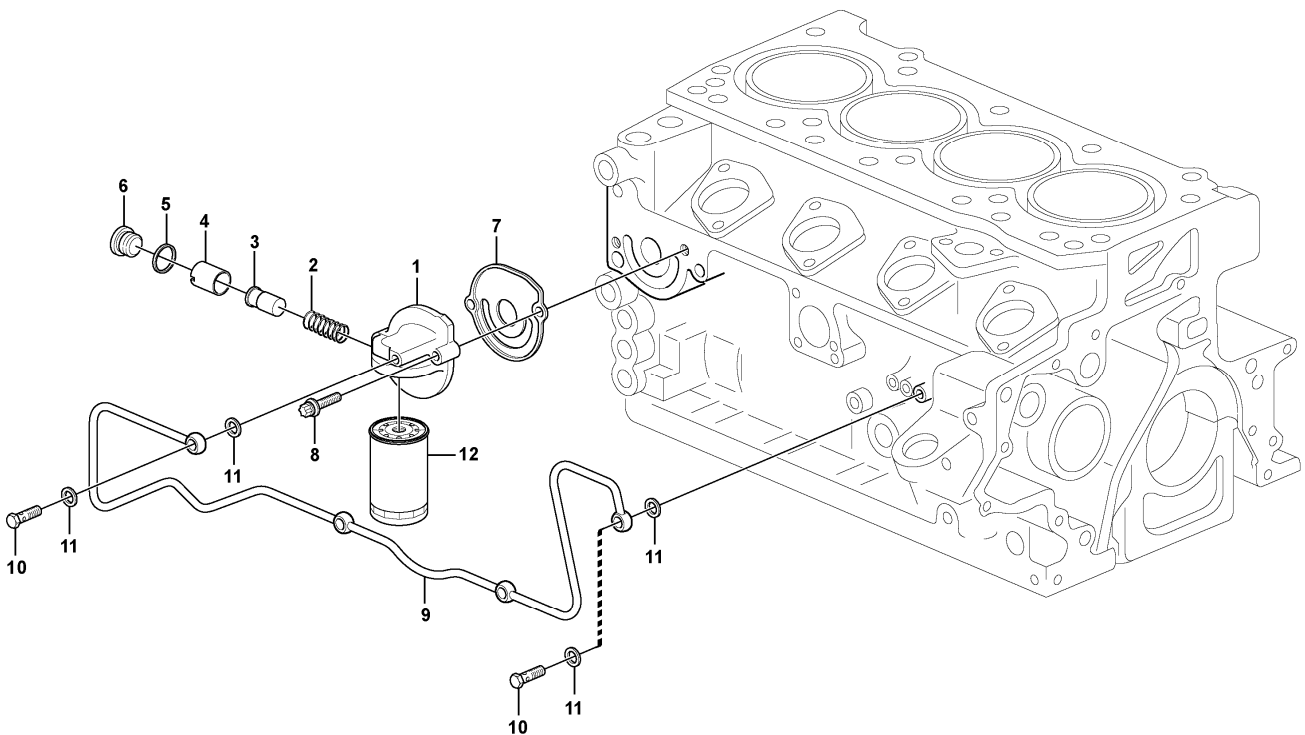


Q1-Q5	Option	Option description	
Q1 11306228 11309261			
Q2 11308624			
Q3 15211728			

Pos	Part	Q1	Q2	Q3	Q4	Q5	PS	Kit	Description	Option(s)	Remark
1	VOE15053902	1	1	1					Oil pump		
2	VOE15028996	1	1	1					•Pin		M6X40
3	VOE20460939	1	1	1					•Hexagon nut		M6
4	ZM2904117	4	4	4					Screw		
5	ZM2904118	2	2	2					Clamping pin		
6	ZM2904119	1	1	1					Gasket		
7	VOE11715751	1	1	1					Oil pipe		

8	VOE20797217	2	2	2					Flange screw		(VOE11715752)
9	ZM2903828	1					OP		Locking agent		
10	VOE15020602	1	1	1					Dipstick		
11	ZM2905171	1	1	1					•O-ring		8,5x2,5

Date: 2013/11/13	Image id: 1032981	Catalogue: 20040	Model: L35B
Brand: Volvo	Serial: 1863000-1869999, 1873000-1879999, 1883000-1889999, 1893000-1899999	Group/Section: 222/100	Title: Oil filter



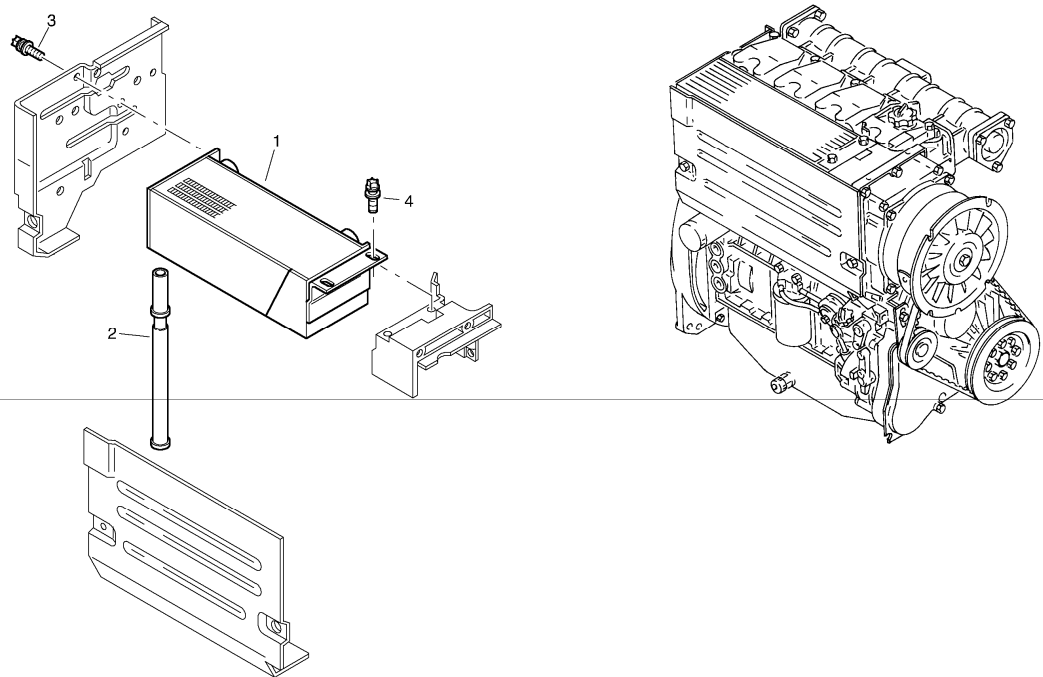
Volvo Construction
Equipment
1032981

Q1-Q5	Option	Option description	
Q1 11308624			
Q2 15211728			

Pos	Part	Q1	Q2	Q3	Q4	Q5	PS	Kit	Description	Option(s)	Remark
1	VOE15053792	1	1						Oil filter housing		
2	VOE15053890	1	1						•Spring		
3	VOE15053887	1	1						•Valve		
4	VOE15053936	1	1						•Temperature sensor		
5	VOE20515173	1	1						•Gasket		
6	VOE21094611	1	1						•Plug		(VOE11715753)
7	VOE15053811	1	1						Gasket		
8	ZM2908513	2	2						Screw		

9	VOE15053897	1	1						Oil line		
10	ZM4074290	4	4						•Tube		
11	VOE13947281	8	8						•Gasket		
12	VOE11715272	1	1						Oil filter		

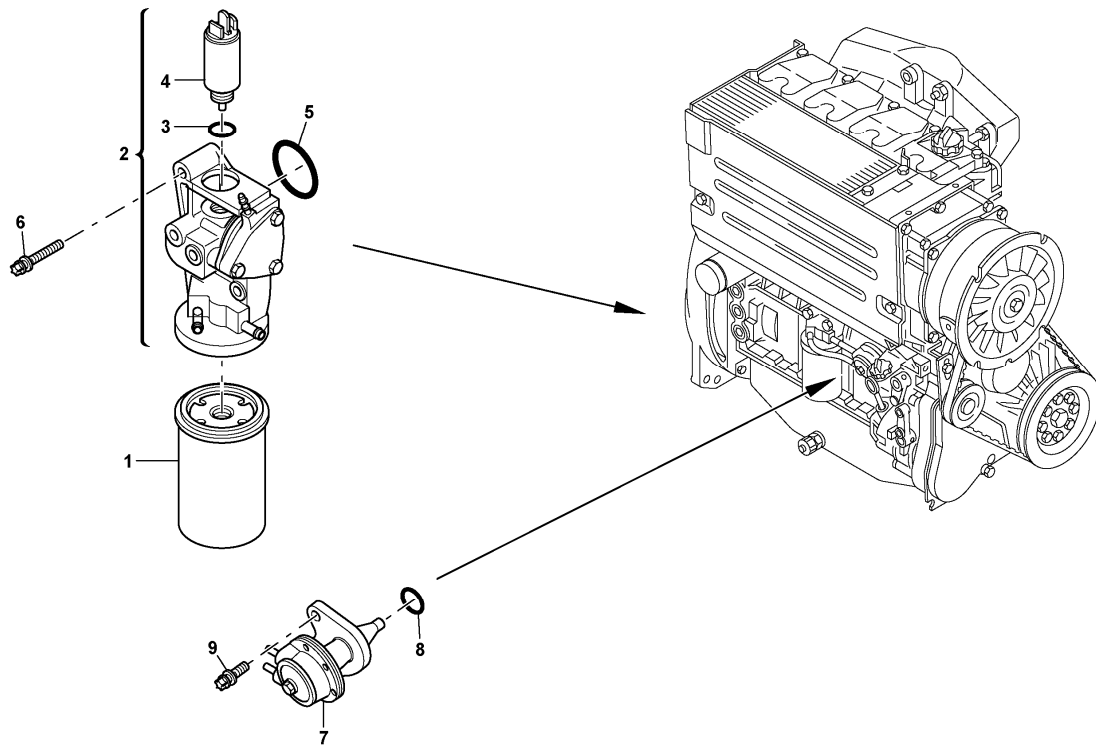
Date: 2013/11/13	Image id: 1009201	Catalogue: 20040	Model: L35B
Brand: Volvo	Serial: 1863000-1869999, 1873000-1879999, 1883000-1889999, 1893000-1899999	Group/Section: 223/100	Title: Engine - oil cooler



Q1-Q5	Option	Option description	
Q1 11306228 11309261			
Q2 11308624			
Q3 15211728			

Pos	Part	Q1	Q2	Q3	Q4	Q5	PS	Kit	Description	Option(s)	Remark
1	VOE11370616	1					SS		Oil cooler		
1	VOE15053397		1	1					Oil cooler		
2	ZM2904123	2							Insert pipe		
2	VOE15053786		2	2					Plug		
3	ZM2904121	2	2	2					Screw		
4	VOE11370595	2	2	2					Torque screw		(ZM2904122)

Date: 2013/11/13	Image id: 1013949	Catalogue: 20040	Model: L35B
Brand: Volvo	Serial: 1863000-1869999, 1873000-1879999, 1883000-1889999, 1893000-1899999	Group/Section: 233/100	Title: Fuel filter - Feed pump



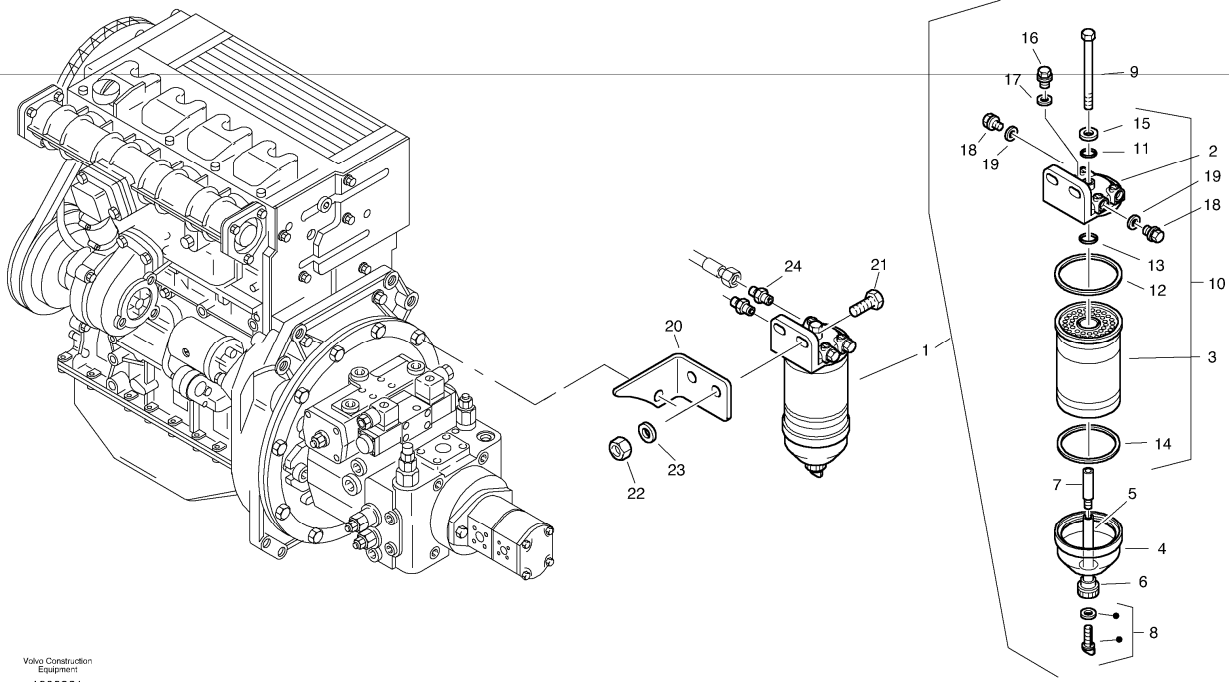
Volvo Construction
Equipment
1013949

Q1-Q5	Option	Option description	
Q1 11306228 11309261			
Q2 11308624			
Q3 15211728			

Pos	Part	Q1	Q2	Q3	Q4	Q5	PS	Kit	Description	Option(s)	Remark
1	ZM2905303	1	1	1					Filter		
2	ZM2905387	1							Fuel load stop		
2	VOE15053949		1	1			SS		Sensor		
3	ZM2904200	1	1	1					•O-ring		
4	VOE15185105	1	1	1					•Solenoid		(ZM2905388)
5	ZM2904201	1	1	1					O-ring		
6	ZM2908513	3	3	3					Screw		

7	VOE15199189	1	1	1					Fuel pump		(VOE11716753)
8	ZM2904201	3	3	3					O-ring		
9	ZM2908513	1	1	1					Screw		

Date: 2013/11/13	Image id: 1000961	Catalogue: 20040	Model: L35B
Brand: Volvo	Serial: 1863000-1869999, 1873000-1879999, 1883000-1889999, 1893000-1899999	Group/Section: 233/200	Title: Filter - Water separator



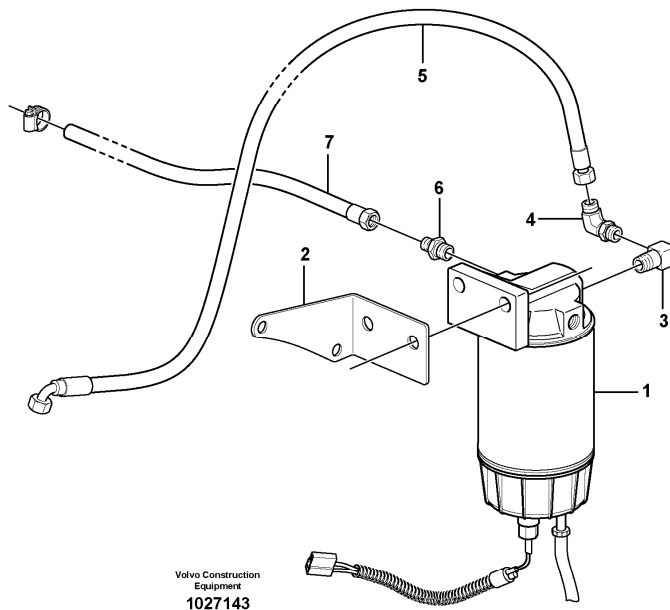
Volvo Construction
Equipment
1000961

Q1-Q5	Option	Option description	
Q1 1863000-			
Q2 1873000-			
Q3 1883000-			
Q4 1893000-			

Pos	Part	Q1	Q2	Q3	Q4	Q5	PS	Kit	Description	Option(s)	Remark
1	ZM2807872	1	1	1	1				Fuel filter		
2	ZM2905307	1	1	1	1		SS		•Filter head		
3	ZM2905298	1	1	1	1				•Filter cartridge		
4	ZM2905299	1	1	1	1				•Sight glass		
5	ZM2905300	1	1	1	1				•Knurled head screw		
6	VOE7242081	1	1	1	1				•Washer		(ZM2905301)
7	ZM2905302	1	1	1	1				•Screw		
8	VOE242595	1	1	1	1				•Plug		(ZM2905304)
9	ZM2910000	1	1	1	1				•Screw		
10	ZM2905306	1	1	1	1				•Gasket set, cpl.		
11	ZM2905308	1	1	1	1				••O-ring		
12	ZM2905309	1	1	1	1				••Gasket		

13	ZM2905310	1	1	1	1				••O-ring		
14	ZM2905311	1	1	1	1				••Gasket		
15	ZM2905312	1	1	1	1				••Washer		
16	ZM2905313	1	1	1	1				•Screw		
17	ZM2164940	1	1	1	1				•Seal		A10x14
18	ZM7099404	2	2	2	2				•Lock Plug		AM14x1,5
19	ZM2905314	2	2	2	2				•Seal		
20	ZM2816411	1	1	1	1				Retainer		
21	VOE983251	2	2	2	2				Hexagon screw		(ZM7094813)M10x25
22	VOE983304	2	2	2	2				Hexagon nut		M10
23	VOE960148	2	2	2	2				Washer		(ZM7098741)B10,5
24	VOE11306928	2	2	2	2				Stud		L10MB

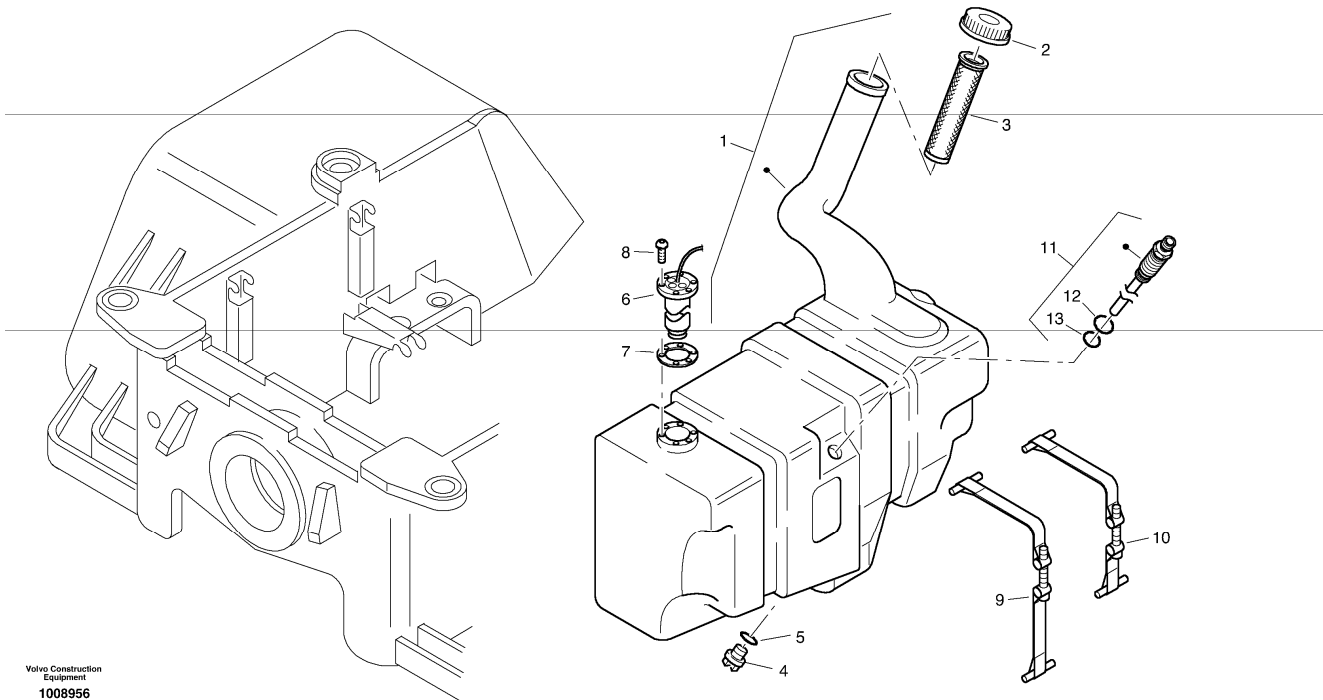
Date: 2013/11/13	Image id: 1027143	Catalogue: 20040	Model: L35B
Brand: Volvo	Serial: 1863000-1869999, 1873000-1879999, 1883000-1889999, 1893000-1899999	Group/Section: 233/250	Title: Fuel heater. 2878995



Section option	Kit	Option description
VOE2878995		Fuel heater

Pos	Part	Q1	Q2	Q3	Q4	Q5	PS	Kit	Description	Option(s)	Remark
1	VOE11306340	1							Water separator		
2	VOE11306014	1							Retainer		
3	VOE11306070	1							Banjo fitting		
4	VOE13945357	1							Elbow nipple		
5		1							Fuel pipe		See ref 235/100
6	VOE11306932	1							Fitting		
7		1							Fuel pipe		See ref 235/100

Date: 2013/11/13	Image id: 1008956	Catalogue: 20040	Model: L35B
Brand: Volvo	Serial: 1863000-1869999, 1873000-1879999, 1883000-1889999, 1893000-1899999	Group/Section: 234/100	Title: Fuel tank



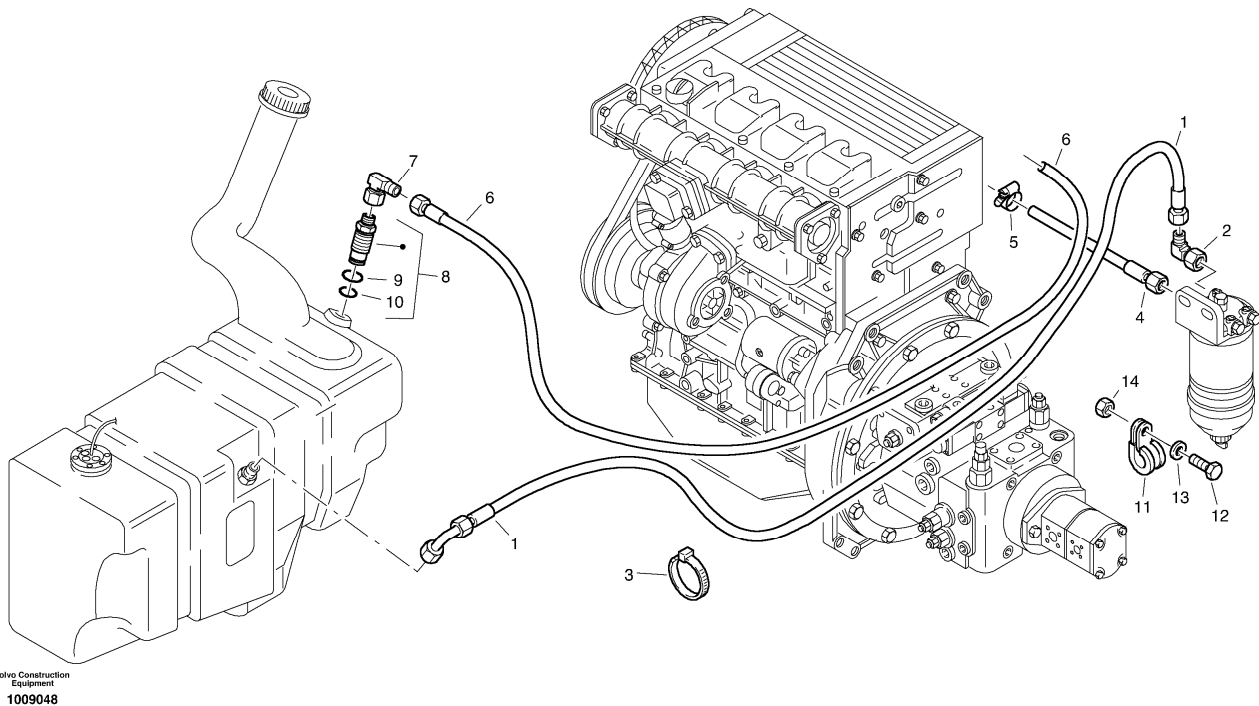
Volvo Construction
Equipment
1008956

Q1-Q5	Option	Option description	
Q1 1863000-			
Q2 1873000-			
Q3 1883000-			
Q4 1893000-			

Pos	Part	Q1	Q2	Q3	Q4	Q5	PS	Kit	Description	Option(s)	Remark
1	VOE11306084	1	1	1	1				Fuel reservoir		
2	ZM2804113	1	1	1	1				•Filler cap		
3	ZM2804112	1	1	1	1				•Fuel strainer		
4	ZM7099428	1	1	1	1				•Screw plug		M18x1,5
5	ZM1086268	1	1	1	1				•O-ring		16x3
6	ZM2805649	1							Fuel level sensor		S/N-1866163
	ZM2805649		1						Fuel level sensor		S/N-1876030
	ZM2805649			1					Fuel level sensor		S/N-1886058
	ZM2805649				1				Fuel level sensor		S/N-1896103
6	VOE15209091	1							Level sensor		S/N 1866164-
	VOE15209091		1						Level sensor		S/N 1876031-
	VOE15209091			1					Level sensor		S/N 1886059-

	VOE15209091				1				Level sensor		S/N 1896104-
7	ZM2906069	1	1	1	1				•Gasket		
8	VOE11305438	6							Screw		(ZM7096666)M4x12 S/ N-1866163
	VOE11305438		6						Screw		M4x12 S/N-1876030
	VOE11305438			6					Screw		M4x12 S/N-1886058
	VOE11305438				6				Screw		M4x12 S/N-1896103
8	VOE956067	6							Cross screw recessed		M4x30 S/N 1866164-
	VOE956067		6						Cross screw recessed		M4x30 S/N 1876031-
	VOE956067			6					Cross screw recessed		M4x30 S/N 1886059-
	VOE956067				6				Cross screw recessed		M4x30 S/N 1896104-
9	ZM2811413	1	1	1	1				Clamp		
10	ZM2811414	1	1	1	1				Clamp		
11	VOE11306081	1	1	1	1				Suction pipe		
12	VOE11370540	1	1	1	1				•O-ring		22x5,5
13	VOE11370541	1	1	1	1				•O-ring		14x5

Date: 2013/11/13	Image id: 1009048	Catalogue: 20040	Model: L35B
Brand: Volvo	Serial: 1863000-1869999, 1873000-1879999, 1883000-1889999, 1893000-1899999	Group/Section: 235/100	Title: Fuel pipes

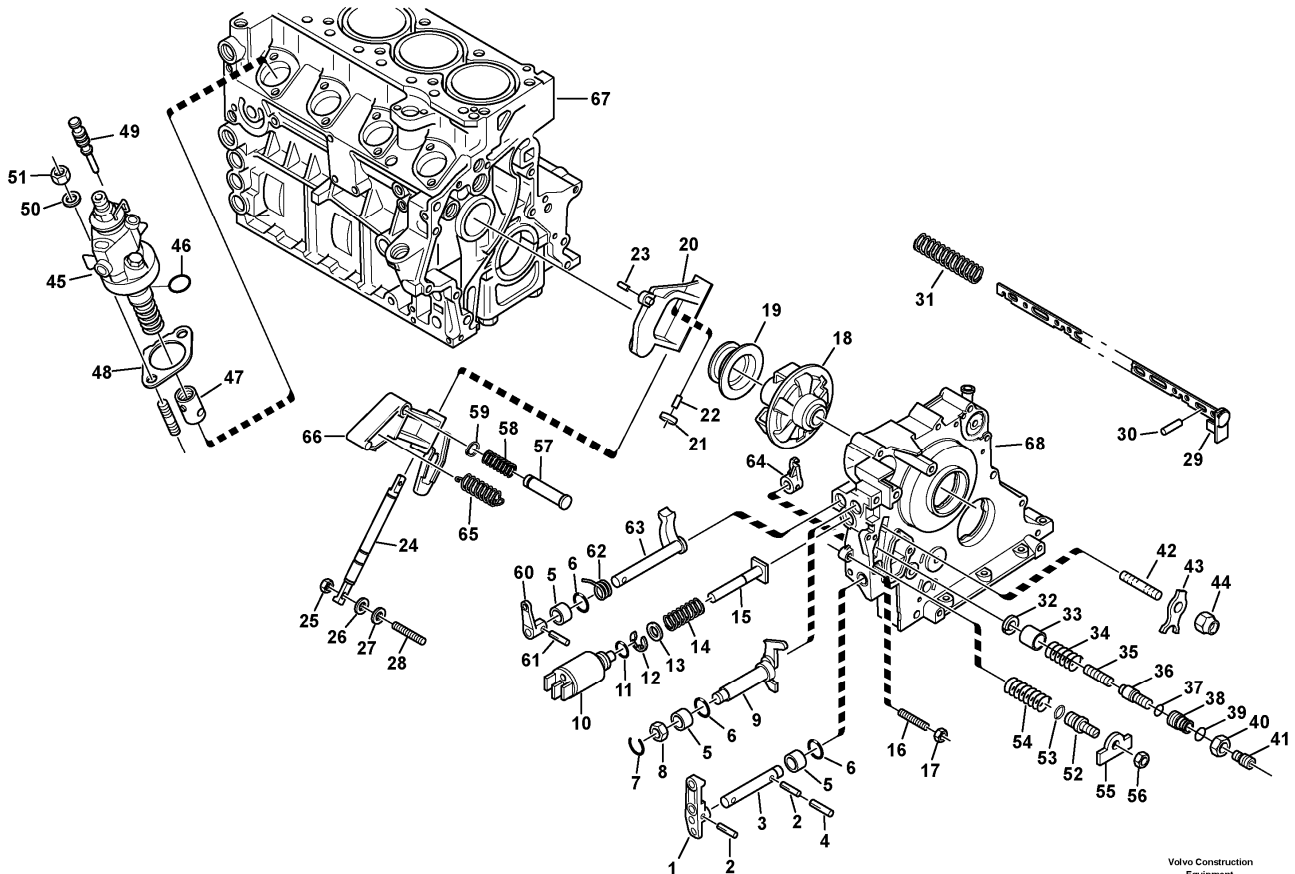


Q1-Q5	Option	Option description	
Q1 1863000-			
Q2 1873000-			
Q3 1883000-			
Q4 1893000-			

Pos	Part	Q1	Q2	Q3	Q4	Q5	PS	Kit	Description	Option(s)	Remark
1	ZM2814822	1	1	1	1				Fuel hose		
2	VOE13945357	1	1	1	1				Elbow nipple		
3	VOE4881438	2	2	2	2				Cable tie		
4	ZM2811483	1	1	1	1				Fuel hose		
5	VOE943470	1	1	1	1				Hose clamp		12x9
6	ZM2814635	1	1	1	1				Fuel hose		
7	VOE13945357	1	1	1	1				Elbow nipple		
8	VOE11306079	1	1	1	1				Fitting		
9	VOE11370540	1	1	1	1				•O-ring		22x5,5
10	VOE11370541	1	1	1	1				•O-ring		14x5
11	VOE952634	1	1	1	1				Clamp		
12	VOE13948356	1	1	1	1				Flange screw		M6x30

13	VOE960139	1	1	1	1				Washer		B6,4
14	VOE945407	1	1	1	1				Flange nut		M6

Date: 2013/11/13	Image id: 1032963	Catalogue: 20040	Model: L35B
Brand: Volvo	Serial: 1863000-1869999, 1873000-1879999, 1883000-1889999, 1893000-1899999	Group/Section: 236/100	Title: Speed adjustment - Fuel injection pump



Volvo Construction
Equipment
1032963

Q1-Q5	Option	Option description	
Q1 11306228 11309261			
Q2 11308624			
Q3 15211728			

Pos	Part	Q1	Q2	Q3	Q4	Q5	PS	Kit	Description	Option(s)	Remark
1	ZM2904077	1	1	1					Lever		
2	ZM7099461	2	2	2					Clamping pin		
3	VOE11370655	1	1	1					Shaft		
4	VOE11370663	1	1	1					Clamping pin		
5	ZM2292251	3	3	3					Sleeve		
6	ZM2291459	3	3	3					O-ring		
7	VOE11370659	1	1	1					Clampring half		

8	VOE11715979	1	1	1					Lock nut		
9	VOE15047485	1	1	1					Intermediate arm		
10	VOE15185105	1	1	1					Solenoid		(ZM2905388)
11	ZM2904200	1	1	1					O-ring		
12	VOE11370650	1	1	1					Lock washer		
13	ZM4010230	1	1	1					Bracket		
14	VOE11370654	1	1	1					Compression spring		
15	VOE15047481	1	1	1					Drift plate		
16	VOE15051912	1	1	1					Set screw		(ZM2291466)M6X50
17	VOE20460939	2	2	2					Hexagon nut		M6
18	VOE15047487	1	1	1			SS		Centrifugal governor		
19	ZM2904079	1	1	1					Sleeve		
20	VOE15010089	1	1	1					Roller		
21	ZM2904081	2	2	2					Ball bearing		608-2Z
22	VOE11715759	2	2	2					Bolt		A8K6X20
23	ZM7098820	1	1	1					Pin		
24	ZM2904080	1	1	1					Axle		
25	VOE20460939	2	2	2					Hexagon nut		M6
26	ZM2291467	2	2	2					Washer		
27	ZM2291465	2	2	2					Washer		
28	VOE11370223	2	2	2					Stud		
29	VOE15038875	1	1	1					Connecting rod		
30	ZM2904085	1	1	1					Fixed pin		
31	ZM2290471	1	1	1					Pressure spring		
	VOE15053945	1	1	1					Nipple		
32		1	1	1			NS		•Snap Ring		14X1
33		1	1	1			NS		•Stop		
34		1	1	1			NS		•Pressure spring		
35		1	1	1			NS		•Screw		
36		1	1	1			NS		•Screw		
37		1	1	1			NS		•Sealing ring		
38		1	1	1			NS		•Adjusting screw		
39		1	1	1			NS		•Sealing ring		
40		1	1	1			NS		•Nut		
41		1	1	1			NS		•Screw		
42	VOE11370248	1	1	1					Stud		
43	ZM2291472	1	1	1					Claw		
44	VOE11370246	1	1	1					Hexagon nut		
45	VOE11716520	REQ							Injection Pump		(VOE11715440)Class A
45	VOE11716521	REQ							Injection Pump		(VOE11715441)Class B
45	VOE11716522	REQ							Injection Pump		(VOE11715442)Class C
45	VOE11716523	REQ							Injection Pump		(VOE11715443)Class D
45	VOE20944608		REQ	REQ					Fuel pump		CLASS A
45	VOE20944610		REQ	REQ					Fuel pump		CLASS B
45	VOE20944611		REQ	REQ					Fuel pump		CLASS C
45	VOE20944614		REQ	REQ					Fuel pump		CLASS D

46	VOE15168954		1	1					•O-ring		(VOE15053637)
47	VOE11370629	4							Cam roller		
47	VOE15184831		4	4					Roller		(VOE15053391)
48	ZM2904128	REQ							Balancer gasket		THICK = 0,35 MM
48	VOE11715911	REQ							Gasket		THICK = 0,40 MM
48	ZM2904129	REQ							Balancer gasket		THICK = 0,45 MM
48	VOE11715912	REQ							Gasket		THICK = 0,50 MM
48	ZM2904130	REQ							Balancer gasket		THICK = 0,55 MM
48	VOE11715913	REQ							Gasket		THICK = 0,60 MM
48	ZM2904131	REQ							Balancer gasket		THICK = 0,65 MM
48	VOE11715914	REQ							Gasket		THICK = 0,70 MM
48	ZM2904132	REQ							Balancer gasket		THICK = 0,75 MM
48	VOE11715915	REQ							Gasket		THICK = 0,80 MM
48	ZM2904133	REQ							Balancer gasket		THICK = 0,85 MM
48	VOE11370625	REQ							Gasket		THICK = 0,90 MM
48	ZM2904134	REQ							Balancer gasket		THICK = 0,95 MM
48	VOE11370626	REQ							Gasket		THICK = 1,00 MM
48	VOE15184828		REQ	REQ					Shim		(VOE15053250)THICK = 0,35 MM
48	VOE15053251		REQ	REQ					Shim		THICK = 0,40 MM
48	VOE15052910		REQ	REQ					Shim		THICK = 0,45 MM
48	VOE15053252		REQ	REQ					Shim		THICK = 0,50 MM
48	VOE15052916		REQ	REQ					Shim		THICK = 0,55 MM
48	VOE15053223		REQ	REQ					Shim		THICK = 0,60 MM
48	VOE15053230		REQ	REQ					Shim		THICK = 0,65 MM
48	VOE15053231		REQ	REQ					Shim		THICK = 0,70 MM
48	VOE15053232		REQ	REQ					Shim		THICK = 0,75 MM
48	VOE15053235		REQ	REQ					Shim		THICK = 0,80 MM
48	VOE15053236		REQ	REQ					Shim		THICK = 0,85 MM
48	VOE15053237		REQ	REQ					Shim		THICK = 0,90 MM
48	VOE15053244		REQ	REQ					Shim		THICK = 0,95 MM
48	VOE15053248		REQ	REQ					Shim		THICK = 1,00 MM
48	VOE17209793		REQ	REQ					Shim		(VOE15053255)THICK = 1,05 MM
48	VOE15053257		REQ	REQ					Shim		THICK = 1,10 MM
48	VOE15053260		REQ	REQ					Shim		THICK = 1,15 MM
49	ZM2904135	4							Plug		
49	VOE15053809		4	4					Plug		
50	VOE20405802	8	8	8					Washer		
51	VOE20405733	8	8	8					Hexagon nut		M8
52	VOE11715890	1	1	1					Cap		
53	ZM2905365	1	1	1					•O-ring		
54	VOE11715774	1	1	1					•Compression spring		
55	ZM2905366	1	1	1					•Washer		
56	VOE11370246	1	1	1					•Hexagon nut		
57	VOE11370259	1	1	1					Stop pin		

Thank you so much for reading.
Please click the “Buy Now!”
button below to download the
complete manual.



After you pay.

You can download the most
perfect and complete manual in
the world immediately.

Our support email:

ebooklibonline@outlook.com