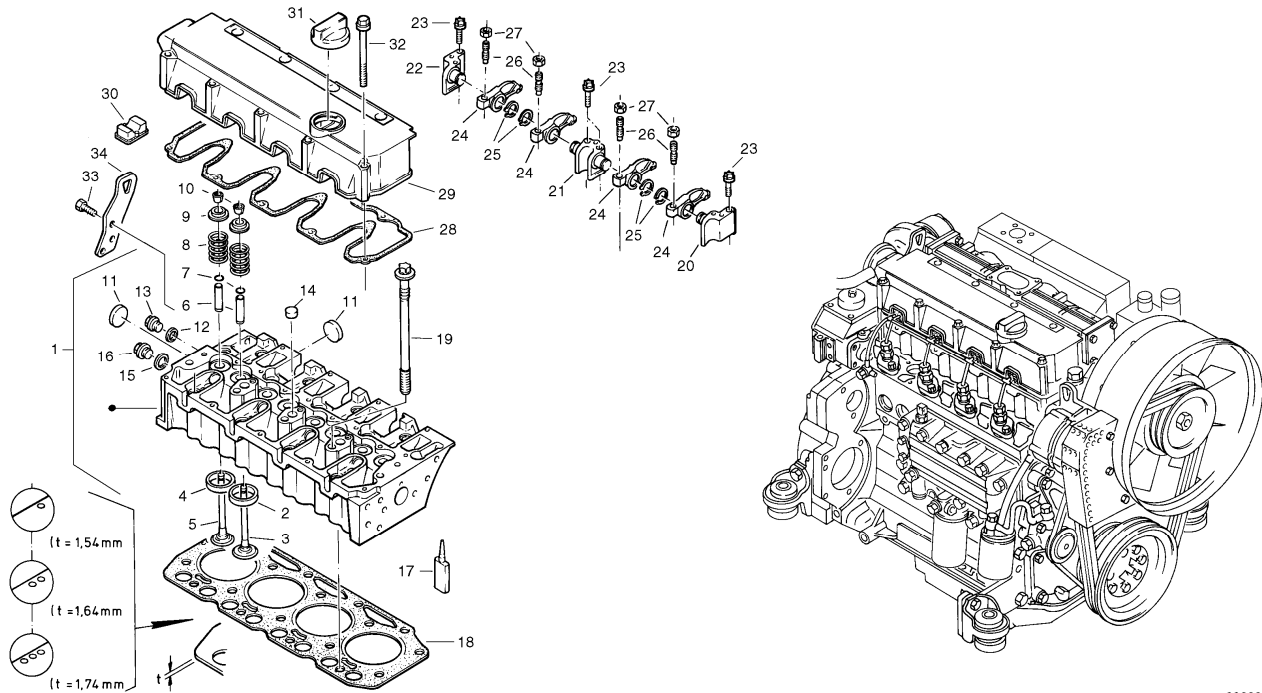


Date: 2013/11/12	Image id: 00000173	Catalogue: 07503	Model: L40
Brand: Volvo	Serial: 1910001-1910158, 1920001-1920337	Group/Section: 211/100	Title: Cylinder head, timing gears



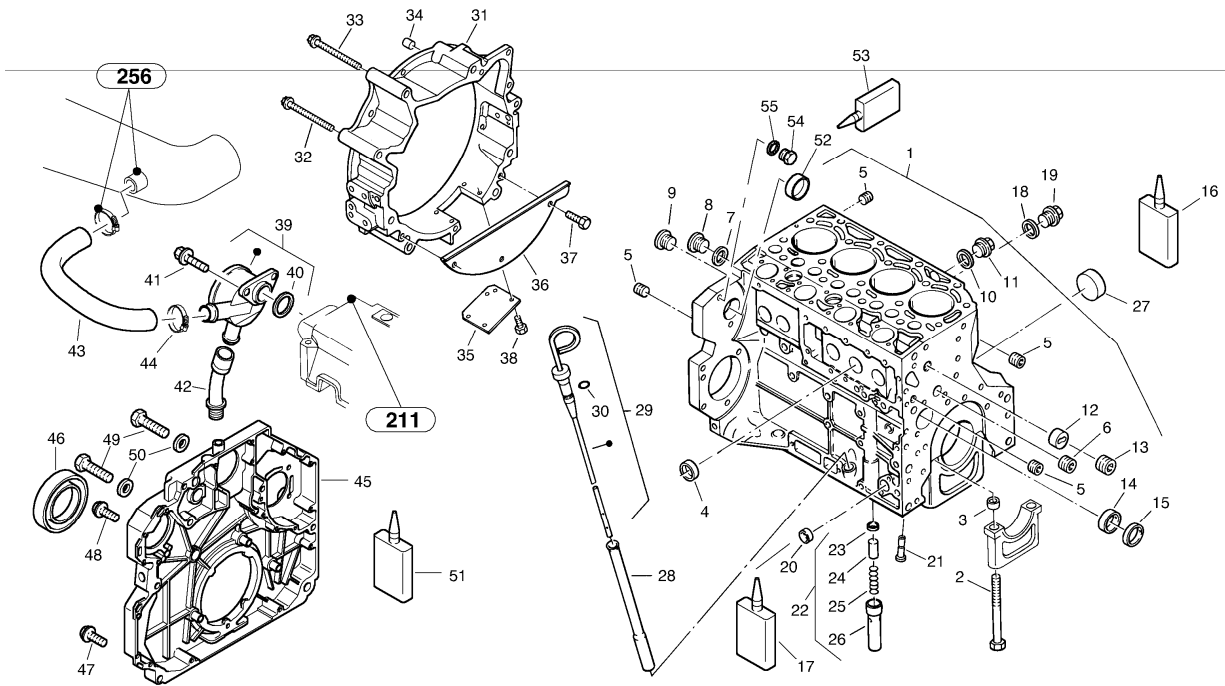
00000173

Q1-Q5	Option	Option description	
Q1 1910001			
Q2 1920001			

Pos	Part	Q1	Q2	Q3	Q4	Q5	PS	Kit	Description	Option(s)	Remark
1	ZM2906921	1	1						Cylinder head, cpl.		
2	VOE20459962	4	4						•••Valve seat		(ZM2904014)
3	VOE20714469	4	4						•••Inlet valve		(ZM2906922)
4	VOE20459963	4	4						•••Valve seat		(ZM2904017)
5	VOE20565912	4	4						•••Exhaust Valve		(ZM2906923)
6	VOE20405897	8	8						•••Valve guide		(ZM2904013)
7	VOE11700348	8	8						•••O-ring		(ZM2904012)
8	VOE11700347	8	8						•••Valve spring		(ZM2904011)
9	VOE11700346	8	8						•••Washer		(ZM2904010)
10	VOE11700345	16	16						•••Valve sleeve		(ZM2904009)
11	VOE20412745	4	4						•••Core plug		(ZM2900271)36
12	ZM7099577	1	1				SS		•••Seal		A10x13,5
13	ZM7099405	1	1				OP		•••Screw		A10x1
14	VOE20412733	3	3						•••Core plug		(ZM3075084)
15	ZM7099503	1	1				SS		•••Seal		A14x18

16	ZM7099404	1	1						•••Lock Plug		AM14x1,5
17	ZM2903912	REQ	REQ					OP	Locking agent		
18	VOE11700335	1	1						Cylinder head gasket		(ZM2903707)1,54 mm
18	VOE11700336	REQ	REQ						Cylinder head gasket		(ZM2903708)1,64 mm
18	VOE11700337	REQ	REQ						Cylinder head gasket		(ZM2903709)1,74 mm
19	VOE11700334	18	18						Screw		(ZM2904018)
20	VOE11700367	1	1						Bearing bracket		(ZM2904022)
21	VOE11700368	1	1						Bearing bracket		(ZM2904023)
22	VOE11700369	1	1						Bearing bracket		(ZM2904024)
23	ZM2292226	14	14					SS	Screw		
24	VOE11700370	8	8						Rocker arm		(ZM2900330)
25	ZM2900450	8	8						Safety ring		21x1,2
26	VOE20405524	8	8						Screw		(ZM3069750)
27	VOE11700373	8	8						Nut		(ZM2290528)
28	VOE20412588	1	1						Gasket		(ZM2903710)
29	ZM2906924	1	1					SS	Valve Cover		
30	VOE20412590	1	1						•••Cap		(ZM2906926)
31	ZM2900334	1	1						Filler cap		
32	ZM2906925	9	9					SS	Screw		
33	ZM5225782	3	3						Screw		
34	ZM2900487	1	1						Plate		

Date: 2013/11/12	Image id: 00000178	Catalogue: 07503	Model: L40
Brand: Volvo	Serial: 1910001-1910158, 1920001-1920337	Group/Section: 212/100	Title: Engine casing, Ventilation



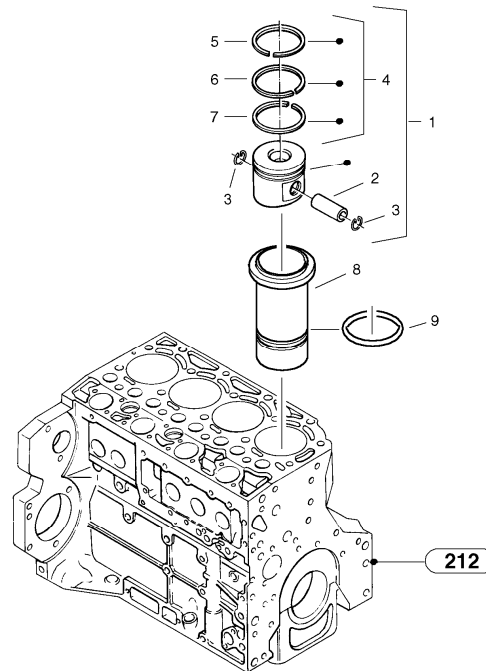
00000178

Q1-Q5	Option	Option description	
Q1 1910001			
Q2 1920001			

Pos	Part	Q1	Q2	Q3	Q4	Q5	PS	Kit	Description	Option(s)	Remark
1	ZM2906912	1	1				SS		Crankcase, cpl.		
2	VOE20405583	10	10						••Bolt		(ZM2903905)
3	VOE11700278	10	10						••Bushing		(ZM2903906)
4	ZM2900270	6	6				SS		••Closure		
5	VOE20405718	3	3						••Plug		(ZM2905342)
6	VOE20405717	1	1						••Plug		(ZM2906913)
7	ZM7099503	1	1				SS		••Seal		A14x18
8	ZM5225665	1	1				OP		••Screw		M14x1,5
9	VOE21041648	4	4						••Plug		(ZM2903909)
10	ZM7099503	1	1				SS		••Seal		A14x18
11	ZM2905904	1	1						••Screw		M14x1,5
12	VOE20405584	1	1						••Guide sleeve		(ZM2900272)
13	VOE20405717	1	1						••Plug		(ZM2906913)
14	VOE11700285	1	1						••Bearing bushing		(ZM2903908)
15	VOE11700284	4	4						••Bearing bushing		(ZM2903907)

16	ZM2903912	1	1				OP		Locking agent		
17	ZM2904058	1	1						Locking agent		
18	ZM7099503	1	1				SS		Seal		A14x18
19	ZM7099404	1	1						Lock Plug		AM14x1,5
20	VOE20412745	1	1						Core plug		(ZM2900271)36
21	ZM2903920	1	1				OP		Jet		
22	VOE11700271	1	1						Delivery valve		(ZM2903913)
23	VOE20405904	1	1						••Ring		(ZM2903917)
24	ZM2906910	1	1				OP		••Valve piston		
25	VOE20405896	1	1						••Compression spring		(ZM2903914)
26	ZM2906911	1	1						••Sleeve		
27	VOE20405986	1	1						Core plug		(ZM2900277)
28	VOE20450869	1	1						Guide tube		(ZM2903918)
29	ZM2907940	1	1						Oil dipstick		
30	VOE20412343	1	1						••Sealing ring		(ZM4077350)
31	ZM2907352	1	1						Housing		
32	VOE20405714	2	2						Screw		(ZM2903921)
33	VOE20405715	4	4						Screw		(ZM2903922)
34	VOE20405887	2	2						Bushing		(ZM2900279)
35	ZM2900282	1	1						Cover plate		
36	ZM2907353	1	1						Cover		
37	ZM7095067	3	3				SS		Screw		M6x10
38	VOE955269	4	4						Hexagon screw		(ZM8095001)M6x12
39	VOE20405626	1	1						Regulator		(ZM2900916)
40	VOE20405627	1	1						••Gasket		(ZM2903376)
41	VOE20450728	2	2						Bolt		(ZM2905155)
42	VOE20405625	1	1						Rubber sleeve		(ZM2905150)
43	VOE20405629	1	1						Hose		(ZM2900349)
44	VOE20405755	1	1						Clamping band		(ZM2900297)
45	ZM2906927	1	1				SS		Wheel box		
46	VOE20412286	1	1						Sealing ring		(ZM2903931)
47	ZM2904031	12	12						Screw		
48	VOE20405709	4	4						Screw		(ZM2906928)
49	ZM8097031	2	2				OP		Screw		M16x60
50	VOE13955900	2	2						Washer		(ZM7098746)A17
51	ZM2903828	REQ	REQ				OP		Locking agent		
52	ZM3075082	1	1				SS		Cap		
53	VOE20464471	REQ	REQ						Locking fluid		(ZM2903718)
54	VOE20441859	2	2						Plug		(ZM4053520)
55	ZM7099577	2	2				SS		Seal		A10x13,5

Date: 2013/11/12	Image id: 00000164	Catalogue: 07503	Model: L40
Brand: Volvo	Serial: 1910001-1910158, 1920001-1920337	Group/Section: 213/100	Title: Cylinder bush and piston

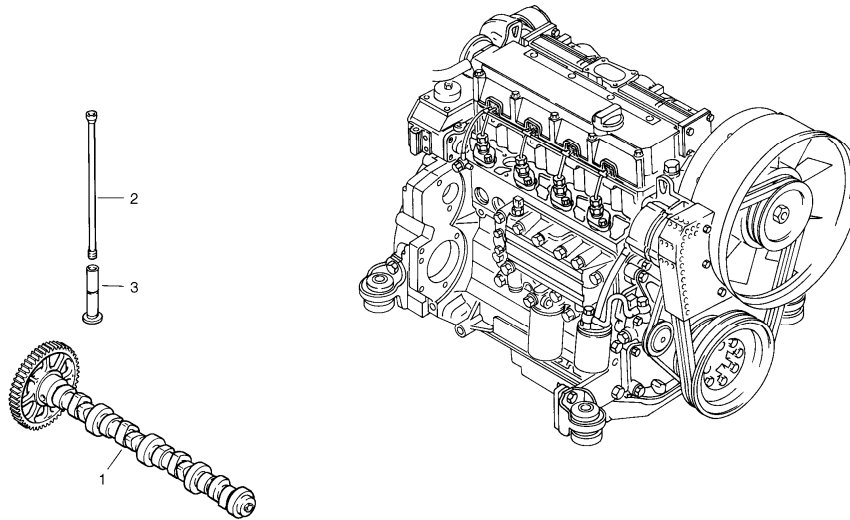


00000164

Q1-Q5	Option	Option description	
Q1 1910001			
Q2 1920001			

Pos	Part	Q1	Q2	Q3	Q4	Q5	PS	Kit	Description	Option(s)	Remark
1	ZM2906918	4	4						Piston		
2	VOE20405577	1	1						•••Gudgeon pin		(ZM2903966)
3	VOE20405576	2	2						•••Retaining ring		(ZM2903967)
4	VOE20405571	1	1						•••Piston ring set		(ZM2906919)
5	ZM2906920	1	1						•••Ring		
6	ZM2903970	1	1						•••Ring		
7	ZM2903971	1	1				OP		•••Ring		
8	ZM2903910	REQ	REQ						Cylinder liner		
9	ZM2903911	2	2						O-ring		

Date: 2013/11/12	Image id: 00000169	Catalogue: 07503	Model: L40
Brand: Volvo	Serial: 1910001-1910158, 1920001-1920337	Group/Section: 215/100	Title: Camshaft

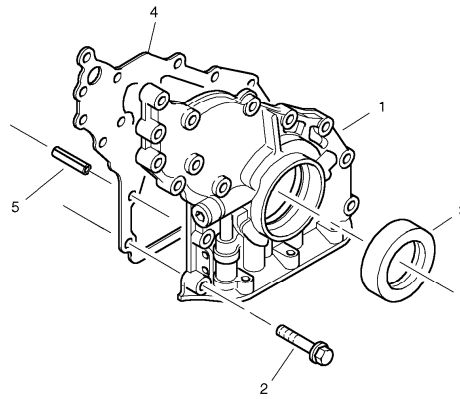
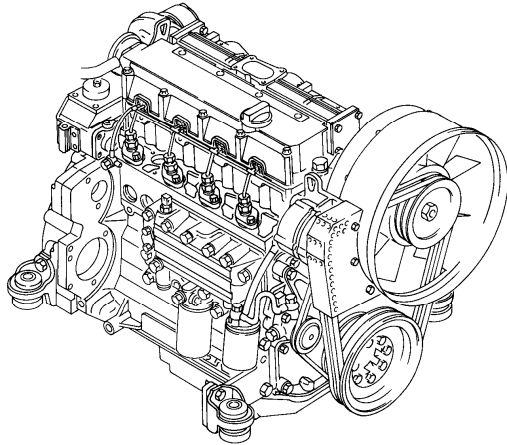


00000169

Q1-Q5	Option	Option description	
Q1 1910001			
Q2 1920001			

Pos	Part	Q1	Q2	Q3	Q4	Q5	PS	Kit	Description	Option(s)	Remark
1	VOE20412338	1	1						Camshaft		(ZM2906929)
2	VOE20405534	8	8						Push rod		(ZM2906930)
3	ZM2904021	8	8						Tappet		

Date: 2013/11/12	Image id: 00000172	Catalogue: 07503	Model: L40
Brand: Volvo	Serial: 1910001-1910158, 1920001-1920337	Group/Section: 2153/100	Title: Timing gear housing (front cover with oil pump)

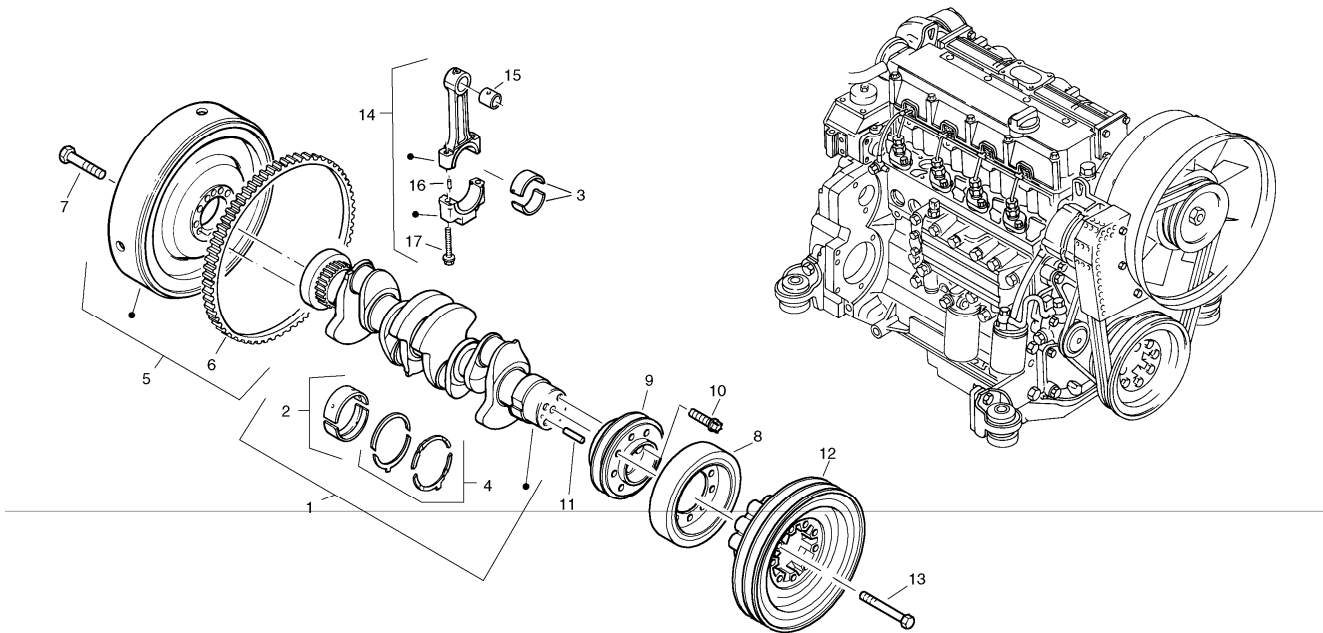


00000172

Q1-Q5	Option	Option description	
Q1 1910001			
Q2 1920001			

Pos	Part	Q1	Q2	Q3	Q4	Q5	PS	Kit	Description	Option(s)	Remark
1	VOE20515177	1	1						Front Cover		(ZM2906915)
2	VOE20412324	14	14						Screw		(ZM2900301)
3	ZM2903929	1	1						Gasket		
4	VOE11700265	1	1				SS		Gasket		(ZM2903927)
5	VOE20405603	1	1						Spring pin		(ZM2902626)

Date: 2013/11/12	Image id: 00016501	Catalogue: 07503	Model: L40
Brand: Volvo	Serial: 1910001-1910158, 1920001-1920337	Group/Section: 216/100	Title: Crankshaft



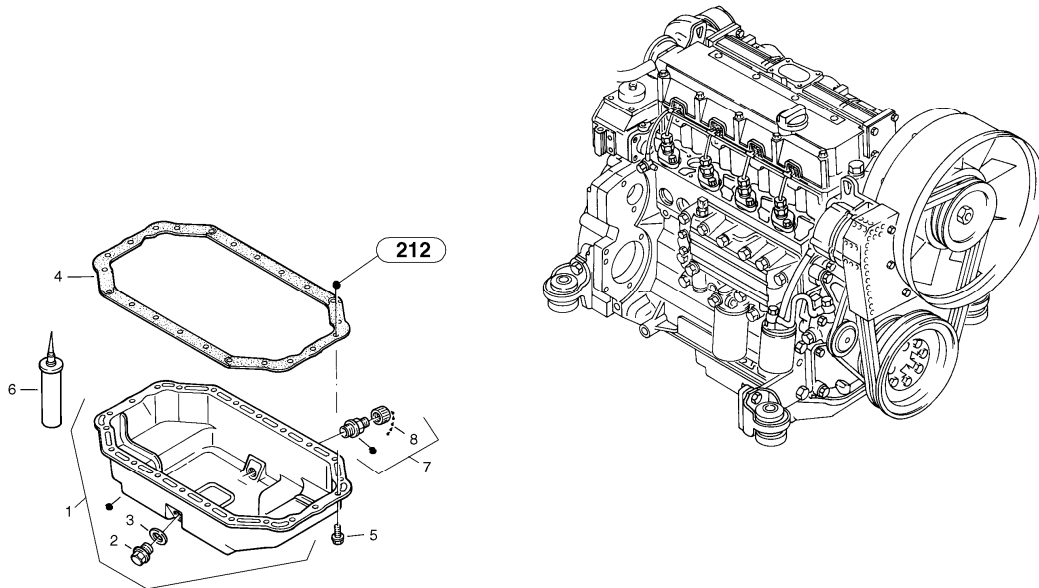
00016501

Q1-Q5	Option	Option description	
Q1 1910001			
Q2 1920001			

Pos	Part	Q1	Q2	Q3	Q4	Q5	PS	Kit	Description	Option(s)	Remark
1	ZM2906917	1	1						Crank mechanism		
1	VOE20900811	1	1						Crankshaft		(ZM2907369)
2	VOE20405541	REQ	REQ						••Main bearing		(ZM2903950)84,50 mm
2	VOE20405529	REQ	REQ						••Main bearing		(ZM2903949)84,75 mm
2	VOE21141948	5	5						••Main bearing		(VOE20405516)85,00 mm
3	VOE11700318	REQ	REQ						••Big end bearing		(ZM2903957)67,50 mm
3	VOE20717211	REQ	REQ						••Big-end Bearing		(ZM2903956)67,75 mm
3	ZM2903954	4	4						••Big end bearing		68,00 mm
4	ZM2903951	1	1				SS		••Washer		2,9 mm
4	VOE11700315	REQ	REQ						••Thrust washer kit		(ZM2903952)3,1 mm
5	VOE20459128	1	1						Flywheel		(ZM2901148)
6	ZM4050611	1	1						••Gear ring		
7	VOE20405654	10	10						Bolt		(ZM2904027)
8	VOE20459925	1	1						Vibration absorber		(ZM2903958)

9	VOE24426685	1	1						Pulley		(ZM2907017)
10	VOE20460199	4	4						Screw		(ZM2900482)
11	ZM2907018	1	1						Clamping Sleeve		
12	ZM2906916	1	1						V-belt Pulley		
13	ZM2286807	9	9						Screw		M10x95
14	VOE20585982	4	4						Connecting Rod		(ZM2907019)
15	VOE11700325	1	1						••Bushing		(ZM2903963)
16	ZM8099386	2	2				OP		••Pin		5x10
17	VOE11700326	2	2						••Bolt		(ZM2903964)

Date: 2013/11/12	Image id: 00000161	Catalogue: 07503	Model: L40
Brand: Volvo	Serial: 1910001-1910158, 1920001-1920337	Group/Section: 217/100	Title: Oil sump

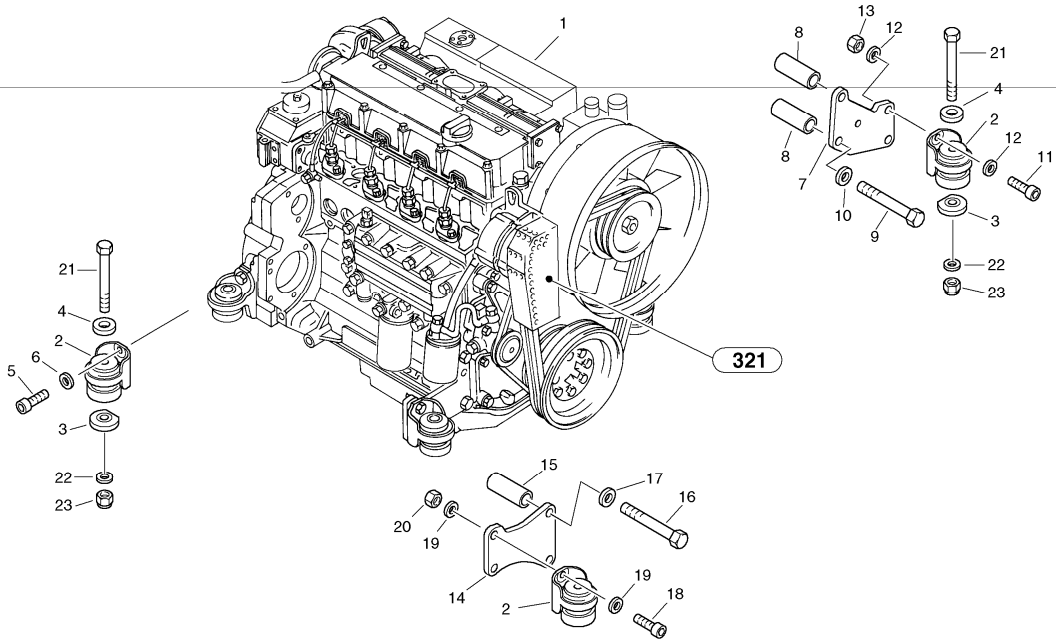


00000161

Q1-Q5	Option	Option description	
Q1 1910001			
Q2 1920001			

Pos	Part	Q1	Q2	Q3	Q4	Q5	PS	Kit	Description	Option(s)	Remark
1	VOE11700301	1	1						Oil pan		(ZM2903924)
2	VOE20405506	1	1						••Plug		(ZM8099415)M18x1,5
3	VOE13947624	1	1						•••Plane gasket		(ZM7099511)A18x24
4	VOE20405843	1	1						Gasket		(ZM2903925)
5	ZM2900290	26	26						Screw		
6	ZM2903926	REQ	REQ						Sealing compound		
7	ZM4384256	1	1						Valve		
8	ZM2285689	1	1						•••Chain with cap		

Date: 2013/11/12	Image id: 00000312	Catalogue: 07503	Model: L40
Brand: Volvo	Serial: 1910001-1910158, 1920001-1920337	Group/Section: 218/100	Title: Engine assy



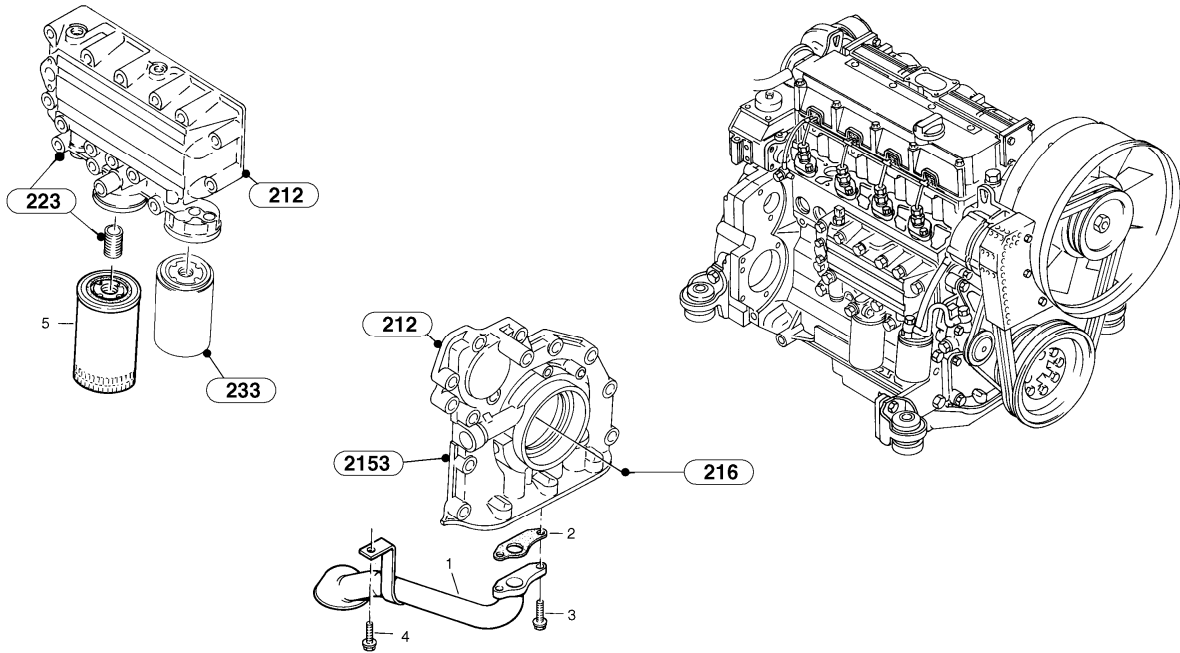
00000312

Q1-Q5	Option	Option description	
Q1 1910001			
Q2 1920001			

Pos	Part	Q1	Q2	Q3	Q4	Q5	PS	Kit	Description	Option(s)	Remark
1	ZM2810923	1					SS		Engine, cpl.		-1910108
1	ZM2807627		1				SS		Engine, cpl.		-1920219
1	ZM2810933	1							Engine, cpl.		1910109-
1	ZM2810932		1						Engine, cpl.		1920220-
2	ZM2908242	2	2						•Mounting kit		
3	VOE20580876	4	4						•Spacer		(VOE20714942)21 mm
3	ZM4056150	4	4				SS		Plate		24 mm
4	VOE20580526	4	4						•Washer		(ZM4057641)
5	VOE11306210	4	4						•Allen Head Screw		(ZM7096563)M12x30
6	ZM3067462	4	4				SS		•Washer		
7	ZM2907045	1	1				OP		•Engine Bracket		
8	VOE20580517	2	2						•Bushing		(ZM2907044)
9	VOE980465	2	2						•Hexagon screw		(ZM7097027)M16x110
10	VOE13955900	2	2						•Washer		(ZM2901225)A17
11	VOE11305061	2	2						•Allen Hd Screw		(ZM7096560)M12x35

12	ZM3067462	4	4				SS		•Washer		
13	VOE979019	2	2						•Hexagon nut		(ZM7098015)M12
14	ZM2907548	1	1				OP		•Engine Bracket		
15	VOE20580517	2	2						•Bushing		(ZM2907044)
16	VOE980465	2	2						•Hexagon screw		(ZM7097027)M16x110
17	ZM2907549	2	2						•Washer		
18	VOE11305061	2	2						•Allen Hd Screw		(ZM7096560)M12x35
19	ZM3067462	4	4				SS		•Washer		
20	VOE979019	2	2						•Hexagon nut		(ZM7098015)M12
21	ZM7096609	4	4						Tube		M12x130
22	ZM4333064	4	4						Washer		13
23	ZM4334181	4	4						Nut		VM12

Date: 2013/11/12	Image id: 00000170	Catalogue: 07503	Model: L40
Brand: Volvo	Serial: 1910001-1910158, 1920001-1920337	Group/Section: 220/100	Title: Oil pump, oil filter

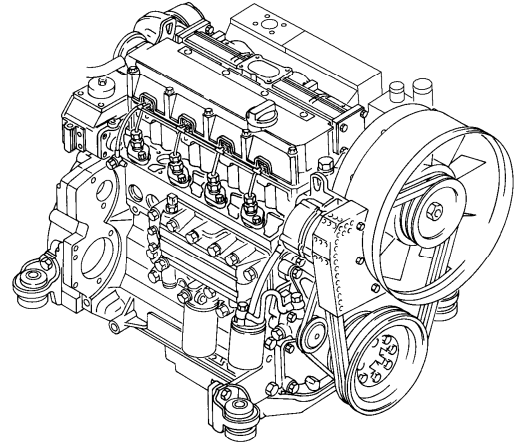
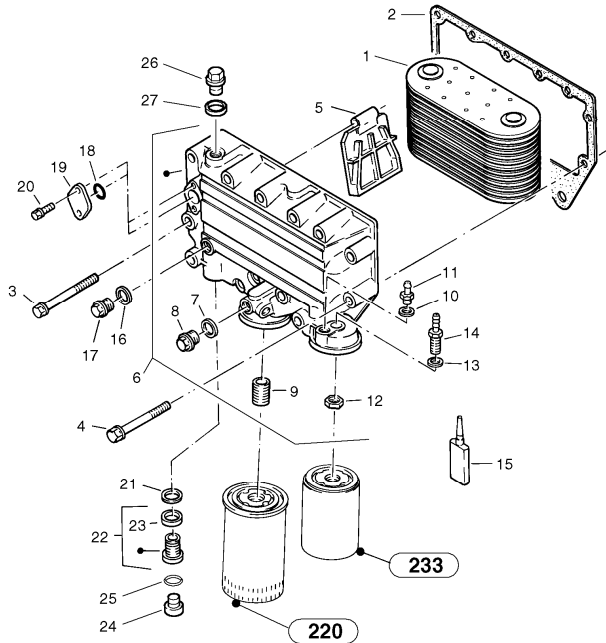


00000170

Q1-Q5	Option	Option description	
Q1 1910001			
Q2 1920001			

Pos	Part	Q1	Q2	Q3	Q4	Q5	PS	Kit	Description	Option(s)	Remark
1	VOE20405635	1	1						Suction pipe		(ZM2903933)
2	VOE20405888	1	1						Gasket		(ZM2900387)
3	VOE20481759	2	2				SS		Screw		(ZM2908411)
4	VOE20460386	1	1				SS		Screw		(ZM2906938)
5	ZM4050740	1	1						Oil filter		

Date: 2013/11/12	Image id: 00000176	Catalogue: 07503	Model: L40
Brand: Volvo	Serial: 1910001-1910158, 1920001-1920337	Group/Section: 223/100	Title: Engine - oil cooler



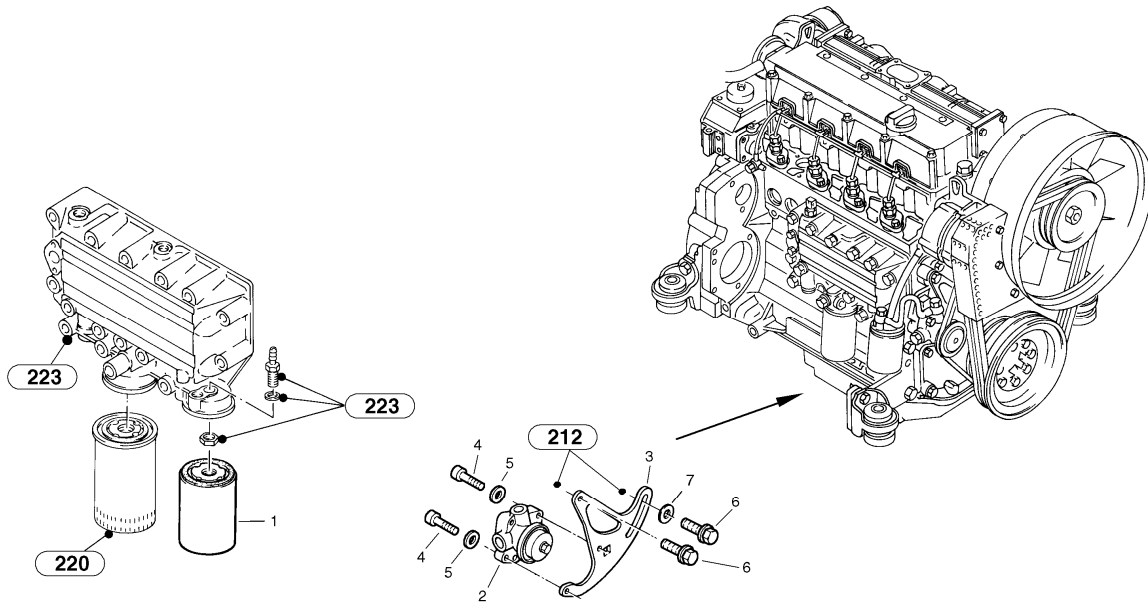
00000176

Q1-Q5	Option	Option description	
Q1 1910001			
Q2 1920001			

Pos	Part	Q1	Q2	Q3	Q4	Q5	PS	Kit	Description	Option(s)	Remark
1	VOE20715675	1	1						Oil Cooler		(ZM2906937)
2	VOE20405747	1	1						Gasket		(ZM2903937)
3	ZM2905896	10	10						Screw		
4	VOE20405672	3	3						Screw		(ZM2905895)
5	VOE20405744	1	1						Shut off flap		(ZM2903938)
6	VOE20485258	1	1				SS		Housing		(ZM2906936)
7	ZM8099570	1	1						•••Gasket		A10x16
8	VOE20460239	1	1						•••Plug		(ZM7099407)CM10x1
9	VOE20405758	1	1						•••Bushing		(ZM2900388)
10	ZM7099503	1	1				SS		Seal		A14x18
11	ZM2903716	1	1						Hose nipple		
12	ZM7098041	1	1				OP		Nut		M16x1,5
13	VOE13947622	1	1						Plane gasket		(ZM7099500)A16x20
14	ZM2903717	1	1						Hose sleeve		
15	VOE20464471	REQ	REQ						Locking fluid		(ZM2903718)

16	ZM8099572	1	1						Gasket		A18x22
17	VOE20405506	1	1						Plug		(ZM8099415)M18x1,5
18	VOE20405599	1	1						Sealing ring		(ZM2907354)
19	VOE11700609	1	1						Cover		(ZM2901219)
20	VOE20460241	2	2						Screw		(ZM7095520)M8x22
21	VOE20460240	2	2						Sealing ring		(ZM2906935)A26x31
22	VOE20405752	2	2						Screw		(ZM2906933)
23	VOE20405569	2	2						•••Sealing		(ZM2903936)
24	ZM7099426	2	2				OP		Plug		
25	VOE20405578	2	2						Sealing ring		(ZM2906934)
26	ZM8099418	2	2				OP		Screw		
27	VOE20460240	2	2						Sealing ring		(ZM2906935)A26x31

Date: 2013/11/12	Image id: 00000171	Catalogue: 07503	Model: L40
Brand: Volvo	Serial: 1910001-1910158, 1920001-1920337	Group/Section: 233/100	Title: Fuel filter - Feed pump

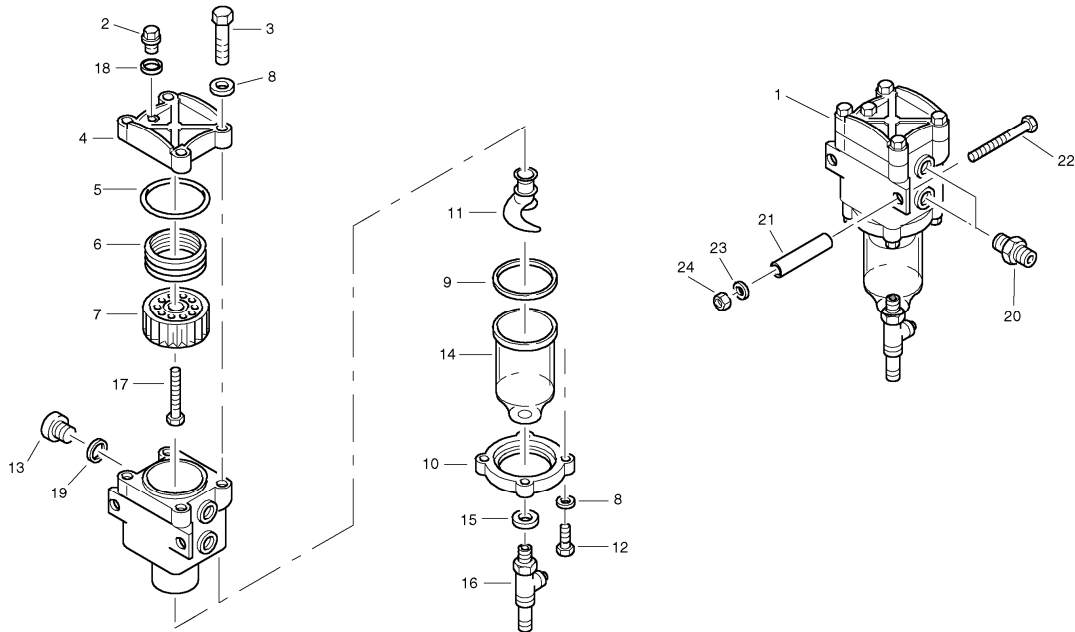


00000171

Q1-Q5	Option	Option description	
Q1 1910001			
Q2 1920001			

Pos	Part	Q1	Q2	Q3	Q4	Q5	PS	Kit	Description	Option(s)	Remark
1	VOE11706667	1	1						Fuel filter		(ZM2905052)
2	ZM2903843	1	1						Fuel pump		
3	VOE20405708	1	1						Bracket		(ZM2905157)
4	ZM7096583	2	2						Screw		M8x25
5	VOE20460063	2	2						Spring washer		(ZM7098657)A8
6	VOE983242	2	2						Hexagon screw		(ZM7095517)M8x20
7	VOE11305837	1	1						Washer		(ZM7090940)B 8,4

Date: 2013/11/12	Image id: 00000198	Catalogue: 07503	Model: L40
Brand: Volvo	Serial: 1910001-1910158, 1920001-1920337	Group/Section: 23341/100	Title: Filter - Water separator



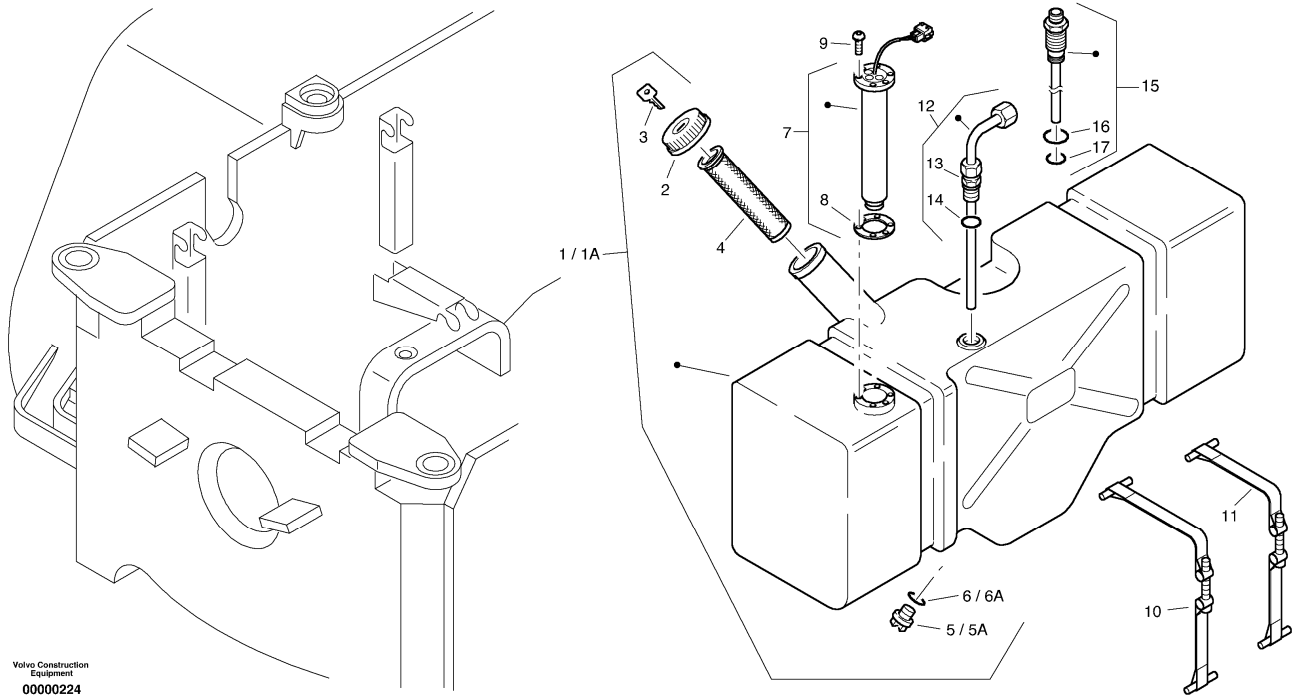
00000198

Q1-Q5	Option	Option description	
Q1 1910001			
Q2 1920001			

Pos	Part	Q1	Q2	Q3	Q4	Q5	PS	Kit	Description	Option(s)	Remark
1	ZM2805621	1	1						Water separator		
2	ZM2903684	1	1						•Release screw		
3	ZM2903685	4	4						•Screw		
4	ZM2903686	1	1						•Cover		
5	ZM2903687	1	1						•Sealing		
6	ZM2903688	1	1						•Spring		
7	ZM2903689	1	1						•Filter insert		
8	ZM2903690	4	4						•Washer		
9	ZM2903691	1	1						•Sealing		
10	ZM2903692	1	1						•Retaining ring		
11	ZM2903693	1	1						•Centrifuge		
12	ZM2903694	1	1						•Screw		
13	ZM2903695	1	1						•Plug		
14	ZM2903696	1	1						•Tank		
15	ZM2903697	1	1						•Gasket		

16	ZM2903698	1	1						•Outlet cock		
17	ZM2903699	1	1				OP		•Screw		
18	ZM2903700	1	1						•Gasket		
19	ZM2903701	1	1						•Gasket		
20	VOE11306785	2	2						Fitting		(ZM4339808)
21	ZM2165610	2	2						Pipe		
22	VOE14370276	2	2						Screw		(ZM8095506)M8x60
23	ZM7098750	2	2				SS		Washer		B 8,4
24	ZM7098010	2	2						Nut		M8

Date: 2013/11/12	Image id: 00000224	Catalogue: 07503	Model: L40
Brand: Volvo	Serial: 1910001-1910158, 1920001-1920337	Group/Section: 234/100	Title: Fuel tank



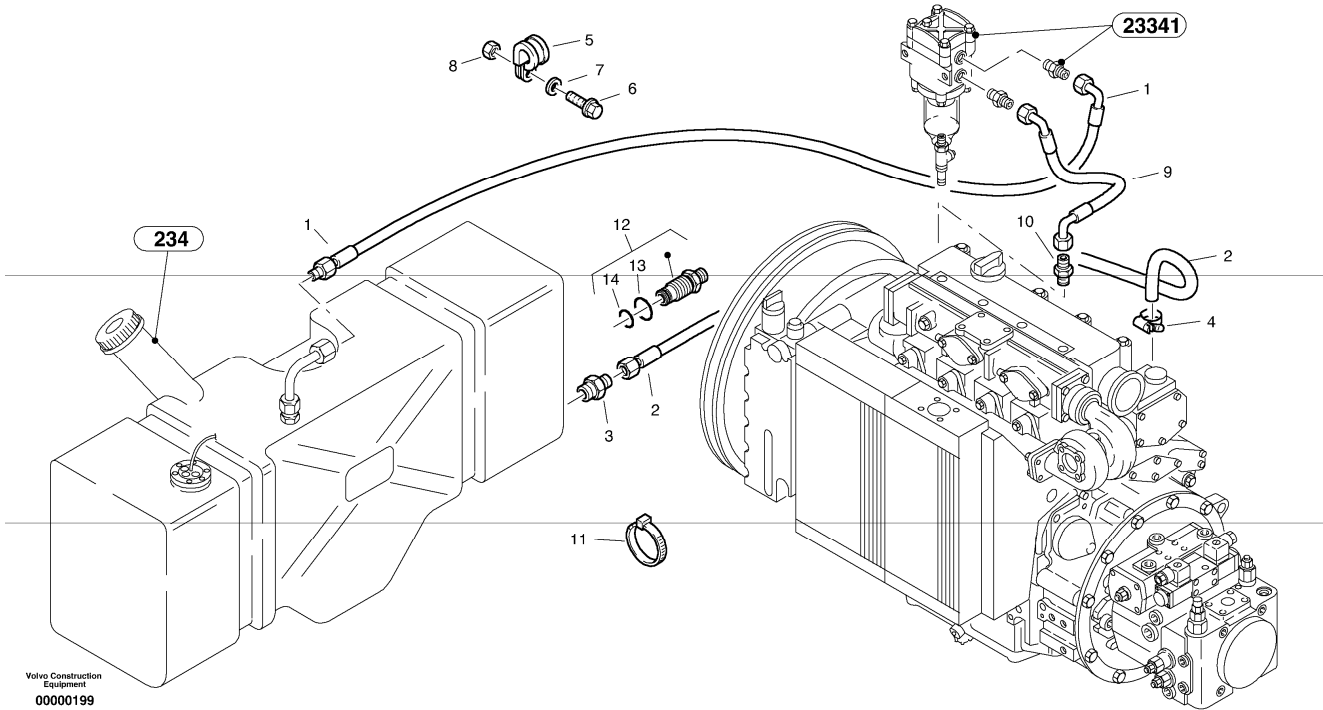
Volvo Construction
Equipment
00000224

Q1-Q5	Option	Option description	
Q1 1910001			
Q2 1920001			

Pos	Part	Q1	Q2	Q3	Q4	Q5	PS	Kit	Description	Option(s)	Remark
1	VOE11370526	1	1						Conversion kit		-1911119, -1921326
1A	VOE11306054	1	1						Fuel reservoir		1911120-, 1921327-
2	ZM2908944	1	1						•Tank cover		
4	ZM2804112	1	1						•Fuel strainer		
5	ZM2807633	1	1						•Plug		-1911119, -1921326
5A	ZM7099428	1	1						•Screw plug		1911120-, 1921327-
6	ZM4380412	1	1						•O-ring		17x2,5 -1911119, -1921326
6A	ZM1086268	1	1						•O-ring		1911120-, 1921327-
7	ZM2805650	1	1						Fuel level sensor		
8	ZM2906069	1	1						••Gasket		
9	VOE11305438	6	6						Screw		(ZM7096666)M4x12
10	ZM2811423	1	1						Clip		
11	ZM2811413	1	1						Clamp		
12	ZM2812636	1	1						Suction pipe		-1911119, -1921327

13	ZM2811249	1	1						•Pipe end		-1911119, -1921326
14	ZM2906070	1	1						••O-ring		13,4x2,1
15	VOE11306080	1	1						Suction pipe		1911120-, 1921327-
16	VOE11370540	1	1						•O-ring		22x5,5
17	VOE11370541	1	1						•O-ring		14x5

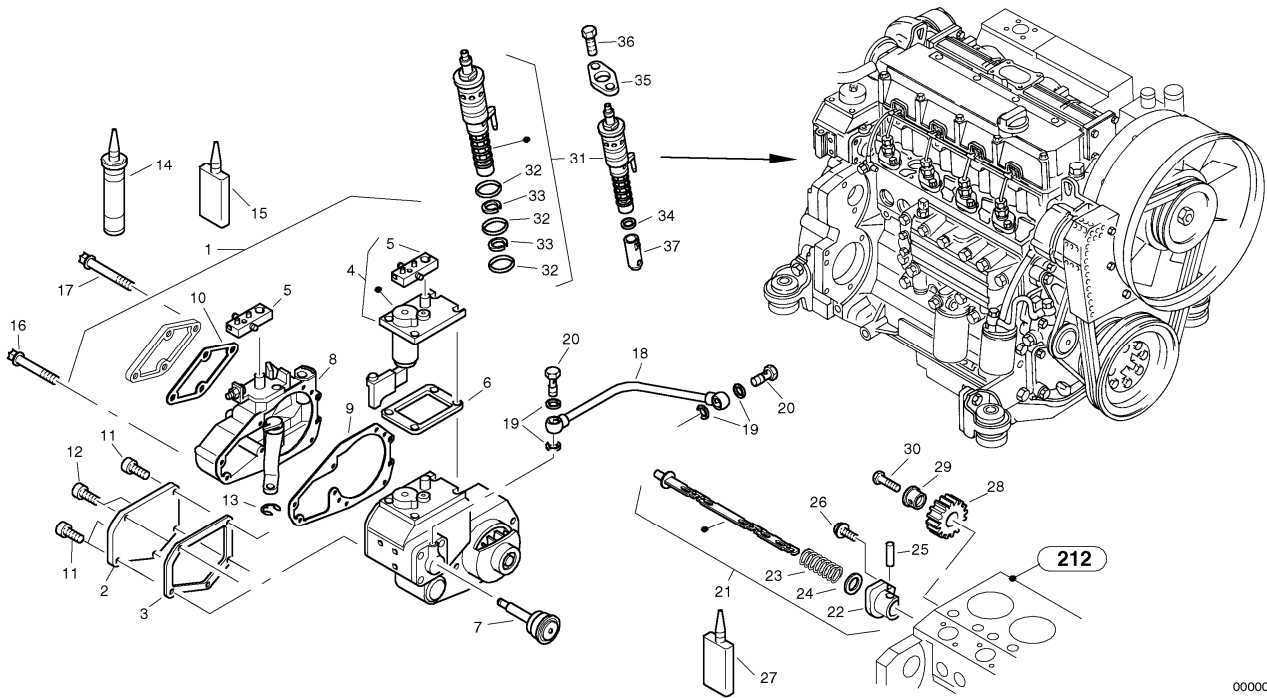
Date: 2013/11/12	Image id: 00000199	Catalogue: 07503	Model: L40
Brand: Volvo	Serial: 1910001-1910158, 1920001-1920337	Group/Section: 235/100	Title: Fuel pipes



Q1-Q5	Option	Option description	
Q1 1910001			
Q2 1920001			

Pos	Part	Q1	Q2	Q3	Q4	Q5	PS	Kit	Description	Option(s)	Remark
1	ZM2813358	1	1						Fuel hose (suction)		
2	ZM2817351	1	1						Hose		(ZM2812538)
3	ZM2811249	1	1						Pipe end		-1911119, -1921326
4	ZM2060781	1	1						Clip		12x9
5	ZM5054800	5	5						Clip		D1-16X20
6	ZM2804624	1	1						Screw		M6x20
7	ZM2803439	1	1						Washer		B6,4
8	ZM7098000	1	1						Nut		M6
9	ZM2813359	1	1						Fuel hose		
10	ZM2806536	1	1						Nipple		
11	ZM2193590	6	6						Cable clip		
12	VOE11306079	1	1						Fitting		1911120-, 1921327-
13	VOE11370540	1	1						•O-ring		22x5,5
14	VOE11370541	1	1						•O-ring		14x5

Date: 2013/11/12	Image id: 00000189	Catalogue: 07503	Model: L40
Brand: Volvo	Serial: 1910001-1910158, 1920001-1920337	Group/Section: 236/100	Title: Speed adjustment - Fuel injection pump



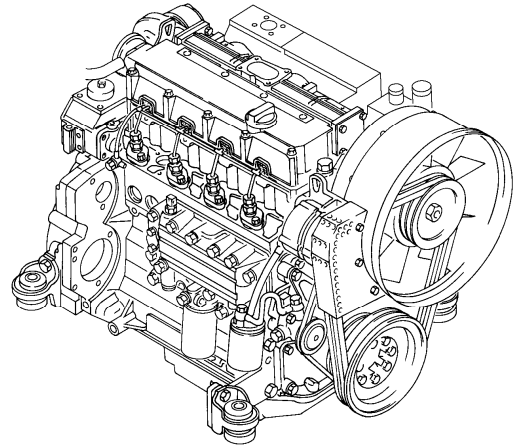
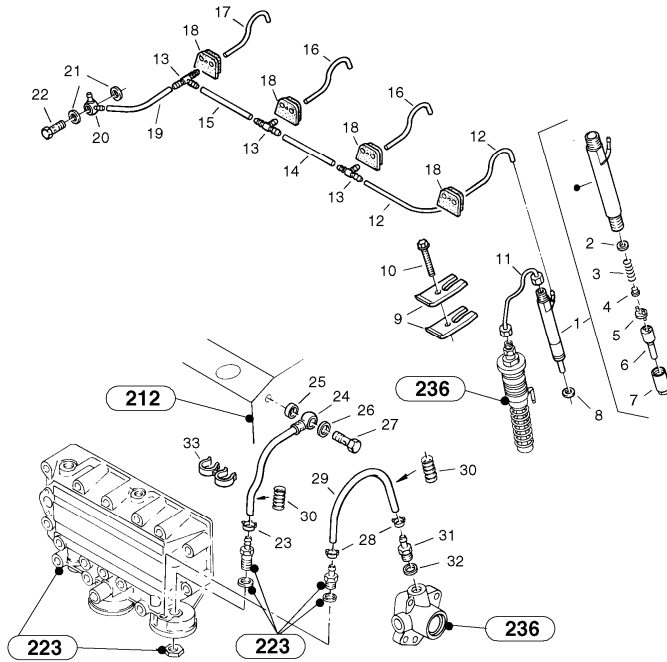
00000189

Q1-Q5	Option	Option description	
Q1 1910001			
Q2 1920001			

Pos	Part	Q1	Q2	Q3	Q4	Q5	PS	Kit	Description	Option(s)	Remark
1	VOE20590572	1	1						Control		(ZM2907361)
2	ZM2903891	1	1				OP		••Cover		
3	VOE20405508	1	1						••Gasket		(ZM2903892)
4	ZM2903893	1	1				OP		••Cover		
5	VOE20460081	2	2				OP		•••Lever		(ZM2907363)
6	VOE20405507	1	1						••Gasket		(ZM2903894)
7	VOE20460078	1	1						••Piston		(ZM2907364)
8	ZM2907362	1	1						••Housing		
9	VOE20405510	1	1						••Gasket		(ZM2907366)
10	VOE20405509	1	1						••Gasket		(ZM2907367)
11	ZM8096571	3	3						••Screw		M6x25
12	VOE20460068	2	2						••Screw		(ZM2907365)
13	VOE20460083	1	1						••Lock washer		(ZM2907368)3,2
14	ZM2903926	REQ	REQ						Sealing compound		
15	ZM2903926	REQ	REQ						Sealing compound		(ZM2905350)

36	VOE983244	8	8						Hexagon screw		(ZM7095519)M8x30
37	VOE21335229	4	4						Tappet		(ZM2905909)

Date: 2013/11/12	Image id: 00000184	Catalogue: 07503	Model: L40
Brand: Volvo	Serial: 1910001-1910158, 1920001-1920337	Group/Section: 237/100	Title: Injection pipes, Injection valve



00000184

Q1-Q5	Option	Option description	
Q1 1910001			
Q2 1920001			

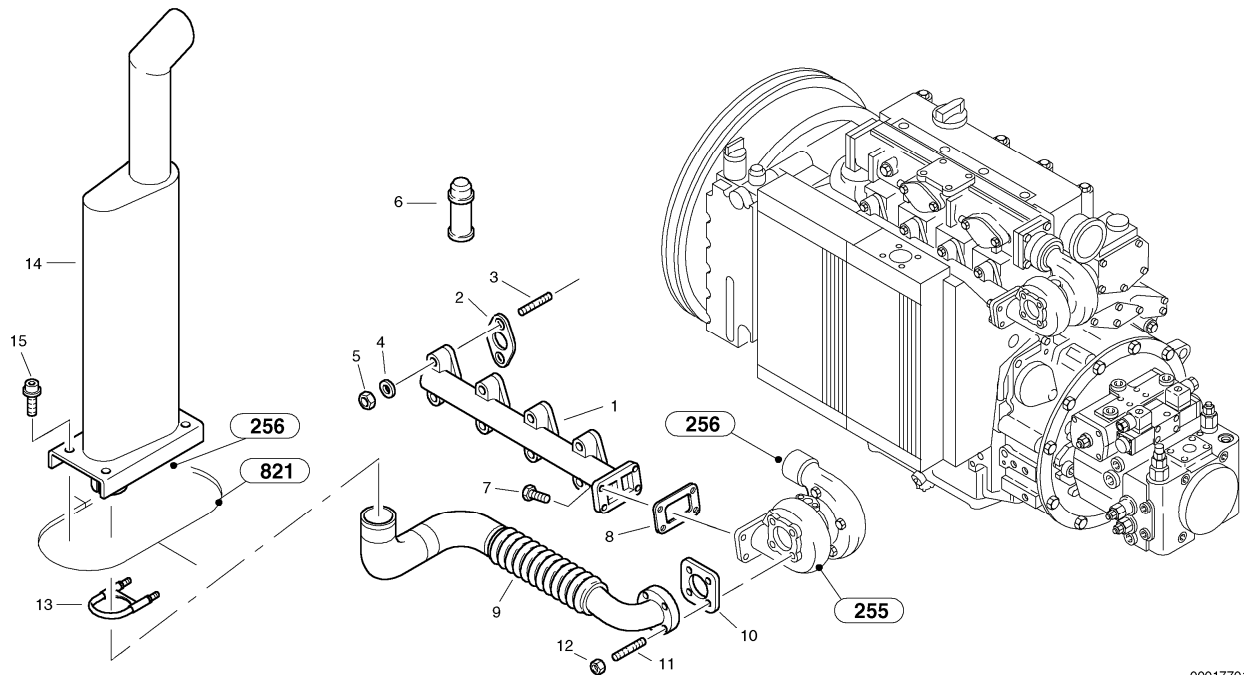
Pos	Part	Q1	Q2	Q3	Q4	Q5	PS	Kit	Description	Option(s)	Remark
1	VOE20543483	4	4						Injector		(ZM2903973)E PROD
1	VOE20543483	4	4						Injector		L PROD
2	VOE11705716	1	1				OP		•Shim		1,00 mm E PROD
2	VOE11705717	REQ	REQ				OP		•Shim		1,04 mm E PROD
2	VOE11705718	REQ	REQ						•Shim		1,08 mm E PROD
2	VOE11705719	REQ	REQ						•Shim		1,10 mm E PROD
2	VOE11705720	REQ	REQ				OP		•Shim		1,14 mm E PROD
2	VOE11705721	REQ	REQ				OP		•Shim		1,18 mm E PROD
2	VOE11705722	REQ	REQ						•Shim		1,20 mm E PROD
2	VOE11705723	REQ	REQ				OP		•Shim		1,24 mm E PROD
2	VOE11705724	REQ	REQ						•Shim		1,28 mm E PROD
2	VOE11705725	REQ	REQ						•Shim		1,30 mm E PROD
2	VOE11705726	REQ	REQ				OP		•Shim		1,34 mm E PROD
2	VOE11705727	REQ	REQ				OP		•Shim		1,38 mm E PROD
2	VOE11705728	REQ	REQ				OP		•Shim		1,40 mm E PROD

2	VOE11705729	REQ	REQ						•Shim		1,44 mm E PROD
2	VOE11705730	REQ	REQ				OP		•Shim		1,48 mm E PROD
2	VOE11705731	REQ	REQ						•Shim		1,50 mm E PROD
2	VOE11705732	REQ	REQ				OP		•Shim		1,54 mm E PROD
2	VOE11705733	REQ	REQ				OP		•Shim		1,58 mm E PROD
2	VOE11705734	REQ	REQ				OP		•Shim		1,60 mm E PROD
2	VOE11705735	REQ	REQ				OP		•Shim		1,64 mm E PROD
2	VOE11705736	REQ	REQ						•Shim		1,68 mm E PROD
2	VOE11705737	REQ	REQ				OP		•Shim		1,70 mm E PROD
2	VOE11705738	REQ	REQ				OP		•Shim		1,74 mm E PROD
2	VOE11705739	REQ	REQ						•Shim		1,78 mm E PROD
2	VOE11705740	REQ	REQ				OP		•Shim		1,80 mm E PROD
2	VOE11705741	REQ	REQ				OP		•Shim		1,84 mm E PROD
2	VOE11705742	REQ	REQ				OP		•Shim		1,88 mm E PROD
2	VOE11705743	REQ	REQ				OP		•Shim		1,90 mm E PROD
2	ZM2901207	REQ	REQ						•Spacer		1,94 mm E PROD
2	VOE11700462	REQ	REQ						•Shim		(ZM2901208)1,98 mm E PROD
2	VOE20709929	1	1						•Shim		1,00 MM L PROD
2	VOE20709944	REQ	REQ						•Shim		1,06 MM L PROD
2	VOE20709947	REQ	REQ						•Shim		1,10 MM L PROD
2	VOE20709952	REQ	REQ						•Shim		1,15 MM L PROD
2	VOE20709955	REQ	REQ						•Shim		1,20 MM L PROD
2	VOE20709958	REQ	REQ						•Shim		1,25 MM L PROD
2	VOE20709959	REQ	REQ						•Shim		1,30 MM L PROD
2	VOE20709961	REQ	REQ						•Shim		1,35 MM L PROD
2	VOE20709962	REQ	REQ						•Shim		1,40 MM L PROD
2	VOE20709963	REQ	REQ						•Shim		1,45 MM L PROD
2	VOE20709964	REQ	REQ						•Shim		1,50 MM L PROD
2	VOE20709965	REQ	REQ						•Shim		1,55 MM L PROD
2	VOE20709966	REQ	REQ						•Shim		1,60 MM L PROD
2	VOE20709967	REQ	REQ						•Shim		1,65 MM L PROD
2	VOE20709969	REQ	REQ						•Shim		1,70 MM L PROD
2	VOE20709970	REQ	REQ						•Shim		1,75 MM L PROD
2	VOE20709971	REQ	REQ						•Shim		1,80 MM L PROD
2	VOE20709972	REQ	REQ						•Shim		1,85 MM L PROD
2	VOE20709973	REQ	REQ						•Shim		1,90 MM L PROD
2	VOE20709974	REQ	REQ						•Shim		1,95 MM L PROD
2	VOE20709975	REQ	REQ						•Shim		2,00 MM L PROD
3	ZM2901209	1	1				OP		•Thrust Spring		
4	VOE20405525	1	1						•Bolt		
5	VOE11700430	1	1						•Washer		
6	VOE20405869	1	1						•Nozzle		(ZM2903975)
7	ZM2904143	1	1						•Clamping nut		(ZM2901213)
8	VOE11700426	4	4						Sealing ring		(ZM2290392)
9	VOE11700424	8	8						Retainer		(ZM2900422)
10	ZM2900423	4	4						Screw		

11	VOE20405567	4	4						Delivery pipe		(ZM2906943)
12	ZM2906942	1	1						Hose		See footnote 1366)
13	VOE20775904	3	3						Fitting		See footnote 1366)
14	VOE20405864	1	1						Fuel hose		(ZM2901216)See footnote 1366)
15	ZM2901215	1	1						Hose		See footnote 1366)
16	ZM2900413	2	2						Hose		See footnote 1366)
17	VOE20405864	1	1						Fuel hose		(ZM2901216)See footnote 1366)
18	VOE20405886	4	4						Rubber Seal		(ZM2900418)See footnote 1366)
19	ZM2900413	1	1						Hose		See footnote 1366)
20	VOE20405864	1	1						Fuel hose		(ZM2900416)See footnote 1366)
21	VOE13969011	2	2						Gasket		(ZM7099502)A14x20
22	ZM2907359	1	1						Pressure holding valve		
23	VOE20405568	1	1						Clip		(ZM2904000)
24	VOE11988323	1	1						Fuel hose		(ZM2904001)
25	VOE20405769	1	1						Sealing ring		(ZM2904003)
26	ZM7099503	1	1				SS		Seal		A14x18
27	VOE20405562	1	1						Hollow screw		(ZM2904002)
28	VOE20405568	2	2						Clip		(ZM2904000)
29	ZM2903999	1	1						Hose		
30	VOE20405763	1	1						Tube		(ZM2904005)
31	ZM2903716	1	1						Hose nipple		
32	ZM7099503	1	1				SS		Seal		A14x18
33	VOE20405764	1	1						Hose retainer		(ZM2904004)

1366) only 2908049 cpl. deliverable

Date: 2013/11/12	Image id: 00017701	Catalogue: 07503	Model: L40
Brand: Volvo	Serial: 1910001-1910158, 1920001-1920337	Group/Section: 252/100	Title: Exhaust system

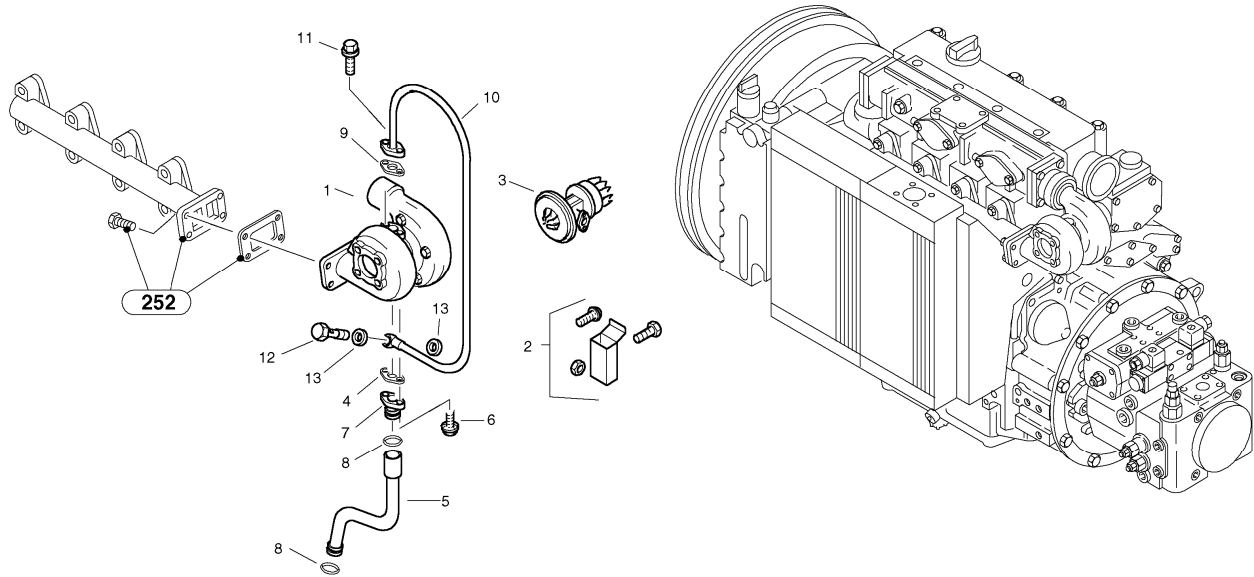


00017701

Q1-Q5	Option	Option description	
Q1 1910001			
Q2 1920001			

Pos	Part	Q1	Q2	Q3	Q4	Q5	PS	Kit	Description	Option(s)	Remark
1	ZM2904350	1	1						Exhaust pipe		
2	ZM2900354	4	4						Gasket		
3	ZM4070680	8	8				SS		Pin screw		
4	ZM2900353	8	8				SS		Washer		
5	VOE20505959	8	8						Hexagon nut		(ZM2900355)
6	ZM2904413	REQ	REQ						Gasket compound		(ZM2900356)
7	VOE20405609	4	4						Bolt		
8	VOE20460297	1	1						Gasket		(ZM2904352)
9	VOE15622097	1	1				OP		Exhaust hose		(ZM2813446)
10	VOE20405608	1	1						Gasket		(ZM2903126)
11	ZM8097402	1	1						Pin screw		M8x45
12	ZM7098010	4	4						Nut		M8
13	ZM2804158	1	1						Clamp		
14	ZM2802738	1	1						Muffler		
15	ZM2810334	4	4						Screw		M10x25

Date: 2013/11/12	Image id: 00000166	Catalogue: 07503	Model: L40
Brand: Volvo	Serial: 1910001-1910158, 1920001-1920337	Group/Section: 255/100	Title: Exhaust turbo - super charger

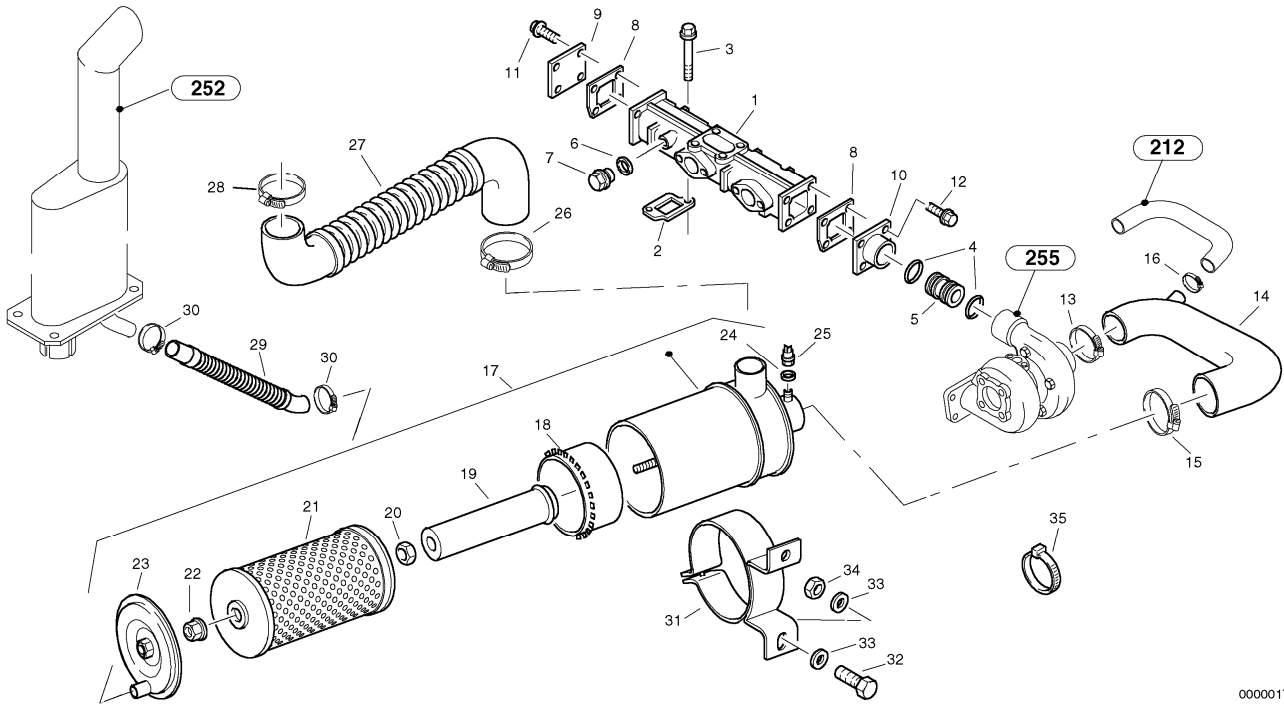


00000166

Q1-Q5	Option	Option description	
Q1 1910001			
Q2 1920001			

Pos	Part	Q1	Q2	Q3	Q4	Q5	PS	Kit	Description	Option(s)	Remark
1	VOE20412317	1	1				SS		Turbocharger		(ZM2907020)
2	ZM2907021	1	1				OP		Repair Kit		
3	VOE20412317	1	1				SS		Turbocharger		(ZM2907022)
4	ZM4074630	1	1				SS		Gasket		
5	ZM2904347	1	1						Return Line		
6	VOE20405885	2	2						Screw		(ZM2900288)
7	VOE20405879	1	1						Flange		(ZM2904348)
8	VOE20405822	2	2						Sealing ring		(ZM2905953)
9	ZM2904349	1	1						Gasket		
10	ZM2903719	1	1				OP		Oil Line		
11	VOE20405885	2	2						Screw		(ZM2900288)
12	VOE7025167	1	1						Hollow screw		(ZM4078310)
13	ZM7099503	2	2				SS		Seal		A14x18

Date: 2013/11/12	Image id: 00000174	Catalogue: 07503	Model: L40
Brand: Volvo	Serial: 1910001-1910158, 1920001-1920337	Group/Section: 256/100	Title: Suction system, filter



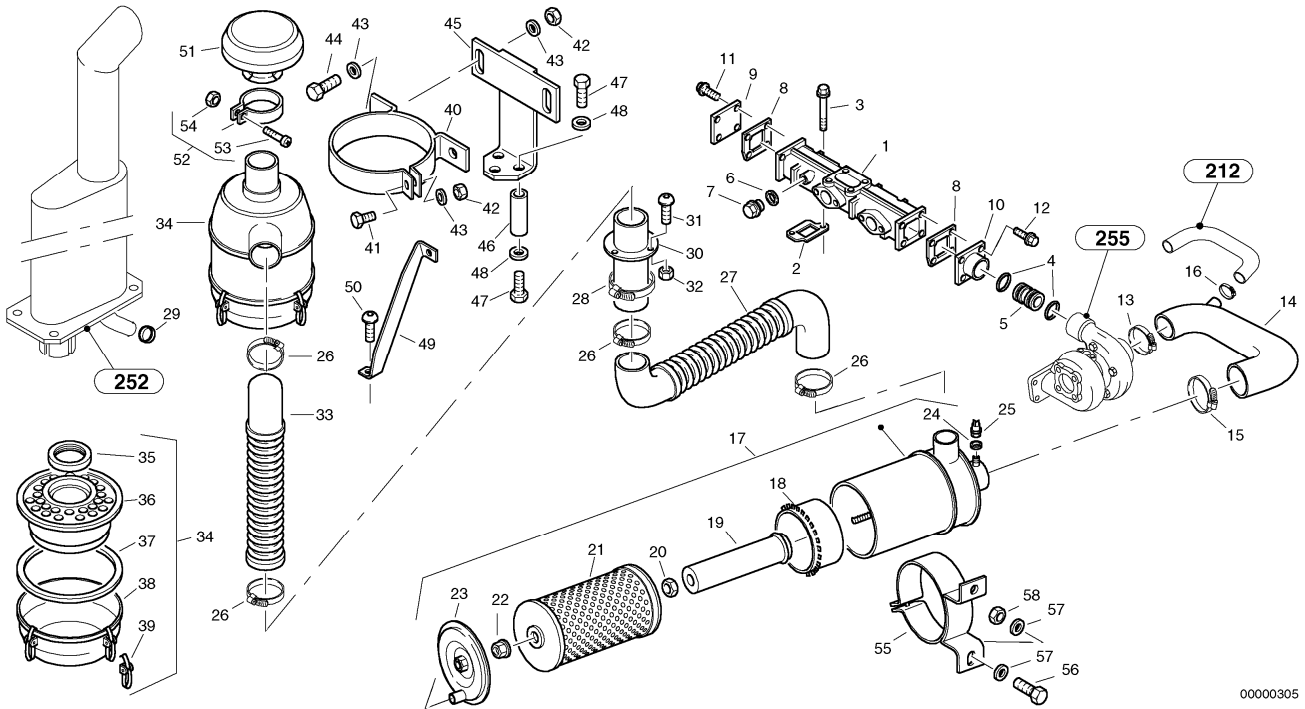
00000174

Q1-Q5	Option	Option description	
Q1 1910001			
Q2 1920001			

Pos	Part	Q1	Q2	Q3	Q4	Q5	PS	Kit	Description	Option(s)	Remark
1	ZM2906944	1	1						Pressure Pipe		
2	ZM2903941	4	4						Gasket		
3	VOE20412601	8	8						Screw		(ZM2903942)M6x95
4	VOE20405536	2	2						Sealing ring		(ZM2906947)
5	VOE20405616	1	1						Adapter		(ZM2903943)
6	ZM7099503	1	1				SS		Seal		A14x18
7	ZM8099411	1	1						Screw		M14x1,5
8	VOE20451009	2	2						Gasket		(ZM2903946)
9	ZM2903945	1	1						Cover		
10	ZM2906945	1	1						Spacer Flange		
11	VOE20460241	4	4						Screw		(ZM7095520)M8x22
12	VOE20481759	4	4				SS		Screw		(ZM2908411)
13	ZM2060784	1	1						Clip		AS50-70
14	ZM2812546	1	1						Hose		
15	ZM2060786	1	1						Clip		

16	ZM2060782	1	1					Clip		AS20-32
17	VOE11033776	1	1					Air cleaner		(ZM2800817)
18	VOE11994340	1	1					•••Turbine end unit		(ZM2088750)
19	ZM2262480	1	1					•••Filter		
20	ZM7098062	1	1				SS	•••Nut		BM16x1,5
21	ZM2078240	1	1					••Air filter		
22	ZM2088790	1	1					•••Nut		
23	VOE787407	1	1					•••Cover		(ZM2902132)
24	VOE4836166	1	1					•••Felt ring		(ZM2122920)
25	ZM4373200	1	1				SS	Switch		
26	ZM2060786	1	1					Clip		
27	ZM2810940	1	1					Hose		
28	ZM2060785	1	1					Clip		AS70-90
29	ZM2810940	1	1					Hose		
30	ZM2060782	2	2					Clip		AS20-32
31	ZM2078290	1	1				OP	Bracket		
32	VOE983251	2	2					Hexagon screw		(ZM7094813)M10x25
33	VOE960148	4	4					Washer		(ZM7098741)B10,5
34	ZM7098002	2	2					Nut		M10
35	ZM4375500	2	2				SS	Cable clamp		

Date: 2013/11/12	Image id: 00000305	Catalogue: 07503	Model: L40
Brand: Volvo	Serial: 1910001-1910158, 1920001-1920337	Group/Section: 2567/100	Title: Prefilter - Oil bath air filter



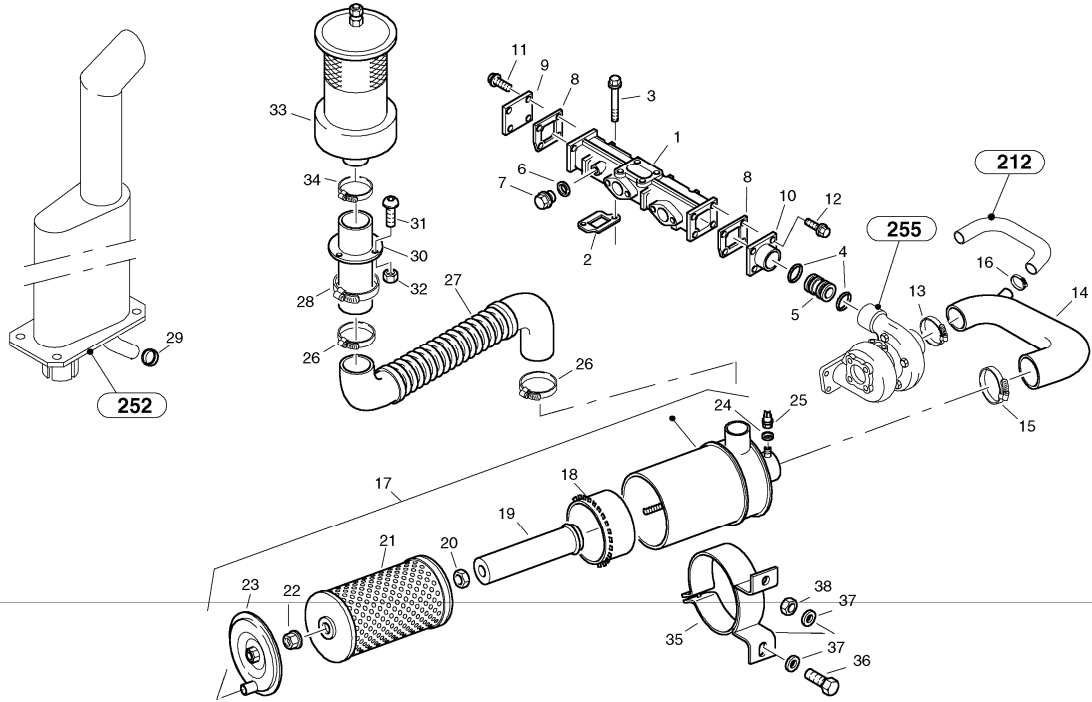
00000305

Q1-Q5	Option	Option description	
Q1 1910001			
Q2 1920001			

Pos	Part	Q1	Q2	Q3	Q4	Q5	PS	Kit	Description	Option(s)	Remark
1	ZM2906944	1	1						Pressure Pipe		
2	ZM2903941	4	4						Gasket		
3	VOE20412601	8	8						Screw		(ZM2903942)M6x95
4	VOE20405536	2	2						Sealing ring		(ZM2906947)
5	VOE20405616	1	1						Adapter		(ZM2903943)
6	ZM7099503	1	1				SS		Seal		A14x18
7	ZM8099411	1	1						Screw		M14x1,5
8	VOE20451009	2	2						Gasket		(ZM2903946)
9	ZM2903945	1	1						Cover		
10	ZM2906945	1	1						Spacer Flange		
11	VOE20460241	4	4						Screw		(ZM7095520)M8x22
12	VOE20481759	4	4				SS		Screw		(ZM2908411)
13	ZM2060784	1	1						Clip		AS50-70
14	ZM2812546	1	1						Hose		
15	ZM2060785	2	2						Clip		AS70-90

16	ZM2060782	1	1					Clip		AS20-32
17	ZM4361213	1	1					Air filter, cpl.		
18	ZM2277130	1	1				OP	••Ring		
19	ZM2262480	1	1					••Filter		
20	ZM7098062	1	1				SS	••Nut		BM16x1,5
21	ZM2078240	1	1					••Air filter		
22	ZM2088790	1	1					••Nut		
23	ZM2277120	1	1					••Cover		
24	VOE4836166	1	1					••Felt ring		(ZM2122920)
25	VOE11306606	1	1					Switch		(ZM4373295)
26	ZM2060785	3	3					Clip		AS70-90
27	ZM2812554	1	1					Suction hHose		
28	ZM2060786	1	1					Clip		
29	ZM2201990	1	1					Plug		
30	ZM2814143	1	1					Tube		
31	ZM2810327	3	3					Screw		M6x16
32	ZM7098000	3	3					Nut		M6
33	ZM2814147	1	1					Suction hHose		
34	VOE11307556	1	1					Air cleaner		(ZM2113410)
35	ZM1040460	1	1					•Gasket		
36	ZM1040242	1	1				OP	•Filter		
37	ZM1040461	1	1					•Gasket		
38	VOE6612506	1	1					•Reservoir		(ZM1040234)
39	VOE6634778	1	1					•Latch		(ZM4053980)
40	ZM2113480	1	1				SS	Retainer		
41	VOE983250	1	1					Hexagon screw		(ZM8095904)M10x20
42	ZM7098002	3	3					Nut		M10
43	VOE960148	5	5					Washer		(ZM7098741)B10,5
44	VOE983252	2	2					Hexagon screw		(ZM8095900)
45	ZM2807185	1	1					Holder		
46	ZM2814145	3	3					Spacer		
47	ZM8095501	6	6					Screw		M8x25
48	VOE11307560	6	6					Washer		(ZM7099092)B8,4
49	ZM2814142	1	1					Support		
50	ZM2810334	1	1					Screw		M10x25
51	ZM2800818	1	1					Cap		
52	ZM2900488	1	1					Pipe clip		
53	ZM2900489	1	1				OP	••Screw		
54	ZM7098450	1	1					••Nut		
55	ZM2078290	1	1				OP	Bracket		
56	VOE983251	2	2					Hexagon screw		(ZM7094813)M10x25
57	VOE960148	4	4					Washer		(ZM7098741)B10,5
58	ZM7098002	2	2					Nut		M10

Date: 2013/11/12	Image id: 00000362	Catalogue: 07503	Model: L40
Brand: Volvo	Serial: 1910001-1910158, 1920001-1920337	Group/Section: 2568/100	Title: Pre-filter - Turbo Ii



00000362

Q1-Q5	Option	Option description	
Q1 1910001			
Q2 1920001			

Pos	Part	Q1	Q2	Q3	Q4	Q5	PS	Kit	Description	Option(s)	Remark
1	ZM2906944	1	1						Pressure Pipe		
2	ZM2903941	4	4						Gasket		
3	VOE20412601	8	8						Screw		(ZM2903942)M6x95
4	VOE20405536	2	2						Sealing ring		(ZM2906947)
5	VOE20405616	1	1						Adapter		(ZM2903943)
6	ZM7099503	1	1				SS		Seal		A14x18
7	ZM8099411	1	1						Screw		M14x1,5
8	VOE20451009	2	2						Gasket		(ZM2903946)
9	ZM2903945	1	1						Cover		
10	ZM2906945	1	1						Spacer Flange		
11	VOE20460241	4	4						Screw		(ZM7095520)M8x22
12	VOE20481759	4	4				SS		Screw		(ZM2908411)
13	ZM2060784	1	1						Clip		AS50-70
14	ZM2812546	1	1						Hose		
15	ZM2060785	1	1						Clip		AS70-90

Thank you so much for reading.
Please click the “Buy Now!”
button below to download the
complete manual.



After you pay.

You can download the most
perfect and complete manual in
the world immediately.

Our support email:

ebooklibonline@outlook.com