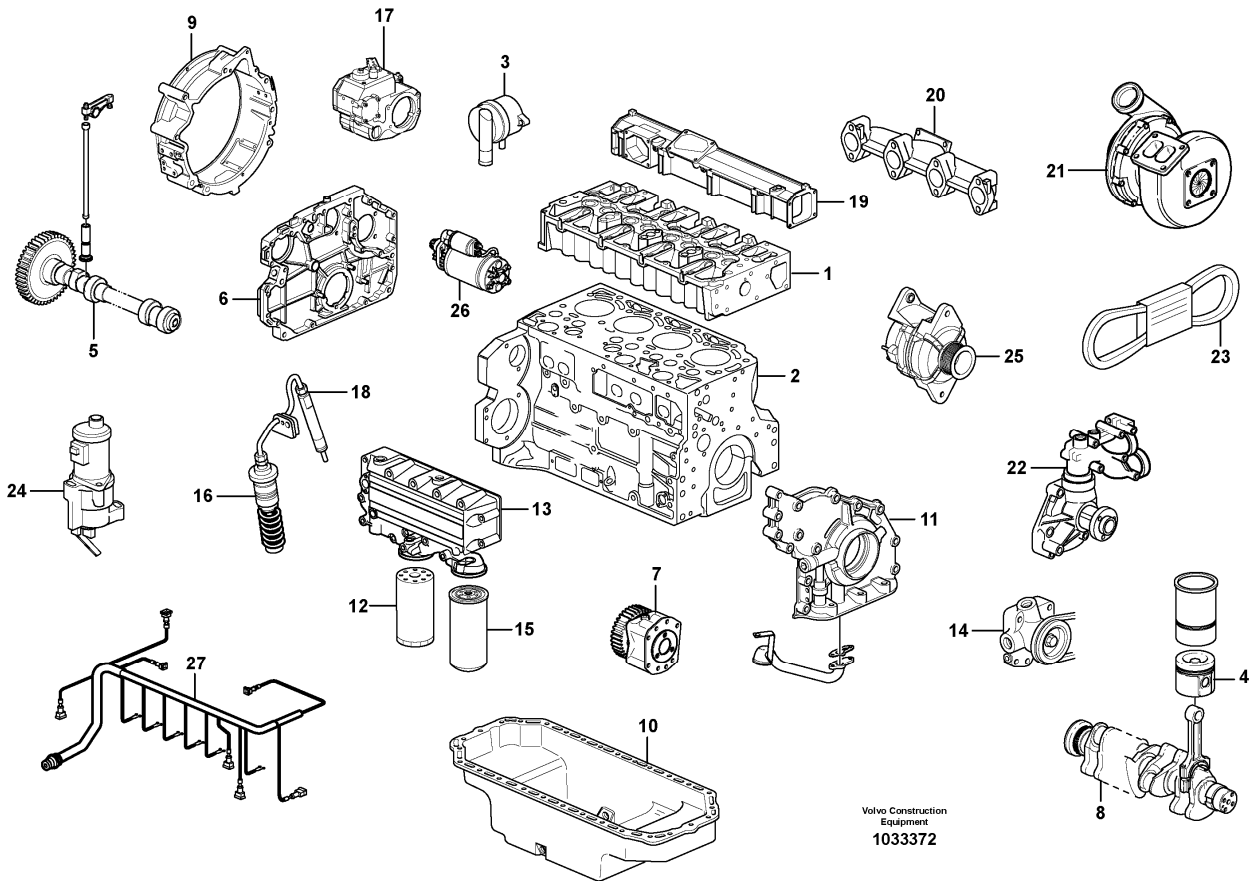


Date: 2013/11/10	Image id: 1033372	Catalogue: 20042	Model: L45B
Brand: Volvo	Serial: 1941500-1949999, 1951500-1959999	Group/Section: 210/100	Title: Engine



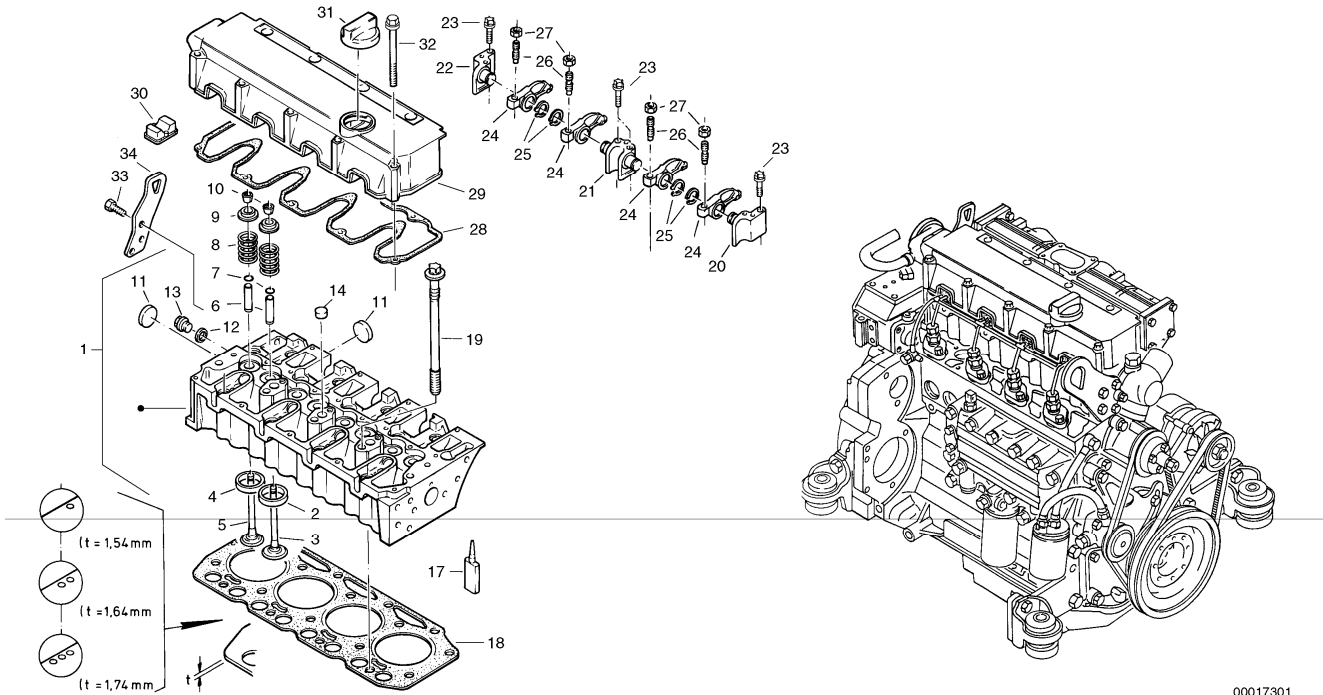
Section option	Kit	Option description
VOE15202333		Engine
VOE15202334		Engine

Q1-Q5	Option	Option description	
Q1 1943001-			
Q2 1953001-			

Pos	Part	Q1	Q2	Q3	Q4	Q5	PS	Kit	Description	Option(s)	Remark
	VOE15202333	1	1						Engine		
	VOE15202334	1	1						Engine		
1		1	1						•Cylinder head		See ref 211/110
2		1	1						•Crankcase		See ref 212/110
3		1	1						•Crankcase ventilation		See ref 212/200

4		1	1						•Piston		See ref 213/110
5		1	1						•Valve mechanism		See ref 214/100
6		1	1						•Timing gear casing		See ref 215/210
7		1	1						•Pump drive		See ref 215/300
8		1	1						•Crankshaft		See ref 216/110
9		1	1						•Flywheel Hsg		See ref 216/200
10		1	1						•Oil sump		See ref 217/110
11		1	1						•Lubricating system		See ref 221/100
12		1	1						•Oil filter		See ref 222/100
13		1	1						•Oil cooler		See ref 223/110
14		1	1						•Fuel pump		See ref 233/110
15		1	1						•Fuel Filter		See ref 233/150
16		1	1						•Injection pump		See ref 236/110
17		1	1						•Regulator		See ref 236/200
18		1	1						•Injector		See ref 237/110
19		1	1						•Inlet Manifold		See ref 251/100
20		1	1						•Exhaust pipe		See ref 251/100
21		1	1						•Turbocharger		See ref 255/110
22		1	1						•Coolant Pump		See ref 262/110
23		1	1						•Belt Xmsn		See ref 263/100
24		1	1						•Stop solenoid		See ref 273/110
25		1	1						•Alternator		See ref 321/110
26		1	1						•Starter motor		See ref 331/110
27		1	1						•Cable harness		See ref 371/110

Date: 2013/11/10	Image id: 00017301	Catalogue: 20042	Model: L45B
Brand: Volvo	Serial: 1941500-1949999, 1951500-1959999	Group/Section: 211/100	Title: Cylinder head, timing gears



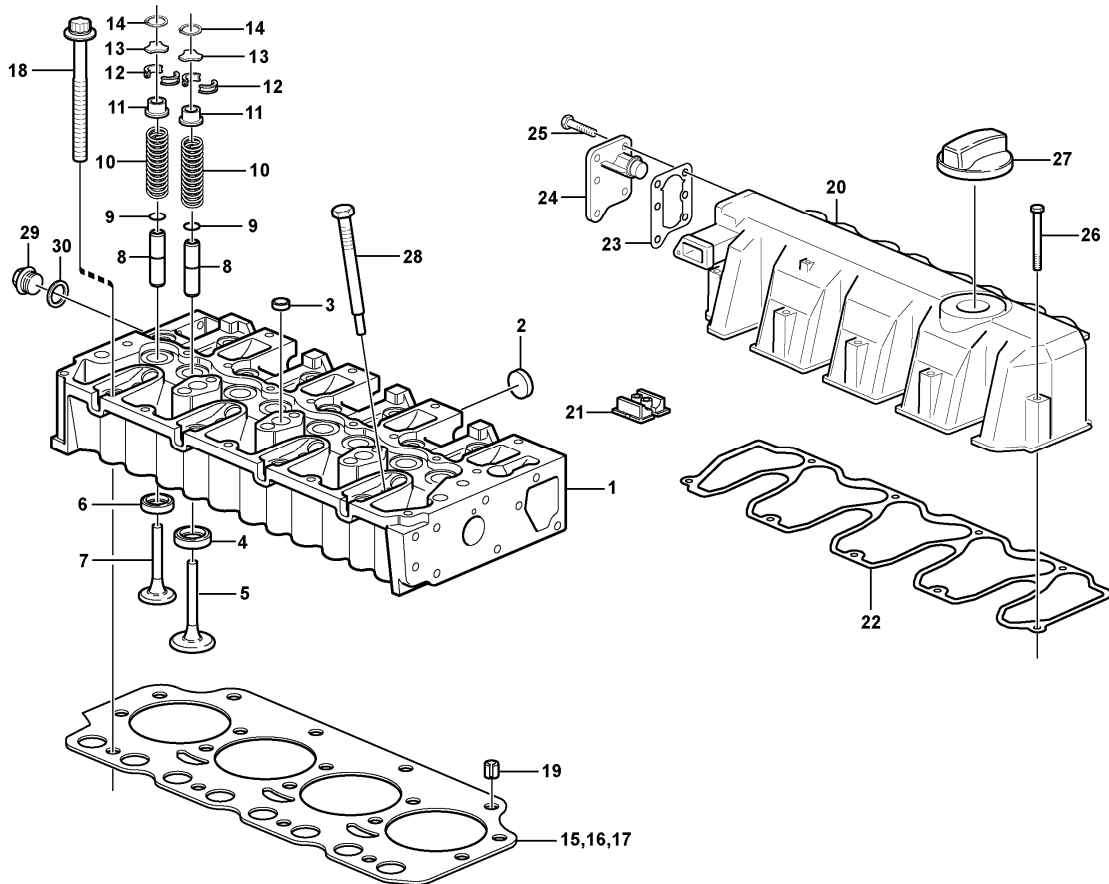
00017301

Q1-Q5	Option	Option description	
Q1 1941500-194300 0			
Q2 1951500-195300 0			

Pos	Part	Q1	Q2	Q3	Q4	Q5	PS	Kit	Description	Option(s)	Remark
1	VOE20405500	1	1						Cylinder head		(ZM2908404)
2	VOE20459962	4	4						•Valve seat		(ZM2904014)
3	VOE20714469	4	4						•Inlet valve		(ZM2906922)
4	VOE20459963	4	4						•Valve seat		(ZM2904017)
5	VOE20565912	4	4						•Exhaust Valve		(ZM2906923)
6	VOE20405897	8	8						•Valve guide		
7	VOE11700348	8	8						•O-ring		
8	VOE11700347	8	8						•Valve spring		
9	VOE11700346	8	8						•Washer		
10	VOE11700345	16	16						•Valve sleeve		
11	VOE20412745	4	4						•Core plug		36
12	VOE13947628	1	1						•Plane gasket		

13	VOE20464451	1	1						•Plug		(ZM2908403)
14	VOE20412745	3	3						•Core plug		
17	ZM2903912	REQ	REQ					OP	Locking agent		
18	VOE11700335	1	1						Cylinder head gasket		1,54 mm
18	VOE11700336	REQ	REQ						Cylinder head gasket		1,64 mm
18	VOE11700337	REQ	REQ						Cylinder head gasket		1,74 mm
19	VOE11700334	18	18						Screw		
20	VOE11700367	1	1						Bearing bracket		
21	VOE11700368	3	3						Bearing bracket		
22	VOE11700369	1	1						Bearing bracket		
23	VOE20459853	14	14						Screw		
24	VOE11700370	8	8						Rocker arm		
25	VOE945495	8	8						Retaining ring		21x1,2
26	VOE20405524	8	8						Screw		
27	VOE11700373	8	8						Nut		
28	VOE20412588	1	1						Gasket		
29	VOE20725337	1	1						Valve Cover		
30	VOE20412590	1	1						•Cap		
31	ZM2900334	1	1						Filler cap		
32	ZM2906925	9	9					SS	Screw		
33	ZM5225782	3	3						Screw		
34	ZM2900487	1	1						Plate		

Date: 2013/11/10	Image id: 1033150	Catalogue: 20042	Model: L45B
Brand: Volvo	Serial: 1941500-1949999, 1951500-1959999	Group/Section: 211/110	Title: Cylinder head



Volvo Construction
Equipment
1033150

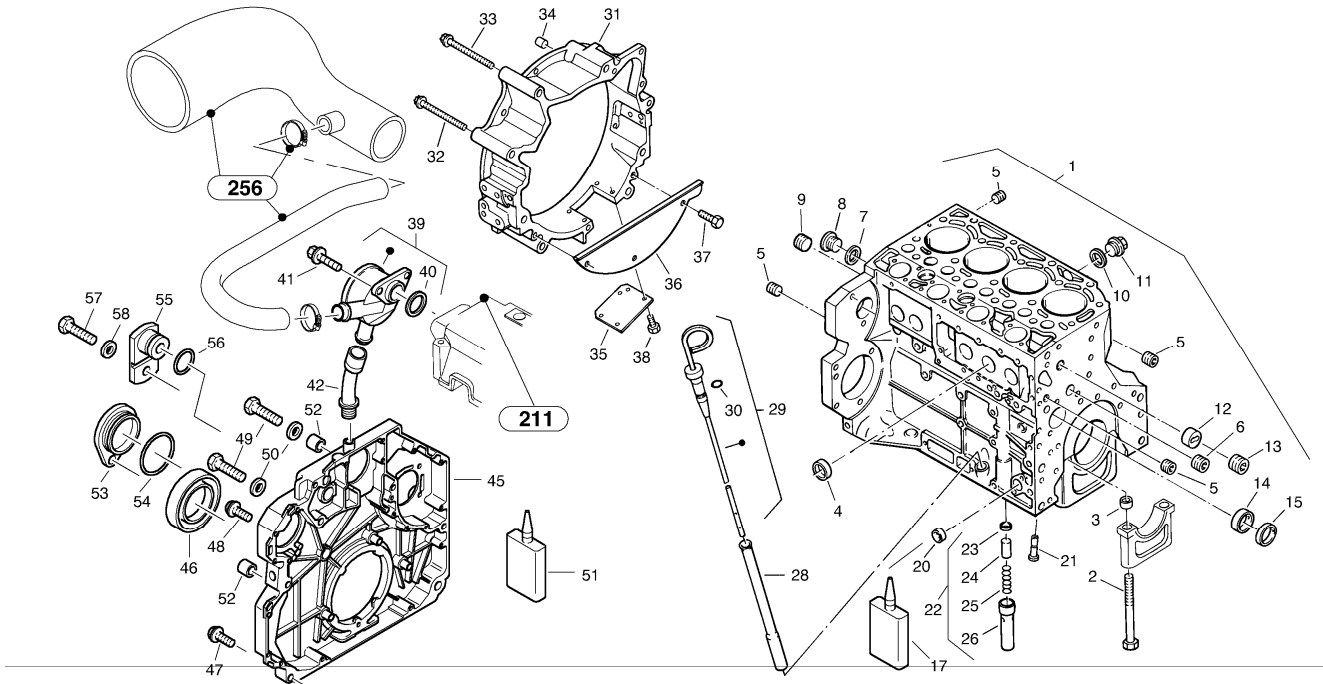
Section option	Kit	Option description
VOE15202333		Engine
VOE15202334		Engine

Q1-Q5	Option	Option description	
Q1 1943001-			
Q2 1953001-			

Pos	Part	Q1	Q2	Q3	Q4	Q5	PS	Kit	Description	Option(s)	Remark
1	VOE21147059	1	1						Cylinder head		
2	VOE20799722	3	3						•Plug		
3	VOE20412733	3	3						•Core plug		
4	VOE20459962	4	4						•Valve seat		
5	VOE20758481	4	4						•Inlet valve		
6	VOE20845144	4	4						•Valve seat		

7	VOE21739130	4	4						•Exhaust Valve		(VOE20755883)
8	VOE20405897	8	8						•Valve guide		
9	VOE11700348	8	8						•O-ring		
10	VOE11700347	8	8						•Valve spring		
11	VOE20847155	8	8						•Retainer		
12	VOE11700345	16	16						•Valve sleeve		
13	VOE20840807	8	8						•Thrust Washer		
14	VOE20840772	8	8						•Snap Ring		
15		1	1				NS		Cyl Head Gasket		1 BORE THICK = 1,4 MM
16	VOE20970720	1	1						Cylinder head gasket		2 BORES THICK = 1,5 MM
17	VOE20970725	1	1						Cylinder head gasket		3 BORES THICK = 1,6 MM
18	VOE11700334	18	18						Screw		
19	VOE20405521	2	2						Guide pin		
20	VOE21134652	1	1						Valve cover		
21	VOE20412600	1	1						•Cap		
22	VOE20972267	1	1						•Valve gasket		
23	VOE20840801	1	1						•Gasket		
24	VOE20933359	1	1						•Oil Separator		
25	VOE20797542	6	6						•Screw		
26	VOE21145471	9	9						•Flange screw		
27	VOE20412589	1	1						Filler cap		
28	VOE21291288	1	1						Glow plug		(VOE20783049)
29	VOE960628	1	1						Plug		
30	VOE13947281	1	1						Gasket		

Date: 2013/11/10	Image id: 00040700	Catalogue: 20042	Model: L45B
Brand: Volvo	Serial: 1941500-1949999, 1951500-1959999	Group/Section: 212/100	Title: Engine casing, Ventilation



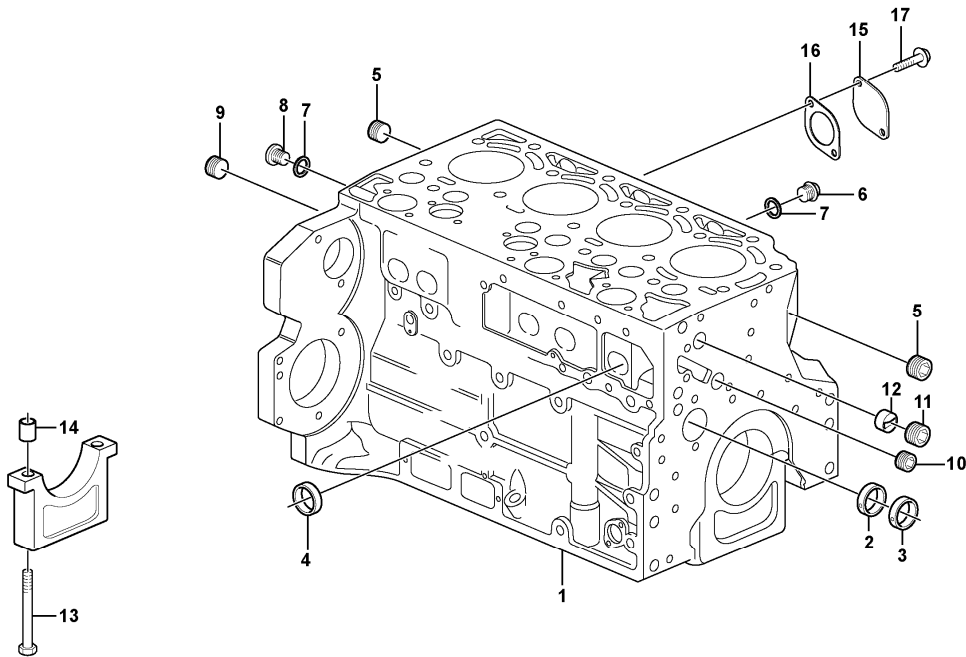
00040700

Q1-Q5	Option	Option description	
Q1 1941500-194300 0			
Q2 1951500-195300 0			

Pos	Part	Q1	Q2	Q3	Q4	Q5	PS	Kit	Description	Option(s)	Remark
1	VOE20557730	1	1						Cylinder Block		
2	VOE20405583	10	10						•Bolt		
3	VOE11700278	10	10						•Bushing		
4	VOE20405721	6	6						•Core plug		
5	VOE20508600	2	2						•Plug		
6	VOE20405719	1	1						•Plug		
7	VOE13969011	1	1						•Gasket		A14x18
8	VOE20460000	1	1						•Plug		
9	VOE20785813	1	1						•Plug		
10	VOE13947621	1	1						•Plane gasket		A14x18
11	VOE20405716	2	2						•Plug		M14x1,5
12	VOE20405584	1	1						•Guide sleeve		

13	VOE20405717	1	1						•Plug		
14	VOE11700285	1	1						•Bearing bushing		
15	VOE11700284	4	4						•Bearing bushing		
17	ZM2904058	1	1						Locking agent		
20	VOE20412745	1	1						Core plug		36
21	VOE20405561	1	1						Piston		
22	VOE11700271	1	1						Delivery valve		
23	VOE20405904	1	1						•Ring		
24	ZM2906910	1	1				OP		•Valve piston		
25	VOE20405896	1	1						•Compression spring		(ZM2903914)
26	ZM2906911	1	1						•Sleeve		
28	VOE20450869	1	1						Guide tube		(ZM2903918)
29	VOE20580446	1	1						Dipstick		ENG - 01097763
29	VOE20912366	1	1						Dipstick		ENG 01097764 -
30	VOE20412343	1	1						•Sealing ring		
31	VOE20580535	1	1						Housing		
32	VOE20405714	2	2						Screw		(VOE20501343)
33	VOE20405715	4	4						Screw		
34	VOE20585971	2	2						Bushing		
35	VOE20547288	1	1						Cover Plate		
36	VOE20459989	1	1						Cover		
37	VOE20405729	3	3						Screw		M6x10
38	VOE20405729	4	4						Screw		(ZM8095001)M6x12
39	VOE20405626	1	1						Regulator		
40	VOE20405627	1	1						•Gasket		
41	VOE20450728	2	2						Bolt		
42	VOE20405625	1	1						Rubber sleeve		
45	VOE20592784	1	1						Casing		
46	VOE20412286	1	1						Sealing ring		
47	VOE20412324	12	12						Screw		
48	VOE20405709	4	4						Screw		
49	VOE20405653	2	2				SS		Screw		
50	VOE13955900	2	2						Washer		(ZM7098746)A17
51	ZM2903828	REQ	REQ				OP		Locking agent		
52	VOE20585971	2	2						Bushing		
53	VOE20706651	1	1						Cover		(ZM2907356)
54	VOE20405652	1	1						Sealing ring		(VOE11700625)82x4
55	VOE20405553	1	1						Cover		
56	VOE20405707	1	1						Sealing ring		
57	VOE20405706	1	1						Screw		
58	VOE973494	1	1						Washer		(ZM2908463)

Date: 2013/11/10	Image id: 1056302	Catalogue: 20042	Model: L45B
Brand: Volvo	Serial: 1941500-1949999, 1951500-1959999	Group/Section: 212/110	Title: Cylinder block



Volvo Construction
Equipment
1056302

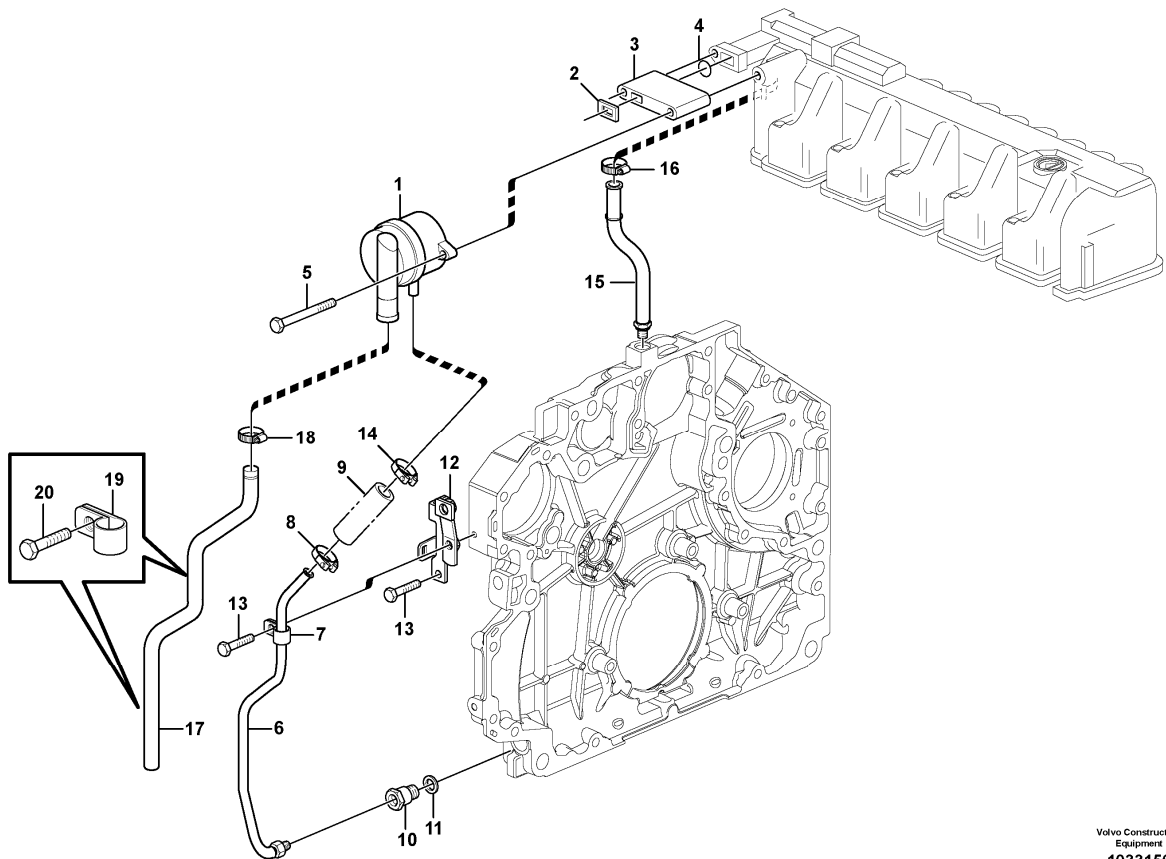
Section option	Kit	Option description
VOE15202333		Engine
VOE15202334		Engine

Q1-Q5	Option	Option description
Q1 1943001-		
Q2 1953001-		

Pos	Part	Q1	Q2	Q3	Q4	Q5	PS	Kit	Description	Option(s)	Remark
1	VOE20555442	1	1						Crankcase		
2	VOE11700285	1	1						•Bearing bushing		
3	VOE11700284	4	4						•Bearing bushing		
4	VOE20405721	6	6						•Core plug		
5	VOE20508600	2	2						•Plug		
6	VOE20405716	2	2						•Plug		

7	VOE13969011	4	4						•Gasket		
8	VOE945065	2	2						•Plug		
9	VOE20785813	1	1						•Plug		
10	VOE20405719	1	1						•Plug		
11	VOE20405717	1	1						•Plug		
12	VOE20405584	1	1						•Guide sleeve		
13	VOE20405583	10	10						•Bolt		
14	VOE11700278	10	10						•Bushing		
15	VOE21180405	1	1						Flange		
16	VOE20412341	1	1						Gasket		
17	VOE20405885	2	2						Screw		

Date: 2013/11/10	Image id: 1033156	Catalogue: 20042	Model: L45B
Brand: Volvo	Serial: 1941500-1949999, 1951500-1959999	Group/Section: 212/200	Title: Crankcase ventilation



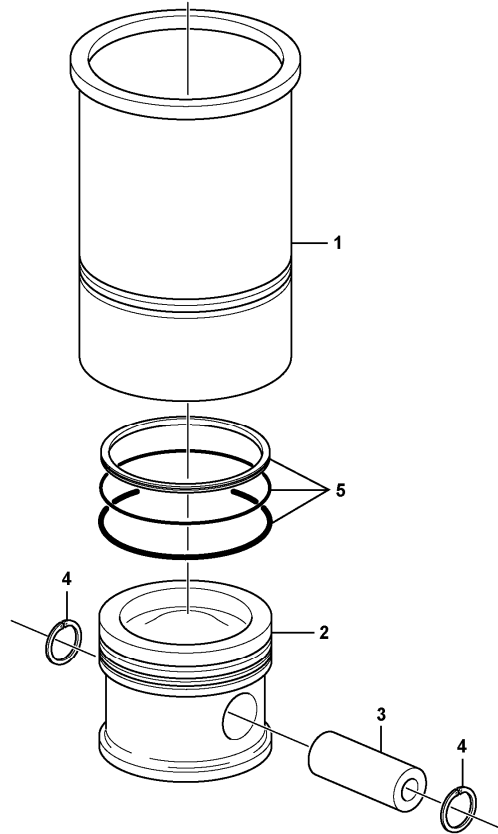
Section option	Kit	Option description
VOE15202333		Engine
VOE15202334		Engine

Q1-Q5	Option	Option description	
Q1 1943001-			
Q2 1953001-			

Pos	Part	Q1	Q2	Q3	Q4	Q5	PS	Kit	Description	Option(s)	Remark
1	VOE20930510	1	1						Pressure regulator		
2	VOE21038626	1	1						•Gasket		
3	VOE21248205	1	1						Adapter		(VOE21155194)
4	VOE21155195	1	1						Sealing		
5	VOE20792140	2	2						Hexagon screw		
6	VOE21155219	1	1						Return line		

7	VOE20798831	1	1						•Clamp		
8	VOE20405568	2	2						•Clip		
9	VOE20821091	1	1				NS		•Rubber hose		
10	VOE20841133	1	1						Dtt Regulator		
11	VOE20460026	1	1						Sealing ring		
12	VOE21155220	1	1						Retaining plate		
13	VOE20405729	2	2						Screw		
14	VOE20971607	1	1						Clamp		
15	VOE20971646	1	1						Oil Return Pipe		
16	VOE20799673	1	1						Hose Clamp		
17	VOE21155285	1	1						Tube		
18	VOE20405755	1	1						Clamping band		
19	VOE20798837	2	2						Clamp		
20	VOE20405885	2	2						Screw		

Date: 2013/11/10	Image id: 1024633	Catalogue: 20042	Model: L45B
Brand: Volvo	Serial: 1941500-1949999, 1951500-1959999	Group/Section: 213/100	Title: Cylinder bush and piston

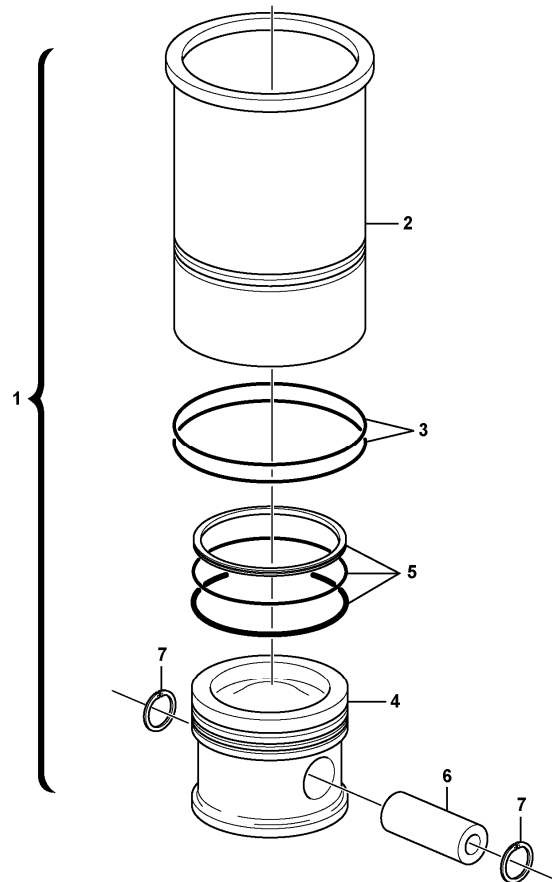


Volvo Construction
Equipment
1024633

Q1-Q5	Option	Option description	
Q1 1941500-194300 0			
Q2 1951500-195300 0			

Pos	Part	Q1	Q2	Q3	Q4	Q5	PS	Kit	Description	Option(s)	Remark
1	VOE20854650	4	4						Cyl Liner Kit		
2		4	4				NS		•Piston		
3	VOE20405577	4	4						••Gudgeon pin		
4	VOE20405576	8	8						••Retaining ring		
5	VOE21299547	4	4						••Piston ring kit		(VOE20450775)

Date: 2013/11/10	Image id: 1026946	Catalogue: 20042	Model: L45B
Brand: Volvo	Serial: 1941500-1949999, 1951500-1959999	Group/Section: 213/110	Title: Cylinder liner and piston



Volvo Construction
Equipment
1026946

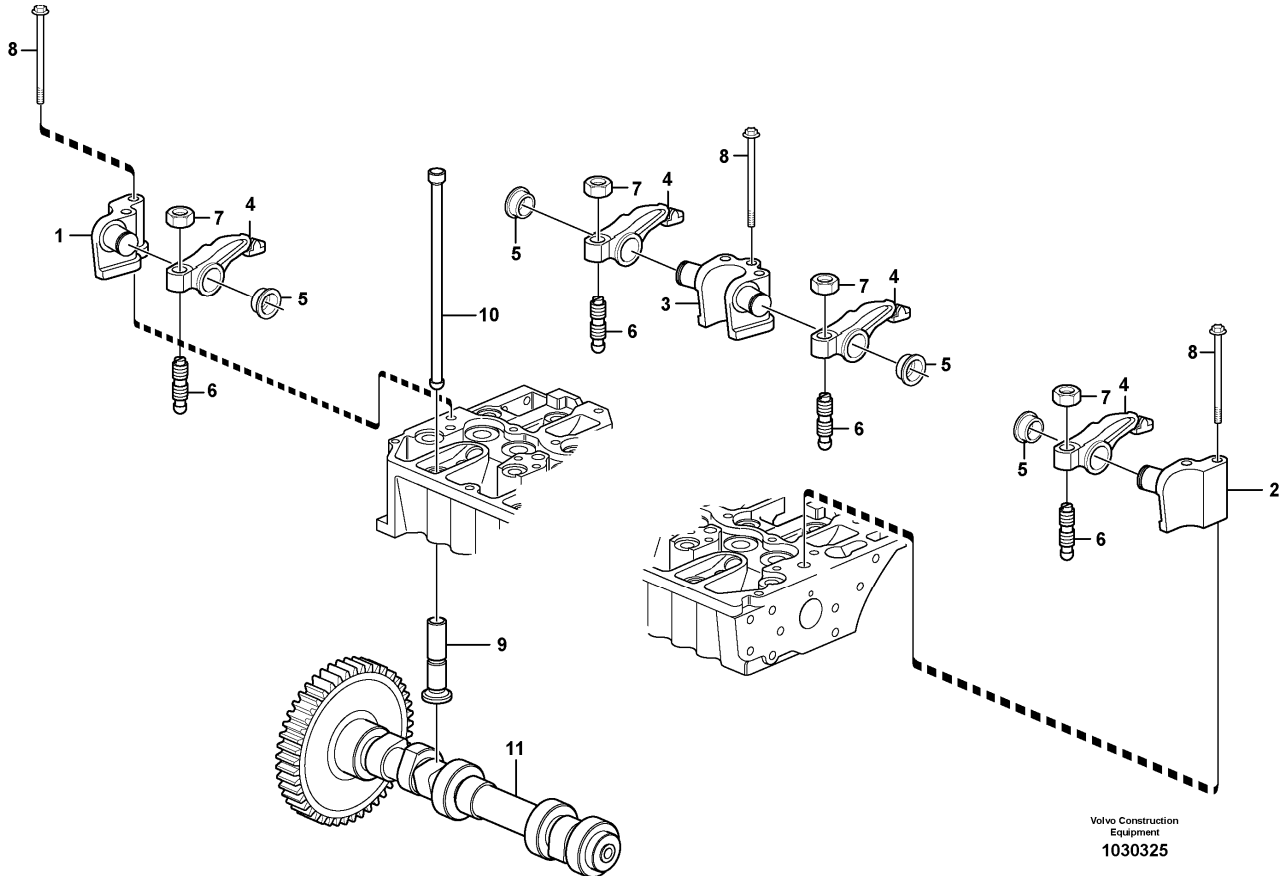
Section option	Kit	Option description
VOE15202333		Engine
VOE15202334		Engine

Q1-Q5	Option	Option description	
Q1 1943001-			
Q2 1953001-			

Pos	Part	Q1	Q2	Q3	Q4	Q5	PS	Kit	Description	Option(s)	Remark
1	VOE20865990	4	4						Cyl Liner Kit		
2		4	4				NS		•Cylinder Liner		
3	VOE20412762	8	8						•O-ring		
4		4	4				NS		•Piston		
5	VOE21299547	4	4						•Piston ring kit		(VOE20450775)
6	VOE20405577	4	4						•Gudgeon pin		

7	VOE20405576	8	8						•Retaining ring		
---	-------------	---	---	--	--	--	--	--	-----------------	--	--

Date: 2013/11/10	Image id: 1030325	Catalogue: 20042	Model: L45B
Brand: Volvo	Serial: 1941500-1949999, 1951500-1959999	Group/Section: 214/100	Title: Valve mechanism



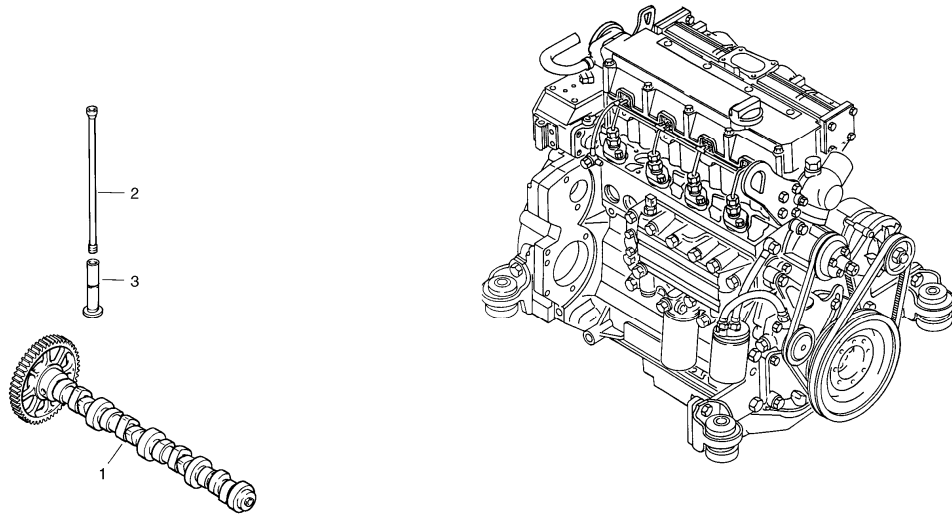
Section option	Kit	Option description
VOE15202333		Engine
VOE15202334		Engine

Q1-Q5	Option	Option description	
Q1 1943001-			
Q2 1953001-			

Pos	Part	Q1	Q2	Q3	Q4	Q5	PS	Kit	Description	Option(s)	Remark
1	VOE20805520	1	1						Rkr Arm Shaft		
2	VOE20805512	1	1						Rkr Arm Shaft		
3	VOE20805516	3	3						Rkr Arm Shaft		
4	VOE21448926	8	8						Rocker arm		(VOE20792876)
5	VOE20794115	8	8						Retaining ring		
6	VOE20913851	8	8						Adjusting Screw		
7	VOE11700373	8	8						Nut		
8	VOE20405723	10	10						Screw		

9	VOE11700366	8	8						Tappet		
10	VOE20405534	8	8						Push rod		
11	VOE21271245	1	1						Camshaft		(VOE21147012)

Date: 2013/11/10	Image id: 00016901	Catalogue: 20042	Model: L45B
Brand: Volvo	Serial: 1941500-1949999, 1951500-1959999	Group/Section: 215/100	Title: Camshaft

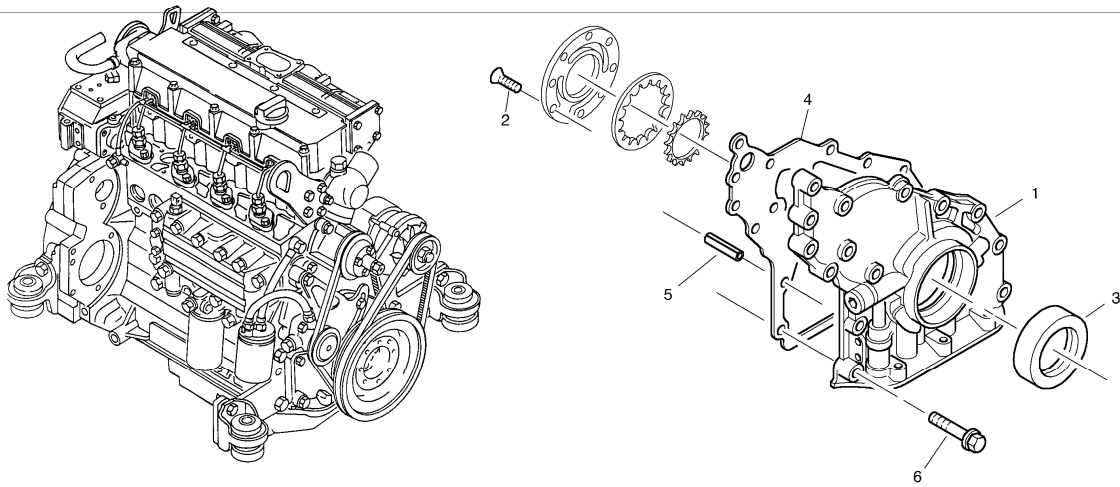


00016901

Q1-Q5	Option	Option description	
Q1 1941500-194300 0			
Q2 1951500-195300 0			

Pos	Part	Q1	Q2	Q3	Q4	Q5	PS	Kit	Description	Option(s)	Remark
1	VOE21264838	1	1						Camshaft		(VOE20550358)
2	VOE20405534	8	8						Push rod		
3	VOE11700366	8	8						Tappet		

Date: 2013/11/10	Image id: 00017201	Catalogue: 20042	Model: L45B
Brand: Volvo	Serial: 1941500-1949999, 1951500-1959999	Group/Section: 215/200	Title: Timing gear housing (front cover with oil pump)

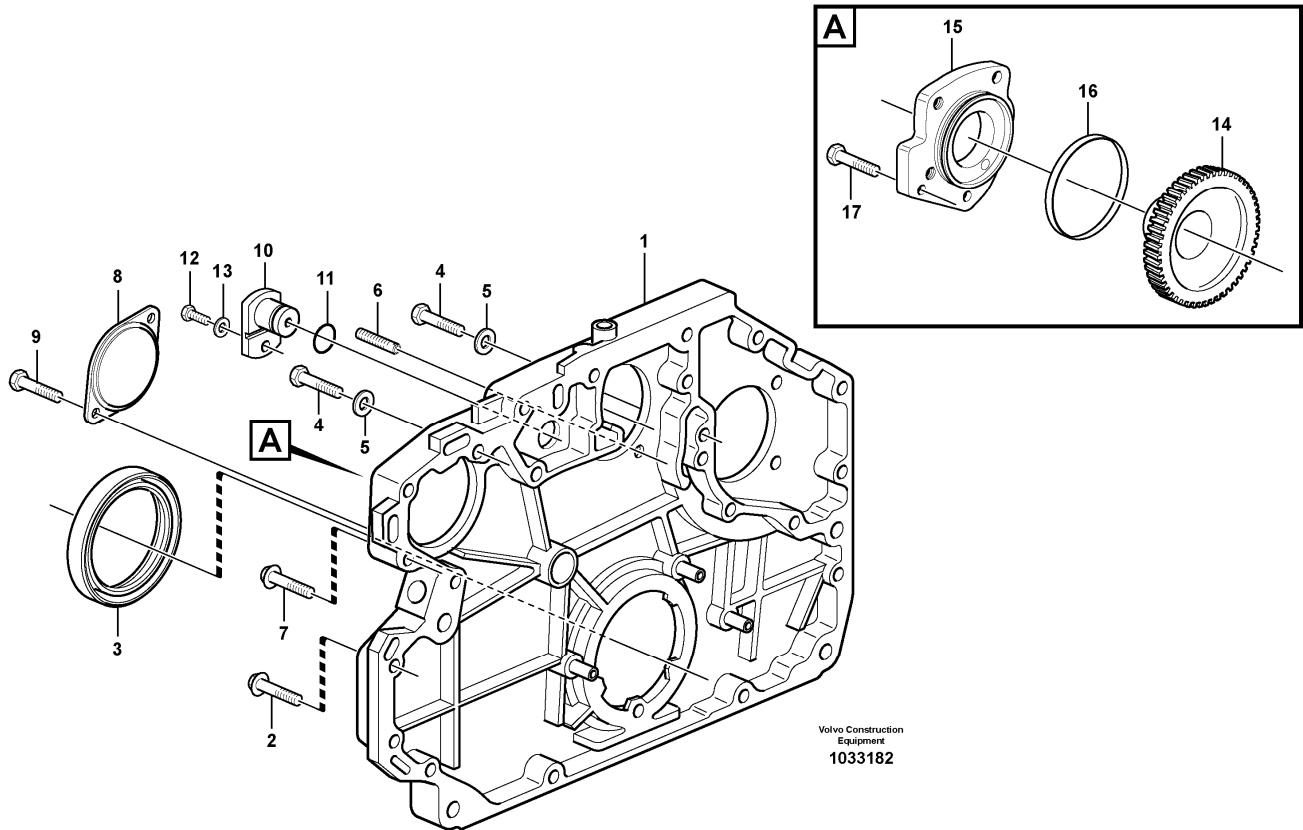


00017201

Q1-Q5	Option	Option description	
Q1 1941500-194300 0			
Q2 1951500-195300 0			

Pos	Part	Q1	Q2	Q3	Q4	Q5	PS	Kit	Description	Option(s)	Remark
1	VOE21600195	1	1						Oil pump housing		(VOE20882047)
2	VOE20451738	8	8						•Screw		
3	VOE20412568	1	1						•Sealing ring		
4	VOE11700265	1	1				SS		Gasket		
5	VOE20405603	1	1						Spring pin		(ZM2902626)
6	VOE20412324	14	14						Screw		

Date: 2013/11/10	Image id: 1033182	Catalogue: 20042	Model: L45B
Brand: Volvo	Serial: 1941500-1949999, 1951500-1959999	Group/Section: 215/210	Title: Timing gear casing



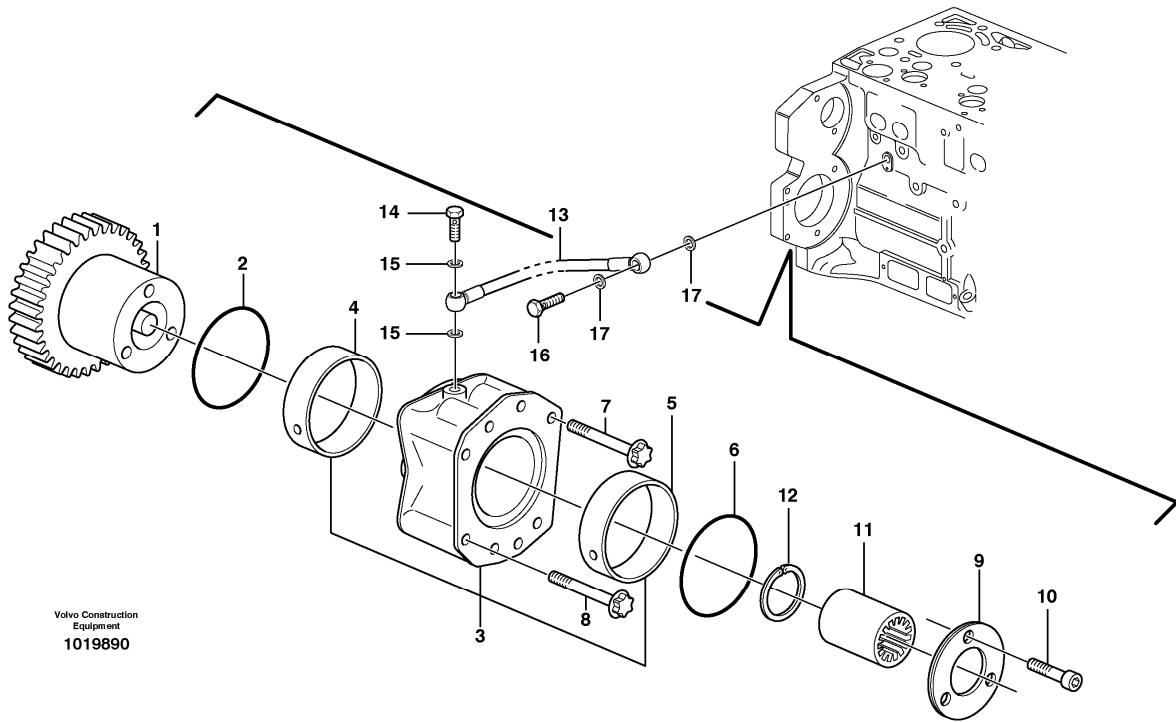
Section option	Kit	Option description
VOE15202333		Engine
VOE15202334		Engine

Q1-Q5	Option	Option description	
Q1 1943001-			
Q2 1953001-			

Pos	Part	Q1	Q2	Q3	Q4	Q5	PS	Kit	Description	Option(s)	Remark
1	VOE21155415	1	1						Flywheel housing		
2	VOE20412324	12	12						Screw		
3	VOE20412286	1	1						Sealing ring		
4	VOE20405653	2	2				SS		Screw		
5	VOE13955900	2	2						Washer		
6	VOE20450795	1	1						Set screw		

7	VOE20405709	1	1						Screw		
8	VOE20950063	1	1						Cover		
9	VOE20405709	2	2						Screw		
10	VOE20405553	1	1						Cover		
11	VOE20459904	1	1						Sealing ring		
12	VOE20450694	1	1						Screw		
13	VOE973494	1	1						Washer		
14	VOE20916167	1	1						Gear		
15	VOE21101972	1	1						Flange		
16	VOE20405652	1	1						Sealing ring		
17	VOE20460508	1	1						Screw		

Date: 2013/11/10	Image id: 1019890	Catalogue: 20042	Model: L45B
Brand: Volvo	Serial: 1941500-1949999, 1951500-1959999	Group/Section: 215/300	Title: Pump drive power take-off



Volvo Construction
Equipment
1019890

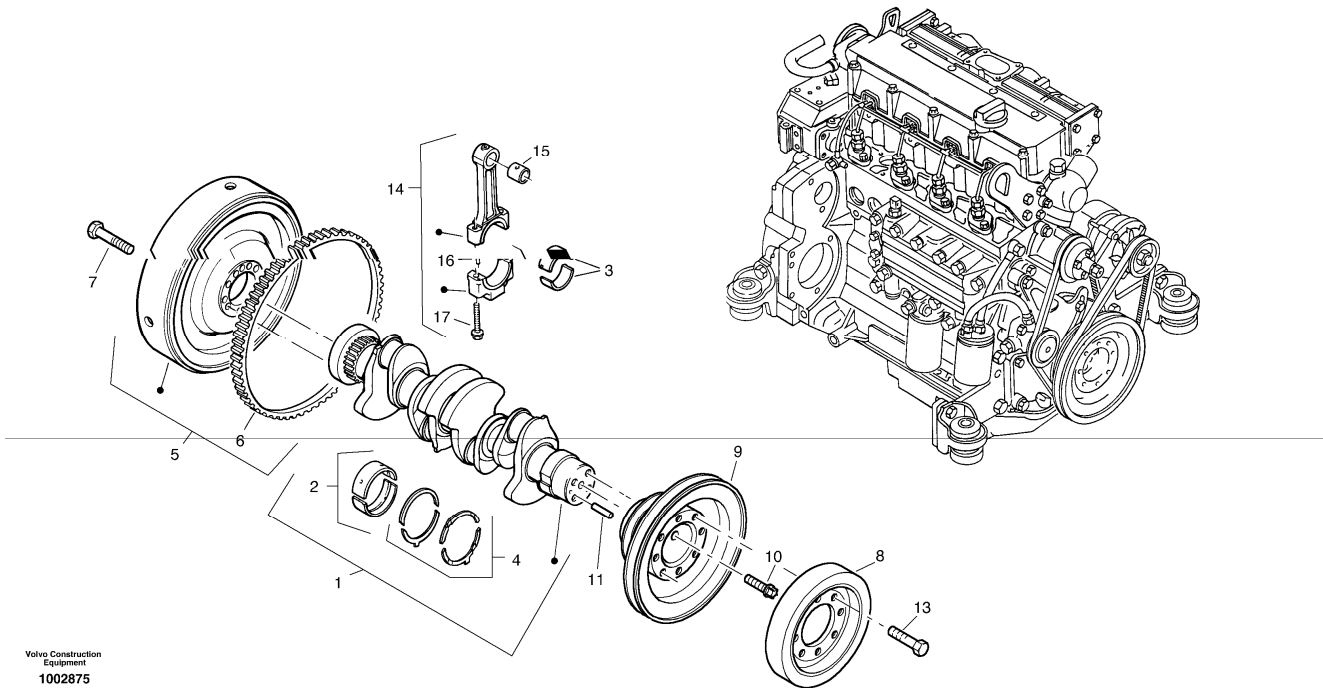
Section option	Kit	Option description
VOE15202333		Engine
VOE15202334		Engine

Q1-Q5	Option	Option description	
Q1 1943001-			
Q2 1953001-			

Pos	Part	Q1	Q2	Q3	Q4	Q5	PS	Kit	Description	Option(s)	Remark
1	VOE20900806	1	1						Gear		
2	VOE20450818	1	1						O-ring		
3	VOE20450805	1	1						Bearing flange		
4	VOE20450807	1	1						•Bushing		
5	VOE20450809	1	1						•Bushing		
6	VOE20450819	1	1						O-ring		

7	VOE20450821	2	2						Screw		
8	VOE21077470	2	2						Screw		
9	VOE20450811	1	1						Thrust washer		
10	VOE20450822	3	3						Screw		
11	VOE20459123	1	1						Sleeve		
12	VOE20450815	1	1				OP		•Retaining ring		
13	VOE20450980	1	1						Oil line		
14	VOE7025167	1	1						Hollow screw		
15	VOE13947281	2	2						Gasket		
16	VOE980973	1	1						Hollow screw		
17	VOE13947621	2	2						Plane gasket		

Date: 2013/11/10	Image id: 1002875	Catalogue: 20042	Model: L45B
Brand: Volvo	Serial: 1941500-1949999, 1951500-1959999	Group/Section: 216/100	Title: Crankshaft

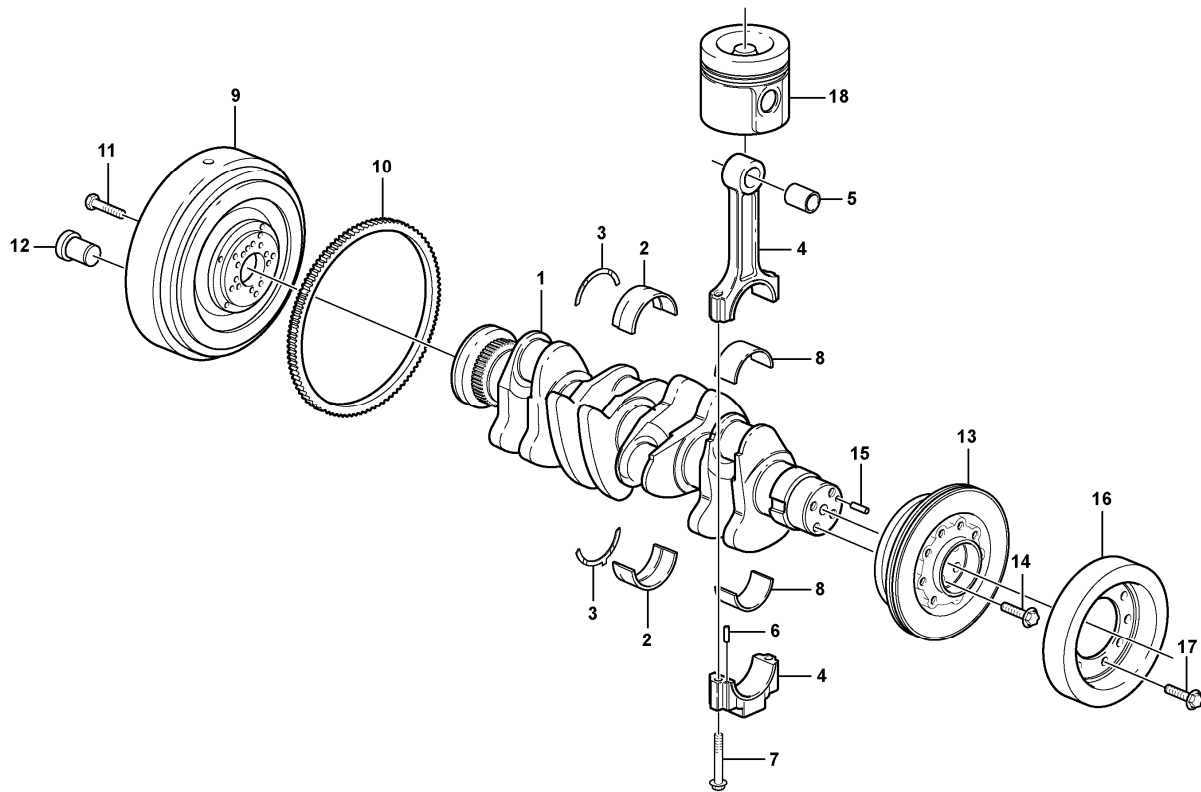


Q1-Q5	Option	Option description	
Q1 1941500-194300 0			
Q2 1951500-195300 0			

Pos	Part	Q1	Q2	Q3	Q4	Q5	PS	Kit	Description	Option(s)	Remark
1	VOE20405540	1	1						Crankshaft		ENG - 01098271
1	VOE20893968	1	1						Crankshaft		ENG 01098272 -
2	VOE21141948	5	5						•Main bearing		(VOE20405516)STD 85,00 MM
2	VOE21234191	REQ	REQ						•Main bearing		(VOE20405529)U SZ 84,75 MM
2	VOE20405541	REQ	REQ						•Main bearing		U SZ 84,50 MM
3	VOE20565150	4	4						•Bearing		(VOE11700316)STD 68,00 MM
3	VOE20717211	REQ	REQ						•Big-end Bearing		U SZ 67,75 MM
3	VOE20565188	REQ	REQ						•Big-end Bearing		U SZ 67,50 MM
4	VOE20405899	1	1						•Thrust Washer		2,9 mm
4	VOE21141963	REQ	REQ						•Raceway washer		(VOE11700315)3,1 mm

5	VOE20459128	1	1						Flywheel		
6	VOE21033328	1	1						•Gear Ring		
7	VOE20405654	10	10						Bolt		
8	VOE20459925	1	1						Vibration absorber		
9	VOE20515162	1	1						Pulley		
10	VOE20460199	4	4						Screw		
11	VOE20405634	1	1						Spring pin		
13	VOE888289	9	9						Hexagon screw		(VOE11709826)
14	VOE20585982	4	4						Connecting Rod		(VOE11700324)
15	VOE11700325	1	1						•Bushing		
16	VOE20459134	2	2						•Pin		
17	VOE11700326	2	2						•Bolt		

Date: 2013/11/10	Image id: 1033188	Catalogue: 20042	Model: L45B
Brand: Volvo	Serial: 1941500-1949999, 1951500-1959999	Group/Section: 216/110	Title: Crankshaft and related parts



Volvo Construction
Equipment
1033188

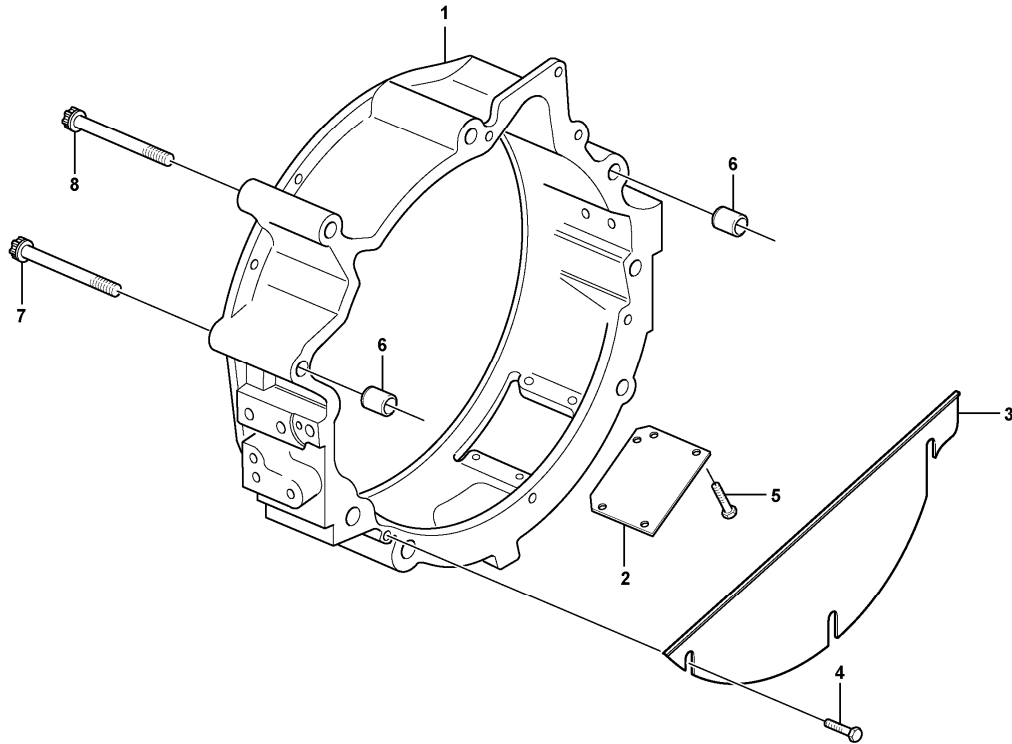
Section option	Kit	Option description
VOE15202333		Engine
VOE15202334		Engine

Q1-Q5	Option	Option description
Q1 1943001-		
Q2 1953001-		

Pos	Part	Q1	Q2	Q3	Q4	Q5	PS	Kit	Description	Option(s)	Remark
1	VOE20900811	1	1						Crankshaft		
2	VOE21141948	5	5						Main bearing		STD 85,00 MM
2	VOE21234191	REQ	REQ						Main bearing		(VOE20405529)U SZ 84,75 MM
2	VOE20405541	REQ	REQ						Main bearing		U SZ 84,50 MM
3	VOE21141955	1	1						Raceway washer		STD THICK = 2,9 MM

3	VOE21141963	REQ	REQ						Raceway washer		THICK = 3,1 MM
4	VOE20585982	4	4						Connecting Rod		
5	VOE11700325	4	4						•Bushing		
6	VOE20459134	8	8						•Pin		
7	VOE11700326	8	8						•Bolt		
8	VOE20766790	4	4						Big-end Bearing		STD 68,00 MM
8	VOE20790423	REQ	REQ						Big-end Bearing		U SZ 67,75 MM
8	VOE20790428	REQ	REQ						Big-end Bearing		U SZ 67,50 MM
9	VOE20459128	1	1						Flywheel		
10	VOE21033328	1	1						•Gear Ring		
11	VOE20405654	10	10						Bolt		
12	VOE20405643	1	1						Plug		
13	VOE20515162	1	1						Pulley		
14	VOE20405724	4	4						Screw		
15	VOE20405634	1	1						Spring pin		
16	VOE20459925	1	1						Vibration absorber		
17	VOE888289	8	8						Hexagon screw		(VOE11709826)
18		1	1						Piston		See ref 213/110

Date: 2013/11/10	Image id: 1027113	Catalogue: 20042	Model: L45B
Brand: Volvo	Serial: 1941500-1949999, 1951500-1959999	Group/Section: 216/200	Title: Flywheel housing



Volvo Construction
Equipment
1027113

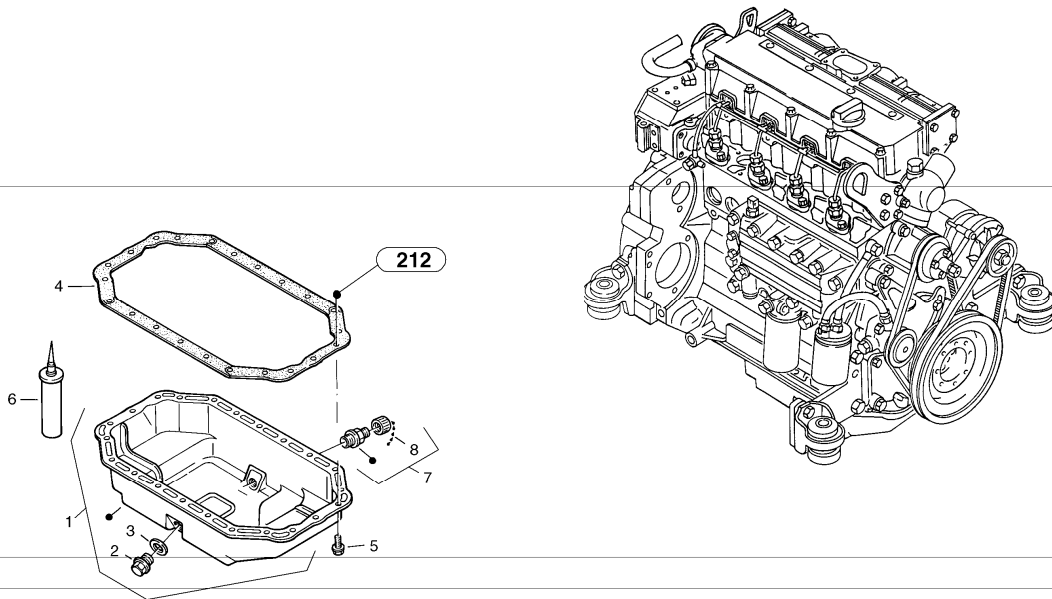
Section option	Kit	Option description
VOE15202333		Engine
VOE15202334		Engine

Q1-Q5	Option	Option description	
Q1 1943001-			
Q2 1953001-			

Pos	Part	Q1	Q2	Q3	Q4	Q5	PS	Kit	Description	Option(s)	Remark
1	VOE20580535	1	1						Housing		
2	VOE20547288	1	1						Cover Plate		
3	VOE20459989	1	1						Cover		
4	VOE20405729	3	3						Screw		
5	VOE20405729	4	4						Screw		
6	VOE20585971	2	2						Bushing		

7	VOE20405714	2	2					Screw		M12X160
8	VOE20405715	4	4					Screw		M16X150

Date: 2013/11/10	Image id: 00016101	Catalogue: 20042	Model: L45B
Brand: Volvo	Serial: 1941500-1949999, 1951500-1959999	Group/Section: 217/100	Title: Oil sump

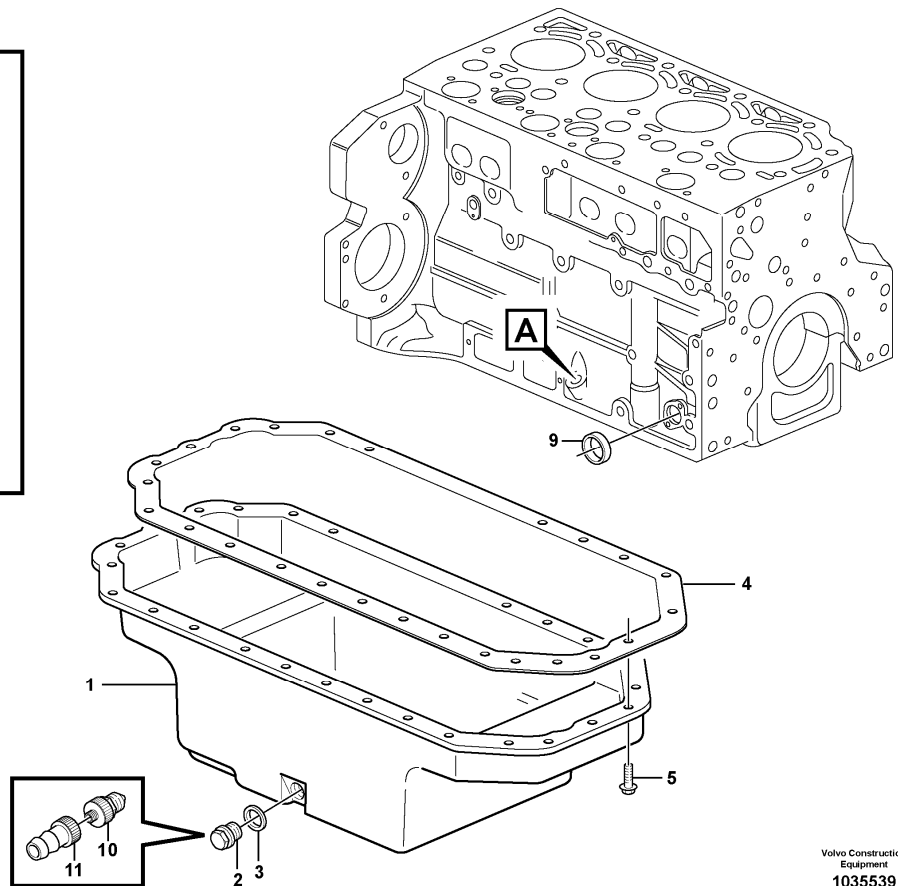
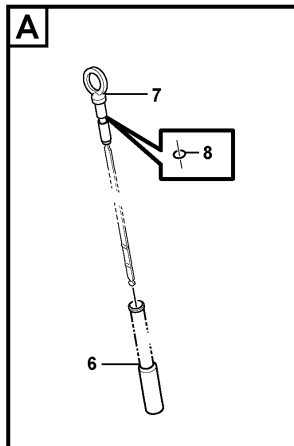


00016101

Q1-Q5	Option	Option description	
Q1 1941500-194300 0			
Q2 1951500-195300 0			

Pos	Part	Q1	Q2	Q3	Q4	Q5	PS	Kit	Description	Option(s)	Remark
1	VOE11700301	1	1						Oil pan		
2	VOE20405506	1	1						•Plug		M18x1,5
3	VOE13947624	1	1						•Plane gasket		(ZM7099511)A18x24
4	VOE20405843	1	1						Gasket		
5	VOE20460386	26	26				SS		Screw		
6	VOE11712439	REQ	REQ				OP		Sealing compound		
7	ZM4384256	1	1						Valve		
8	ZM2285689	1	1						••Chain with cap		

Date: 2013/11/10	Image id: 1035539	Catalogue: 20042	Model: L45B
Brand: Volvo	Serial: 1941500-1949999, 1951500-1959999	Group/Section: 217/110	Title: Oil sump



Volvo Construction
Equipment
1035539

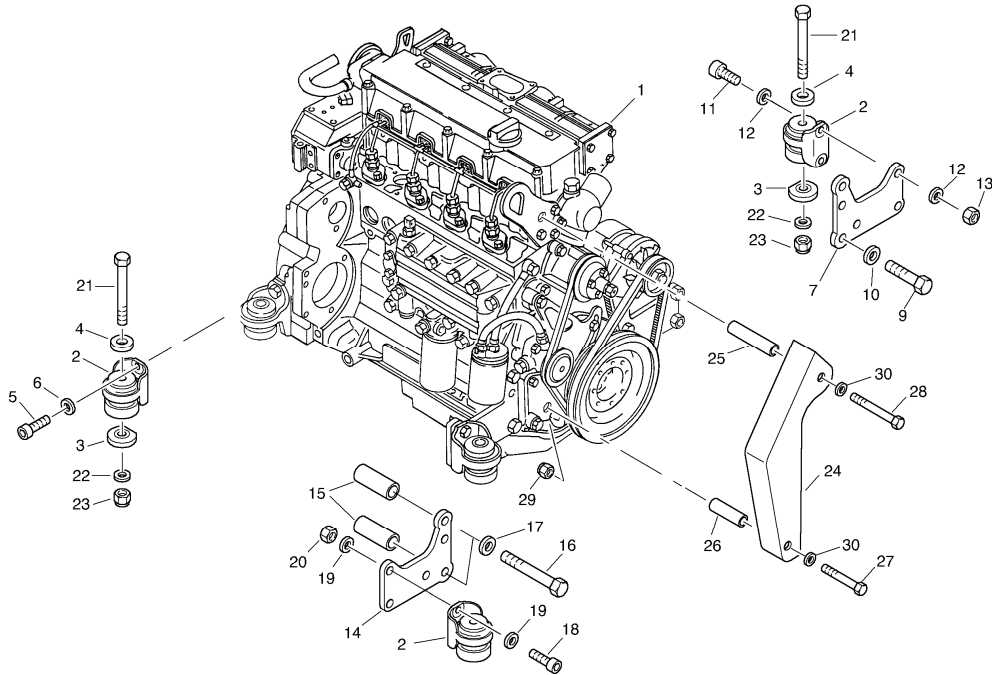
Section option	Kit	Option description
VOE15202333		Engine
VOE15202334		Engine

Q1-Q5	Option	Option description
Q1 1943001-		
Q2 1953001-		

Pos	Part	Q1	Q2	Q3	Q4	Q5	PS	Kit	Description	Option(s)	Remark
1	VOE11700301	1	1						Oil pan		
2	VOE20405506	2	2						•Plug		
3	VOE13947624	2	2						•Plane gasket		
4	VOE20405843	1	1						Gasket		
5	VOE20405792	26	26						Screw		
6	VOE20450869	1	1						Guide tube		

7	VOE21153138	1	1						Dipstick		
8	VOE20412343	1	1						•Sealing ring		
9	VOE20412745	1	1						Core plug		
10	VOE20450851	1	1						Drain valve		
11	VOE20478246	1	1						Hose		

Date: 2013/11/10	Image id: 00051201	Catalogue: 20042	Model: L45B
Brand: Volvo	Serial: 1941500-1949999, 1951500-1959999	Group/Section: 218/100	Title: Engine assy



00051201

Q1-Q5	Option	Option description	
Q1 1941500-194300 0			
Q2 1951500-195300 0			

Pos	Part	Q1	Q2	Q3	Q4	Q5	PS	Kit	Description	Option(s)	Remark
1	VOE11306245	1							Engine		
1	VOE11306393		1						Engine		
2	VOE20580444	4	4						•Engine Mounting		(ZM4069770)
3	ZM4056150	4	4				SS		•Plate		24 mm
4	VOE20580526	4	4						•Washer		(ZM4057641)
5	VOE11306210	4	4						•Allen Head Screw		(ZM7096563)M12x30
6	ZM3067462	4	4				SS		•Washer		
7	VOE20405731	1	1						•Bracket		
9	VOE20535027	2	2						•Screw		(ZM2908450)
10	VOE20405606	2	2						•Washer		(VOE20527151)
11	VOE11305061	2	2						•Allen Hd Screw		M12x35
12	ZM3067462	4	4				SS		•Washer		

13	VOE979019	2	2						•Hexagon nut		M12
14	VOE20405815	1	1						•Bracket		
15	VOE20580517	2	2						•Bushing		(ZM2907044)
16	VOE980465	2	2						•Hexagon screw		M16x110
17	VOE20405606	2	2						•Washer		(VOE20527151)
18	VOE11305061	2	2						•Allen Hd Screw		M12x35
19	ZM3067462	4	4				SS		•Washer		
20	VOE979019	2	2						•Hexagon nut		M12
21	VOE979934	4	4						Flange screw		M12x130
22	VOE13960145	4							Washer		S/N - 1941656
	VOE13960145		4						Washer		S/N - 1951834
23	VOE981315	4	4						Lock nut		VM12
24	ZM2816068	1	1						Belt Protector		
25	ZM2816069	1	1						Tube		
26	ZM2816066	1	1						Pipe		
27	ZM7095980	1	1						Screw		M10x100
28	VOE11306529	1	1						Hexagon screw		M10x175
29	VOE13971098	1	1						Flange nut		M10
30	VOE13960143	2	2						Washer		10,5

Thank you so much for reading.
Please click the “Buy Now!”
button below to download the
complete manual.



After you pay.

You can download the most
perfect and complete manual in
the world immediately.

Our support email:

ebooklibonline@outlook.com