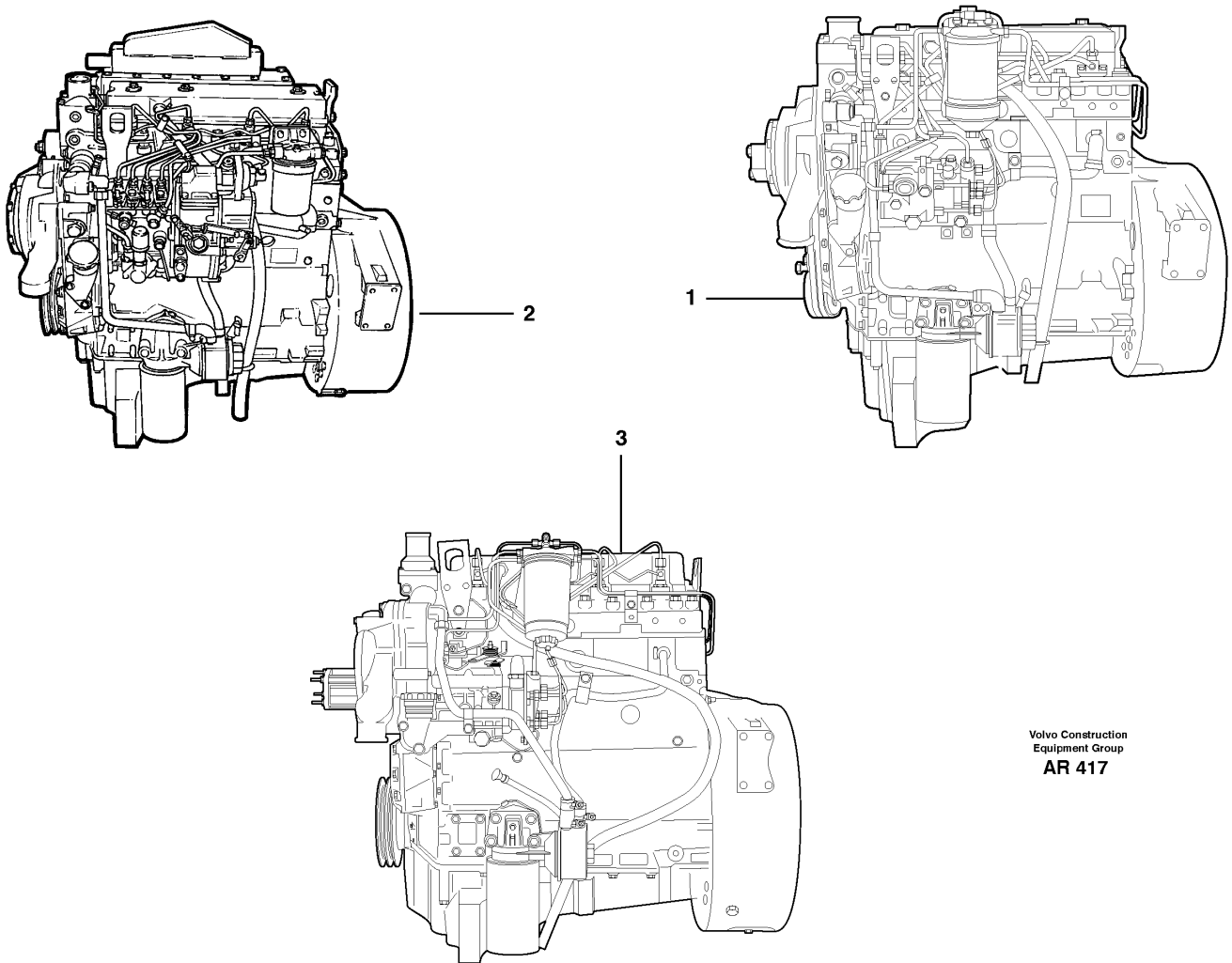


Date: 2014/1/23	Image id: AR417	Catalogue: 97789	Model: L50C
Brand: Volvo	Serial: 10967-13000	Group/Section: 210/100	Title: Engine TD40GA, TD40KAE, TD40GFE

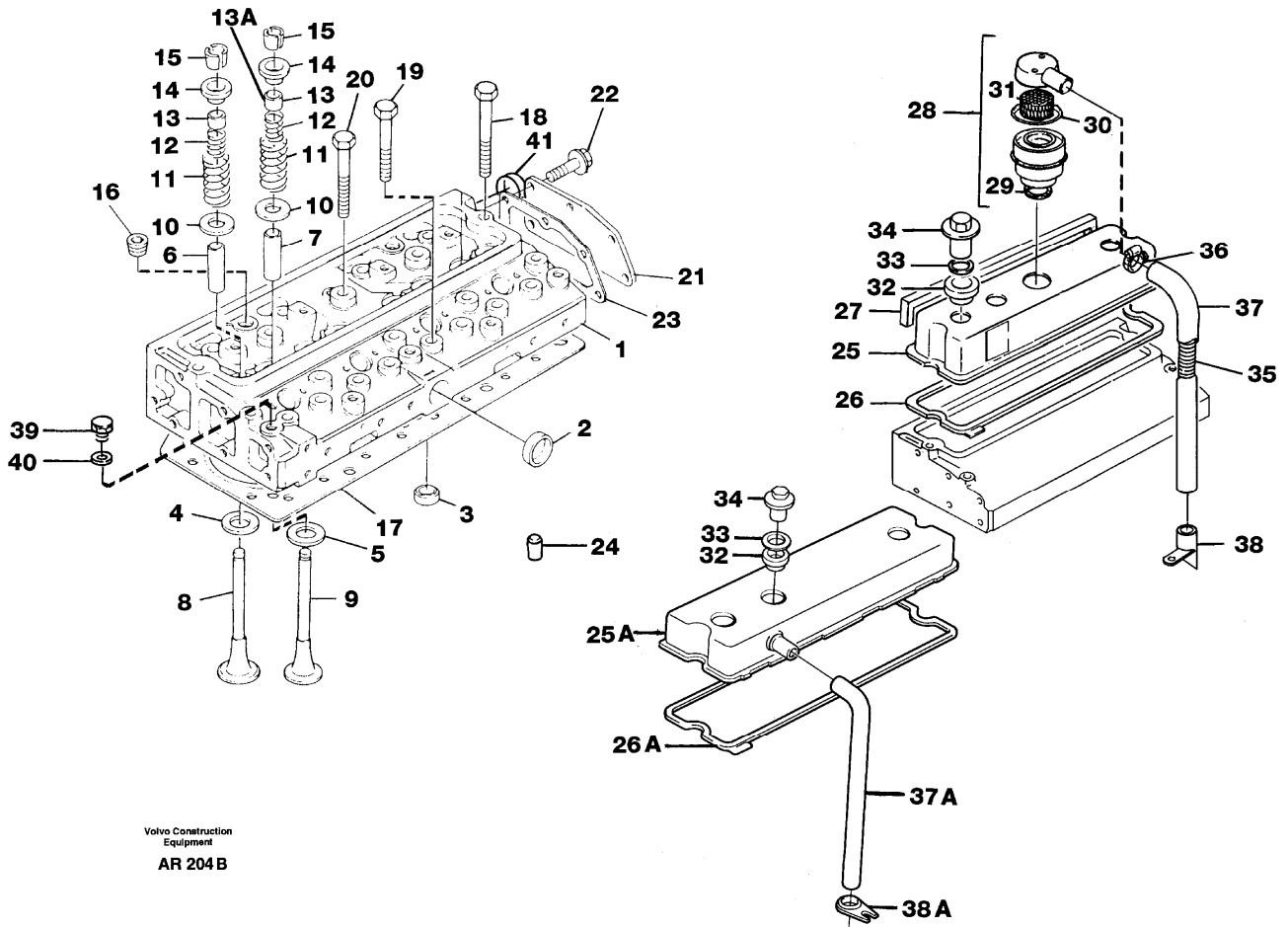


Volvo Construction
Equipment Group
AR 417

Section option	Kit	Option description
VOE11033367		Engine Td40ga
VOE11033630		Low emission engine TD40KAE
VOE11110094		Low emission engine TD40GFE

Pos	Part	Q1	Q2	Q3	Q4	Q5	PS	Kit	Description	Option(s)	Remark
1	VOE11033367	1							Engine	VOE94573	TD40GA SER NO 10967 -
2	VOE11033630	1							Engine		TD40KAE STD L50C SER NO - 11232
3	VOE11110094	1					OP		Engine		TD40GFE STD L50C SER NO 11233 -

Date: 2014/1/23	Image id: AR204B	Catalogue: 97789	Model: L50C
Brand: Volvo	Serial: 10967-13000	Group/Section: 211/50	Title: Cylinder head



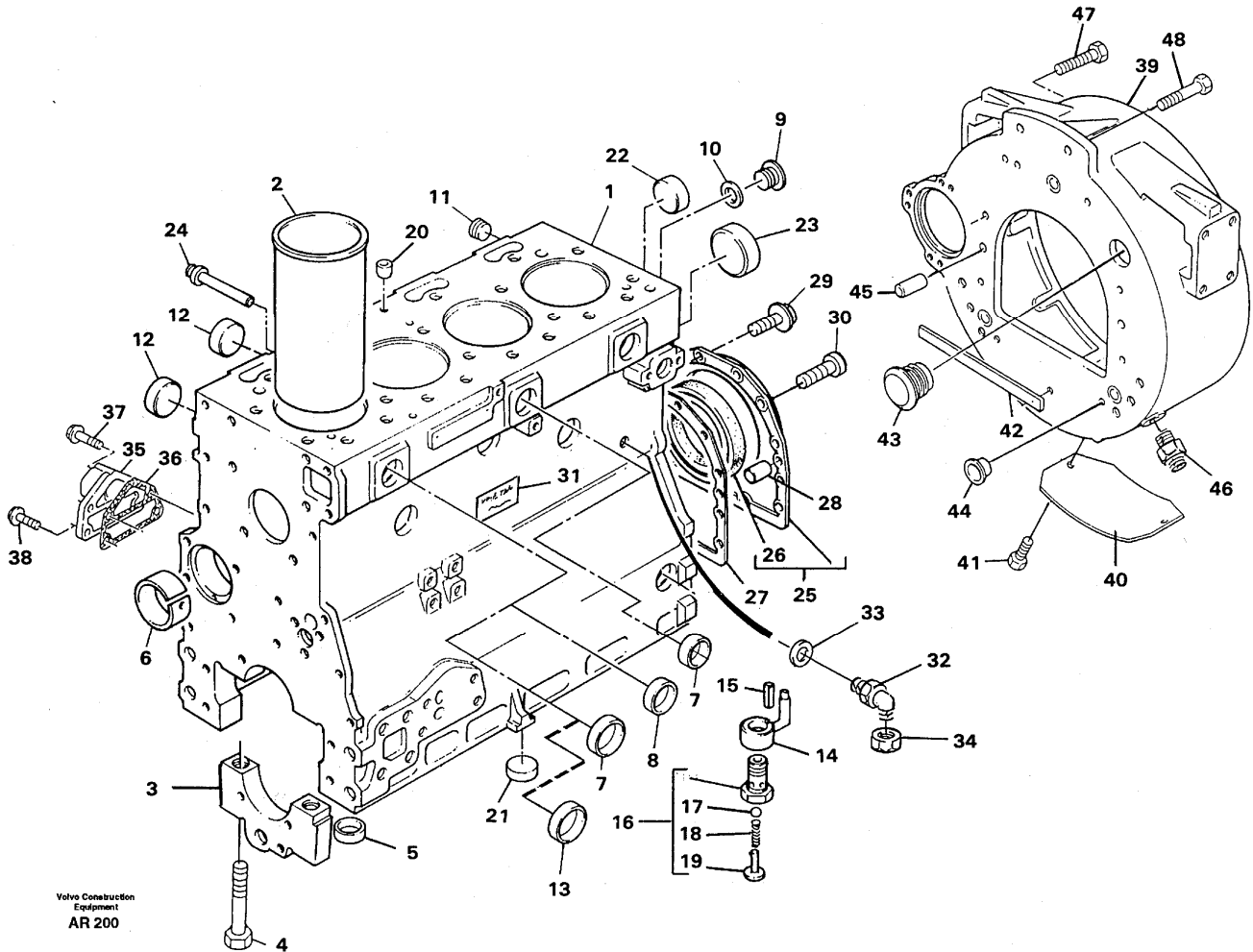
Q1-Q5	Option	Option description	
Q1 TD 40 GA			
Q2 TD 40 KAE			
Q3 TD 40 GFE			

Pos	Part	Q1	Q2	Q3	Q4	Q5	PS	Kit	Description	Option(s)	Remark
	VOE11701680	1					SS		Cylinder head		TD 40 GA
	VOE11704292	1							Cylinder head		
	VOE11988398		1						Cylinder head		(VOE11701682) (11999007) TD 40 KAE
	VOE11706970			1					Cylinder head		(VOE11704236)TD 40 GFE
1		1	1	1			NS		•Cylinder head		
2	VOE483898	1	1	4					•Plug		
3	VOE11997836	4	4						•Plug		

4	VOE11997016	4	4						•Valve seat		Insug/Inlet
	VOE3976534			4					•Valve seat		Insug/Inlet
5	VOE11997017	4							•Valve seat		Avgas/Exhaust
	VOE11999008		4				SS		•Valve seat		Avgas/Exhaust
	VOE3976535			4					•Valve seat		Avgas/Exhaust
6	VOE11705294	4	4						•Valve guide		(VOE11999009)Inlet/ Insug
	VOE11709760			4			SS		•Valve guide		(VOE3976537)Inlet/ Insug
7	VOE11705753	4	4						•Valve guide		(VOE11997842)Avgas/ Exhaust
	VOE11706969			4					•Valve guide		(VOE3976729)Avgas/ Exhaust
8	VOE11997018	4							•Inlet valve		
	VOE11997839		4						•Inlet valve		
	VOE3976536			4					•Valve		
9	VOE11997841	4	4						•Exhaust valve		
	VOE11703878			4					•Exhaust valve		
10	VOE6642514	8	8						•Washer		
11	VOE11991724	8	8						•Spring		
	VOE3976538			8					•Valve spring		(VOE11703876)
12	VOE11991725	8	8						•Spring		
13	VOE484071	8	8						•Sealing		
	VOE11703877			4					•Valve seal		
13A	VOE11703879			4					•Valve seal		
14	VOE11991726	8	8						•Spring plate		
	VOE3976540			8					•Valve spring washer		
15	VOE483530	16	16						•Valve sleeve		(VOE7483530)
	VOE3976541			16					•Valve sleeve		
16	VOE11997843	4	4	4					•Plug		
17	VOE3976803	1	1						Gasket		(VOE11701545) (11997847)
	VOE3976803			1					Gasket		(VOE3976546)
18	VOE11997844	2	2	2					Screw		
19	VOE11997845	8	8	8					Bolt		
20	VOE11997846	12	12	12					Bolt		
21	VOE11998044	1	1						Plate		
	VOE11703914			1			NS		Plate		
22	VOE946440	3	3	6					Flange screw		
23	VOE11998156	1	1						Gasket		
	VOE11703915			1					Gasket		
24	VOE11701546	1	1						Dowel		
	VOE11703880			1					Dowel		
25	VOE11701698	1							Valve cover		
	VOE11701704		1				OP		Valve cover		
25A	VOE11706635			1			SS		Valve cover		(VOE11705456)
26	VOE11701586	1	1						•Gasket		

26A	VOE11708206			1					•Gasket		(VOE11703904)
27	VOE11998004	1							•Sealing		
	VOE11999024		1						•Sealing		
28	VOE11708343	1	1						Valve		(VOE11701701)
29	VOE11701588	1	1						•O-ring		
30	VOE11701702	1	1						•O-ring		
31	VOE11707285	1	1						•Strainer		(VOE11701703)
32	VOE11997049	3	3	3					Sealing ring		(VOE11998002)
33	VOE13955900	3	3	3					Washer		
34	VOE11988395	3	3	3					Nut		(VOE11999025)
35	VOE11997992	1	1						Spring		
36	VOE11701648	1	1	1			SS		Hose clamp		
37	VOE11712515	1	1						Hose		(VOE11701699)
37A	VOE11705457			1					Hose		
38	VOE11701700	1	1						Pipe		
38A	VOE11997994			1					Bracket		
39	VOE6613238			1					Plug		
40	VOE957180			1					Gasket		
41	VOE11997807			1					Plug		

Date: 2014/1/23	Image id: AR200	Catalogue: 97789	Model: L50C
Brand: Volvo	Serial: 10967-13000	Group/Section: 212/50	Title: Cylinder block TD 40 GA, TD 40 GFE

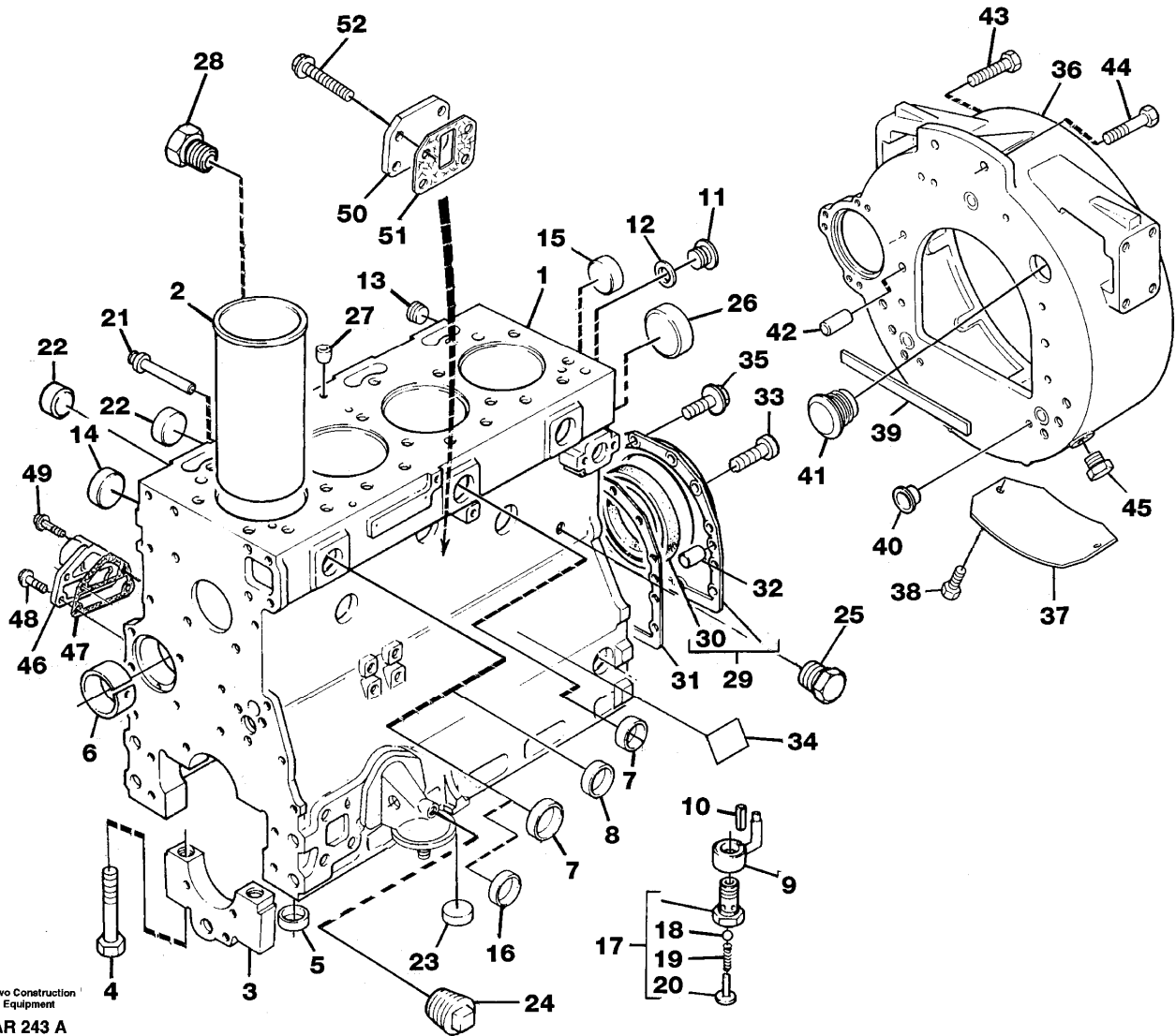


Q1-Q5	Option	Option description	
Q1 TD 40 GA			
Q2 TD 40 GFE			

Pos	Part	Q1	Q2	Q3	Q4	Q5	PS	Kit	Description	Option(s)	Remark
1	VOE11701694	1							Cylinder block		
	VOE11704870		1				SS		Cylinder block		(VOE11701523)
2		4	4						•Cylinder liner		See ref 213/100
3		5	5				NS		•Bearing carrier		
4	VOE6210370	10	10						•Screw		
5	VOE483302	10	10						•Guide sleeve		(VOE7483302)
6	VOE3976506	1							•Bushing		(VOE11997806)
	VOE3976506		1						•Bushing		
7	VOE483898	6	6						•Plug		

8	VOE11997805	1	1						•Plug		
9	VOE483445	1	1						•Plug		(VOE7483445)
10	VOE11997810	1	1						•Washer		
11	VOE968147	1							•Plug		(VOE13926886)
	VOE968147		1						•Plug		
12	VOE11997807	7	7						•Plug		
13	VOE11700782	1	1						•Plug		
14	VOE11714691	4	4						•Nozzle		(VOE11997815)
15	VOE11997816	4	4						•Dowel		
16	VOE11997817	4	4						•Valve		
17	VOE11997818	4	4						••Ball		
18	VOE11997819	4	4						••Spring		
19	VOE11997820	4	4						••Retainer		
20	VOE483645	1	1						Plug		(VOE7483645)
21	VOE6637386	1	1						Plug		
22	VOE11997807	2							Plug		
23	VOE11997809	1					SS		Plug		
	VOE3976749		1						Plug		
24	VOE11997808	1							Plug		
25	VOE11998999	1	1						Cover		
26	VOE6212971	1	1						•Sealing ring		
27	VOE11706327	1	1						Gasket		(VOE11997013)
28	VOE480219	2	2						Pin		(VOE7480219)
29	VOE13946173	10	10						Screw		(VOE946173)
30	VOE11997014	2	2						Screw		
31	VOE11100922	1							Sign		
32	VOE4881042	1							Elbow nipple		
33	VOE932040	1							O-ring		
34	VOE4821971	1							Blind nut		
35	VOE11998028	1							Adapter		
			1				NS		Adapter		
36	VOE11998009	1	1						Gasket		(VOE11998163)
37	VOE11998030	1	1						Screw		
38	VOE11998031	3	3						Screw		
39	VOE11997942	1	1				SS		Flywheel housing		
40		1	1				NS		Plate		
41	VOE11703608	2	2						Screw		
42	VOE6211401	1	1						Gasket		(VOE11702569)
43	VOE11709238	1							Plug		(VOE11702143)
44	VOE11997935	3							Plug		
45	VOE483449	2	2						Pin		(VOE7483449)
46	VOE11039362	1	2						Induction sensor		SE3
47	VOE11701723	6	6				SS		Screw		
48	VOE13965191	2	2						Screw		(VOE11997884)

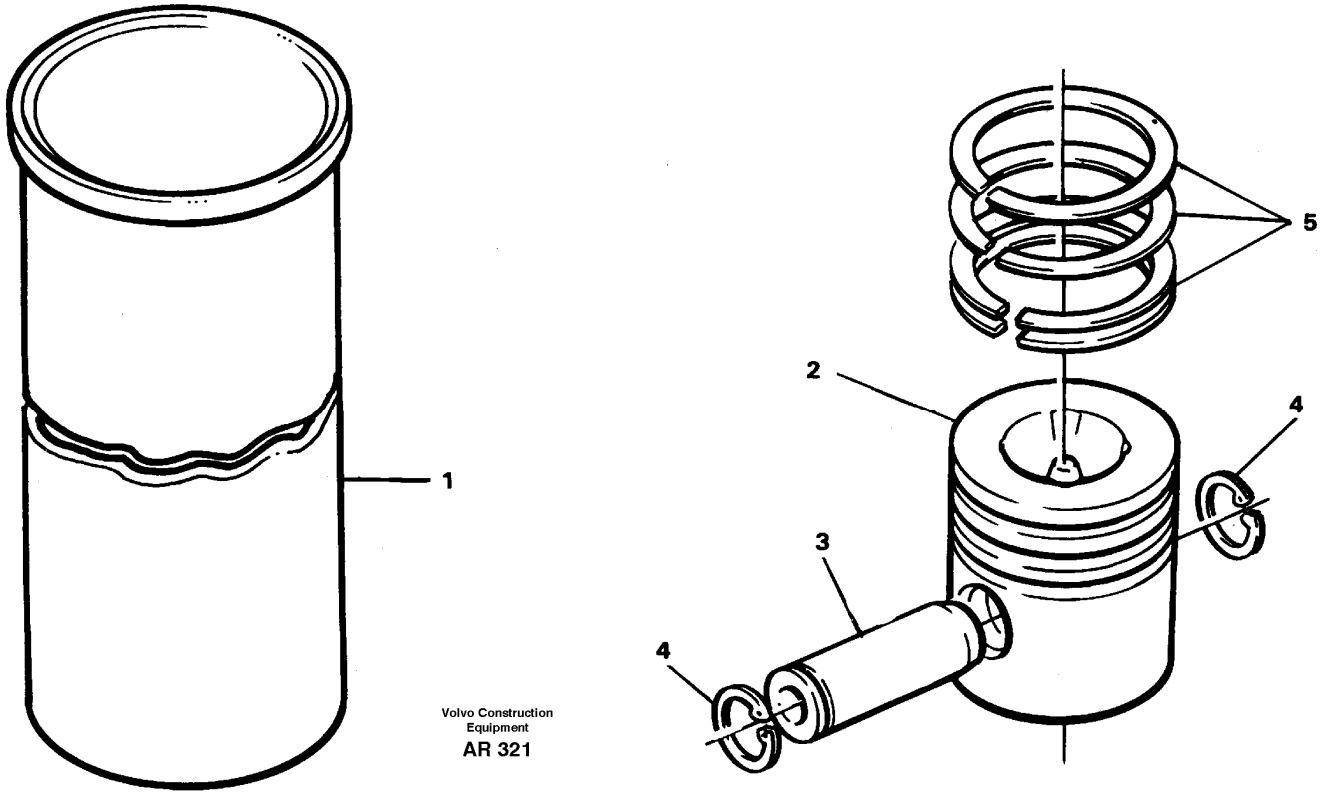
Date: 2014/1/23	Image id: AR243A	Catalogue: 97789	Model: L50C
Brand: Volvo	Serial: 10967-13000	Group/Section: 212/100	Title: Cylinder block TD 40 KAE



Pos	Part	Q1	Q2	Q3	Q4	Q5	PS	Kit	Description	Option(s)	Remark
1	VOE11704870	1					SS		Cylinder block		(VOE11701523)
2		4							•Cylinder liner		See ref 213/100
3		5					NS		•Bearing carrier		
4	VOE6210370	10							•Screw		
5	VOE483302	10							•Guide sleeve		(VOE7483302)
6	VOE3976506	1							•Bushing		(VOE11997806)
7	VOE483898	6							•Plug		
8	VOE11997805	1							•Plug		
9	VOE11714691	4							•Nozzle		(VOE11997815)
10	VOE11997816	4							•Dowel		

11	VOE483445	1							•Plug		(VOE7483445)
12	VOE11997810	1							•Washer		
13	VOE968147	1							•Plug		(VOE13926886)
14	VOE11997807	4							•Plug		
15	VOE11997807	2							•Plug		
16	VOE11700782	1							•Plug		
17	VOE11997817	4							•Valve		
18	VOE11997818	4							••Ball		
19	VOE11997819	4							••Spring		
20	VOE11997820	4							••Retainer		
21	VOE11997808	1							Plug		
22	VOE11997807	4							Plug		
23	VOE6637386	1							Plug		
24	VOE7016325	1							Plug		(VOE11998139)
25	VOE482291	1							Plug		
26	VOE11997809	1					SS		Plug		
27	VOE483645	1							Plug		(VOE7483645)
28	VOE482291	1							Plug		(VOE7482291)
29	VOE11998999	1							Cover		
30	VOE6212971	1							•Sealing ring		
31	VOE11706327	1							Gasket		(VOE11999000)
32	VOE480219	2							Pin		(VOE7480219)
33	VOE11997014	2							Screw		
34	VOE11100921	1							Sign		
35	VOE13946173	10							Screw		(VOE946173)
36	VOE11997942	1					SS		Flywheel housing		
37		1					NS		Plate		
38	VOE11703608	2							Screw		
39	VOE6211401	1							Gasket		(VOE11702569)
40	VOE11997935	3							Plug		
41	VOE11709238	1							Plug		(VOE11702143)
42	VOE483449	2							Pin		(VOE7483449)
43	VOE11701723	6					SS		Screw		
44	VOE13965191	2							Screw		(VOE11997884)
45	VOE13966143	1							Plug		(VOE11997892)
46	VOE11998028	1							Adapter		
47	VOE11998009	1							Gasket		(VOE11998009)
48	VOE11998030	1							Screw		
49	VOE11998031	3							Screw		
50	VOE11998953	1							Plate		
51	VOE11700965	1							Gasket		(VOE11998123)
52	VOE11703644	4							Screw		(VOE946173)L = 20
	VOE946440	1							Flange screw		L = 16

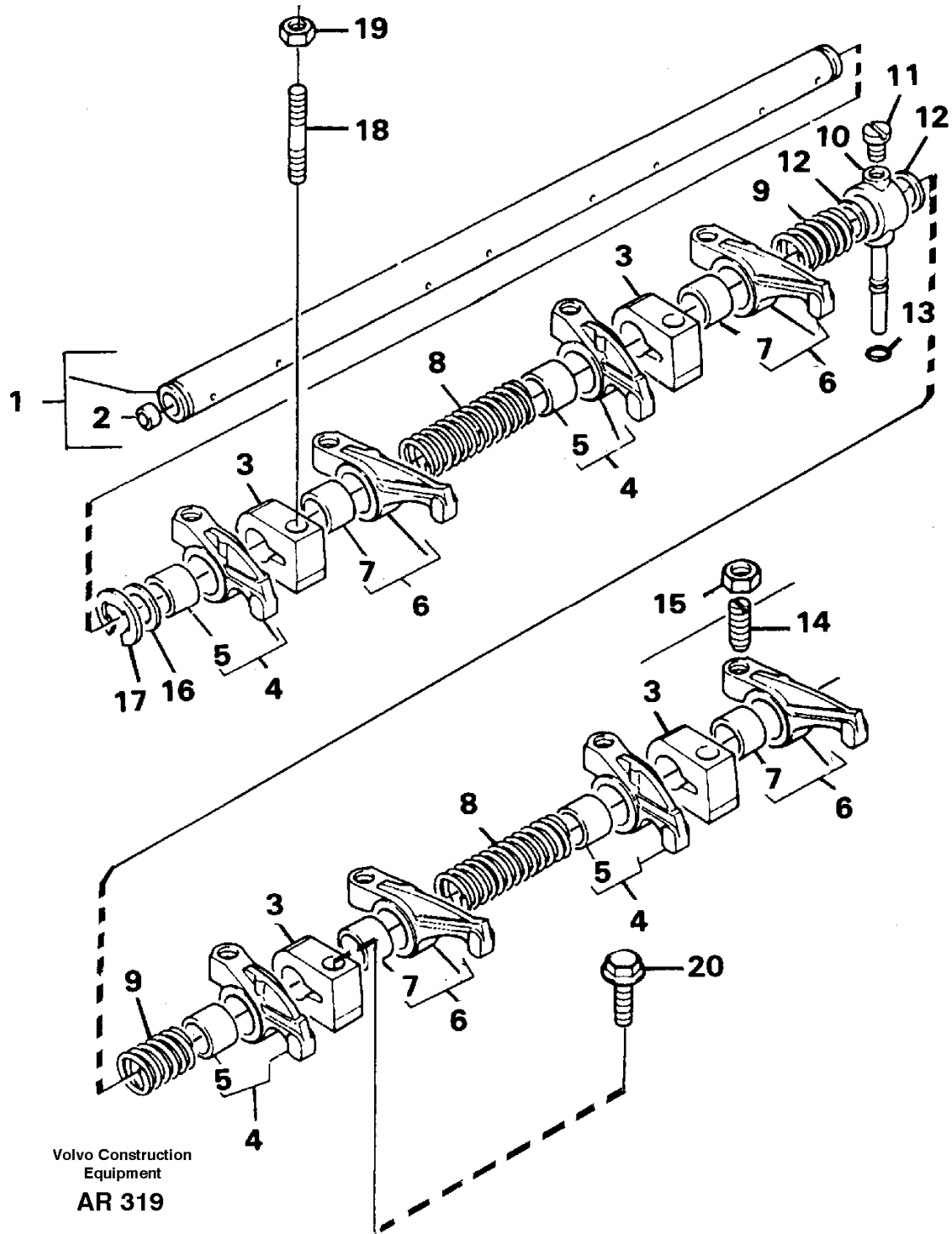
Date: 2014/1/23	Image id: AR321	Catalogue: 97789	Model: L50C
Brand: Volvo	Serial: 10967-13000	Group/Section: 213/100	Title: Cylinder liner and piston



Q1-Q5	Option	Option description	
Q1 TD 40 GA			
Q2 TD 40 KAE			
Q3 TD 40 GFE			

Pos	Part	Q1	Q2	Q3	Q4	Q5	PS	Kit	Description	Option(s)	Remark
1	VOE11998671	4							Cylinder Liner		
	VOE11998997		4	4					Cylinder Liner		
2	VOE11999181	4							Piston Kit		
	VOE11700813		4						Piston Kit		Grade / Klass L
	VOE3976526			REQ					Piston Kit		(VOE11703873)HIGH
	VOE3976526			REQ					Piston Kit		(VOE11703874)LOW
3		4	4	4			NS		•Piston pin		
4	VOE11997831	8							•Lock Ring		
	VOE11998877		8	8					•Snap Ring		
5	VOE11999927	4	4						Piston Ring Kit		(11999006)
	VOE3976736			4					Piston Ring Kit		

Date: 2014/1/23	Image id: AR319	Catalogue: 97789	Model: L50C
Brand: Volvo	Serial: 10967-13000	Group/Section: 214/100	Title: Valve mechanism

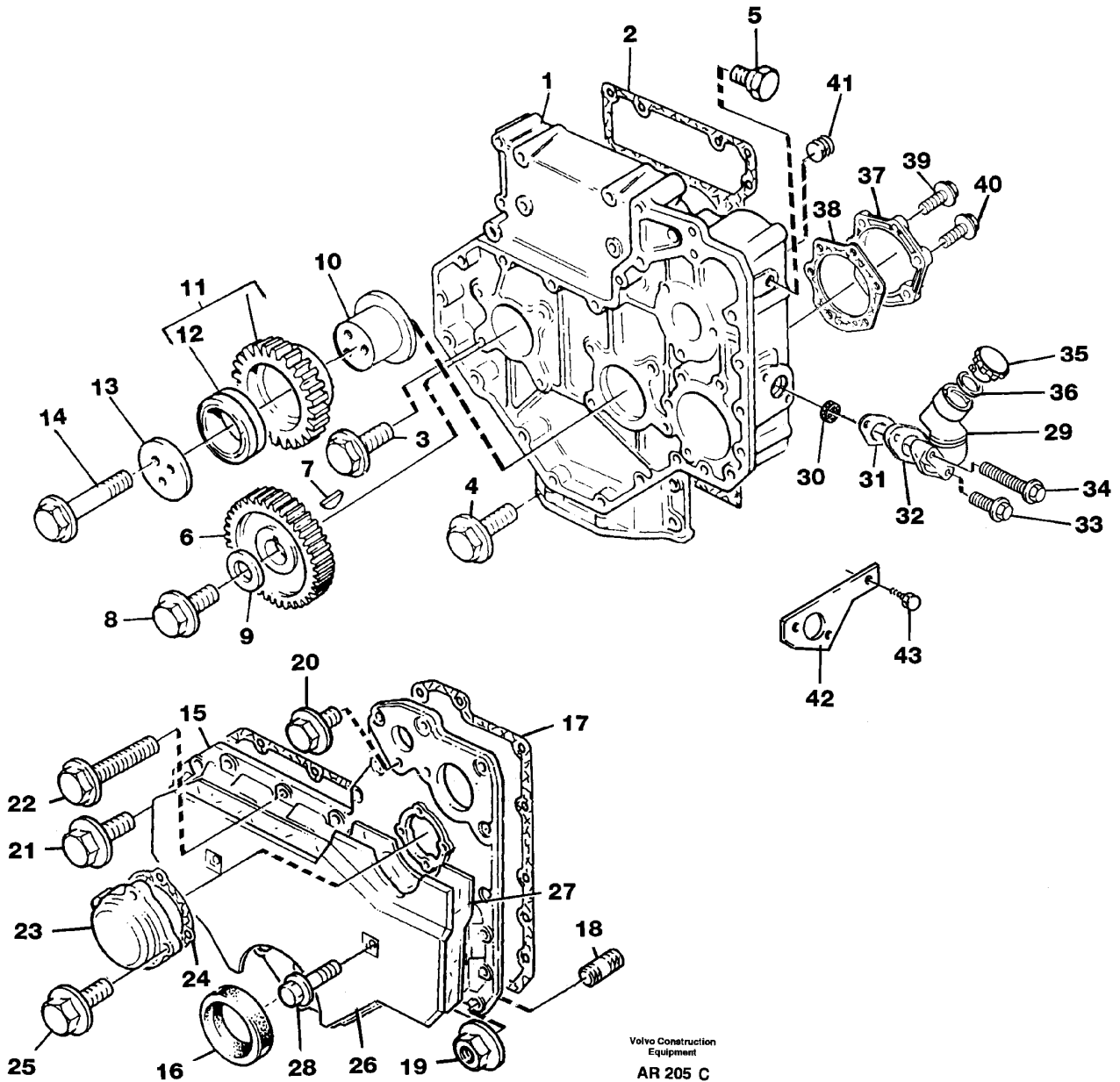


Q1-Q5	Option	Option description	
Q1 TD 40 GA			

Q2 TD 40 KAE			
Q3 TD 40 GFE			

Pos	Part	Q1	Q2	Q3	Q4	Q5	PS	Kit	Description	Option(s)	Remark
	VOE11701547	1	1						Rocker Arm Kit		
	VOE11703881			1					Rocker Arm Kit		
1	VOE483361	1	1						•Rocker Arm Shaft		
	VOE3976548			1					•Rocker Arm Shaft		
2	VOE6613201	2	2	2					••Plug		
3	VOE11997850	4	4	4					•Bearing Bracket		
4	VOE11704518	4	4						•Rocker Arm		
	VOE11703882			4					•Rocker Arm		
5	VOE11998104	4	4						••Bushing		
	VOE11988424			4					••Bushing		(VOE3976738)
6	VOE11704584	4	4						•Rocker Arm		
	VOE11703883			4			SS		•Rocker Arm		
7	VOE11998104	4	4						••Bushing		
	VOE11988424			4					••Bushing		(VOE3976738)
8	VOE483363	2	2	2					•Spring		(VOE7483363)
9	VOE483364	2	2	2					•Spring		(VOE7483364)
10	VOE11997853	1	1	1					•Pipe		
11	VOE11997854	1	1	1					•Screw		
12	VOE11997855	2	2	2					•Shim		
13	VOE483510	1	1	1					Sealing ring		(VOE7483510)
14	VOE3976859	8	8	8					•Stud		(VOE6616717)
15	VOE940175	8	8	8					•Nut		
16	VOE11997856	2	2						•Washer		
	VOE11703884			2					•Washer		
17	VOE483470	2	2	2					•Lock Ring		(VOE7483470)
18	VOE11997857	3	3	3					Stud		
19	VOE13971096	3	3	3					Flange nut		
20	VOE11997858	1	1	1					Screw		

Date: 2014/1/23	Image id: AR205C	Catalogue: 97789	Model: L50C
Brand: Volvo	Serial: 10967-13000	Group/Section: 215/50	Title: Timing gear casing



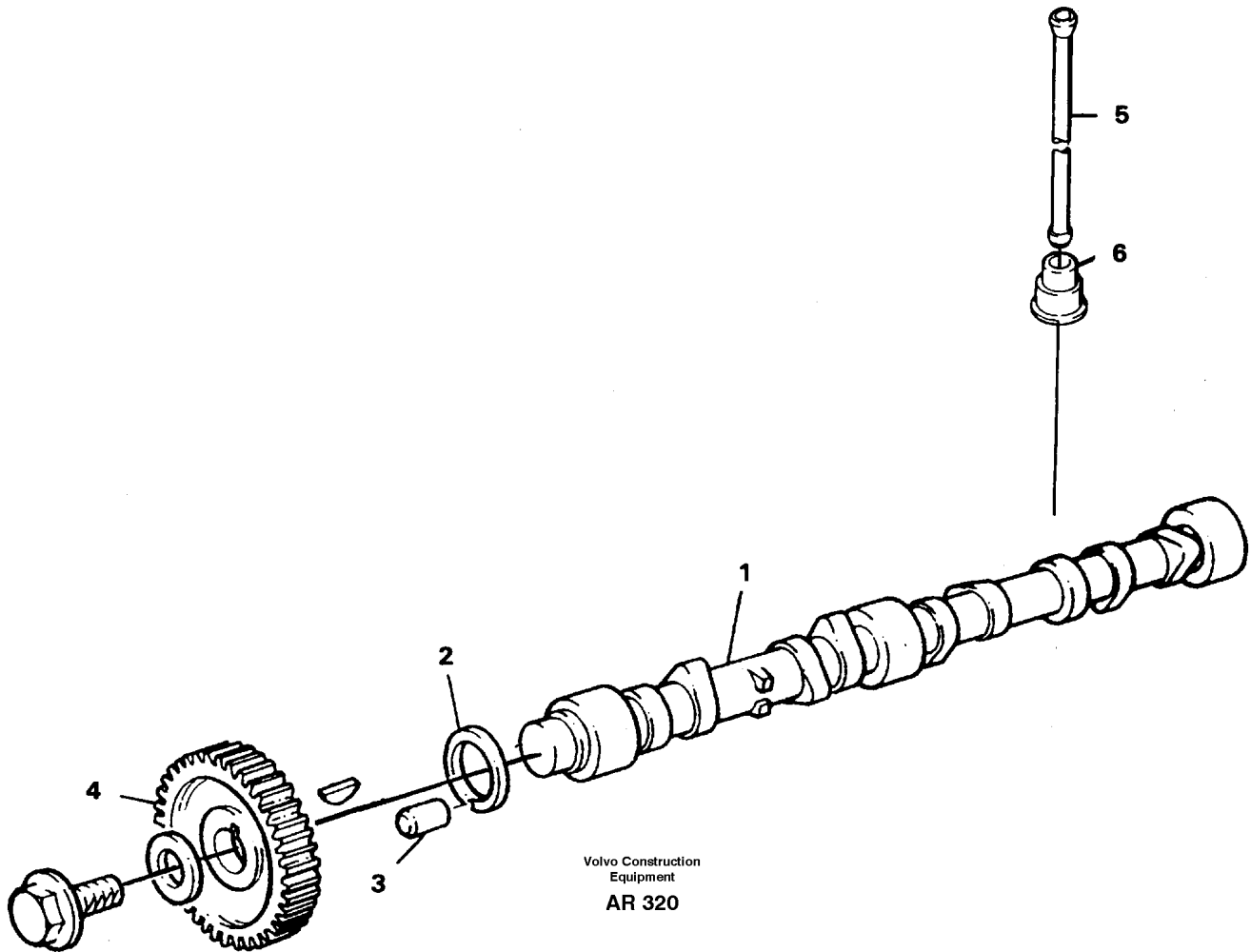
Q1-Q5	Option	Option description	
Q1 TD 40 GA			
Q2 TD 40 KAE			
Q3 TD 40 GFE			

Pos	Part	Q1	Q2	Q3	Q4	Q5	PS	Kit	Description	Option(s)	Remark
1	VOE11716115	1							Timing gear casing		(VOE11997878)
	VOE11703596		1						Timing gear casing		(VOE11998873)

	VOE15017034			1					Timing gear casing		(VOE11703885)
	VOE13945444	1	1	1					Screw		
	VOE946671	6	6	6					Flange screw		
2	VOE11711203	1	1	1					Gasket		(VOE11997879)
3	VOE13946173	8	8	8					Screw		(VOE946173)
4	VOE11997880	4	4						Screw		
	VOE13945444			4					Screw		
5	VOE11999012	1	1						Plug		
6	VOE11700783	1	1						Gear		(VOE11997883)
	VOE11700783			1					Gear		
7	VOE483448	1	1	1					Key		(VOE7483448)
8	VOE11701555	1	1	1					Screw		
9	VOE11997885	1	1	1					Washer		
10	VOE6642825	1	1	1					Hub		
11	VOE11997886	1	1	1					Gear		
12		1	1	1			NS		•Bushing		
13	VOE11701556	1	1	1			SS		Plate		
14	VOE13965187	3	3	3					Screw		
15	VOE11997887	1					SS		Timing gear cover		
	VOE11998874		1				SS		Timing gear cover		
	VOE11707751			1			SS		Cover		(VOE11703887)
16	VOE6212928	1	1	1					•Sealing ring		
17	VOE11988378	1	1						Gasket		(VOE11997888)
	VOE11988377			1					Gasket		(VOE11703888)
18	VOE11997915	2	2						Stud		
	VOE13946173			2					Screw		(VOE11997889)
19	VOE13945408	2	2	2					Nut		
20	VOE13965181	6	6	6					Screw		
21	VOE13945444	1		1					Screw		
	VOE946671		6	6					Flange screw		(VOE11997901)
22	VOE946671	6							Flange screw		(VOE11997901)
23	VOE11997890	1	1						Cover		
24	VOE11997891	1							Gasket		
	VOE11997891		1						Gasket		(VOE11999011)
25	VOE11997893	4	4				SS		Screw		
26	VOE11701557	1	1						Shield		
	VOE3976562			1					Noise shield		
27	VOE11701558	1	1						Damper		
	VOE3976563			1					Sound absorber		
28	VOE945358	2	2	2					Flange screw		(VOE13945358)
29	VOE11704298	1	1						Housing		(VOE11701705)
	VOE11703905			1					Housing		
30	VOE11997996	1	1						Strainer		
31	VOE11997997	1	1	2					Gasket		
32	VOE11707643			1					Spacer		(VOE11703906)
33	VOE13947760	1	1						Screw		
	VOE13965181			1					Screw		

34	VOE11998055	1	1					Screw		
	VOE11998064			1				Screw		
35	VOE11701706	1	1	1				Cap		
36	VOE11999028	1	1	1				•O-ring		
	VOE11997999	1						Sealing ring		
37	VOE11709021	1	1	1				Cover		(VOE11703637)
38	VOE11998164	1	1	1				Gasket		
39	VOE11703638	5	5					Screw		
	VOE11703644			5				Screw		
40	VOE946441	1	1	1				Flange screw		
41	VOE479977	1	1	1				Plug		(VOE952077)
42	VOE11703911			1			NS	Bracket		
43	VOE11703608			1				Screw		

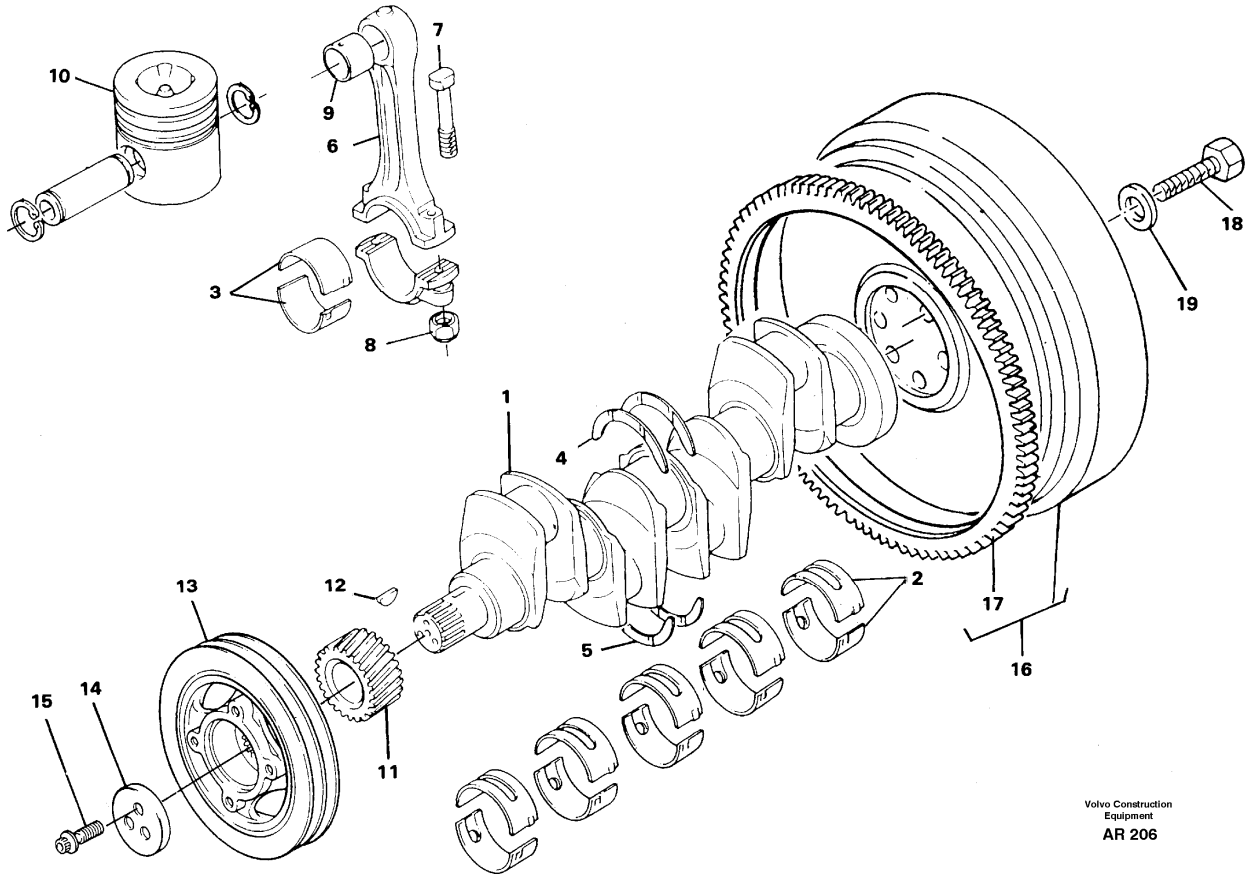
Date: 2014/1/23	Image id: AR320	Catalogue: 97789	Model: L50C
Brand: Volvo	Serial: 10967-13000	Group/Section: 215/100	Title: Camshaft



Q1-Q5	Option	Option description	
Q1 TD 40 GA			
Q2 TD 40 KAE			
Q3 TD 40 GFE			

Pos	Part	Q1	Q2	Q3	Q4	Q5	PS	Kit	Description	Option(s)	Remark
1	VOE11701554	1	1						Camshaft		
	VOE11703886			1					Camshaft		
2	VOE11997882	1	1	1					Washer		
3	VOE6210552	1	1	1					Pin		
4		1	1	1					Gear		See ref 215/50
5	VOE483371	8	8	8					Push rod		
6	VOE3976551	8	8	8					Tappet		

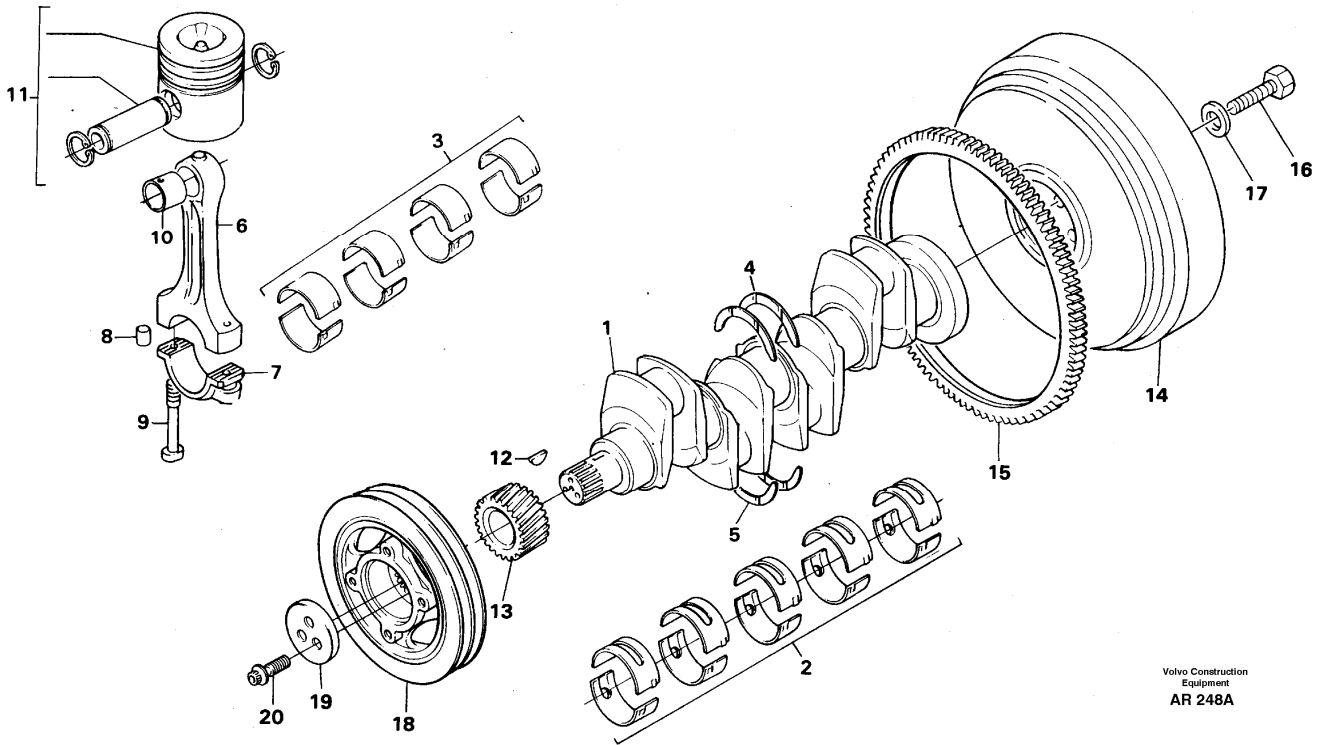
Date: 2014/1/23	Image id: AR206	Catalogue: 97789	Model: L50C
Brand: Volvo	Serial: 10967-13000	Group/Section: 216/50	Title: Crankshaft and related parts TD 40 GA



Volvo Construction
Equipment
AR 206

Pos	Part	Q1	Q2	Q3	Q4	Q5	PS	Kit	Description	Option(s)	Remark
1	VOE11706646	1							Crankshaft		(VOE11999001)
2	VOE483350	1							•Main bearing kit		STD SZ
	VOE483351	1							•Main bearing kit		(VOE7483351)0,25 U SZ
	VOE483352	1							•Main bearing kit		(VOE7483352)0,50 U SZ
	VOE483353	1							•Main bearing kit		(VOE7483353)0,75 U SZ
3	VOE11997824	1							•Big End Brg Kit		STD SZ
	VOE11997825	1							•Big End Brg Kit		0.25 U SZ
	VOE11997826	1							•Big End Brg Kit		0.50 U SZ
	VOE11997827	1							•Big End Brg Kit		0.75 U SZ
4	VOE483336	2							•Thrust washer		(VOE7483336)STD SZ
	VOE483338	2							•Thrust washer		0,19 O SZ
5	VOE483337	2							•Thrust washer		(VOE7483337)STD SZ
	VOE483339	2							•Thrust washer		(VOE7483339)0,19 O SZ

Date: 2014/1/23	Image id: AR248A	Catalogue: 97789	Model: L50C
Brand: Volvo	Serial: 10967-13000	Group/Section: 216/100	Title: Crankshaft and related parts TD 40 KAE, TD 40 GFE



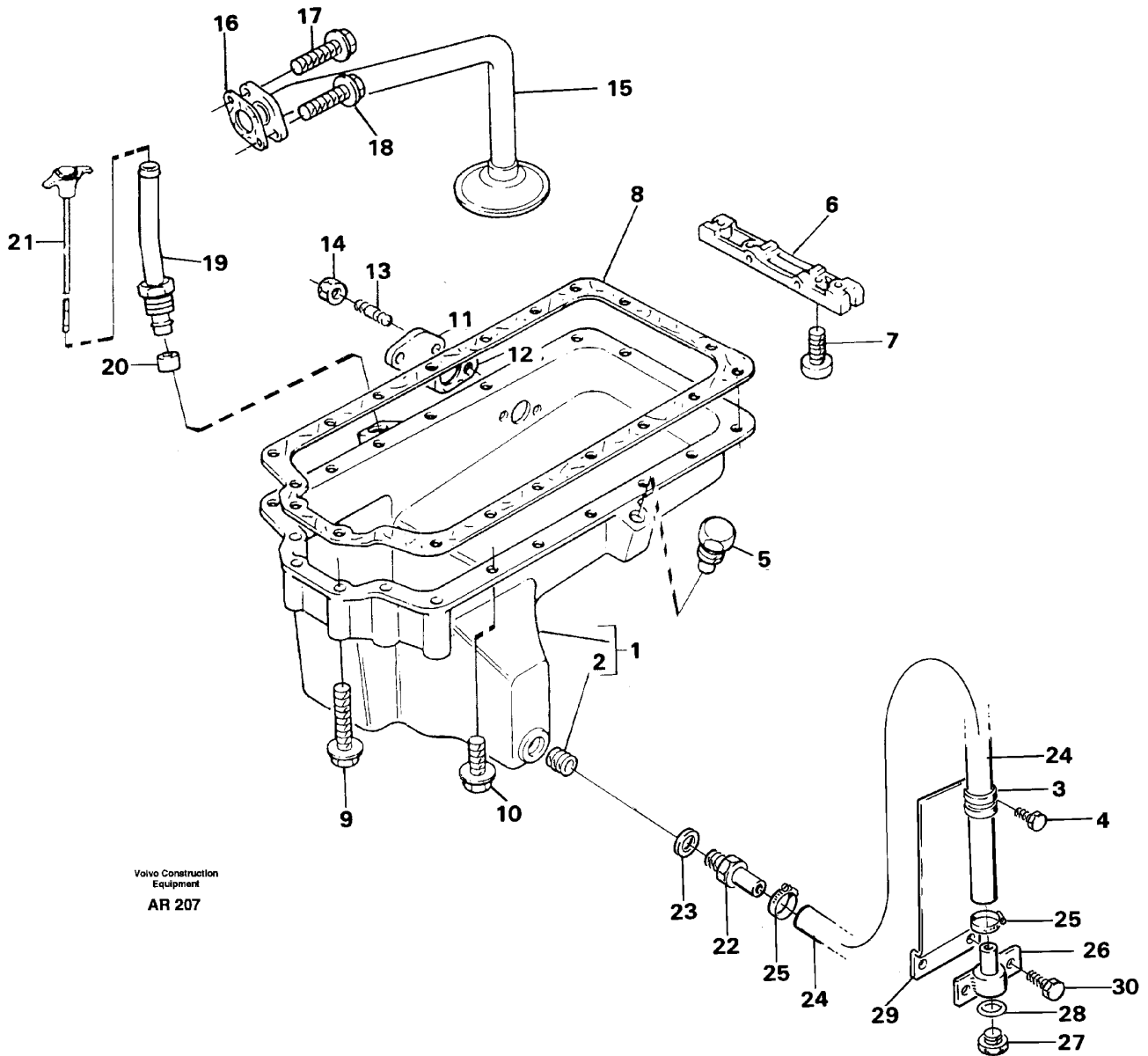
Volvo Construction
Equipment
AR 248A

Q1-Q5	Option	Option description	
Q1 TD 40 KAE			
Q2 TD 40 GFE			

Pos	Part	Q1	Q2	Q3	Q4	Q5	PS	Kit	Description	Option(s)	Remark
	VOE11706646	1							Crankshaft		(VOE11999001)
	VOE11994472		1				SS		Crankshaft		
1		1	1				NS		•Crankshaft		
2	VOE483350	1	1						•Main bearing kit		(VOE7483350)STD SZ
	VOE483351	1	1						•Main bearing kit		(VOE7483351)0,25 U SZ
	VOE483352	1	1						•Main bearing kit		(VOE7483352)0,50 U SZ
	VOE483353	1	1						•Main bearing kit		(VOE7483353)0,75 U SZ
3	VOE11997824	1	1						•Big End Brg Kit		STD SZ
	VOE11997825	1	1						•Big End Brg Kit		0,25 U SZ
	VOE11997826	1	1						•Big End Brg Kit		0,50 U SZ
	VOE11997827	1	1						•Big End Brg Kit		0,75 U SZ
4	VOE483336	2	2						•Thrust washer		(VOE7483336)STD SZ
	VOE483338	2	2						•Thrust washer		0,19 O SZ

5	VOE483337	2	2						•Thrust washer		(VOE7483337)STD SZ
	VOE483339	2	2						•Thrust washer		(VOE7483339)0,19 0 SZ
	VOE11999002	4						SS	Connecting rod kit		
	VOE11703872		4					SS	Connecting rod kit		
6		4	4					NS	•Connecting rod		
7		4	4					NS	•Cap		
8	VOE11999005	8	8						•Sleeve		
9	VOE11999004	8	8						•Screw		
10	VOE11999621	4							•Bearing bushing		(VOE11999003)
	VOE3976525		4						•Bushing		
11		4	4						Piston		See ref 213/100
12	VOE483448	1	1						Key		(VOE7483448)
13	VOE11997833	1	1						Gear		Connecting rod / vevaxel
14	VOE11999539	1	1						Flywheel		
15	VOE11997947	1	1						•Gear ring		
16	VOE11997945	10	10						Bolt		
17	VOE11997946	10	10						Washer		
18	VOE11997969	1	1						Pulley		
19	VOE11997970	1	1						Block		
20	VOE11997971	3	3						Screw		

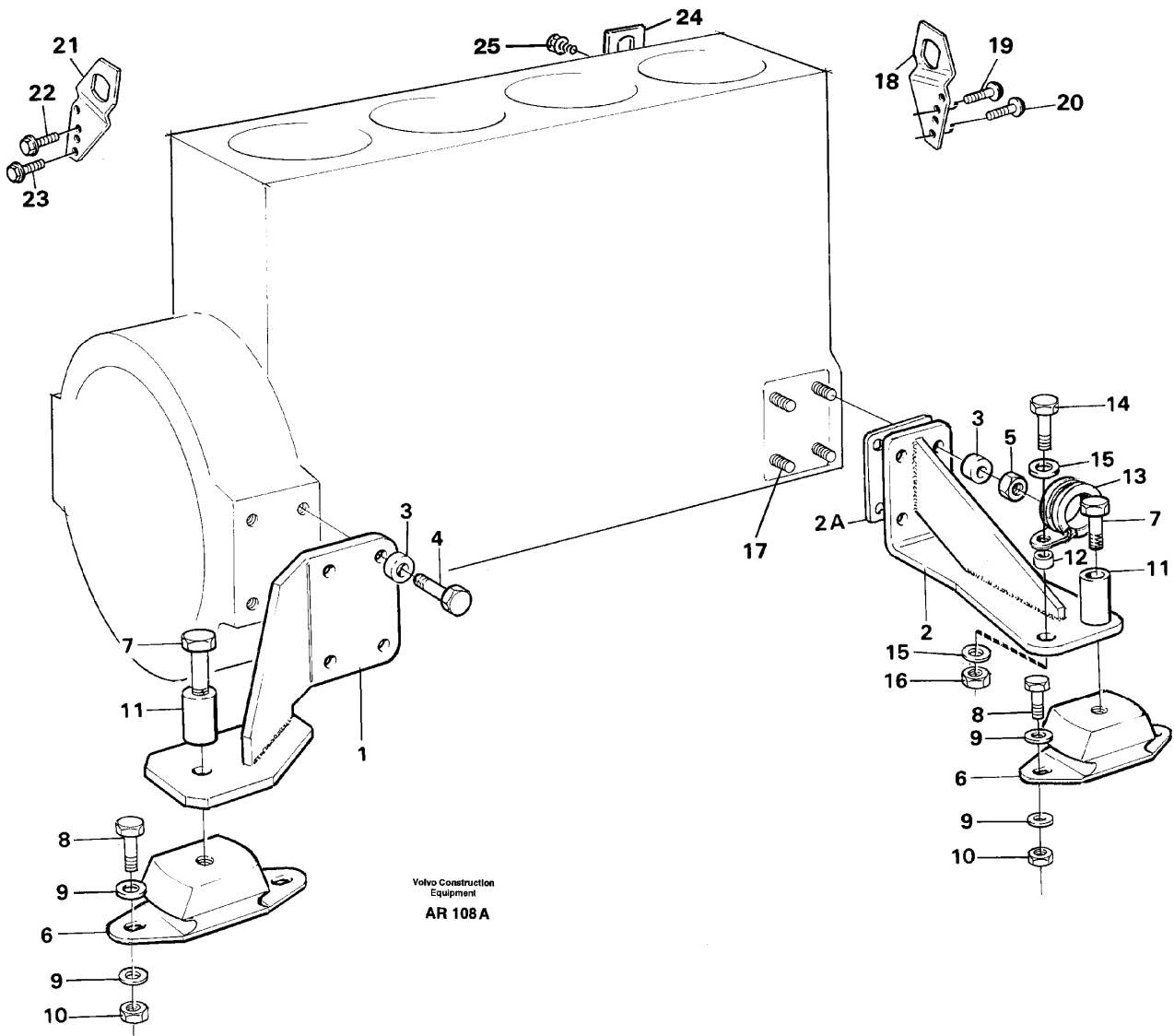
Date: 2014/1/23	Image id: AR207	Catalogue: 97789	Model: L50C
Brand: Volvo	Serial: 10967-13000	Group/Section: 217/50	Title: Oil sump



Pos	Part	Q1	Q2	Q3	Q4	Q5	PS	Kit	Description	Option(s)	Remark
1	VOE11997972	1							Oil pan		
2	VOE11997987	2							•Insert sleeve		
3	VOE952633	1							Clamp		
4	VOE13946544	1							Screw		
5	VOE11997975	1							Plug		
6	VOE11701581	1							Bridge		(11997259)
7	VOE11997813	2					SS		Screw		
8	VOE11997979	1							Gasket		

9	VOE13965182	6							Screw		
10	VOE13946173	14							Screw		(VOE946173)
11	VOE11997976	1							Plate		
12	VOE11988389	1							Gasket		(VOE11997977) TD40GA, TD40KAE
	VOE11703902	1							Gasket		TD40GFE
13	VOE13946173	2							Screw		(VOE11997889)
14	VOE13945408	2							Nut		
15	VOE11997980	1							Pipe		
16	VOE11997981	1							Gasket		
17	VOE11997982	1							Screw		TD40GA, TD40KAE
	VOE13965183	1							Flange screw		TD40GFE
18	VOE11997983	1							Screw		TD40GA, TD40KAE
	VOE13965218	1							Screw		TD40GFE
19	VOE11703345	1							Tube		(VOE11701831)
20	VOE11997985	1							O-ring		
21	VOE11701813	1							Dipstick		
22	VOE11091711	1							Hose nipple		
23	VOE944250	1							Gasket		
24	VOE13961191	REQ							Hydraulic hose		L=560mm
25	VOE13943472	2							Hose clamp		(VOE943472)
26	VOE4850236	1							Nipple		
27	VOE926370	1							Plug		
28	VOE958225	1							O-ring		
29	VOE11091759	1							Hose retainer		
30	VOE946671	2							Flange screw		

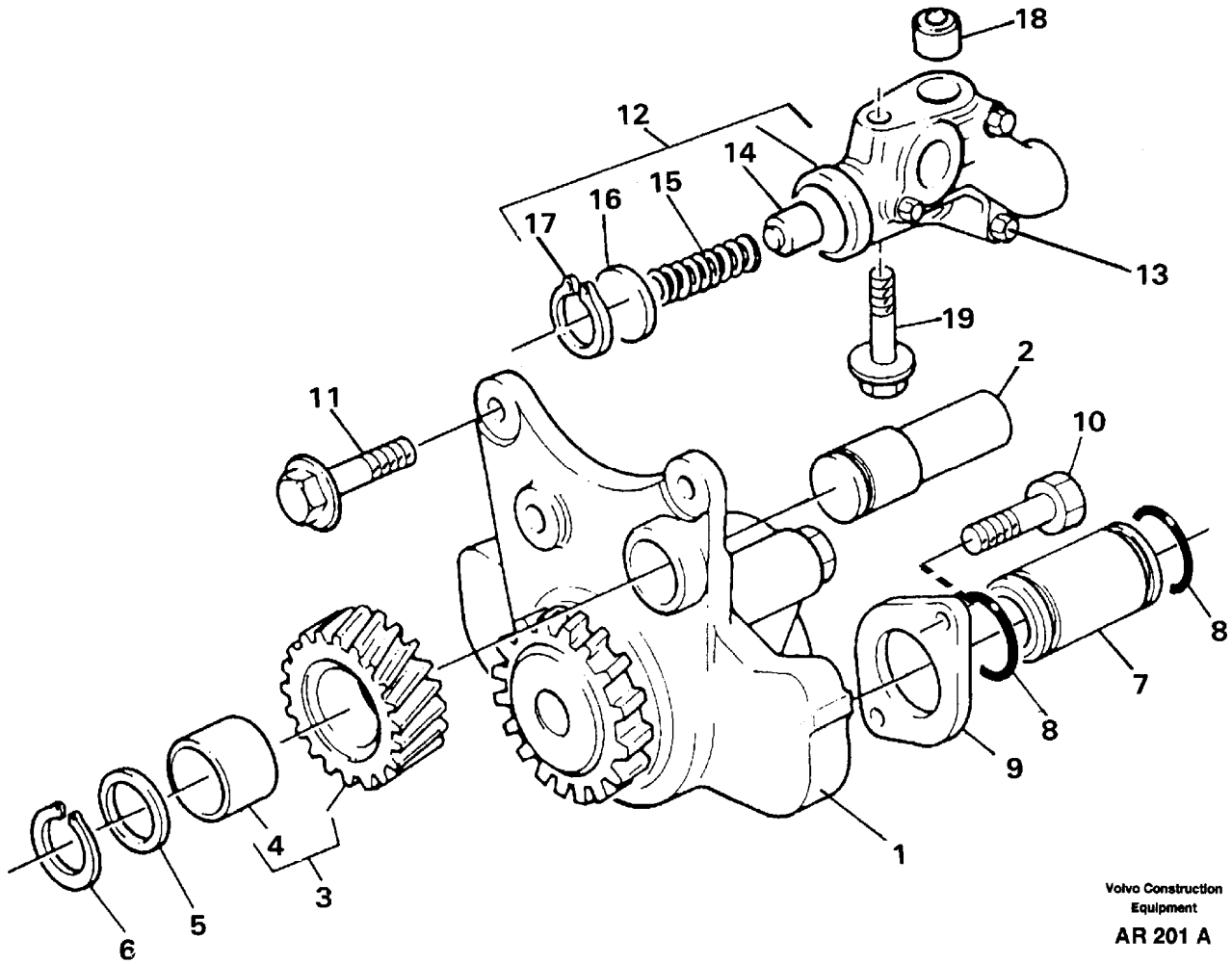
Date: 2014/1/23	Image id: AR108A	Catalogue: 97789	Model: L50C
Brand: Volvo	Serial: 10967-13000	Group/Section: 218/50	Title: Engine mounting



Pos	Part	Q1	Q2	Q3	Q4	Q5	PS	Kit	Description	Option(s)	Remark
1	VOE11091320	1							Engine anchorage		LH
	VOE11090588	1							Engine anchorage		RH
2	VOE11090952	1							Engine anchorage		(VOE11090591)RH, TD 40 GA
	VOE11090952	1							Engine anchorage		RH, TD 40 KAE
2A	VOE11091319	1							Spacer		
3	VOE4850822	12							Spacer		
4	VOE13965192	8							Screw		
5	VOE13971096	8							Flange nut		
6	VOE11090592	4							Rubber cushion		

7	VOE13955370	4							Screw		
8	VOE13965192	8							Screw		
9	VOE13960145	16							Washer		
10	VOE971099	8							Flange lock nut		(VOE13971099)
11	VOE4713119	4							Spacer ring		
12	VOE930445	1							Spacer ring		
13	VOE942810	1							Clamp		
14	VOE940142	1							Hexagon screw		
15	VOE13960143	2							Washer		
16	VOE955782	1							Hexagon nut		
17	VOE11998146	8							Stud		
18	VOE11998149	1							Lifting plate		TD40GA, TD40KAE
19	VOE946329	2							Flange screw		L = 25mm
20	VOE946472	2							Flange screw		L = 30mm
21	VOE11998148	1							Lifting plate		TD40GA, TD40KAE
	VOE3976665	1					NS		Lifting plate		TD40GFE
22	VOE946441	2							Flange screw		L = 20mm
23	VOE946329	2							Flange screw		L = 25mm
24	VOE11703952	1					NS		Lifting plate		TD40GFE
25	VOE946329	2							Flange screw		TD40GFE

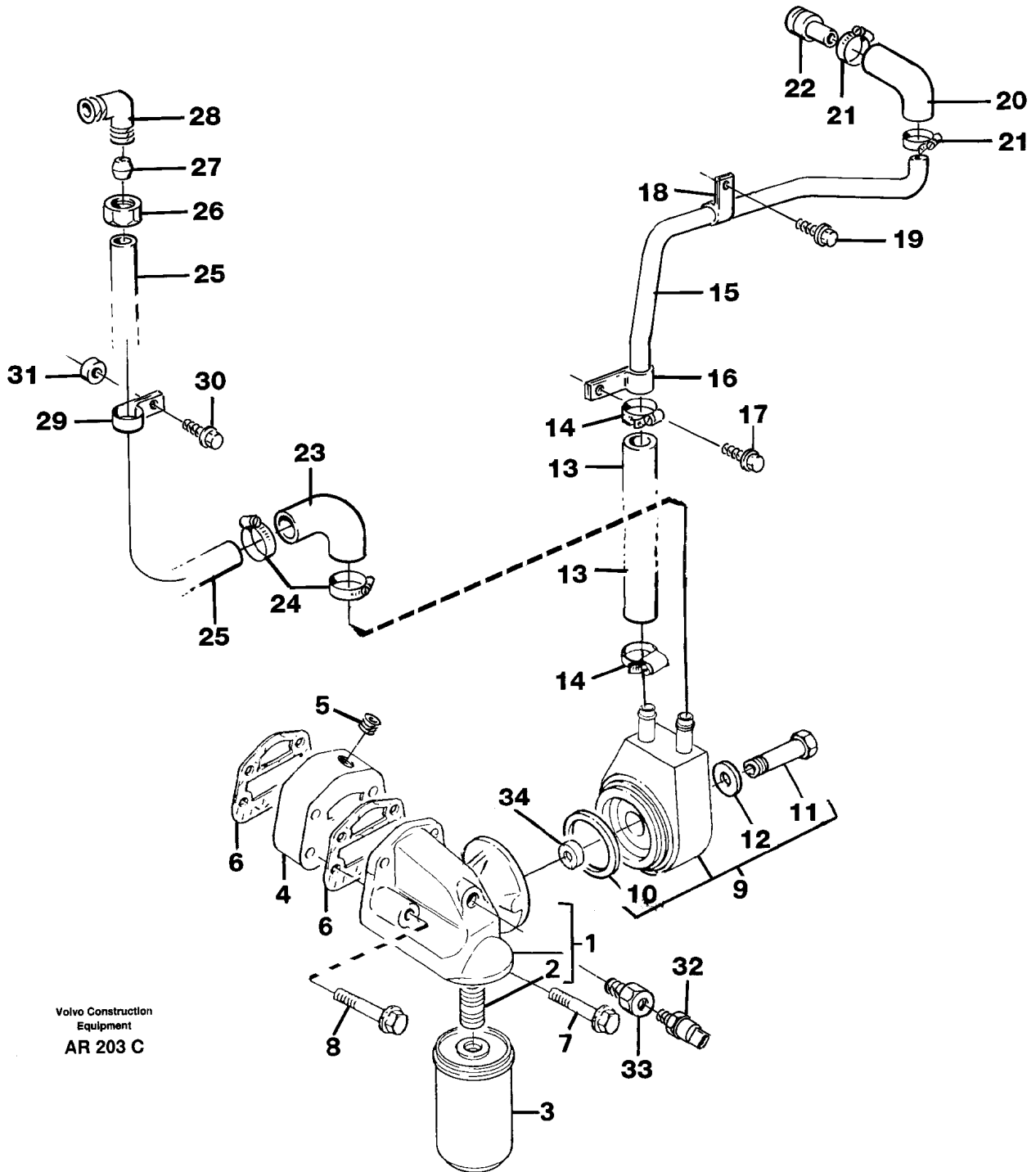
Date: 2014/1/23	Image id: AR201A	Catalogue: 97789	Model: L50C
Brand: Volvo	Serial: 10967-13000	Group/Section: 221/50	Title: Oil pump



Pos	Part	Q1	Q2	Q3	Q4	Q5	PS	Kit	Description	Option(s)	Remark
1	VOE11997020	1							Oil Pump		(VOE11999013)
2	VOE11997006	1							Shaft		(11997896)
3	VOE11997897	1							Gear		
4	VOE11997898	1							•Bushing		
5	VOE11997899	1							Washer		
6	VOE483469	1							Lock Ring		(VOE7483469)
7	VOE11997908	1							Pipe		
8	VOE11997909	2							O-ring		
9	VOE11997910	1							Flange		
10	VOE13945444	2							Flange screw		
11	VOE946671	3							Flange screw		(VOE11997901)
12	VOE11997902	1					SS		Overflow valve		

13	VOE13948356	3							•Flange screw		(VOE11997021)
14	VOE11997903	1							•Piston		
15	VOE11997904	1					SS		•Spring		
16	VOE11997905	1							•Cap		
17	VOE11997906	1							•Lock Ring		
18	VOE6211943	1					SS		Socket		TD40GA, TD40KAE
	VOE11701559	1							Socket		TD40GFE
19	VOE11997907	1					SS		Screw		

Date: 2014/1/23	Image id: AR203C	Catalogue: 97789	Model: L50C
Brand: Volvo	Serial: 10967-13000	Group/Section: 223/50	Title: Oil cooler



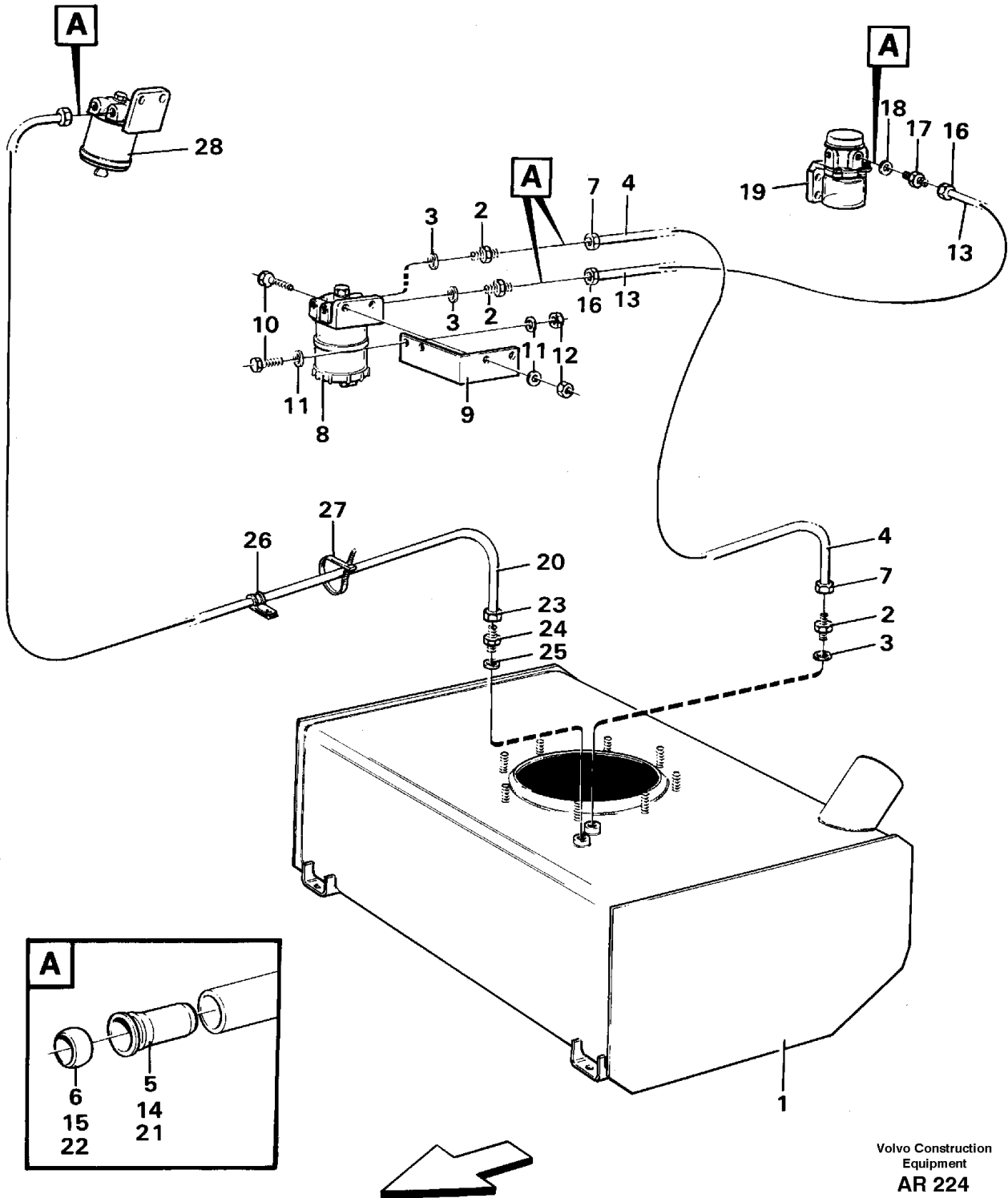
Q1-Q5	Option	Option description	
Q1 TD 40 GA			
Q2 TD 40 KAE			

Q3 TD 40 GFE			
--------------	--	--	--

Pos	Part	Q1	Q2	Q3	Q4	Q5	PS	Kit	Description	Option(s)	Remark
1	VOE11700790	1	1	1					Filter housing		
2	VOE11999547	1	1	1					•Pipe connection		
3	VOE3976603	1	1	1					Oil filter		(VOE11998008)
4	VOE11998012	1	1	1					Adapter		
5	VOE11997843	1	1	1					Plug		
6	VOE11998009	2	2	2					Gasket		(VOE11998009)
7	VOE11700789	2	2	2					Screw		
8	VOE11998011	2	2	2					Screw		
9	VOE11712750	1	1	1					Oil cooler		(VOE11700761)
10	VOE11998014	1	1	1					•Gasket		
11	VOE11700759	1	1	1					•Screw		
12	VOE11700760	1	1	1					•Gasket		
13	VOE11998908	1	1						Hose		
	VOE11703910			1					Hose		
14	VOE943473	2	2						Hose clamp		(VOE11997993)
	VOE11700788			2					Hose clamp		
15	VOE11998023	1							Pipe		
	VOE11998907		1						Pipe		
16	VOE11998029	1							Clamp		
	VOE11998019		1						Clamp		
17	VOE946471		1						Flange screw		
	VOE946440	1							Flange screw		
18	VOE11998024	1	1						Clamp		
	VOE11701647			1					Clamp		
19	VOE946471	1	1						Flange screw		
	VOE946440			1					Flange screw		
20	VOE11998026	1	1						Hose		
21	VOE943473	2	2						Hose clamp		(VOE11997993)
22	VOE11988381	1	1	1					Adapter		(VOE11998027)
23	VOE11998905	1	1						Hose		
	VOE11998908			1					Hose		
24	VOE943473	2	2						Hose clamp		(VOE11997993)
25	VOE11998018	1							Pipe		
	VOE11998902		1						Pipe		
	VOE11703908			1					Water pipe		
26	VOE11998020	1	1	1					Nut		
27	VOE11998021	1	1	1					Ferrule		
28	VOE11991755	1	1	1					Nipple		
29	VOE11998019	1	1						Clamp		
	VOE11703909			1			NS		Clamp		
30	VOE11998032	1	1						Screw		
31	VOE11998033	1	1						Spacer ring		
32	VOE11039249	1	1	1					Pressure monitor		SE16
33	VOE11002439	1	1	1					Nipple		

34	VOE11997927	1	1	1		SS	Sealing ring		
----	-------------	---	---	---	--	----	--------------	--	--

Date: 2014/1/23	Image id: AR224	Catalogue: 97789	Model: L50C
Brand: Volvo	Serial: 10967-13000	Group/Section: 230/50	Title: Fuel system: Fuel tank - fuel pump

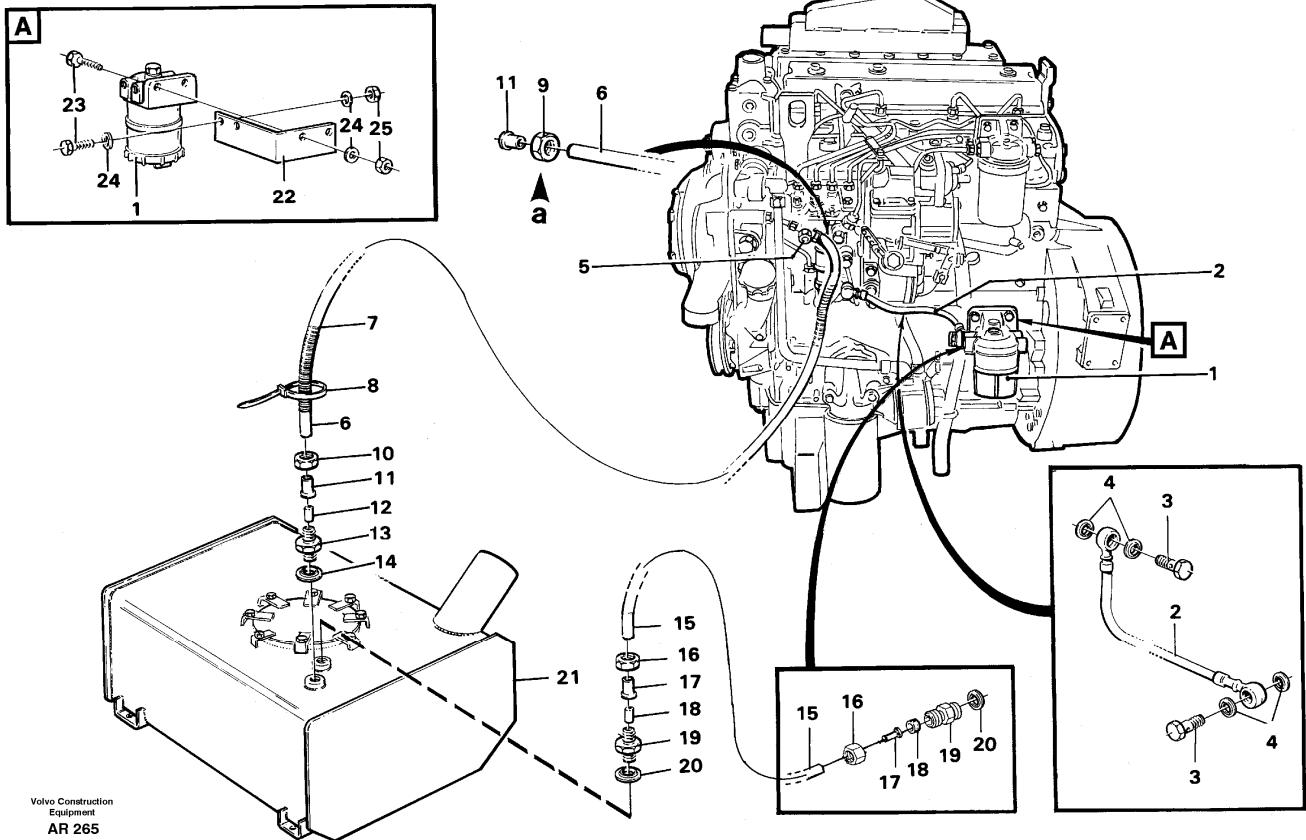


Q1-Q5	Option	Option description	
Q1 TD40GA			

Q2 TD40GFE			
------------	--	--	--

Pos	Part	Q1	Q2	Q3	Q4	Q5	PS	Kit	Description	Option(s)	Remark
1		1	1						Fuel tank		See ref 234/50
2	VOE13945903	2	2						Nipple		
3	VOE13947621	2	2						Plane gasket		
4	VOE13945461	REQ	REQ						Plastic pipe		L = 1200mm
5	VOE967559	2	2						Sleeve		
6	VOE326599	2	2						Ferrule		(VOE7326599)
7	VOE326596	2	2						Fitting nut		(VOE7326596)
8		1	1						Water separator		See ref 233/150
9	VOE11090911	1	1						Bracket		
10	VOE946671	4	4						Flange screw		
11	VOE13955894	6	6						Washer		(VOE955894)
12	VOE13945408	4	4						Nut		(VOE948645)
13	VOE13945461	REQ	REQ						Plastic pipe		L = 2000MM
14	VOE967559	2	2						Sleeve		
15	VOE326599	2	2						Ferrule		(VOE7326599)
16	VOE326596	2	2						Fitting nut		(VOE7326596)
17	VOE13948214	1	1						Nipple		
18	VOE907133	1	1						Gasket		
19		1	1						Fuel pump		See ref 233/50
20	VOE13945460	REQ	REQ						Plastic pipe		L = 1600MM TD40GA L = 1900MM TD40GFE
	VOE4803745		REQ						Hose		
	VOE4821292		1						Cable tie		
21	VOE944717	2	2						Sleeve		
22	VOE954364	2	2						Ferrule		
23	VOE954356	2	1						Fitting nut		
24	VOE949634	1	1				OP		Nipple		
25	VOE13947621	1	1						Plane gasket		
26	VOE11000239	1							Clamp		
	VOE13946834		3						Clamp		
27	VOE4881438	5	5						Cable tie		
28		1	1						Fuel filter		See ref 233/100

Date: 2014/1/23	Image id: AR265	Catalogue: 97789	Model: L50C
Brand: Volvo	Serial: 10967-13000	Group/Section: 230/100	Title: Fuel system: Fuel tank - fuel pump



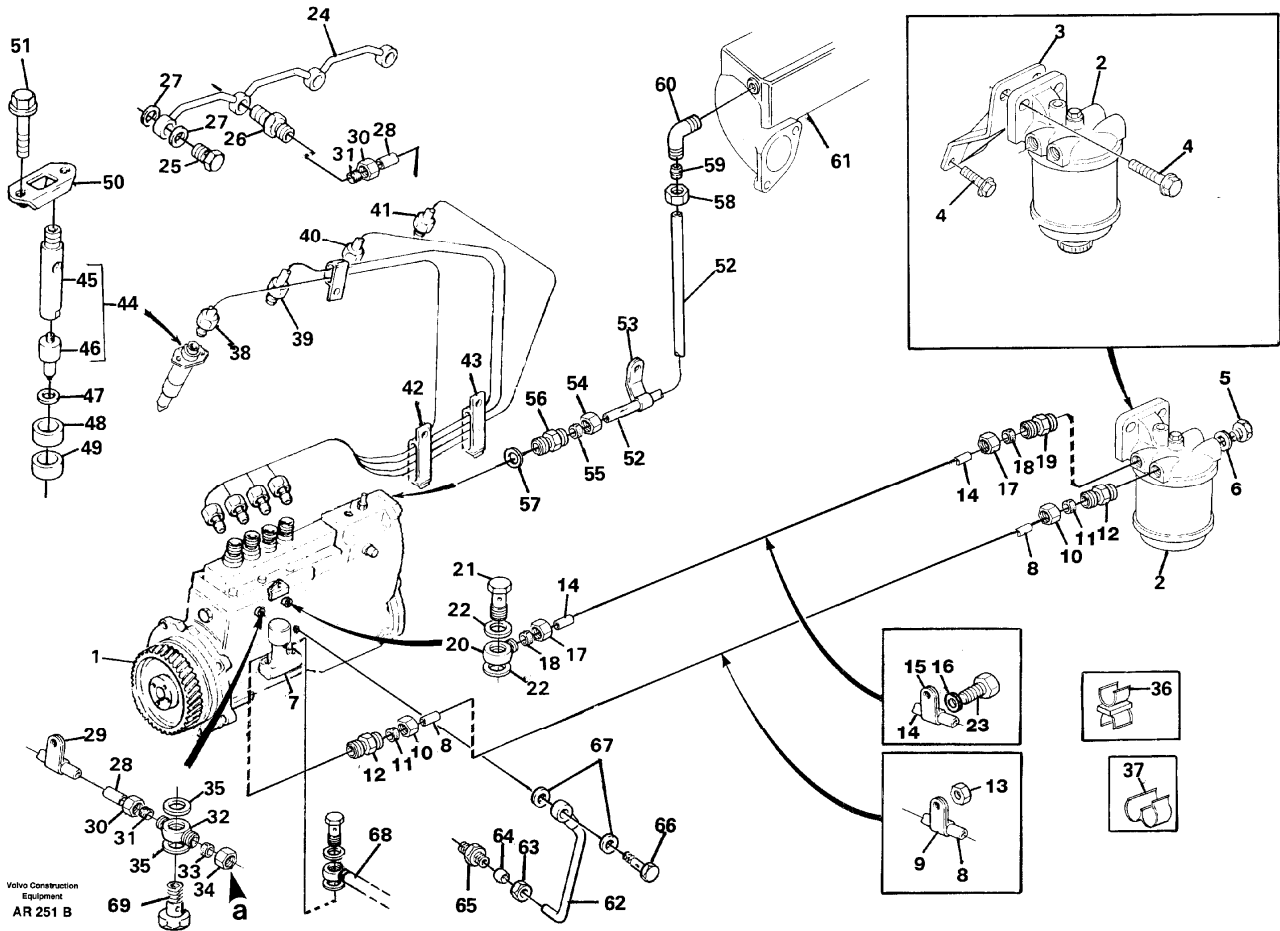
Q1-Q5	Option	Option description
Q1 TD 40 KAE		

Pos	Part	Q1	Q2	Q3	Q4	Q5	PS	Kit	Description	Option(s)	Remark
1		1							Water separator		See ref 233/150
2	VOE4774631	1							Fuel hose		
3	VOE7025167	2							Hollow screw		
4	VOE13947621	4							Plane gasket		(945653)
5		1							Connector		See ref 230/200
6	VOE946234	REQ							Plastic pipe		L = 1500
7	VOE4803745	REQ							Hose		L = 450
8	VOE4821292	1							Cable tie		
9		1							Nut		See ref 230/200
10	VOE954357	1							Nut		
11	VOE11090959	2							Support sleeve		
12	VOE954365	1							Olive		
13	VOE11090958	1							Nipple		

14	VOE13947621	1							Plane gasket		(945653)
15	VOE13945461	REQ							Plastic pipe		L = 1200
16	VOE326596	2							Fitting nut		
17	VOE967559	2							Sleeve		
18	VOE326599	2							Ferrule		
19	VOE13945903	2							Nipple		
20	VOE13947621	2							Plane gasket		
21		1							Fuel tank		See ref 234/50
22	VOE11090911	1							Bracket		
23	VOE946671	4							Flange screw		
24	VOE13955894	6							Washer		
25	VOE13945408	4							Nut		(VOE948645)

8	VOE13946173	1						Screw		(VOE946173)
9	VOE11998117	1						Pipe		
	VOE11703945		1					Fuel pipe		
10	VOE483509	2	2					•Fitting nut		(VOE7483509)
11	VOE483510	2	2					•Sealing ring		(VOE7483510)
12	VOE11998116	1						Pipe		
	VOE11703944		1				OP	Fuel pipe		
13	VOE483509	2	2					•Fitting nut		(VOE7483509)
14	VOE483510	2	2					•Sealing ring		(VOE7483510)
15	VOE6613881	2	2					Spacer		
16	VOE6613880	2	2					Clamp		
17	VOE11997936	1	1					Screw		
18	VOE11997937	1	1					Nut		
19	VOE11998115	1	1					Pipe		
	VOE11703943		1					Fuel pipe		
20	VOE483467	2	2					Nut		(VOE7483467)
21	VOE483468	2	2					Ferrule		(VOE7483468)
22	VOE11998122	1						Connector		
	VOE11703946		1					Connector		
23	VOE787105	1	1					Screw		
24	VOE13947281	2	2					Gasket		
25	VOE11999214	1						Fuel pipe		
	VOE11703947		1					Fuel pipe		
26	VOE11998141	1	1					•Nut		
27	VOE11998142	1	1					•Ferrule		
28	VOE11997934	1						•Clamp		
	VOE11703948		1							
29	VOE11998143	1						•Clamp		
30	VOE483467	1						Nut		(VOE7483467)
31	VOE483468	1						Ferrule		(VOE7483468)
32	VOE11998118	1	1					Bracket		
33	VOE11998121	1	1					Spacer		
34	VOE11998119	1	1					Screw		
35	VOE11998120	1	1					Nut		
36	VOE13965175	1	1					Screw		
37	VOE954356	1	1					Fitting nut		
38	VOE954364	1	1					Ferrule		
39	VOE11705547		1					Pipe		

Date: 2014/1/23	Image id: AR251B	Catalogue: 97789	Model: L50C
Brand: Volvo	Serial: 10967-13000	Group/Section: 230/200	Title: Fuel system, Fuel pump - fuel inject.-injector TD 40 KAE



Pos	Part	Q1	Q2	Q3	Q4	Q5	PS	Kit	Description	Option(s)	Remark
1		1							Injection pump		See ref 236/100
2	VOE11998954	1					OP		Fuel filter		
	VOE466987	1							•Fuel filter		
3	VOE11998955	1							Bracket		
4	VOE946329	4							Flange screw		
5	VOE483933	1							Plug		(VOE7483933)
6	VOE483963	1							Washer		(VOE7483963)
7		1							Feed pump		See ref 233/60
8	VOE11700791	1							Fuel pipe		(VOE11999059)
9	VOE11998906	1							•Clip		
10	VOE11998971	2							Nut		
11	VOE11998972	2							Ferrule		
12	VOE11998957	2							Adapter		
13	VOE13945408	1							Nut		(945408)

Thank you so much for reading.
Please click the “Buy Now!”
button below to download the
complete manual.



After you pay.

You can download the most
perfect and complete manual in
the world immediately.

Our support email:

ebooklibonline@outlook.com