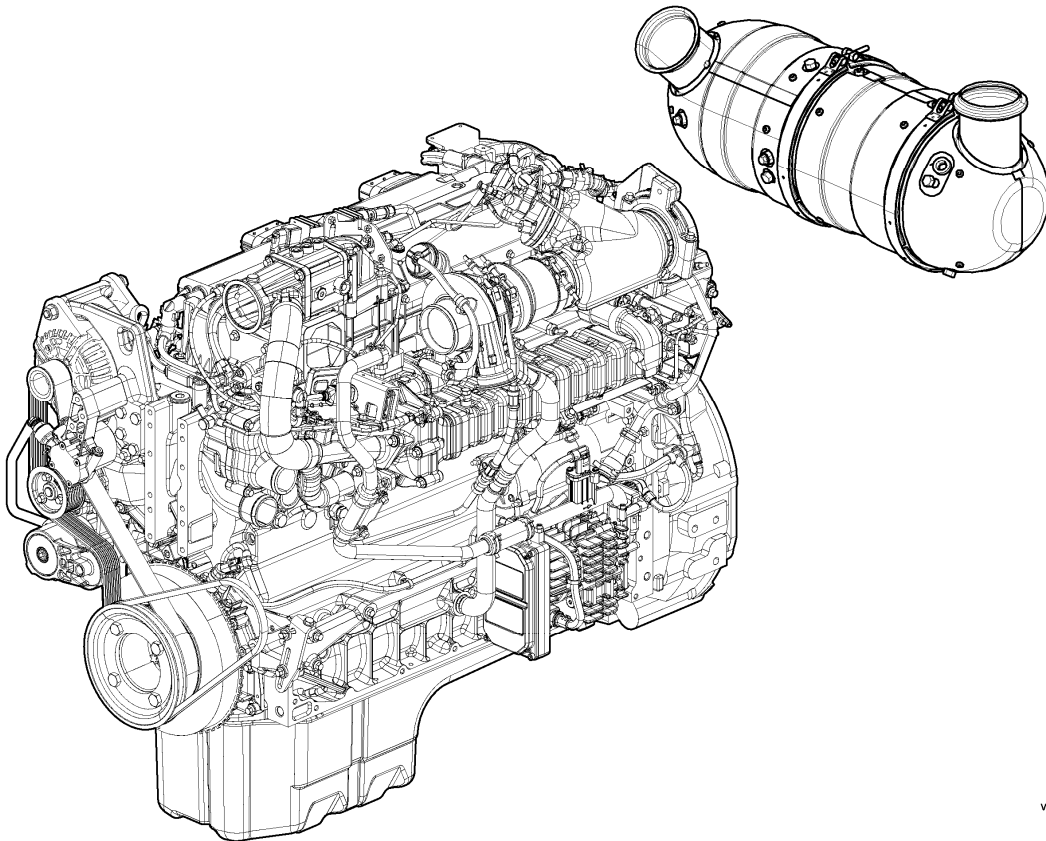


Date: 2014/1/26	Image id: 1063852	Catalogue: 20643	Model: L60G
Brand: Volvo	Serial: 1009-	Group/Section: 210/100	Title: Engine

1



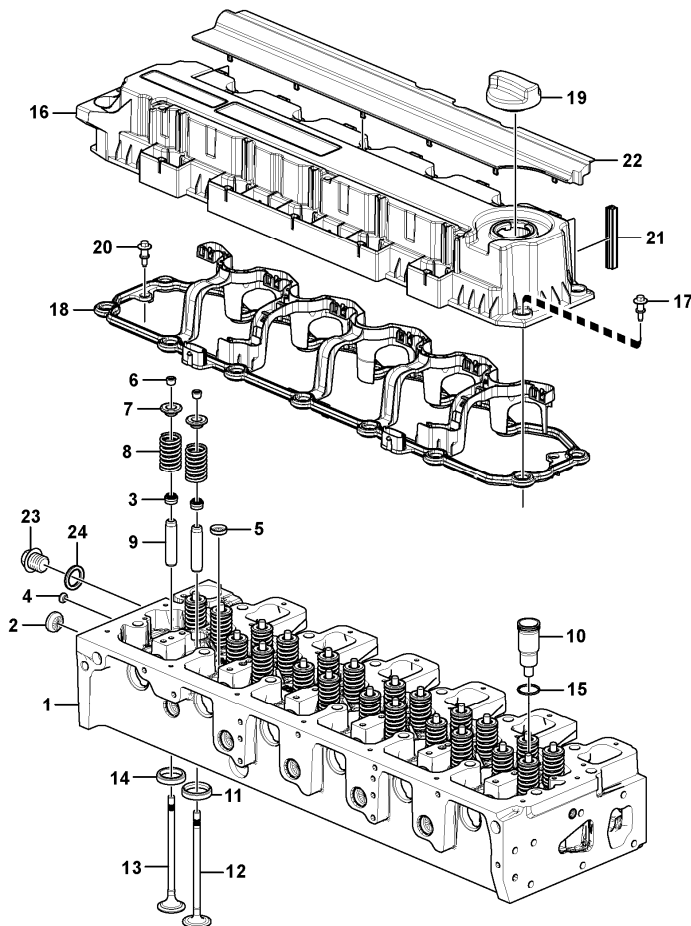
Volvo Construction
Equipment
1063852

Section option	Kit	Option description
VOE15083685		Engine D6H , US
VOE15165675		Engine D6H , EU
VOE85108		Engine Installation D6HLCE4, EU
VOE85111		Engine Installation D6HLCE4, US

Q1-Q5	Option	Option description	
Q1 85108	VOE85108	Engine Installation D6HLCE4, EU	
Q2 85111	VOE85111	Engine Installation D6HLCE4, US	

Pos	Part	Q1	Q2	Q3	Q4	Q5	PS	Kit	Description	Option(s)	Remark
1	VOE15165675	1							Engine		EU
1	VOE15083685		1						Engine		US

Date: 2014/1/26	Image id: 1060237	Catalogue: 20643	Model: L60G
Brand: Volvo	Serial: 1009-	Group/Section: 211/100	Title: Cylinder head 85108, 85111



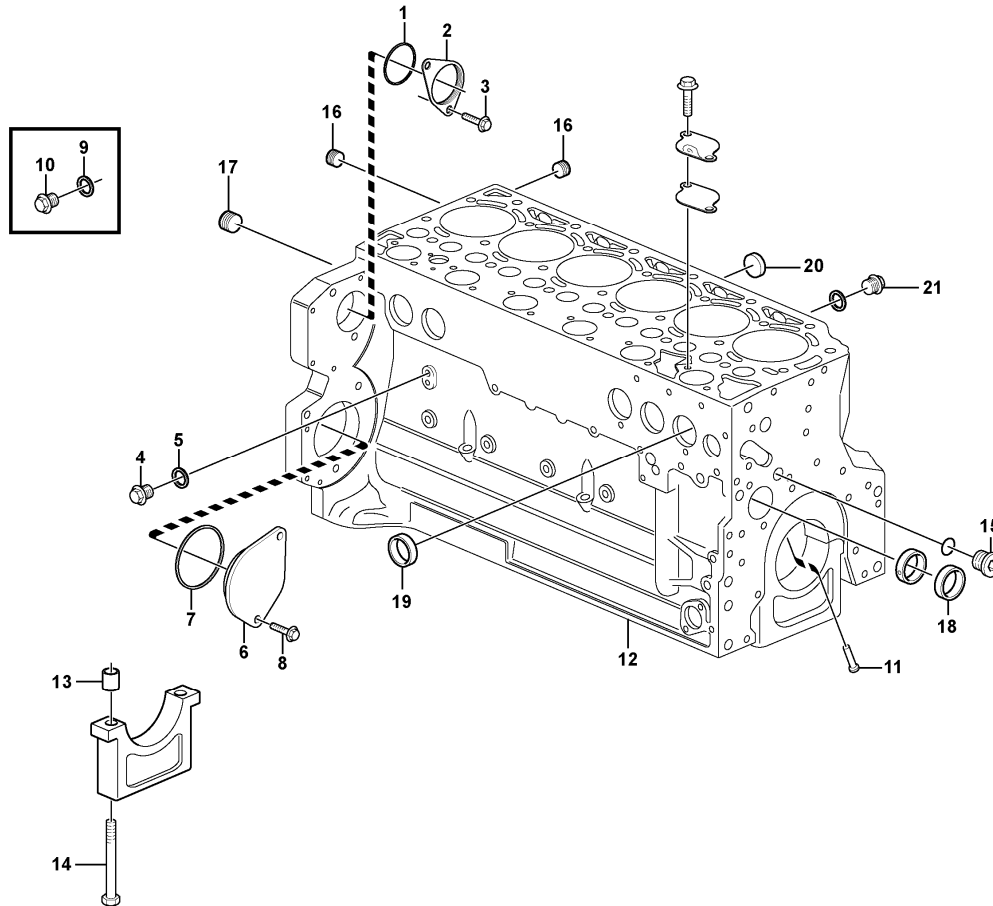
Volvo Construction
Equipment
1060237

Section option	Kit	Option description
VOE15083685		Engine D6H , US
VOE15165675		Engine D6H , EU
VOE85108		Engine Installation D6HLCE4, EU
VOE85111		Engine Installation D6HLCE4, US

Pos	Part	Q1	Q2	Q3	Q4	Q5	PS	Kit	Description	Option(s)	Remark
1	VOE21753879	1							Cylinder head		
2	VOE20834024	6							•Cap plug		
3	VOE20459855	24							•Valve seal		
4	VOE20914266	2							•Core Plug		
5	VOE20412733	16							•Core plug		
6	VOE20459857	48							•Valve sleeve		
7	VOE20788860	24							•Cap		
8	VOE21775124	24							•Valve spring		
9	VOE21705499	24							•Valve guide		

10	VOE20903104	6							•Sleeve		
11	VOE21775154	12							•Valve insert		
12	VOE21770957	12							•Inlet valve		
13	VOE21770981	12							•Exhaust valve		
14	VOE21775149	12							•Valve insert		
15	VOE20903092	6							•O-ring		
16	VOE21772081	1							Valve cover		
17	VOE21774068	16							•Brace screw		
18	VOE21770879	1							Gasket		
19	VOE20412589	1							Filler cap		
20	VOE21774068	2							Brace screw		
21	VOE21774740	1							Cover strip		
22	VOE21775052	1							•Sealing cup		
23	VOE20405716	1							Plug		
24	VOE13947621	1							Plane gasket		

Date: 2014/1/26	Image id: 1060238	Catalogue: 20643	Model: L60G
Brand: Volvo	Serial: 1009-	Group/Section: 212/100	Title: Cylinder block 85108, 85111



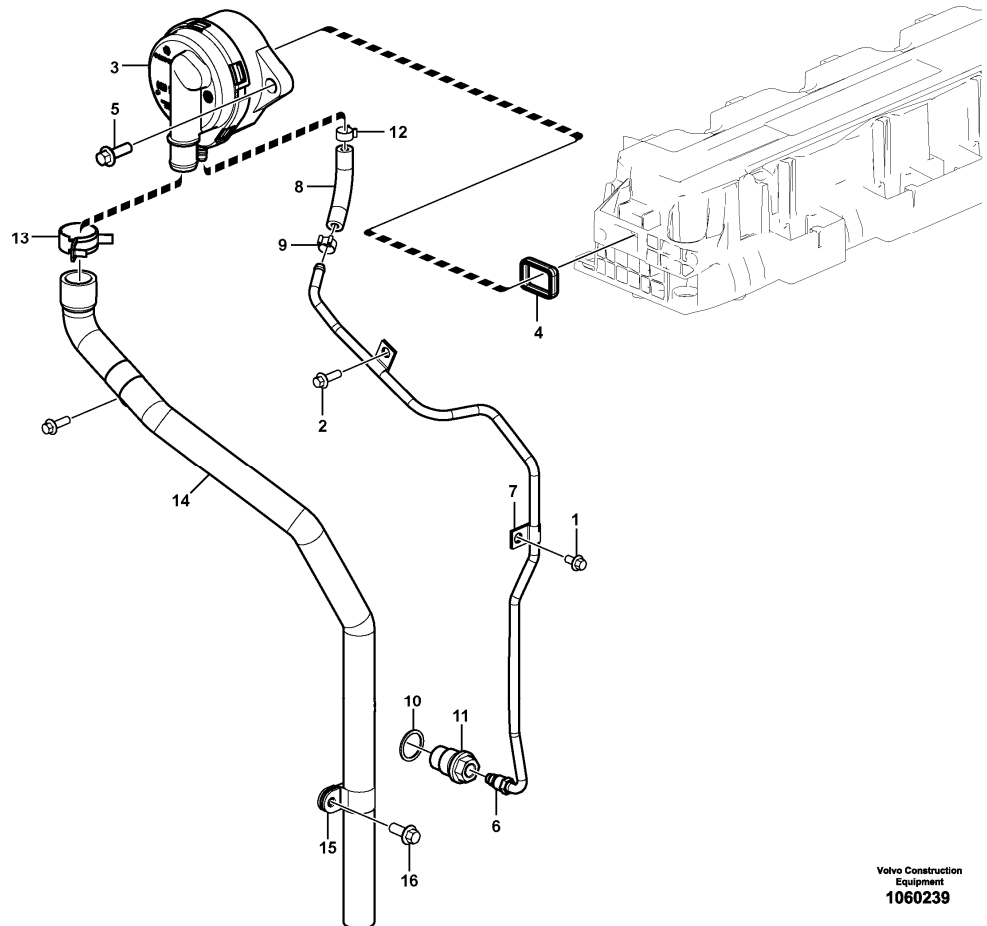
Volvo Construction
Equipment
1060238

Section option	Kit	Option description
VOE15083685		Engine D6H , US
VOE15165675		Engine D6H , EU
VOE85108		Engine Installation D6HLCE4, EU
VOE85111		Engine Installation D6HLCE4, US

Pos	Part	Q1	Q2	Q3	Q4	Q5	PS	Kit	Description	Option(s)	Remark
1	VOE20580547	1							Sealing ring		
2	VOE20580550	1					NS		Cover		
3	VOE888289	2							Hexagon screw		
4	VOE20405716	1							Plug		
5	VOE13947621	1							Plane gasket		
6	VOE24426064	1							Cover		
7	VOE20412359	1							Sealing ring		
8	VOE888289	2							Hexagon screw		
9	VOE13947281	1							Gasket		

10	VOE20441859	1							Plug		
11	VOE20405561	6							Piston		
12	VOE11700258	1							Plug		
13	VOE20460001	14							•Bushing		
14	VOE20460006	14							•Screw		
15	VOE20998904	1							•Plug		
16	VOE20508600	2							•Plug		
17	VOE20785813	1							•Plug		
18	VOE20459999	6							•Camshaft bushing		
19	VOE20405721	9							•Core plug		
20	VOE20412745	6							•Core plug		
21	VOE20405716	2							•Plug		

Date: 2014/1/26	Image id: 1060239	Catalogue: 20643	Model: L60G
Brand: Volvo	Serial: 1009-	Group/Section: 212/150	Title: Crankcase ventilation 85108, 85111

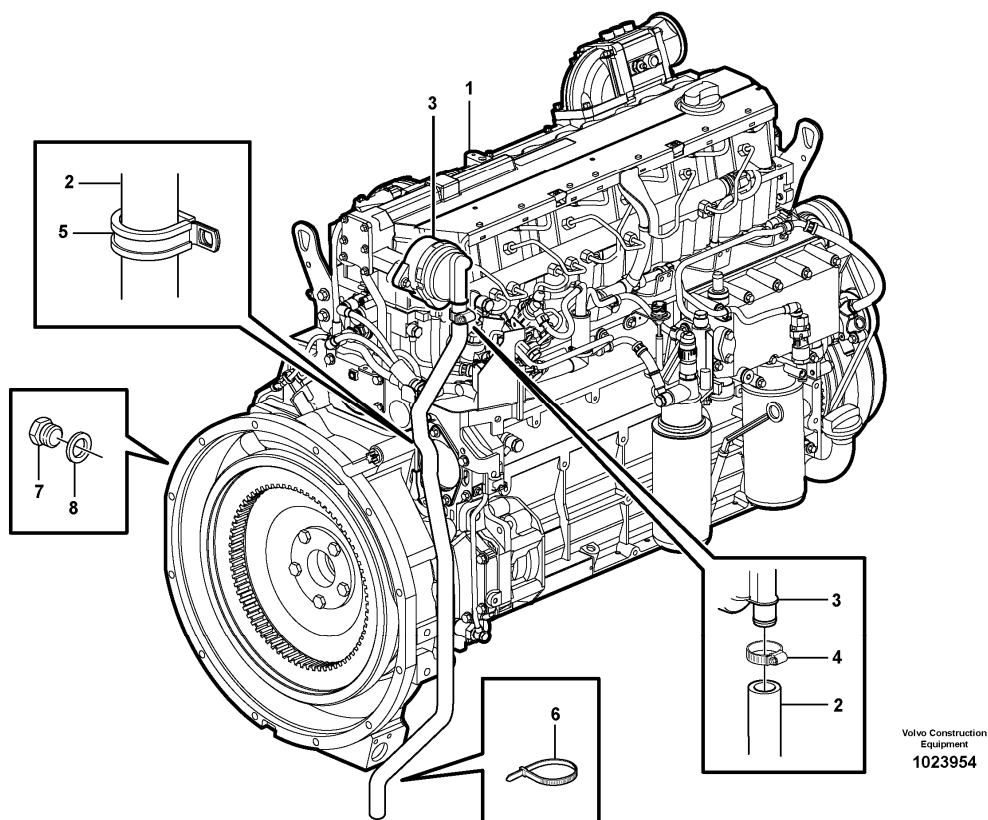


Volvo Construction
Equipment
1060239

Section option	Kit	Option description
VOE15083685		Engine D6H , US
VOE15165675		Engine D6H , EU
VOE85108		Engine Installation D6HLCE4, EU
VOE85111		Engine Installation D6HLCE4, US

Pos	Part	Q1	Q2	Q3	Q4	Q5	PS	Kit	Description	Option(s)	Remark
1	VOE20405729	1							Screw		
2	VOE20450728	1							Bolt		
3	VOE20930510	1							Pressure regulator		
4	VOE21038626	1							•Gasket		
5	VOE20405504	2							Screw		
6	VOE21772197	1							Leak-off line		
7	VOE20798831	2							Clamp		
8	VOE20971632	1							Rubber hose		
9	VOE20405568	1							Clip		

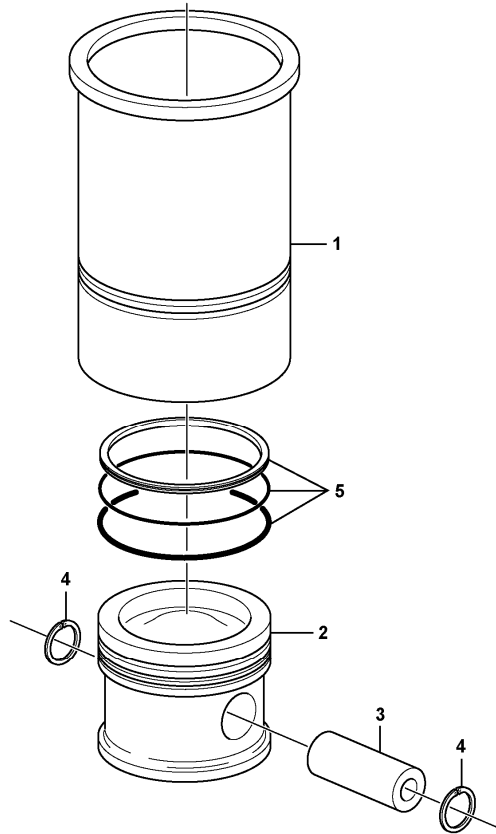
Date: 2014/1/26	Image id: 1023954	Catalogue: 20643	Model: L60G
Brand: Volvo	Serial: 1009-	Group/Section: 212/300	Title: Crankcase ventilation 33005



Section option	Kit	Option description
VOE33005		Wheel Loader L60G

Pos	Part	Q1	Q2	Q3	Q4	Q5	PS	Kit	Description	Option(s)	Remark
1	VOE15165675	1							Engine		See ref 210/100
	VOE15083685	1							Engine		See ref 210/100
2	VOE16818748	1							Air vent hose		
3	VOE20930510	1							Pressure regulator		See ref 212/150
4	VOE13943474	1							Hose clamp		
5	VOE13949997	1							Clamp		
6	VOE4881440	1							Cable tie		
7	VOE11173944	6							Plug		
8	VOE13947282	6							Gasket		

Date: 2014/1/26	Image id: 1024633	Catalogue: 20643	Model: L60G
Brand: Volvo	Serial: 1009-	Group/Section: 213/100	Title: Cylinder liner and piston 85108, 85111

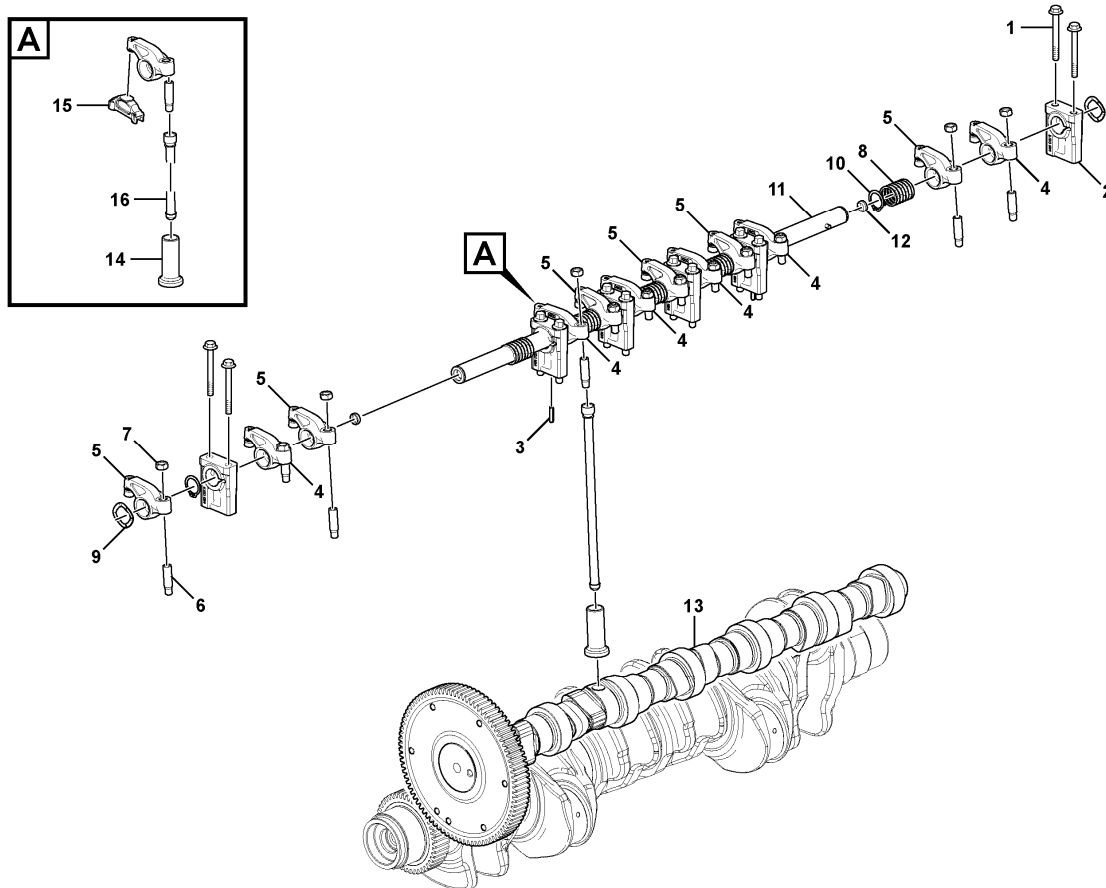


Volvo Construction
Equipment
1024633

Section option	Kit	Option description
VOE15083685		Engine D6H , US
VOE15165675		Engine D6H , EU
VOE85108		Engine Installation D6HLCE4, EU
VOE85111		Engine Installation D6HLCE4, US

Pos	Part	Q1	Q2	Q3	Q4	Q5	PS	Kit	Description	Option(s)	Remark
1		6					NS		Cyl Liner Kit		
2	VOE21753886	1					NS		Piston		
3	VOE21774994	1							Gudgeon pin		
4	VOE20798020	2							Lock Ring		
5	VOE21771864	1							Piston ring kit		

Date: 2014/1/26	Image id: 1060271	Catalogue: 20643	Model: L60G
Brand: Volvo	Serial: 1009-	Group/Section: 214/100	Title: Valve mechanism 85108, 85111



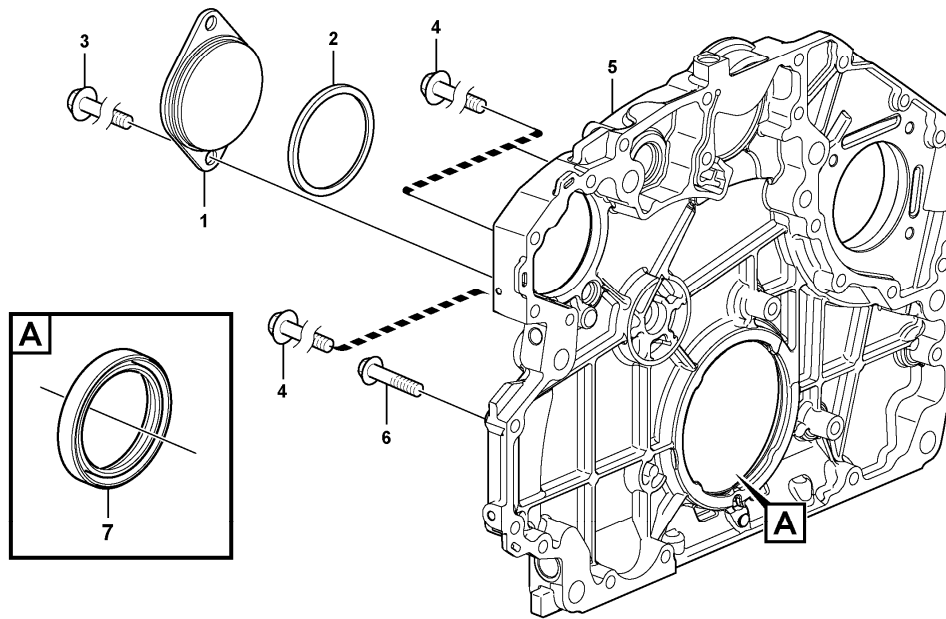
Volvo Construction
Equipment
1060271

Section option	Kit	Option description
VOE15083685		Engine D6H , US
VOE15165675		Engine D6H , EU
VOE85108		Engine Installation D6HLCE4, EU
VOE85111		Engine Installation D6HLCE4, US

Pos	Part	Q1	Q2	Q3	Q4	Q5	PS	Kit	Description	Option(s)	Remark
1	VOE20405723	12							Screw		
2	VOE21770895	6							Bracket		
3	VO996089	2							Spring		
4	VOE21772095	6							Rocker arm		
5	VOE21773500	6							Rocker arm		
6	VOE20832764	12					SE		Adjusting Screw		
7	VOE11700373	12							Nut		
8	VOE20800018	5							Compression spring		
9	VOE21774733	2							Raceway washer		

10	VOE914456	2							Retaining ring		
11	VOE21773506	1							Rocker arm shaft		
12	VOE20799622	2					NS		Cap Plug		
13	VOE21753855	1							Camshaft		
14	4283150	12					NS		Tappet		
15	VOE21775020	12							Push rod		
16	VOE21775113	12							Valve bridge		

Date: 2014/1/26	Image id: 1060240	Catalogue: 20643	Model: L60G
Brand: Volvo	Serial: 1009-	Group/Section: 215/100	Title: Timing gear casing 85108, 85111

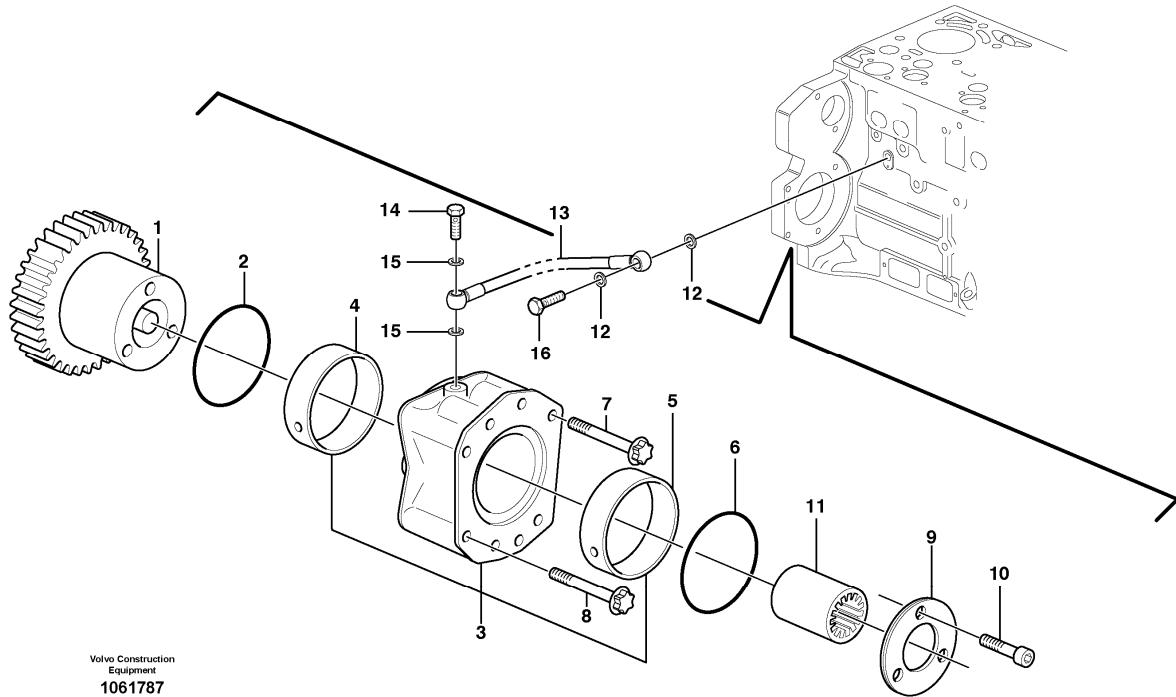


Volvo Construction
Equipment
1060240

Section option	Kit	Option description
VOE15083685		Engine D6H , US
VOE15165675		Engine D6H , EU
VOE85108		Engine Installation D6HLCE4, EU
VOE85111		Engine Installation D6HLCE4, US

Pos	Part	Q1	Q2	Q3	Q4	Q5	PS	Kit	Description	Option(s)	Remark
1	VOE20950063	1							Cover		
2	VOE20405652	1							Sealing ring		
3	VOE20450801	2							Screw		
4	VOE20450801	3							Screw		
5	VOE20841195	1							Gear Housing		
6	VOE20412324	12							Screw		
7	VOE20929860	1							Crankshaft Seal		

Date: 2014/1/26	Image id: 1061787	Catalogue: 20643	Model: L60G
Brand: Volvo	Serial: 1009-	Group/Section: 215/200	Title: Pump drive power take-off 85108, 85111

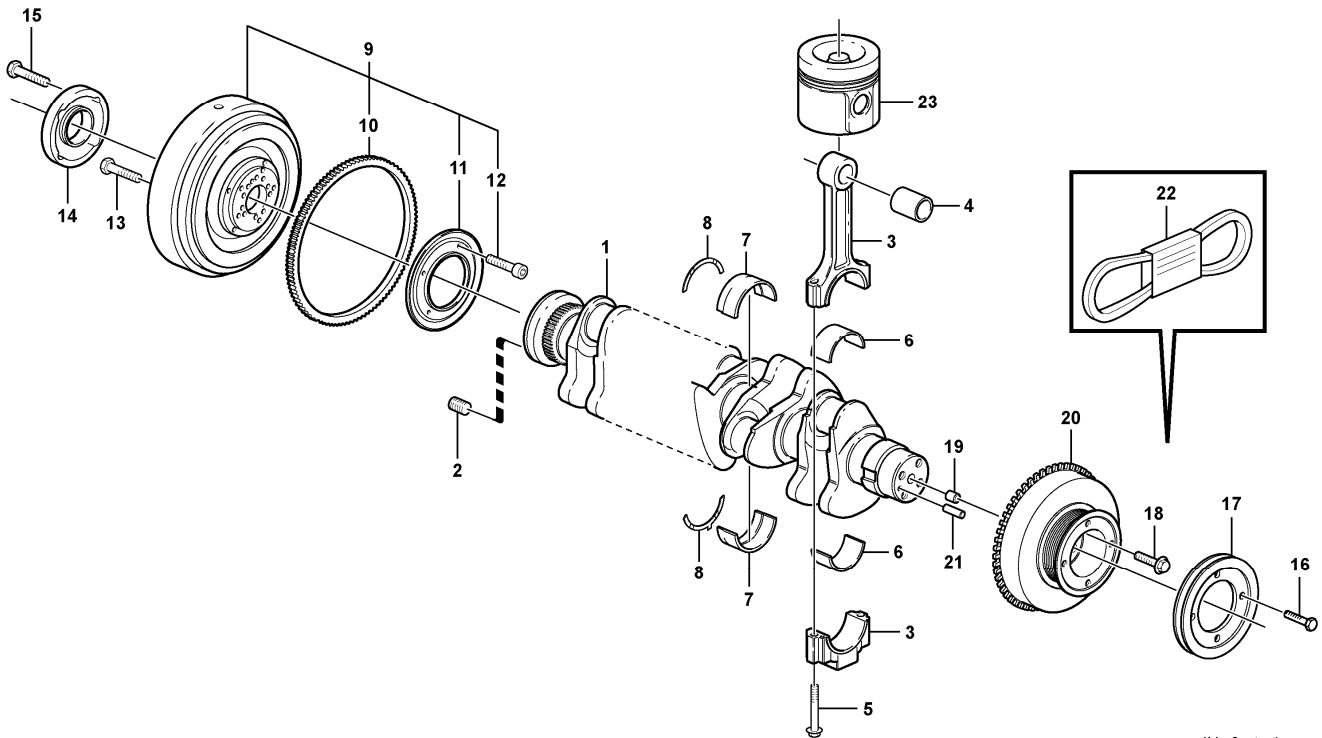


Section option	Kit	Option description
VOE15083685		Engine D6H , US
VOE15165675		Engine D6H , EU
VOE85108		Engine Installation D6HLCE4, EU
VOE85111		Engine Installation D6HLCE4, US

Pos	Part	Q1	Q2	Q3	Q4	Q5	PS	Kit	Description	Option(s)	Remark
1	VOE21249506	1						K	Gear		
2	VOE20450818	1							O-ring		
3	VOE20450805	1						K	Bearing flange		
4	VOE20450807	1						K	•Bushing		
5	VOE20450809	1						K	•Bushing		
6	VOE20450819	1							O-ring		
7	VOE20450821	2							Screw		
8	VOE21077470	2							Screw		
9	VOE20450811	1						K	Thrust washer		

10	VOE20450822	3						K	Screw		
11	VOE20459123	1							Sleeve		
12	VOE13947621	2							Plane gasket		
13	VOE20459170	1							Oil pipe		
14	VOE980973	1							Hollow screw		
15	VOE13947281	2							Gasket		
16	VOE7025167	1							Hollow screw		
	VOE21250587	1							Hydraulic Pump		KIT

Date: 2014/1/26	Image id: 1063804	Catalogue: 20643	Model: L60G
Brand: Volvo	Serial: 1009-	Group/Section: 216/100	Title: Crankshaft and related parts 85108, 85111



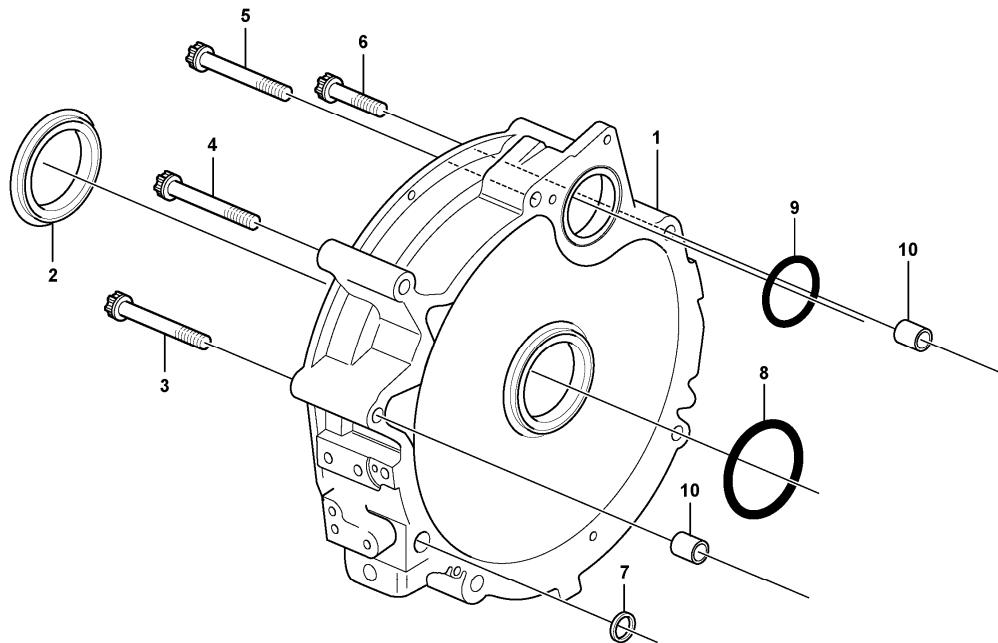
Volvo Construction
Equipment
1063804

Section option	Kit	Option description
VOE15083685		Engine D6H , US
VOE15165675		Engine D6H , EU
VOE85108		Engine Installation D6HLCE4, EU
VOE85111		Engine Installation D6HLCE4, US

Pos	Part	Q1	Q2	Q3	Q4	Q5	PS	Kit	Description	Option(s)	Remark
1	VOE21351237	1							Crankshaft		
2	VOE20459144	10							Insert		
3	VOE20851091	6							Connecting rod		
4	VOE20799647	6							•Piston Bearing		
5	VOE20799587	12							•Bolt		
6	VOE20850096	1							Big End Brg Kit		STD 70,00MM
6	VOE20850097	1							Big End Brg Kit		U SZ 69,75MM
7	VOE20850106	7							Main Bearing		STD 84,00MM
7	VOE20850110	7							Main Bearing		U SZ 83,75MM

8	VOE20850116	2							Thrust washer		STD 2,15MM
8	VOE20850122	2							Thrust Washer		O SZ 2,35MM
9	VOE20917910	1							Flywheel		
10	VOE20450830	1							•Gear		
11	VOE20918003	1							•Ring		
12	VOE20933839	4							•Screw		
13	VOE20450835	10							Screw		
14	VOE20460793	1							Flange		
15	VOE21000755	5							Screw		
16	VOE20459156	4							Screw		
17	VOE20459155	1							Pulley		
18	VOE20405724	4							Screw		
19	VOE20405634	1							Spring pin		
20	VOE20799122	1							V-belt Pulley		
21	VOE20450628	1							Pin		
22	VOE977305	1							V-belt		See ref 263/500
23	VOE21753886	1							Piston		See ref 213/100

Date: 2014/1/26	Image id: 1033647	Catalogue: 20643	Model: L60G
Brand: Volvo	Serial: 1009-	Group/Section: 216/200	Title: Flywheel housing 85108, 85111



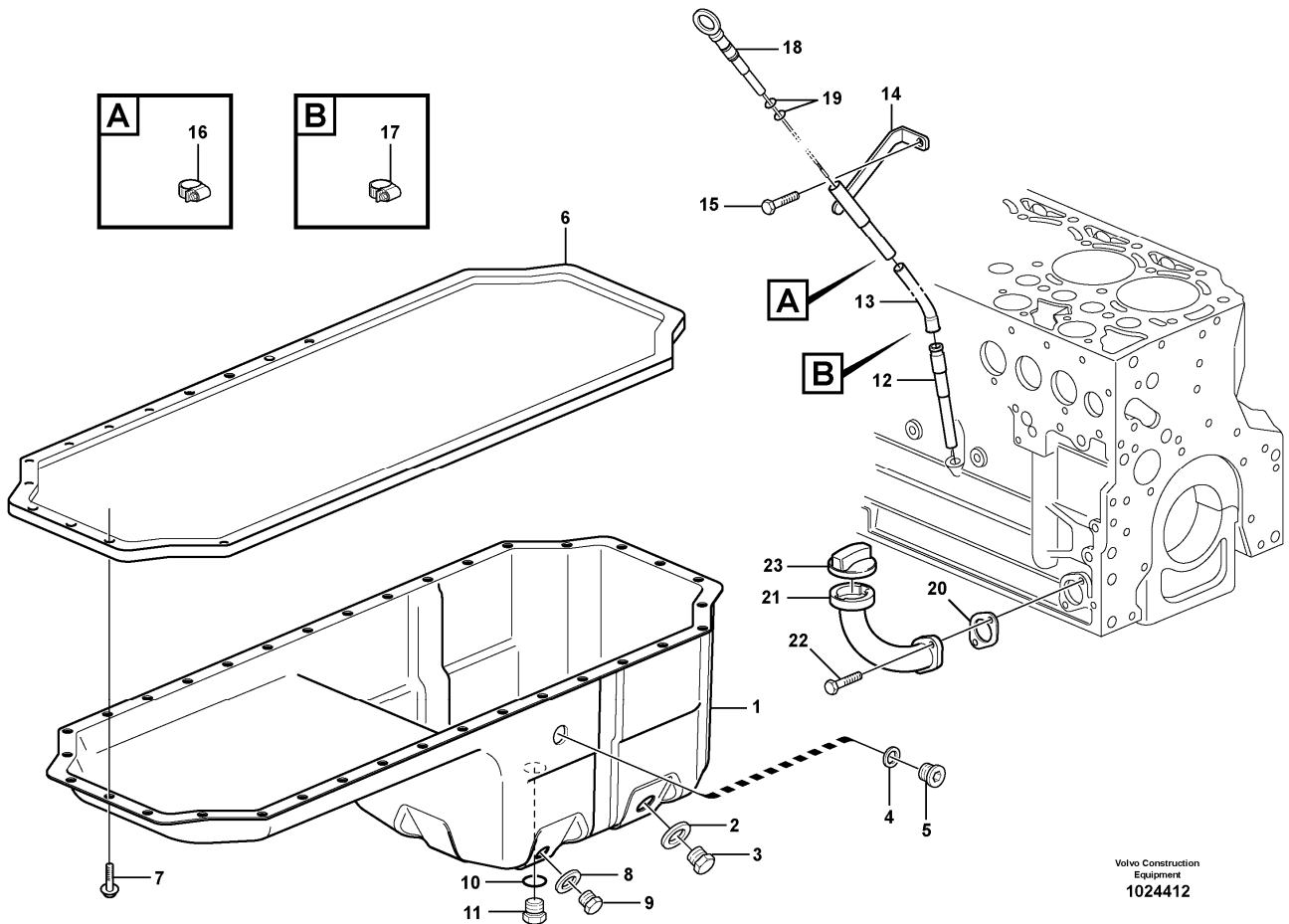
Volvo Construction
Equipment
1033647

Section option	Kit	Option description
VOE15083685		Engine D6H , US
VOE15165675		Engine D6H , EU
VOE85108		Engine Installation D6HLCE4, EU
VOE85111		Engine Installation D6HLCE4, US

Pos	Part	Q1	Q2	Q3	Q4	Q5	PS	Kit	Description	Option(s)	Remark
1	VOE20459987	1							Flywheel housing		
2	VOE20450784	1							•Labyrinth ring		
3	VOE20459996	1							Screw		
4	VOE20459995	1							Screw		
5	VOE20459991	3							Screw		
6	VOE20460931	1							Screw		
7	VOE20459993	4							O-ring		
8	VOE20450786	1							Sealing ring		
9	VOE20459994	1							Sealing ring		

10	VOE20585971	2						Bushing		
----	-------------	---	--	--	--	--	--	---------	--	--

Date: 2014/1/26	Image id: 1024412	Catalogue: 20643	Model: L60G
Brand: Volvo	Serial: 1009-	Group/Section: 217/100	Title: Oil sump 85108, 85111

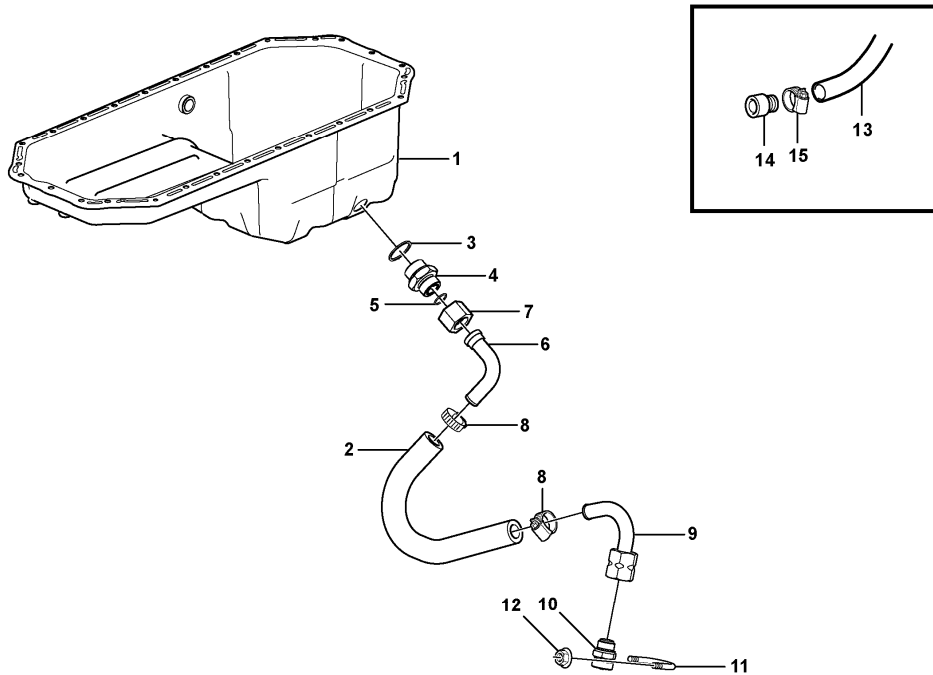


Volvo Construction
Equipment
1024412

Section option	Kit	Option description
VOE15083685		Engine D6H , US
VOE15165675		Engine D6H , EU
VOE85108		Engine Installation D6HLCE4, EU
VOE85111		Engine Installation D6HLCE4, US

Pos	Part	Q1	Q2	Q3	Q4	Q5	PS	Kit	Description	Option(s)	Remark
1	VOE21618972	1							Oil pan		
2	VOE993681	1							•Gasket		
3	VOE20496257	1							•Plug		
4	VOE20460026	1							Sealing ring		
5	VOE20460024	1							Plug		
6	VOE20460022	1							Gasket		
7	VOE20405792	28							Screw		
8	VOE993679	1							Gasket		
9	VOE20405506	1							Plug		

Date: 2014/1/26	Image id: 1019351	Catalogue: 20643	Model: L60G
Brand: Volvo	Serial: 1009-	Group/Section: 217/300	Title: Draining of oil sump 33005



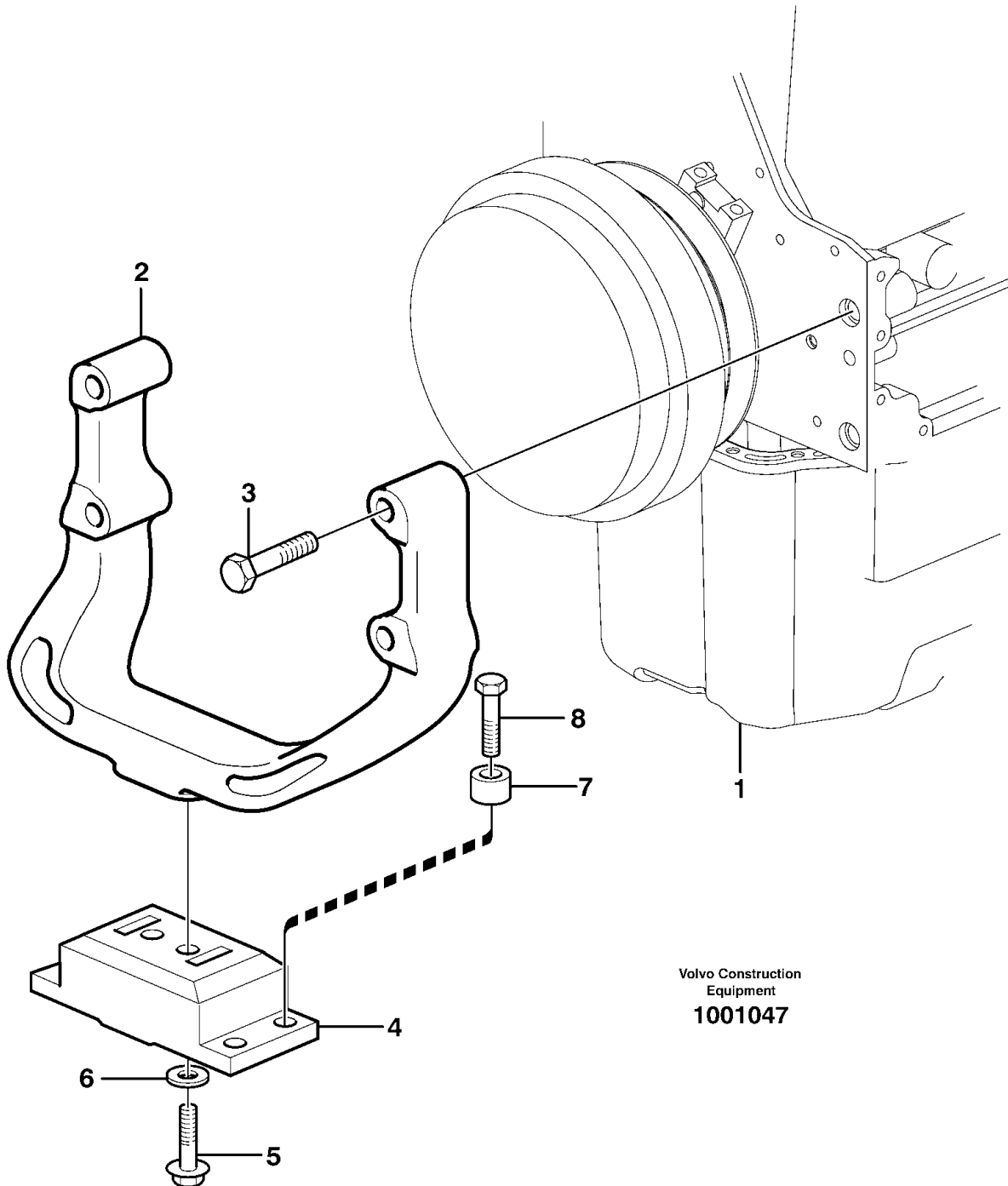
Volvo Construction
Equipment
1019351

Section option	Kit	Option description
VOE33005		Wheel Loader L60G

Pos	Part	Q1	Q2	Q3	Q4	Q5	PS	Kit	Description	Option(s)	Remark
1	VOE21618972	1							Oil pan		See ref 217/100
2	VOE190993	REQ							Hose		L = 430 mm
3	VOE993600	1							Gasket		
4	VOE11163064	1							Nipple		
5	VOE990740	1							O-ring		
6	VOE11410190	1							Drain tube		
7	VOE13933877	1							Fitting nut		
8	VOE943473	2							Hose clamp		
9	VOE11173508	1							Drain tube		
10	VOE11054692	1							Valve		
11	VOE11130269	1							Clamp		
12	VOE948645	2							Flange lock nut		

13	VOE11027418	1							Hose		
14	VOE11054659	1							Connector		
15	VOE943473	1							Hose clamp		

Date: 2014/1/26	Image id: 1001047	Catalogue: 20643	Model: L60G
Brand: Volvo	Serial: 1009-	Group/Section: 218/100	Title: Engine mounting 33005



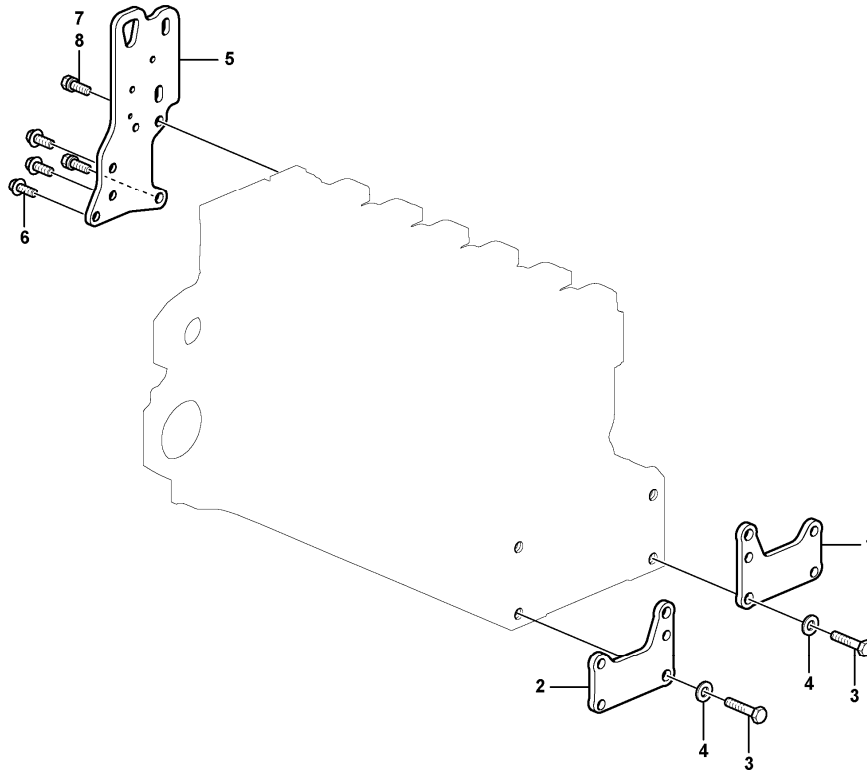
Volvo Construction
Equipment
1001047

Section option	Kit	Option description
VOE33005		Wheel Loader L60G

Pos	Part	Q1	Q2	Q3	Q4	Q5	PS	Kit	Description	Option(s)	Remark
-----	------	----	----	----	----	----	----	-----	-------------	-----------	--------

1	VOE15165675	1							Engine		See ref 210/100
	VOE15083685	1							Engine		
2	VOE15158794	1							Engine anchorage		
3	VOE963320	4							Hexagon screw		
4	VOE20503552	1							Rubber cushion		
5	VOE966362	2							Flange screw		
6	VOE930844	2							Washer		
7	VOE11025923	4							Spacer		
8	VOE13965193	4							Screw		

Date: 2014/1/26	Image id: 1060244	Catalogue: 20643	Model: L60G
Brand: Volvo	Serial: 1009-	Group/Section: 218/200	Title: Engine mounting 85108, 85111

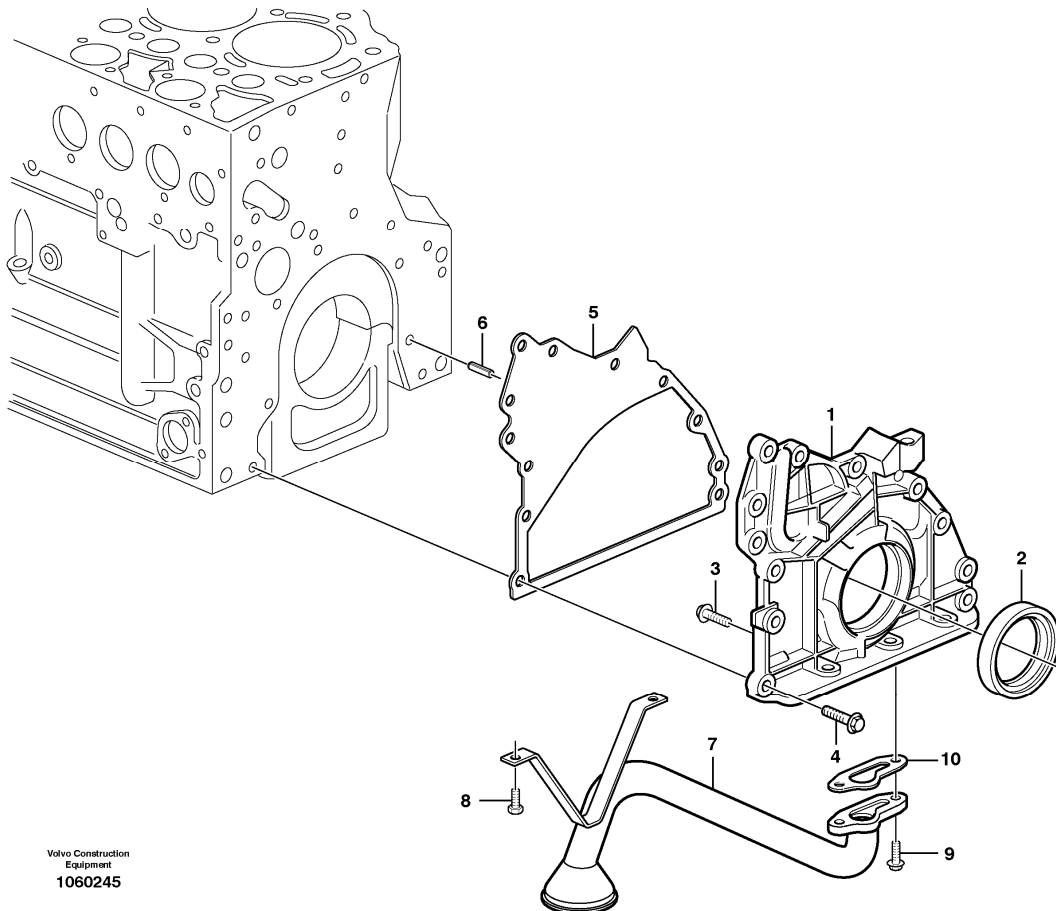


Volvo Construction
Equipment
1060244

Section option	Kit	Option description
VOE15083685		Engine D6H , US
VOE15165675		Engine D6H , EU
VOE85108		Engine Installation D6HLCE4, EU
VOE85111		Engine Installation D6HLCE4, US

Pos	Part	Q1	Q2	Q3	Q4	Q5	PS	Kit	Description	Option(s)	Remark
1	VOE20723978	1							Bracket		
2	VOE20723984	1							Bracket		
3	VOE20535027	2							Screw		
4	VOE20405606	2							Washer		
5	VOE21774562	1					NS		Plate		
6	VOE20450756	3							Screw		
7	VOE20412314	2							Stud		
8	VOE20412308	2							Hexagon nut		

Date: 2014/1/26	Image id: 1060245	Catalogue: 20643	Model: L60G
Brand: Volvo	Serial: 1009-	Group/Section: 221/100	Title: Lubricating oil system 85108, 85111

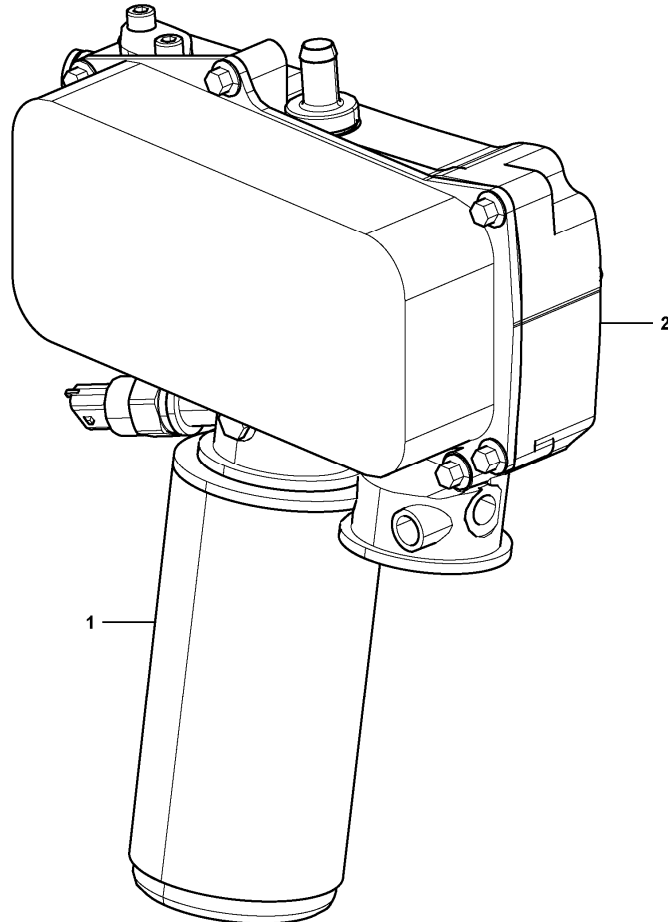


Volvo Construction
Equipment
1060245

Section option	Kit	Option description
VOE15083685		Engine D6H , US
VOE15165675		Engine D6H , EU
VOE85108		Engine Installation D6HLCE4, EU
VOE85111		Engine Installation D6HLCE4, US

Pos	Part	Q1	Q2	Q3	Q4	Q5	PS	Kit	Description	Option(s)	Remark
1	VOE21489736	1							Service cover		
2	VOE21496591	1							•Lip seal		
3	VOE20451738	8							•Screw		
4	VOE20412324	12							Screw		
5	VOE21531890	1							Gasket		
6	VOE20405603	1							Spring pin		
7	VOE20496392	1							Oil pipe		
8	VOE20405792	2							Screw		
9	VOE13949578	2							Screw		

Date: 2014/1/26	Image id: 1063851	Catalogue: 20643	Model: L60G
Brand: Volvo	Serial: 1009-	Group/Section: 222/100	Title: Oil filter 85108, 85111

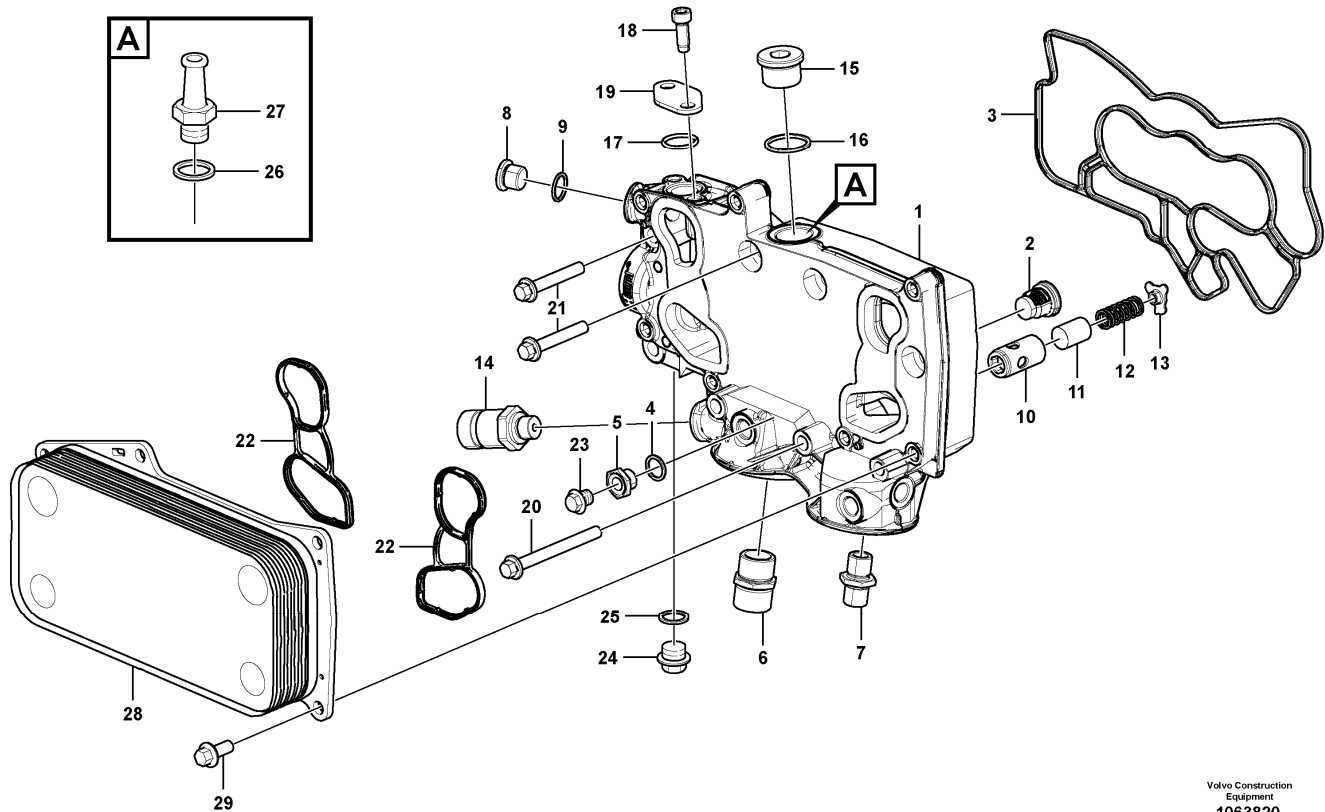


Volvo Construction
Equipment
1063851

Section option	Kit	Option description
VOE15083685		Engine D6H , US
VOE15165675		Engine D6H , EU
VOE85108		Engine Installation D6HLCE4, EU
VOE85111		Engine Installation D6HLCE4, US

Pos	Part	Q1	Q2	Q3	Q4	Q5	PS	Kit	Description	Option(s)	Remark
1	VOE3831236	1							Oil filter		
2	VOE21754776	1							Oil cooler		See ref 223/100

Date: 2014/1/26	Image id: 1063820	Catalogue: 20643	Model: L60G
Brand: Volvo	Serial: 1009-	Group/Section: 223/100	Title: Oil cooler 85108, 85111



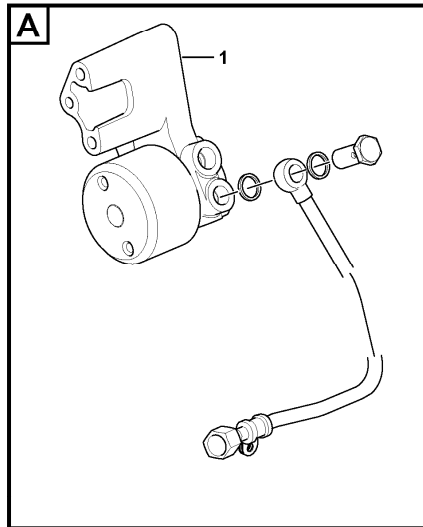
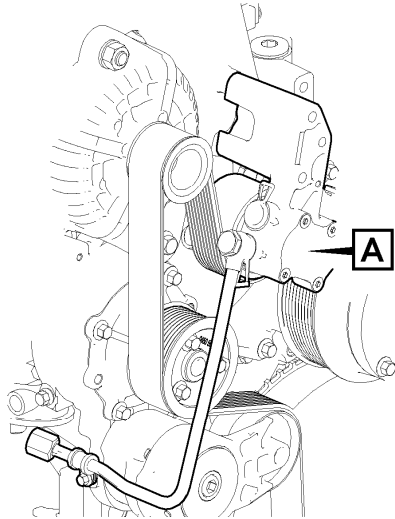
Volvo Construction
Equipment
1063820

Section option	Kit	Option description
VOE15083685		Engine D6H , US
VOE15165675		Engine D6H , EU
VOE85108		Engine Installation D6HLCE4, EU
VOE85111		Engine Installation D6HLCE4, US

Pos	Part	Q1	Q2	Q3	Q4	Q5	PS	Kit	Description	Option(s)	Remark
1	VOE21754776	1							Oil cooler		
2	VOE20459204	1							•Valve		
3	VOE20459203	1							•Gasket		
4	VOE13947281	1							•Gasket		
5	VOE20795923	1							•Plug		
6	VOE20459201	1							•Nipple		
7	VOE20459200	1							•Nipple		
8	VOE20502245	1							•Screw plug		
9	VOE13947622	1							•Plane gasket		

10	VOE21100405	1							•Valve seat		
11	VOE20862028	1							•Control plunger		
12	VOE21100407	1							•Spring		
13	VOE21100410	1							•Sleeve		
14	VOE20898038	1							•Pressure sensor		
15	VOE20459195	1							•Plug		
16	VOE13947628	1							•Plane gasket		
17	VOE20405599	1							•Sealing ring		
18	01110561	2					NS		•Screw		
19	VOE21072778	1							•Flange		
20	VOE20405917	3							•Screw		
21	VOE20405672	5							•Screw		
22	VOE21611489	2							Gasket		
23	VOE21011809	1							Plug		
24	VOE888474	1							Plug		
25	VOE20450890	1							Sealing ring		
26	VOE13947628	1							Plane gasket		
27	VOE20496519	1							Nipple		
28	VOE21695993	1							Oil cooler		
29	VOE20405885	7							Screw		

Date: 2014/1/26	Image id: 1060286	Catalogue: 20643	Model: L60G
Brand: Volvo	Serial: 1009-	Group/Section: 233/100	Title: Fuel pump 85108 , 85111

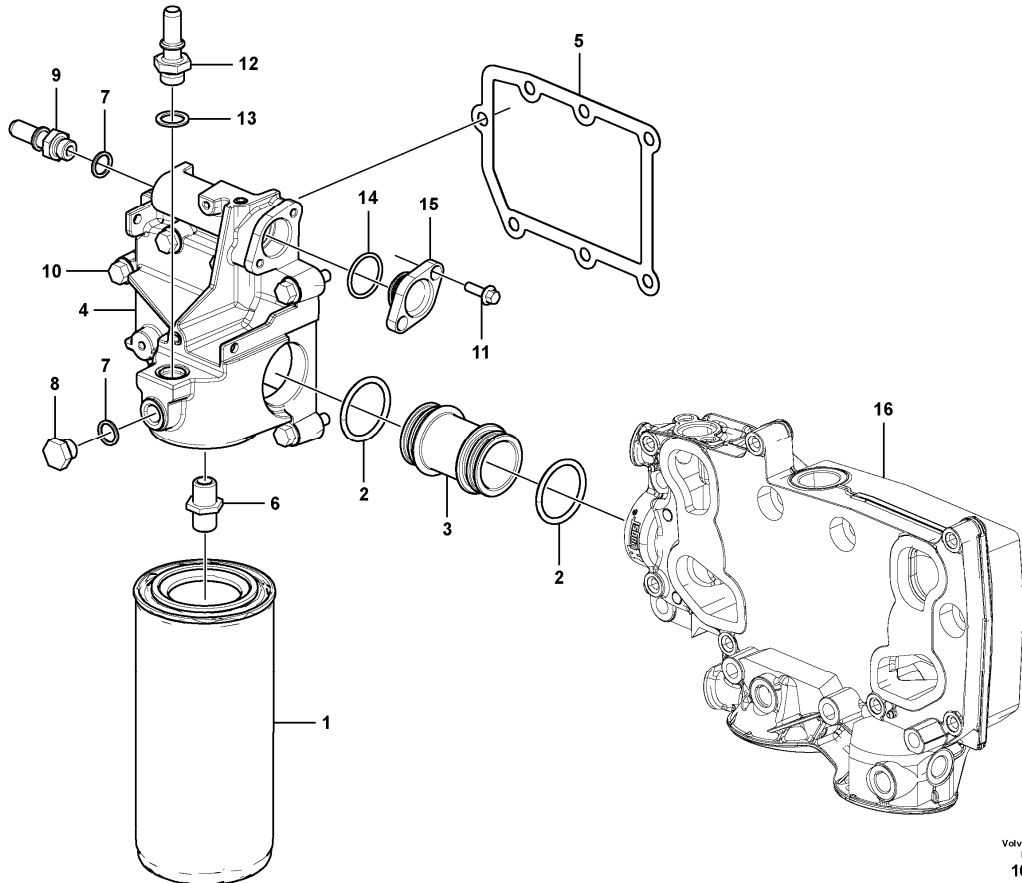


Volvo Construction
Equipment
1060286

Section option	Kit	Option description
VOE15083685		Engine D6H , US
VOE15165675		Engine D6H , EU
VOE85108		Engine Installation D6HLCE4, EU
VOE85111		Engine Installation D6HLCE4, US

Pos	Part	Q1	Q2	Q3	Q4	Q5	PS	Kit	Description	Option(s)	Remark
1	VOE21620116	1							Fuel pump		

Date: 2014/1/26	Image id: 1063725	Catalogue: 20643	Model: L60G
Brand: Volvo	Serial: 1009-	Group/Section: 233/150	Title: Fuel filter 85108, 85111



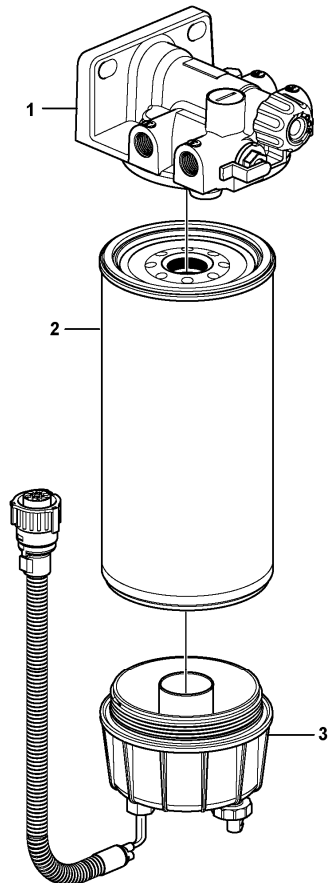
Volvo Construction
Equipment
1063725

Section option	Kit	Option description
VOE15083685		Engine D6H , US
VOE15165675		Engine D6H , EU
VOE85108		Engine Installation D6HLCE4, EU
VOE85111		Engine Installation D6HLCE4, US

Pos	Part	Q1	Q2	Q3	Q4	Q5	PS	Kit	Description	Option(s)	Remark
1	VOE20805349	1							Fuel Filter		
2	VOE20459193	2							Sealing ring		
3	VOE20459191	1							Plug		
4	VOE21307519	1							Filter housing		
5	VOE20459192	1							Gasket		
6	VOE20818370	1							Screw Bushing		
7	VOE993436	2							Gasket		
8	VOE20775883	1					NS		Plug		
9	VOE21793124	1							Plug		

10	VOE20412324	7							Screw		
11	VOE20450728	2							Bolt		
12	VOE20832581	1							Plug		
13	VOE21846543	1					NS		Gasket		
14	VOE21566343	1					NS		O-ring		
15	VOE20798139	1							Cover		
16	VOE21754776	1							Oil cooler		See ref 223/100

Date: 2014/1/26	Image id: 1023950	Catalogue: 20643	Model: L60G
Brand: Volvo	Serial: 1009-	Group/Section: 233/300	Title: Water separator 33005

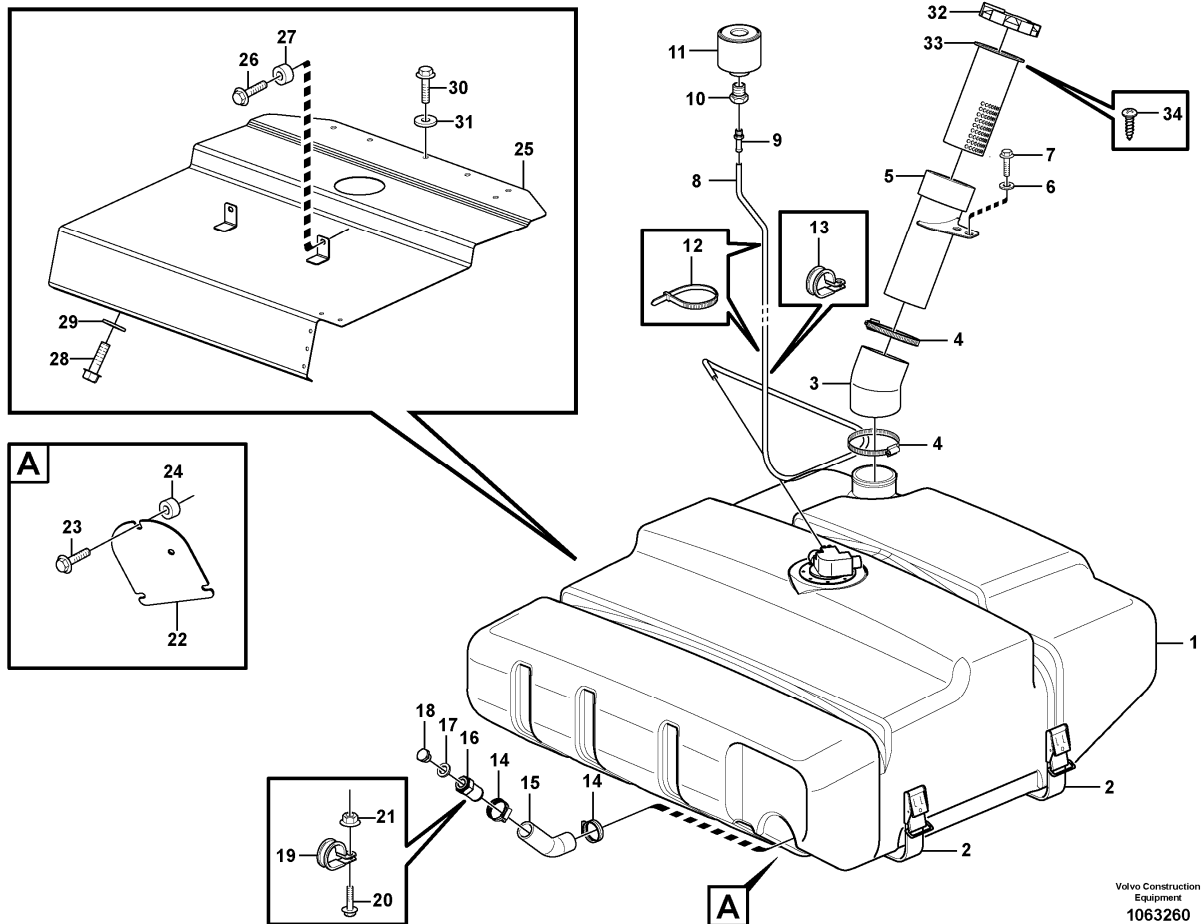


Volvo Construction
Equipment
1023950

Section option	Kit	Option description
VOE33005		Wheel Loader L60G

Pos	Part	Q1	Q2	Q3	Q4	Q5	PS	Kit	Description	Option(s)	Remark
	VOE11110709	1							Water separator		
1	VOE11110708	1					NS		•Filter Housing		
2	VOE11110683	1							•Primary filter		
3	VOE11110737	1							•Bowl		SE2302

Date: 2014/1/26	Image id: 1063260	Catalogue: 20643	Model: L60G
Brand: Volvo	Serial: 1009-	Group/Section: 234/100	Title: Fuel tank with fitting parts 33005, 84580



Volvo Construction
Equipment
1063260

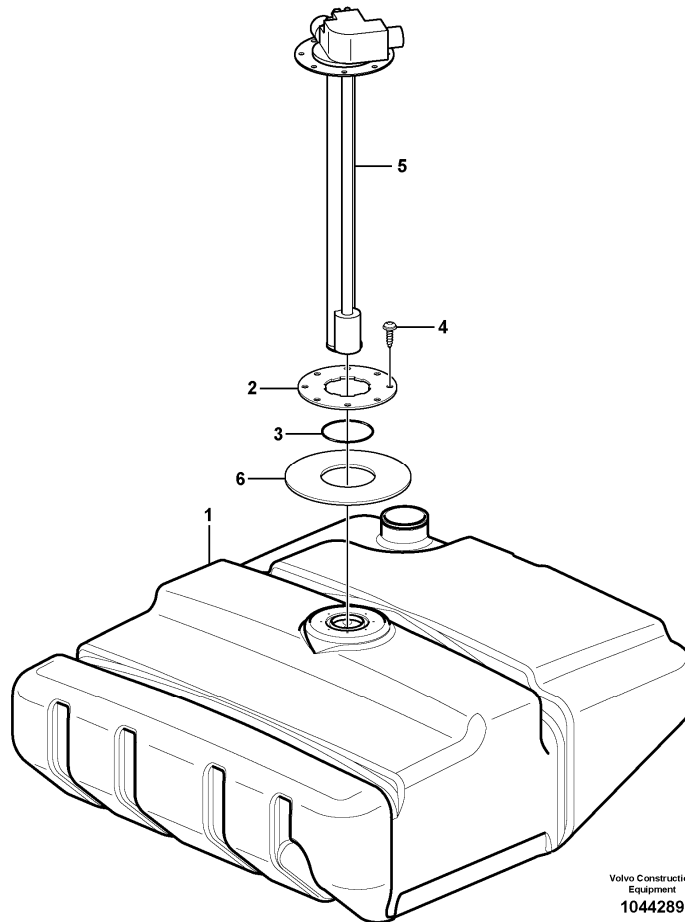
Section option	Kit	Option description
VOE33005		Wheel Loader L60G
VOE84580		Strainer, fuel fill

Q1-Q5	Option	Option description	
Q1 33005	VOE33005	Wheel Loader L60G	
Q2 84580	VOE84580	Strainer, fuel fill	

Pos	Part	Q1	Q2	Q3	Q4	Q5	PS	Kit	Description	Option(s)	Remark
1	VOE16813696	1							Fuel tank		See ref 234/150
2	VOE11132499	2							Retaining strap		
3	VOE15410367	1							Hose		
4	VOE943483	2							Hose clamp		
5	VOE16820631	1							Filler pipe		
6	VOE13948871	2							Spacer washer		
7	VOE13945444	2							Screw		

8	VOE11024720	REQ							Plastic hose		L = 1250 MM
9	VOE949221	1							Hose nipple		
10	VOE4854955	1							Nipple		
11	VOE11172907	1							Air filter		
12	VOE4881440	2							Cable tie		
13	VOE13946834	1							Clamp		
14	VOE11059294	2							Hose clamp		
15	VOE11411073	1							Hose		
16	VOE11411219	1							Nipple		
17	VOE948884	1							Plane gasket		
18	VOE13960632	1							Plug		
19	VOE973944	1							Clamp		
20	VOE946440	1							Flange screw		
21	VOE948645	1							Flange lock nut		
22	VOE11411077	1					NS		Shield		
23	VOE946440	3							Flange screw		
24	VOE13949873	3							Spacer washer		
25	VOE16624218	1							Cover plate		
26	VOE946671	2							Flange screw		
27	VOE13948871	2							Spacer washer		
28	VOE13945444	4							Screw		
29	VOE11117464	4							Washer		
30	VOE13946173	3							Screw		
31	VOE11117464	3							Washer		
32	VOE11118857	1							Filler cap		
33	VOE15048799		1						Strainer		
34	VOE972264		3						Six point socket screw		

Date: 2014/1/26	Image id: 1044289	Catalogue: 20643	Model: L60G
Brand: Volvo	Serial: 1009-	Group/Section: 234/150	Title: Fuel tank 33005



Section option	Kit	Option description
VOE33005		Wheel Loader L60G

Pos	Part	Q1	Q2	Q3	Q4	Q5	PS	Kit	Description	Option(s)	Remark
	VOE16813696	1							Fuel tank		
1	VOE16813695	1					NS		•Fuel tank		
2	VOE9518442	1							•Plate		
3	VOE925075	1							•O-ring		
4	VOE975378	8							•Six point socket screw		
5	VOE15010278	1							Tank unit		SE2303
6	VOE15066986	1							Insulation		

Thank you so much for reading.
Please click the “Buy Now!”
button below to download the
complete manual.



After you pay.

You can download the most
perfect and complete manual in
the world immediately.

Our support email:

ebooklibonline@outlook.com