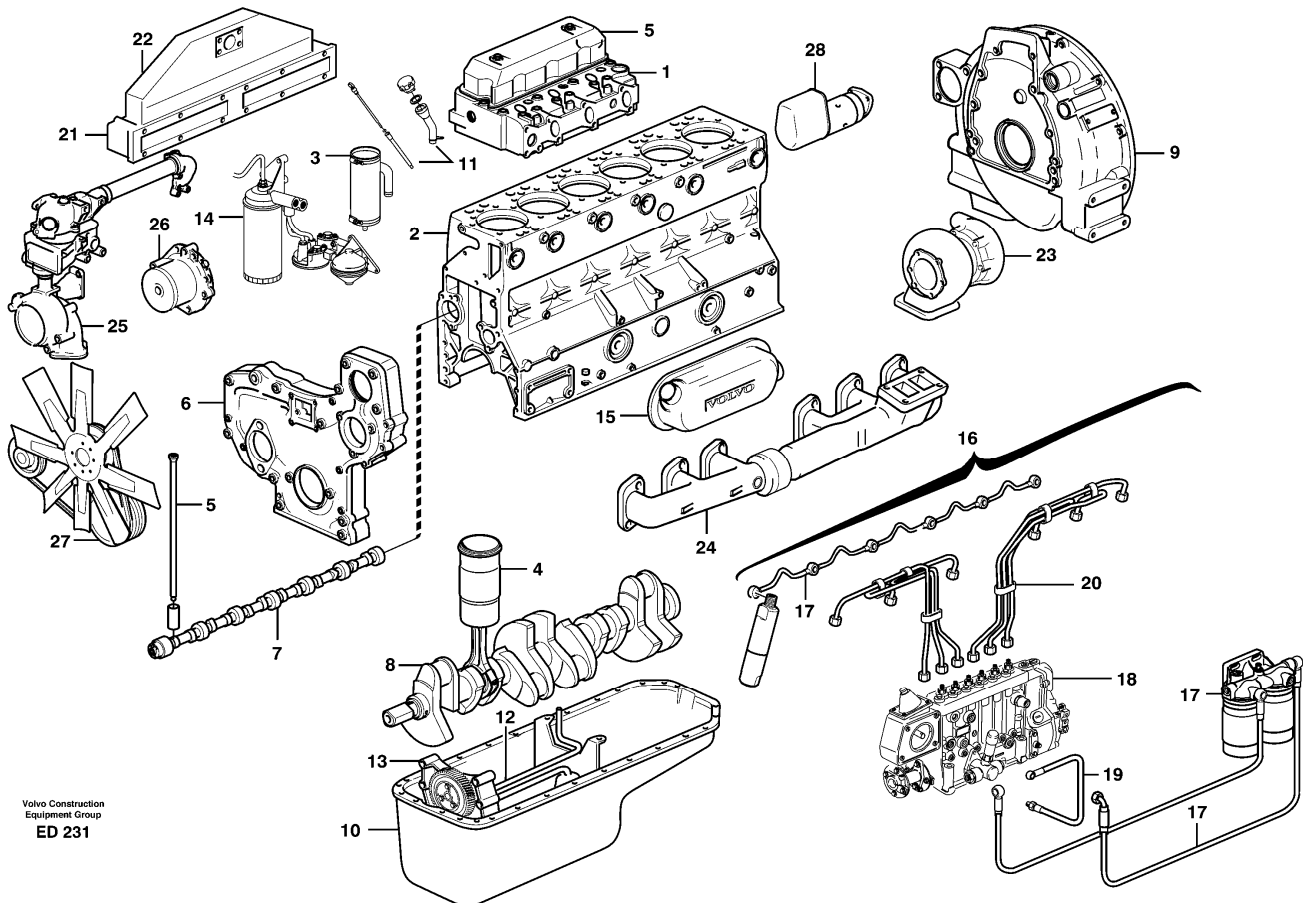


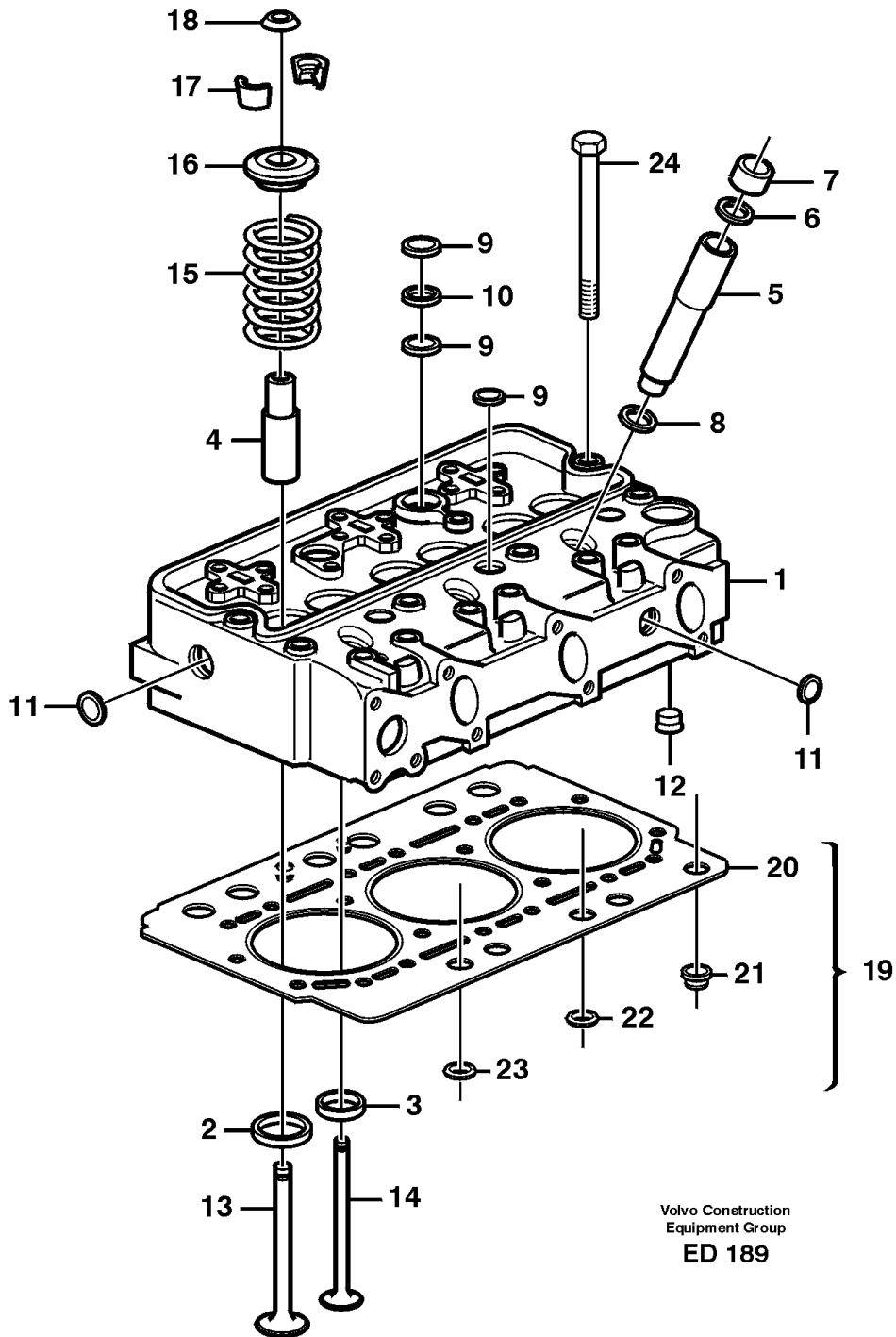
Date: 2014/2/18	Image id: ED231	Catalogue: 97811	Model: L90D
Brand: Volvo	Serial: 17001-17685, 64001-64937, 70501-70730	Group/Section: 210/150	Title: Engine



Pos	Part	Q1	Q2	Q3	Q4	Q5	PS	Kit	Description	Option(s)	Remark
	VOE15004128	1							Engine		(VOE8188107)TD 63 KBE
1		2							•Cylinder head		See ref 211/100
2		1							•Cylinder block		See ref 212/100
3		1							•Crankcase ventilation		See ref 212/200
4		1							•Cylinder liner		See ref 213/100
5		1							•Valve mechanism		See ref 214/100
6		1							•Timing gear casing		See ref 215/100
7		1							•Camshaft		See ref 215/150
8		1							•Crankshaft		See ref 216/100
9		1							•Flywheel housing		See ref 216/150
10		1							•Oil sump		See ref 217/100
11		1							•Oil filler and oil		See ref 217/150

									•••dipstick		
12		1							•Lubricating system		See ref 221/100
13		1							••Oil pump		See ref 221/150
14		1							•Oil filter		See ref 222/100
15		1							•Oil cooler with hoses		See ref 223/100
									•••Nipple		
16		1							•Fuel system		See ref 230/100
17		1							••Fuel pipes		See ref 235/150
18		1							••Injection pump		See ref 236/100
19		1							••Oil pipe		See ref 236/200
20		1							••Fuel pipe		See ref 237/100
21		1							•Inlet pipe		See ref 251/100
22		1							•Charge air cooler		See ref 258/100
23		1							•Turbocharger		See ref 255/100
24		1							•Exhaust pipe		See ref 251/100
25		1							•Water pump, thermosta		See ref 262/100
26		1							•Water pump		See ref 262/150
27		1							•Belt transmission		See ref 263/150
28		1							•Starter motor		See ref 331/100

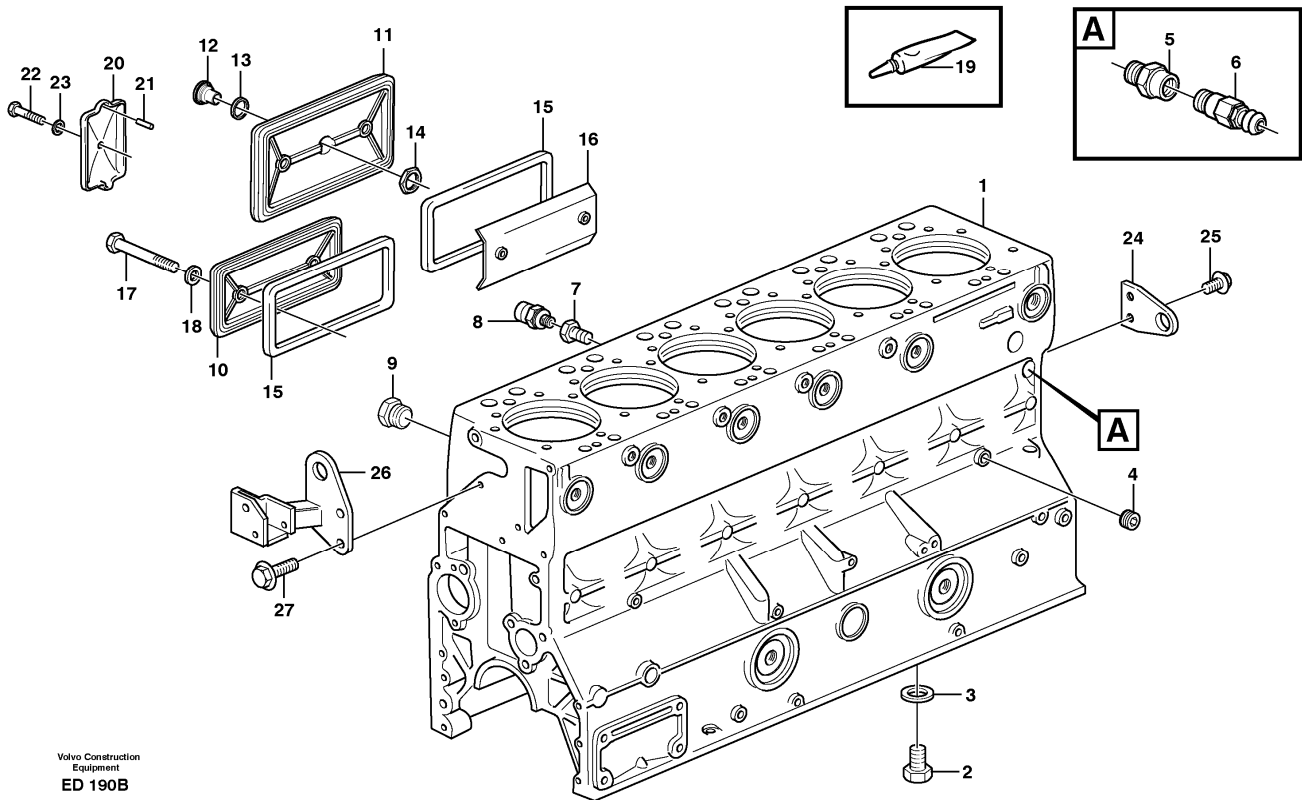
Date: 2014/2/18	Image id: ED189	Catalogue: 97811	Model: L90D
Brand: Volvo	Serial: 17001-17685, 64001-64937, 70501-70730	Group/Section: 211/100	Title: Cylinder head



Pos	Part	Q1	Q2	Q3	Q4	Q5	PS	Kit	Description	Option(s)	Remark
-----	------	----	----	----	----	----	----	-----	-------------	-----------	--------

	VOE420878	2							Cylinder head		
1	VOE420939	2					NS		•Cylinder head		
2	VOE420874	6							••Valve seat		STD, INLET
	VOE420876	6							••Valve seat		0,20 O SZ
3	VOE420875	6							••Valve seat		STD, EXHAUST
	VOE420877	6							••Valve seat		0,20 O SZ
4	VOE477792	12							••Valve guide		
5	VOE8192085	6							••Sleeve		
6	VOE466405	6							••Sealing ring		
7	VOE466420	6							••Ring		
8	VOE466922	6							••Sealing ring		
9	VOE477026	14							••Expansion plug		
10	VOE947626	4							••Gasket		
11	VOE477024	8							••Expansion plug		
12	VOE465420	4							••Nozzle		
13	VOE420553	6					SS		•Inlet valve		
14	VOE8192143	6							•Exhaust valve		
15	VOE465233	12							•Valve spring		
16	VOE465550	12							•Washer		
17	VOE1677875	24							•Valve Collet		
18	VOE465551	12							•Protecting sleeve		
19	VOE276821	2							Gasket kit		
20	VOE8192029	2					NS		•Gasket		
21	VOE466421	16							•Sealing ring		
22	VOE465784	12							•Sealing		
23	VOE422413	2							•Sealing ring		
24	VOE465840	40							Screw		

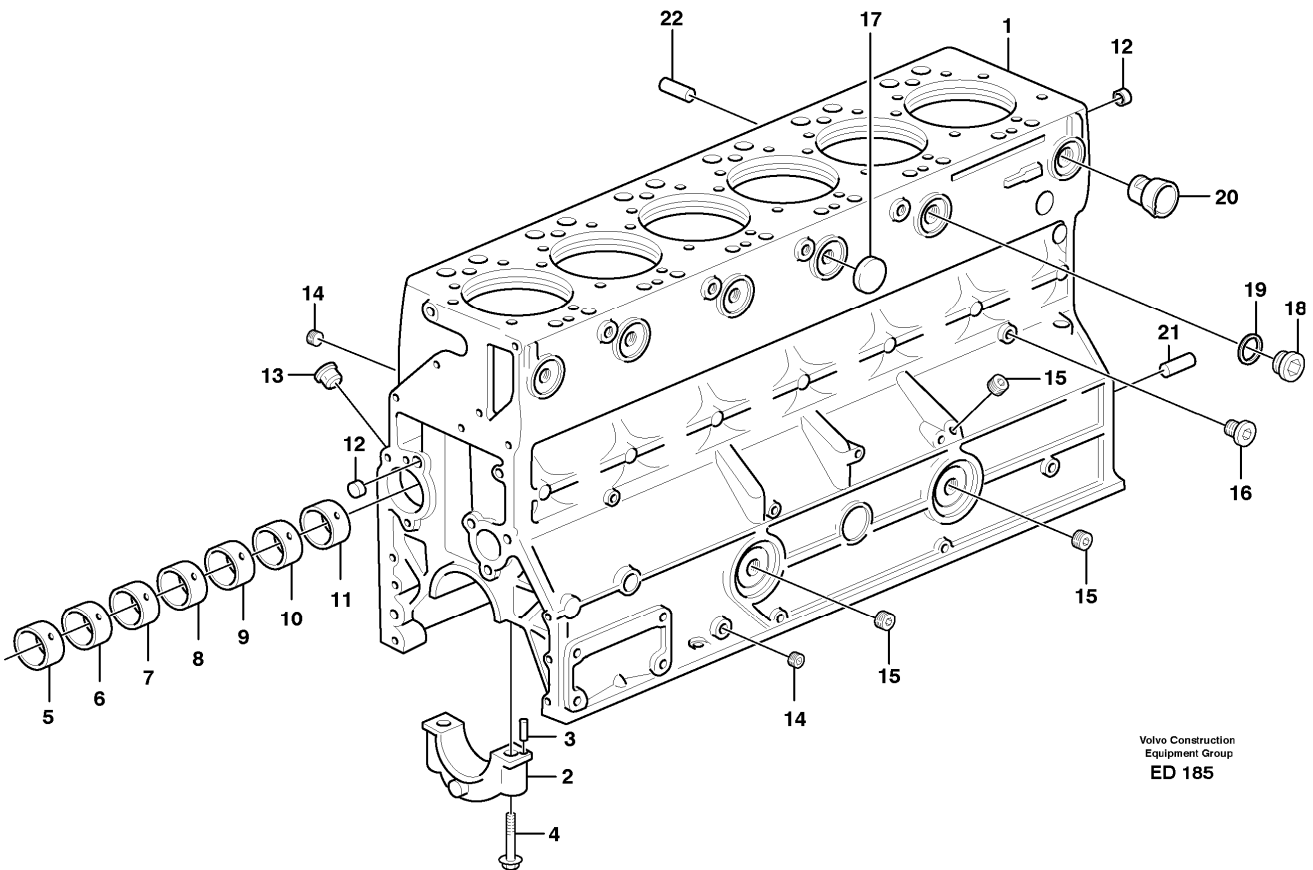
Date: 2014/2/18	Image id: ED190B	Catalogue: 97811	Model: L90D
Brand: Volvo	Serial: 17001-17685, 64001-64937, 70501-70730	Group/Section: 212/100	Title: Cylinder block



Pos	Part	Q1	Q2	Q3	Q4	Q5	PS	Kit	Description	Option(s)	Remark
1		1							Cylinder block		See ref 212/150
2	VOE13966146	1							Plug		
3	VOE13947629	1							Plane gasket		
4	VOE968060	1							Plug		
5	VOE479954	1							Nipple		
6	VOE13947893	1							Crane		
7	VOE862109	1							Nipple		
8	VOE11039575	1							Pressure sensor		
9	VOE479979	4							Plug		
10	VOE420120	1							Inspection lid		
11	VOE11162160	1							Inspection lid		
12	VOE11162161	1							Tube		
13	VOE468947	1							Sealing ring		
14	VOE468948	1							Nut		
15	VOE421121	2							Gasket		

16	VOE3978045	1						Splash plate		
17	VOE471855	4						Screw		
18	VOE471856	4						Sealing ring		
19	VOE1161277	REQ						Sealant		20 GRAM
	VOE11713514	REQ						Sealant		(VOE1161231)304 ML
20	VOE471854	1						Cover		
21	VOE13951973	1						Spring pin		
22	VOE471855	1						Screw		
23	VOE471856	1						Sealing ring		
24	VOE465994	2					NS	Lifting eye		
25	VOE13965191	4						Screw		
26	VOE11162177	1						Bracket		
27	VOE13965191	2						Screw		

Date: 2014/2/18	Image id: ED185	Catalogue: 97811	Model: L90D
Brand: Volvo	Serial: 17001-17685, 64001-64937, 70501-70730	Group/Section: 212/150	Title: Cylinder block

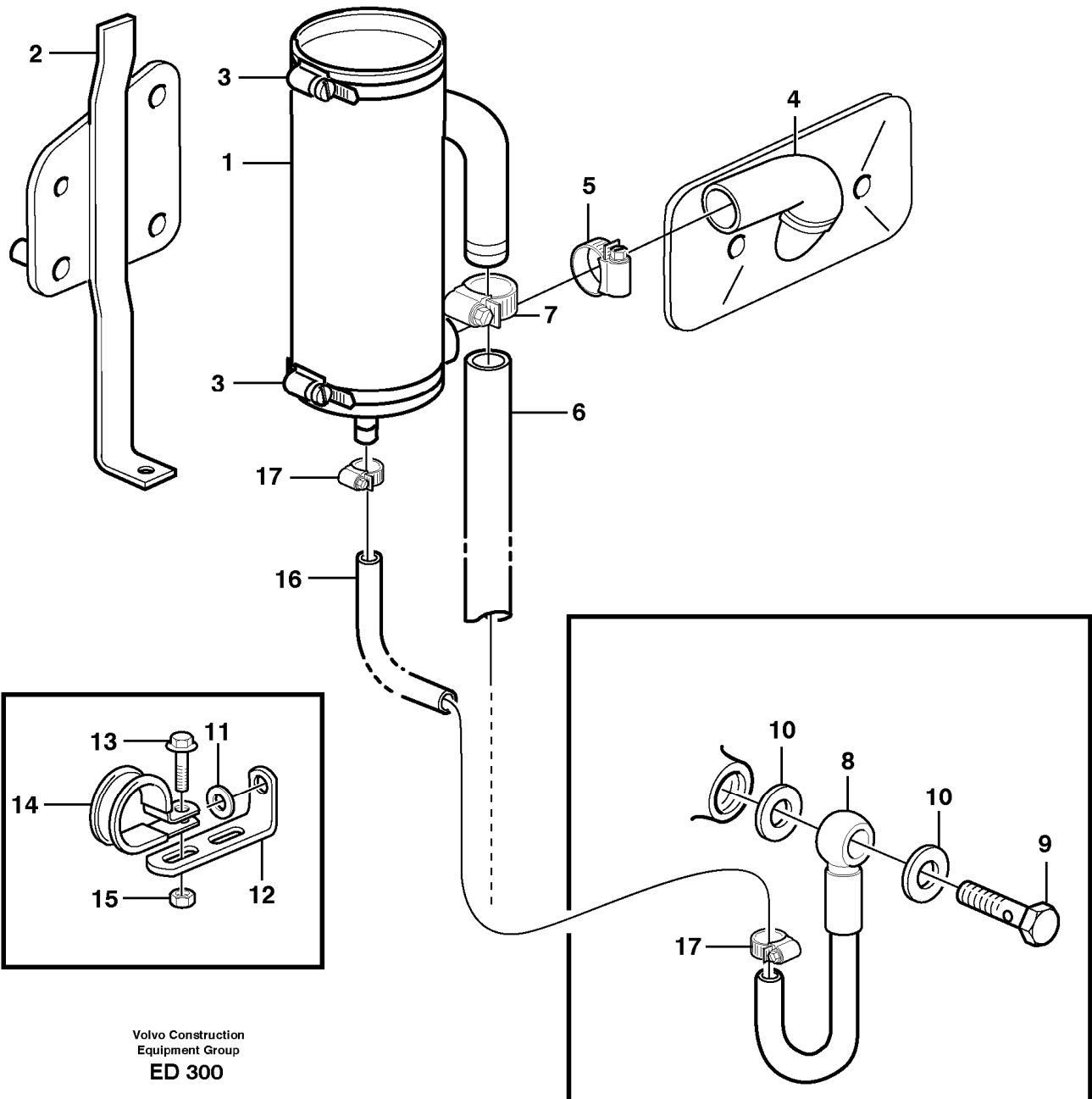


Volvo Construction
Equipment Group
ED 185

Pos	Part	Q1	Q2	Q3	Q4	Q5	PS	Kit	Description	Option(s)	Remark
	VOE420990	1							Cylinder block		
1	VOE420981	1					NS		•Cylinder block		
2		7					NS		•Cap		
3	VOE422426	1							•Pin		
4	VOE465899	14							•Screw		
5	VOE422076	1							•Bushing		
6	VOE422077	1							•Bushing		
7	VOE422078	1							•Bushing		
8	VOE11000014	1							•Bushing		
9	VOE422080	1							•Bushing		
10	VOE422081	1							•Bushing		
11	VOE422082	1							•Bushing		
12	VOE955082	6							•Cap plug		

13	VOE422369	2							•Plug		
14	VOE952075	2							•Plug		
15	VOE968145	3							•Plug		
16	VOE968060	1							•Plug		
17	VOE13968955	4							•Expansion plug		
18	VOE467367	2							•Plug		
19	VOE1556907	2							•Gasket		
20	VOE421154	6							•Nozzle		
21	VOE191171	2							•Pin		
22	VOE479979	5							•Plug		

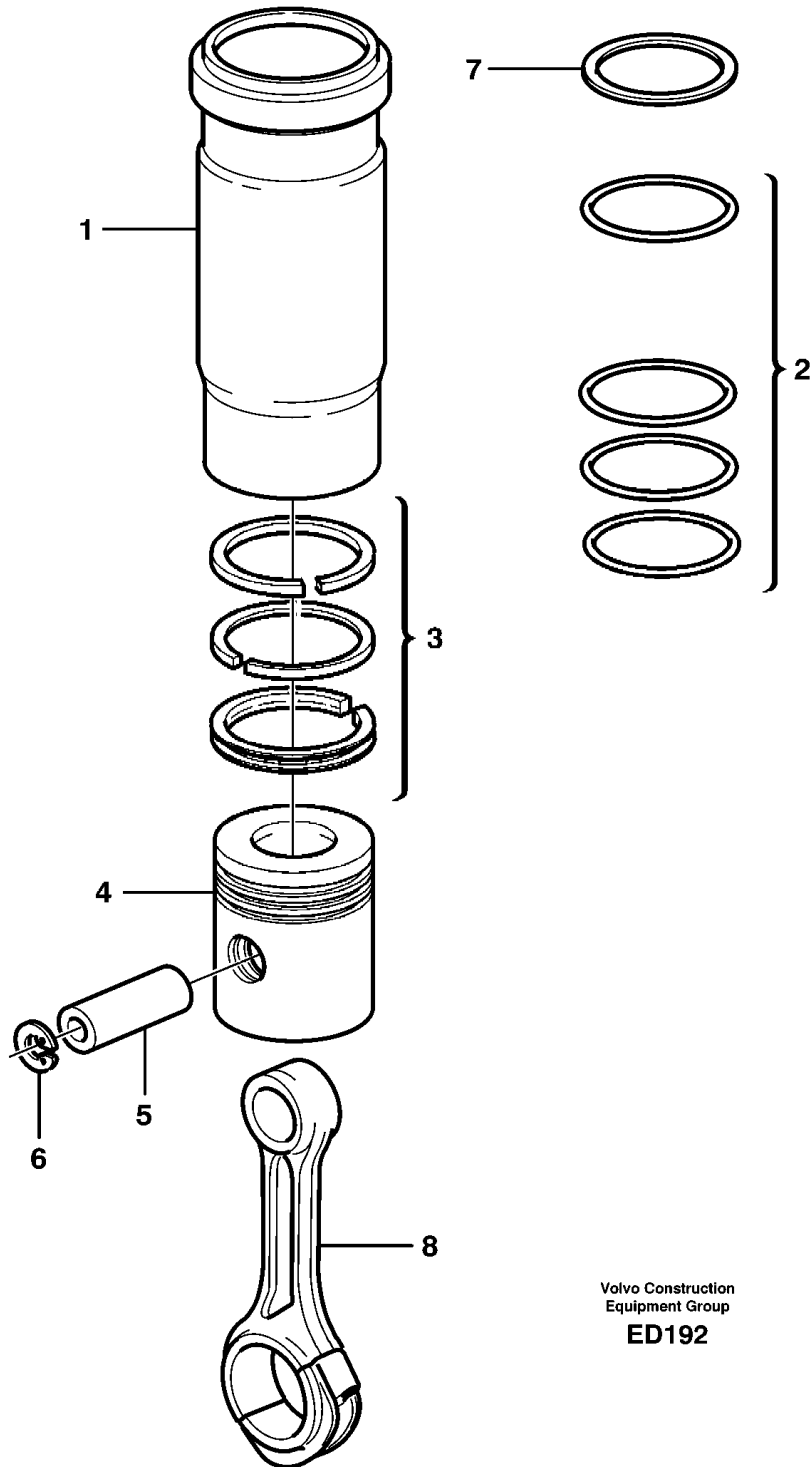
Date: 2014/2/18	Image id: ED300	Catalogue: 97811	Model: L90D
Brand: Volvo	Serial: 17001-17685, 64001-64937, 70501-70730	Group/Section: 212/200	Title: Crankcase ventilation



Pos	Part	Q1	Q2	Q3	Q4	Q5	PS	Kit	Description	Option(s)	Remark
1	VOE11127757	1							Oil trap		
2	VOE11127723	1							Anchorage		

3	VOE943483	2							Hose clamp		
4	VOE11127725	1							Return hose		
5	VOE943476	2							Hose clamp		
6	VOE927661	REQ							Rubber hose		
7	VOE943475	1							Hose clamp		
8	VOE11032097	1							Pipe		
9	VOE968178	1							Hollow screw		
10	VOE13947282	2							Gasket		
11	VOE843075	2							Spacer sleeve		
12	VOE13965556	1							Bracket		
13	VOE13945444	2							Screw		
	VOE13946544	1							Screw		
14	VOE13949747	2							Clamp		
15	VOE13945407	1							Nut		
16	VOE983342	REQ							Hose		(VOE977316)
17	VOE943470	2							Hose clamp		

Date: 2014/2/18	Image id: ED192	Catalogue: 97811	Model: L90D
Brand: Volvo	Serial: 17001-17685, 64001-64937, 70501-70730	Group/Section: 213/100	Title: Cylinder liner and piston

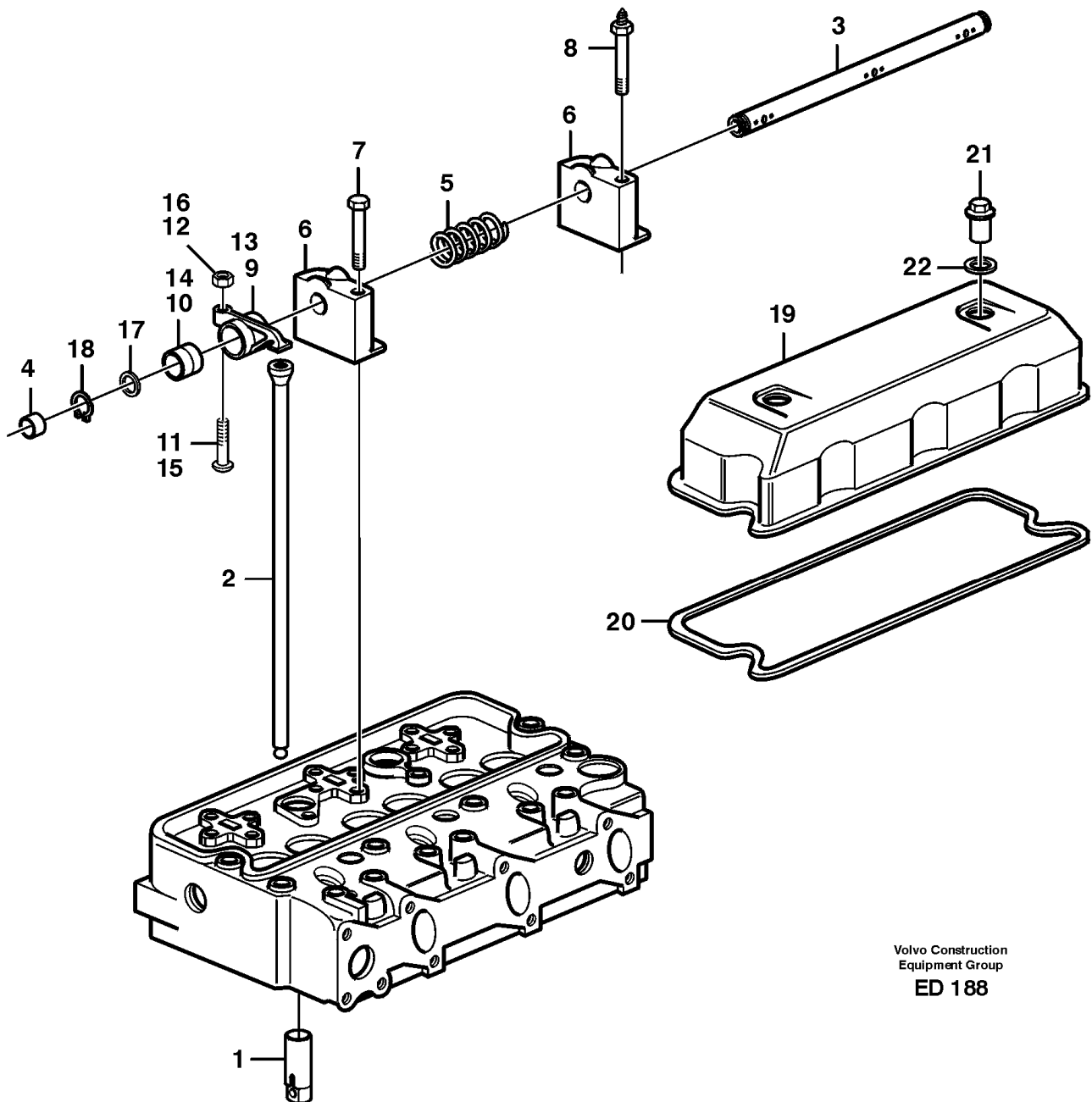


Volvo Construction
Equipment Group
ED192

Pos	Part	Q1	Q2	Q3	Q4	Q5	PS	Kit	Description	Option(s)	Remark
-----	------	----	----	----	----	----	----	-----	-------------	-----------	--------

1	VOE276929	6							•Cylinder liner kit		
2	VOE271161	6							•Seg Ring Kit		
		6					NS		••Sealing strip		UPPER
		12					NS		••Sealing strip		UPPER , MID
		6					NS		••Sealing strip		LOW
3	VOE276310	6							•Piston Ring Kit		
4		6					NS		•Piston		
5	VOE3978023	6							•Piston Pin		
6	VOE914523	12							•Snap Ring		
7	VOE465394	REQ							Shim		THICK = 0,20 MM
	VOE465395	REQ							Shim		THICK = 0,30 MM
	VOE465396	REQ							Shim		THICK = 0,50 MM
8		6							Connecting rod		See ref 216/100

Date: 2014/2/18	Image id: ED188	Catalogue: 97811	Model: L90D
Brand: Volvo	Serial: 17001-17685, 64001-64937, 70501-70730	Group/Section: 214/100	Title: Valve mechanism

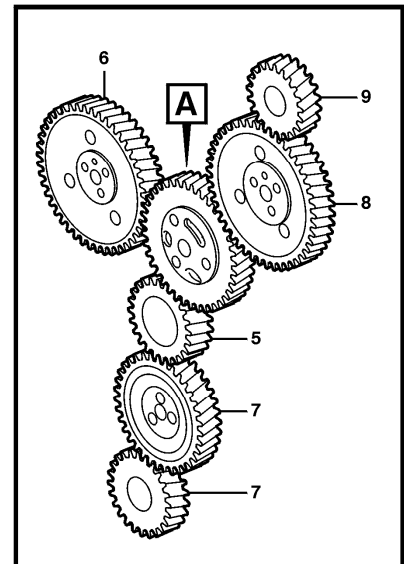
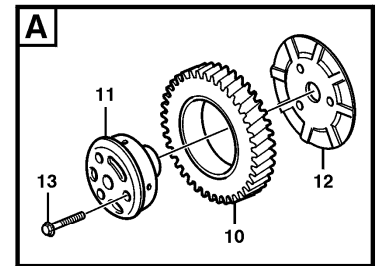
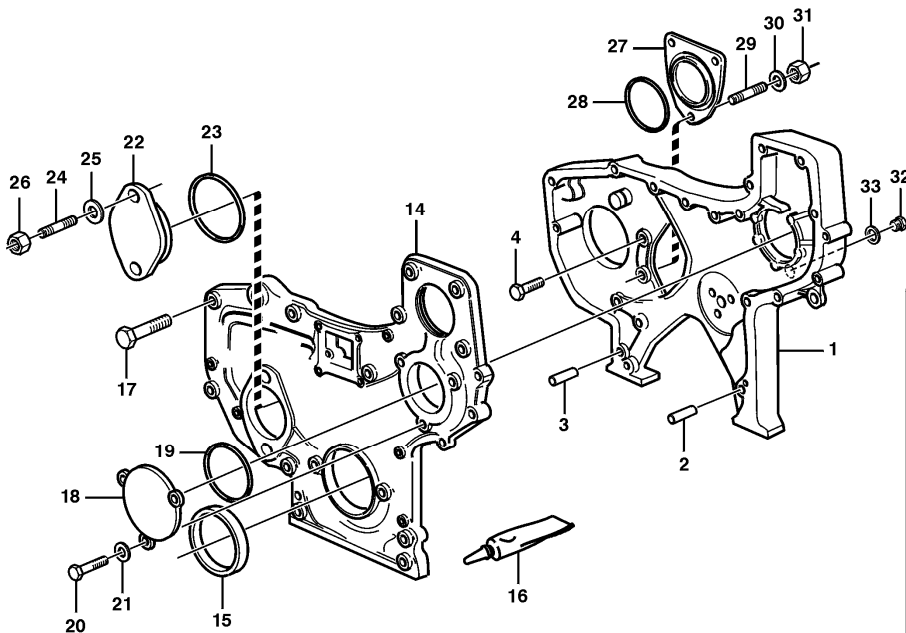


Volvo Construction
Equipment Group
ED 188

Pos	Part	Q1	Q2	Q3	Q4	Q5	PS	Kit	Description	Option(s)	Remark
1	VOE421067	12							Tappet		
2	VOE420021	12							Rod		
3	VOE465790	2							Shaft		

4	VOE13955083	4							•Cap plug		
5	VOE411139	4							Spring		
6	VOE1665204	6							Bearing Bracket		
7	VOE471513	8							Screw		
8	VOE471512	4							Screw		
9	VOE7420129	6							Rocker arm		INLET
	VOE420130	6					NS		•Rocker arm		
10	VOE420125	6							••Bushing		
11	VOE422993	6							•Bolt		
12	VOE940175	6							•Nut		
13	VOE420132	6							Rocker arm		EXHAUST
	VOE420133	6					NS		•Rocker arm		
14	VOE420125	6							••Bushing		
15	VOE422993	6							•Bolt		
16	VOE940175	6							•Nut		
17	VOE7400722	4							Shim		
18	VOE914456	4							Retaining ring		
19	VOE465951	2							Valve cover		
20	VOE465952	2							Gasket		
21	VOE465961	4							Cap nut		
22	VOE471856	4							Sealing ring		

Date: 2014/2/18	Image id: ED187	Catalogue: 97811	Model: L90D
Brand: Volvo	Serial: 17001-17685, 64001-64937, 70501-70730	Group/Section: 215/100	Title: Timing gear casing and gears

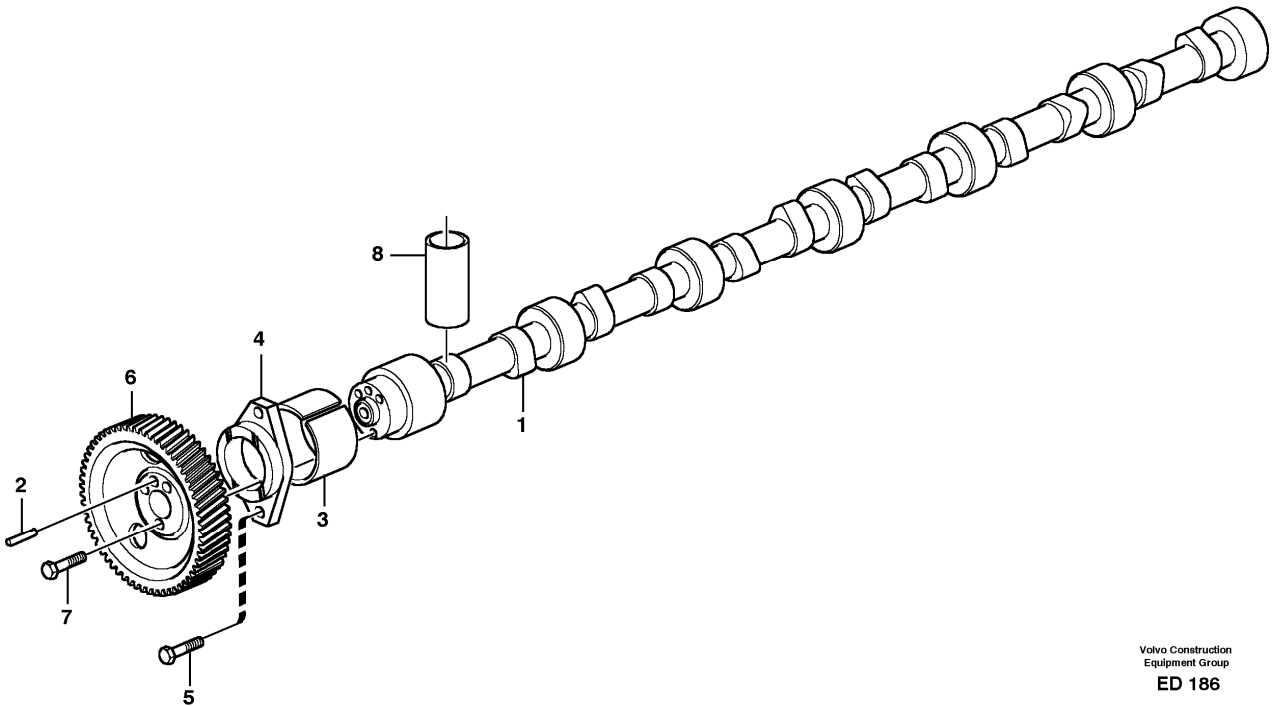


Volvo Construction
Equipment Group
ED 187

Pos	Part	Q1	Q2	Q3	Q4	Q5	PS	Kit	Description	Option(s)	Remark
1	VOE3978745	1							Tmg Gear Casing		
2	VOE13941510	1							Pin		
3	VOE13941511	1							Pin		
4	VOE471534	2							Screw		L = 28 MM
	VOE471535	2							Screw		L = 58 MM
5		1							Crankshaft gear		See ref 216/100
6		1							Camshaft gear		See ref 215/150
7		2							Oilpump gear		See ref 221/150
8		1							Gear,inject.pump		See ref 236/100
9		1							Water pump ger		See ref 262/200
10	VOE8192518	1							Idler Gear		
11	VOE11704619	1							Axle		
12	VOE478951	1							Thrust Washer		

13	VOE471554	3							Screw		
14	VOE8192590	1							Tmg Gear Cover		
15	VOE477118	1							•Sealing ring		
16	VOE1161277	REQ							Sealant		20 GRAM
	VOE11713514	REQ							Sealant		(VOE1161231)304 ML
17	VOE13947760	7							Flange screw		M8 x 40 MM
	VOE13948217	2							Flange screw		M8 x 55 MM
	VOE13965216	1							Screw		M8 x 55 MM
	VOE13965182	6							Flange screw		M8 x 80 MM
	VOE13965183	1							Flange screw		M8 x 90 MM
	VOE965225	1							Flange screw		M12 x 35 MM
18	VOE471559	1							Cap		
19	VOE925257	1							O-ring		
20	VOE13945444	3							Flange screw		
21	VOE13941907	3							Spring Washer		
22	VOE465735	1							Cap		
23	VOE925094	1							O-ring		
24	VOE479972	1							Stud		L = 45 MM
	VOE479973	1							Stud		L = 80 MM
25	VOE955895	2							Washer		
26	VOE13971095	2							Flange nut		
27	VOE420178	1							Cover		
28	VOE13975610	1							O-ring		
29	VOE967951	3							Stud		
30	VOE955899	3							Washer		
31	VOE13971097	3							Flange nut		
32	VOE13960632	1							Plug		
33	VOE13947624	1							Plane Gasket		

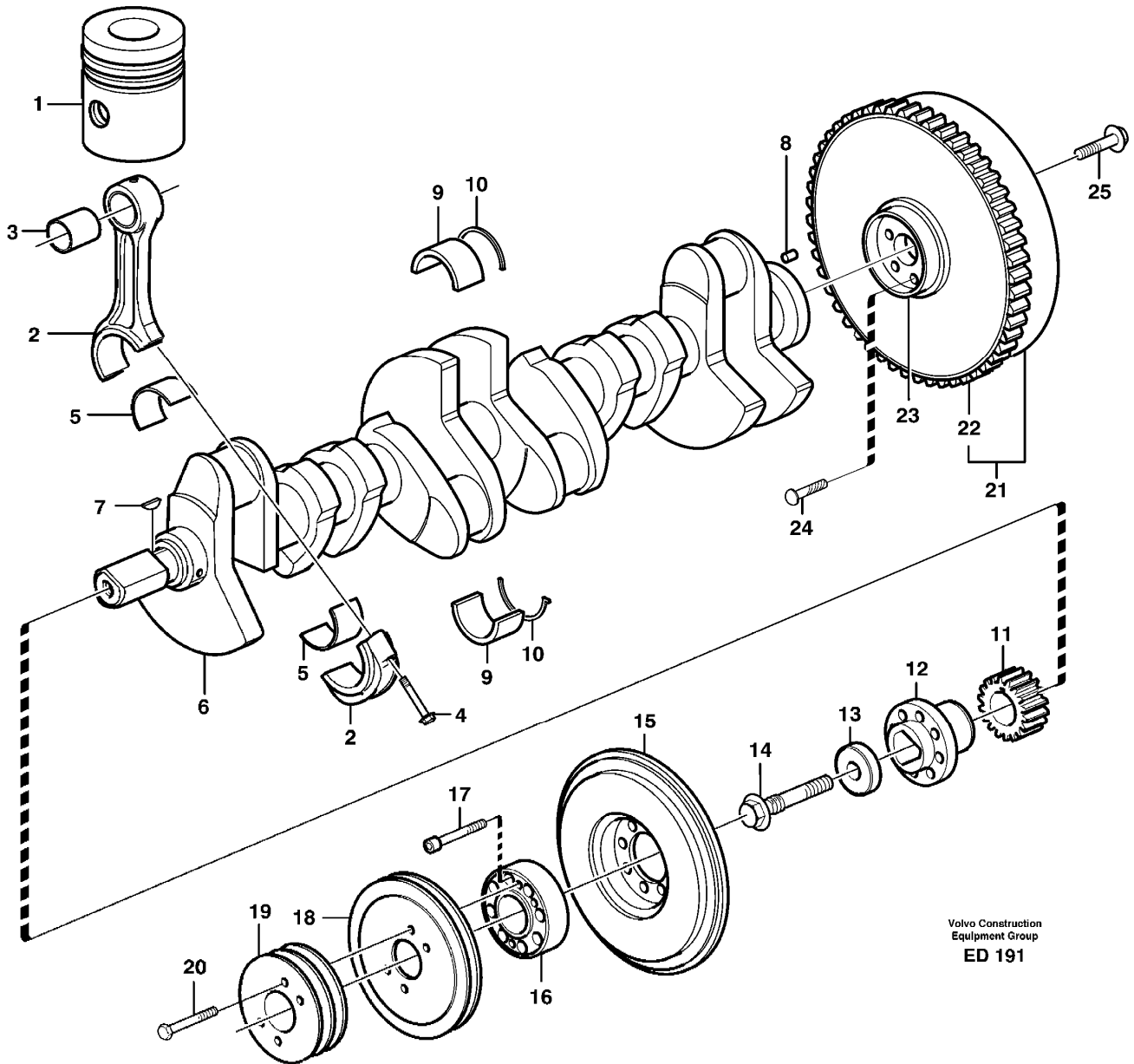
Date: 2014/2/18	Image id: ED186	Catalogue: 97811	Model: L90D
Brand: Volvo	Serial: 17001-17685, 64001-64937, 70501-70730	Group/Section: 215/150	Title: Camshaft



Volvo Construction
Equipment Group
ED 186

Pos	Part	Q1	Q2	Q3	Q4	Q5	PS	Kit	Description	Option(s)	Remark
1	VOE465787	1							Camshaft		
2	VOE950588	1							•Pin		
3		7							Bushing		See ref 212/150
4	VOE465789	1							Flange		
5	VOE471509	2							Screw		
6	VOE478297	1							Gear		
7	VOE471555	3							Screw		
8		12							Tappet		See ref 214/100

Date: 2014/2/18	Image id: ED191	Catalogue: 97811	Model: L90D
Brand: Volvo	Serial: 17001-17685, 64001-64937, 70501-70730	Group/Section: 216/100	Title: Crankshaft and related parts

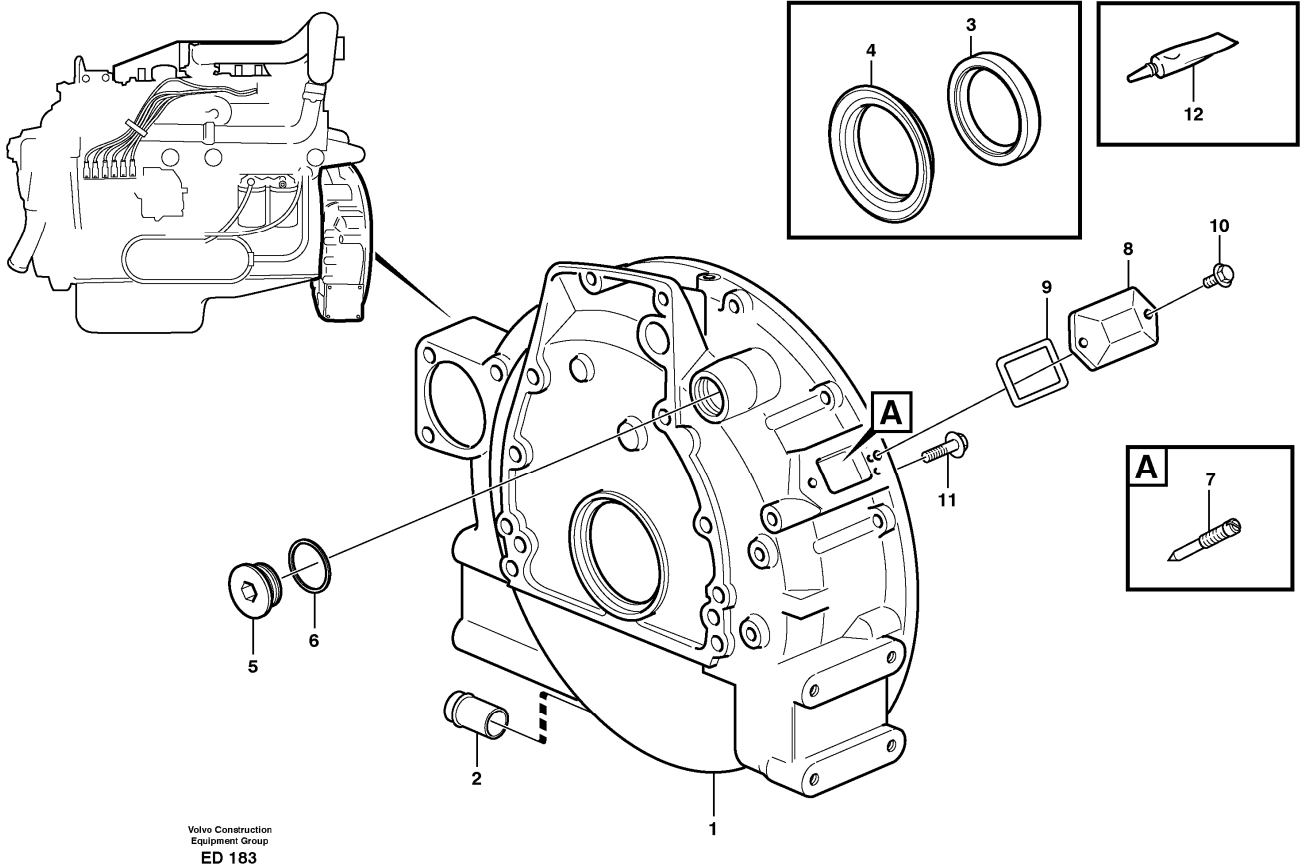


Volvo Construction
Equipment Group
ED 191

Pos	Part	Q1	Q2	Q3	Q4	Q5	PS	Kit	Description	Option(s)	Remark
1		6							Piston		See ref 213/100
	VOE8192120	6					SS		Connecting Rod		
2		6					NS		•Connecting rod		
3	VOE8192121	6							•Bushing		
4	VOE465815	12							•Screw		

5	VOE270139	6							Piston Bearing		STD
	VOE270140	6							Big End Brg Kit		0,25MM U SZ
	VOE270141	6							Big End Brg Kit		0,50MM U SZ
	VOE270142	6							Big End Brg Kit		0,75MM U SZ
	VOE8192122	1						SS	Crankshaft		
6		1						NS	•Crankshaft		
7	VOE422253	1							•Key		
8	VOE950677	1							•Pin		
9	VOE271230	7							Mn Bearing Kit		STD
	VOE271231	7							Mn Bearing Kit		0,254 MM U SZ
	VOE271232	7							Mn Bearing Kit		0,508 MM U SZ
	VOE271233	7							Mn Bearing Kit		0,762 MM U SZ
	VOE271234	7							Mn Bearing Kit		1,016 MM U SZ
10	VOE276751	1							Thr Washer Kit		STD SZ
	VOE276752	4							Thrust Washer		0,10 MM O SZ
	VOE276753	4							Thrust Washer		0,20 MM O SZ
11	VOE471528	1							Gear		
12	VOE465779	1							Hub		
13	VOE420124	1							Washer		
14	VOE1543035	1							Screw		
15	VOE421515	1							Vib Damper		
16	VOE4772218	1							Hub		
17	VOE4772247	8							Screw		
18	VOE4772217	1							Strap		
19	VOE4772236	1							Strap		
20	VOE13965187	4							Flange screw		
21	VOE11030938	1							Flywheel		
22	VOE420314	1							•Gear Ring		
23	VOE786589	1							Deflector		
24	VOE905654	4							Drive Screw		
25	VOE471541	9							Screw		

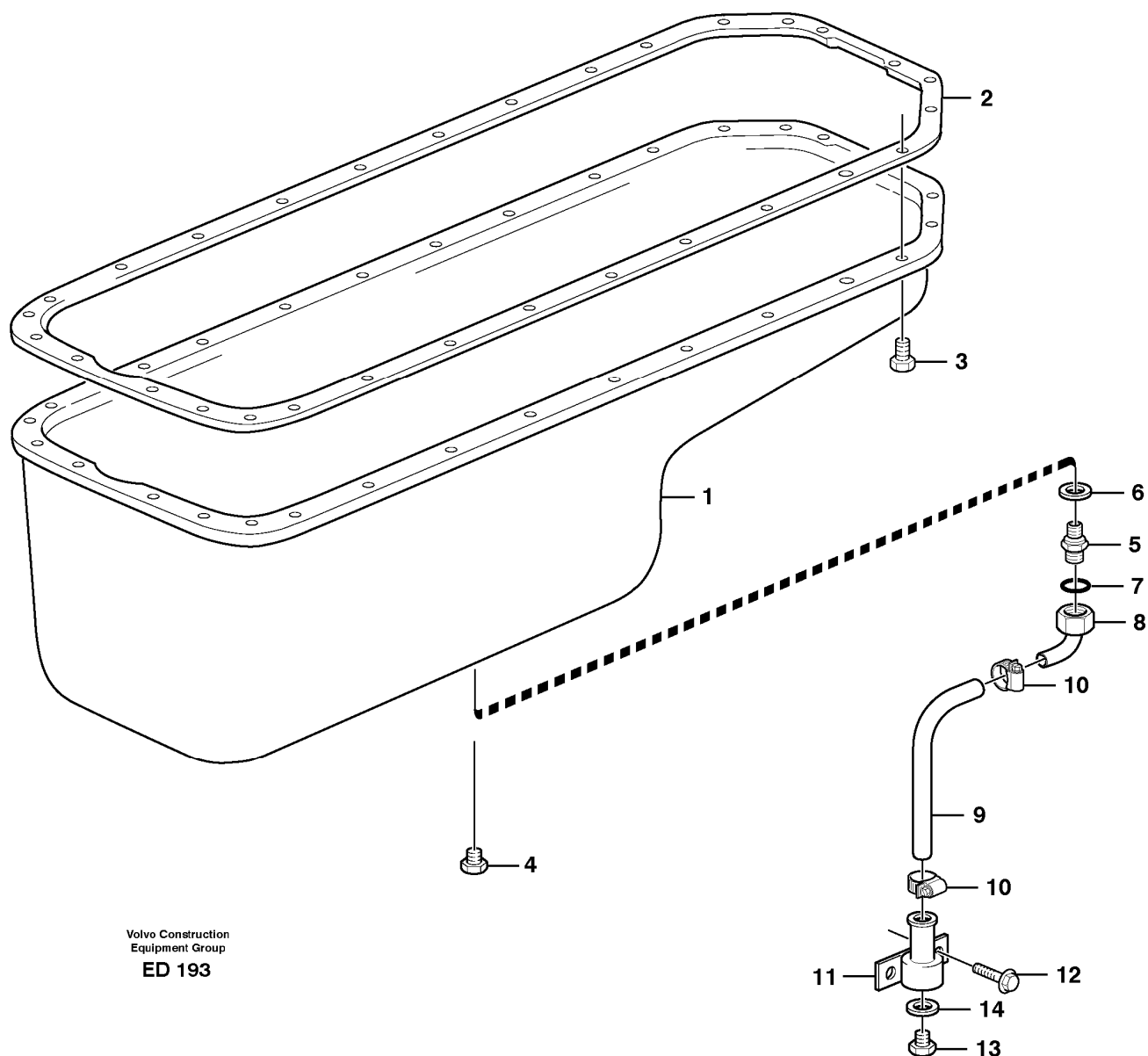
Date: 2014/2/18	Image id: ED183	Catalogue: 97811	Model: L90D
Brand: Volvo	Serial: 17001-17685, 64001-64937, 70501-70730	Group/Section: 216/150	Title: Flywheel housing



Pos	Part	Q1	Q2	Q3	Q4	Q5	PS	Kit	Description	Option(s)	Remark
1	VOE11030955	1							Flywheel Hsg		
2	VOE739393	1							•Pipe		
3	VOE477119	1							Crankshaft Seal		
4	VOE4772132	1							Oil Catcher		
5	VOE467367	1							Plug		
6	VOE1556907	1							Gasket		
7	VOE1543173	1							Setting Indicator		
8	VOE4772168	1							Cap		
9	VOE4804167	1							Gasket		
10	VOE13946544	2							Flange screw		
11	VOE13966361	6							Flange screw		L = 55 MM
	VOE13966363	2							Flange screw		L = 65 MM
	VOE968753	2							Flange screw		L = 75 MM

12	VOE1161277	REQ							Sealant		20 GRAM
	VOE11713514	REQ							Sealant		(VOE1161231)304ML

Date: 2014/2/18	Image id: ED193	Catalogue: 97811	Model: L90D
Brand: Volvo	Serial: 17001-17685, 64001-64937, 70501-70730	Group/Section: 217/100	Title: Oil sump



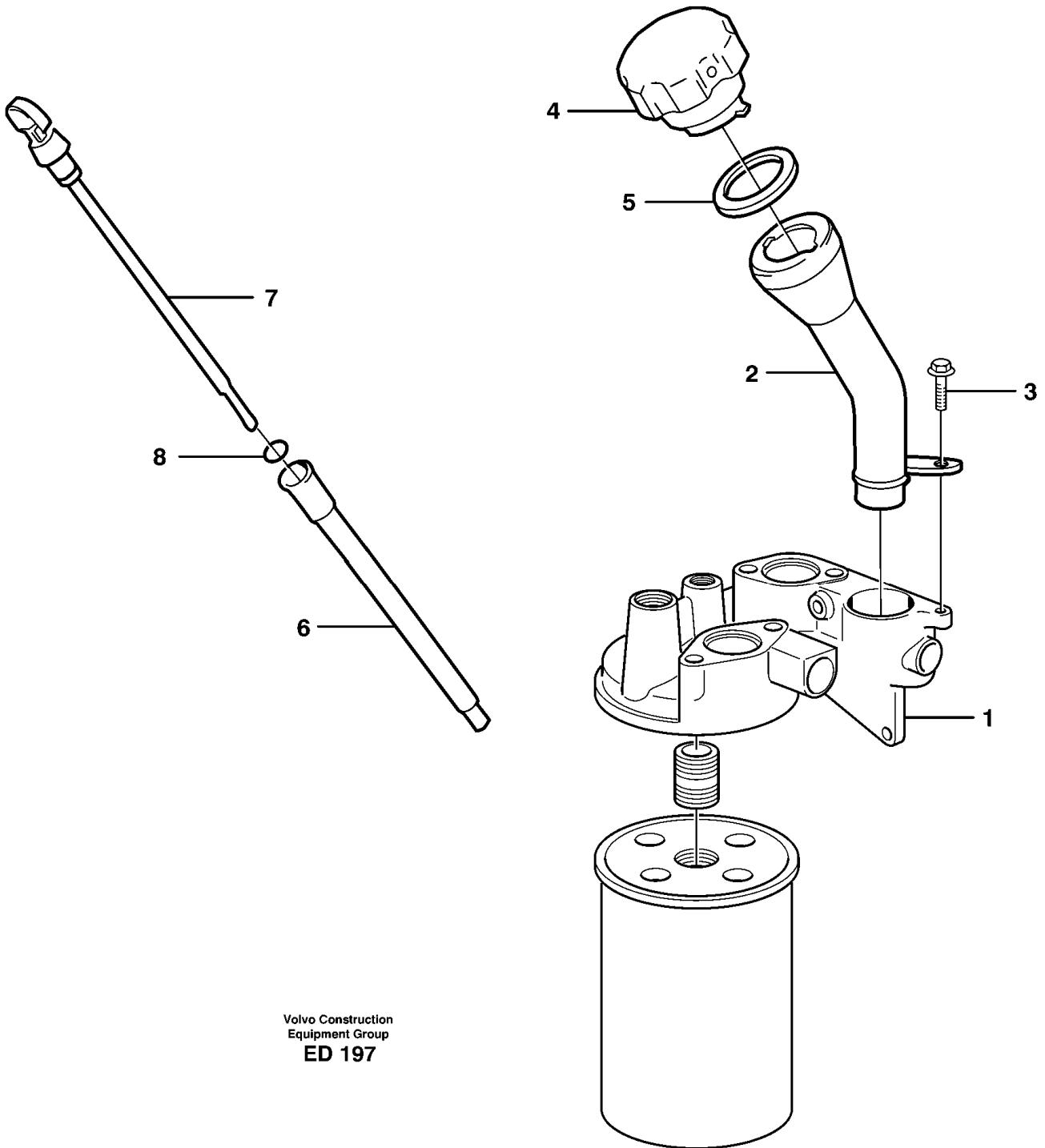
Pos	Part	Q1	Q2	Q3	Q4	Q5	PS	Kit	Description	Option(s)	Remark
1	VOE11162237	1							Oil pan		(VOE11127747)
2	VOE11030778	1							Gasket		
3	VOE946440	33							Flange screw		L = 16 MM
	VOE13946173	1							Screw		L = 20 MM
4	VOE13960635	1							Plug		

5	VOE11130084	1							Nipple		
6	VOE949329	1							Gasket		
7	VOE981289	1							O-ring		
8	VOE11133290	1							Oil draining pipe		
9	VOE13961193	REQ							Hydraulic hose		L = 540 MM
10	VOE943475	2							Hose clamp		
11	VOE11133314	1							Nipple		
12	VOE946440	2							Flange screw		
13	VOE13960634	1							Plug		
14	VOE948885	1							Plane gasket		

VOLVO

Construction Equipment

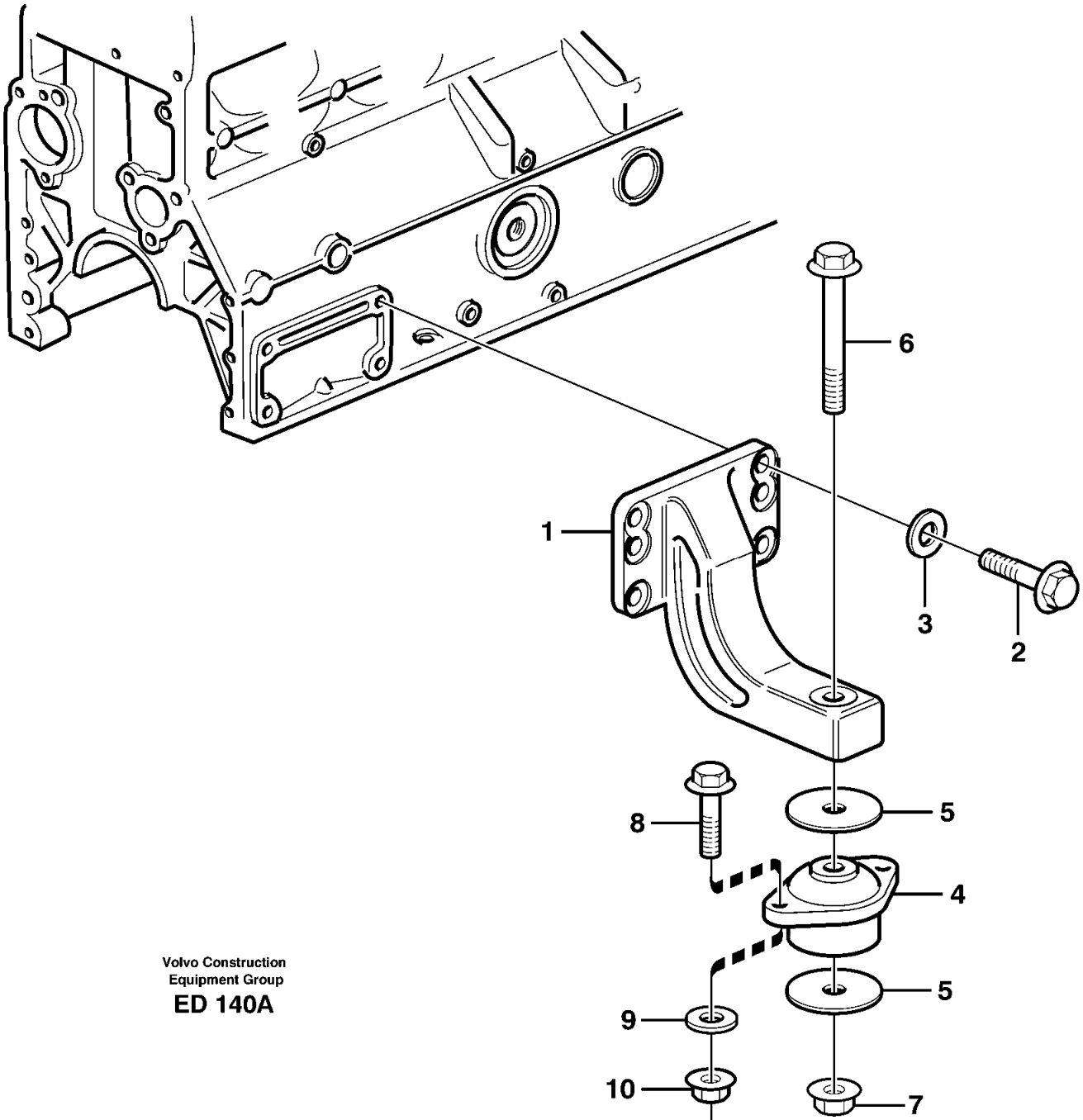
Date: 2014/2/18	Image id: ED197	Catalogue: 97811	Model: L90D
Brand: Volvo	Serial: 17001-17685, 64001-64937, 70501-70730	Group/Section: 217/150	Title: Oil filler and dipstick



Pos	Part	Q1	Q2	Q3	Q4	Q5	PS	Kit	Description	Option(s)	Remark
-----	------	----	----	----	----	----	----	-----	-------------	-----------	--------

1		1							Housing		See ref 222/100
2	VOE4772233	1							Oil filler pipe		
3	VOE13946173	1							Screw		
4	VOE3547599	1					SS		Oil filler cap		
5	VOE1275379	1							•Gasket		(VOE940096)
6	VOE11030765	1							Pipe		
7	VOE4772191	1							Dipstick		
8	VOE925054	1							•O-ring		

Date: 2014/2/18	Image id: ED140A	Catalogue: 97811	Model: L90D
Brand: Volvo	Serial: 17001-17685, 64001-64937, 70501-70730	Group/Section: 218/100	Title: Engine mounting

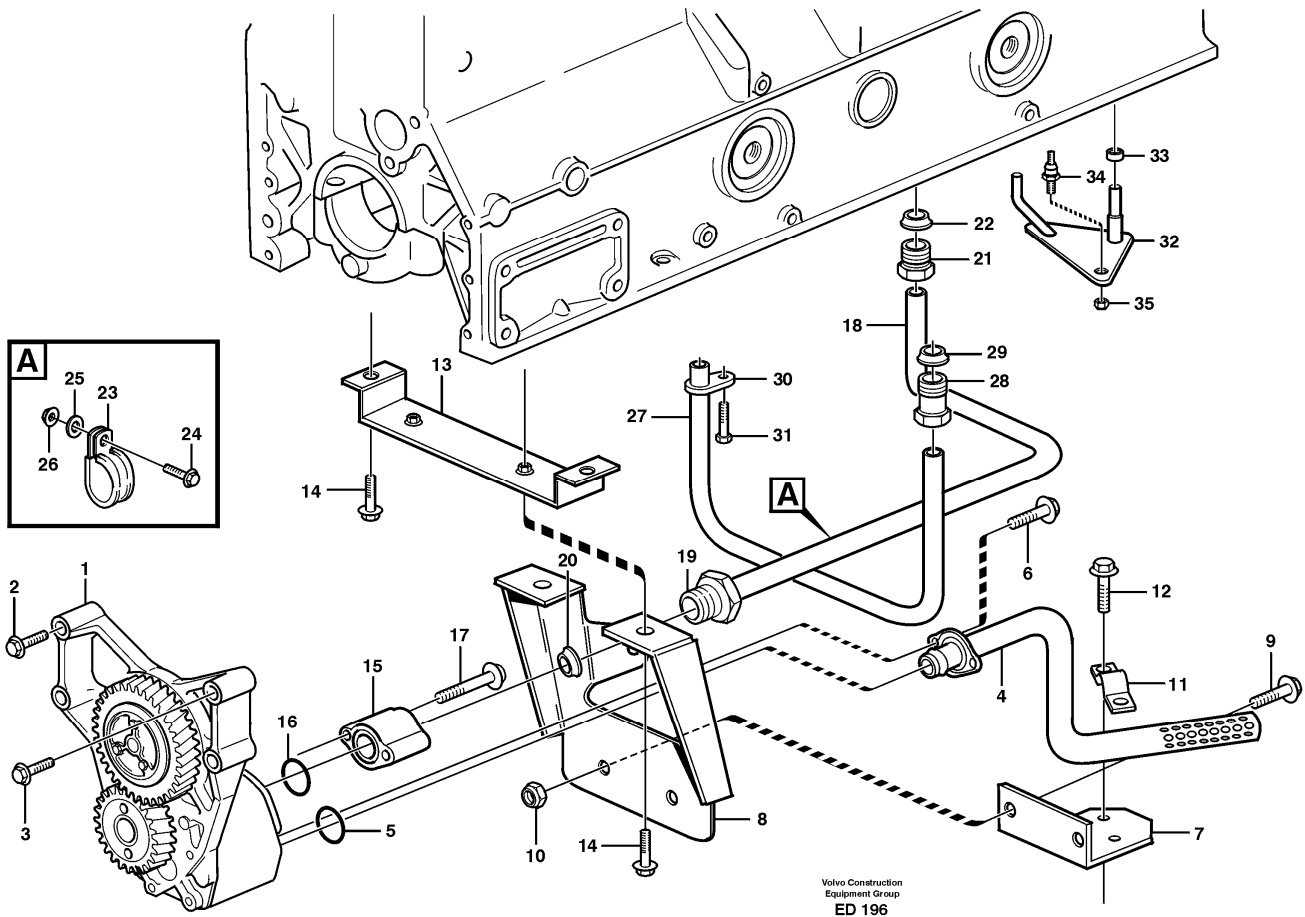


Volvo Construction
Equipment Group
ED 140A

Pos	Part	Q1	Q2	Q3	Q4	Q5	PS	Kit	Description	Option(s)	Remark
1	VOE4856778	2							Engine Mounting		
	VOE11015919	1							Engine Mounting	VOE80273	
2	VOE13965227	8							Screw		

3	VOE13955897	8							Washer		
4	VOE342812	2							Rubber cushion		SER NO - 17388 SER NO - 64191 USA SER NO - 70552 BRAZIL
	VOE11174162	2							Rubber cushion		SER NO 17389 - SER NO 64192 - USA SER NO 70553 - BRAZIL
5	VOE11015657	4							Washer		SER NO - 17388 SER NO - 64191 USA SER NO - 70552 BRAZIL
	VOE11147828	4							Washer		SER NO 17389 SER NO 64192 - USA SER NO 70553 - BRAZIL
6	VOE968595	2							Flange screw		
7	VOE13967934	2							Flange Lock Nut		
8	VOE13965185	4							Flange screw		
9	VOE13960143	4							Washer		SER NO - 17388 SER NO - 64191 USA SER NO - 70552 BRAZIL
10	VOE13971098	4							Flange nut		

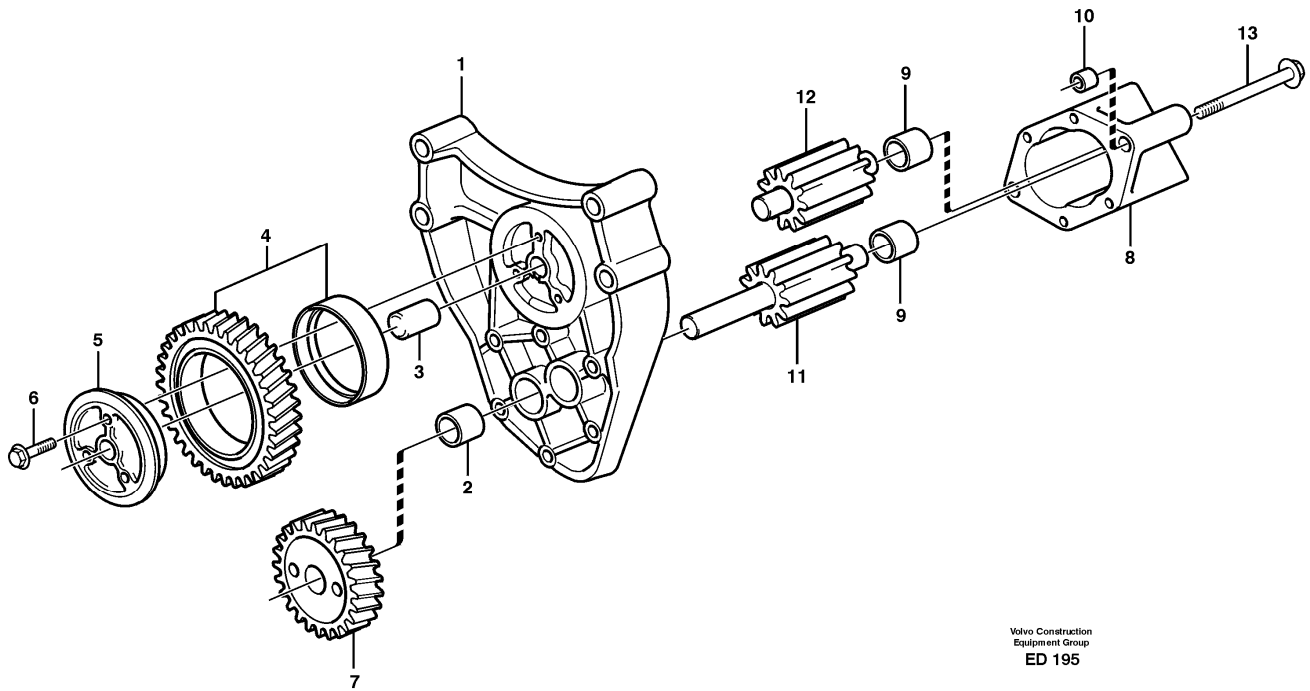
Date: 2014/2/18	Image id: ED196	Catalogue: 97811	Model: L90D
Brand: Volvo	Serial: 17001-17685, 64001-64937, 70501-70730	Group/Section: 221/100	Title: Lubricating oil system



Pos	Part	Q1	Q2	Q3	Q4	Q5	PS	Kit	Description	Option(s)	Remark
1		1							Oil pump		See ref 221/150
2	VOE471513	4							Screw		M10 x 70 MM
3	VOE471734	2							Screw		M8 x 70 MM
4	VOE11030734	1							Suction pipe		
5	VOE470383	1							Sealing ring		
6	VOE13965183	2							Flange screw		
7	VOE11030720	1							Bracket		
8	VOE11032801	1							Baffle plate		
9	VOE946440	2							Flange screw		
10	VOE946036	2							Lock nut		
11	VOE11030722	1							Clamp		
12	VOE13946544	2							Screw		

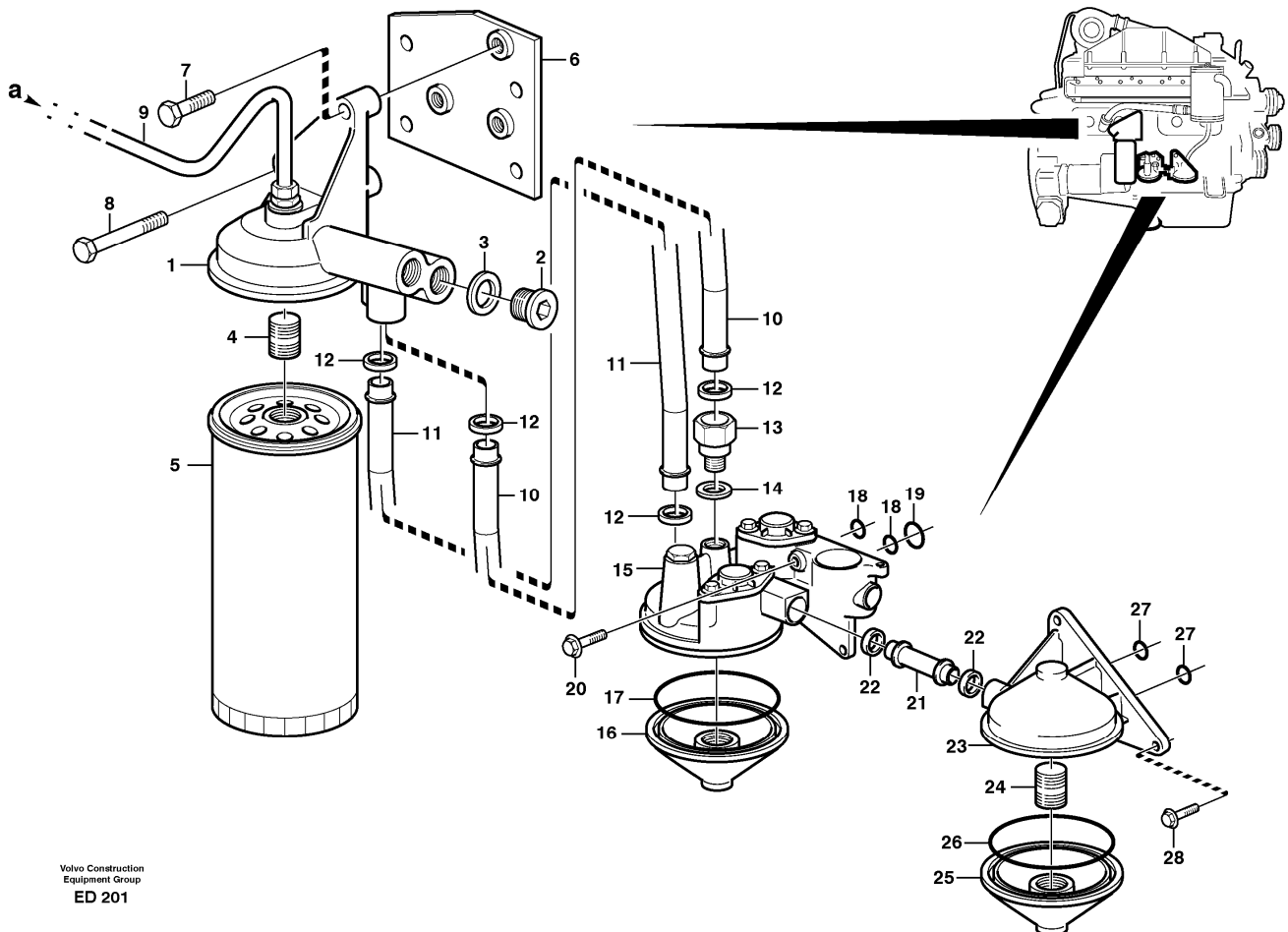
13	VOE11030718	1							Bracket		
14	VOE946440	4							Flange screw		
15	VOE465846	1							Sleeve		
16	VOE470383	1							Sealing ring		
17	VOE968553	2							Flange screw		
18	VOE420994	1							Oil feed pipe		
		1					NS		•Tube assembly		
19	VOE471595	1							•Connector		
20	VOE980786	1							•Fitting		
21	VOE471588	1							Connector		
22	VOE980786	1							Fitting		
23	VOE1545433	1							Clamp		
24	VOE946440	1							Flange screw		
25	VOE13955894	1							Washer		
26	VOE13945408	1							Nut		
27	VOE420996	1							Oil feed pipe		
		1					NS		•Tube assembly		
28	VOE471595	1							•Connector		
29	VOE980786	1							•Fitting		
30	VOE471746	1							•Clamp		
31	VOE946440	1							Flange screw		
32	VOE477437	6							Nozzle		
33	VOE466874	6							Sealing ring		
34	VOE471596	6							Stud		
35	VOE13948570	6							Lock nut		

Date: 2014/2/18	Image id: ED195	Catalogue: 97811	Model: L90D
Brand: Volvo	Serial: 17001-17685, 64001-64937, 70501-70730	Group/Section: 221/150	Title: Oil pump



Pos	Part	Q1	Q2	Q3	Q4	Q5	PS	Kit	Description	Option(s)	Remark
	VOE477547	1							Oil pump		
1	VOE471571	1							•Bracket		
2	VOE470347	2						K	••Bushing		
3	VOE191171	1							•Pin		
4	VOE471942	1							•Drive Gear		
	VOE471943	1					NS		••Idler gear		
	VOE471585	1					NS		••Bearing ring		
5	VOE420048	1							•Bearing sleeve		
6	VOE471586	1							•Screw		
7	VOE471941	1							•Drive Gear		
8	VOE471727	1					NS		•Oil pump housing		
9	VOE470347	2						K	••Bushing		
10	VOE401146	2							••Guide sleeve		
11	VOE477548	1					NS	K	•Drive shaft		
12	VOE477549	1					NS	K	•Idler shaft		
13	VOE13965218	2							•Screw		
	VOE276152	1							Repair kit		

Date: 2014/2/18	Image id: ED201	Catalogue: 97811	Model: L90D
Brand: Volvo	Serial: 17001-17685, 64001-64937, 70501-70730	Group/Section: 222/100	Title: Oil filter

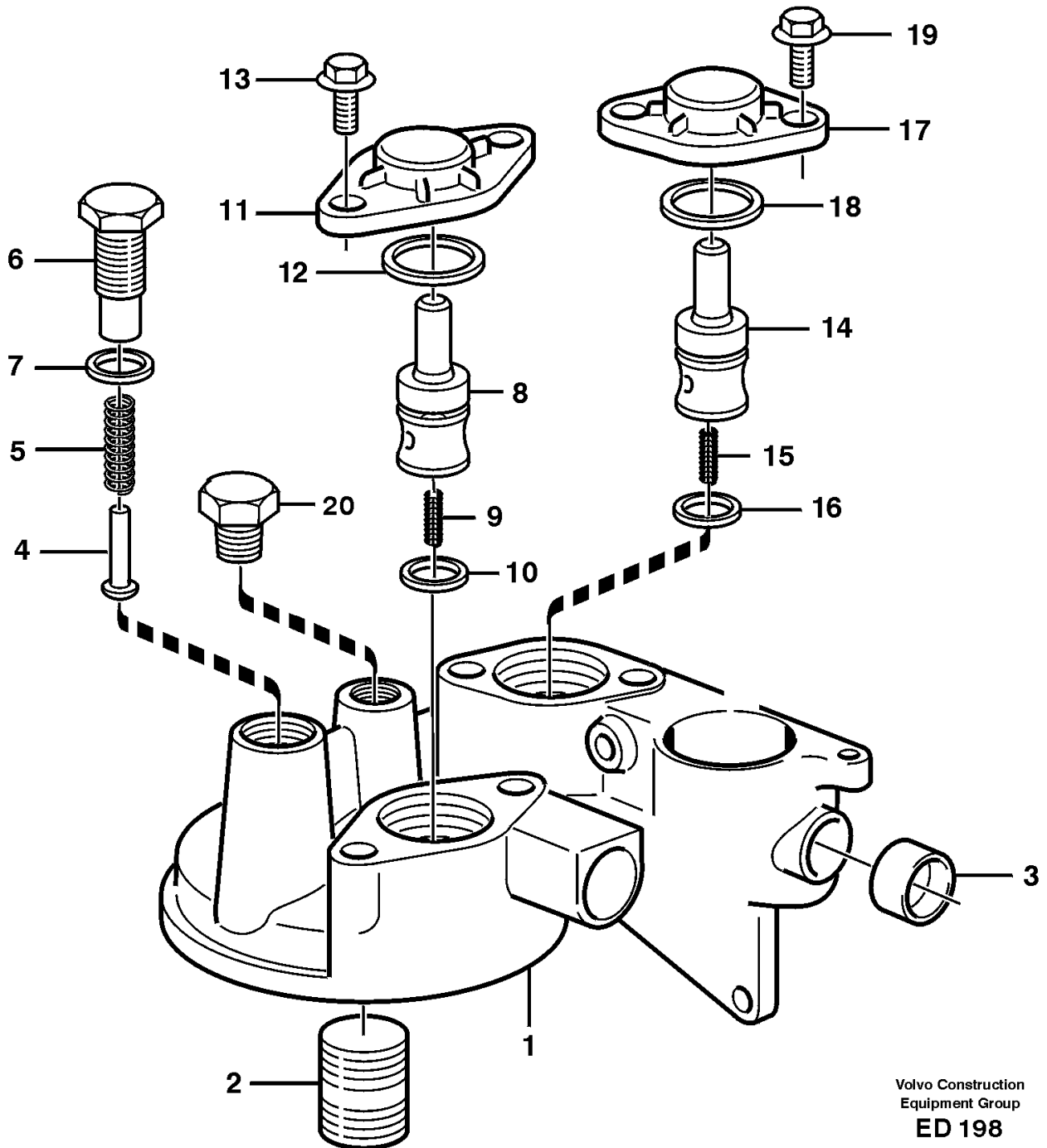


Volvo Construction
Equipment Group
ED 201

Pos	Part	Q1	Q2	Q3	Q4	Q5	PS	Kit	Description	Option(s)	Remark
1	VOE11030594	1							Housing		
2	VOE13966145	2							Plug		
3	VOE13947627	2							Plane gasket		
4	VOE466623	1							Nipple		
5	VOE466634	1							Oil filter		
	VOE478736	1							Oil Filter		Long life filter
6	VOE11030605	1							Bracket		
7	VOE940132	2							Hexagon screw		L = 35 MM
8	VOE955306	1							Hexagon screw		L = 80 MM
9		1							Oil feed pipe		See ref 255/100
10	VOE11030617	1							Pipe		
11	VOE11030616	1							Pipe		

12	VOE471956	4							Sealing ring		
13	VOE11030597	1							Nipple		
14	VOE13947625	1							Plane gasket		
15		1							Housing		See ref 222/150
16	VOE3812509	1							Casing		(VOE848431)
17	VOE13948981	1							O-ring		
18	VOE13949656	2							O-ring		
19	VOE13949722	1							O-ring		
20	VOE946329	2							Flange screw		L = 25 MM
	VOE13965222	1							Screw		L = 65 MM
21	VOE465857	1							Tube		
22	VOE471956	2							Sealing ring		
23	VOE471601	1							Bracket		
24	VOE469904	1							Nipple		
25	VOE3812509	1							Casing		(VOE848431)
26	VOE13948981	1							O-ring		
27	VOE13949656	2							O-ring		
28	VOE946329	3							Flange screw		

Date: 2014/2/18	Image id: ED198	Catalogue: 97811	Model: L90D
Brand: Volvo	Serial: 17001-17685, 64001-64937, 70501-70730	Group/Section: 222/150	Title: Oil filter

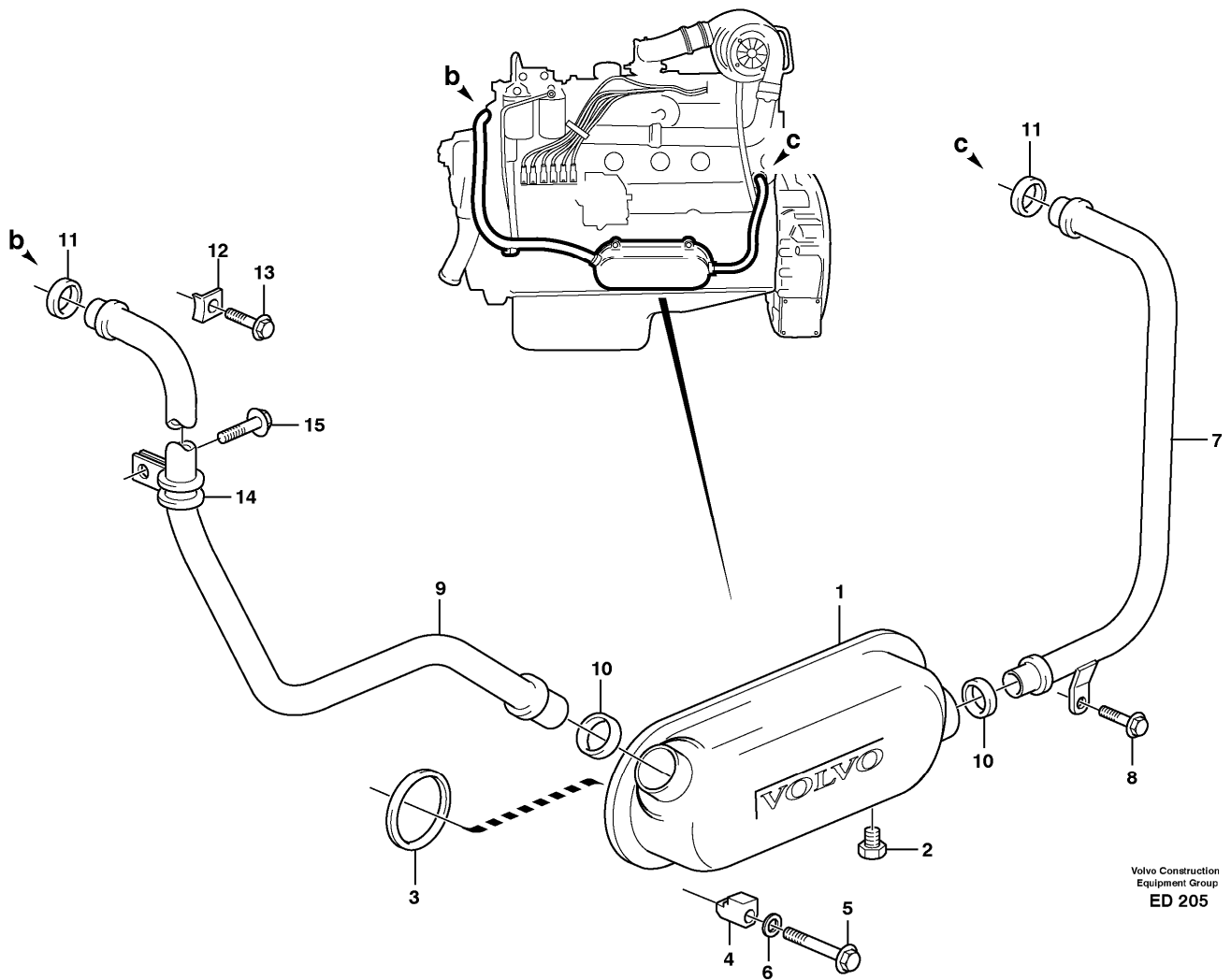


Volvo Construction
Equipment Group
ED 198

Pos	Part	Q1	Q2	Q3	Q4	Q5	PS	Kit	Description	Option(s)	Remark
-----	------	----	----	----	----	----	----	-----	-------------	-----------	--------

	VOE11030601	1							Housing		
1	VOE11030600	1					NS		•Housing		
2	VOE11030599	1							••Nipple		
3	VOE13948811	1							••Cap plug		
4	VOE471085	1							•Valve cone		
5	VOE466653	1							•Compression spring		
6	VOE471598	1							•Plug		
7	VOE13947627	1							•Plane gasket		
8	VOE471646	1							•Piston cooling valve		
9	VOE471775	1							••Compression spring		
10	VOE469846	1							•Sealing ring		
11	VOE471648	1							•Cover		
12	VOE949659	1							•O-ring		
13	VOE13946544	2							•Screw		
14	VOE471706	1							•Reduction valve		
15	VOE469332	1							••Compression spring		
16	VOE469846	1							•Sealing ring		
17	VOE471648	1							•Cover		
18	VOE949659	1							•O-ring		
19	VOE13946544	2							•Screw		
20	VOE479979	1							•Plug		

Date: 2014/2/18	Image id: ED205	Catalogue: 97811	Model: L90D
Brand: Volvo	Serial: 17001-17685, 64001-64937, 70501-70730	Group/Section: 223/100	Title: Oil cooler with hoses



Pos	Part	Q1	Q2	Q3	Q4	Q5	PS	Kit	Description	Option(s)	Remark
1	VOE1661254	1							Oil Cooler		
2	VOE180759	1							•Plugg		
3	VOE471467	2							Sealing ring		
4	VOE471804	4							Retainer		
5	VOE13965186	2							Flange screw		L = 50 MM
	VOE965221	2							Flange screw		(VOE13965221)L = 55 MM
6	VOE941908	4							Spring Washer		
7	VOE848467	1							Coolant Pipe		

Thank you so much for reading.
Please click the “Buy Now!”
button below to download the
complete manual.



After you pay.

You can download the most
perfect and complete manual in
the world immediately.

Our support email:

ebooklibonline@outlook.com