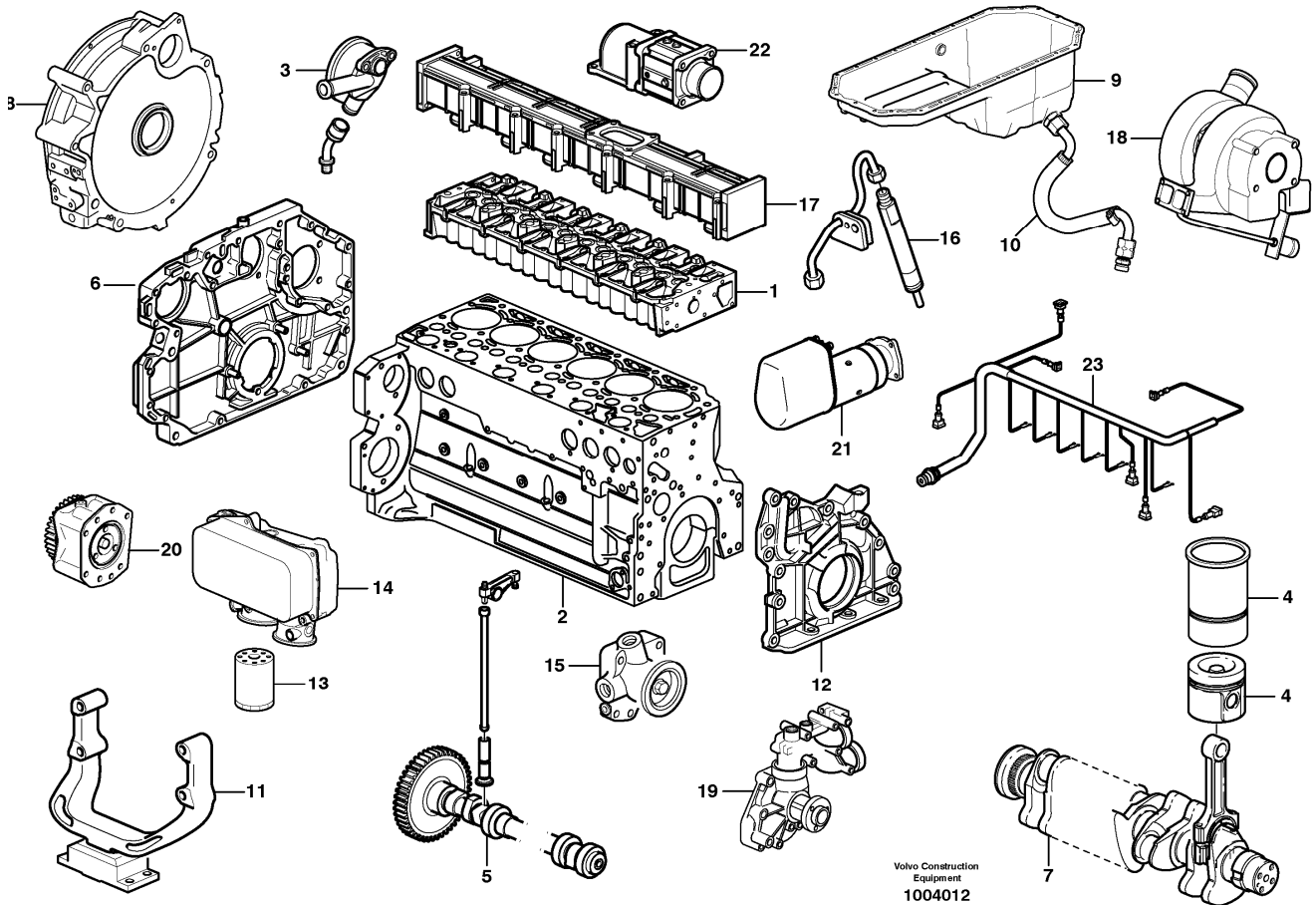


Date: <b>2014/2/19</b>	Image id: <b>1004012</b>	Catalogue: <b>20007</b>	Model: <b>L90E OR</b>
Brand: <b>Volvo</b>	Serial: <b>20005-80000</b>	Group/Section: <b>210/100</b>	Title: <b>Engine</b>

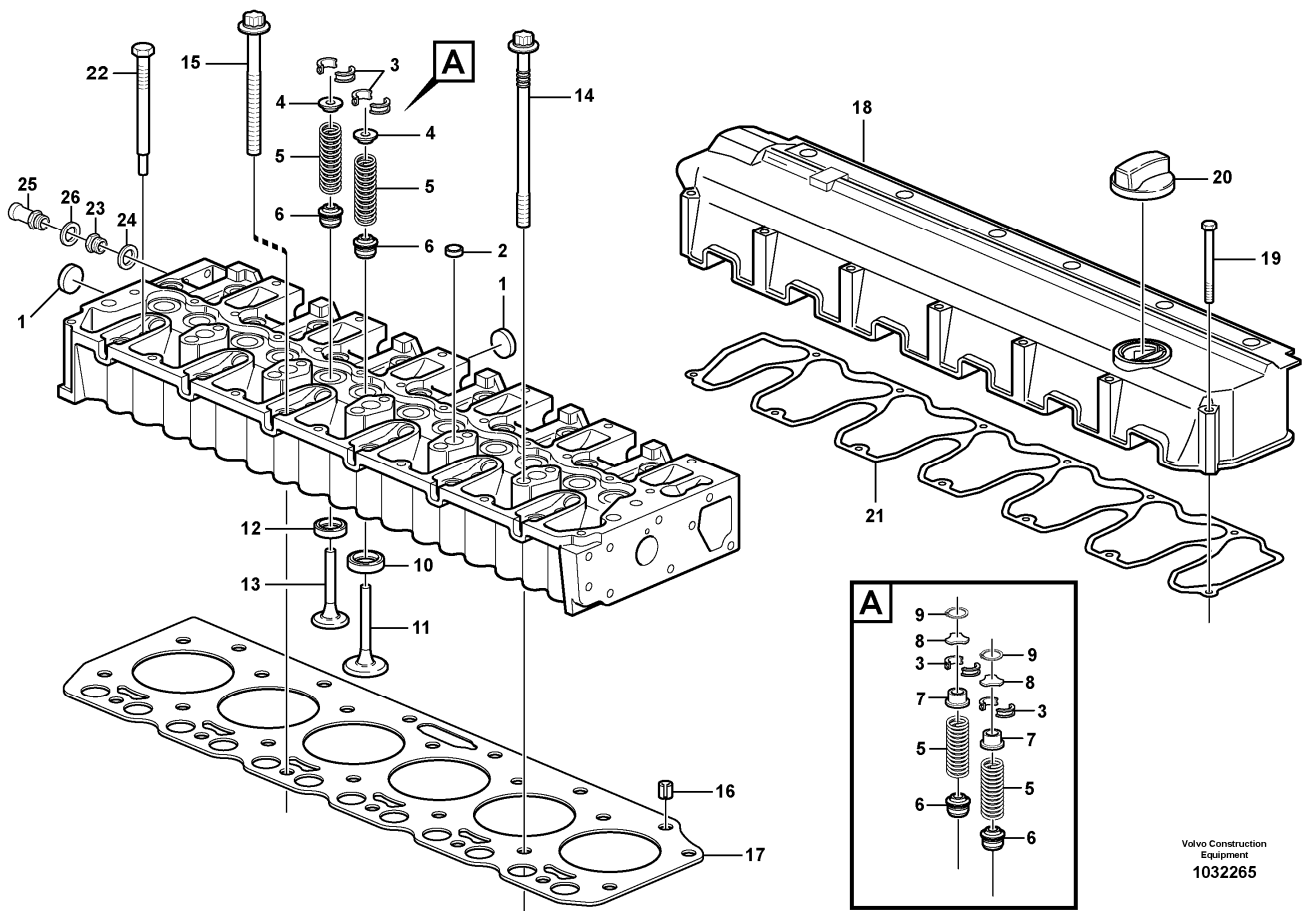


Section option	Kit	Option description
VOE11172408		Engine VOLVO D6D LAE2

Pos	Part	Q1	Q2	Q3	Q4	Q5	PS	Kit	Description	Option(s)	Remark
	VOE11172408	1							Engine		D6DLAE2
1		1							•Cylinder head		See ref 211/100
2		1							•Cylinder block		See ref 212/100
3		1							•Crankcase ventilation		See ref 212/150
4		6							•Cylinder Liner And Piston		See ref 213/100
5		1							•Valve mechanism		See ref 214/100
6		1							•Timing gear casing		See ref 215/100
7		1							•Crankshaft		See ref 216/100
8		1							•Flywheel housing		See ref 216/150
9		1							•Oil sump		See ref 217/100
10		1							•Oil Draining		See ref 217/150

11		1							Engine suspension		NOT INCLUDED See ref 218/100
12		1							•Lubricating system		See ref 221/100
13		1							•Oil filter		See ref 223/100
14		1							•Oil cooler		See ref 223/100
15		1							•Fuel pump		See ref 233/100
16		1							•Fuel pipes		See ref 237/100
17		1							•Inlet manifold		See ref 251/100
18		1							•Turbocharger		See ref 255/100
19		1							•Coolant Pump		See ref 262/100
20		1							•Pump Drive Power Take-off		See ref 263/100
21		1							•Starter motor		See ref 331/100
22		1							•Pre-heater With Fitting P		See ref 333/200
23		1							•Cable Harness, Engine		See ref 371/150

Date: <b>2014/2/20</b>	Image id: <b>1032265</b>	Catalogue: <b>20007</b>	Model: <b>L90E OR</b>
Brand: <b>Volvo</b>	Serial: <b>20005-80000</b>	Group/Section: <b>211/100</b>	Title: <b>Cylinder head</b>



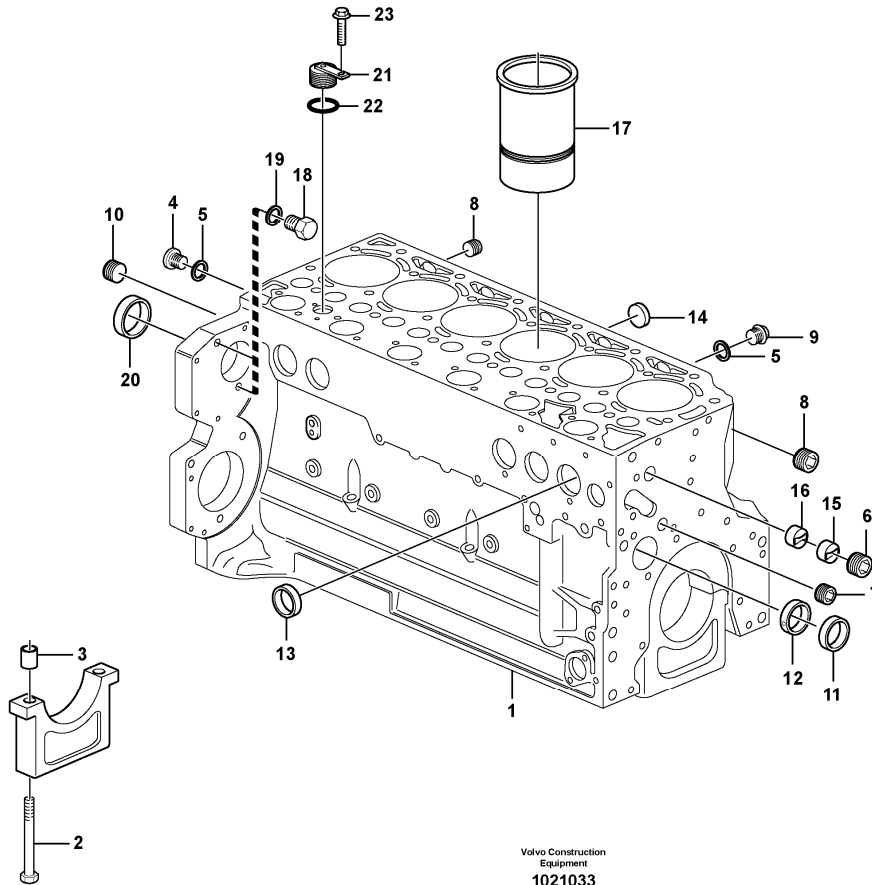
Volvo Construction  
Equipment  
1032265

Section option	Kit	Option description
VOE11172408		Engine VOLVO D6D LAE2

Pos	Part	Q1	Q2	Q3	Q4	Q5	PS	Kit	Description	Option(s)	Remark
	VOE20747867	1							Cylinder head		(VOE20498711)ENG - 01031803
	VOE20747867	1							Cylinder head		ENG 1031804 - 2006/01
	VOE21055823	1							Cylinder head		ENG 2006/02 -
1	VOE20412745	5							•Core plug		
2	VOE20412733	5							•Core plug		
3	VOE20459857	24							•Valve sleeve		
4	VOE20535037	12							•Washer		ENG - 2006/01
5	VOE20459851	12							•Valve spring		
6	VOE20459855	12							•Valve seal		
7	VOE20840747	12							•Spring Disc		ENG 2006/02 -

8	VOE20840807	12							•Thrust Washer		
9	VOE20840772	12							•Snap Ring		
10	VOE20459852	6							•Valve seat		
11	VOE20482741	6							•Inlet valve		(VOE20791517)ENG - 2006/01
11	VOE21026535	6							•Inlet valve		ENG 2006/02 -
12	VOE20459854	6							•Valve seat		
13	VOE20482742	6							•Exhaust valve		(VOE20459861)ENG - 2006/01
13	VOE21026536	6							•Exhaust Valve		ENG 2006/02 -
14	VOE20459837	7							Bolt		
15	VOE20459838	19							Bolt		
16	VOE20459839	2							Bushing		
17	VOE20795927	1							Cylinder Gasket	Head	(VOE24426690)1,27 MM
17	VOE20795944	1							Cylinder Gasket	Head	(VOE24426691)1,37 MM
17	VOE20795952	1							Cylinder Gasket	Head	(VOE24426692)1,47 MM
18	VOE20558880	1							Valve Cover		(VOE20459829)ENG - 620552
18	VOE20459831	1					SS		Valve cover		ENG 620553 - 859316
18	VOE20558810	1							Valve Cover		ENG 859317 -
19	VOE20459830	13							Screw		
20	VOE20412589	1							Filler cap		
21	VOE20459828	1							Gasket		ENG - 859316
21	VOE20558929	1							Gasket		ENG 859317 -
22	VOE20405895	6							Plug		
23	VOE20516927	1							Sealing ring		
24	VOE13969011	1							Gasket		
25	VOE20483764	1							Nipple		
26	VOE13947281	1							Gasket		

Date: <b>2014/2/20</b>	Image id: <b>1021033</b>	Catalogue: <b>20007</b>	Model: <b>L90E OR</b>
Brand: <b>Volvo</b>	Serial: <b>20005-80000</b>	Group/Section: <b>212/100</b>	Title: <b>Cylinder block</b>

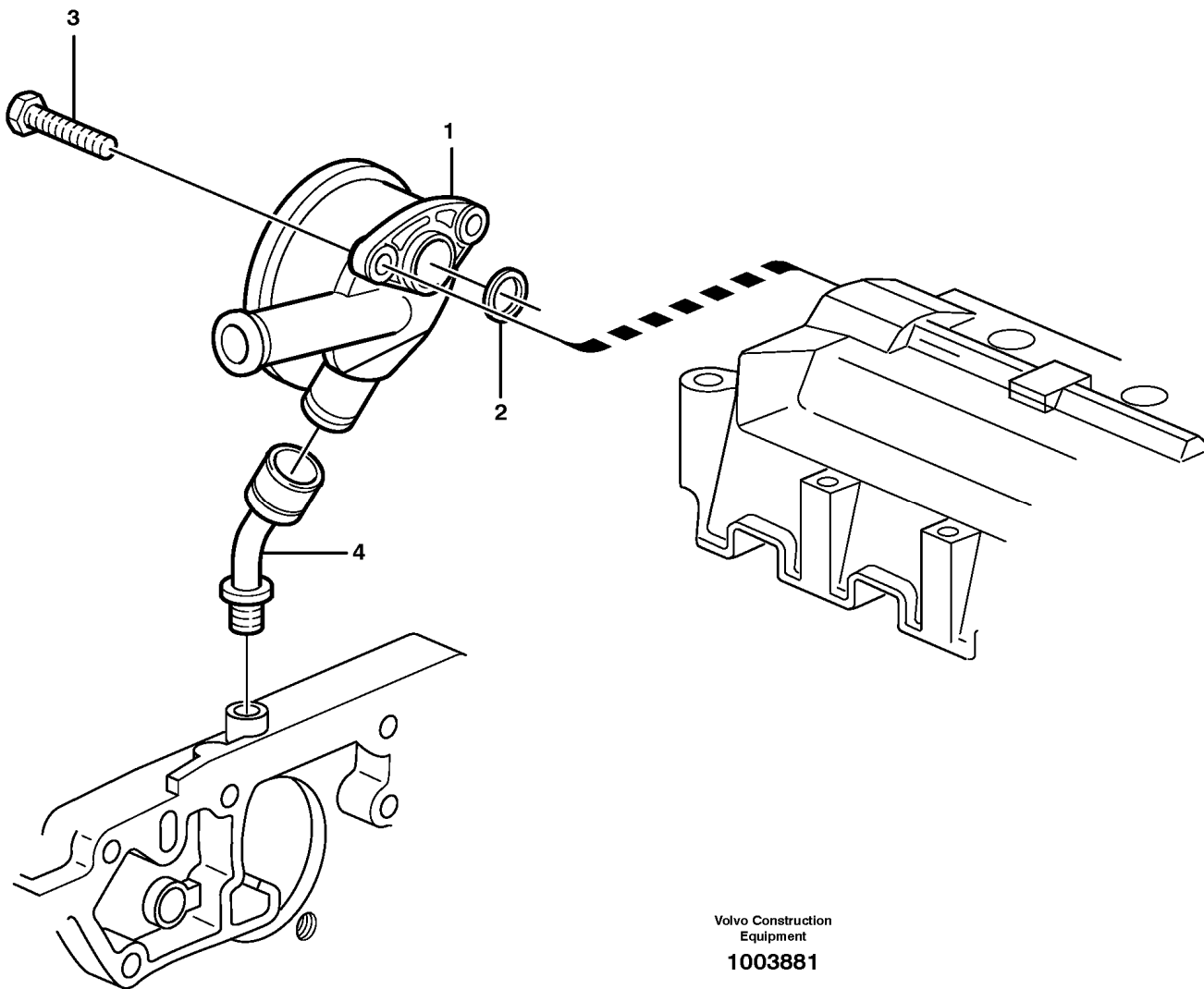


Section option	Kit	Option description
VOE11172408		Engine VOLVO D6D LAE2

Pos	Part	Q1	Q2	Q3	Q4	Q5	PS	Kit	Description	Option(s)	Remark
1	VOE20533309	1					SS		Cylinder Block		ENG - 01060658
1	VOE20785815	1					SS		Cylinder Block		ENG 01060659 - 01099383
1	VOE21009708	1							Crankcase		ENG 01099384 -
2	VOE20460006	14							•Screw		ENG - 01099383
3	VOE20460001	14							•Bushing		ENG - 01099383
4	VOE945065	1							•Plug		
5	VOE13969011	3							•Gasket		
6	VOE20405717	1							•Plug		
7	VOE20405719	1							•Plug		ENG - 01099383
8	VOE20508600	2							•Plug		
9	VOE20405716	2							•Plug		

10	VOE20785813	1							•Plug		
11	VOE20459999	6							•Camshaft bushing		
12	VOE20459998	1							•Camshaft bushing		
13	VOE20405721	9							•Core plug		
14	VOE20412745	6							•Core plug		(VOE20450767)
15	VOE20405584	1							•Guide sleeve		
16	VOE20405906	1							•Guide sleeve		
17		6							•Cylinder Liner		NO PISTONS ETC. See ref 213/100
18	VOE20441859	2							Plug		(VOE20532680)
19	VOE13947281	2							Gasket		
20	VOE20450778	1							Core plug		
21	VOE20702078	1							Plug		ENG - 01047118
	VOE20758137	1							Plug		ENG 01047119 -
22	VOE20405728	1							•Sealing ring		
23	VOE20711881	1							Screw		

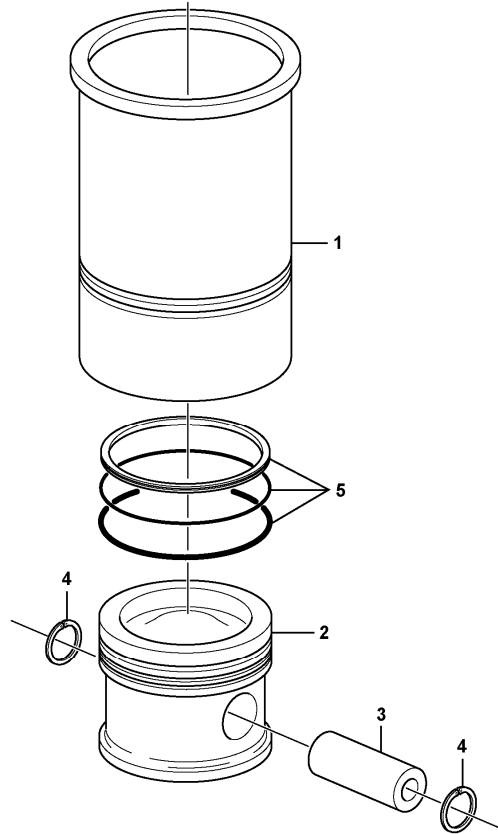
Date: <b>2014/2/20</b>	Image id: <b>1003881</b>	Catalogue: <b>20007</b>	Model: <b>L90E OR</b>
Brand: <b>Volvo</b>	Serial: <b>20005-80000</b>	Group/Section: <b>212/150</b>	Title: <b>Crankcase ventilation</b>



Section option	Kit	Option description
VOE11172408		Engine VOLVO D6D LAE2

Pos	Part	Q1	Q2	Q3	Q4	Q5	PS	Kit	Description	Option(s)	Remark
1	VOE20459252	1					SS		Press Regulator		
2	VOE20405627	1							Gasket		
3	VOE20450728	2							Bolt		(VOE20497047)
4	VOE20405938	1							Connector		

Date: <b>2014/2/20</b>	Image id: <b>1024633</b>	Catalogue: <b>20007</b>	Model: <b>L90E OR</b>
Brand: <b>Volvo</b>	Serial: <b>20005-80000</b>	Group/Section: <b>213/100</b>	Title: <b>Cylinder liner and piston</b>



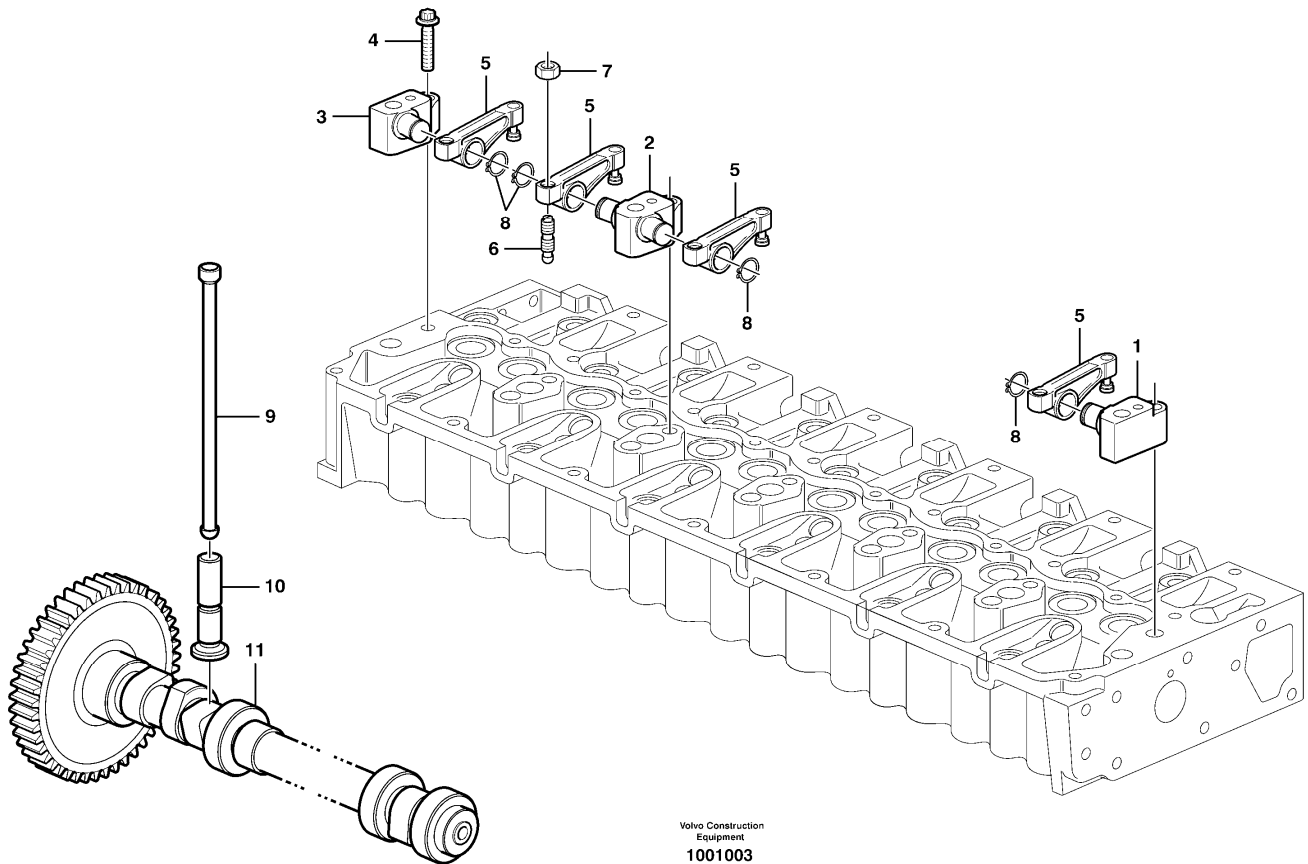
Volvo Construction  
Equipment  
1024633

Section option	Kit	Option description
VOE11172408		Engine VOLVO D6D LAE2

Pos	Part	Q1	Q2	Q3	Q4	Q5	PS	Kit	Description	Option(s)	Remark
1	VOE20854651	6							Cyl Liner Kit		ENG - 01060666
1	VOE20854654	6							Cyl Liner Kit		ENG 01060667 -
2		6					NS		•Piston		
3	VOE20460009	6							••Gudgeon pin		
4	VOE21159226	12							••Retaining ring		(VOE20460010)
5	VOE20460011	6							••Piston ring kit		



Date: <b>2014/2/20</b>	Image id: <b>1001003</b>	Catalogue: <b>20007</b>	Model: <b>L90E OR</b>
Brand: <b>Volvo</b>	Serial: <b>20005-80000</b>	Group/Section: <b>214/100</b>	Title: <b>Valve mechanism</b>

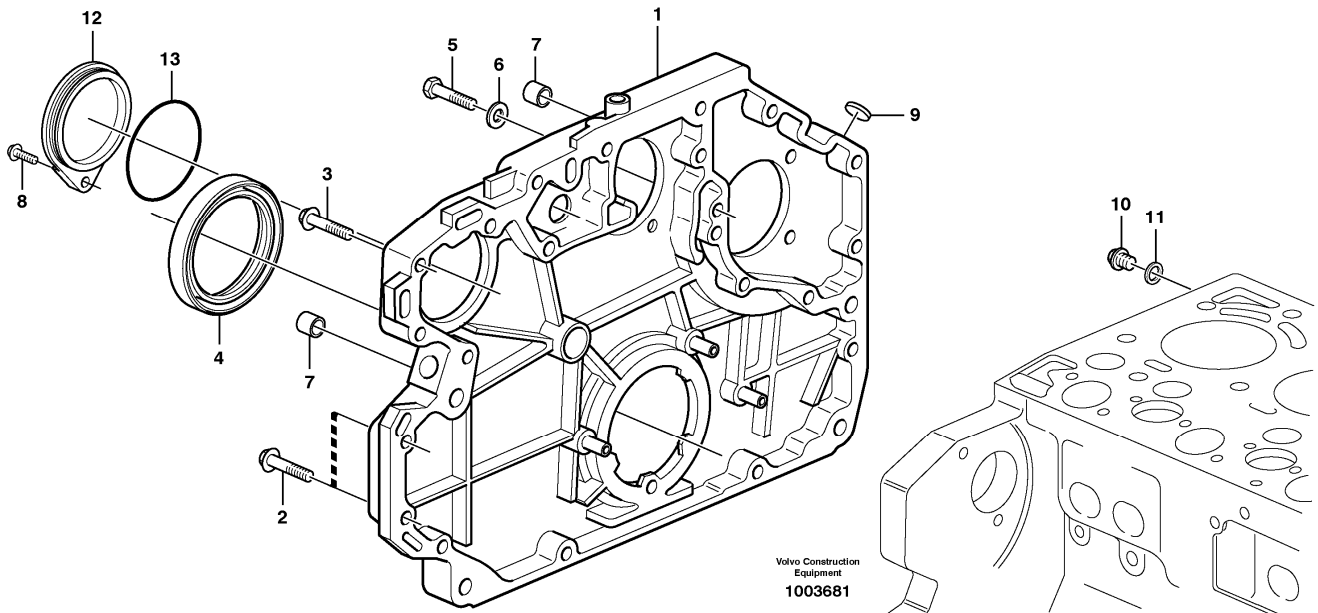


Section option	Kit	Option description
VOE11172408		Engine VOLVO D6D LAE2

Pos	Part	Q1	Q2	Q3	Q4	Q5	PS	Kit	Description	Option(s)	Remark
1	VOE20459848	1							Bracket		
2	VOE20459847	5							Bracket		
3	VOE20459849	1							Bracket		
4	VOE20459853	7							Screw		
5	VOE20459850	12							Rocker arm		ENG - 2006/01
5	VOE21448926	12							Rocker arm		(VOE20792876)ENG 2006/02 -
6	VOE20405524	12							Screw		ENG - 2007/08
6	VOE20913851	12							Adjusting Screw		ENG 2007/09 -
7	VOE11700373	12							Nut		
8	VOE945495	12							Retaining ring		
9	VOE20460008	12							Push rod		
10	VOE20460007	12							Tappet		

11	VOE20502005	1					SS		Camshaft		ENG - 01099344
11	VOE20973962	1							Camshaft		ENG 01099345 -

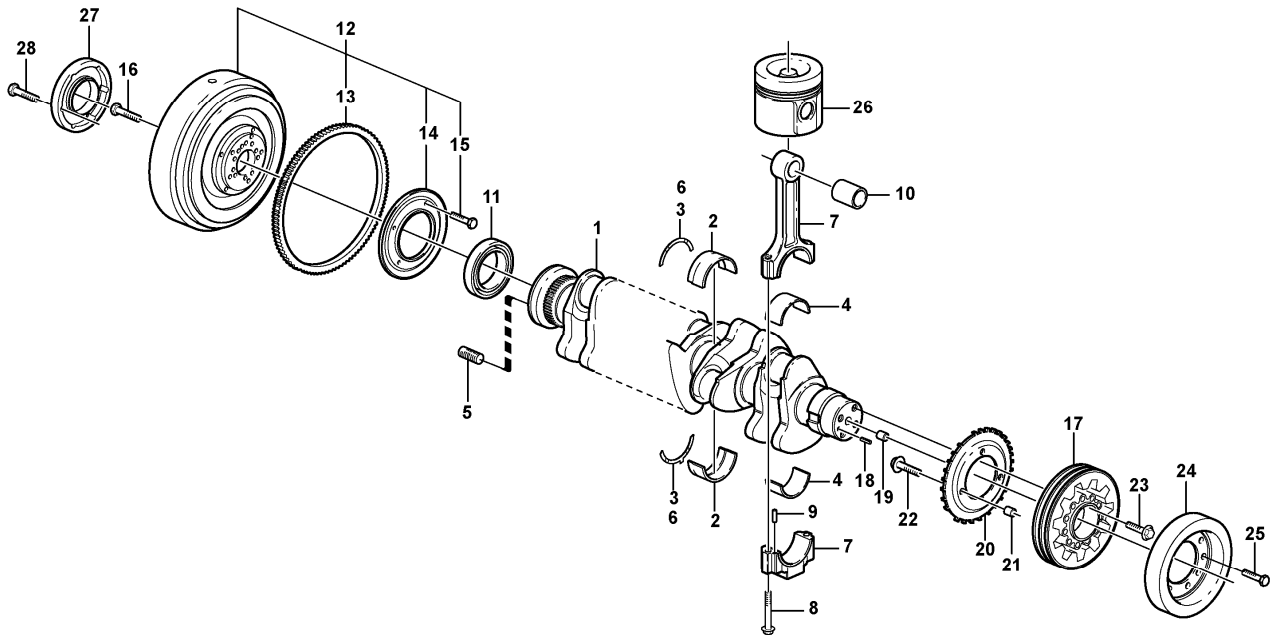
Date: <b>2014/2/20</b>	Image id: <b>1003681</b>	Catalogue: <b>20007</b>	Model: <b>L90E OR</b>
Brand: <b>Volvo</b>	Serial: <b>20005-80000</b>	Group/Section: <b>215/100</b>	Title: <b>Timing gear casing and gears</b>



Section option	Kit	Option description
VOE11172408		Engine VOLVO D6D LAE2

Pos	Part	Q1	Q2	Q3	Q4	Q5	PS	Kit	Description	Option(s)	Remark
1	VOE20918119	1							Tmg Gear Casing		
2	VOE20412324	12							Screw		
3	VOE20450801	3							Screw		
4	VOE20929860	1							Crankshaft Seal		
5	VOE20405653	2					SS		Screw		E PROD
6	VOE13955900	2							Washer		E PROD
7	VOE20405646	2							Bushing		ENG - 920347
7	VOE20585971	2							Bushing		ENG 920348 -
8	VOE20405672	1							Screw		
9	VOE20405605	1							Cover		
10	VOE960630	2							Plug		
11	VOE13947621	2							Plane gasket		
12	VOE20405740	1							Cover		(VOE20459901)
13	VOE20405652	1							Sealing ring		

Date: <b>2014/2/20</b>	Image id: <b>1021714</b>	Catalogue: <b>20007</b>	Model: <b>L90E OR</b>
Brand: <b>Volvo</b>	Serial: <b>20005-80000</b>	Group/Section: <b>216/100</b>	Title: <b>Crankshaft and related parts</b>



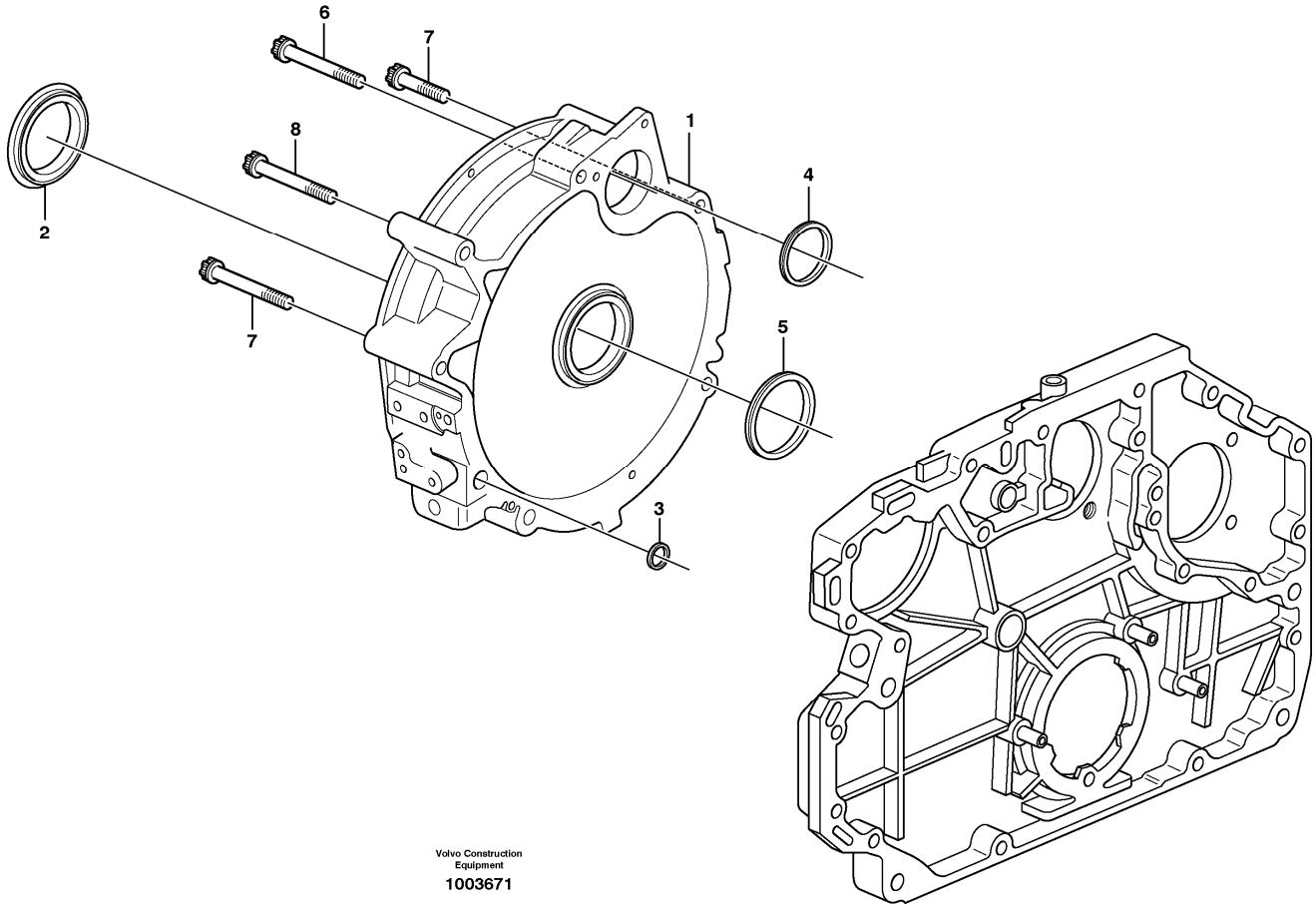
Volvo Construction  
Equipment  
1021714

Section option	Kit	Option description
VOE11172408		Engine VOLVO D6D LAE2

Pos	Part	Q1	Q2	Q3	Q4	Q5	PS	Kit	Description	Option(s)	Remark
1	VOE20459146	1							Crankshaft		ENG - 851836
	VOE20769707	1					SS		Crankshaft		ENG 851837 - 1022790
	VOE21351400	1							Crankshaft		(VOE20785969)ENG 1022791 - 1099383
	VOE21351400	1							Crankshaft		(VOE20892713)ENG 1099384 -
2	VOE20459140	7							Main bearing		STD 84,00 MM
	VOE20459139	7							Main Bearing		U SZ 83,75 MM
3	VOE20459149	REQ							Thrust washer		STD WID 14 MM THICK 2,0 MM
	VOE20459148	REQ							Thrust Washer		WID 14 MM THICK 2,2 MM
4	VOE20555403	6							Bearing		ENG - 695616 STD

											63,00 MM
	VOE20459147	6							Bearing		ENG - 695616 U SZ 62,75 MM
	VOE20480536	6							Bearing		ENG 695617 - STD 63,00 MM
	VOE20522433	6							Bearing		ENG 695617 - U SZ 62,75 MM
5	VOE20459144	1							Insert		
6	VOE20459143	REQ							Washer		STD WID 10 MM THICK 2,00 MM
	VOE20459142	REQ							Thrust Washer		WID 10 MM THICK 2,2 MM
7	VOE20882905	6							Connecting Rod		
8	VOE20459133	12							•Bolt		
9	VOE20459134	12							•Pin		
10	VOE20523284	6							•Bushing		
11		1							Crankshaft Seal		See ref 215/100
12	VOE20459127	1					SS		Flywheel		ENG - 876577
	VOE20917910	1							Flywheel		ENG 876578 -
13	VOE20450830	1							•Gear		(VOE11700320)
14	VOE20450832	1							•Labyrinth ring		(VOE11700321)
15	VOE20450834	4							•Screw		(VOE11700322)
16	VOE20450835	10							Screw		(VOE11700307)
17	VOE20516985	1							Pulley		
18	VOE20450628	1							Pin		
19	VOE20405634	1							Spring pin		
20	VOE20459157	1							Lock washer		
21	VOE20450838	1							Pin		
22	VOE888289	3							Hexagon screw		
23	VOE20405724	4							Screw		
24	VOE20585446	1							Vibration damper		
25	VOE888289	9							Hexagon screw		
26		6							Piston		See ref 213/100
27	VOE20460793	1							Flange		
28	VOE20459126	5							Screw		

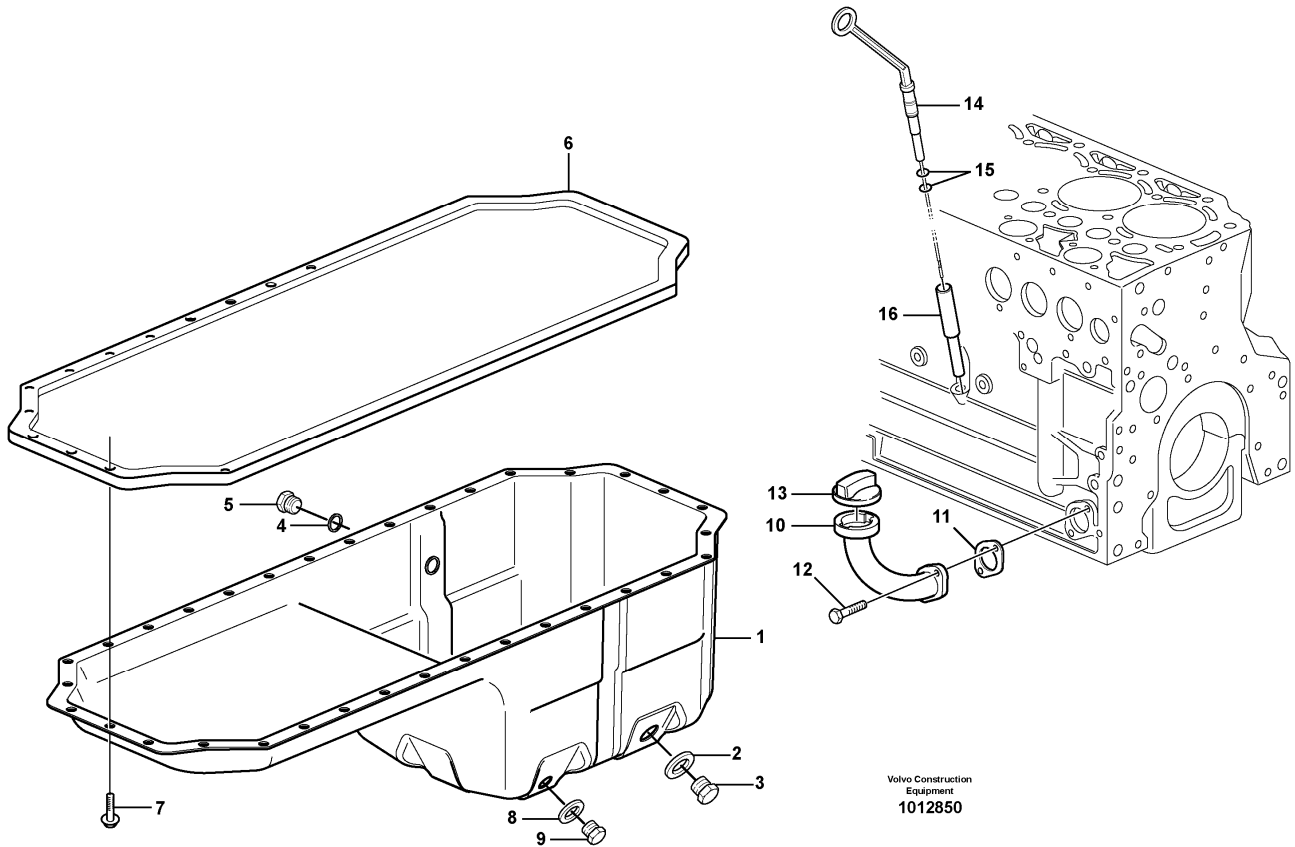
Date: <b>2014/2/20</b>	Image id: <b>1003671</b>	Catalogue: <b>20007</b>	Model: <b>L90E OR</b>
Brand: <b>Volvo</b>	Serial: <b>20005-80000</b>	Group/Section: <b>216/150</b>	Title: <b>Flywheel housing</b>



Section option	Kit	Option description
VOE11172408		Engine VOLVO D6D LAE2

Pos	Part	Q1	Q2	Q3	Q4	Q5	PS	Kit	Description	Option(s)	Remark
1	VOE20459988	1							Flywheel housing		
2	VOE20450784	1							•Labyrinth ring		(VOE11700592)
3	VOE20459993	4							O-ring		
4	VOE20459994	1							Sealing ring		
5	VOE20450786	1							Sealing ring		(VOE11700599)
6	VOE20459991	3							Screw		
7	VOE20460931	2							Screw		
8	VOE20459995	4							Screw		

Date: <b>2014/2/20</b>	Image id: <b>1012850</b>	Catalogue: <b>20007</b>	Model: <b>L90E OR</b>
Brand: <b>Volvo</b>	Serial: <b>20005-80000</b>	Group/Section: <b>217/100</b>	Title: <b>Oil sump</b>



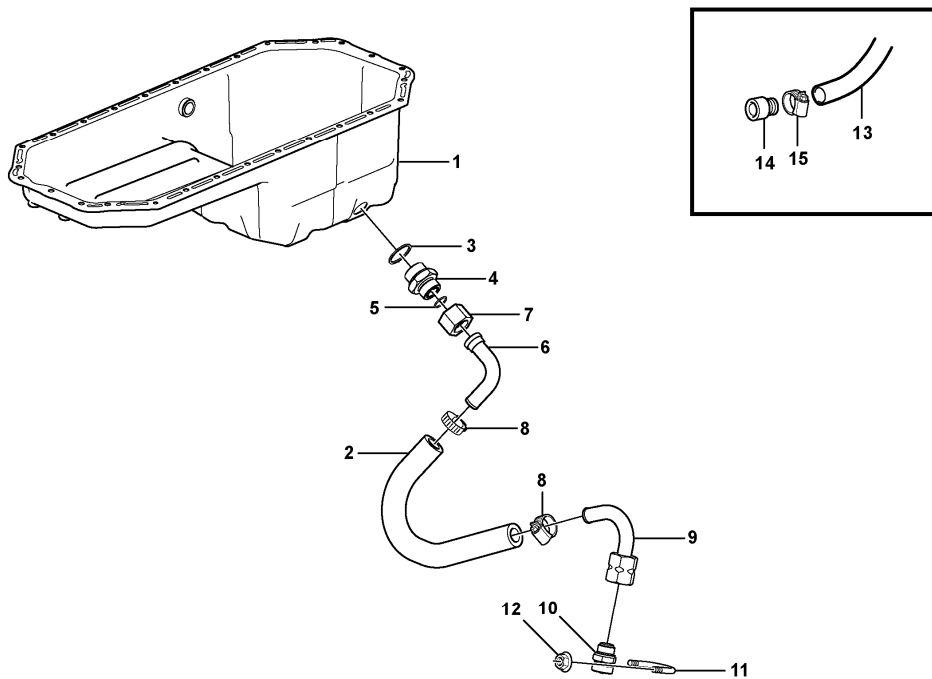
Section option	Kit	Option description
VOE11172408		Engine VOLVO D6D LAE2

Pos	Part	Q1	Q2	Q3	Q4	Q5	PS	Kit	Description	Option(s)	Remark
1	VOE20839076	1							Oil Pan		(VOE21109768)
2	VOE20496256	1							•Gasket		
3	VOE20496257	1							•Plug		
4	VOE20460026	1							•Sealing ring		
5	VOE20460024	1							•Plug		
6	VOE20460022	1							Gasket		
7	VOE20405792	28							Screw		
8	VOE11700303	1					SS		Seal		(VOE7011998)
9	VOE20405506	1							Plug		
10	VOE20977060	1							Tube		
11	VOE20405825	1							Gasket		
12	VOE20405885	2							Screw		

13	VOE20405835	1							Cap		
14	VOE20564005	1							Dipstick		
15	VOE20412343	2							•Sealing ring		
16	VOE20459164	1							Guide tube		



Date: <b>2014/2/20</b>	Image id: <b>1019351</b>	Catalogue: <b>20007</b>	Model: <b>L90E OR</b>
Brand: <b>Volvo</b>	Serial: <b>20005-80000</b>	Group/Section: <b>217/150</b>	Title: <b>Drain line, oil sump STD, OPEN ROPS</b>



Volvo Construction  
Equipment  
1019351

Section option	Kit	Option description
VOE33278		Wheel Loader
VOE33286		Wheel loader L90E OPEN ROPS

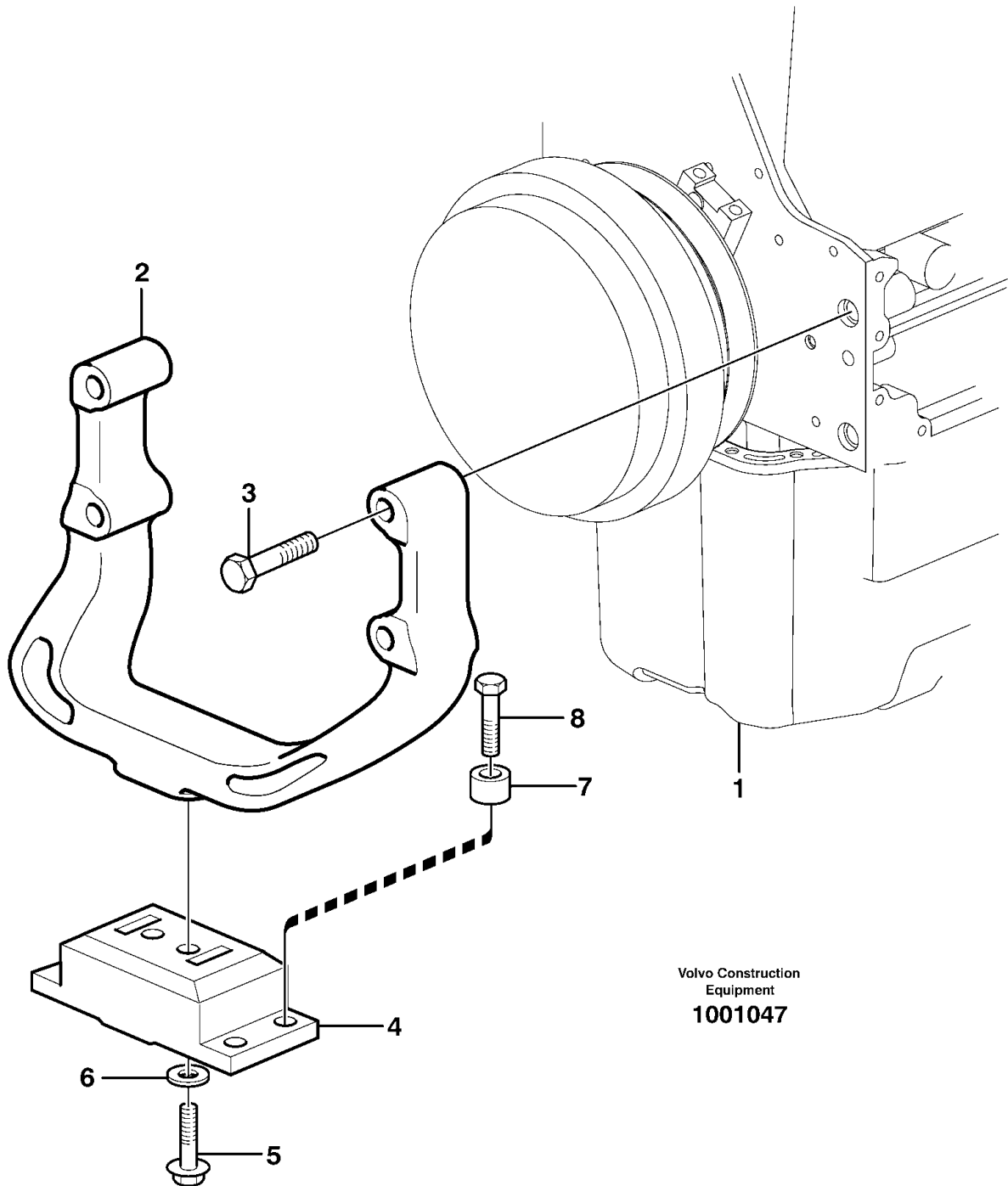
Pos	Part	Q1	Q2	Q3	Q4	Q5	PS	Kit	Description	Option(s)	Remark
1		1							Oil Pan		See ref 217/100
2	VOE990769	REQ					SE		Hose		L = 490 MM
3	VOE13947630	1							Gasket		
4	VOE11163064	1							Nipple		
5	VOE981289	1							O-ring		
6	VOE11410190	1							Drain tube		
7	VOE13933877	1							Fitting nut		
8	VOE943473	2							Hose clamp		
9	VOE11173508	1							Drain tube		
10	VOE11054692	1							Valve		
11	VOE11130269	1							Clamp		

12	VOE948645	2							Flange lock nut		
13	VOE11154125	1							Hose		
14	VOE11054659	1							Connector		
15	VOE943473	1							Hose clamp		

# VOLVO

## Construction Equipment

Date: <b>2014/2/20</b>	Image id: <b>1001047</b>	Catalogue: <b>20007</b>	Model: <b>L90E OR</b>
Brand: <b>Volvo</b>	Serial: <b>20005-80000</b>	Group/Section: <b>218/100</b>	Title: <b>Engine mounting STD, OPEN ROPS</b>

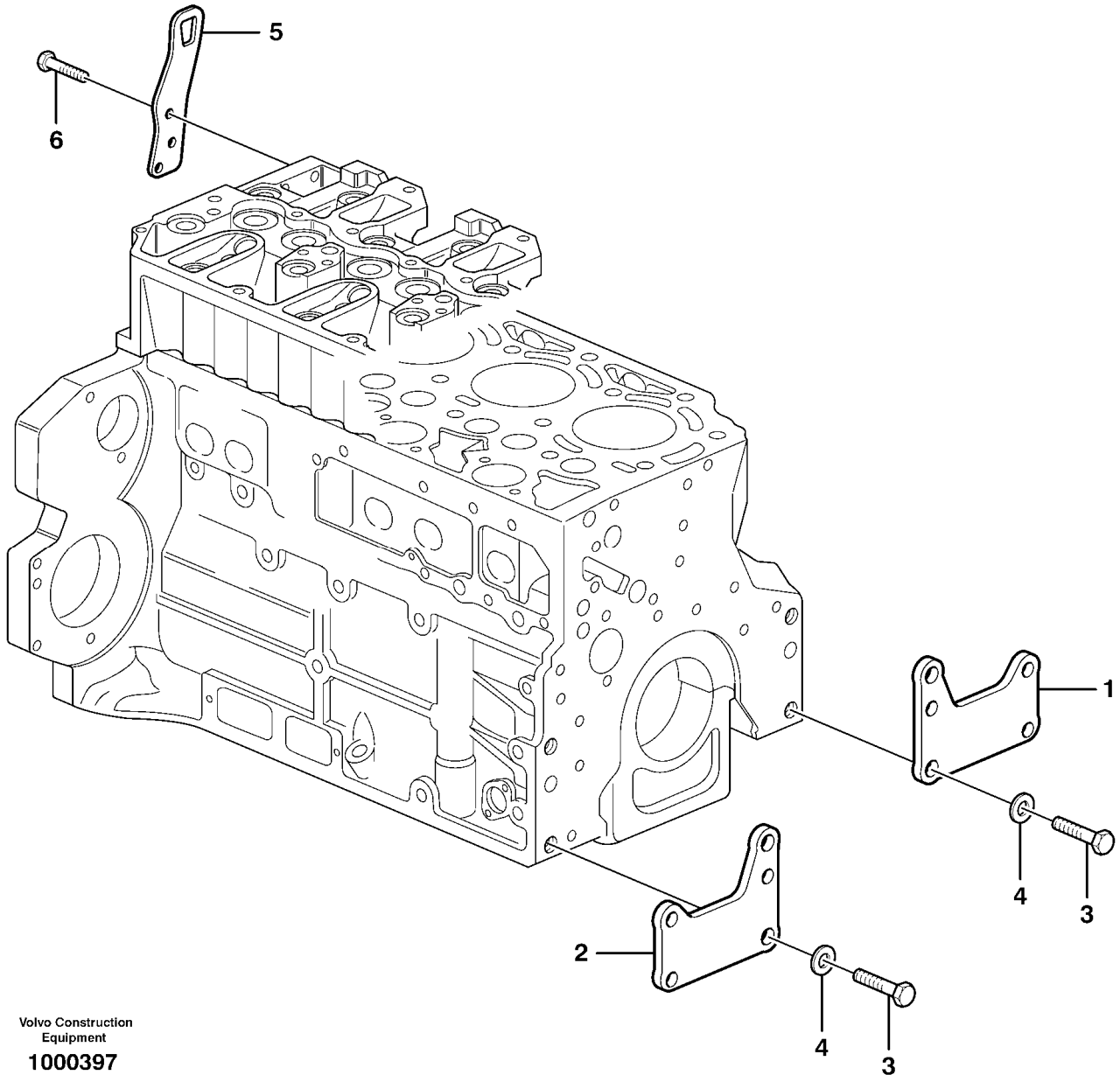


Volvo Construction  
Equipment  
**1001047**

Section option	Kit	Option description
VOE33278		Wheel Loader
VOE33286		Wheel loader L90E OPEN ROPS

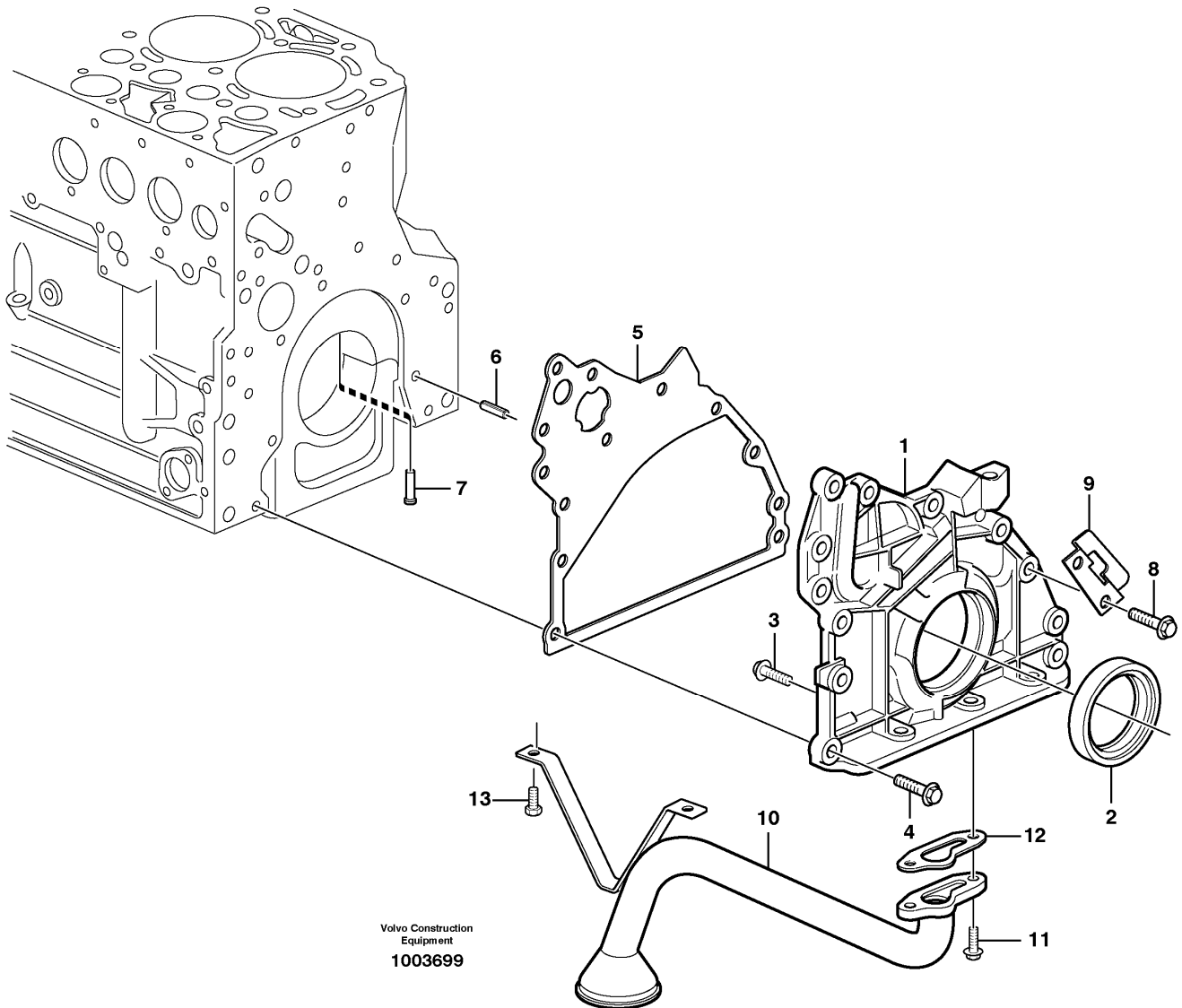
Pos	Part	Q1	Q2	Q3	Q4	Q5	PS	Kit	Description	Option(s)	Remark
1		1							Engine		See ref 210/100
2	VOE11172117	1							Engine anchorage		
3	VOE963320	4							Hexagon screw		
4	VOE20503551	1							Rubber cushion		
5	VOE13966362	2							Flange screw		
6	VOE930844	2							Washer		
7	VOE11025923	4							Spacer		
8	VOE13965193	4							Screw		

Date: <b>2014/2/20</b>	Image id: <b>1000397</b>	Catalogue: <b>20007</b>	Model: <b>L90E OR</b>
Brand: <b>Volvo</b>	Serial: <b>20005-80000</b>	Group/Section: <b>218/150</b>	Title: <b>Engine mounting 11172408</b>



Pos	Part	Q1	Q2	Q3	Q4	Q5	PS	Kit	Description	Option(s)	Remark
1	VOE20723978	1							Bracket		
2	VOE20723984	1							Bracket		
3	VOE20535027	4							Screw		
4	VOE20405606	4							Washer		
5	VOE20450854	2					OP		Lifting eye		
6	VOE20450756	6							Screw		

Date: <b>2014/2/20</b>	Image id: <b>1003699</b>	Catalogue: <b>20007</b>	Model: <b>L90E OR</b>
Brand: <b>Volvo</b>	Serial: <b>20005-80000</b>	Group/Section: <b>221/100</b>	Title: <b>Lubricating oil system</b>

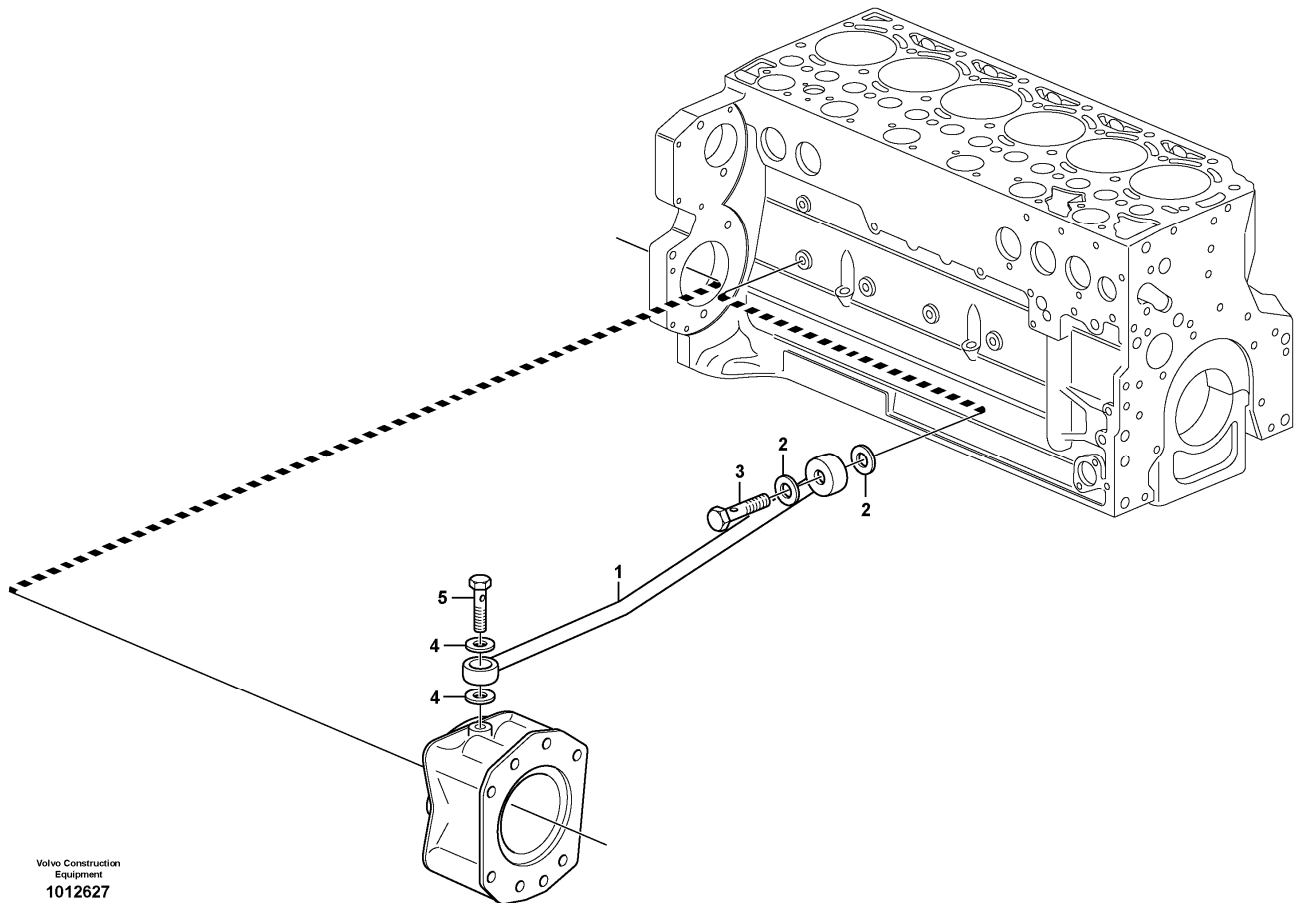


Section option	Kit	Option description
VOE11172408		Engine VOLVO D6D LAE2

Pos	Part	Q1	Q2	Q3	Q4	Q5	PS	Kit	Description	Option(s)	Remark
1	VOE20502113	1					SS		Oil pump		ENG - 912541
	VOE20574451	1							Oil Pump		ENG 912542 -
2	VOE20459168	1							•Crankshaft seal		
3	VOE20451738	8							•Screw		
4	VOE20412324	10							Screw		
5	VOE20537029	1							Gasket		(VOE20459161)

6	VOE20405603	1							Spring pin		
7	VOE20405561	6							Piston		
8	VOE20739886	2							Screw		
9	VOE20557401	1							Bracket		ENG - 912541
	VOE20739882	1							Bracket		ENG 912542 -
10	VOE20496392	1							Oil pipe		
11	VOE20405709	2							Screw		
12	VOE20405888	1							Gasket		(VOE11700391)
13	VOE13949578	2							Screw		

Date: <b>2014/2/20</b>	Image id: <b>1012627</b>	Catalogue: <b>20007</b>	Model: <b>L90E OR</b>
Brand: <b>Volvo</b>	Serial: <b>20005-80000</b>	Group/Section: <b>221/200</b>	Title: <b>Lubricating oil system</b>

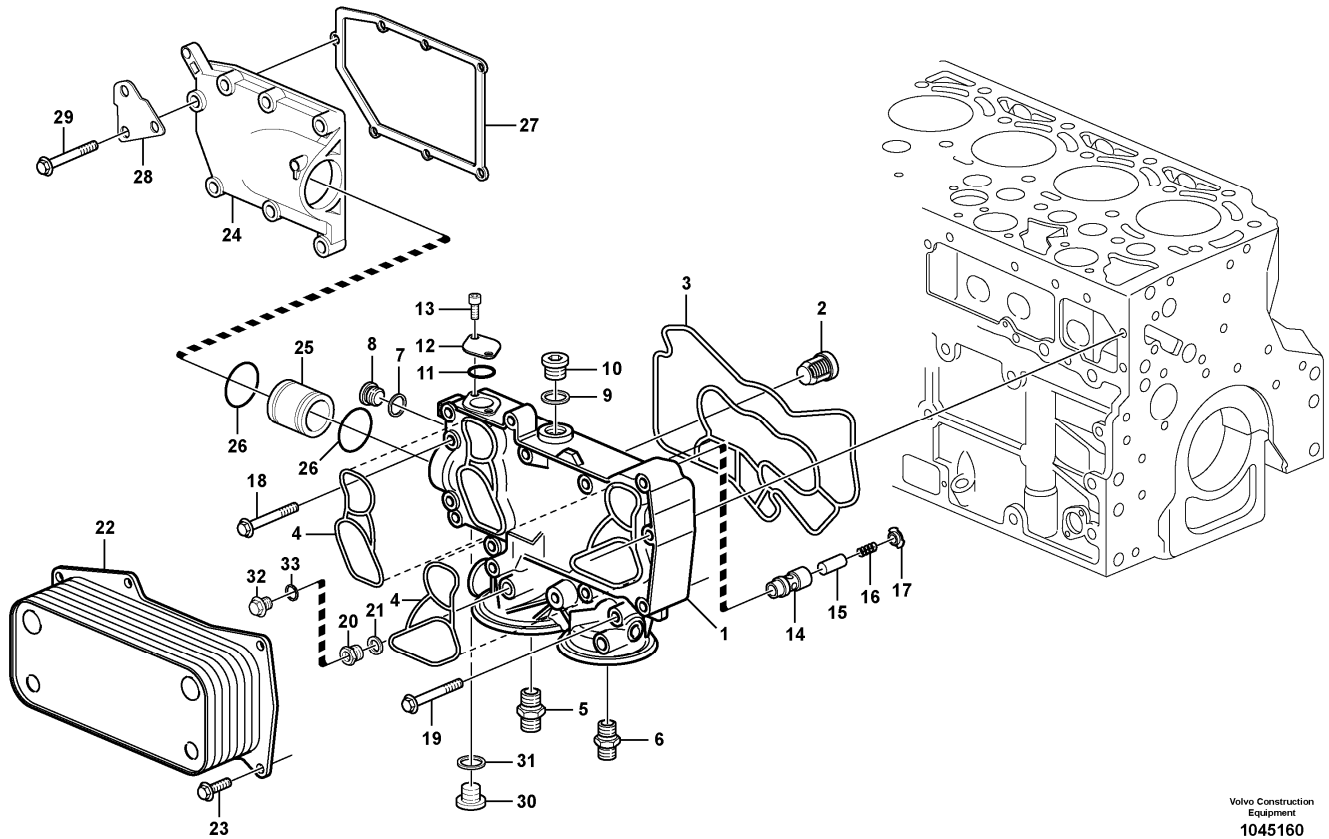


Section option	Kit	Option description
VOE14524530		Engine

Pos	Part	Q1	Q2	Q3	Q4	Q5	PS	Kit	Description	Option(s)	Remark
1	VOE20459170	1							Oil pipe		
2	VOE13947621	2							Plane gasket		
3	VOE20460936	1							Hollow screw		
4	VOE13947281	2							Gasket		
5	VOE7025167	1							Hollow screw		(VOE20460231)



Date: <b>2014/2/20</b>	Image id: <b>1045160</b>	Catalogue: <b>20007</b>	Model: <b>L90E OR</b>
Brand: <b>Volvo</b>	Serial: <b>20005-80000</b>	Group/Section: <b>223/100</b>	Title: <b>Oil cooler</b>



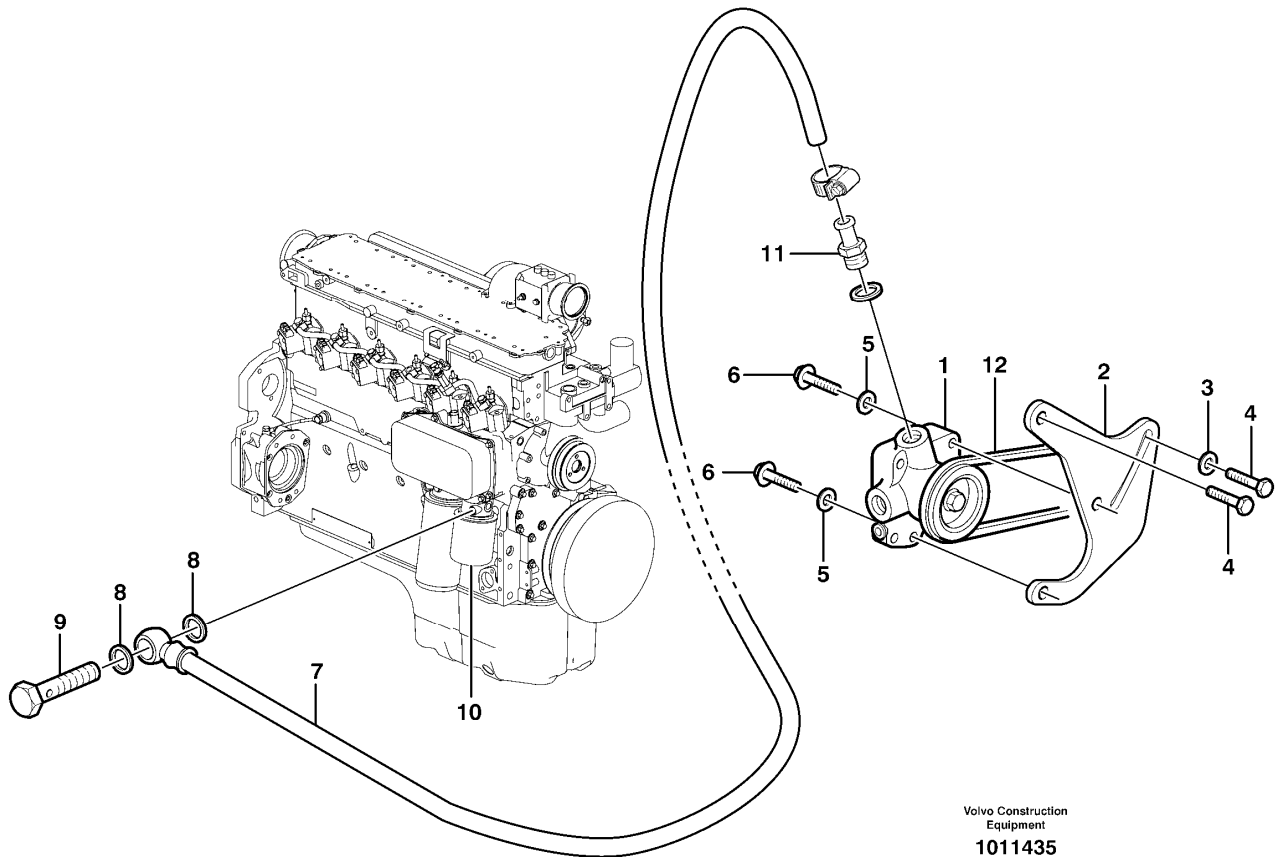
Volvo Construction  
Equipment  
1045160

Section option	Kit	Option description
VOE11172408		Engine VOLVO D6D LAE2

Pos	Part	Q1	Q2	Q3	Q4	Q5	PS	Kit	Description	Option(s)	Remark
1	VOE21099784	1							Oil cooler		
2	VOE20459204	1							•Valve		
3	VOE20459203	1							•Gasket		
4	VOE20459202	2							•Gasket		
5	VOE20459201	1							•Nipple		
6	VOE20459200	1							•Nipple		
7	VOE13947622	1							•Plane gasket		
8	VOE20502245	1							•Screw plug		
9	VOE13947628	1							•Plane gasket		
10	VOE20459195	1							•Plug		
10	VOE20496519	1							Nipple		
11	VOE20405599	1							•Sealing ring		

12	VOE21072778	1							•Flange		
13	VOE20405885	2							•Screw		
14		1					NS		•Valve seat		
15		1					NS		•Plunger		
16		1					NS		•Spring		
17		1					NS		•Sleeve		
18	VOE20405672	5							•Screw		
19	VOE20405917	3							•Screw		
20	VOE21100412	1							•Screw		
21	VOE13969011	1							•Gasket		
22	VOE20511773	1							Oil cooler		
23	VOE20405885	7							Screw		
24	VOE20796351	1							Tank		
25	VOE20459191	1							Plug		
26	VOE20459193	2							Sealing ring		
27	VOE20459192	1							Gasket		
28	VOE20914901	1							Retaining Plate		
29	VOE20412324	7							Screw		
30	VOE888474	1							Plug		
31	VOE20450890	1							Sealing ring		
32	VOE20450895	1							Plug		E PROD - 01/2007
32	VOE21011809	1							Plug		L PROD 02/2007 - INCL. SEALING RING
33	VOE13947281	1							Gasket		E PROD - 01/2007

Date: <b>2014/2/20</b>	Image id: <b>1011435</b>	Catalogue: <b>20007</b>	Model: <b>L90E OR</b>
Brand: <b>Volvo</b>	Serial: <b>20005-80000</b>	Group/Section: <b>233/100</b>	Title: <b>Fuel pump</b>

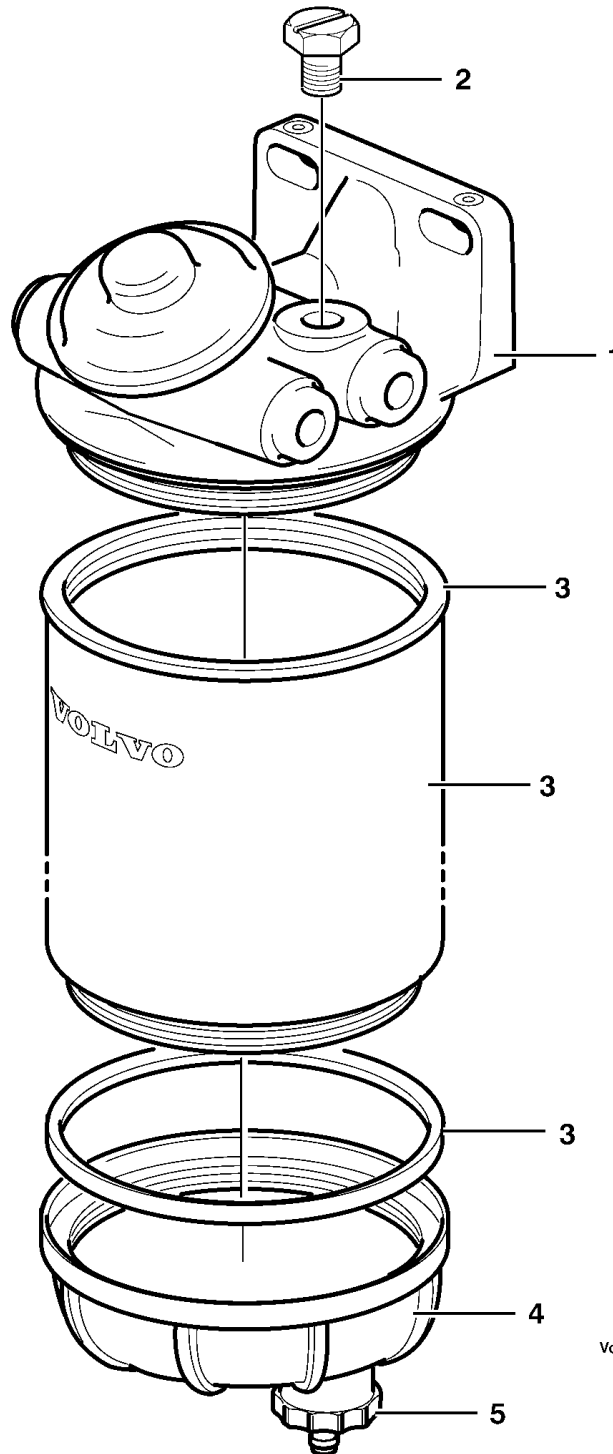


Section option	Kit	Option description
VOE11172408		Engine VOLVO D6D LAE2

Pos	Part	Q1	Q2	Q3	Q4	Q5	PS	Kit	Description	Option(s)	Remark
1	VOE20497044	1							Fuel pump		
2	VOE20880927	1							Bracket		(VOE20460032)ENG - 01099408
2	VOE20880927	1							Bracket		ENG 01099409 -
3	VOE20405734	1							Washer		
4	VOE20441860	2							Screw		(VOE20498595)
5	VOE20460063	2							Spring washer		
6	VOE13949578	2							Screw		
7	VOE20460044	1							Fuel pipe		
8	VOE976929	2							Gasket		
9	VOE7025167	1							Hollow screw		



Date: <b>2014/2/20</b>	Image id: <b>1009665</b>	Catalogue: <b>20007</b>	Model: <b>L90E OR</b>
Brand: <b>Volvo</b>	Serial: <b>20005-80000</b>	Group/Section: <b>233/150</b>	Title: <b>Water separator</b>



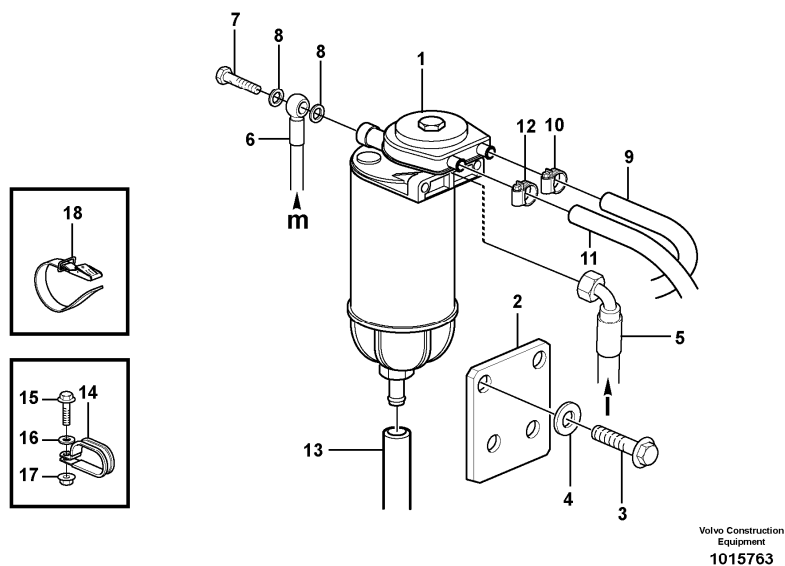
Volvo Construction  
Equipment  
**1009665**

Q1-Q5	Option	Option description	
Q1 11110471			

Q2 11110670			
Q3 11110501			

Pos	Part	Q1	Q2	Q3	Q4	Q5	PS	Kit	Description	Option(s)	Remark
	VOE11110471	1					SS		Water separator		S/N - 21093 S/N - 66712 USA S/N - 70927 BRA
	VOE11110670		1						Water separator		S/N 21094 - S/N 66713 - USA S/N 70928 - BRA
	VOE11110501			1					Water separator	VOE82779	
1	VOE11713138	1							•Filter housing		
2							NS		•Plug		
3	VOE11110668		1	1					•Filter		
3	VOE11110474	1							•Primary filter		
		2					NS		••Seal		
4	VOE11713284	1		1					•Draining bowl		(VOE3836024)
5	VOE11704244			1					•Drain valve		

Date: <b>2014/2/20</b>	Image id: <b>1015763</b>	Catalogue: <b>20007</b>	Model: <b>L90E OR</b>
Brand: <b>Volvo</b>	Serial: <b>20005-80000</b>	Group/Section: <b>233/175</b>	Title: <b>Water trap with hoses 82779</b>



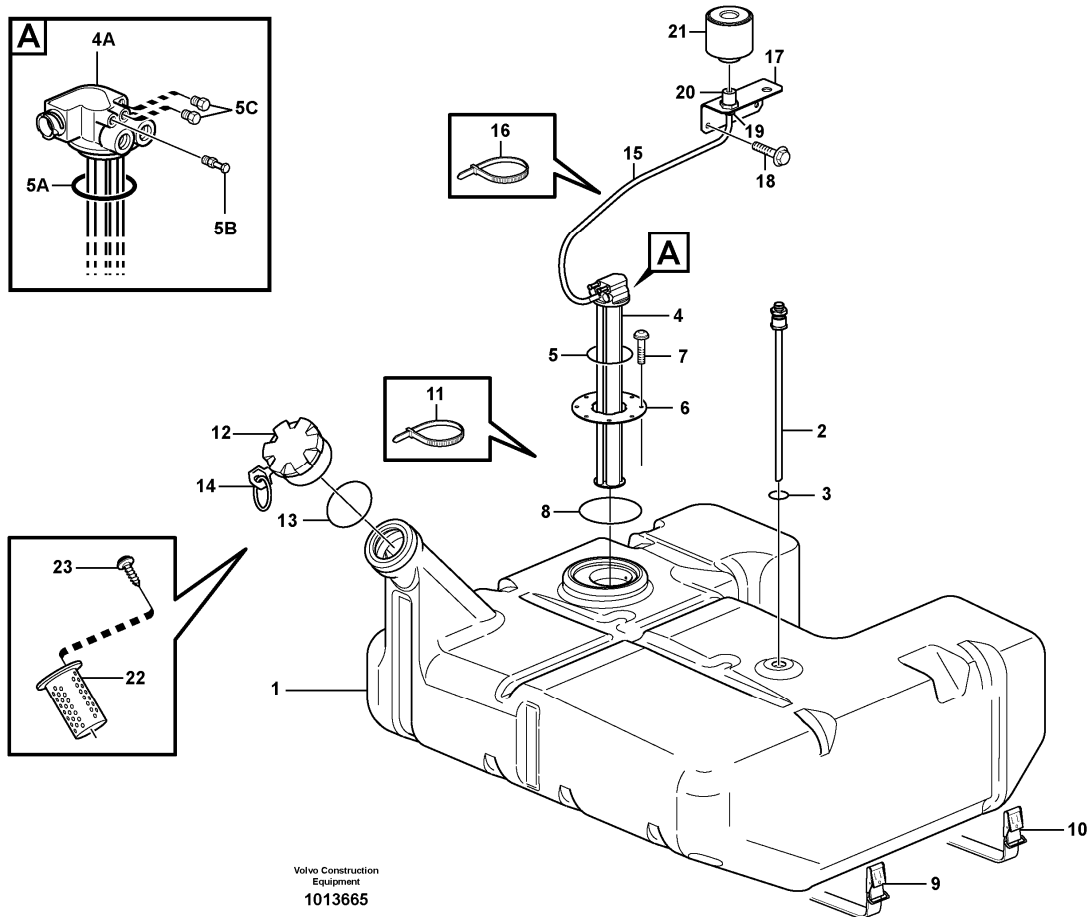
Section option	Kit	Option description
VOE82779		Fuel filter, extra with water trap

Pos	Part	Q1	Q2	Q3	Q4	Q5	PS	Kit	Description	Option(s)	Remark
1		1							Water Separator		See ref 233/150
2	VOE11410172	1					NS		Anchorage		
3	VOE946329	2							Flange screw		
4	VOE13960143	2							Washer		
5	VOE11410575	1							Fuel pipe		TANK - WATER TRAP
	VOE11031348	2							•Nipple		
	VOE990737	2							••O-ring		
6	VOE11411560	1							Fuel pipe		WATER TRAP - ENGINE
7	VOE941686	1							Hollow screw		
8	VOE976930	1							Gasket		
9	VOE943369	REQ							Hose		L = 3070 MM
10	VOE943473	1							Hose clamp		

11	VOE943369	REQ							Hose		L = 1720MM
	VOE13961962	2							Protecting bushing		
12	VOE943473	1							Hose clamp		
13		1							Hose		See ref 235/100
14	VOE11130770	1							Clamp		
15	VOE13947760	1							Screw		
16	VOE13930435	1							Spacer ring		
17	VOE13945407	1							Nut		
18	VOE11104606	4							Retaining strap		



Date: <b>2014/2/20</b>	Image id: <b>1013665</b>	Catalogue: <b>20007</b>	Model: <b>L90E OR</b>
Brand: <b>Volvo</b>	Serial: <b>20005-80000</b>	Group/Section: <b>234/100</b>	Title: <b>Fuel tank with fitting parts</b>



Q1-Q5	Option	Option description	
Q1.			See footnote 2177)
Q2.			See footnote 2178)

Pos	Part	Q1	Q2	Q3	Q4	Q5	PS	Kit	Description	Option(s)	Remark
1	VOE11410211	1							Fuel tank		See footnote 2177)
	VOE11411047		1				SS		Fuel tank		See footnote 2178)
2	VOE11173226	1	1						•Return pipe		
3	VOE925059	1	1						••O-ring		
4	VOE11039821	1					SS		•Tank unit		SE207
4A	VOE11170093		1						•Tank unit		SE207
5	VOE8151926	1							••O-ring		
5A	VOE8151926		1						•O-ring		
5B	VOE11712846		1						•Nipple		
5C	VOE11712847		2						•Nipple		
6	VOE9518442	1	1						•Plate		

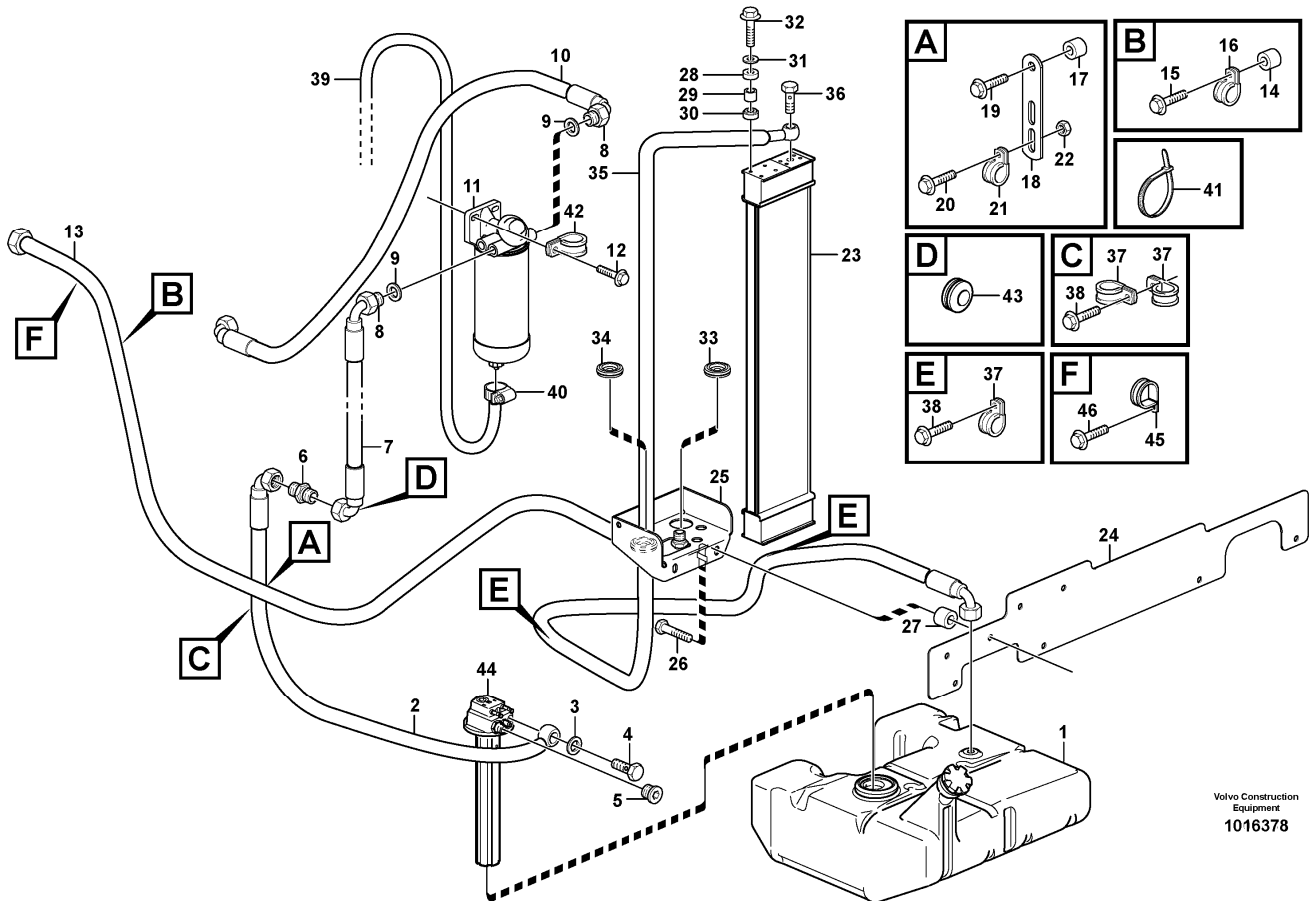
7	VOE975378	8	8						•Six point socket screw		
8	VOE925075	1	1						•O-ring		
9	VOE11172369	1	1						Retaining strap		L = 3500 MM
10	VOE11172369	1	1						Retaining strap		L = 3500 MM
11	VOE4881438	REQ	REQ						Cable tie		
12	VOE20392751	1	1						Filler cap		
13	VOE1698164	1	1						•Gasket		
14		2	2				NS		•Key		See footnote 3)
15	VOE11024720	REQ	REQ						Plastic hose		L = 800 MM
16	VOE4881438	REQ	REQ						Cable tie		
17	VOE11410340	1	1						Anchorage		
18	VOE13946173	2	2						Screw		
19	VOE949221	1	1						Hose nipple		
20	VOE4854955	1	1						Nipple		
21	VOE11172907	1	1						Air filter		
22	VOE11173801	1	1						Strainer	VOE91472	
23	VOE955127	2	2						Cross recessed screw	VOE91472	

3) When ordering, the key No. should be stated.

2177) S/N: - 20962, - 66548 USA, - 70909 BRA, - 42227 IRN

2178) S/N: 20963 -, 66549 - USA, 70910 - BRA, - 42228 IRN

Date: <b>2014/2/20</b>	Image id: <b>1016378</b>	Catalogue: <b>20007</b>	Model: <b>L90E OR</b>
Brand: <b>Volvo</b>	Serial: <b>20005-80000</b>	Group/Section: <b>235/100</b>	Title: <b>Fuel pipes, fuel tank - injection pump SER NO - 20004</b>



Volvo Construction  
Equipment  
1016378

Section option	Kit	Option description
VOE11172408		Engine VOLVO D6D LAE2

Pos	Part	Q1	Q2	Q3	Q4	Q5	PS	Kit	Description	Option(s)	Remark
1									Fuel tank		See ref 234/100
2	VOE11410157	1							Fuel pipe		
3	VOE976929	3							Gasket		
4	VOE7025167	1							Hollow screw		
5	VOE945065	1							Plug		
6	VOE957056	1							Nipple		
7	VOE11173483	1							Fuel pipe		
8	VOE14213266	4							Fitting		
9	VOE976930	8							Gasket		
10	VOE11411546	1							Fuel pipe		
11	VOE11110471	1					SS		Water separator		See ref 233/150
12	VOE946472	2							Flange screw		

Thank you so much for reading.  
Please click the “Buy Now!”  
button below to download the  
complete manual.



After you pay.

You can download the most  
perfect and complete manual in  
the world immediately.

Our support email:

[ebooklibonline@outlook.com](mailto:ebooklibonline@outlook.com)