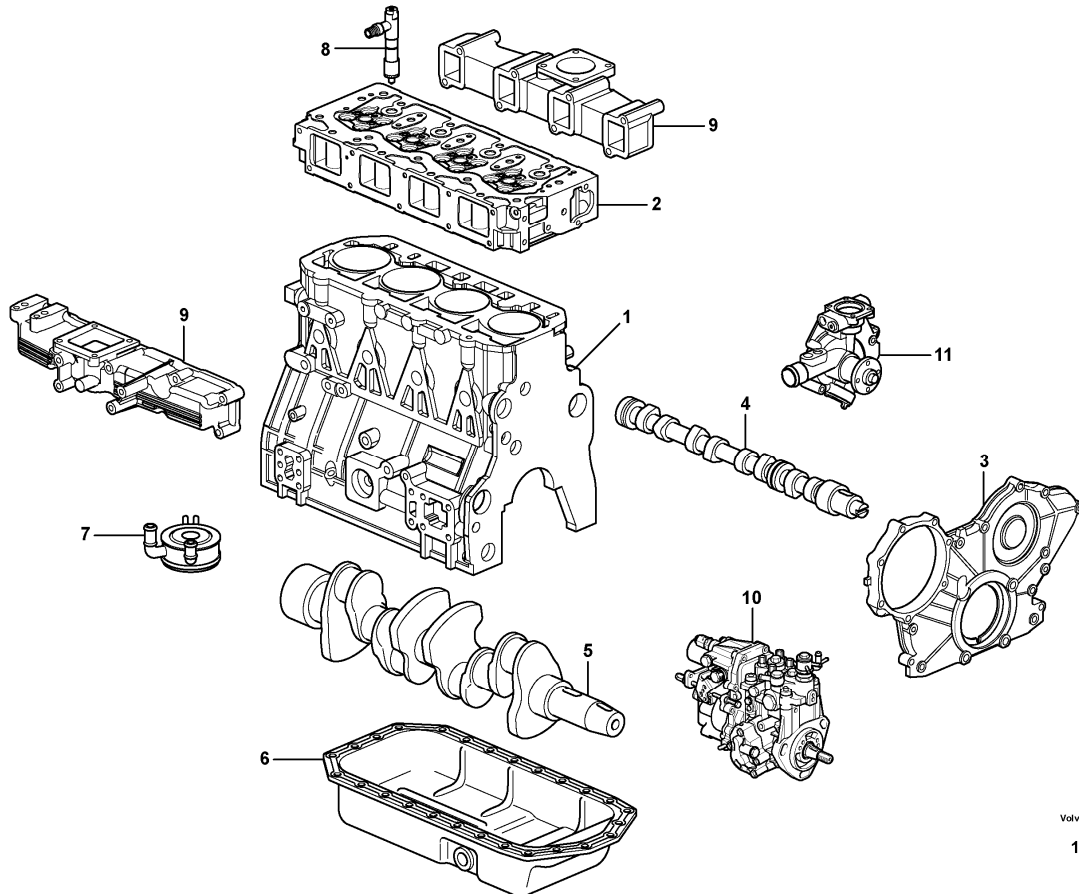


Date: 2013/10/24	Image id: 1018250	Catalogue: 20166	Model: MC110B
Brand: Volvo	Serial: 71000-	Group/Section: 210/150	Title: Engine



Volvo Construction
Equipment
1018250

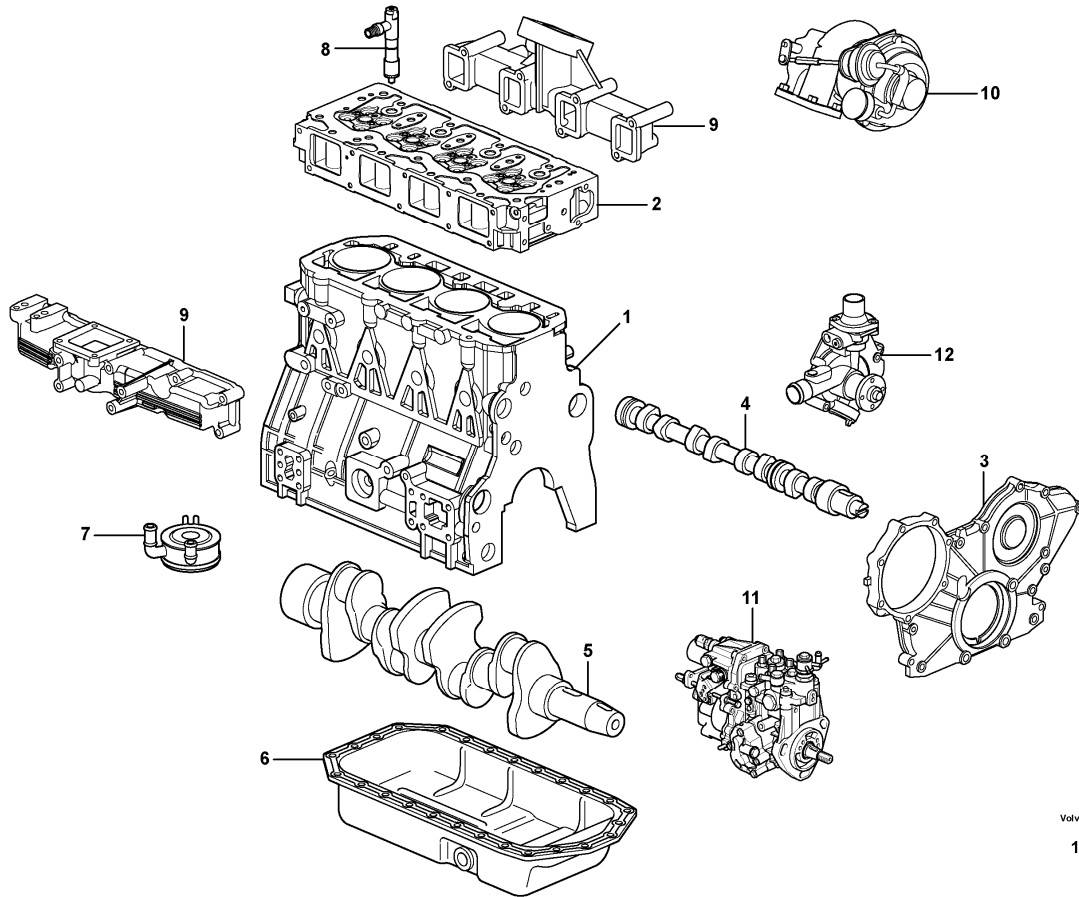
Section option	Kit	Option description
VOE11852931		Engine
VOE11852932		Engine
VOE11858384		Engine TIER 3, US & EU MARKET
VOE11858385		Engine TIER 3 WITH HF, US & EU MARKET

Q1-Q5	Option	Option description	
Q1 11858384	VOE11858384	Engine TIER 3, US & EU MARKET	
Q2 11858385	VOE11858385	Engine TIER 3 WITH HF, US & EU MARKET	

Pos	Part	Q1	Q2	Q3	Q4	Q5	PS	Kit	Description	Option(s)	Remark
	VOE11852931	1							Engine		
	VOE11852932		1						Engine		HIGH FLOW
1		1	1						•Cylinder block		See ref 212/100
2		1	1						•Cylinder head		See ref 211/100
3		1	1						•Timing gear casing		See ref 215/100

4		1	1						•Camshaft		See ref 214/100
5		1	1						•Crankshaft		See ref 216/100
6		1	1						•Oil sump		See ref 217/100
7		1	1						•Oil cooler		See ref 223/100
8		4	4						•Injector		See ref 237/100
9		1	1						•Inlet, exhaust syst.		See ref 251/100
10		1	1						•Injection Pump		See ref 236/100
11		1	1						•Water Pump		See ref 262/100

Date: 2013/10/24	Image id: 1018251	Catalogue: 20166	Model: MC110B
Brand: Volvo	Serial: 71000-	Group/Section: 210/160	Title: Engine



Volvo Construction
Equipment
1018251

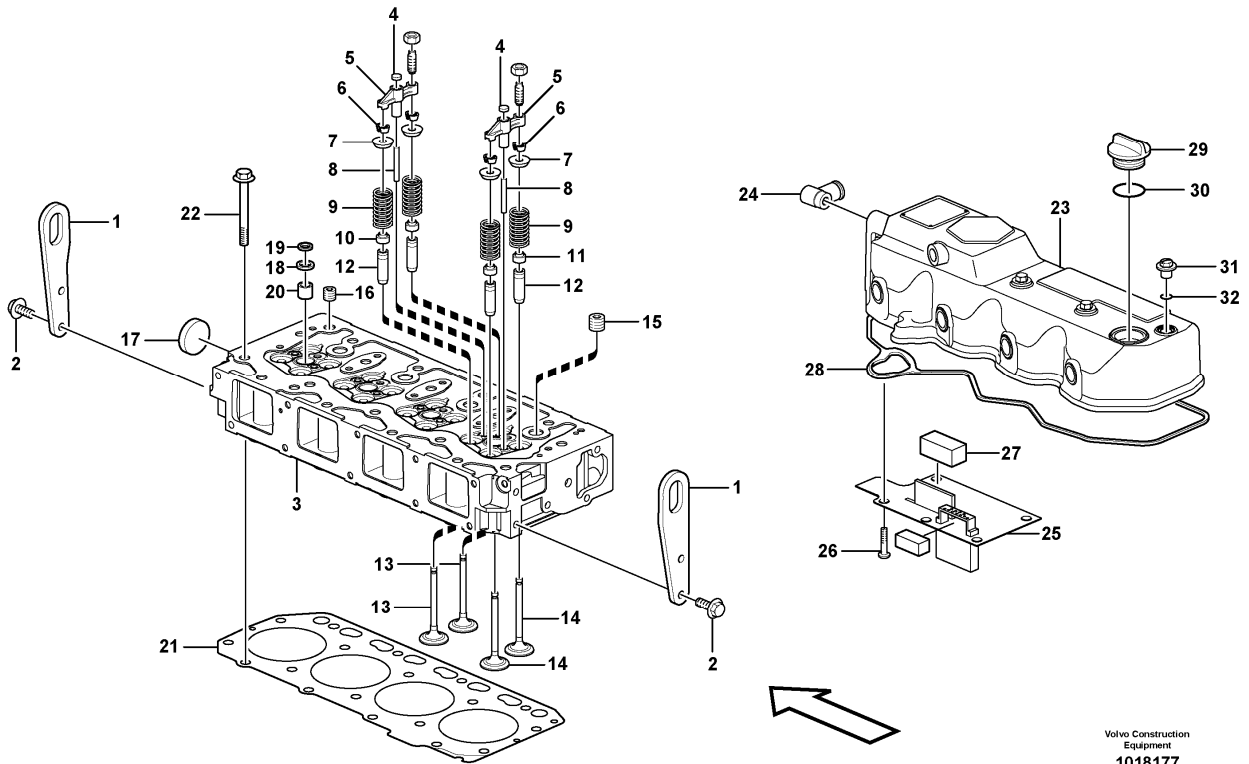
Section option	Kit	Option description
VOE11858380		Engine TIER 2A, INTERNATIONAL MARKET
VOE11858381		Engine TIER 2A WITH HF, INTERNATIONAL MARKET
VOE15635459		Engine TIER 2A, INTERNATIONAL MARKET
VOE15635466		Engine TIER 2A HF, INTERNATIONAL MARKET

Q1-Q5	Option	Option description	
Q1 11858380	VOE11858380	Engine TIER 2A, INTERNATIONAL MARKET	
Q2 11858381	VOE11858381	Engine TIER 2A WITH HF, INTERNATIONAL MARKET	

Pos	Part	Q1	Q2	Q3	Q4	Q5	PS	Kit	Description	Option(s)	Remark
	VOE15635459	1							Engine		HF
	VOE15635466		1						Engine		
1		1	1						•Cylinder block		See ref 212/110
2		1	1						•Cylinder head		See ref 211/110
3		1	1						•Timing gear casing		See ref 215/110

4		1	1						•Camshaft		See ref 214/110
5		1	1						•Crankshaft		See ref 216/110
6		1	1						•Oil sump		See ref 217/110
7		1	1						•Oil cooler		See ref 220/110
8		4	4						•Injector		See ref 237/110
9		1	1						•Inlet, exhaust syst.		See ref 251/110
10		1	1						•Turbo Charger		See ref 251/110
11		1	1						•Injection Pump		See ref 236/110
12		1	1						•Water Pump		See ref 262/110

Date: 2013/10/24	Image id: 1018177	Catalogue: 20166	Model: MC110B
Brand: Volvo	Serial: 71000-	Group/Section: 211/100	Title: Cylinder head



Volvo Construction
Equipment
1018177

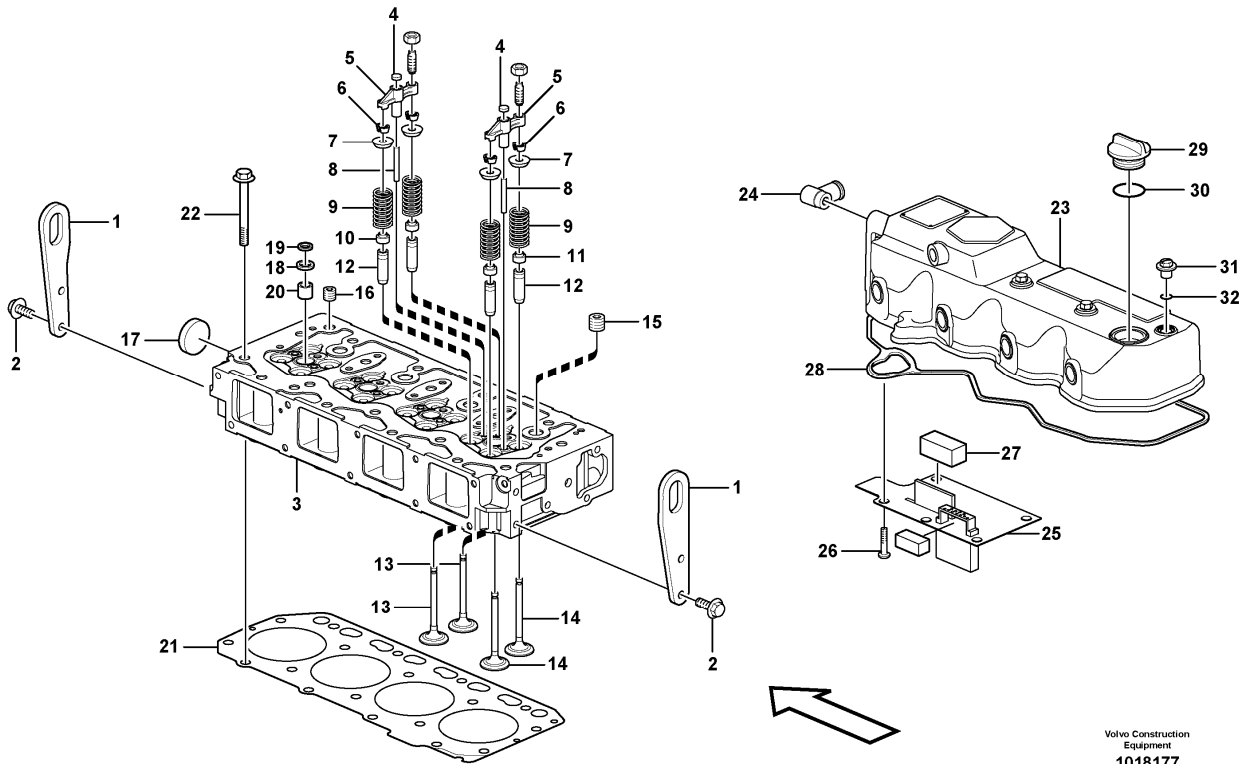
Section option	Kit	Option description
VOE11852931		Engine
VOE11852932		Engine
VOE11858384		Engine TIER 3, US & EU MARKET
VOE11858385		Engine TIER 3 WITH HF, US & EU MARKET

Q1-Q5	Option	Option description	
Q1 11858384 11858385	VOE11858384	Engine TIER 3, US & EU MARKET	

Pos	Part	Q1	Q2	Q3	Q4	Q5	PS	Kit	Description	Option(s)	Remark
1	VOE11714768	1							Lifting eye		FORW
1	VOE15103480	1							Lifting bracket		REAR
2	VOE11714372	4							Bolt		
3	VOE15103484	1							Cylinder head		
4	VOE14521518	8							Seat		

5	VOE14521529	8							•Valve guide		
6	VOE14521531	16							•Valve cone		
7	VOE14521526	16							•Retainer		
8	VOE14521521	8							•Guide		
9	VOE14521525	16							•Valve spring		
10	VOE15057732	8							•Valve seal		
11	VOE14521527	8							•Valve seal		
12	VOE14525388	16							•Valve guide		
13	VOE14521524	8							•Exhaust valve		
14	VOE14521523	8							•Inlet valve		
15	VOE14521504	4							•Plug		
16	VOE14521522	1							•Plug		
17	VOE11714379	1							•Plug		
18	VOE11714381	4							•Seat		
19	VOE11714386	4							•O-ring		
20	VOE14521532	4							•Protection		
21	VOE14528171	1					SS		Cylinder head gasket		
22	VOE11714759	18							Screw		
23	VOE15103475	1							Valve cover		
24	VOE15103474	1							•Joint		
25	VOE11714770	1					NS		•Plate		
26	VOE11714720	6							•Screw		
27	VOE14521547	1							•Baffle		
28	VOE15057758	1							•Valve cover gasket		
29	VOE11714383	1							Cap		
30	VOE11714371	1							O-ring		
31	VOE11714385	4							Flange cap nut		
32	VOE11714386	4							O-ring		

Date: 2013/10/24	Image id: 1018177	Catalogue: 20166	Model: MC110B
Brand: Volvo	Serial: 71000-	Group/Section: 211/110	Title: Cylinder head



Volvo Construction
Equipment
1018177

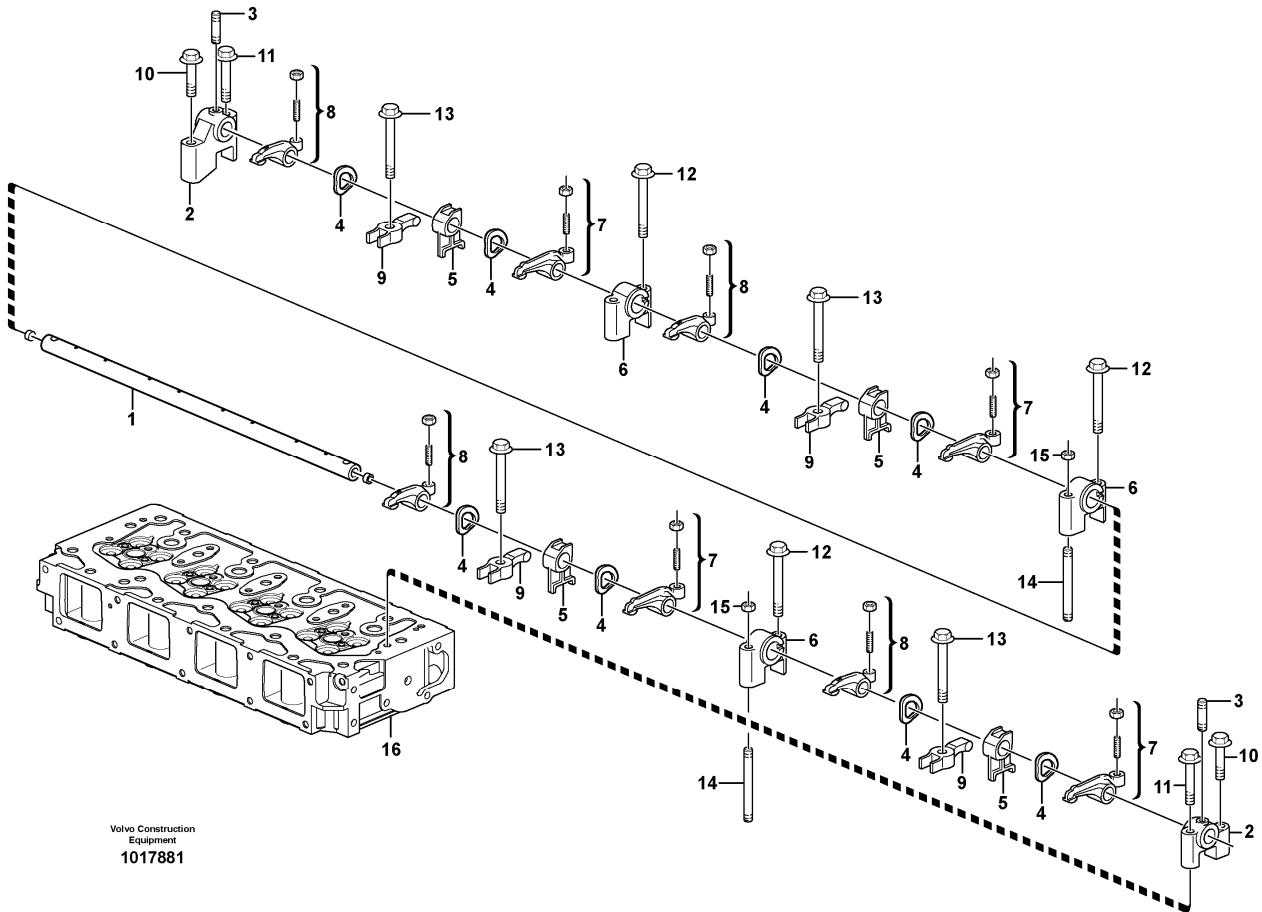
Section option	Kit	Option description
VOE11858380		Engine TIER 2A, INTERNATIONAL MARKET
VOE11858381		Engine TIER 2A WITH HF, INTERNATIONAL MARKET
VOE15635459		Engine TIER 2A, INTERNATIONAL MARKET
VOE15635466		Engine TIER 2A HF, INTERNATIONAL MARKET

Q1-Q5	Option	Option description	
Q1 11858380	VOE11858380	Engine TIER 2A, INTERNATIONAL MARKET	
Q2 11858381	VOE11858381	Engine TIER 2A WITH HF, INTERNATIONAL MARKET	

Pos	Part	Q1	Q2	Q3	Q4	Q5	PS	Kit	Description	Option(s)	Remark
1	VOE11714768	2	2						Lifting eye		
2	VOE11714372	4	4						Bolt		
3	VOE11714809	1	1						Cylinder head		
4	VOE14521518	8	8						Seat		
5	VOE14521529	8	8						•Valve guide		

5	VOE14521530	8	8						•Screw		
5	VOE11714380	8	8						•Nut		
6	VOE14521531	16	16						•Valve cone		
7	VOE14521526	16	16						•Retainer		
8	VOE14521521	8	8						•Guide		
9	VOE14521525	16	16						•Valve spring		
10	VOE14521528	8	8						•Valve seal		
11	VOE14521527	8	8						•Valve seal		
12	VOE14521518	16	16						•Seat		
13	VOE14521524	8	8						•Exhaust valve		
14	VOE14521523	8	8						•Inlet valve		
15	VOE14521504	4	4						•Plug		
16	VOE14521522	1	1						•Plug		
17	VOE11714379	1	1						•Plug		
18	VOE11714381	4	4						•Seat		
19	VOE11714386	4	4						•O-ring		
20	VOE14521532	4	4						•Protection		
21	VOE14528171	1	1				SS		Cylinder head gasket		
22	VOE11714759	18	18						Screw		
23	VOE11714781	1	1						Valve cover		
24	VOE11714782	1	1				NS		•Connector		
25	VOE11714770	1	1				NS		•Plate		
26	VOE11714720	6	6						•Screw		
27	VOE14521547	1	1						•Baffle		
28	VOE14521552	1	1						•Gasket		
29	VOE11714383	1	1						•Cap		
30	VOE11714371	1	1						•O-ring		
31	VOE11714385	4	4						Flange cap nut		
32	VOE11714386	4	4						O-ring		

Date: 2013/10/24	Image id: 1017881	Catalogue: 20166	Model: MC110B
Brand: Volvo	Serial: 71000-	Group/Section: 211/200	Title: Valve mechanism



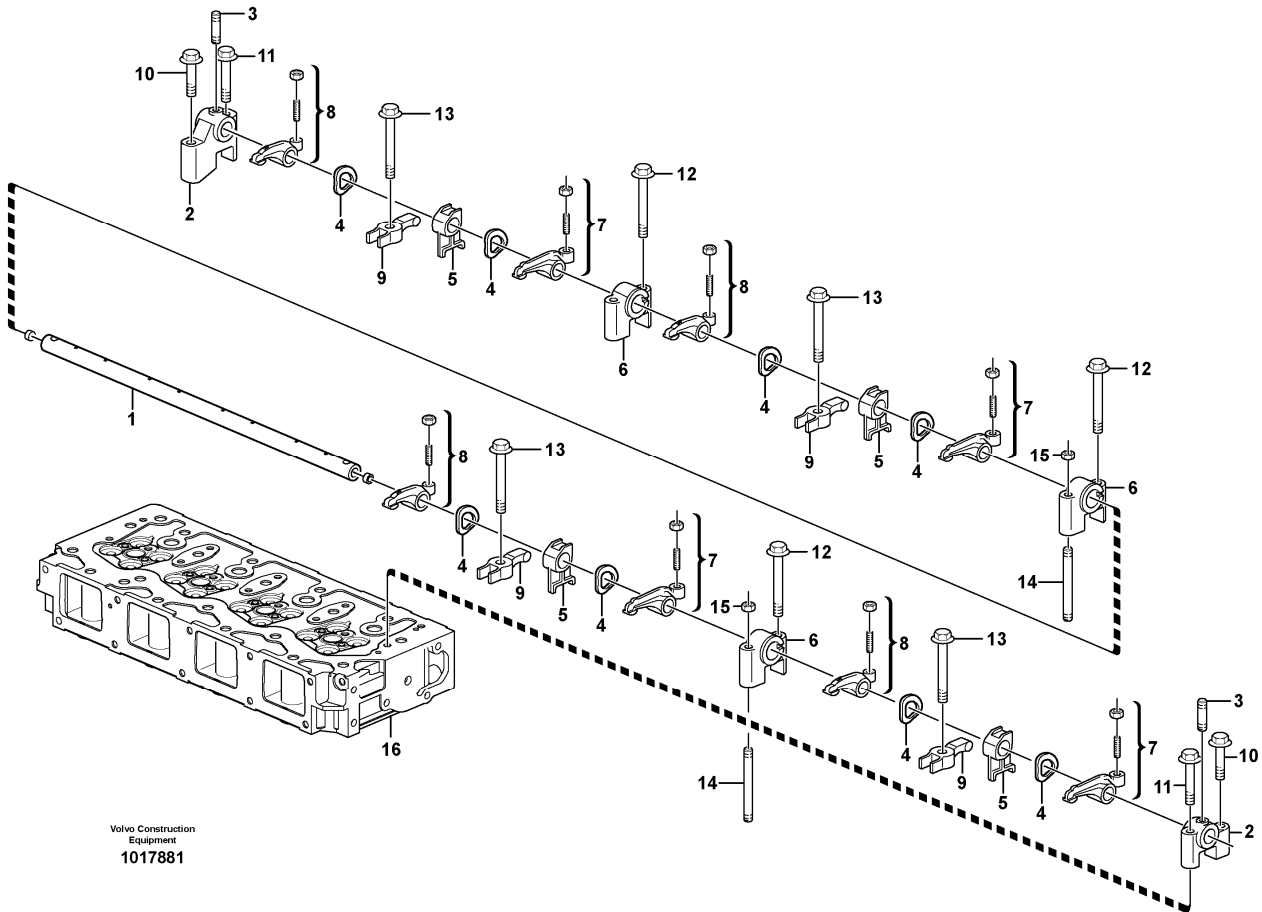
Section option	Kit	Option description
VOE11852931		Engine
VOE11852932		Engine
VOE11858384		Engine TIER 3, US & EU MARKET

Q1-Q5	Option	Option description	
Q1 11858384 11858385	VOE11858384	Engine TIER 3, US & EU MARKET	

Pos	Part	Q1	Q2	Q3	Q4	Q5	PS	Kit	Description	Option(s)	Remark
	VOE14525390	1							Valve		
1	VOE14521535	1							•Rocker arm		
2	VOE14521537	2							•Support		
3	VOE14521542	2							•Bolt		
4	VOE14521538	8							•Spring washer		
5	VOE14525391	4							•Retainer		

6	VOE14521536	3							•Support		
7	VOE14521539	4							•Rocker arm		
8	VOE14521540	4							•Rocker arm		
9	VOE14525392	4							Retainer		
10	VOE11714388	2							Bolt		
11	VOE11714494	2							Bolt		
12	VOE11714494	4							Bolt		
13	VOE14525393	4							Flange screw		
14	VOE14525389	2							Bolt		
15	VOE14521543	2							Nut		
16		1							Cylinder head		See ref 211/100

Date: 2013/10/24	Image id: 1017881	Catalogue: 20166	Model: MC110B
Brand: Volvo	Serial: 71000-	Group/Section: 211/210	Title: Valve mechanism



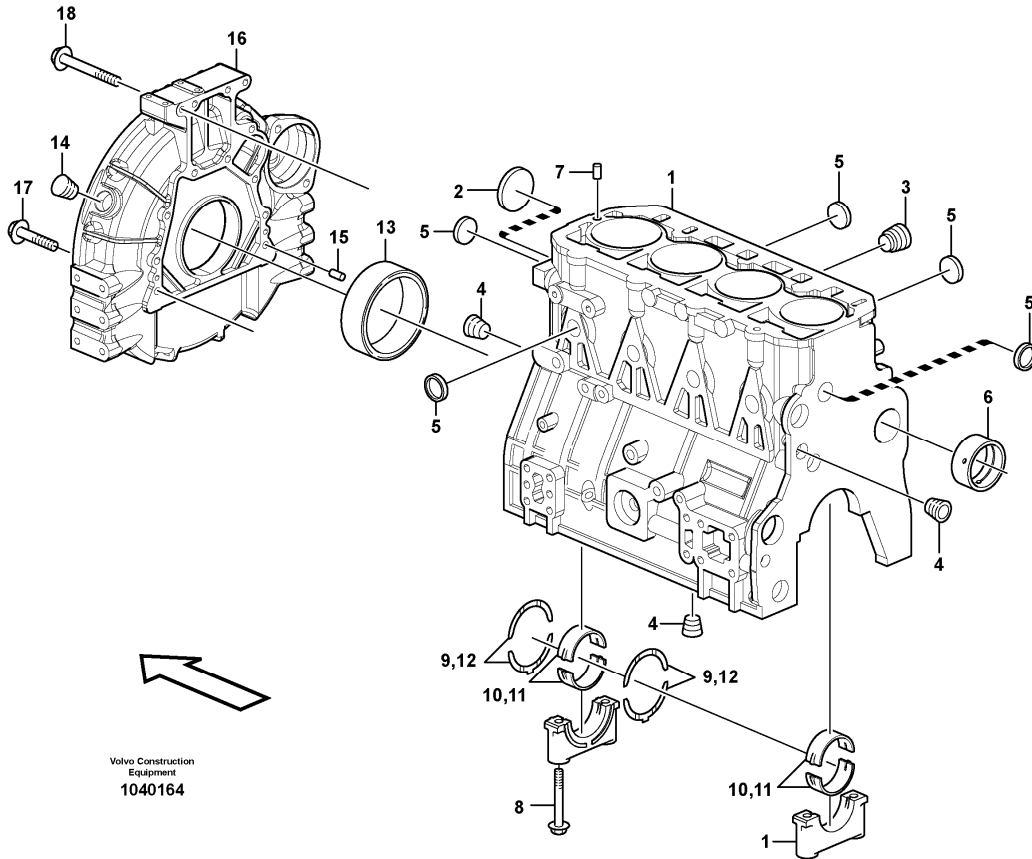
Section option	Kit	Option description
VOE11858380		Engine TIER 2A, INTERNATIONAL MARKET
VOE11858381		Engine TIER 2A WITH HF, INTERNATIONAL MARKET
VOE15635459		Engine TIER 2A, INTERNATIONAL MARKET
VOE15635466		Engine TIER 2A HF, INTERNATIONAL MARKET

Q1-Q5	Option	Option description	
Q1 11858380	VOE11858380	Engine TIER 2A, INTERNATIONAL MARKET	
Q2 11858381	VOE11858381	Engine TIER 2A WITH HF, INTERNATIONAL MARKET	

Pos	Part	Q1	Q2	Q3	Q4	Q5	PS	Kit	Description	Option(s)	Remark
	VOE14525390	1	1						Valve		
1	VOE14521535	1	1						•Rocker arm		
2	VOE14521537	2	2						•Support		
3	VOE14521542	2	2						•Bolt		
4	VOE14521538	8	8						•Spring washer		

5	VOE14525391	4	4						•Retainer		
6	VOE14521536	3	3						•Support		
7	VOE14521539	4	4						•Rocker arm		
8	VOE14521540	4	4						•Rocker arm		
9	VOE14525392	4	4						Retainer		
10	VOE11714487	2	2						Bolt		
11	VOE11714494	2	2						Bolt		
12	VOE11714494	4	4						Bolt		
13	VOE14525393	4	4						Flange screw		
14	VOE14525389	2	2						Bolt		
15	VOE14521543	2	2						Nut		
16		1	1						Cylinder head		See ref 211/110

Date: 2013/10/24	Image id: 1040164	Catalogue: 20166	Model: MC110B
Brand: Volvo	Serial: 71000-	Group/Section: 212/100	Title: Cylinder block



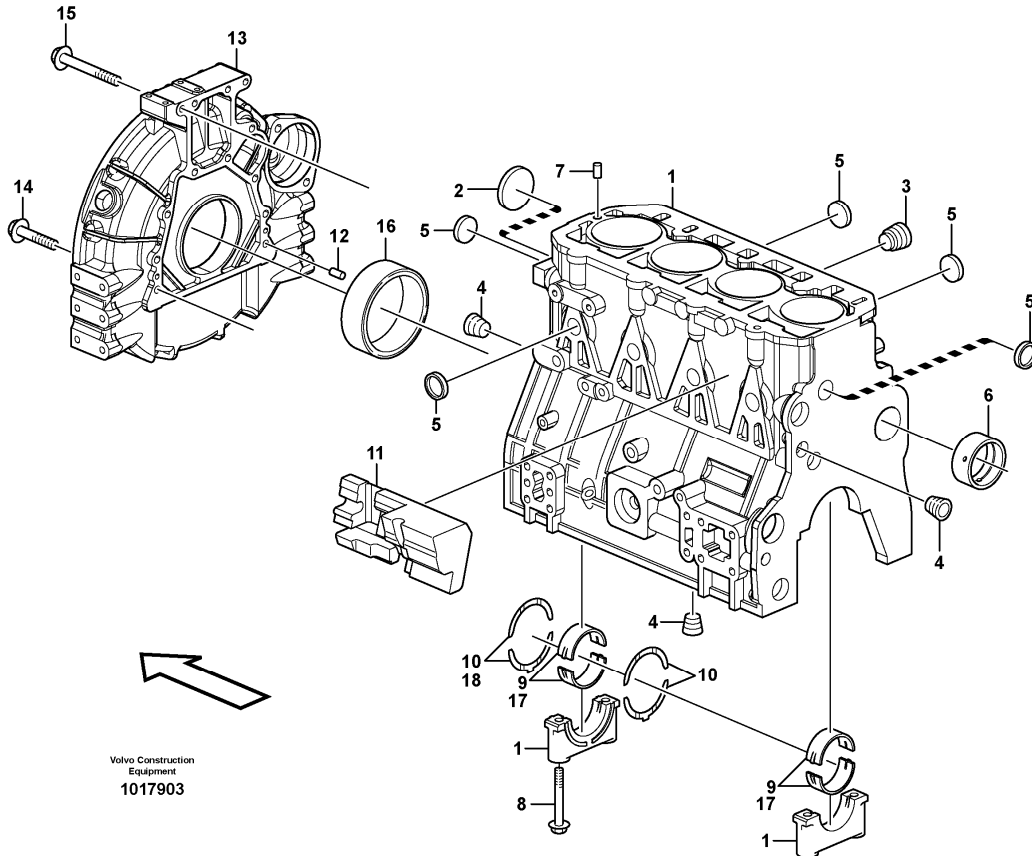
Volvo Construction
Equipment
1040164

Section option	Kit	Option description
VOE11852931		Engine
VOE11852932		Engine
VOE11858384		Engine TIER 3, US & EU MARKET
VOE11858385		Engine TIER 3 WITH HF, US & EU MARKET

Q1-Q5	Option	Option description	
Q1 11858384 11858385	VOE11858384	Engine TIER 3, US & EU MARKET	

Pos	Part	Q1	Q2	Q3	Q4	Q5	PS	Kit	Description	Option(s)	Remark
1	VOE15101901	1							Block		
2	VOE14521503	1							•Plug		
3	VOE11713560	1							•Plug		
4	VOE14521504	3							•Plug		
5	VOE11714369	8							•Plug		

Date: 2013/10/24	Image id: 1017903	Catalogue: 20166	Model: MC110B
Brand: Volvo	Serial: 71000-	Group/Section: 212/110	Title: Cylinder block



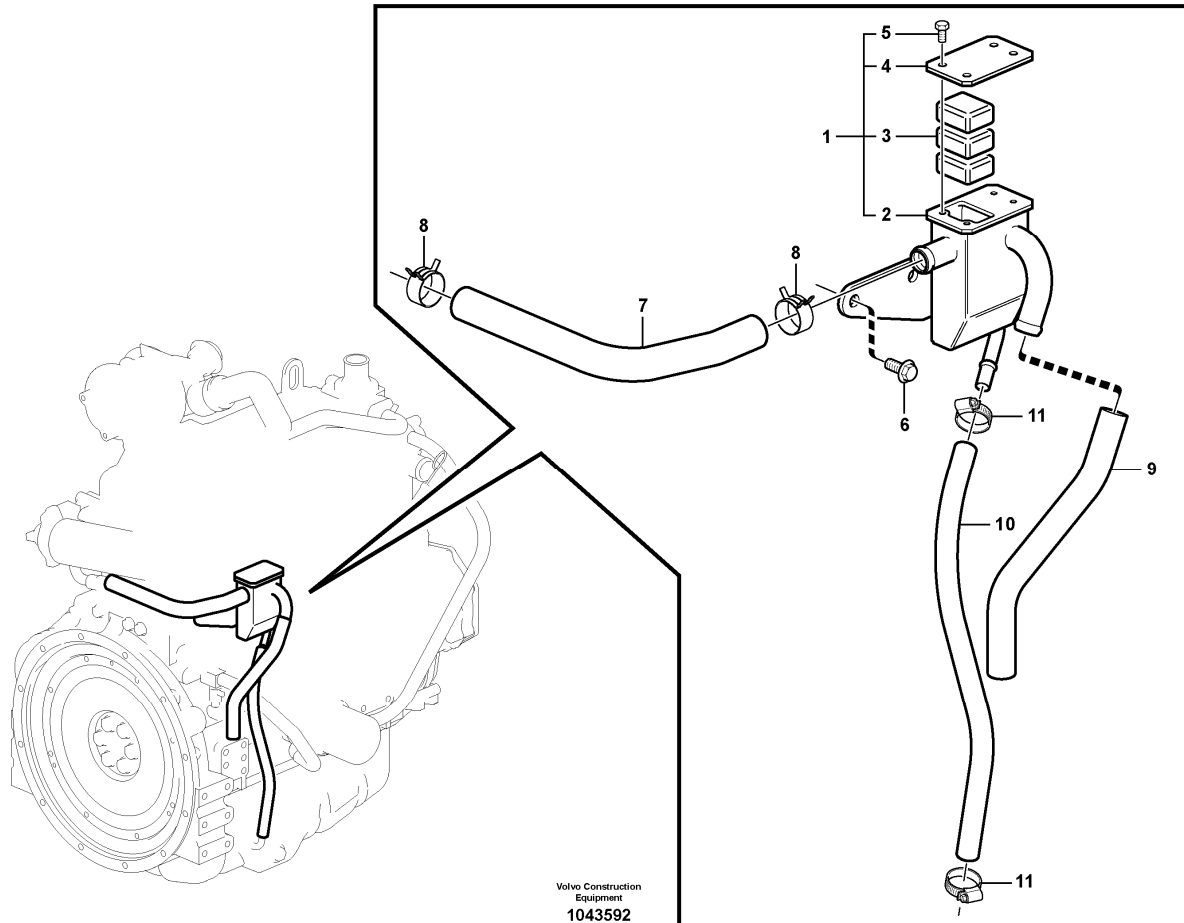
Section option	Kit	Option description
VOE11858380		Engine TIER 2A, INTERNATIONAL MARKET
VOE11858381		Engine TIER 2A WITH HF, INTERNATIONAL MARKET
VOE15635459		Engine TIER 2A, INTERNATIONAL MARKET
VOE15635466		Engine TIER 2A HF, INTERNATIONAL MARKET

Q1-Q5	Option	Option description	
Q1 11858380 11858381	VOE11858380	Engine TIER 2A, INTERNATIONAL MARKET	

Pos	Part	Q1	Q2	Q3	Q4	Q5	PS	Kit	Description	Option(s)	Remark
1	VOE11714743	1							Cylinder block		
2	VOE14521503	1							•Plug		
3	VOE11713560	1							•Plug		
4	VOE14521504	3							•Plug		
5	VOE11714369	8							•Plug		

6	VOE11714757	1							•Bushing		
7	VOE11714387	2							•Spring pin		
8	VOE11714756	10							•Screw		
9	VOE15057722	5							•Main bearing kit		(VOE14524620)STD SZ
10	VOE15057699	2							•Thrust washer		(VOE11714758)STD SZ
11	VOE14521506	1							Spacer		
12	VOE11714376	2							Pin		
13	VOE11714762	1							Flywheel housing		
14	VOE11714763	9							Screw		
15	VOE11714764	4							Screw		
16	VOE11714765	1							Crankshaft seal		
17	VOE11714760	5							Main bearing		0,25 MM O SZ
18	VOE11714761	2							Thrust washer		0,25 MM O SZ

Date: 2013/10/24	Image id: 1043592	Catalogue: 20166	Model: MC110B
Brand: Volvo	Serial: 71000-	Group/Section: 212/150	Title: Crankcase ventilation



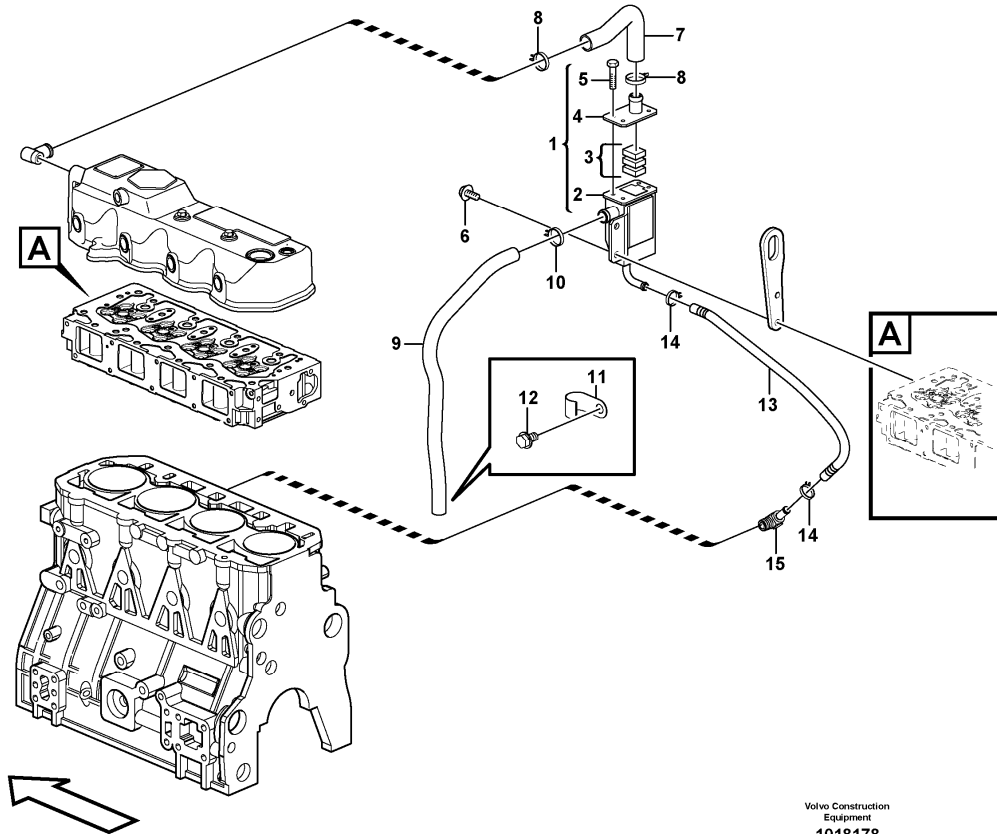
Section option	Kit	Option description
VOE11852931		Engine
VOE11852932		Engine
VOE11858384		Engine TIER 3, US & EU MARKET
VOE11858385		Engine TIER 3 WITH HF, US & EU MARKET

Q1-Q5	Option	Option description
Q1 11858384 11858385	VOE11858384	Engine TIER 3, US & EU MARKET

Pos	Part	Q1	Q2	Q3	Q4	Q5	PS	Kit	Description	Option(s)	Remark
1	VOE15103492	1							Separator		
2		1					NS		•Housing		
3	VOE11714813	3							•Filler		
4		1					NS		•Cap		
5	VOE11714816	4							•Bolt		

6	VOE14525410	2							Bolt		
7	VOE15103485	1							Hose		
8	VOE11713669	2							•Clamp		
9	VOE15103493	1							Hose		
10	VOE15103491	1							Hose		
11	VOE11714820	2							Hose clamp		

Date: 2013/10/24	Image id: 1018178	Catalogue: 20166	Model: MC110B
Brand: Volvo	Serial: 71000-	Group/Section: 212/160	Title: Crankcase ventilation



Volvo Construction
Equipment
1018178

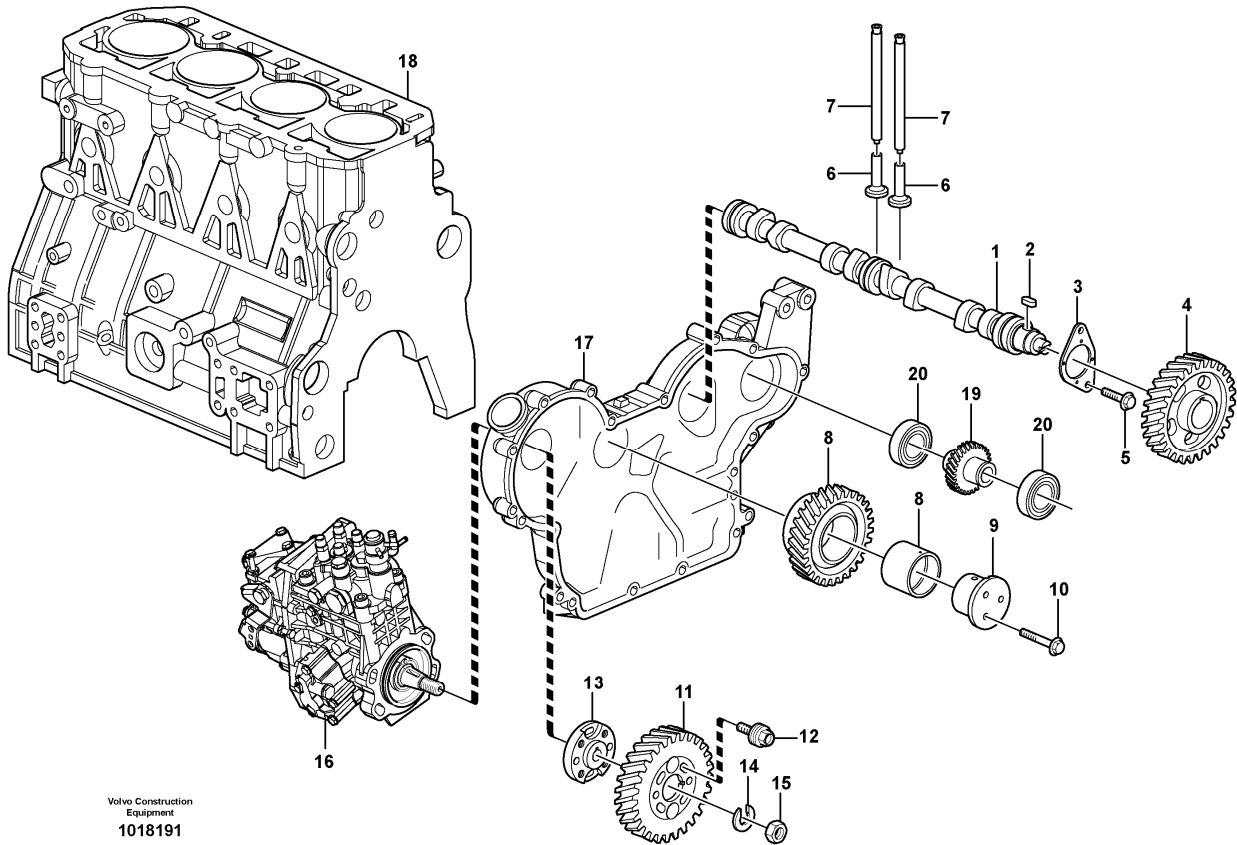
Section option	Kit	Option description
VOE11858380		Engine TIER 2A, INTERNATIONAL MARKET
VOE11858381		Engine TIER 2A WITH HF, INTERNATIONAL MARKET
VOE15635459		Engine TIER 2A, INTERNATIONAL MARKET
VOE15635466		Engine TIER 2A HF, INTERNATIONAL MARKET

Q1-Q5	Option	Option description	
Q1 11858380 11858381	VOE11858380	Engine TIER 2A, INTERNATIONAL MARKET	

Pos	Part	Q1	Q2	Q3	Q4	Q5	PS	Kit	Description	Option(s)	Remark
1	VOE11714812	1							Oil separator		
2	VOE11714815	1					NS		•Housing		
3	VOE11714813	3							•Filler		
4	VOE11714814	1					NS		•Cap		
5	VOE11714816	4							•Bolt		

6	VOE11714372	2							Bolt		
7	VOE11714811	1							Hose		
8	VOE11713669	2							Clamp		
9	VOE11714819	1							Hose		
10	VOE11714822	1							Hose clamp		
11	VOE11714824	1							Clamp		
12	VOE11714490	1							Bolt		
13	VOE11714817	1							Hose assembly		
14	VOE11714820	2							Hose clamp		
15	VOE11714823	1							Elbow nipple		

Date: 2013/10/24	Image id: 1018191	Catalogue: 20166	Model: MC110B
Brand: Volvo	Serial: 71000-	Group/Section: 214/100	Title: Valve mechanism



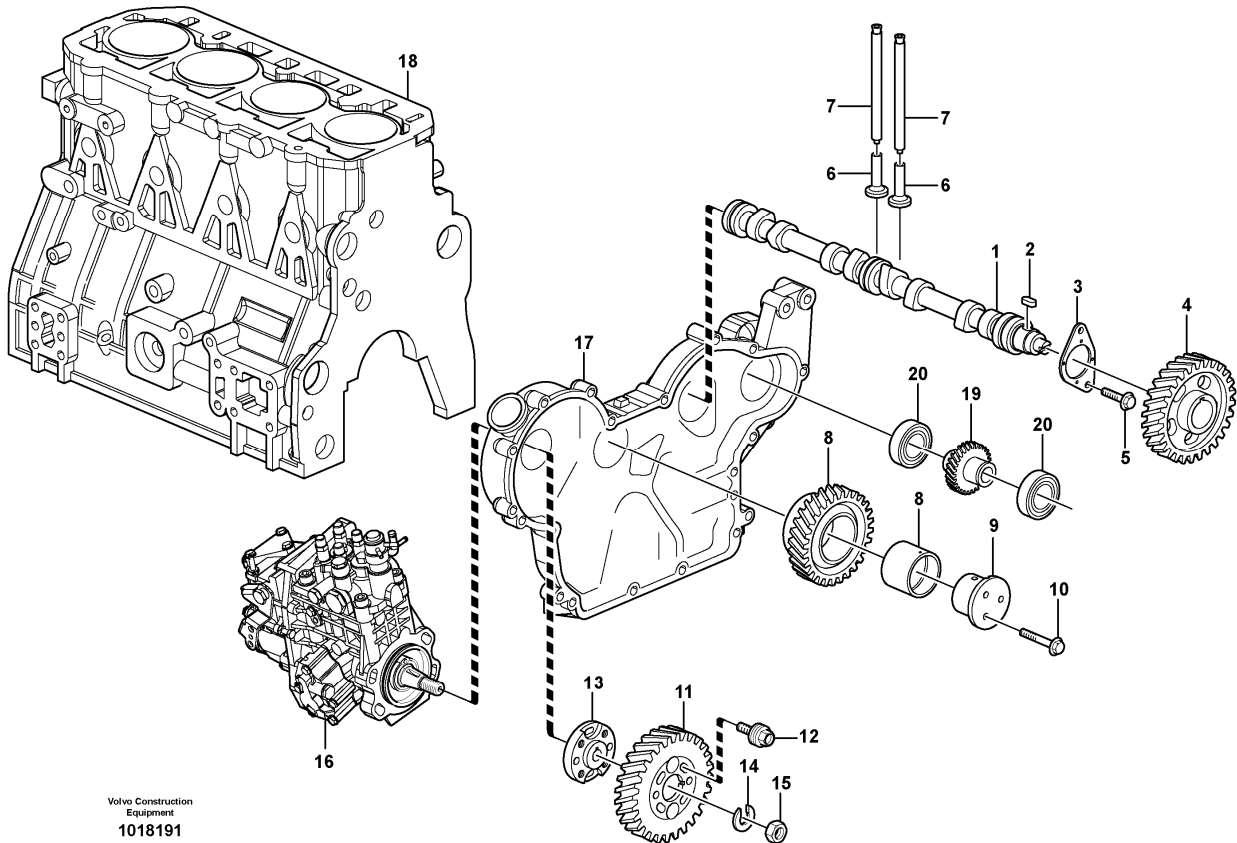
Section option	Kit	Option description
VOE11852931		Engine
VOE11852932		Engine
VOE11858384		Engine TIER 3, US & EU MARKET
VOE11858385		Engine TIER 3 WITH HF, US & EU MARKET

Q1-Q5	Option	Option description
Q1 11858384 11858385	VOE11858384	Engine TIER 3, US & EU MARKET

Pos	Part	Q1	Q2	Q3	Q4	Q5	PS	Kit	Description	Option(s)	Remark
1	VOE11714836	1							Camshaft		
2		1					NS		•Key		
3		1					NS		•Thrust Washer		
4		1					NS		•Camshaft Gear		
5	VOE11714372	2							Bolt		

6	VOE11714485	8							Tappet		
7	VOE14521559	8							Push rod		
8	VOE11714838	1							Gear		
9	VOE14521561	1							Shaft		
10	VOE11714373	3							Bolt		
11	VOE11714787	1							Gear		
12	VOE14521562	4							Bolt		
13	VOE14525395	1							Flange		
14	VOE11714788	1							Spring washer		
15	VOE11714789	1							Nut		
16		1							Injection Pump		See ref 236/100
17		1							Timing gear casing		See ref 215/100
18		1							Cylinder Block		See ref 212/100
19	VOE11714839	1							Gear		
20	VOE11714752	2							Ball bearing		

Date: 2013/10/24	Image id: 1018191	Catalogue: 20166	Model: MC110B
Brand: Volvo	Serial: 71000-	Group/Section: 214/110	Title: Valve mechanism



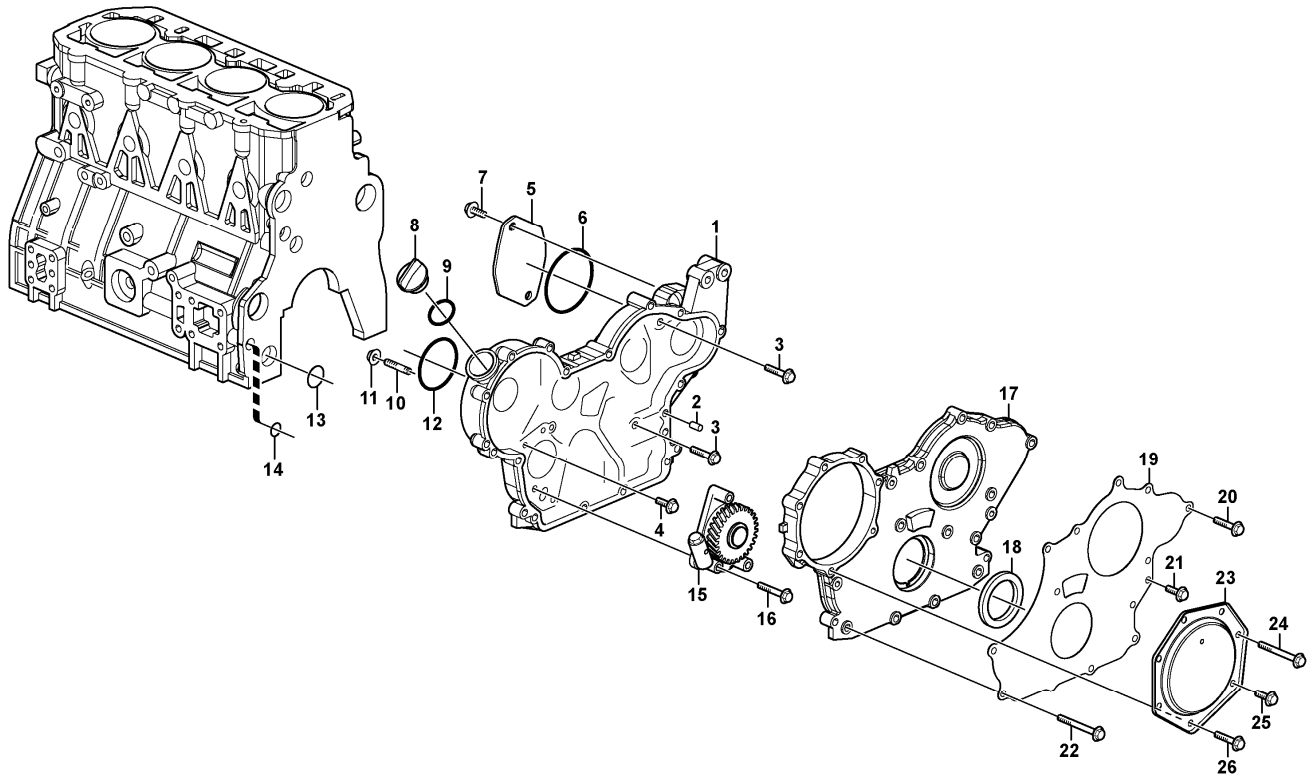
Section option	Kit	Option description
VOE11858380		Engine TIER 2A, INTERNATIONAL MARKET
VOE11858381		Engine TIER 2A WITH HF, INTERNATIONAL MARKET
VOE15635459		Engine TIER 2A, INTERNATIONAL MARKET
VOE15635466		Engine TIER 2A HF, INTERNATIONAL MARKET

Q1-Q5	Option	Option description	
Q1 11858380	VOE11858380	Engine TIER 2A, INTERNATIONAL MARKET	
Q2 11858381	VOE11858381	Engine TIER 2A WITH HF, INTERNATIONAL MARKET	

Pos	Part	Q1	Q2	Q3	Q4	Q5	PS	Kit	Description	Option(s)	Remark
1	VOE11714784	1							Camshaft		
1	VOE11714836		1						Camshaft		
2		1	1				NS		•Key		
3		1	1				NS		•Thrust Washer		
4		1					NS		•Camshaft Gear		

4			1				NS		•Gear		
5	VOE11714372	2	2						Bolt		
6	VOE11714485	8	8						Tappet		
7	VOE14521559	8	8						Push rod		
8	VOE11714785	1							Gear		
8	VOE11714838		1						Gear		
9	VOE14521561	1	1						Shaft		
10	VOE11714373	3	3						Bolt		
11	VOE11714787	1	1						Gear		
12	VOE14521562	4	4						Bolt		
13	VOE14525395	1	1						Flange		
14	VOE11714788	1	1						Spring washer		
15	VOE11714789	1	1						Nut		
16		1	1						Injection Pump		See ref 236/110
17		1	1						Timing gear casing		See ref 215/110
18		1	1						Cylinder Block		See ref 212/110
19	VOE11714839		1						Gear		
20			2						Ball Bearing		See ref 215/110

Date: 2013/10/24	Image id: 1018111	Catalogue: 20166	Model: MC110B
Brand: Volvo	Serial: 71000-	Group/Section: 215/100	Title: Timing gear casing and gears



Volvo Construction
Equipment
1018111

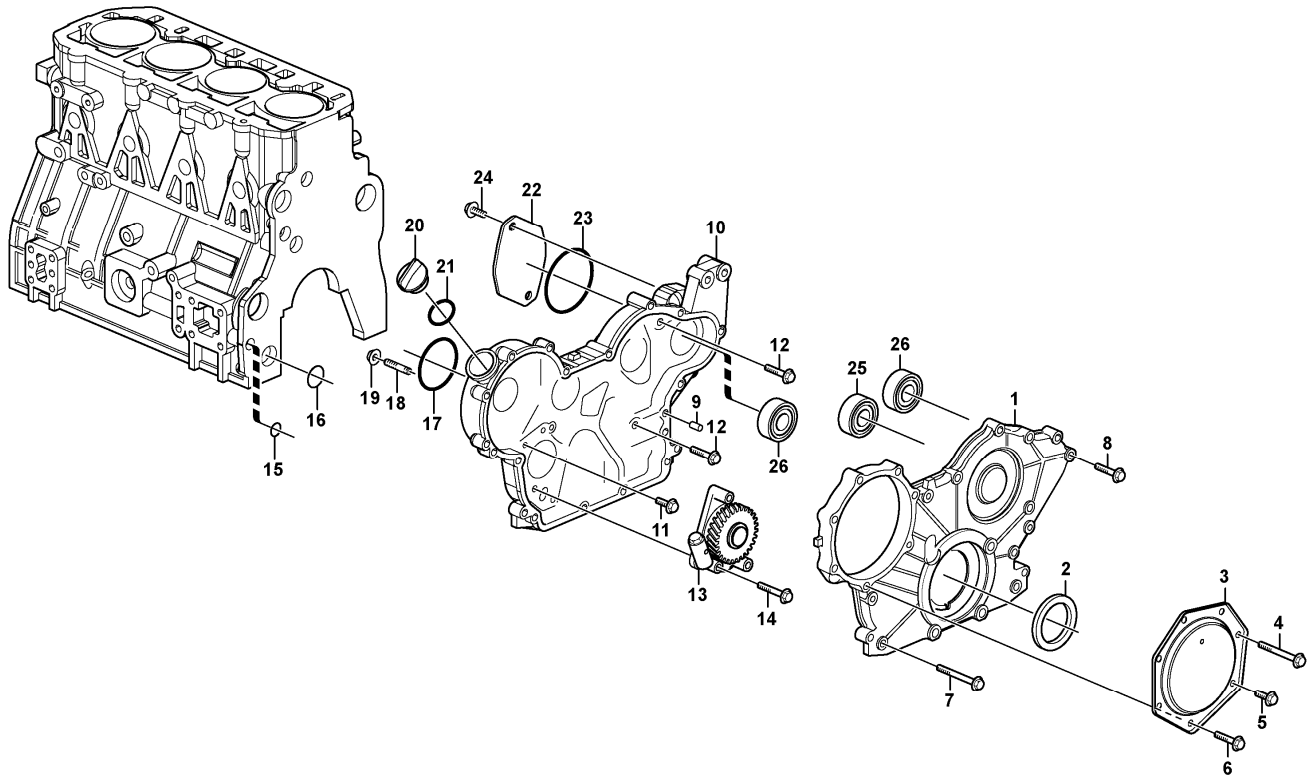
Section option	Kit	Option description
VOE11852931		Engine
VOE11852932		Engine
VOE11858384		Engine TIER 3, US & EU MARKET
VOE11858385		Engine TIER 3 WITH HF, US & EU MARKET

Q1-Q5	Option	Option description
Q1 11858384 11858385	VOE11858384	Engine TIER 3, US & EU MARKET

Pos	Part	Q1	Q2	Q3	Q4	Q5	PS	Kit	Description	Option(s)	Remark
1	VOE15101972	1							Case		
2	VOE11714376	4							Pin		
3	VOE11714388	3							Bolt		
4	VOE11714372	1							Bolt		
5	VOE11714754	1							Cover		

6	VOE11714346	1							O-ring		
7	VOE11714755	2							Screw		
8	VOE11714383	1							Cap		
9	VOE11714371	1							O-ring		
10	VOE11714749	4							Stud		
11	VOE14521513	4							Nut		
12	VOE14521512	1							Wrapping		
13	VOE11714738	1							O-ring		
14	VOE11714739	1							O-ring		
15	VOE11714750	1							Lubricating pump	oil	
16	VOE11714377	3							Bolt		
17	VOE14521507	1							Housing		
18	VOE14514867	1							•Sealing		
19	VOE14521515	1							Cover		
20	VOE11714388	5							Bolt		
21	VOE11714372	3							Bolt		
22	VOE14521510	6							Bolt		
23	VOE11714746	1							Cover		
24	VOE14521510	1							Bolt		
25	VOE11714372	1							Bolt		
26	VOE11714388	5							Bolt		

Date: 2013/10/24	Image id: 1018194	Catalogue: 20166	Model: MC110B
Brand: Volvo	Serial: 71000-	Group/Section: 215/110	Title: Timing gear casing and gears



Volvo Construction
Equipment
1018194

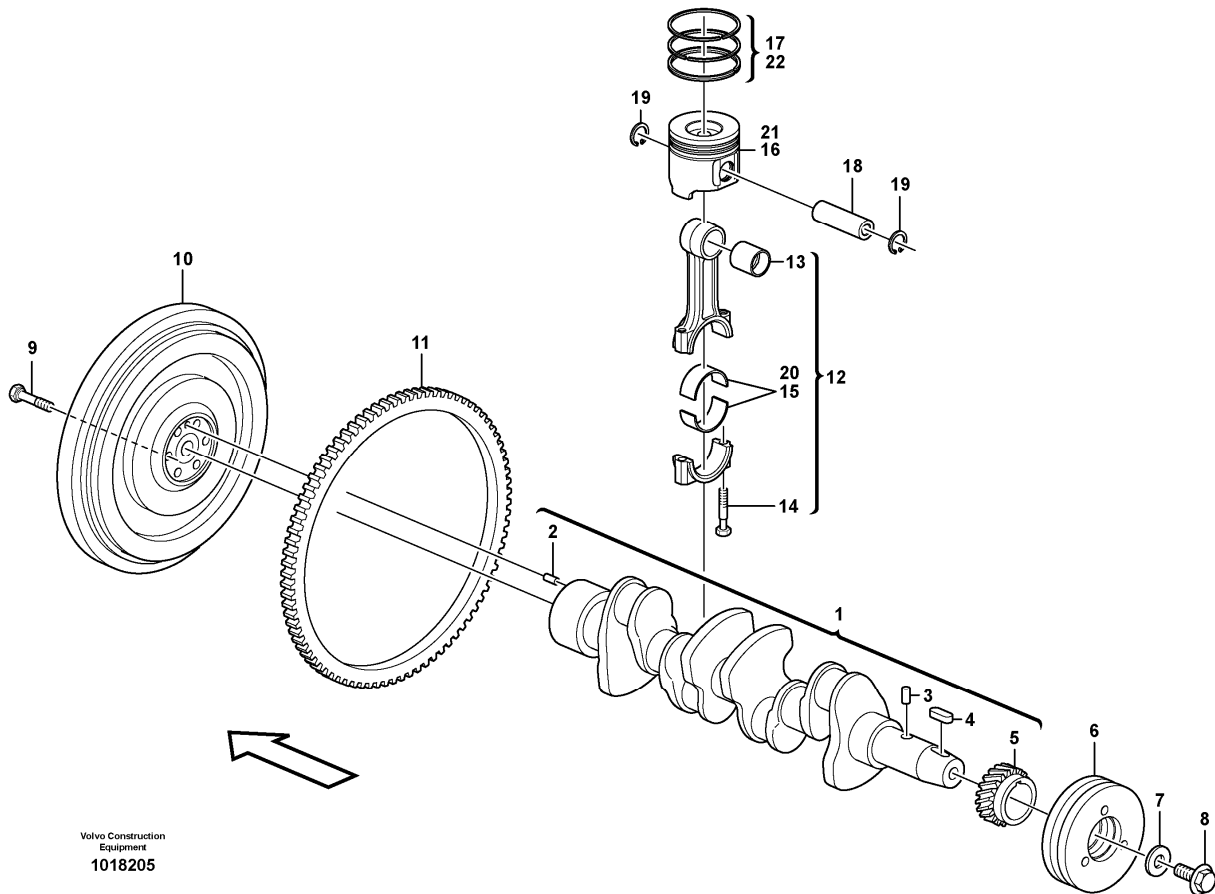
Section option	Kit	Option description
VOE11858380		Engine TIER 2A, INTERNATIONAL MARKET
VOE11858381		Engine TIER 2A WITH HF, INTERNATIONAL MARKET
VOE15635459		Engine TIER 2A, INTERNATIONAL MARKET
VOE15635466		Engine TIER 2A HF, INTERNATIONAL MARKET

Q1-Q5	Option	Option description	
Q1 11858380	VOE11858380	Engine TIER 2A, INTERNATIONAL MARKET	
Q2 11858381	VOE11858381	Engine TIER 2A WITH HF, INTERNATIONAL MARKET	

Pos	Part	Q1	Q2	Q3	Q4	Q5	PS	Kit	Description	Option(s)	Remark
1	VOE11714744	1	1						Timing gear casing		
2	VOE11714745	1	1						•Sealing		
3	VOE11714746	1	1						Cover		
4	VOE14521510	1	1						Bolt		
5	VOE11714372	1	1						Bolt		

6	VOE11714487	5	5						Bolt		
7	VOE14521510	6	6						Bolt		
8	VOE11714487	5	5						Bolt		
9	VOE11714376	4	4						Pin		
10	VOE11715432	1	1						Timing gear casing		
11	VOE11714372	1	1						Bolt		
12	VOE11714388	3	3						Bolt		
13	VOE11714750	1	1						Lubricating oil pump		
14	VOE11714377	3	3						Bolt		
15	VOE11714739	1	1						O-ring		
16	VOE11714738	1	1						O-ring		
17	VOE14521512	1	1						Wrapping		
18	VOE11714749	4	4						Stud		
19	VOE14521513	4	4						Nut		
20	VOE11714383	1	1						Cap		
21	VOE11714371	1	1						O-ring		
22	VOE11714754	1	1						Cover		
23	VOE11714346	1	1						O-ring		
24	VOE11714755	2	2						Screw		
25	VOE11714753	1	1						Bearing		
26	VOE11714752		2						Ball bearing		

Date: 2013/10/24	Image id: 1018205	Catalogue: 20166	Model: MC110B
Brand: Volvo	Serial: 71000-	Group/Section: 216/100	Title: Crankshaft and related parts



Volvo Construction
Equipment
1018205

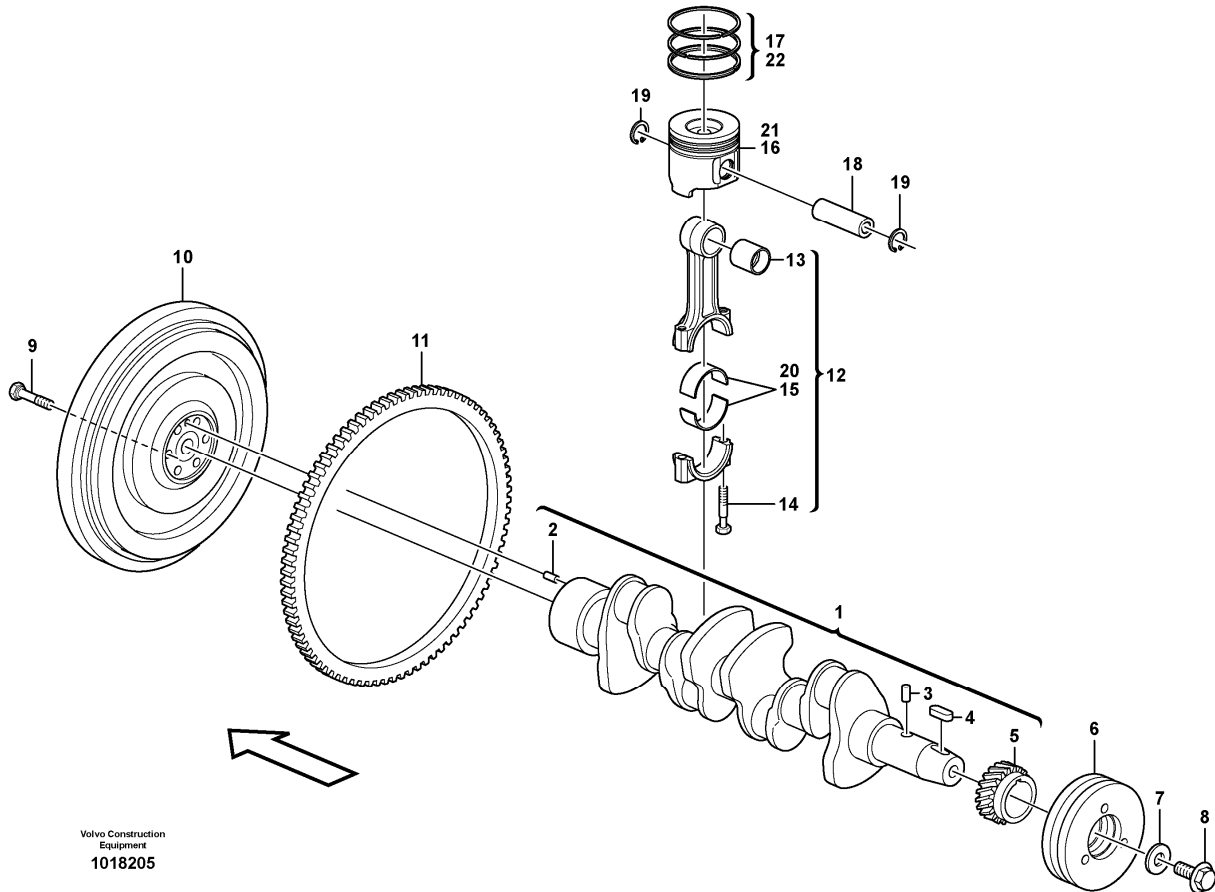
Section option	Kit	Option description
VOE11852931		Engine
VOE11852932		Engine
VOE11858384		Engine TIER 3, US & EU MARKET
VOE11858385		Engine TIER 3 WITH HF, US & EU MARKET

Q1-Q5	Option	Option description
Q1 11858384 11858385	VOE11858384	Engine TIER 3, US & EU MARKET

Pos	Part	Q1	Q2	Q3	Q4	Q5	PS	Kit	Description	Option(s)	Remark
1	VOE11714843	1							Crankshaft		
2	VOE11714792	1							•Guide pin		
3	VOE11714791	1							•Guide pin		
4	VOE11714468	1							•Key		
5	VOE11714844	1							•Crankshaft gear		

6	VOE14517628	1							Pulley		
7	VOE14509381	1							Washer		
8	VOE14517969	1							Bolt		
9	VOE11714793	6							Screw		
10	VOE11714794	1							Flywheel		
11	VOE11714795	1							•Gear ring		
12	VOE11714799	4							Connecting rod		
13	VOE11714800	4							•Bushing		
14	VOE11714801	8							•Screw		
15	VOE15057777	4							•Big-end bearing kit		STD SZ
16	VOE15102318	4							Piston		STD SZ
17	VOE15065408	4							•Piston ring kit		STD SZ
18	VOE11714797	4							Gudgeon pin		
19	VOE11714798	8							Lock ring		
20	VOE15057790	4							Big-end bearing kit		0,25 mm O SZ
21	VOE15102319	4							Piston		0,25 MM O SZ
22	VOE15065414	4							Piston ring kit		0,25 MM O SZ

Date: 2013/10/24	Image id: 1018205	Catalogue: 20166	Model: MC110B
Brand: Volvo	Serial: 71000-	Group/Section: 216/110	Title: Crankshaft and related parts



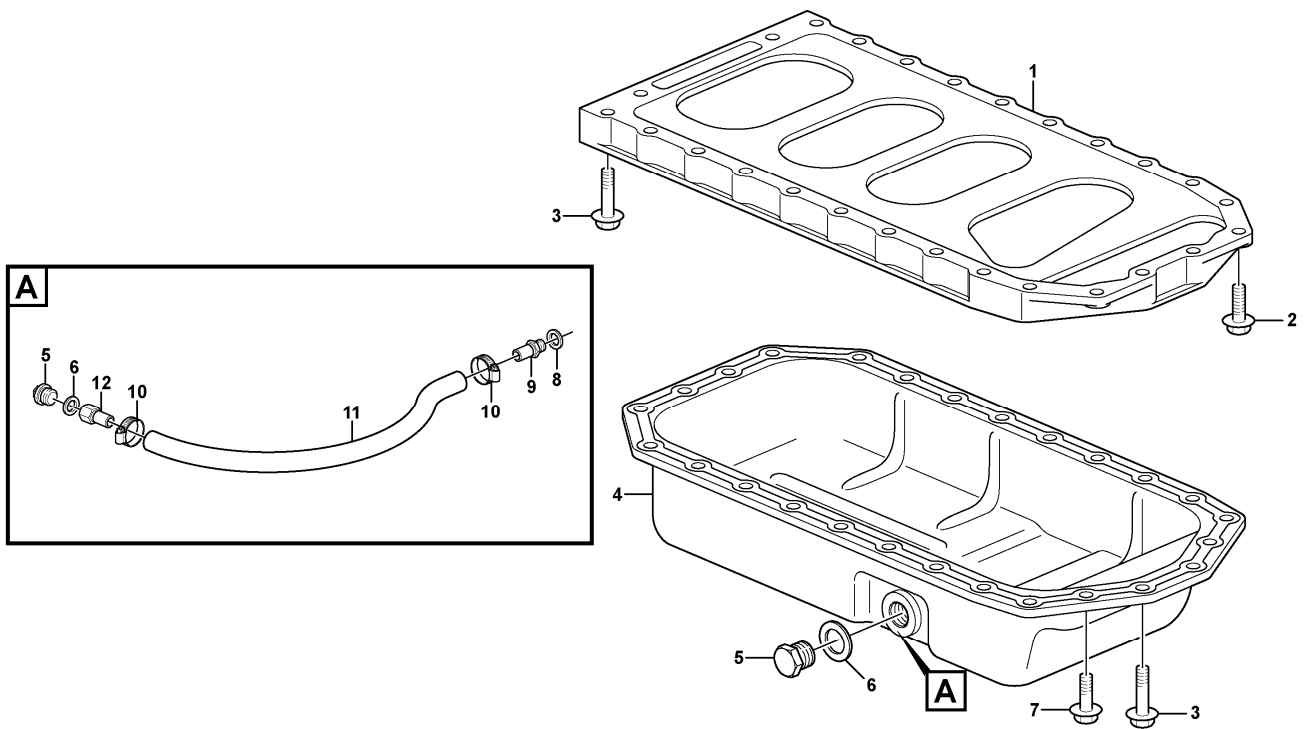
Section option	Kit	Option description
VOE11858380		Engine TIER 2A, INTERNATIONAL MARKET
VOE11858381		Engine TIER 2A WITH HF, INTERNATIONAL MARKET
VOE15635459		Engine TIER 2A, INTERNATIONAL MARKET
VOE15635466		Engine TIER 2A HF, INTERNATIONAL MARKET

Q1-Q5	Option	Option description	
Q1 11858380	VOE11858380	Engine TIER 2A, INTERNATIONAL MARKET	
Q2 11858381	VOE11858381	Engine TIER 2A WITH HF, INTERNATIONAL MARKET	

Pos	Part	Q1	Q2	Q3	Q4	Q5	PS	Kit	Description	Option(s)	Remark
1	VOE11714842	1							Crankshaft		
1	VOE11714843		1						Crankshaft		
2	VOE11714792	1	1						•Guide pin		
3	VOE11714791	1	1						•Guide pin		
4	VOE11714468	1	1						•Key		

5	VOE11714790	1							•Crankshaft gear		
5	VOE11714844		1						•Crankshaft gear		
6	VOE11714849	1	1						Pulley		
7	VOE11714848	1	1						Washer		
8	VOE11713690	1	1						Bolt		
9	VOE11714793	6	6						Screw		
10	VOE11714794	1	1						Flywheel		
11	VOE11714795	1	1						•Gear ring		
12	VOE11714799	4	4						Connecting rod		
13	VOE11714800	4	4						•Bushing		
14	VOE11714801	8	8						•Screw		
15	VOE11714802	4	4						•Piston Bearing		STD SZ
16	VOE11714846	4	4						•Piston		STD SZ
17	VOE11714796	4	4						•Piston ring kit		STD SZ
18	VOE11714797	4	4						Gudgeon pin		
19	VOE11714798	8	8						Lock ring		
20	VOE11714803	4	4						Piston Bearing		0,25 mm O SZ
21	VOE11714847	4	4						Piston		0,25 MM O SZ
22	VOE11714804	4	4						Piston		0,25 MM O SZ

Date: 2013/10/24	Image id: 1015846	Catalogue: 20166	Model: MC110B
Brand: Volvo	Serial: 71000-	Group/Section: 217/100	Title: Oil sump



Volvo Construction
Equipment
1015846

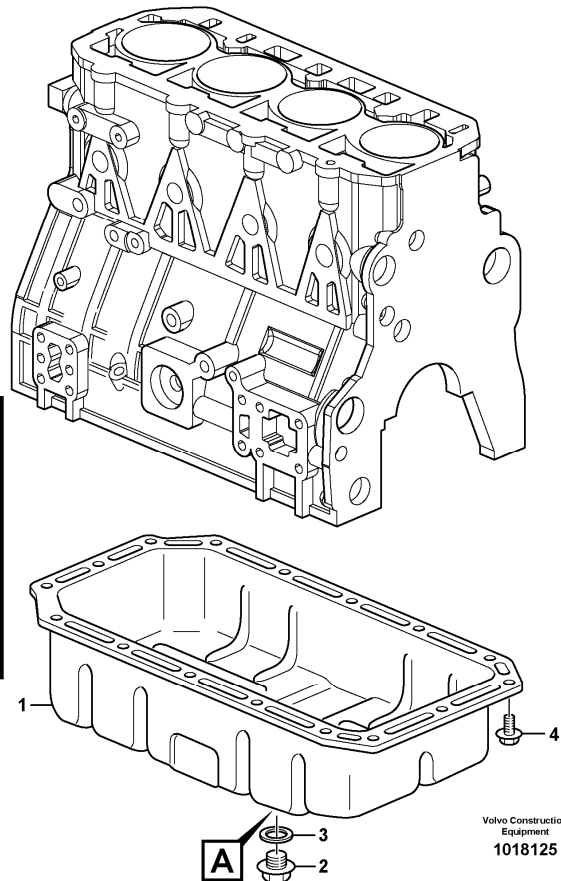
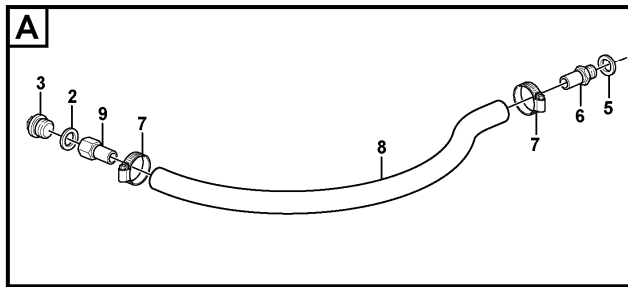
Section option	Kit	Option description
VOE11840379		Oil drain cplt. kit
VOE11852931		Engine
VOE11852932		Engine
VOE11858384		Engine TIER 3, US & EU MARKET
VOE11858385		Engine TIER 3 WITH HF, US & EU MARKET

Q1-Q5	Option	Option description	
Q1 11858384 11858385	VOE11858384	Engine TIER 3, US & EU MARKET	
Q2 11840379	VOE11840379	Oil drain cplt. kit	

Pos	Part	Q1	Q2	Q3	Q4	Q5	PS	Kit	Description	Option(s)	Remark
1	VOE15101975	1							Oil sump		
2	VOE11713638	1	1						•Drain plug		
3	VOE11713639	1	1						•Sealing		

4	VOE11714490	16							Bolt		
5	VOE948885		1						Plane gasket		
6	VOE948931		1						Nipple		
7	VOE943475		2						Hose clamp		
8	VOE13961193		REQ						Hydraulic hose		L = 500 MM
9	VOE11852124		1						Nipple		

Date: 2013/10/24	Image id: 1018125	Catalogue: 20166	Model: MC110B
Brand: Volvo	Serial: 71000-	Group/Section: 217/110	Title: Oil sump



Volvo Construction
Equipment
1018125

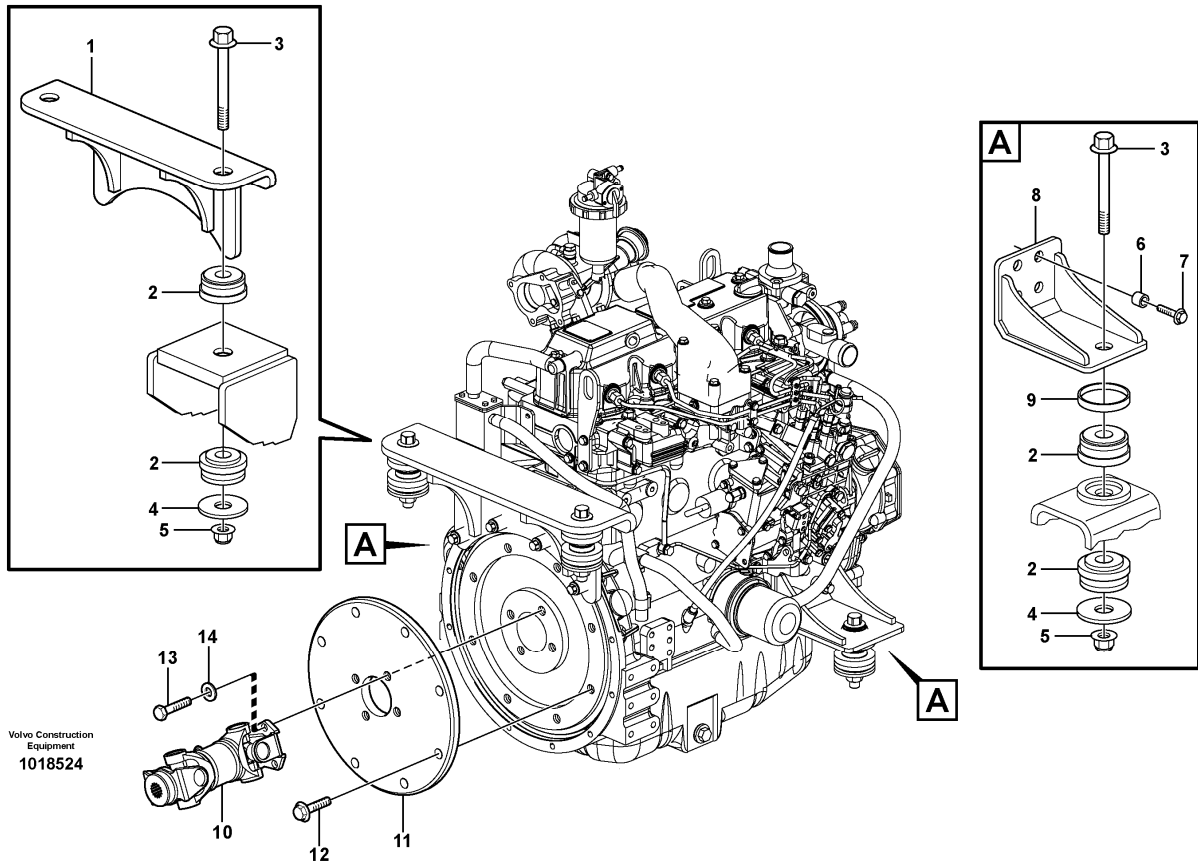
Section option	Kit	Option description
VOE11840379		Oil drain cplt. kit
VOE11858380		Engine TIER 2A, INTERNATIONAL MARKET
VOE11858381		Engine TIER 2A WITH HF, INTERNATIONAL MARKET
VOE15635459		Engine TIER 2A, INTERNATIONAL MARKET
VOE15635466		Engine TIER 2A HF, INTERNATIONAL MARKET

Q1-Q5	Option	Option description	
Q1 11858380 11858381	VOE11858380	Engine TIER 2A, INTERNATIONAL MARKET	
Q2 11840379	VOE11840379	Oil drain cplt. kit	

Pos	Part	Q1	Q2	Q3	Q4	Q5	PS	Kit	Description	Option(s)	Remark
1	VOE11714767	1							Oil pan		
2	VOE11713638	1	1						•Drain plug		
3	VOE11713639	1	1						•Sealing		

4	VOE11714490	16							Bolt		
5	VOE948885		1						Plane gasket		
6	VOE948931		1						Nipple		
7	VOE943475		2						Hose clamp		
8	VOE13961193		REQ						Hydraulic hose		L = 500 MM
9	VOE11852124		1						Nipple		

Date: 2013/10/24	Image id: 1018524	Catalogue: 20166	Model: MC110B
Brand: Volvo	Serial: 71000-	Group/Section: 218/100	Title: Engine mounting



Section option	Kit	Option description
VOE11858004		Skidsteer loader MC110B

Pos	Part	Q1	Q2	Q3	Q4	Q5	PS	Kit	Description	Option(s)	Remark
1	VOE15634049	1							Bracket		
2	VOE11852528	8							Mount		
3	VOE968592	4							Flange screw		
4	VOE11850356	4							Washer		
5	VOE13967934	4							Flange lock nut		
6	VOE843028	12							Spacer sleeve		
7	VOE968163	12							Flange screw		
8	VOE11850481	2					NS		Bracket		
9	VOE11840942	1							Ball joint		
10	VOE11853078	1					NS		Plate		
11	VOE946472	8							Flange screw		
12	VOE946441	4							Flange screw		

Thank you so much for reading.
Please click the “Buy Now!”
button below to download the
complete manual.



After you pay.

You can download the most
perfect and complete manual in
the world immediately.

Our support email:

ebooklibonline@outlook.com