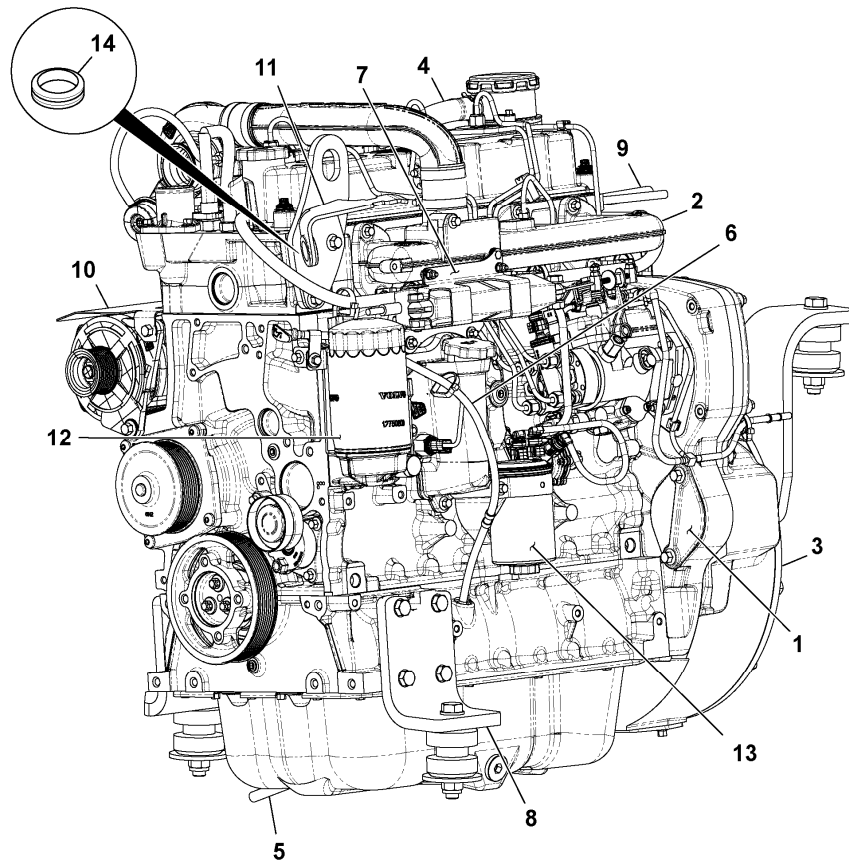


Date: <b>2013/10/22</b>	Image id: <b>1058941</b>	Catalogue: <b>20606</b>	Model: <b>MC110C</b>
Brand: <b>Volvo</b>	Serial: <b>1-</b>	Group/Section: <b>210/100</b>	Title: <b>Engine 63KW, MC110C, MC115C, MC125C, MCT110C, MCT125C</b>

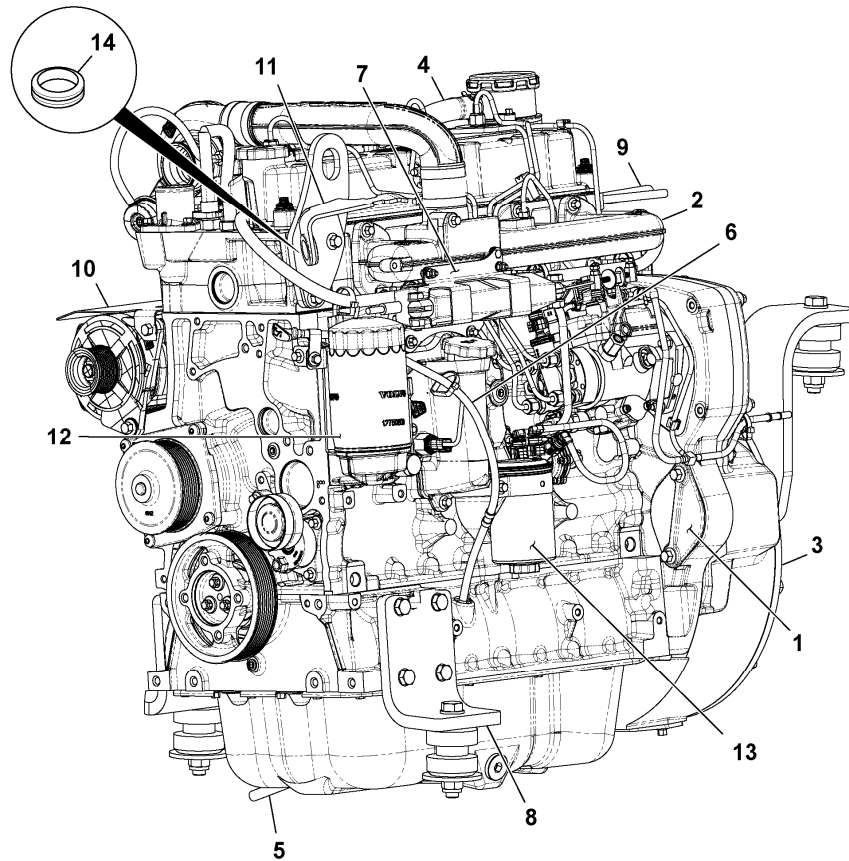


Volvo Construction  
Equipment  
1058941

Pos	Part	Q1	Q2	Q3	Q4	Q5	PS	Kit	Description	Option(s)	Remark
1		1							Plate		See ref 210/400
2	VOE16213422	1							Engine unit		63KW See ref 210/250
3		1							Flywheel		See ref 216/250
4		1							Breather Pipe		See ref 212/100
5		1							Oil Draining		See ref 217/200
6		1							Dipstick		See ref 217/150
7		1							Actuator		See ref 272/100
8		1							Engine Mounting		See ref 218/100
9		1							Engine Harness		See ref 371/400
10		1							Alternator		See ref 321/150
11	VOE17209567	1							Retaining plate		
12	VOE12750600	1							Oil filter		
13		1							Decal		



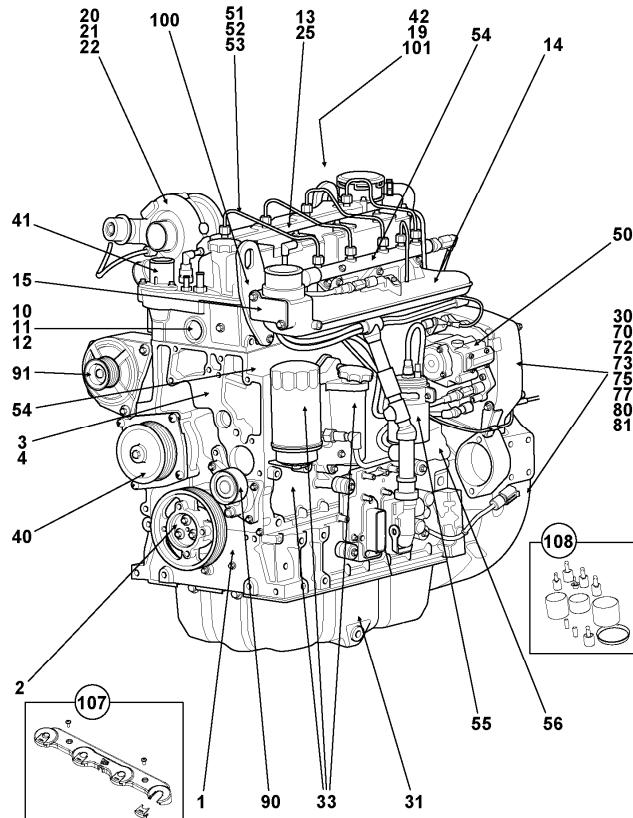
Date: <b>2013/10/22</b>	Image id: <b>1058941</b>	Catalogue: <b>20606</b>	Model: <b>MC110C</b>
Brand: <b>Volvo</b>	Serial: <b>1-</b>	Group/Section: <b>210/150</b>	Title: <b>Engine 68KW, MC135C, MC155C, MCT135C, MCT145C</b>



Volvo Construction  
Equipment  
1058941

Pos	Part	Q1	Q2	Q3	Q4	Q5	PS	Kit	Description	Option(s)	Remark
1		1							Plate		See ref 210/400
2	VOE16213425	1							Engine unit		68KW See ref 210/300
3		1							Flywheel		See ref 216/250
4		1							Breather Pipe		See ref 212/100
5		1							Oil Draining		See ref 217/200
6		1							Dipstick		See ref 217/150
7		1							Actuator		See ref 272/100
8		1							Engine Mounting		See ref 218/100
9		1							Engine Harness		See ref 371/400
10		1							Alternator		See ref 321/150
11	VOE17209567	1							Retaining plate		
12	VOE12750600	1							Oil filter		
13		1							Decal		
14	VOE17205118	1							Plug tap		

Date: <b>2013/10/22</b>	Image id: <b>1058865</b>	Catalogue: <b>20606</b>	Model: <b>MC110C</b>
Brand: <b>Volvo</b>	Serial: <b>1-</b>	Group/Section: <b>210/250</b>	Title: <b>Engine 63KW, MC110C, MC115C, MC125C, MCT110C, MCT125C</b>

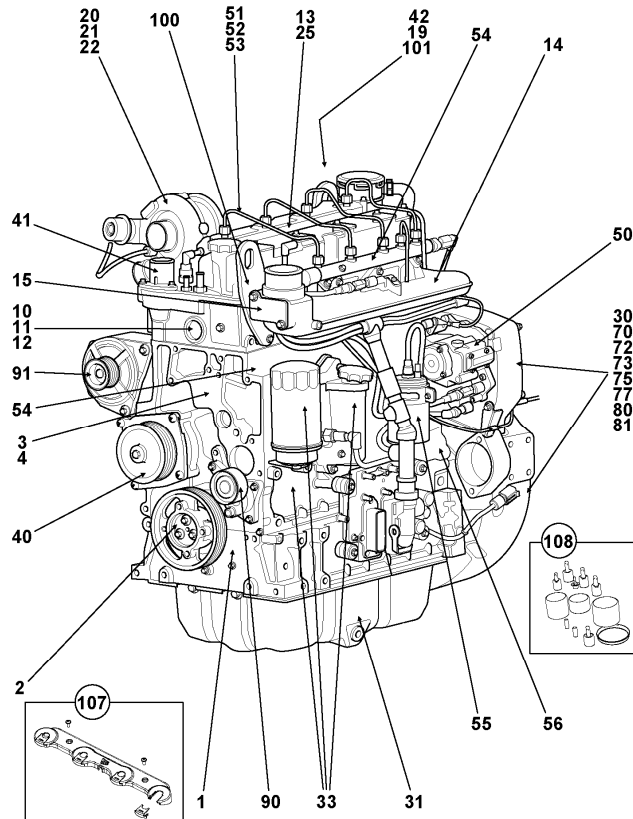


Volvo Construction  
Equipment  
1058865

Pos	Part	Q1	Q2	Q3	Q4	Q5	PS	Kit	Description	Option(s)	Remark
1		1							Block		See ref 212/150
2		1							Crankshaft		See ref 216/100
3		4							Piston		See ref 213/100
4		1							Camshaft		See ref 215/100
10		1							Cylinder		See ref 211/100
11		8							Inlet valve		See ref 211/150
12		8							Exhaust Valve		See ref 211/200
13		1							Rocker shaft		See ref 211/250
14		1							Manifold		See ref 251/100
15		1							Plate		INTAKE HEATER See ref 251/150
19		1							Exhaust Manifold		See ref 251/200
20		1							Turbocharger		See ref 255/150

21		1							Feed Pipe		TURBO 255/200	See ref
22		1							Drain		TURBO 255/250	See ref
25		1							Valve Cover			See ref 211/300
30		1							Oil Pump			See ref 220/100
31		1							Sump			See ref 217/300
33		1							Oil Cooler			See ref 223/100
40		1							Water Pump			See ref 262/100
41		1							Thermostat Hous			See ref 262/150
42		1							Connecting Pipe		WATER INLET 262/250	See ref
50		1							Fuel pump			See ref 233/150
51		4							Injector			See ref 237/100
52		1							Fuel pipes			See ref 235/100
53		1							Fuel pipes		LOW PRESSURE ref 235/250	See ref
54		1							Cold start device		SW	See ref 212/200
55		1							Fuel Filter			See ref 233/250
56		1							Feed Pump			See ref 233/200
70		1							Timing gear housing			See ref 216/200
72		1							Flywheel Housin			See ref 216/350
73		1							Cover Plate		FLYWHEEL See ref 216/400	ACCESS
75		1							Flywheel			See ref 216/450
77		1							Plug			See ref 216/650
80		1							Plug Blank			See ref 216/550
81		1							Cover Plate			See ref 216/600
90		1					NS		Belt Tensioner			See ref 263/450
91		1							Alternator			See ref 321/100
100		1							Lifting eye			See ref 210/350
101		1							Starter Motor			See ref 331/100
105		1							Label			
107		1							Cover Plate		INJECTOR 237/200	See ref

Date: <b>2013/10/22</b>	Image id: <b>1058865</b>	Catalogue: <b>20606</b>	Model: <b>MC110C</b>
Brand: <b>Volvo</b>	Serial: <b>1-</b>	Group/Section: <b>210/300</b>	Title: <b>Engine 68KW, MC135C, MC155C, MCT135C, MCT145C</b>

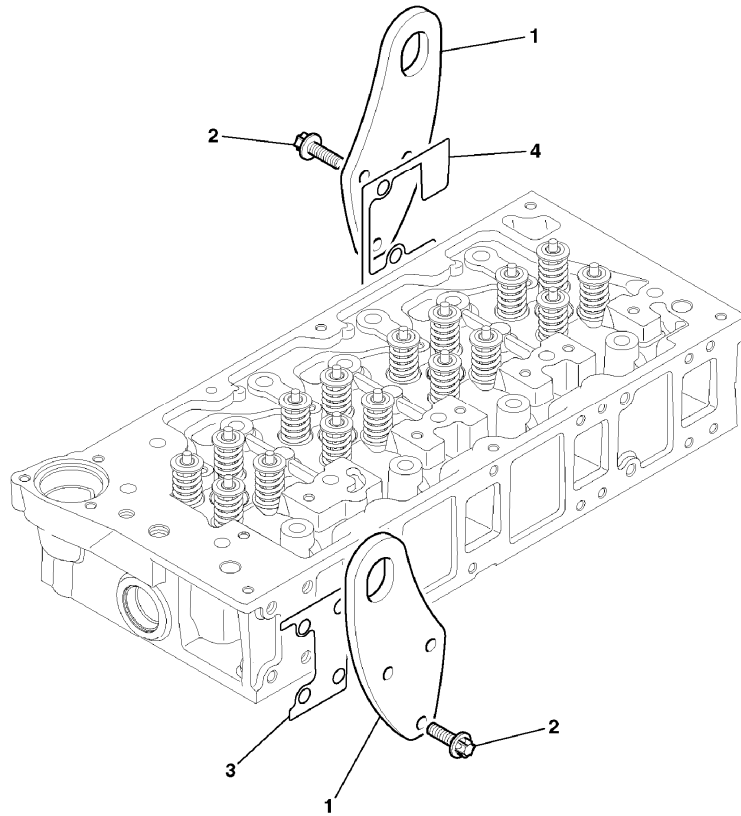


Volvo Construction  
Equipment  
1058865

Pos	Part	Q1	Q2	Q3	Q4	Q5	PS	Kit	Description	Option(s)	Remark
1		1							Block		See ref 212/150
2		1							Crankshaft		See ref 216/100
3		4							Piston		See ref 213/100
4		1							Camshaft		See ref 215/100
10		1							Cylinder		See ref 211/100
11		8							Inlet valve		See ref 211/150
12		8							Exhaust Valve		See ref 211/200
13		1							Rocker shaft		See ref 211/250
14		1							Manifold		See ref 251/100
15		1							Plate		INTAKE HEATER See ref 251/150
19		1							Exhaust Manifold		See ref 251/200
20		1							Turbocharger		See ref 255/100
21		1							Feed Pipe		TURBO See ref 255/200

22		1						Drain		TURBO 255/250	See ref
25		1						Valve Cover			See ref 211/300
30		1						Oil Pump			See ref 220/100
31		1						Sump			See ref 217/300
33		1						Oil Cooler			See ref 223/100
40		1						Water Pump			See ref 262/100
41		1						Thermostat Hous			See ref 262/150
42		1						Connecting Pipe		WATER INLET	See ref 262/250
50		1						Fuel pump			See ref 233/100
51		4						Injector			See ref 237/150
52		1						Fuel pipes			See ref 235/100
53		1						Fuel pipes		LOW PRESSURE	See ref 235/250
54		1						Cold start device		SW	See ref 212/200
55		1						Fuel Filter			See ref 233/250
56		1						Feed Pump			See ref 233/200
70		1						Timing gear housing			See ref 216/200
72		1						Flywheel Housin			See ref 216/350
73		1						Cover Plate		FLYWHEEL ACCESS	See ref 216/400
75		1						Flywheel			See ref 216/450
77		1						Plug			See ref 216/650
80		1						Plug Blank			See ref 216/550
81		1						Cover Plate			See ref 216/600
90		1					NS	Belt Tensioner			See ref 263/450
91		1						Alternator			See ref 321/100
100		1						Lifting eye			See ref 210/350
101		1						Starter Motor			See ref 331/100
105		1						Label			
107		1						Cover Plate		INJECTOR	See ref 237/200

Date: <b>2013/10/22</b>	Image id: <b>1059158</b>	Catalogue: <b>20606</b>	Model: <b>MC110C</b>
Brand: <b>Volvo</b>	Serial: <b>1-</b>	Group/Section: <b>210/350</b>	Title: <b>Lifting eye</b>

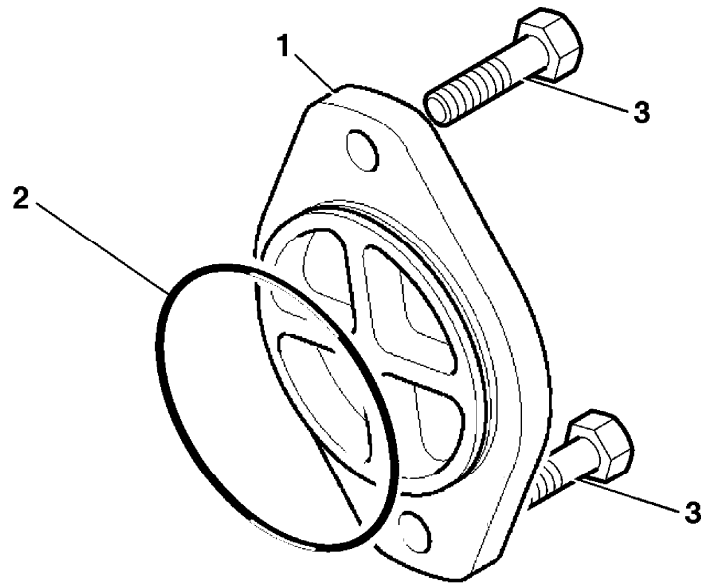


Volvo Construction  
Equipment  
1059158

Pos	Part	Q1	Q2	Q3	Q4	Q5	PS	Kit	Description	Option(s)	Remark
1	VOE16213321	2							Bracket		
2	VOE17205146	4							Bolt		
3	VOE17210070	1							Label		
4	VOE17210077	1							Label		



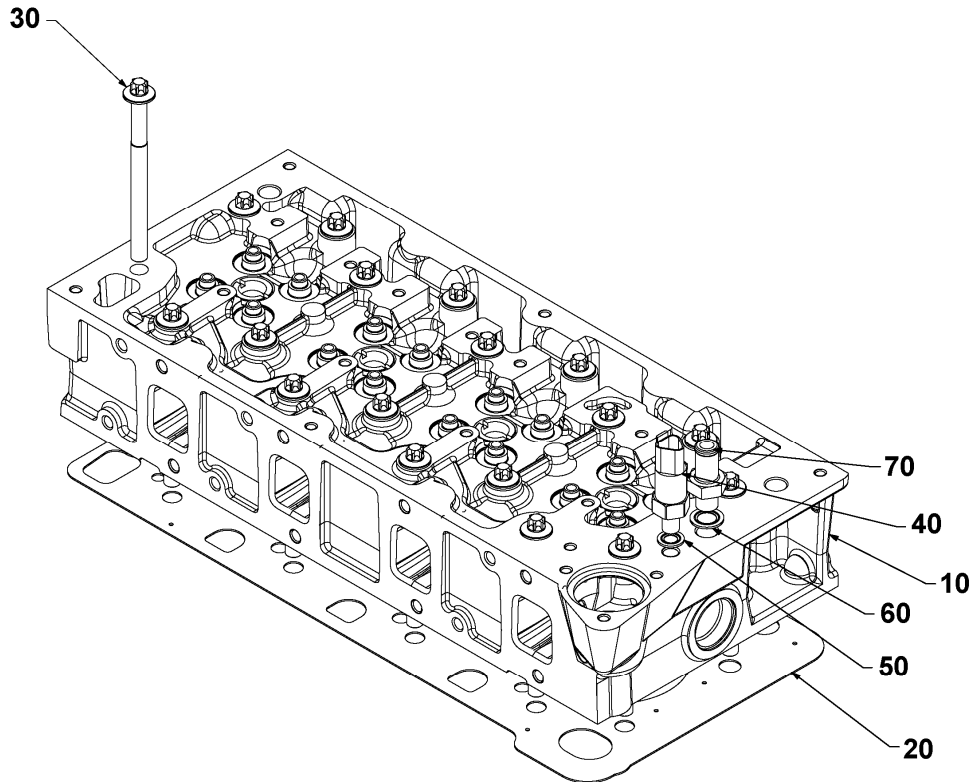
Date: <b>2013/10/22</b>	Image id: <b>1059163</b>	Catalogue: <b>20606</b>	Model: <b>MC110C</b>
Brand: <b>Volvo</b>	Serial: <b>1-</b>	Group/Section: <b>210/400</b>	Title: <b>Cover</b>



Volvo Construction  
Equipment  
1059163

Pos	Part	Q1	Q2	Q3	Q4	Q5	PS	Kit	Description	Option(s)	Remark
1	VOE17205236	1							Cover		
2	VOE16213366	1							O-ring		
3	VOE16212104	2							Bolt		

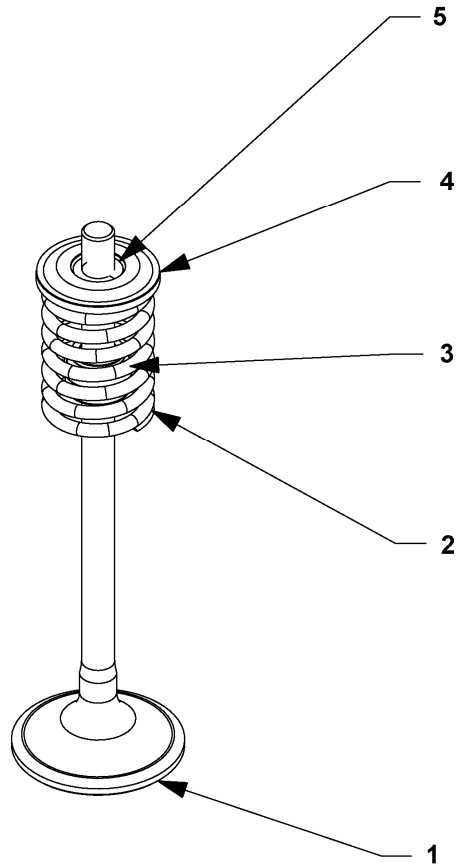
Date: <b>2013/10/22</b>	Image id: <b>1058860</b>	Catalogue: <b>20606</b>	Model: <b>MC110C</b>
Brand: <b>Volvo</b>	Serial: <b>1-</b>	Group/Section: <b>211/100</b>	Title: <b>Cylinder head</b>



Volvo Construction  
Equipment  
1058860

Pos	Part	Q1	Q2	Q3	Q4	Q5	PS	Kit	Description	Option(s)	Remark
10	VOE17209591	1					NS		Cylinder		See ref 211/350
20	VOE16213466	1							Gasket		
30	VOE17204929	18							Bolt		
40	VOE16213476	1							Switch		
50	VOE16213284	1							Sealing		
60	VOE16213157	1							Sealing		
70	VOE17204986	1							Connecting pipe		

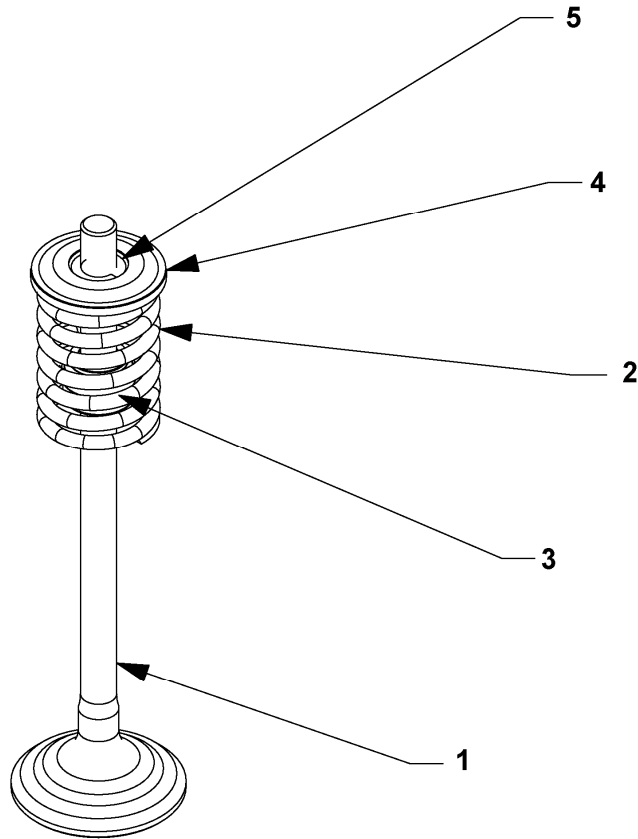
Date: <b>2013/10/22</b>	Image id: <b>1058842</b>	Catalogue: <b>20606</b>	Model: <b>MC110C</b>
Brand: <b>Volvo</b>	Serial: <b>1-</b>	Group/Section: <b>211/150</b>	Title: <b>Inlet valve</b>



Volvo Construction  
Equipment  
1058842

Pos	Part	Q1	Q2	Q3	Q4	Q5	PS	Kit	Description	Option(s)	Remark
1	VOE16213170	1							Inlet valve		
2	VOE17204942	1							Spring		
3	VOE16213276	1							Sealing		
4	VOE17205302	1							Retainer		
5	VOE16213177	2							Valve cotter		

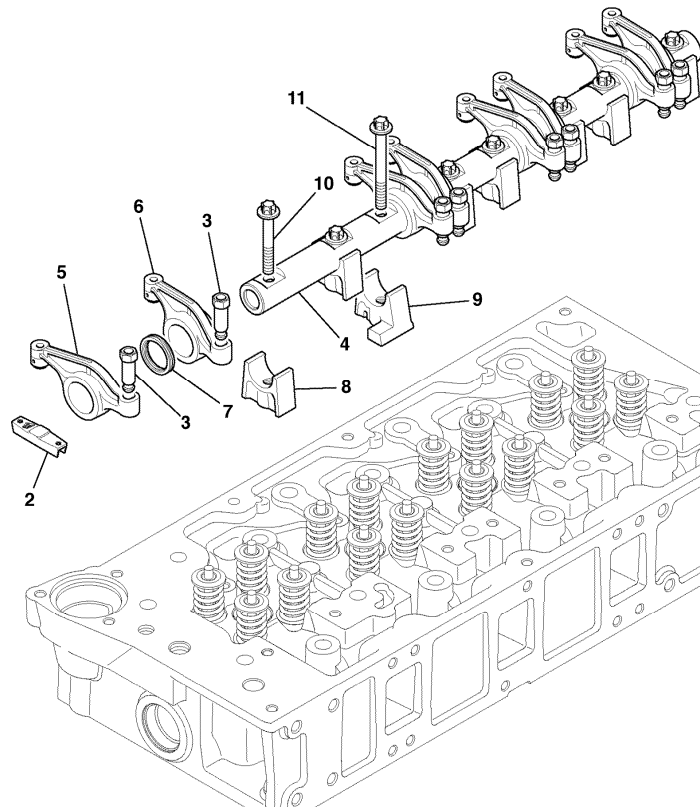
Date: <b>2013/10/22</b>	Image id: <b>1058843</b>	Catalogue: <b>20606</b>	Model: <b>MC110C</b>
Brand: <b>Volvo</b>	Serial: <b>1-</b>	Group/Section: <b>211/200</b>	Title: <b>Exhaust valve</b>



Volvo Construction  
Equipment  
1058843

Pos	Part	Q1	Q2	Q3	Q4	Q5	PS	Kit	Description	Option(s)	Remark
1	VOE16213175	1							Valve		
2	VOE17204942	1							Spring		
3	VOE16213276	1							Sealing		
4	VOE17205302	1							Retainer		
5	VOE16213177	2							Valve cotter		

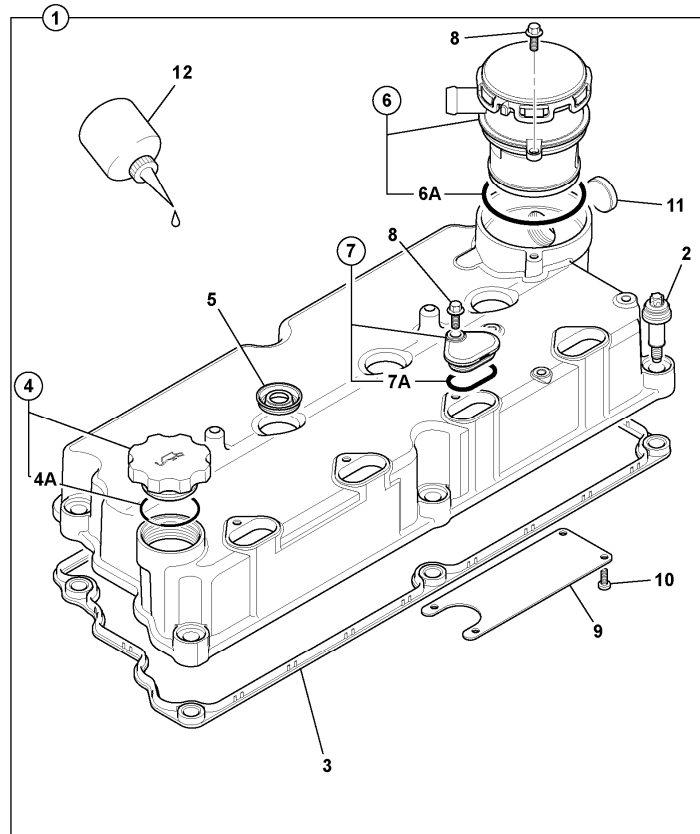
Date: <b>2013/10/22</b>	Image id: <b>1059174</b>	Catalogue: <b>20606</b>	Model: <b>MC110C</b>
Brand: <b>Volvo</b>	Serial: <b>1-</b>	Group/Section: <b>211/250</b>	Title: <b>Rocker shaft</b>



Volvo Construction  
Equipment  
1059174

Pos	Part	Q1	Q2	Q3	Q4	Q5	PS	Kit	Description	Option(s)	Remark
2	VOE17204941	8							Bracket		
3	VOE17209985	8							Adjusting pin		
4	VOE17205131	1							Rocker arm shaft		
5	VOE17204939	4							Rocker arm		
6	VOE17204957	4							Rocker arm		
7	VOE17205567	4							Spring washer		
8	VOE17204935	7							Bracket		
9	VOE17204922	1							Bracket		
10	VOE17205112	7							Bolt		
11	VOE17205115	1							Bolt		

Date: <b>2013/10/22</b>	Image id: <b>1059184</b>	Catalogue: <b>20606</b>	Model: <b>MC110C</b>
Brand: <b>Volvo</b>	Serial: <b>1-</b>	Group/Section: <b>211/300</b>	Title: <b>Valve cover MC110C, MC115C, MC125C, MCT110C, MCT125C</b>

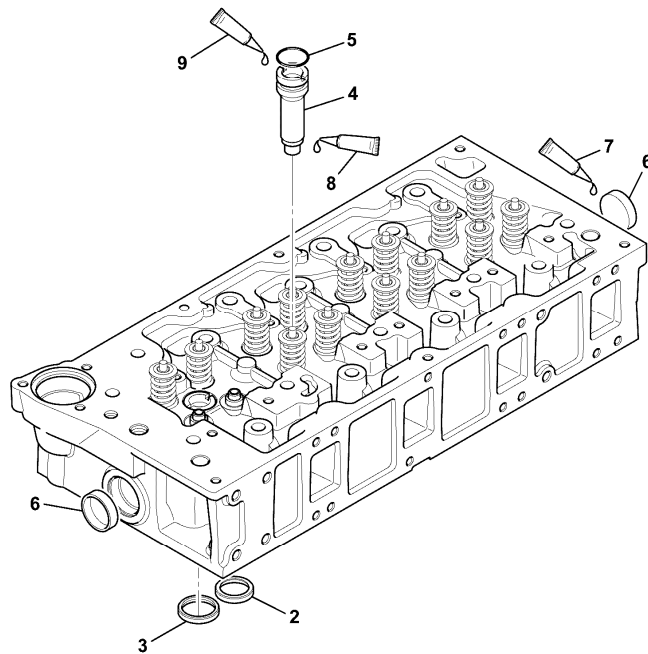


Volvo Construction  
Equipment  
1059184

Pos	Part	Q1	Q2	Q3	Q4	Q5	PS	Kit	Description	Option(s)	Remark
1	VOE17205148	1							Valve cover		
2	VOE17205036	1							•Bolt		
2	VOE17205059	1							•Bolt		
3	VOE16213277	1							•Sealing		
4	VOE16213358	1							•Cap		
4A	VOE17205492	1							••O-ring		
5	VOE16213280	4							•Sealing		
6	VOE16213188	1							•Oil separator		
6A	VOE17209580	1							••Sealing		
7		1					NS		•		
8	VOE17205253	2							•Flange screw		
9	VOE17209697	1							•Plate		
10	VOE17209665	4							•Screw		
11	VOE17205056	1							•Plug		

12	VOE17205109	1					NS		•Sealant		
----	-------------	---	--	--	--	--	----	--	----------	--	--

Date: <b>2013/10/22</b>	Image id: <b>1059186</b>	Catalogue: <b>20606</b>	Model: <b>MC110C</b>
Brand: <b>Volvo</b>	Serial: <b>1-</b>	Group/Section: <b>211/350</b>	Title: <b>Cylinder head</b>

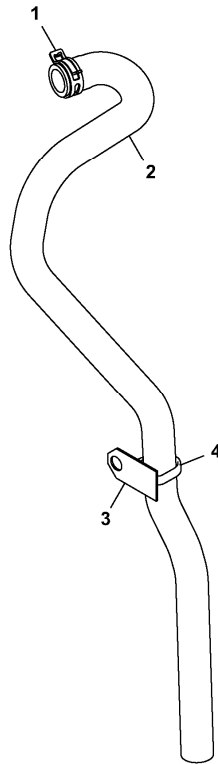


Volvo Construction  
Equipment  
1059186

Pos	Part	Q1	Q2	Q3	Q4	Q5	PS	Kit	Description	Option(s)	Remark
	VOE17209591	1					NS		Cylinder		See ref 211/100
2	VOE17205025	8							Valve seat		
3	VOE17205022	8							Valve		
4	VOE17205017	4					NS		Injector Sleeve		
5	VOE17205493	4							O-ring		
6	VOE17205001	2							Plug		
7	VOE17205391	REQ					NS		Sealant		
8	VOE17205145	REQ					NS		Adhesive		
9	VOE17205179	REQ					NS		Lubricant		



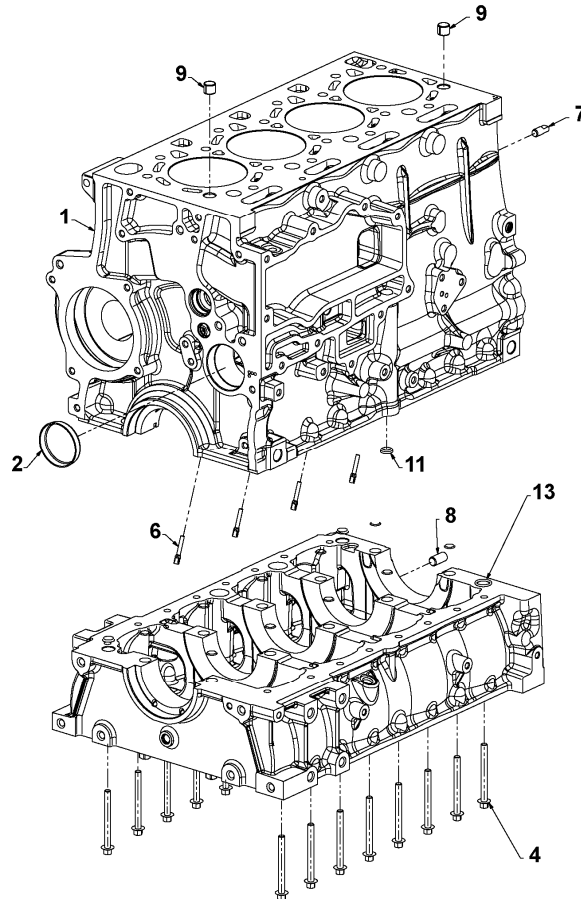
Date: <b>2013/10/22</b>	Image id: <b>1059005</b>	Catalogue: <b>20606</b>	Model: <b>MC110C</b>
Brand: <b>Volvo</b>	Serial: <b>1-</b>	Group/Section: <b>212/100</b>	Title: <b>Breather Pipe</b>



Volvo Construction  
Equipment  
1059005

Pos	Part	Q1	Q2	Q3	Q4	Q5	PS	Kit	Description	Option(s)	Remark
1	VOE17205421	1							Hose clamp		
2	VOE17209637	1							Hose		
3	VOE17205417	1							Clip		
4	VOE17205188	1							Tie straps		

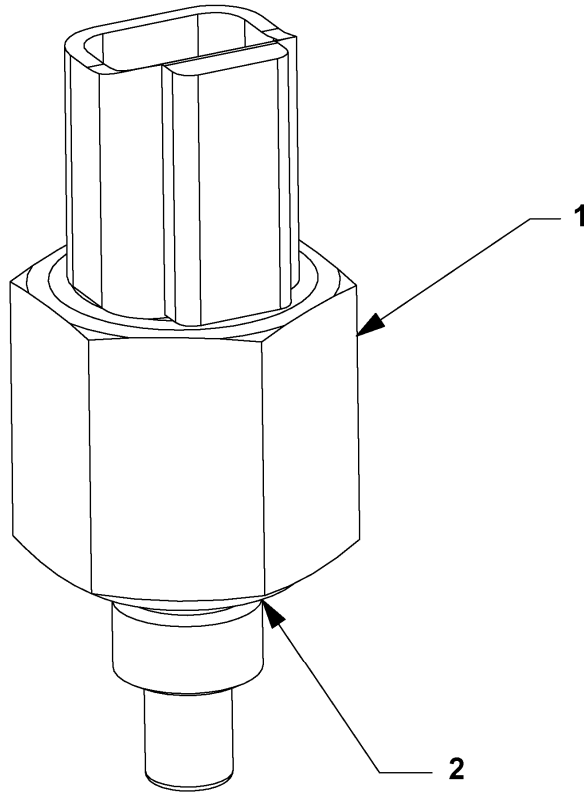
Date: <b>2013/10/22</b>	Image id: <b>1058857</b>	Catalogue: <b>20606</b>	Model: <b>MC110C</b>
Brand: <b>Volvo</b>	Serial: <b>1-</b>	Group/Section: <b>212/150</b>	Title: <b>Cylinder block</b>



Volvo Construction  
Equipment  
1058857

Pos	Part	Q1	Q2	Q3	Q4	Q5	PS	Kit	Description	Option(s)	Remark
1	VOE17205000	1							Block		See ref 212/300
2	VOE17205005	1							Plug		
4	VOE17205137	16							Bolt		
6	VOE17205051	4							Nozzle		
7	VOE17205077	1							Tab		
8	VOE17204984	1							Tab		
9	VOE17204921	2							Rubber ring		
11	VOE17205086	1							Plug		
13	VOE17205482	1							O-ring		

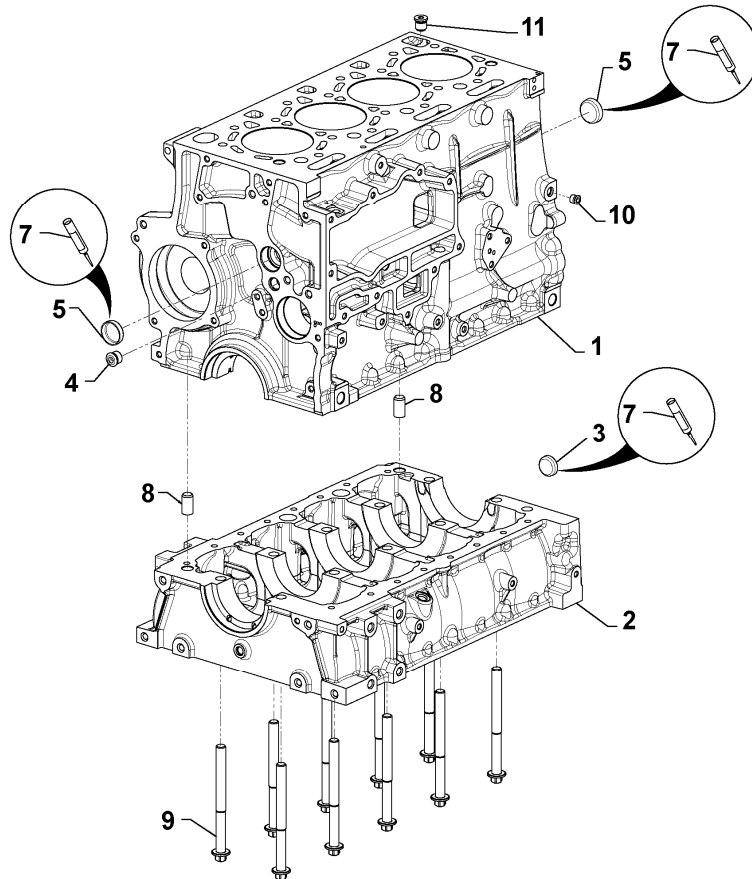
Date: <b>2013/10/22</b>	Image id: <b>1058849</b>	Catalogue: <b>20606</b>	Model: <b>MC110C</b>
Brand: <b>Volvo</b>	Serial: <b>1-</b>	Group/Section: <b>212/200</b>	Title: <b>Cold start switch</b>



Volvo Construction  
Equipment  
1058849

Pos	Part	Q1	Q2	Q3	Q4	Q5	PS	Kit	Description	Option(s)	Remark
1	VOE16213261	1							Switch		
2	VOE16213284	1							Sealing		

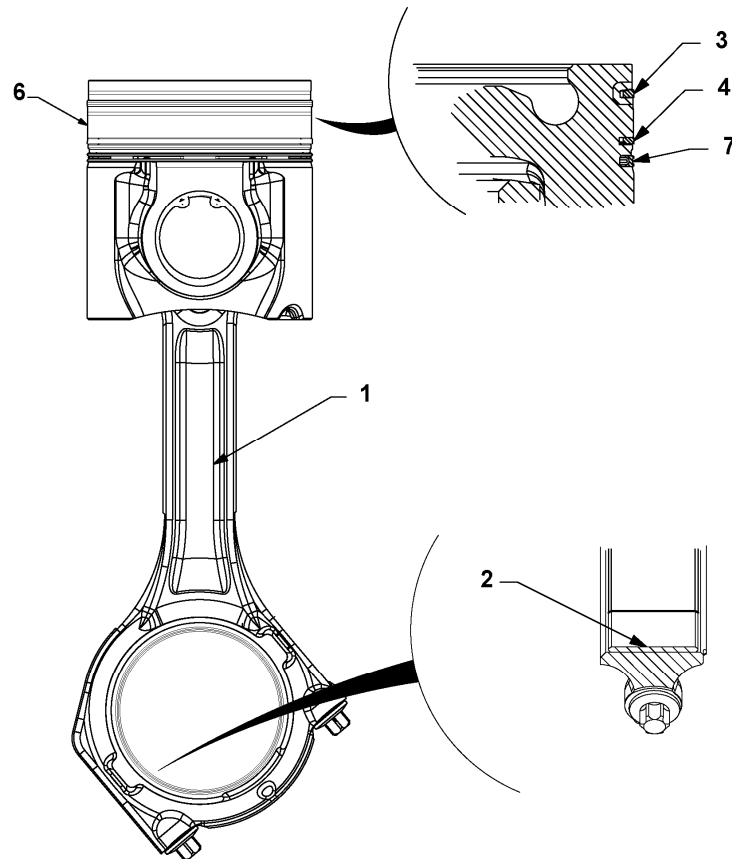
Date: <b>2013/10/22</b>	Image id: <b>1058831</b>	Catalogue: <b>20606</b>	Model: <b>MC110C</b>
Brand: <b>Volvo</b>	Serial: <b>1-</b>	Group/Section: <b>212/300</b>	Title: <b>Cylinder block</b>



Volvo Construction  
Equipment  
1058831

Pos	Part	Q1	Q2	Q3	Q4	Q5	PS	Kit	Description	Option(s)	Remark
1	VOE17210234	1							Block		
2	VOE17210222	1							Plate		
3	VOE17205078	1							Plug		
4	VOE17205213	1							Plug		
5	VOE17204993	2							Plug		
7		REQ					NS		Sealant		
8	VOE17204973	2					NS		Tab		
9	VOE17205098	10							Bolt		
10	VOE17205569	1							Plug		
11	VOE17209511	1							Valve		

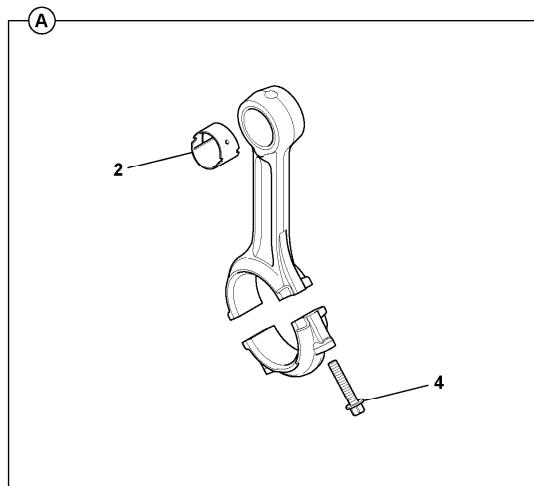
Date: <b>2013/10/22</b>	Image id: <b>1058858</b>	Catalogue: <b>20606</b>	Model: <b>MC110C</b>
Brand: <b>Volvo</b>	Serial: <b>1-</b>	Group/Section: <b>213/100</b>	Title: <b>Connecting rod and piston</b>



Volvo Construction  
Equipment  
1058858

Pos	Part	Q1	Q2	Q3	Q4	Q5	PS	Kit	Description	Option(s)	Remark
1	VOE16213294	1							Rod		See ref 213/150
2	VOE16213225	2							Bearing		
3	VOE17204927	1							Piston ring		
4	VOE17205061	1							Piston ring		
6	VOE16213340	1							Piston		See ref 213/200
7	VOE17205140	1							Piston ring		

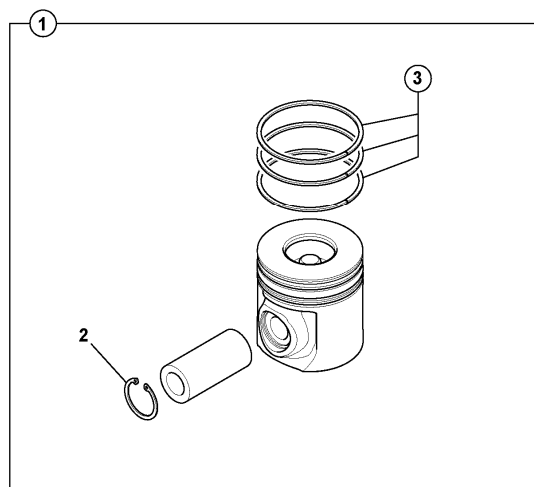
Date: <b>2013/10/22</b>	Image id: <b>1059188</b>	Catalogue: <b>20606</b>	Model: <b>MC110C</b>
Brand: <b>Volvo</b>	Serial: <b>1-</b>	Group/Section: <b>213/150</b>	Title: <b>Connecting rod</b>



Volvo Construction  
Equipment  
1059188

Pos	Part	Q1	Q2	Q3	Q4	Q5	PS	Kit	Description	Option(s)	Remark
A	VOE16213294	1							Rod		
2	VOE17204926	2							•Bushing		
4	VOE17205181	2							•Bolt		

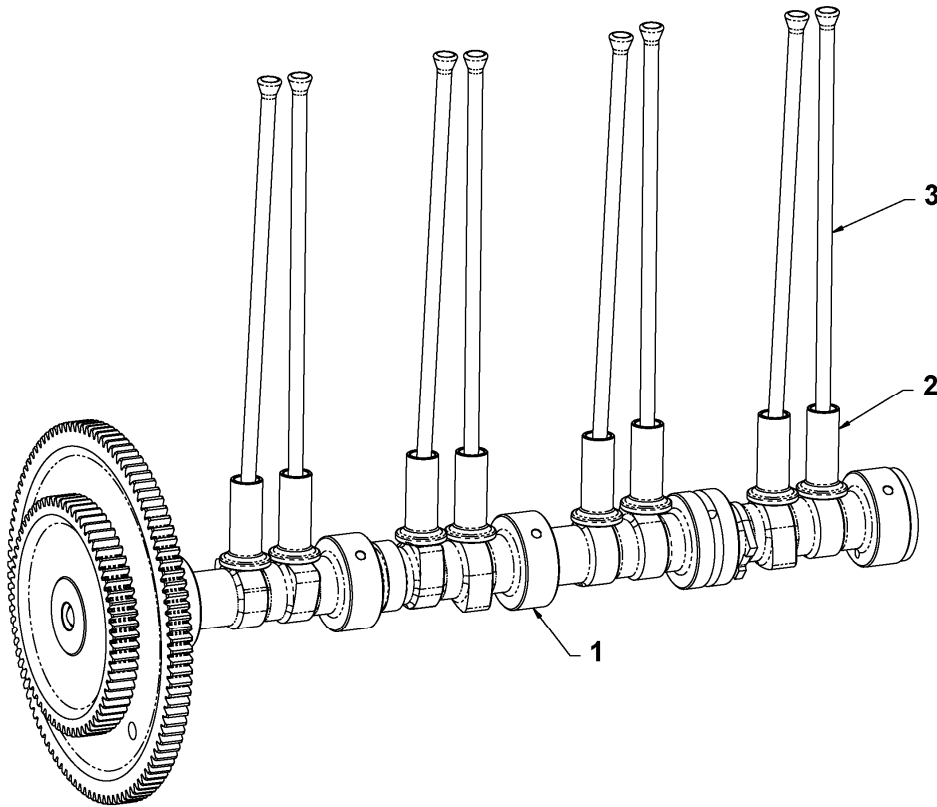
Date: <b>2013/10/22</b>	Image id: <b>1059187</b>	Catalogue: <b>20606</b>	Model: <b>MC110C</b>
Brand: <b>Volvo</b>	Serial: <b>1-</b>	Group/Section: <b>213/200</b>	Title: <b>Piston STD, O SZ</b>



Volvo Construction  
Equipment  
1059187

Pos	Part	Q1	Q2	Q3	Q4	Q5	PS	Kit	Description	Option(s)	Remark
1	VOE16213418	1							Piston kit		STD SZ
1	VOE17205241	REQ							Piston ring kit		O SZ = 0.5 MM
1	VOE17210010	REQ							Kit		O SZ = 1.0 MM
2	VOE17205298	2							•Retainer		
3	VOE17210017	1							•Piston ring kit		STD SZ
3	VOE17210026	REQ							•Piston ring kit		O SZ = 0.5 MM
3	VOE16213419	REQ							•Piston kit		O SZ = 1,0 MM

Date: <b>2013/10/22</b>	Image id: <b>1058859</b>	Catalogue: <b>20606</b>	Model: <b>MC110C</b>
Brand: <b>Volvo</b>	Serial: <b>1-</b>	Group/Section: <b>215/100</b>	Title: <b>Camshaft</b>

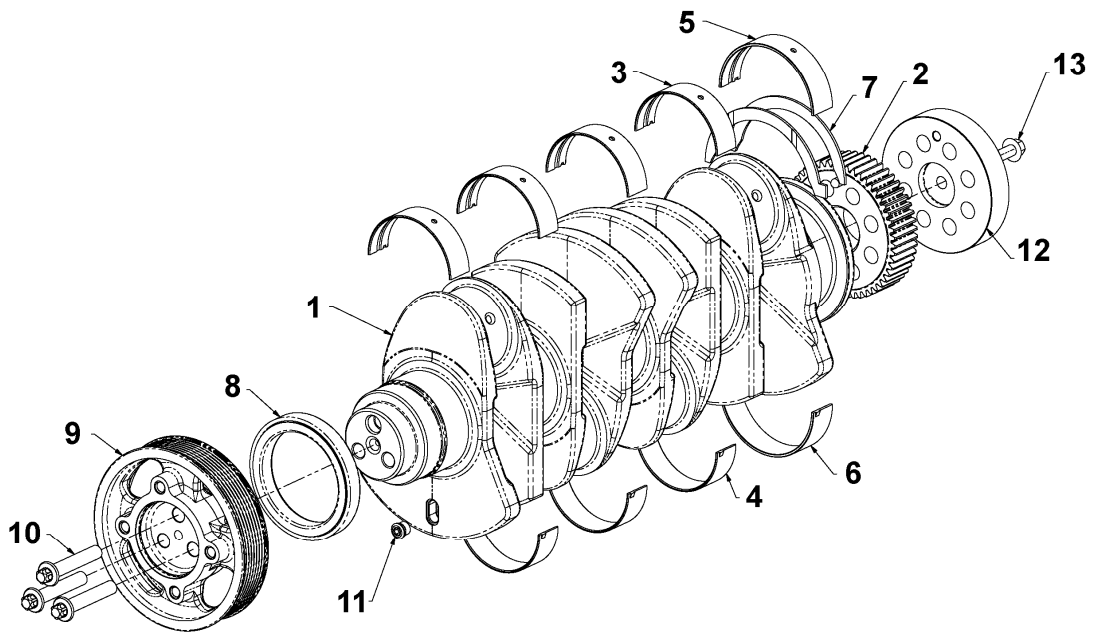


Volvo Construction  
Equipment  
1058859

Pos	Part	Q1	Q2	Q3	Q4	Q5	PS	Kit	Description	Option(s)	Remark
1	VOE17210177	1							Camshaft		
2	VOE16213250	8							Valve		
3	VOE16213291	8							Rod		



Date: <b>2013/10/22</b>	Image id: <b>1058841</b>	Catalogue: <b>20606</b>	Model: <b>MC110C</b>
Brand: <b>Volvo</b>	Serial: <b>1-</b>	Group/Section: <b>216/100</b>	Title: <b>Crankshaft and related parts</b>



Volvo Construction  
Equipment  
1058841

Pos	Part	Q1	Q2	Q3	Q4	Q5	PS	Kit	Description	Option(s)	Remark
1	VOE17205190	1							Crankshaft		
2	VOE16213461	1							Crankshaft gear		See ref 216/150
3	VOE16213238	4							Bearing		
4	VOE16213217	4							Bearing		
5	VOE16213211	1							Bearing		
6	VOE16213214	1							Bearing		
7	VOE16213145	2							Thrust washer		
8	VOE16213281	1							Sealing		
9	VOE16213325	1							Pulley		
10	VOE17204948	3							Bolt		
11	VOE17205569	1							Plug		
12	VOE17205089	1							Wheel gear housing		
13	VOE17205122	1							Bolt		

Thank you so much for reading.  
Please click the “Buy Now!”  
button below to download the  
complete manual.



After you pay.

You can download the most  
perfect and complete manual in  
the world immediately.

Our support email:

[ebooklibonline@outlook.com](mailto:ebooklibonline@outlook.com)