

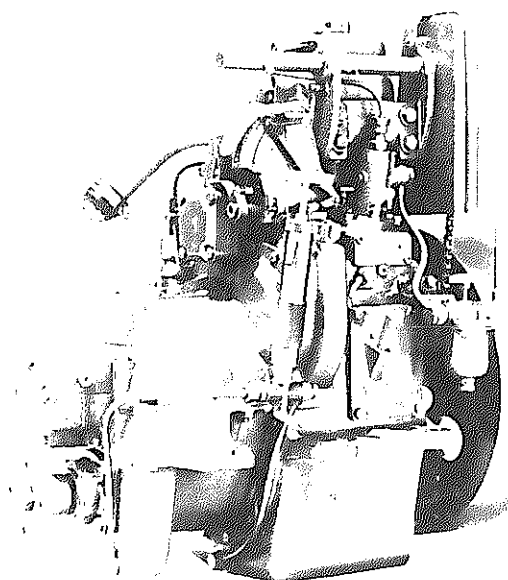
A0A1027

SERVICE MANUAL

SKE

YANMAR

SERVICE MANUAL



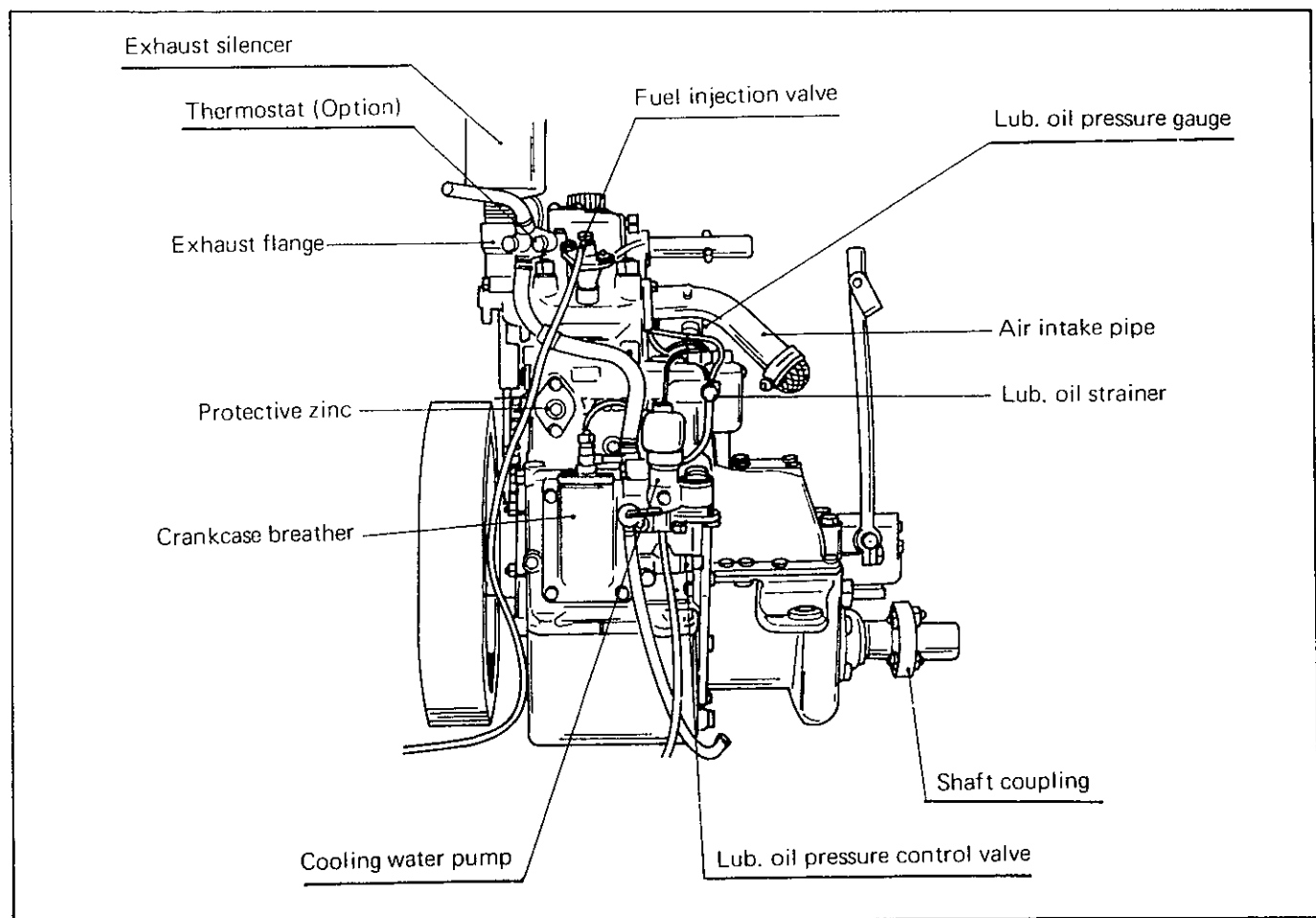
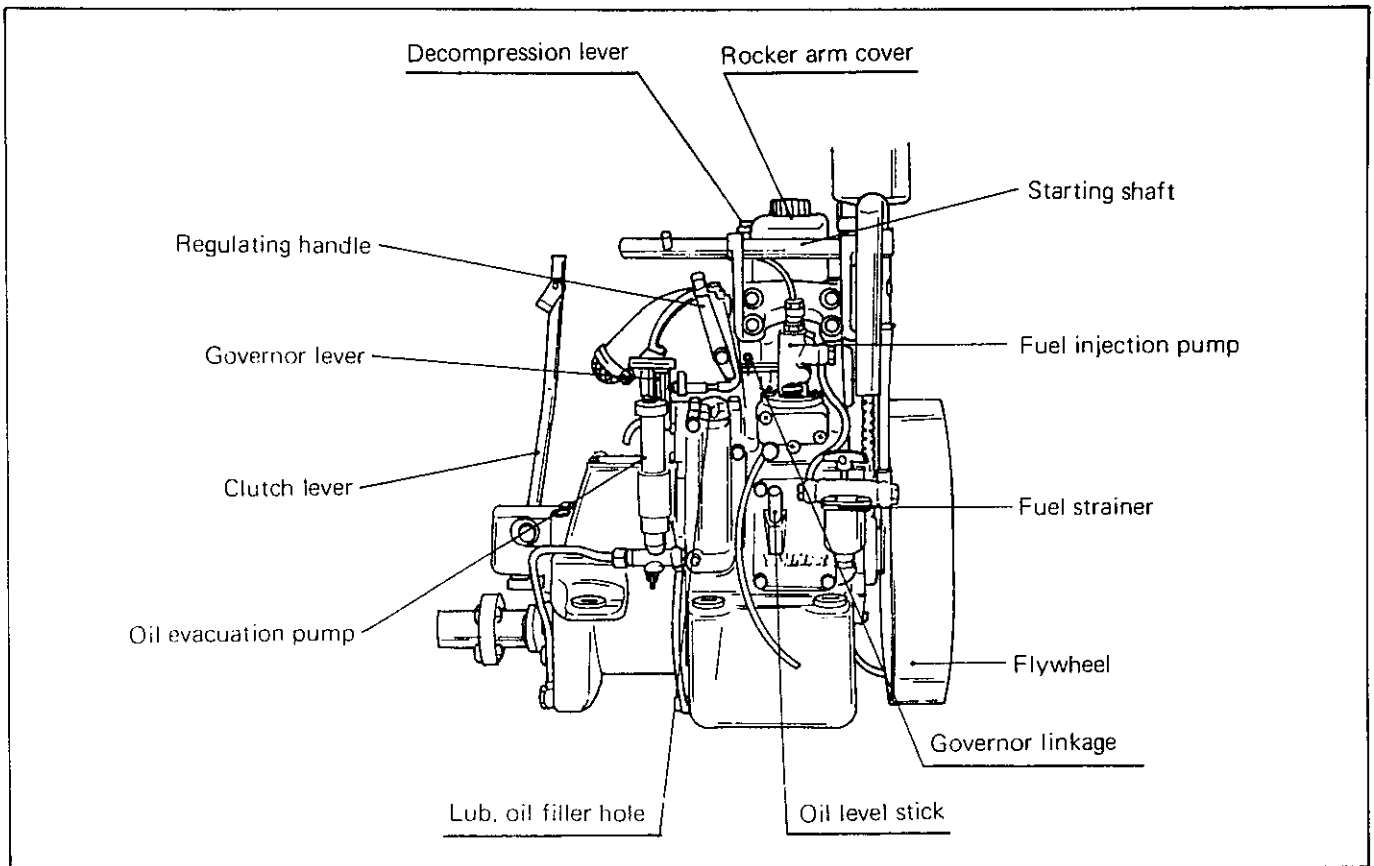
MODEL
SKE

CONTENTS

I. General Description	1
1. Name of Parts	1
2. Data and Settings	2
3. Piping Diagram	3
4. Dimensions	4
II. Installation	5
III. Power Transfer (Power Take Off)	10
IV. General Servicing	12
1. Main Points of Servicing	12
2. Time of Periodic Checks	15
2-1 Table of periodic checks	16
2-2 Every 50 hours	18
2-3 Every 250 hours	18
2-4 Every 500 hours	19
2-5 Every 1500 hours	28
2-6 Other time interval check	31
3. Electric Wiring	34
V. Maintenance Standards for Main Components	36
1. Engine Disassembly Precautions	36
2. Clearance & Tolerance of Main Components	40
3. Exchange Standards for Wear of Main Parts	42
4. Specified Tightening Torque for Major Parts	45
VI. Trouble Shooting	46
VII. Fuel Feed Pump	55
VIII. List of Approved Oil	57

I. General Description

1. Name of Parts



2. Data and Settings

ENGINE DATA

Model		SKE
Type		Vertical, single cyl. 4-cycle diesel
No. of Cylinders		1
Rated Engine Speed (rpm)		2,400
Cylinder bore x stroke (mm)		92 x 100
Direction of rotation	Crank shaft	Counter clockwise, viewed from stern
	Propeller shaft	Clockwise, viewed from stern
Combustion system		Pre-combustion chamber type
Lubrication system		Forced lubrication by gear type pump
Cooling system		Forced circulation by plunger type pump
Starting system		Hand or Electric
Reduction /Reverse Gear		Mechanical/wet, single disc type

SETTINGS

Valve clearance		Cold engine	0.15 mm
Intake valve	Open	Before Top Dead Center (TDC)	21°
	Closed	Past Bottom Dead Center (BDC)	45°
Exhaust valve	Open	Before Bottom Dead Center (BDC)	48°
	Closed	Past Top Dead Center (TDC)	18°
*Fuel injection timing (start)		Before Top Dead Center (BDC)	12° ±1°
Fuel injection pressure (start)			160 kg/cm ²
Oil pressure (hand start)		Engine speed at 2,400 rpm	2-2.5 kg/cm ²

* Confirm fuel injection timing by removing the high pressure fuel delivery pipe and positioning the fuel pump rack at the two dot mark.

Thank you so much for reading.
Please click the “Buy Now!”
button below to download the
complete manual.



After you pay.

You can download the most
perfect and complete manual in
the world immediately.

Our support email:

ebooklibonline@outlook.com