

omar168280 - 8110T, 8210T, 8310T and 8410T Tractors (-902000) Pictorial Safety Signs

Pictorial Safety Signs



TS231-19: Live With Safety

IMPORTANT:

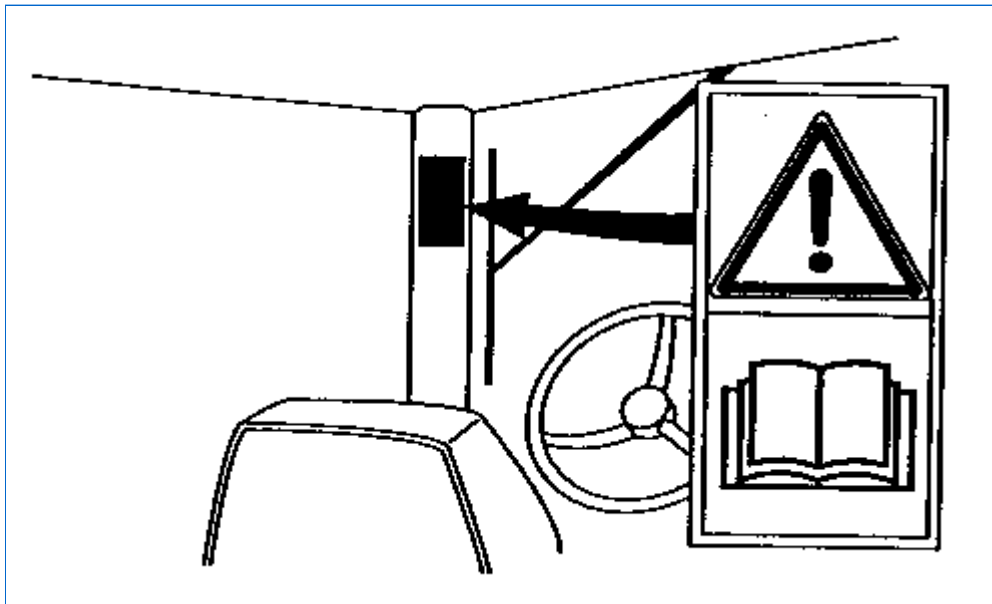
Install new safety signs if old signs are damaged, lost or can not be read. Install a new safety sign when replacing any new part that previously had a safety sign.

At several important places of this machine safety signs are affixed intended to signify potential danger. The hazard is identified by a pictorial in a warning triangle. An adjacent pictorial provides information how to avoid personal injury. These safety signs, their placement on the machine and a brief explanatory text are shown below.

Keep safety signs clean and in good condition. Replacement signs are available. See your John Deere Dealer.

omar168280 - 8110T, 8210T, 8310T and 8410T Tractors (-902000) Operator's Manual

Operator's Manual



RW55490-UN: Read Operator's Manual Carefully

This operator's manual contains important information necessary for safe machine operation. Carefully observe all safety rules to avoid accidents.

omar168280 - 8110T, 8210T, 8310T and 8410T Tractors (-902000)
Speed Limit- *United Kingdom*

Speed Limit- *United Kingdom*

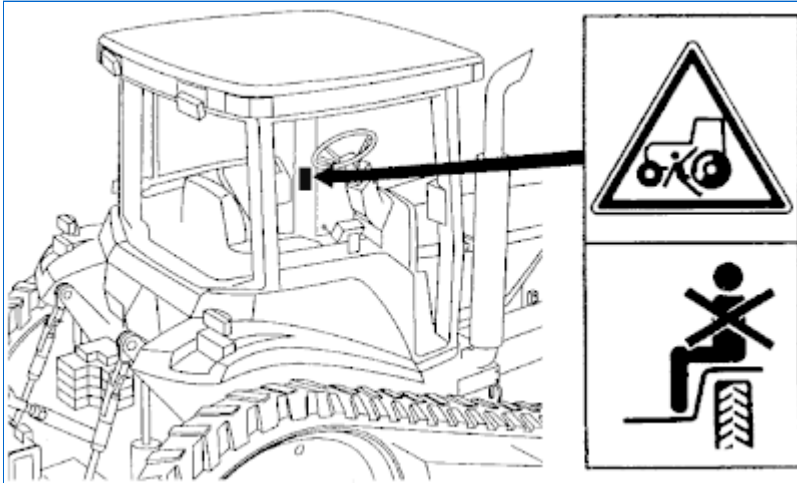


RW55491-19: Observe Speed Limit

Follow recommended speed limit. Do Not operate tractor faster than 32 km/h.

**omar168280 - 8110T, 8210T, 8310T and 8410T Tractors (-902000)
Passenger Seat- Germany**

Passenger Seat- Germany

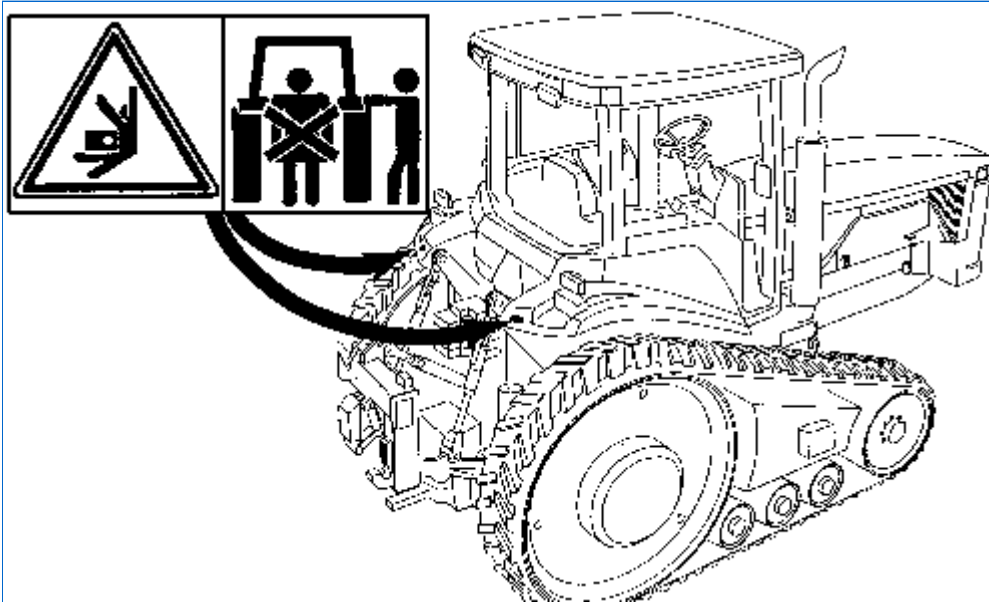


RW56475-UN: Safety Decal

Use a passenger seat to transport additional persons. Transport of persons is forbidden without a suitable seating accommodation.

**omar168280 - 8110T, 8210T, 8310T and 8410T Tractors (-902000)
External Hitch Control Switch**

External Hitch Control Switch

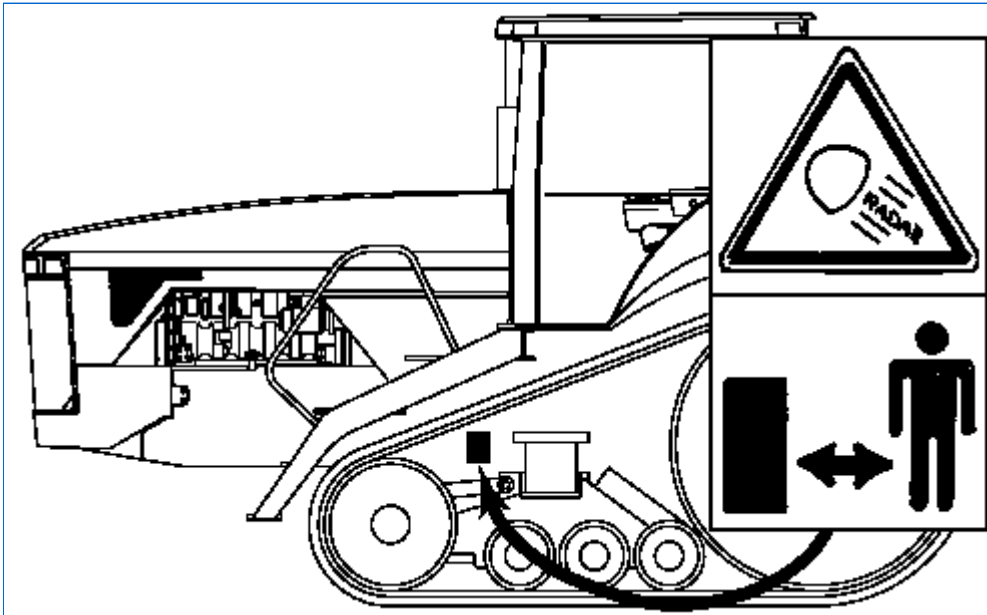


RW56476-UN: Safety Decal

Stay clear of three-point hitch lift range when operating hitch using external control switch.

omar168280 - 8110T, 8210T, 8310T and 8410T Tractors (-902000)
Radar Sensor- *Optional*

Radar Sensor- *Optional*

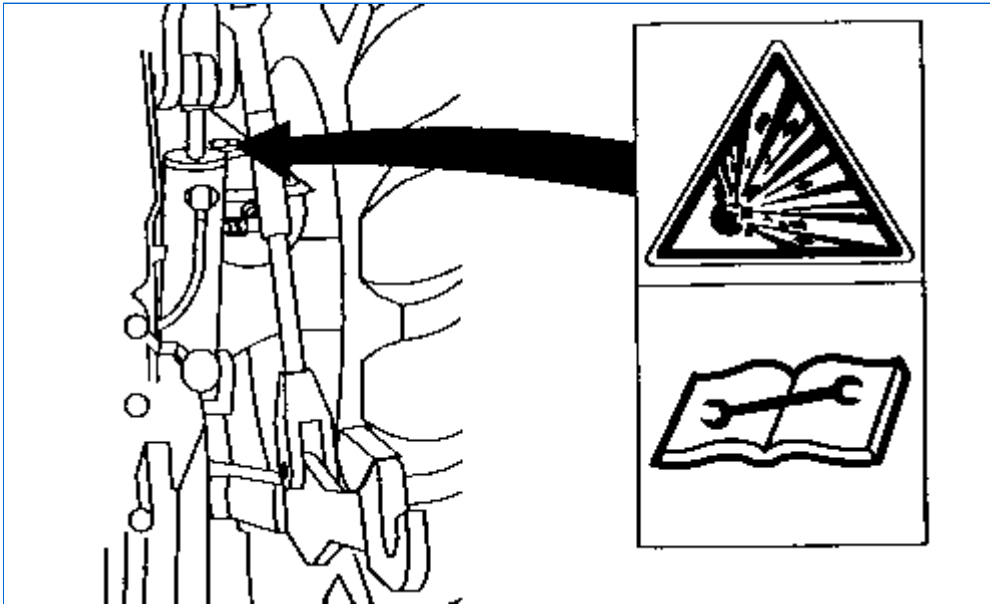


RW56477-UN: Safety Decal

Avoid possible eye damage. Do not look directly into face of radar sensor.

**omar168280 - 8110T, 8210T, 8310T and 8410T Tractors (-902000)
Trailer Air Brake Accumulator- *Optional***

Trailer Air Brake Accumulator- *Optional*

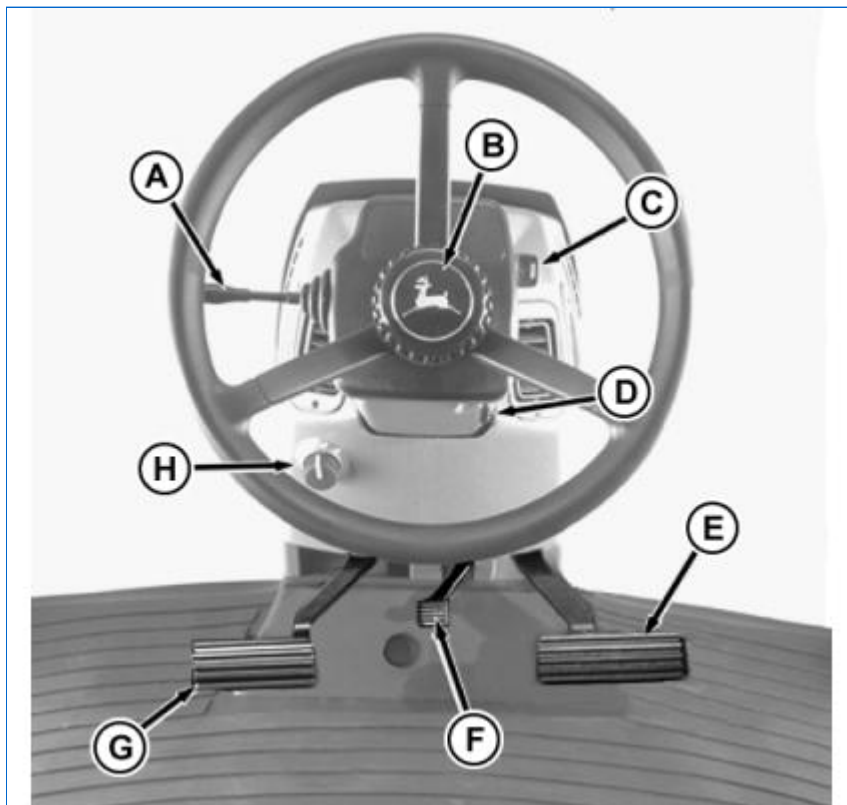


RW55495-UN: Air Brake Accumulator-Under Pressure

Trailer air brake accumulator is under pressure. Service should only be performed when pressure in the accumulator does not exist.

omar168280 - 8110T, 8210T, 8310T and 8410T Tractors (-902000) Front Console

Front Console



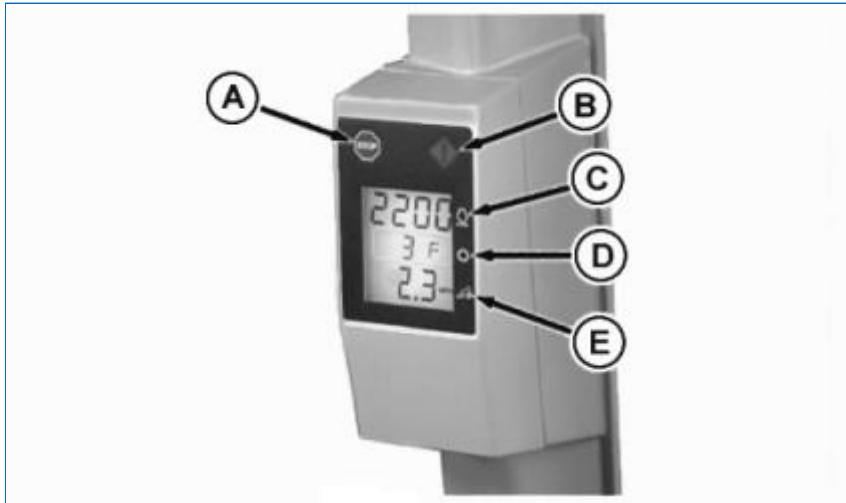
RW26337-UN: Front Console

LEGEND:

- A - Turn Signal Lever, Dimmer Switch, Horn, Flash-to-Pass
- B - Steering Wheel Telescope Release
- C - Key Switch
- D - Steering Wheel Tilt Release
- E - Brake Pedal
- F - Steering Column Foot Release
- G - Clutch Pedal
- H - Air Flow Direction Knob

omar168280 - 8110T, 8210T, 8310T and 8410T Tractors (-902000) Corner Post Display

Corner Post Display



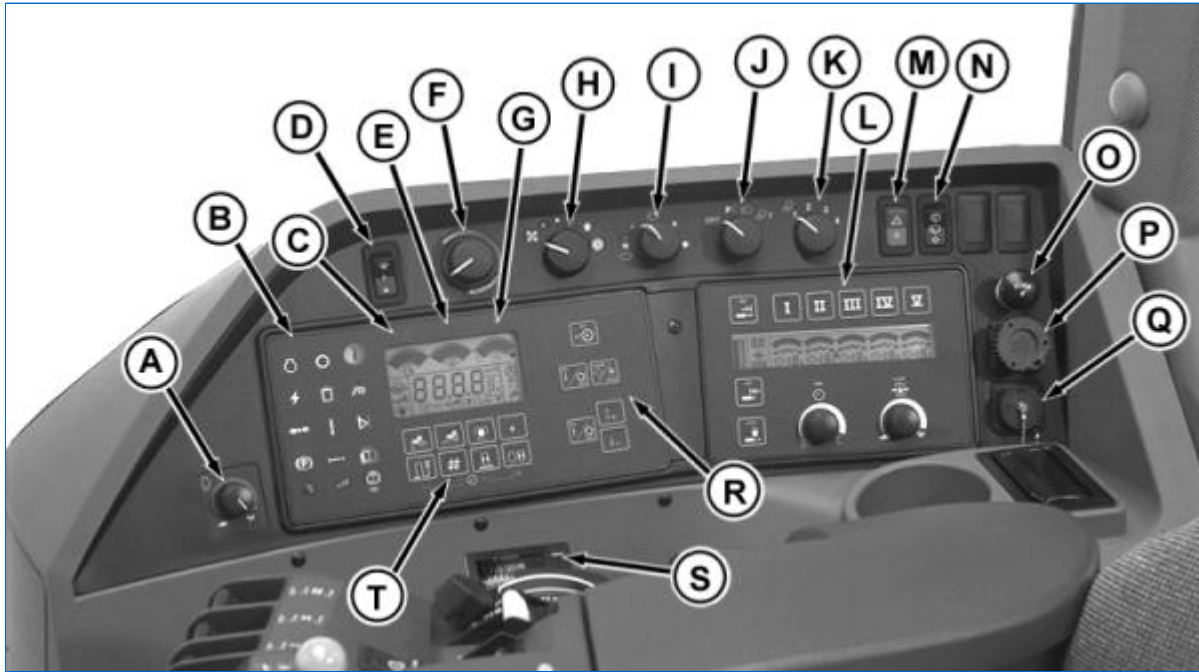
RW26225-UN: Corner Post Display

LEGEND:

- A - Stop Engine Symbol
- B - Service Alert Symbol
- C - Engine Speed
- D - Transmission Gear
- E - Ground Speed [Displays True Ground Speed With Radar; Displays Track Speed With No Radar]

omar168280 - 8110T, 8210T, 8310T and 8410T Tractors (-902000) Side Console

Side Console



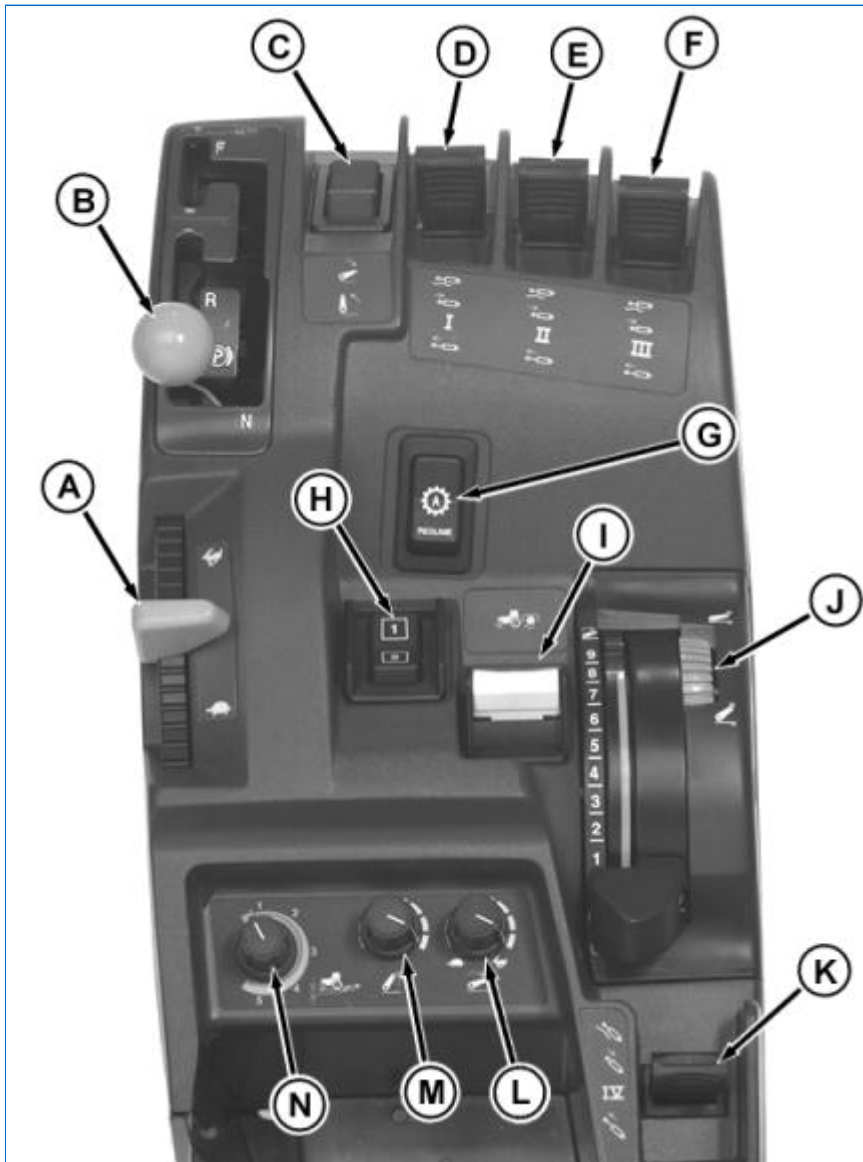
RW26724-UN: Side Console

LEGEND:

- A - Field Cruise
- B - Vehicle Monitor
- C - Engine Temperature Gauge
- D - Air Conditioning Switch
- E - Engine Oil Pressure Gauge
- F - Temperature Control
- G - Fuel Level
- H - Fan Speed Control
- I - Wiper Control
- J - Road Light Switch
- K - Field Light Switch
- L - SCV TouchSet Control Panel
- M - Hazard Light Switch
- N - Rear Washer/Wiper Switch
- O - Lighter
- P - Diagnostic Outlet [Used only by your John Deere Dealer]
- Q - Convenience Electrical Outlet
- R - Command Control System
- S - Clock
- T - Display Functions

omar168280 - 8110T, 8210T, 8310T and 8410T Tractors (-902000) Armrest Controls

Armrest Controls



RW26227-UN: Armrest Controls

LEGEND:

- A - Hand Throttle
- B - Gear Shift Lever
- C - Hitch Raise/Lower Switch
- D - Remote Hydraulic Lever (**SCV I**)
- E - Remote Hydraulic Lever (**SCV II**)
- F - Remote Hydraulic Lever (**SCV III**)
- G - Automatic Powershift Resume Switch (**APS**)
- H - Sequence Switch (**IMS**)
- I - Rear PTO Switch
- J - Hitch Control
- L - **SCV III** Remote Hydraulic Lever
- M - **SCV II** Remote Hydraulic Lever
- N - **SCV I** Remote Hydraulic Lever

Thank you so much for reading.
Please click the “Buy Now!”
button below to download the
complete manual.



After you pay.

You can download the most
perfect and complete manual in
the world immediately.

Our support email:

ebooklibonline@outlook.com