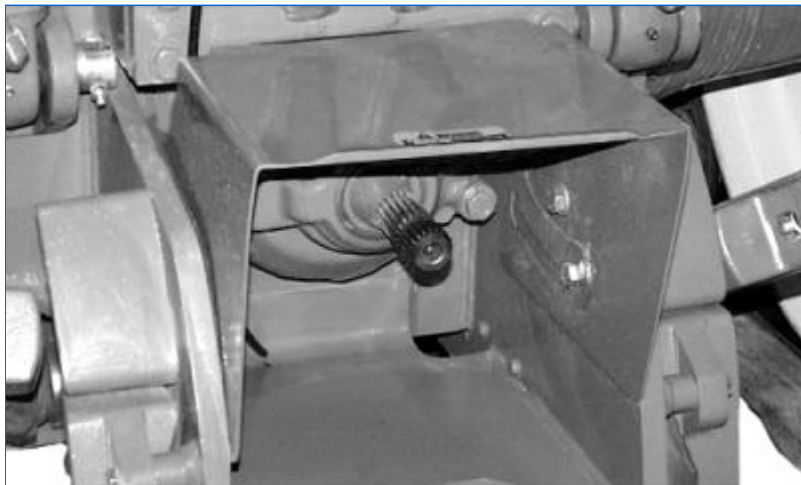
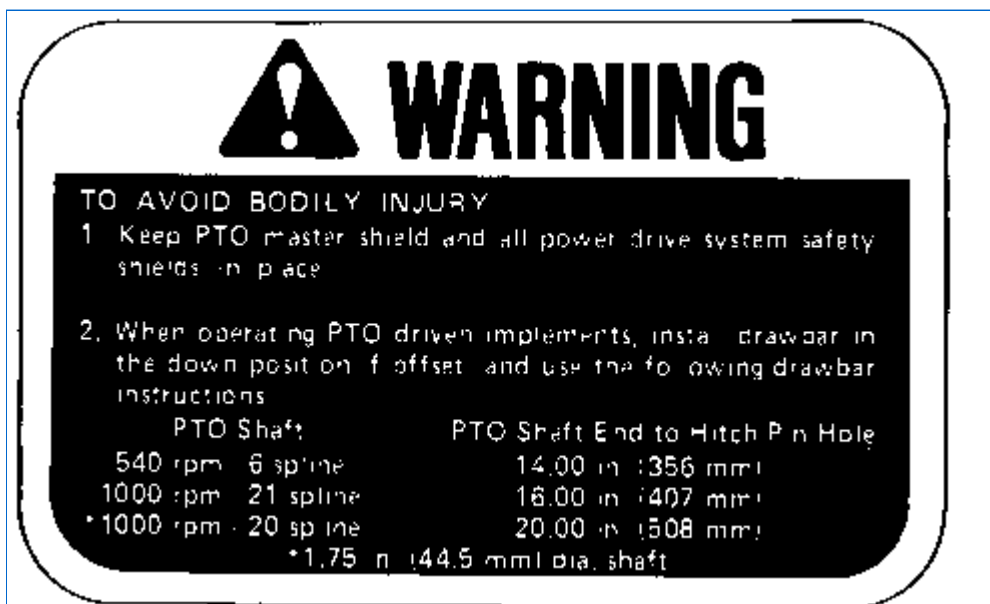


omar172616 - 9300T and 9400T Tractors (090258-091000) PTO Driveline

PTO Driveline



RW26586-UN: PTO Driveline Decal



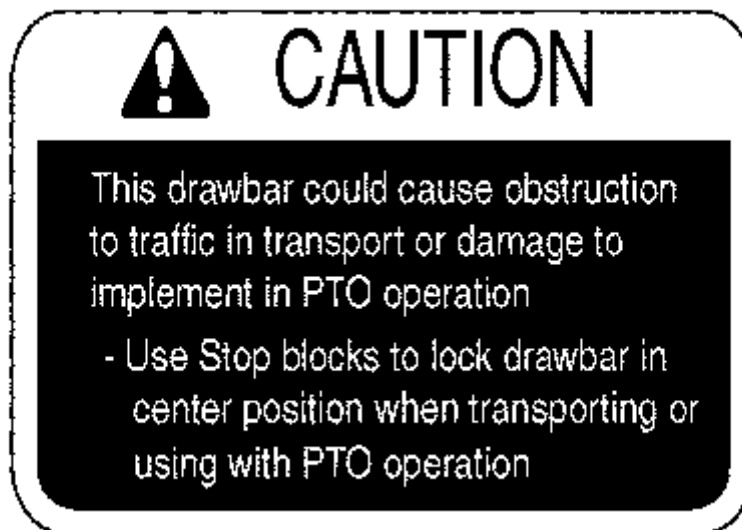
RW10950-19: PTO Driveline Decal

omar172616 - 9300T and 9400T Tractors (090258-091000)
Wide Swing Drawbar

Wide Swing Drawbar



RW26873-UN: Wide swing Drawbar



RW26862-19: Drawbar Decal

omar172616 - 9300T and 9400T Tractors (090258-091000) Avoiding High-Pressure Fluid

Avoiding High-Pressure Fluid



RW26866-UN: Accumulator Decal



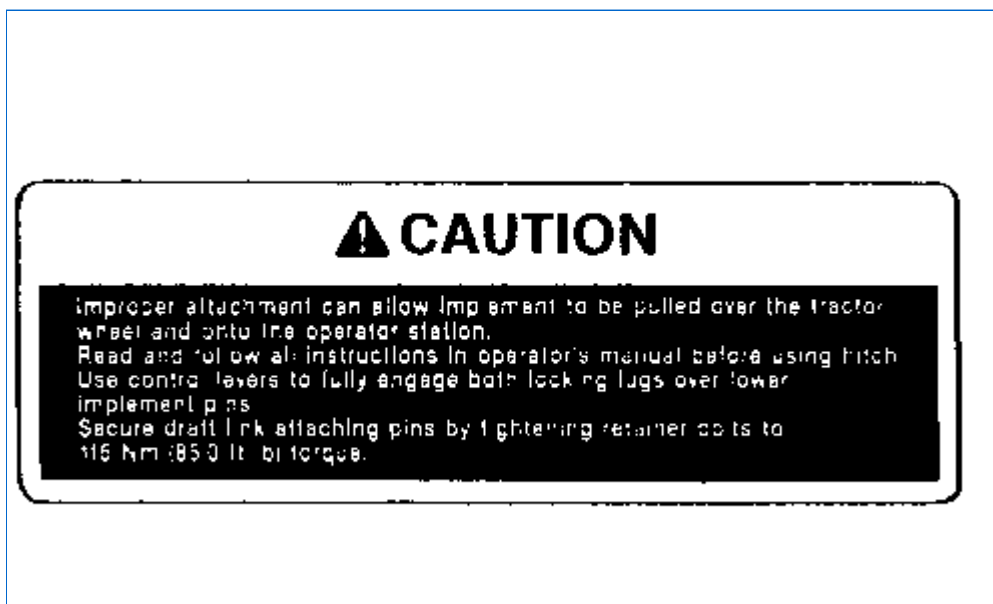
RW26558-19: Safety Decal

omar172616 - 9300T and 9400T Tractors (090258-091000) Couple Implement Securely

Couple Implement Securely



RW26057-UN: Fasten Implement Securely Decal

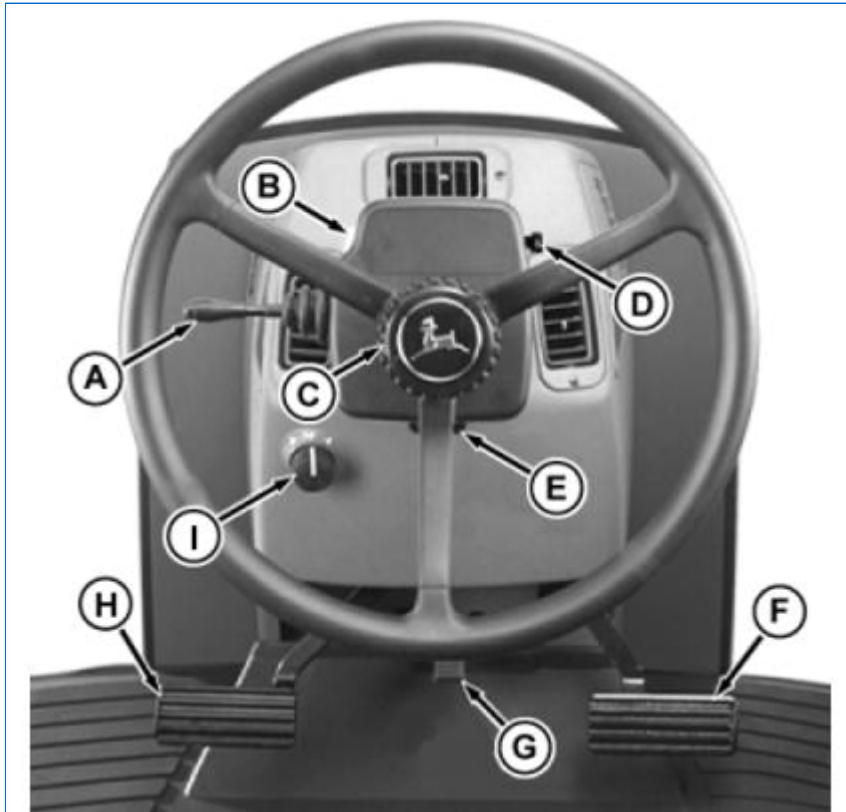


RW55095-19: Fasten Implement Securely Decal

omar172616 - 9300T and 9400T Tractors (090258-091000)

Front Console

Front Console



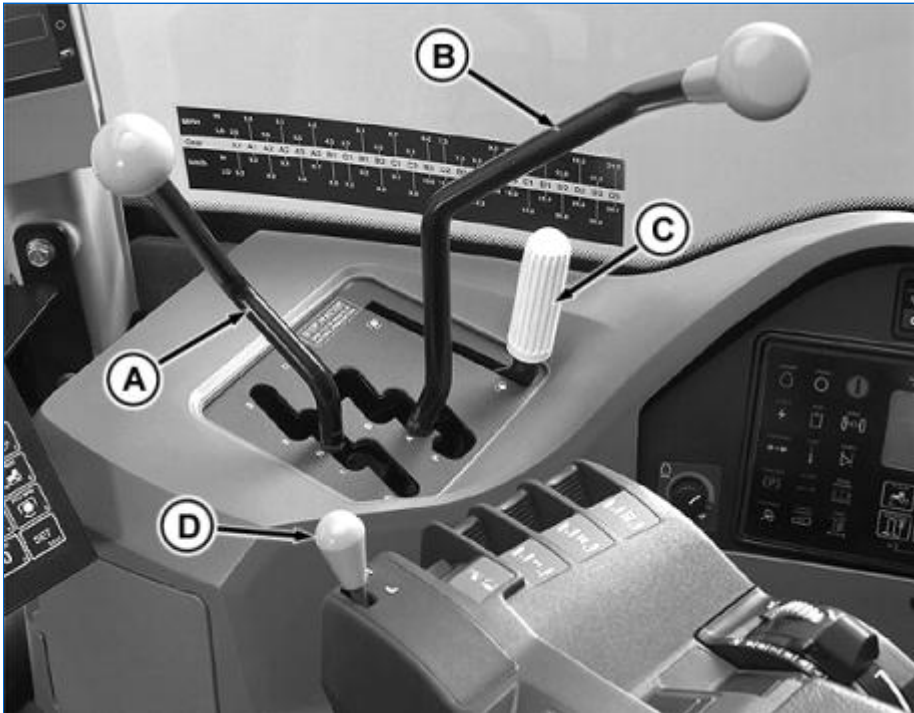
RW26061-UN: Front Console-Controls/Instruments

LEGEND:

- A - Turn Signal Lever, Dimmer Switch, Horn, Flash-to-Pass
- B - Ether Aid Switch
- C - Steering Wheel Telescope Release
- D - Key Switch
- E - Steering Wheel Tilt Release
- F - Brake Pedal
- G - Steering Column Foot Release
- H - Clutch Pedal
- I - Air Flow Direction Knob

omar172616 - 9300T and 9400T Tractors (090258-091000) Shift and PTO Levers

Shift and PTO Levers



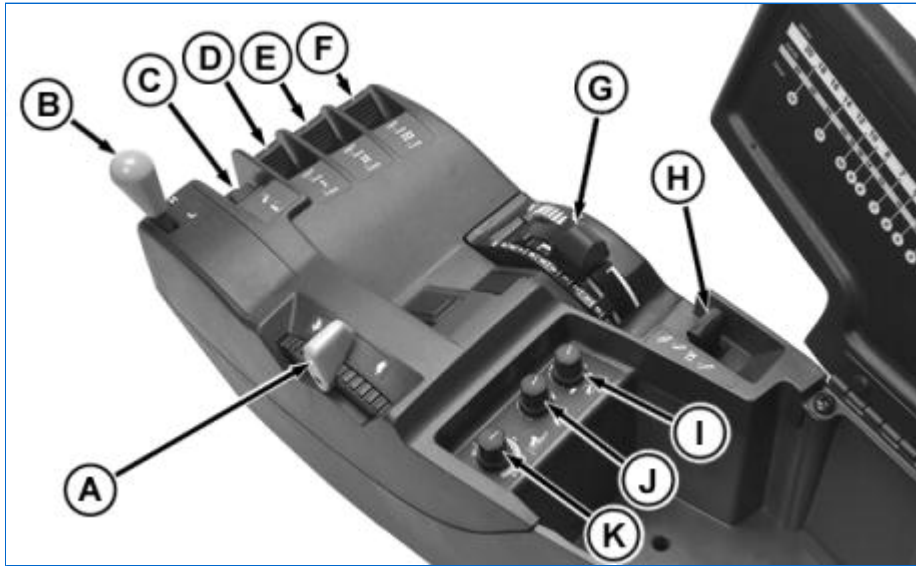
RW26065-UN: Shift and PTO Levers

LEGEND:

- A - Gear-Shift Lever
- B - Range-Shift Lever
- C - PTO Lever (*Optional*)
- D - Hi-Lo Shift Lever

omar172616 - 9300T and 9400T Tractors (090258-091000) Armrest Controls

Armrest Controls



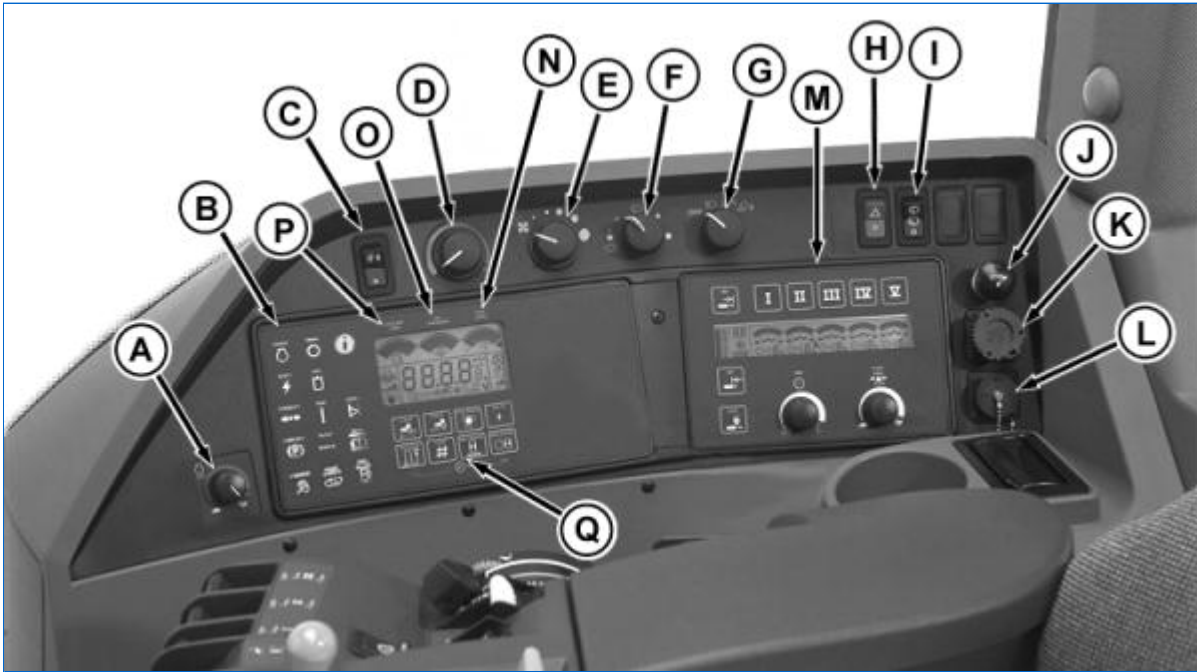
RW26067-UN: Arm Rest Controls

LEGEND:

- A - Hand Throttle
- B - Hi-Lo Shift Lever
- C - Hitch Raise/Lower Switch
- D - Remote Hydraulic Lever (**SCV I**)
- E - Remote Hydraulic Lever (**SCV II**)
- F - Remote Hydraulic Lever (**SCV III**)
- G - Hitch Control
- H - Remote Hydraulic Lever (**SCV IV**)
- I - Hitch Rate of Drop [Inside Armrest]
- J - Hitch Height Limit [Inside Armrest]
- K - Hitch Load/Depth Control [Inside Armrest]

omar172616 - 9300T and 9400T Tractors (090258-091000) Side Console

Side Console



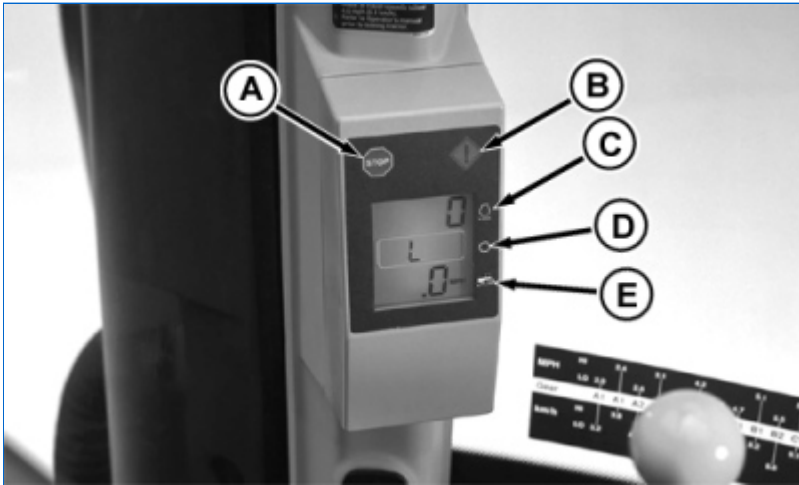
RW26850-UN: Side Console-Controls/Instruments

LEGEND:

- A - Field Cruise
- B - Vehicle Monitor
- C - Air Conditioning Switch
- D - Temperature Control
- E - Fan Speed Control
- F - Front Wiper Switch
- G - Light Switch
- H - Hazard Light Switch
- I - Rear Washer/Wiper Switch (**Optional**)
- J - Cigarette Lighter
- K - Diagnostic Outlet [Used by your John Deere Dealer]
- L - Convenience Electrical Outlet
- M - SCV TouchSet Control Panel
- N - Fuel Level
- O - Oil Pressure
- P - Coolant Temperature
- Q - Display Functions

omar172616 - 9300T and 9400T Tractors (090258-091000) Corner Post Display

Corner Post Display



RW26059-UN: Corner Post Display-Controls/Instruments

LEGEND:

- A - Stop Engine Symbol
- B - Service Alert Symbol
- C - Engine Speed
- D - Transmission (Hi/Lo)
- E - Ground Speed [Displays True Ground Speed WITH Radar-Displays Track Speed WITHOUT Radar]

Thank you so much for reading.
Please click the “Buy Now!”
button below to download the
complete manual.



After you pay.

You can download the most
perfect and complete manual in
the world immediately.

Our support email:

ebooklibonline@outlook.com