

# 300 Auger Platform 31, 36, 61 and 66 Hay Conditioners



JOHN DEERE

## OPERATORS MANUAL

300 Auger Platform 31, 36, 61 and 66  
Hay Conditioners

OME75019 Issue I8 English

**John Deere Ottumwa Works**  
**OME75019 Issue I8**  
(This manual replaces OME75019 Issue I5)

LITHO IN U.S.A.  
ENGLISH



# Contents

	Page		Page
<b>Safety</b> . . . . .	05-1	Care of Chains . . . . .	35-3
<b>Transporting</b> . . . . .	10-1	Care of V-Belts . . . . .	35-4
<b>Operating the Auger Platform</b>		Auger and Reel Speeds . . . . .	35-5
Before Operating Checks . . . . .	15-1	Changing Auger Speed . . . . .	35-5
Breaking in the Auger Platform . . . . .	15-1	Adjusting Auger Drive Chain Tension . . . . .	35-6
Determining Starting and Ground		Changing Reel Speed . . . . .	35-6
Speed . . . . .	15-2	Adjusting Reel Drive Chain Tension . . . . .	35-7
Knife Overlap . . . . .	15-2	Adjusting Auger to Deck Clearance . . . . .	35-7
Producing Uniform Windrows . . . . .	15-3	Adjusting Auger to Stripper Clearance . . . . .	35-8
Cutterbar . . . . .	15-3	Adjusting Auger Slip Clutch . . . . .	35-8
Knife Hold-Downs . . . . .	15-4	Slipping Auger Slip Clutch . . . . .	35-10
Platform Guard Angle and Gauge Shoes . . . . .	15-4	Additional Auger Flaps . . . . .	35-11
Reel . . . . .	15-5	Adjusting Reel Clutch . . . . .	35-11
Auger . . . . .	15-6	Adjusting Reel Vertically . . . . .	35-12
Conditioner . . . . .	15-6	Adjusting Reel Front-To-Rear . . . . .	35-12
Platform Float . . . . .	15-7	Adjusting Cam . . . . .	35-13
Ground Speed . . . . .	15-7	Adjusting Cam Followers . . . . .	35-14
Cutting Alfalfa . . . . .	15-8	Replacing Reel Teeth in Right-Hand	
Cutting Grass . . . . .	15-9	and Center Section . . . . .	35-15
Cutting Tall Crop . . . . .	15-10	Replacing Reel Teeth in Left-Hand	
Dirt or Mud Buildup . . . . .	15-11	Section . . . . .	35-16
Adjusting Platform Float . . . . .	15-11	Adjusting Conditioner Drive Belt	
Adjusting Platform Guard Angles . . . . .	15-12	(31 and 61) . . . . .	35-19
Adjusting Conditioner Roll Pressure . . . . .	15-12	Adjusting Roll Timing (31 and 61) . . . . .	35-19
Adjusting Roll Spacing . . . . .	15-13	Adjusting Conditioner Drive Belt	
<b>Attachments</b>		(36 and 66) . . . . .	35-20
Double Gauge Shoes . . . . .	20-1	Adjusting Upper Roll Drive Chain	
Tall Stubble Gauge Shoes . . . . .	20-1	(36 and 66) . . . . .	35-20
Gauge Wheels (3430 Windrower) . . . . .	20-1	Adjusting Lower Roll Drive Chain . . . . .	35-20
Additional Reel Bats . . . . .	20-1	Adjusting Roll Timing (36 and 66) . . . . .	35-21
Cutterbar Knife Sections . . . . .	20-2	Adjusting Knife Drive Belt (Both	
Non-Clog Cutting Parts . . . . .	20-2	Sides) . . . . .	35-21
Tall Crop Dividers . . . . .	20-2	Removing Knives . . . . .	35-22
Tall Crop Kit . . . . .	20-2	Installing Standard Guards on Right-Hand	
Slow-Down Sprocket . . . . .	20-3	Cutterbar . . . . .	35-23
Deck Sheets . . . . .	20-3	Installing Standard Guards on Left-Hand	
Auger Shield . . . . .	20-3	Cutterbar . . . . .	35-24
Ruber Auger Flaps . . . . .	20-3	Installing Non-Clog Guards on Right-Hand	
<b>Lubrication and Maintenance</b> . . . . .	25-1	Cutterbar . . . . .	35-25
<b>Troubleshooting</b> . . . . .	30-1	Installing Non-Clog Guards on Left-Hand	
<b>Service</b>		Cutterbar . . . . .	35-26
Practice Safe Service Procedures . . . . .	35-1	Installing Center Guard on Standard	
Inch Series Torque Chart . . . . .	35-1	Cutterbar . . . . .	35-27
Tightening Bearing Locking Collars . . . . .	35-2	Installing Center Guard on Non-Clog	
Installing O-Ring Connector Link . . . . .	35-2	Cutterbar . . . . .	35-27
		Adjusting Cutterbar . . . . .	35-27
		Adjust Regular Knife Hold-Downs . . . . .	35-28
		Adjust Non-Clog Knife Hold-Downs . . . . .	35-28
		Cutterbar Knife Sections . . . . .	35-29
		Sharpening Knife Sections . . . . .	35-29
		Installing Knives . . . . .	35-30

*Contents*

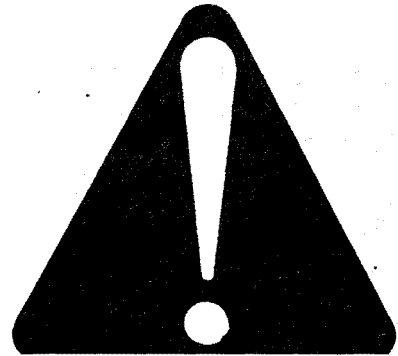
	<b>Page</b>
Adjusting Windrow Width . . . . .	35-30
Adjusting Forming Shield Height . . . . .	35-31
Removing Rock Door . . . . .	35-31
Adjusting Gauge Shoes . . . . .	35-31
Adjusting Gauge Wheels on 14 and 16 Ft Platforms . . . . .	35-31
Replacing Auger Drive Chain . . . . .	35-32
<b>Storage . . . . .</b>	<b>40-1</b>
<b>Crime Prevention Tips . . . . .</b>	<b>45-1</b>
<b>Assembly . . . . .</b>	<b>50-1</b>
<b>Specifications . . . . .</b>	<b>55-1</b>
<b>Index . . . . .</b>	<b>60-1</b>

# Safety

## RECOGNIZE SAFETY INFORMATION

This is the safety-alert symbol. When you see this symbol on your machine or in this manual, be alert to the potential for personal injury.

Follow recommended precautions and safe operating practices.



AB6;T81389 053;ALERT 160687

## UNDERSTAND SIGNAL WORDS

A signal word—DANGER, WARNING, or CAUTION—is used with the safety-alert symbol. DANGER identifies the most serious hazards.

Safety signs with signal word DANGER or WARNING are typically near specific hazards.

General precautions are listed on CAUTION safety signs. CAUTION also calls attention to safety messages in this manual.



AB6;TS187 053;SIGNAL 071085

## FOLLOW SAFETY INSTRUCTIONS

Carefully read all safety messages in this manual and on your machine safety signs. Keep safety signs in good condition. Replace missing or damaged safety signs.

Learn how to operate the machine and how to use controls properly. Do not let anyone operate without instruction.

Keep your machine in proper working condition. Unauthorized modifications to the machine may impair the function and/or safety and affect machine life.



AB6;TS201 053;READ 230487



## BEFORE OPERATING

Become familiar with operator's manual, machine decals, and Safety section of this manual.

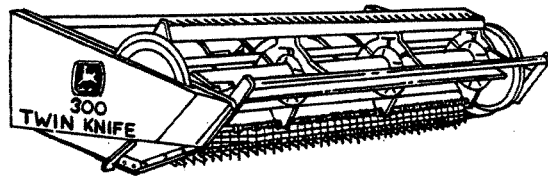
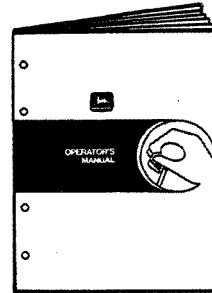
Remove foreign objects from machine.

Become familiar with all controls effecting machine functions.

Make sure everyone is clear of the machine. Never allow riders on machine or near machine while it is running.

Be sure shields and guards are in place and in good condition before starting. Some powerline and hookup shields are designed to stop rotating upon contact while the shaft continues to rotate.

Check rotating shields to ensure they are free to turn. Make necessary repairs if these shields will not turn.



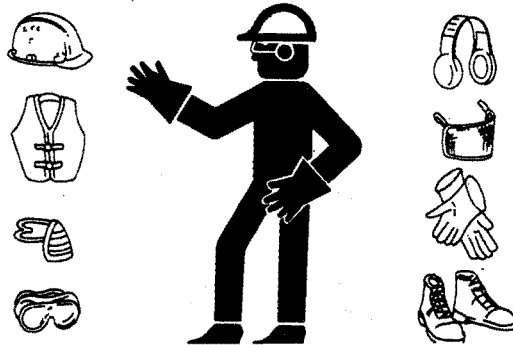
AA7;E23482 E25221 E05;;300AC D 051084

## WEAR PROTECTIVE CLOTHING

Wear close fitting clothing and safety equipment appropriate to the job.

Prolonged exposure to loud noise can cause impairment or loss of hearing.

Wear a suitable hearing protective device such as earmuffs or earplugs to protect against objectionable or uncomfortable loud noises.



AB6;TS206 053;WEAR 230487

## USE SAFETY LIGHTS AND DEVICES

When transporting your machine on a road or highway at night or during the day, use necessary safety lights. Check local governmental regulations. A safety lighting kit is available from your John Deere dealer.

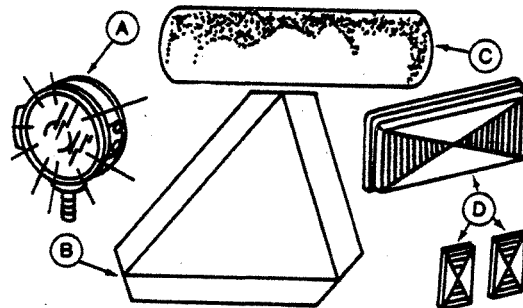
Keep safety items in good condition. Replace missing or damaged items.

A—Lights

B—Slow Moving Vehicle Emblem

C—Reflector Tape

D—Reflectors



AB6;N36564 053;WARN 070188



## PRACTICE SAFE MAINTENANCE

Understand service procedure before doing work. Keep area clean and dry.

Never lubricate or service machine while it is moving. Keep hands, feet, and clothing from power-driven parts. Disengage all power and operate controls to relieve pressure. Lower equipment to the ground. Stop the engine. Remove the key. Allow machine to cool.

Securely support any machine elements that must be raised for service work.

Keep all parts in good condition and properly installed. Fix damage immediately. Replace worn or broken parts. Remove any buildup of grease, oil, or debris.

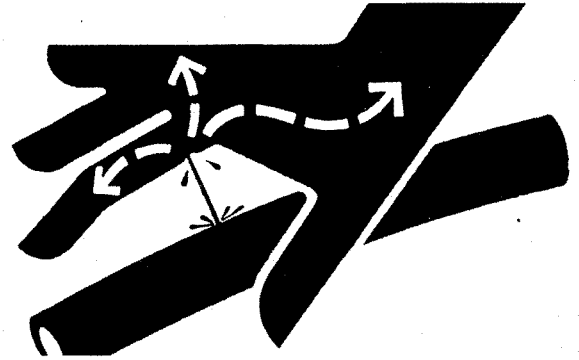


AB6;TS218 E05;;300AC -H 120888

## AVOID HIGH-PRESSURE FLUIDS

Escaping fluid under pressure can penetrate the skin causing serious injury. Relieve pressure before unhooking hydraulic or other lines. Tighten all connections before applying pressure. Keep hands and body away from pinholes and nozzles which eject fluids under high pressure. Use a piece of cardboard to search for leaks.

If ANY fluid is injected into the skin, it must be surgically removed within a few hours by a doctor familiar with this type injury or gangrene may result.



AB6;X9811 053;FLUID 180987

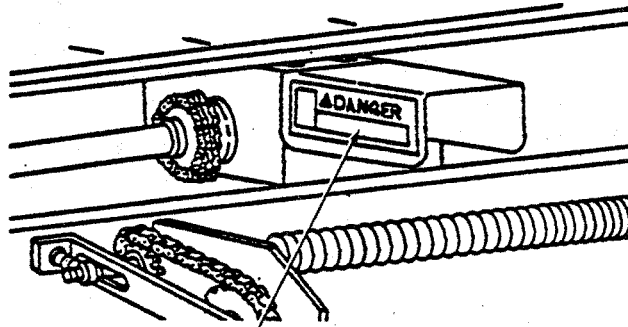
## STORE ATTACHMENTS SAFELY

Stored attachments such as dual wheels, cage wheels, and loaders can fall and cause serious injury or death.

Securely store attachments and implements to prevent falling. Keep playing children and bystanders away from storage area.



AB6;TS219 053;STORE 120487



	<b>⚠ DANGER</b>
	Entanglement in rotating driveline can cause serious injury or death. Keep all shields in place. Avoid contact with rotating parts.

085:E32318 E05:300AC -1 120888

Thank you so much for reading.  
Please click the “Buy Now!”  
button below to download the  
complete manual.



After you pay.

You can download the most  
perfect and complete manual in  
the world immediately.

Our support email:

[ebooklibonline@outlook.com](mailto:ebooklibonline@outlook.com)