

**468**  
**Baler**  
(Serial No. 915001- )

**John Deere Ottumwa Works**  
**OME81606 Issue H1**  
**(This manual replaces OME80136 J9)**  
LITHO IN U.S.A.  
**ENGLISH**

# Introduction

READ THIS MANUAL carefully to learn how to operate and service your machine correctly. Failure to do so could result in personal injury or equipment damage.

THIS MANUAL SHOULD BE CONSIDERED a permanent part of your machine and should remain with the machine when you sell it.

MEASUREMENTS in this manual are given in both metric and customary U.S. unit equivalents. Use only correct replacement parts and fasteners. Metric and inch fasteners may require a specific metric or inch wrench.

RIGHT-HAND AND LEFT-HAND sides are determined by facing in the direction the implement will travel when going forward.

WRITE PRODUCT IDENTIFICATION NUMBERS (P.I.N.) in the Specification section. Accurately record all the numbers to help in tracing the machine should it be stolen. Your dealer also needs these numbers

when you order parts. File the identification numbers in a secure place off the machine.

WARRANTY is provided as part of John Deere's support program for customers who operate and maintain their equipment as described in this manual. The warranty is explained on the warranty certificate which you should have received from your dealer.

This warranty provides you the assurance that John Deere will back its products where defects appear within the warranty period. In some circumstances, John Deere also provides field improvements, often without charge to the customer, even if the product is out of warranty. Should the equipment be abused, or modified to change its performance beyond the original factory specifications, the warranty will become void and field improvements may be denied. Setting fuel delivery above specifications or otherwise overpowering machines will result in such action.

THE TIRE MANUFACTURER'S warranty applicable to your machine may not apply outside the U.S.



*John Deere 468 Baler*

EX,468A,IFC -19-06MAR91

230501  
PN=3

E32222 -JUN-16SEP88

# Contents

	Page		Page
<b>Safety</b>		Adjusting Height of Pickup Teeth w/Optional Hydraulic Lift . . . . .	30-10
<b>Preparing the Tractor</b> . . . . .	10-1	Adjusting Gauge Wheel Height . . . . .	30-10
<b>Preparing the Baler</b>		<b>Attachments</b> . . . . .	35-1
Breaking in the Baler . . . . .	15-1	<b>Lubrication and Maintenance</b>	
Securing Jackstand . . . . .	15-1	Extreme Pressure Grease . . . . .	40-1
Positioning Tongue . . . . .	15-2	Transmission, Hydraulic and Gear Case Oil . . . . .	40-1
Attaching Hydraulic Tongue Positioning Cylinder . . . . .	15-2	Gear Oil . . . . .	40-2
Selecting Correct Twine . . . . .	15-3	Multiluber Grease . . . . .	40-2
Loading Twine Box . . . . .	15-3	Alternative Lubricants . . . . .	40-2
Using Modified Square Knot—Sisal Twine . . . . .	15-3	Lubrication and Maintenance	
Using Sheet Bend Knot—Plastic Twine . . . . .	15-4	As Required . . . . .	40-3
Threading Right-Hand Needle . . . . .	15-4	Every 5 Hours . . . . .	40-4
Threading Left-Hand Needle . . . . .	15-5	Every 10 Hours . . . . .	40-5
After Threading Needles . . . . .	15-6	Every 10 Hours . . . . .	40-6
Selecting Proper Tire Inflation . . . . .	15-7	Every 100 Hours . . . . .	40-7
		Each Season . . . . .	40-8
<b>Attaching and Detaching</b> . . . . .	20-1	<b>Knotter Troubleshooting</b> . . . . .	45-1
<b>Transporting</b> . . . . .	25-1	<b>General Troubleshooting</b> . . . . .	50-1
<b>Operating the Baler</b>		<b>Service</b>	
Starting and Operating the Baler . . . . .	30-1	Placing Needles in Home Position . . . . .	55-1
Preparing the Crop . . . . .	30-1	Timing the Baler . . . . .	55-2
Selecting Correct Direction of Travel . . . . .	30-2	Adjusting Bale Measuring Control . . . . .	55-4
Understanding the Tying Cycle . . . . .	30-2	Adjusting Crank Stop . . . . .	55-6
Replacing Flywheel Shear Bolt . . . . .	30-4	Adjusting Knotter Drive Brake . . . . .	55-7
Replacing Knotter and Needle Drive Shear Bolt . . . . .	30-5	Adjusting Needle Frame and Needle Link . . . . .	55-7
Adjusting Compressor Rods . . . . .	30-5	Adjusting Needle . . . . .	55-8
Removing Compressor Rods . . . . .	30-6	Adjusting Twine Holder . . . . .	55-9
Adjusting Twine Tension . . . . .	30-6	Adjusting Tucker Fingers . . . . .	55-10
Checking Twine Knot Strength . . . . .	30-7	Adjusting Knife Arm . . . . .	55-11
Adjusting Feeder Fingers . . . . .	30-7	Replacing Knife and Wiper Plate . . . . .	55-13
Adjusting Bale Length . . . . .	30-8	Adjusting Knotter Gears . . . . .	55-14
Adjusting Bale Weight and Hydraulic Tension . . . . .	30-8	Removing Knotter Assembly . . . . .	55-15
Adjusting Height of Pickup Teeth . . . . .	30-10	Replacing Billhook Cam . . . . .	55-15

Continued on next page

*All information, illustrations and specifications in this manual are based on the latest information available at the time of publication. The right is reserved to make changes at any time without notice.*

OME81606 H1-19-27JUN91

COPYRIGHT© 1991  
DEERE & COMPANY  
Moline, Illinois  
All rights reserved  
A John Deere ILLUSTRATION® Manual  
Previous Editions  
Copyright 1989, 1988 Deere & Company

Contents

	<b>Page</b>
Multi-Twine and Sisal Billhooks . . . . .	55-16
Adjusting Twine Disk . . . . .	55-16
Adjusting Billhook Tongue . . . . .	55-17
Adjusting Slip Clutch . . . . .	55-18
Adjusting Pickup Flotation . . . . .	55-19
Adjusting Bale Counter . . . . .	55-20
Adjusting Auger Drive Slip Clutch . . . . .	55-20
Adjusting Plungerhead . . . . .	55-21
Adjusting Hydraulic Bale Tension Pump Chain . . . . .	55-26
Checking Multi-Luber . . . . .	55-27
Broken Oil Lines . . . . .	55-27
Adjusting Feeder Finger Chain . . . . .	55-28
Adjusting Main Drive Chain . . . . .	55-28
<b>Storage . . . . .</b>	<b>60-1</b>
<b>Crime Prevention Tips . . . . .</b>	<b>65-1</b>
<b>Assembly . . . . .</b>	<b>70-1</b>
<b>Specifications . . . . .</b>	<b>75-1</b>
<b>Index</b>	

# Safety

## RECOGNIZE SAFETY INFORMATION

This is the safety-alert symbol. When you see this symbol on your machine or in this manual, be alert to the potential for personal injury.

Follow recommended precautions and safe operating practices.



DX,ALERT -19-04JUN90

T81389 -UN-07DEC68

## UNDERSTAND SIGNAL WORDS

A signal word—DANGER, WARNING, or CAUTION—is used with the safety-alert symbol. DANGER identifies the most serious hazards.

DANGER or WARNING safety signs are located near specific hazards. General precautions are listed on CAUTION safety signs. CAUTION also calls attention to safety messages in this manual.



DX,SIGNAL -19-04JUN90

TS187 -19-30SEP88

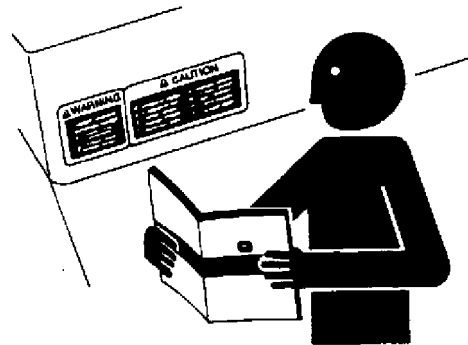
## FOLLOW SAFETY INSTRUCTIONS

Carefully read all safety messages in this manual and on your machine safety signs. Keep safety signs in good condition. Replace missing or damaged safety signs. Be sure new equipment components and repair parts include the current safety signs. Replacement safety signs are available from your John Deere dealer.

Learn how to operate the machine and how to use controls properly. Do not let anyone operate without instruction.

Keep your machine in proper working condition. Unauthorized modifications to the machine may impair the function and/or safety and affect machine life.

If you do not understand any part of this manual and need assistance, contact your John Deere dealer.



DX,READ -19-04JUN90

TS201 -UN-23AUG88



## OPERATE BALER SAFELY

Keep all shields in place when operating baler.

Before tripping knotters by hand, removing twine or wire from bale case or knotters, or removing hay from pickup:

- Disengage all power.
- Shut off engine.
- Wait until all moving parts have stopped.

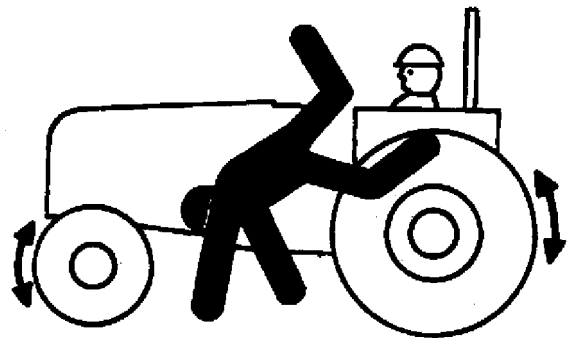
Stand clear of needle frame.

E01,338C,A -19-17MAR87

## KEEP RIDERS OFF MACHINE

Only allow the operator on the machine. Keep riders off.

Riders on machine are subject to injury such as being struck by foreign objects and being thrown off of the machine. Riders also obstruct the operator's view resulting in the machine being operated in an unsafe manner.



DX,RIDER -19-04JUN90

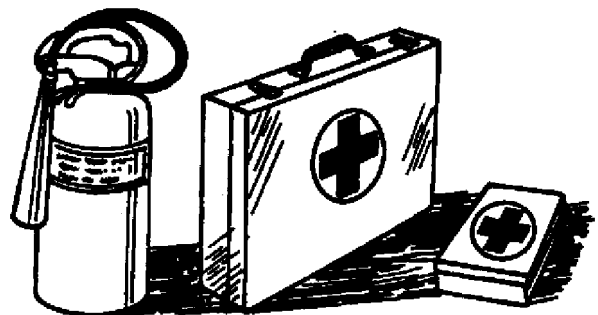
TS290  
-UN-23AUG88

## PREPARE FOR EMERGENCIES

Be prepared if a fire starts.

Keep a first aid kit and fire extinguisher handy.

Keep emergency numbers for doctors, ambulance service, hospital, and fire department near your telephone.



DX,FIRE2 -19-04JUN90

TS291  
-UN-23AUG88



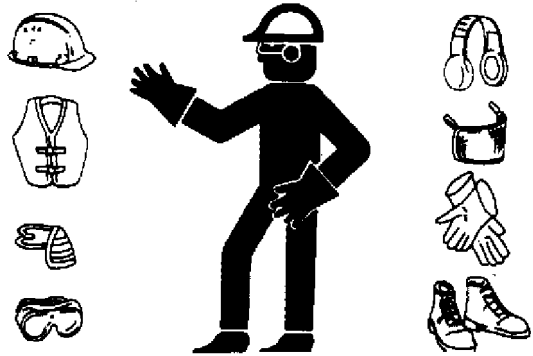
## WEAR PROTECTIVE CLOTHING

Wear close fitting clothing and safety equipment appropriate to the job.

Prolonged exposure to loud noise can cause impairment or loss of hearing.

Wear a suitable hearing protective device such as earmuffs or earplugs to protect against objectionable or uncomfortable loud noises.

Operating equipment safely requires the full attention of the operator. Do not wear radio or music headphones while operating machine.



DX,WEAR -19-10SEP90

TS206 -UN-23AUG88

## PROTECT AGAINST NOISE

Prolonged exposure to loud noise can cause impairment or loss of hearing.

Wear a suitable hearing protective device such as earmuffs or earplugs to protect against objectionable or uncomfortable loud noises.



DX,NOISE -19-04JUN90

TS207 -UN-23AUG88

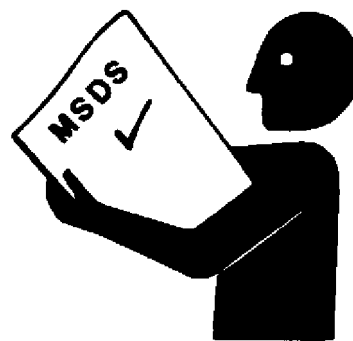
## HANDLE CHEMICAL PRODUCTS SAFELY

Direct exposure to hazardous chemicals can cause serious injury. Potentially hazardous chemicals used with John Deere equipment include such items as lubricants, coolants, paints, and adhesives.

A Material Safety Data Sheet (MSDS) provides specific details on chemical products: physical and health hazards, safety procedures, and emergency response techniques.

Check the MSDS before you start any job using a hazardous chemical. That way you will know exactly what the risks are and how to do the job safely. Then follow procedures and recommended equipment.

(See your John Deere dealer for MSDS's on chemical products used with John Deere equipment.)



DX,MSDS,NA -19-15MAR91

TS1132 -UN-26NOV90



## STAY CLEAR OF ROTATING DRIVELINES

Entanglement in rotating driveline can cause serious injury or death.

Keep tractor master shield and driveline shields in place at all times. Make sure rotating shields turn freely.

Wear close fitting clothing. Stop the engine and be sure PTO driveline is stopped before making adjustments, connections, or cleaning out PTO driven equipment.



DX,PTO -19-04JUN90

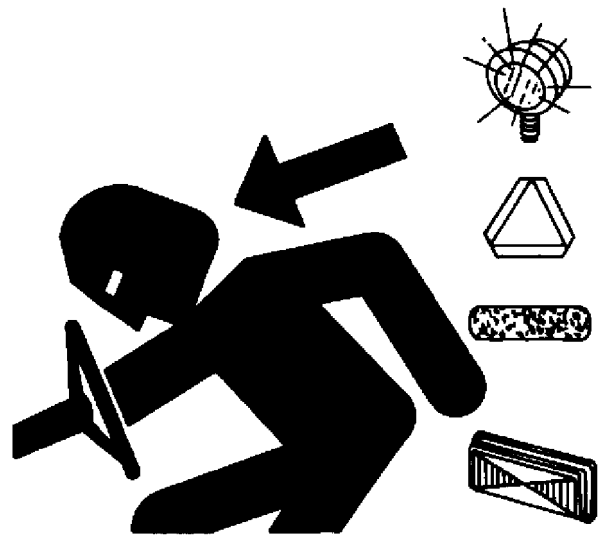
TS198 -UN-23AUG88

## USE SAFETY LIGHTS AND DEVICES

Slow moving tractors, self-propelled equipment and towed implements or attachments can create a hazard when driven on public roads. They are difficult to see, especially at night. Avoid personal injury or death resulting from collision with a vehicle.

Flashing warning lights and turn signals are recommended whenever driving on public roads. To increase visibility, use the lights and devices provided with your machine. For some equipment, install extra flashing warning lights.

Keep safety items in good condition. Replace missing or damaged items. An implement safety lighting kit is available from your John Deere dealer.



DX,FLASH -19-04JUN90

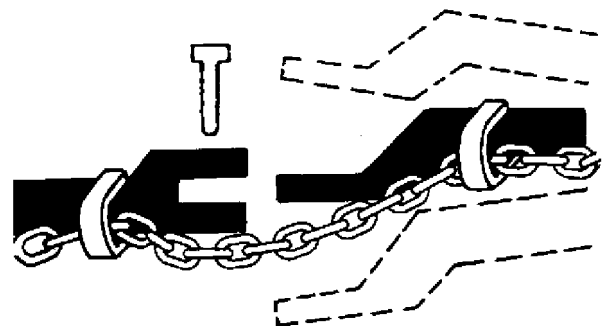
TS951 -UN-12APR90

## USE A SAFETY CHAIN

A safety chain will help control drawn equipment should it accidentally separate from the drawbar.

Using the appropriate adapter parts, attach the chain to the tractor drawbar support or other specified anchor location. Provide only enough slack in the chain to permit turning.

See your John Deere dealer for a chain with a strength rating equal to or greater than the gross weight of the towed machine. Do not use safety chain for towing.



DX,CHAIN -19-04JUN90

TS217 -UN-23AUG88



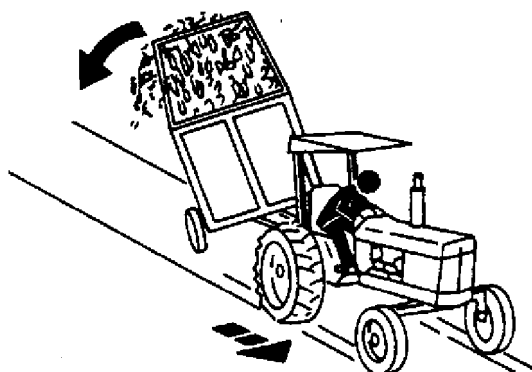


## REDUCE SPEED WHEN TOWING LOADS

Braking to stop towed loads from transport speeds can cause the towed load to swerve and upset. Reduce speed if towed load weighs more than the tractor and is not equipped with brakes.

Follow recommended speed-weight ratio guidelines:

- Maximum speed is 20 mph (32 km/h) when towing load equal to or less in weight than the tractor.
- Reduce speed to 10 mph (16 km/h) when towing load up to double the tractor weight.
- Do not tow loads exceeding double the tractor weight.
- Use additional caution when towing loads under adverse surface conditions, when turning, and on inclines.



TS216 -UN-23AUG88

DX,TOW -19-04JUN90

## PRACTICE SAFE MAINTENANCE

Understand service procedure before doing work. Keep area clean and dry.

Never lubricate or service machine while it is moving. Keep hands, feet, and clothing from power-driven parts. Disengage all power and operate controls to relieve pressure. Lower equipment to the ground. Stop the engine. Remove the key. Allow machine to cool.

Securely support any machine elements that must be raised for service work.

Keep all parts in good condition and properly installed. Fix damage immediately. Replace worn or broken parts. Remove any buildup of grease, oil, or debris.

Disconnect battery ground cable (-) before making adjustments on electrical systems or welding on machine.



TS216 -UN-23AUG88

DX,SERV -19-04JUN90



## REMOVE PAINT BEFORE WELDING OR HEATING

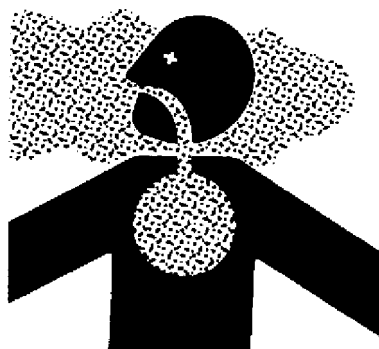
Avoid potentially toxic fumes and dust.

Hazardous fumes can be generated when paint is heated by welding, soldering, or using a torch.

Do all work outside or in a well ventilated area. Dispose of paint and solvent properly.

Remove paint before welding or heating:

- If you sand or grind paint, avoid breathing the dust. Wear an approved respirator.
- If you use solvent or paint stripper, remove stripper with soap and water before welding. Remove solvent or paint stripper containers and other flammable material from area. Allow fumes to disperse at least 15 minutes before welding or heating.



DX,PAINT -19-04JUN90

TS220 -UN-23AUG68

## AVOID HEATING NEAR PRESSURIZED FLUID LINES

Flammable spray can be generated by heating near pressurized fluid lines, resulting in severe burns to yourself and bystanders. Do not heat by welding, soldering, or using a torch near pressurized fluid lines or other flammable materials. Pressurized lines can be accidentally cut when heat goes beyond the immediate flame area.



DX,TORCH -19-05OCT90

TS953 -UN-15MAY90



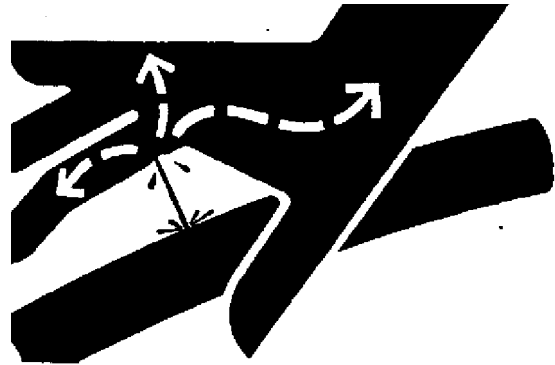
## AVOID HIGH-PRESSURE FLUIDS

Escaping fluid under pressure can penetrate the skin causing serious injury.

Avoid the hazard by relieving pressure before disconnecting hydraulic or other lines. Tighten all connections before applying pressure.

Search for leaks with a piece of cardboard. Protect hands and body from high pressure fluids.

If an accident occurs, see a doctor immediately. Any fluid injected into the skin must be surgically removed within a few hours or gangrene may result. Doctors unfamiliar with this type of injury may call the Deere & Company Medical Department in Moline, Illinois, or other knowledgeable medical source.



X9811 -UN-23AUG88

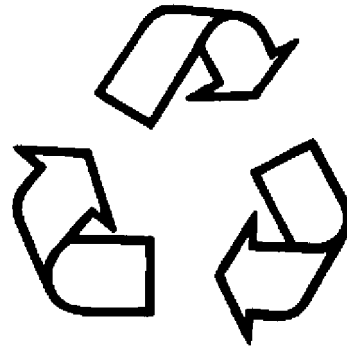
DX,FLUID,NA -19-11JUN90

## DISPOSE OF WASTE PROPERLY

Improperly disposing of waste can threaten the environment and ecology. Potentially harmful waste used with John Deere equipment include such items as oil, fuel, coolant, brake fluid, filters, and batteries.

Use leakproof containers when draining fluids. Do not use food or beverage containers that may mislead someone into drinking from them.

Inquire on the proper way to recycle or dispose of waste from your local environmental or recycling center, or from your John Deere dealer. Do not pour waste onto the ground, down a drain, or into any water source.



TS1133 -UN-26NOV90

DX,DRAIN -19-15MAR91

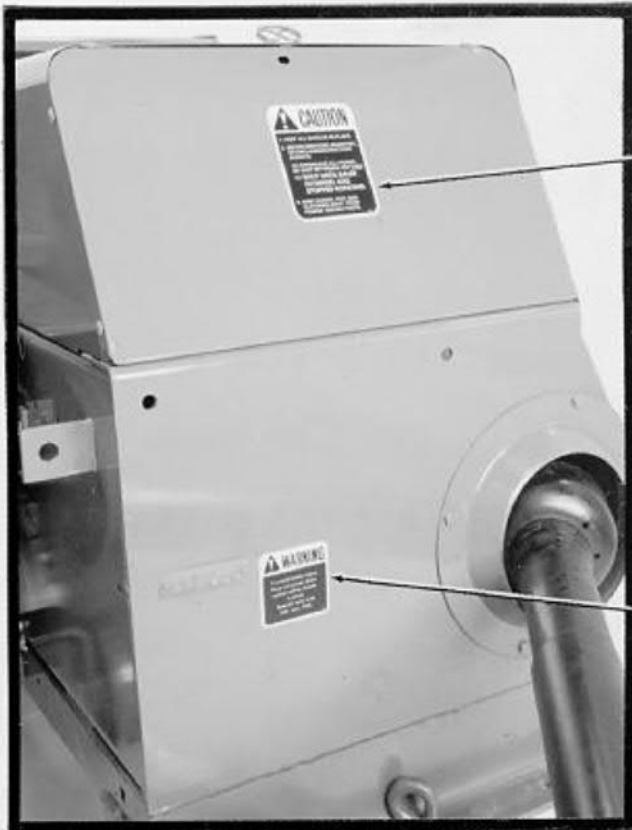


**⚠ DANGER**



Entanglement in rotating driveline can cause serious injury or death.

Keep all shields in place. Avoid contact with rotating parts.



**⚠ CAUTION**

1. KEEP ALL SHIELDS IN PLACE.
2. BEFORE SERVICING, ADJUSTING, OR UNCLOGGING MACHINE ALWAYS:
  - (A) DISENGAGE ALL POWER,
  - (B) SHUT OFF ENGINE, AND THEN
  - (C) **WAIT UNTIL BALER FLYWHEEL HAS STOPPED ROTATING.**
3. KEEP HANDS, FEET AND CLOTHING AWAY FROM POWER-DRIVEN PARTS.

**⚠ WARNING**

To avoid bodily injury, Keep all power drive system safety shields in place.

Operate only with 540 rpm PTO.

-19-15MAR89  
E28851

# Preparing the Tractor

## TRACTOR PTO SPEED

**IMPORTANT: NEVER operate baler with 1000 rpm PTO tractor.**

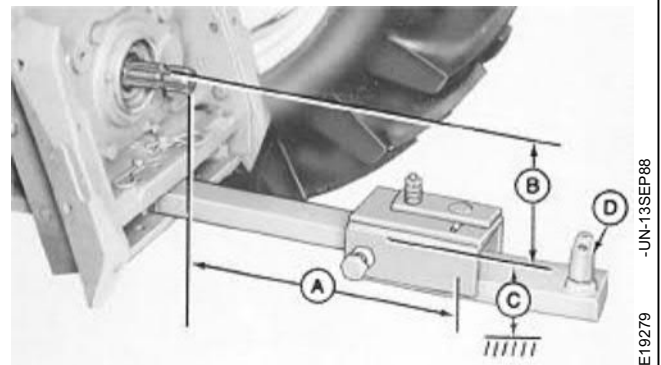
This baler is equipped to operate with a 540 rpm power takeoff.

E01,468V,A -19-18MAY88

## ADJUSTING THE DRAWBAR

*NOTE: Shield removed for illustration.*

1. Adjust tractor drawbar to measure 14 in. (356 mm) (A).
2. Adjust drawbar to 6-12 in. (152-305 mm) clearance (B) and 13-20 in. (330-508 mm) (C) clearance to ground.
3. Position drawbar to align hitch pin hole with centerline of tractor power takeoff shaft.



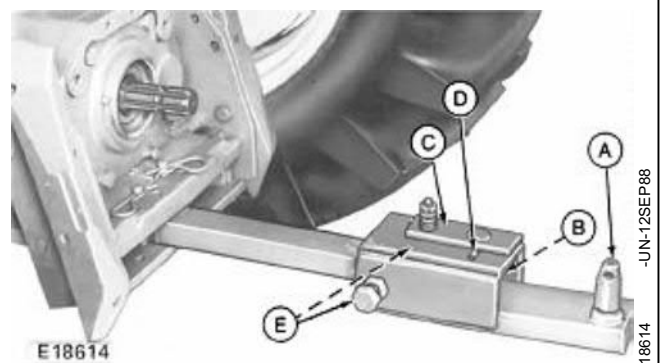
- A—14 in. (356 mm)
- B—6-12 in. (152-305 mm)
- C—13-20 in. (330-508 mm)
- D—Equal Angle Hitch

E01,468V,B -19-18MAY88

## ATTACHING HITCH TO DRAWBAR

*NOTE: Shield removed for illustration.*

1. Slide hitch (A) onto tractor drawbar.
2. Put shims (B) between drawbar and hitch for a tight fit. Store extra shims under strap (C).
3. Fasten using hitch pin and spring pin (D).
4. Tighten adjusting bolts (E) on both sides of equal angle hitch. Tighten nuts against hitch.



- A—Hitch
- B—Shims
- C—Strap
- D—Spring Pin
- E—Bolts

E01,468V,C -19-18MAY88

**CHECKING BALLAST, WHEEL SPACING,  
AND TIRE INFLATION**

Provide sufficient weight to stabilize tractor when operating on hilly land or other adverse conditions. See your tractor operator's manual.

Insure proper stability by adjusting ballast, wheel spacing and tire inflation. See your tractor operator's manual.

E01,468V,D -19-07JAN87

# Preparing the Baler

## BREAKING IN THE BALER

After attaching baler to tractor, tighten bolts and check chain tensions.

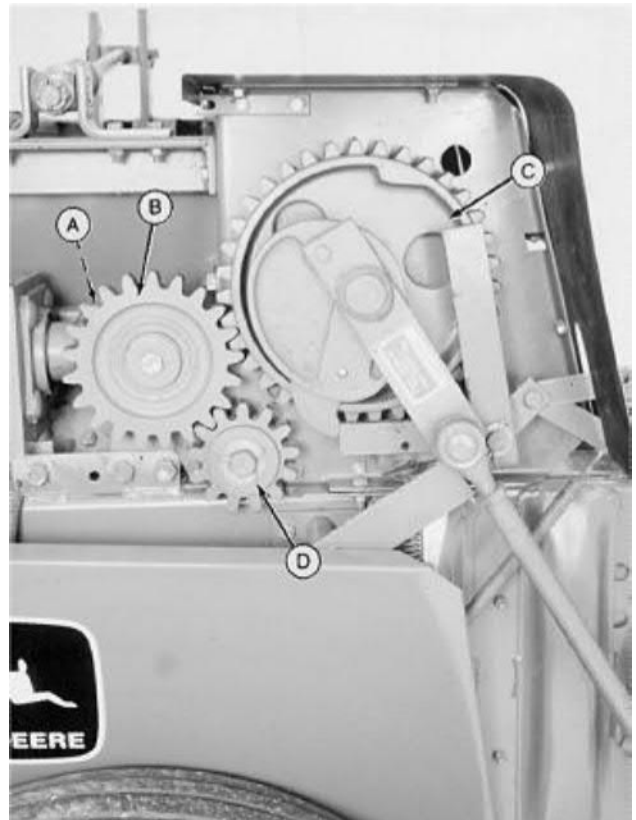
*NOTE: Grease has been applied at the factory to knotter area. Some misses in tying may occur on the first few bales due to this grease. Do not attempt to make adjustment until all knotter parts have had time to become thoroughly polished by the twine.*

Drive gears must be lubricated prior to break-in period to ensure that any casting irregularities will become worn smooth. Apply a liberal coating of multipurpose grease to each tooth on all gears shown. This must be done before the 1-hour empty running break-in procedure described below.

**CAUTION:** Disengage all power, shut off engine, and wait until all moving parts have stopped before inspecting baler.

Give new baler an empty running break-in period of at least 1 hour to allow parts to work in gradually. After 5 minutes at slow idling speed, stop machine and inspect for loose bolts, hot bearings, binding parts, chain tension, etc.

Run baler at slow idling speed for 30 minutes, and increase to full speed for the rest of the period. Inspect baler frequently during break-in period. Never trip baler at full rpm without twine in twine disk holder.

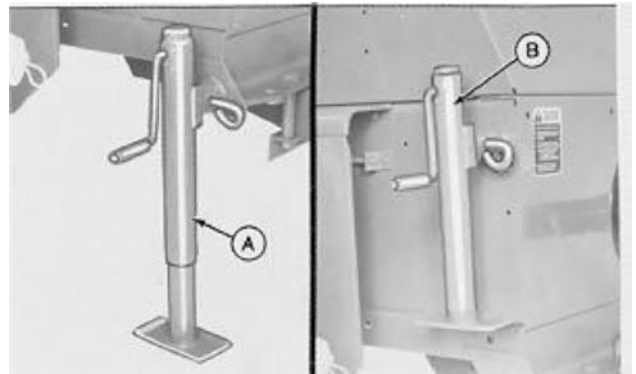


A—Main Drive Gear  
B—Cluster Gear  
C—Clutch Ring Gear  
D—Auger Drive Gear

E01,4681,A -19-18MAY88

## SECURING JACKSTAND

Secure jackstand (A) in storage location (B) when operating or transporting baler.

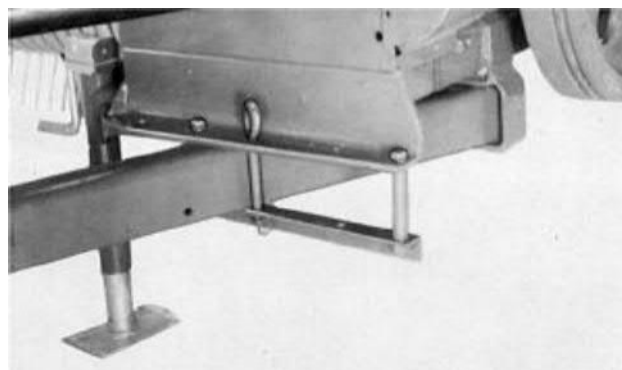


E01,4681,B -19-11FEB87

## Preparing the Baler

### POSITIONING TONGUE

1. Put a block in front of right-hand wheel.
2. Remove pin.
3. Shift tongue to left for operating position and right for transport position.
4. Secure tongue with pin.



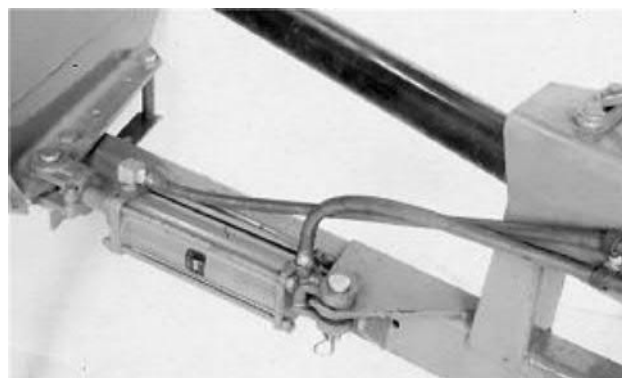
E19435  
-UN-12SEP88

E01,468I,C -19-16DEC86

### ATTACHING HYDRAULIC TONGUE POSITIONING CYLINDER

**IMPORTANT:** Use double-acting 8-in. (203 mm) hydraulic cylinder with a minimum 3-in. (76 mm) bore.

1. Install hydraulic cylinder.
2. Attach hose clamps using a 3/8 x 1-in. cap screw and lock nut.



E22000  
-UN-12SEP88

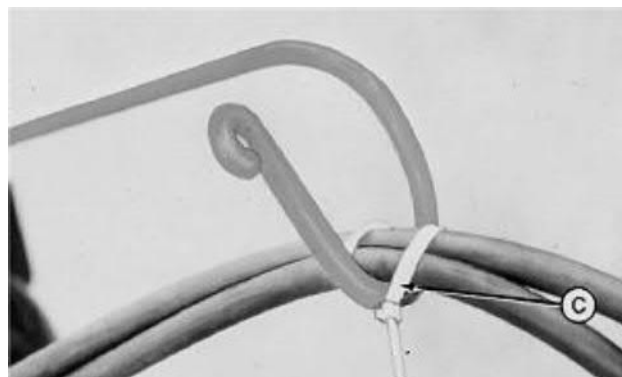
E01,468I,D -19-16DEC86

3. Attach appropriate couplers on left-hand side of tractor.
4. Put hoses in support and secure with plastic tie (C). Leave enough slack in hoses to allow for movement of baler.

**IMPORTANT:** Excessive hydraulic operating speed may cause damage. Use a slow (turtle) speed when changing tongue position.

**IMPORTANT:** Disengage PTO before attempting to position tongue hydraulically to avoid drive train damage.

5. Slowly operate hydraulic cylinder several times. Hold tractor remote hydraulic control lever in operating position for a few seconds to clear air in the hydraulic system.



E22704  
-UN-12SEP88

E01,468I,E -19-16DEC86



Thank you so much for reading.  
Please click the “Buy Now!”  
button below to download the  
complete manual.



After you pay.

You can download the most  
perfect and complete manual in  
the world immediately.

Our support email:

[ebooklibonline@outlook.com](mailto:ebooklibonline@outlook.com)