

348 Baler

(Serial No. 943001-)

John Deere Ottumwa Works
OME82253 Issue H2
(Mark old manual OME81604 H1 for
machines up to Serial No. 943001)

LITHO IN U.S.A.
ENGLISH

Introduction

READ THIS MANUAL carefully to learn how to operate and service your machine correctly. Failure to do so could result in personal injury or equipment damage.

THIS MANUAL SHOULD BE CONSIDERED a permanent part of your machine and should remain with the machine when you sell it.

MEASUREMENTS in this manual are given in both metric and customary U.S. unit equivalents. Use only correct replacement parts and fasteners. Metric and inch fasteners may require a specific metric or inch wrench.

RIGHT-HAND AND LEFT-HAND sides are determined by facing in the direction the implement will travel when going forward.

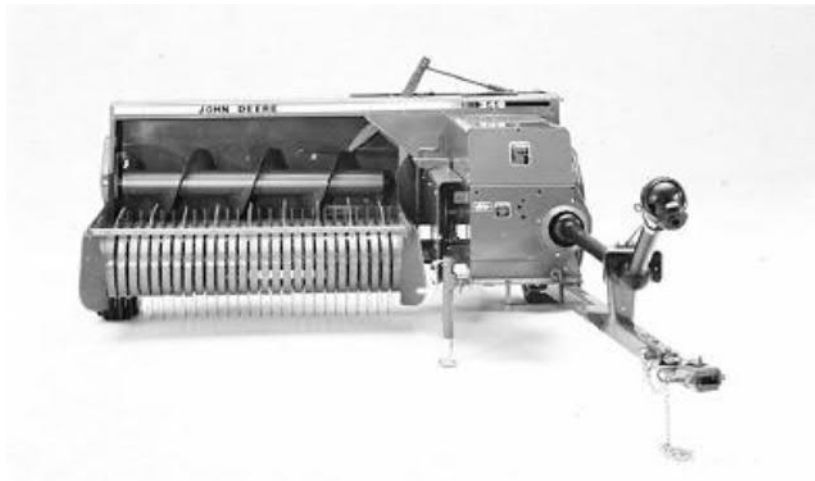
WRITE PRODUCT IDENTIFICATION NUMBERS (P.I.N.) in the Specification section. Accurately record all the numbers to help in tracing the machine should it be stolen. Your dealer also needs these numbers

when you order parts. File the identification numbers in a secure place off the machine.

WARRANTY is provided as part of John Deere's support program for customers who operate and maintain their equipment as described in this manual. The warranty is explained on the warranty certificate which you should have received from your dealer.

This warranty provides you the assurance that John Deere will back its products where defects appear within the warranty period. In some circumstances, John Deere also provides field improvements, often without charge to the customer, even if the product is out of warranty. Should the equipment be abused, or modified to change its performance beyond the original factory specifications, the warranty will become void and field improvements may be denied. Setting fuel delivery above specifications or otherwise overpowering machines will result in such action.

THE TIRE MANUFACTURER'S warranty applicable to your machine may not apply outside the U.S.



John Deere 348 Baler

-UN-27MAR92

E36805

EX,348A,IFC -19-20MAR92

Contents

	Page		Page
Safety			
Preparing the Tractor	10-1	Adjusting Bale Weight	30-9
Preparing the Baler		Adjusting Bale Weight with Hydraulic Bale Tension	30-10
Breaking in the Baler	15-1	Adjusting Height of Pickup Teeth	30-11
Securing Jackstand	15-1	Adjusting Height of Pickup Teeth w/Optional Hydraulic Lift	30-11
Positioning Tongue	15-2	Adjusting Gauge Wheel Height	30-12
Attaching Hydraulic Tongue Positioning Cylinder	15-2	Attachments	35-1
Selecting Correct Twine and Wire	15-3	Lubrication and Maintenance	
Loading Twine Box	15-3	Extreme Pressure Grease	40-1
Using Modified Square Knot—Sisal Twine	15-3	Gear Case Oil	40-2
Using Sheet Bend Knot—Plastic Twine	15-4	Multiluber Grease	40-2
Threading Right-Hand Needle	15-4	Alternative Lubricants	40-3
Threading Left-Hand Needle	15-5	Chains	40-3
After Threading Needles	15-6	Lubrication and Maintenance	
Loading Wire Box	15-6	As Required	40-4
Threading Needles—Wire Baler	15-7	Every 5 Hours	40-4
Selecting Proper Tire Inflation	15-8	Every 10 Hours	40-5
Attaching and Detaching	20-1	Every 10 Hours	40-6
Transporting	25-1	Every 100 Hours	40-7
Operating the Baler		Each Season	40-8
Starting and Operating the Baler	30-1	Knotter Troubleshooting	45-1
Preparing the Crop	30-1	Twister Mechanism Troubleshooting	50-1
Selecting Correct Direction of Travel	30-2	General Troubleshooting	55-1
Understanding the Tying Cycle	30-2	Service	
Understanding the Twisting Cycle	30-3	Placing Needles in Home Position	60-2
Replacing Flywheel Shear Bolt	30-5	Timing the Baler	60-3
Replacing Knotter and Needle Drive Shear Bolt	30-6	Adjusting Bale Measuring Control	60-5
Adjusting Compressor Rods	30-6	Adjusting Crank Stop	60-7
Removing Compressor Rods	30-7	Adjusting Knotter Drive Brake	60-8
Adjusting Twine Tension	30-7		
Checking Twine Knot Strength	30-8		
Adjusting Feeder Fingers	30-8		
Adjusting Bale Length	30-9		

Continued on next page

All information, illustrations and specifications in this manual are based on the latest information available at the time of publication. The right is reserved to make changes at any time without notice.

OME82253 H2-19-25JUN92

COPYRIGHT© 1992
DEERE & COMPANY
Moline, Illinois
All rights reserved
A John Deere ILLUSTRATION® Manual
Previous Editions
Copyright 1991, 1989, 1988, 1987 Deere & Company

Contents

	Page
Adjusting Needle Frame and Needle Link	60-8
Adjusting Needle	60-9
Adjusting Twine Holder	60-10
Adjusting Tucker Fingers	60-11
Adjusting Knife Arm	60-13
Replacing Knife and Wiper Plate	60-15
Adjusting Knotter Gears	60-16
Replacing Billhook Cam	60-17
Multi-Twine and Sisal Billhooks	60-18
Adjusting Twine Disk	60-18
Adjusting Billhook Tongue	60-19
Adjusting Needles—Wire Baler	60-20
Adjusting Needle Lift Link—Wire Baler	60-21
Adjusting Wire Guides	60-22
Adjusting Grippers	60-23
Adjusting Twister Hooks	60-23
Adjusting Bevel Gear and Pinion	60-24
Adjusting Intermittent Drive Gear—Wire Baler	60-24
Adjusting Slip Clutch	60-25
Adjusting Pickup Flotation	60-27
Adjusting Auger Drive Belt	60-27
Adjusting Bale Counter	60-28
Adjusting Plungerhead	60-29
Adjusting Hydraulic Bale Tension Pump Chain	60-34
Adjusting Feeder Finger and Main Drive Chains	60-34
Checking Multiluber	60-35
Broken Oil Lines	60-35
 Storage	 65-1
 Assembly	 70-1
 Specifications	 75-1
 Crime Prevention Tips	 80-1
 Index	

Safety

RECOGNIZE SAFETY INFORMATION

This is the safety-alert symbol. When you see this symbol on your machine or in this manual, be alert to the potential for personal injury.

Follow recommended precautions and safe operating practices.



DX,ALERT -19-04JUN90

T81389 -UN-07DEC88

UNDERSTAND SIGNAL WORDS

A signal word—DANGER, WARNING, or CAUTION—is used with the safety-alert symbol. DANGER identifies the most serious hazards.

DANGER or WARNING safety signs are located near specific hazards. General precautions are listed on CAUTION safety signs. CAUTION also calls attention to safety messages in this manual.



DX,SIGNAL -19-09JAN92

TS187 -19-30SEP88

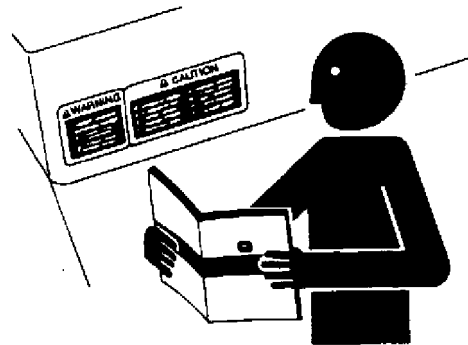
FOLLOW SAFETY INSTRUCTIONS

Carefully read all safety messages in this manual and on your machine safety signs. Keep safety signs in good condition. Replace missing or damaged safety signs. Be sure new equipment components and repair parts include the current safety signs. Replacement safety signs are available from your John Deere dealer.

Learn how to operate the machine and how to use controls properly. Do not let anyone operate without instruction.

Keep your machine in proper working condition. Unauthorized modifications to the machine may impair the function and/or safety and affect machine life.

If you do not understand any part of this manual and need assistance, contact your John Deere dealer.



DX,READ -19-04JUN90

TS201 -UN-23AUG88



OPERATE BALER SAFELY

Keep all shields in place when operating baler.

Before tripping knotters by hand, removing twine or wire from bale case or knotters, or removing hay from pickup:

- Disengage all power.
- Shut off engine.
- Wait until all moving parts have stopped.

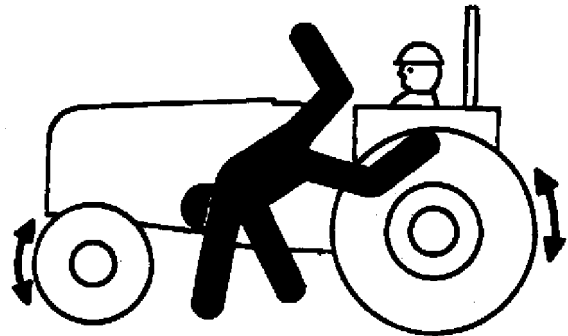
Stand clear of needle frame.

E01,338C,A -19-17MAR87

KEEP RIDERS OFF MACHINE

Only allow the operator on the machine. Keep riders off.

Riders on machine are subject to injury such as being struck by foreign objects and being thrown off of the machine. Riders also obstruct the operator's view resulting in the machine being operated in an unsafe manner.



DX,RIDER -19-04JUN90

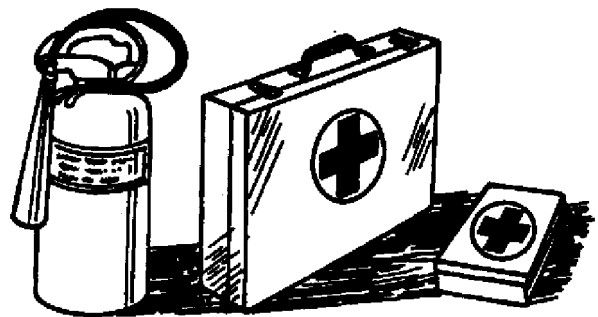
TS290
-UN-23AUG88

PREPARE FOR EMERGENCIES

Be prepared if a fire starts.

Keep a first aid kit and fire extinguisher handy.

Keep emergency numbers for doctors, ambulance service, hospital, and fire department near your telephone.



DX,FIRE2 -19-04JUN90

TS291
-UN-23AUG88



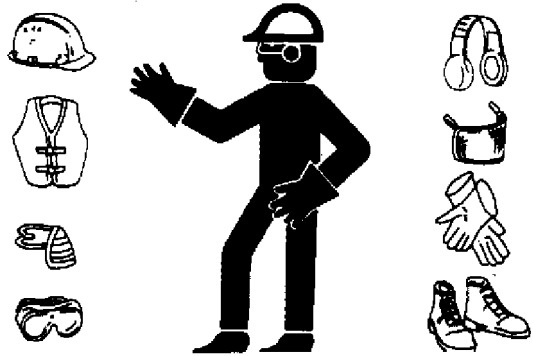
WEAR PROTECTIVE CLOTHING

Wear close fitting clothing and safety equipment appropriate to the job.

Prolonged exposure to loud noise can cause impairment or loss of hearing.

Wear a suitable hearing protective device such as earmuffs or earplugs to protect against objectionable or uncomfortable loud noises.

Operating equipment safely requires the full attention of the operator. Do not wear radio or music headphones while operating machine.



DX,WEAR -19-10SEP90

TS206 -UN-23AUG88

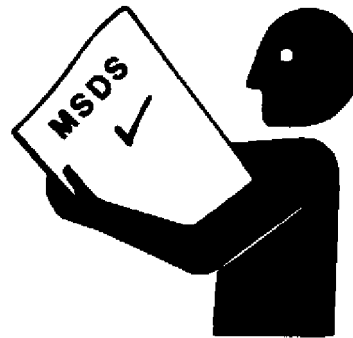
HANDLE CHEMICAL PRODUCTS SAFELY

Direct exposure to hazardous chemicals can cause serious injury. Potentially hazardous chemicals used with John Deere equipment include such items as lubricants, coolants, paints, and adhesives.

A Material Safety Data Sheet (MSDS) provides specific details on chemical products: physical and health hazards, safety procedures, and emergency response techniques.

Check the MSDS before you start any job using a hazardous chemical. That way you will know exactly what the risks are and how to do the job safely. Then follow procedures and recommended equipment.

(See your John Deere dealer for MSDS's on chemical products used with John Deere equipment.)



DX,MSDS,NA -19-15MAR91

TS1132 -UN-26NOV90

STAY CLEAR OF ROTATING DRIVELINES

Entanglement in rotating driveline can cause serious injury or death.

Keep tractor master shield and driveline shields in place at all times. Make sure rotating shields turn freely.

Wear close fitting clothing. Stop the engine and be sure PTO driveline is stopped before making adjustments, connections, or cleaning out PTO driven equipment.



DX,PTO -19-04JUN90

TS198 -UN-23AUG88

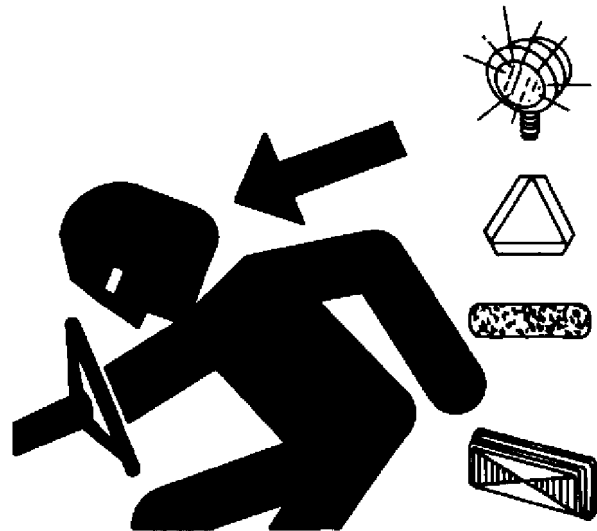


USE SAFETY LIGHTS AND DEVICES

Slow moving tractors, self-propelled equipment and towed implements or attachments can create a hazard when driven on public roads. They are difficult to see, especially at night. Avoid personal injury or death resulting from collision with a vehicle.

Flashing warning lights and turn signals are recommended whenever driving on public roads. To increase visibility, use the lights and devices provided with your machine. For some equipment, install extra flashing warning lights.

Keep safety items in good condition. Replace missing or damaged items. An implement safety lighting kit is available from your John Deere dealer.



DX,FLASH -19-04JUN90

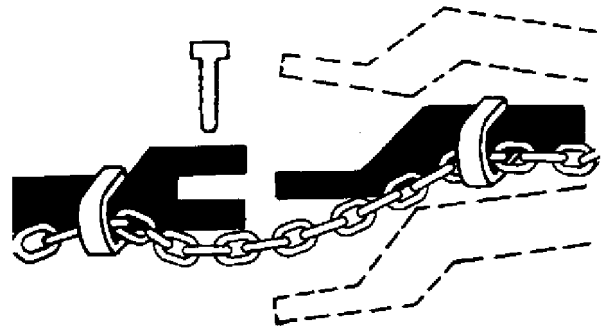
TS951 -UN-12APR90

USE A SAFETY CHAIN

A safety chain will help control drawn equipment should it accidentally separate from the drawbar.

Using the appropriate adapter parts, attach the chain to the tractor drawbar support or other specified anchor location. Provide only enough slack in the chain to permit turning.

See your John Deere dealer for a chain with a strength rating equal to or greater than the gross weight of the towed machine. Do not use safety chain for towing.



DX,CHAIN -19-04JUN90

TS217 -UN-23AUG88

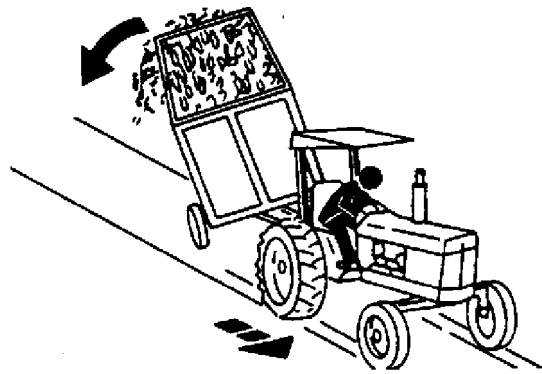


REDUCE SPEED WHEN TOWING LOADS

Braking to stop towed loads from transport speeds can cause the towed load to swerve and upset. Reduce speed if towed load weighs more than the tractor and is not equipped with brakes.

Follow recommended speed-weight ratio guidelines:

- Maximum speed is 32 km/h (20 mph) when towing load equal to or less in weight than the tractor.
- Reduce speed to 16 km/h (10 mph) when towing load up to double the tractor weight.
- Do not tow loads exceeding double the tractor weight.
- Use additional caution when towing loads under adverse surface conditions, when turning, and on inclines.



DX,TOW -19-27MAY92

TS216 -UN-23AUG88

PRACTICE SAFE MAINTENANCE

Understand service procedure before doing work. Keep area clean and dry.

Never lubricate or service machine while it is moving. Keep hands, feet, and clothing from power-driven parts. Disengage all power and operate controls to relieve pressure. Lower equipment to the ground. Stop the engine. Remove the key. Allow machine to cool.

Securely support any machine elements that must be raised for service work.

Keep all parts in good condition and properly installed. Fix damage immediately. Replace worn or broken parts. Remove any buildup of grease, oil, or debris.

Disconnect battery ground cable (-) before making adjustments on electrical systems or welding on machine.



DX,SERV -19-04JUN90

TS216 -UN-23AUG88



REMOVE PAINT BEFORE WELDING OR HEATING

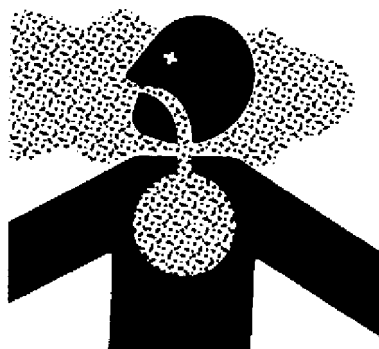
Avoid potentially toxic fumes and dust.

Hazardous fumes can be generated when paint is heated by welding, soldering, or using a torch.

Do all work outside or in a well ventilated area. Dispose of paint and solvent properly.

Remove paint before welding or heating:

- If you sand or grind paint, avoid breathing the dust. Wear an approved respirator.
- If you use solvent or paint stripper, remove stripper with soap and water before welding. Remove solvent or paint stripper containers and other flammable material from area. Allow fumes to disperse at least 15 minutes before welding or heating.



DX,PAINT -19-04JUN90

TS220 -UN-23AUG68

AVOID HEATING NEAR PRESSURIZED FLUID LINES

Flammable spray can be generated by heating near pressurized fluid lines, resulting in severe burns to yourself and bystanders. Do not heat by welding, soldering, or using a torch near pressurized fluid lines or other flammable materials. Pressurized lines can be accidentally cut when heat goes beyond the immediate flame area.



DX,TORCH -19-05OCT90

TS953 -UN-15MAY90



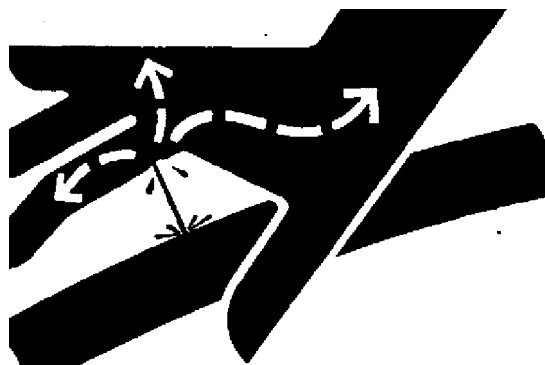
AVOID HIGH-PRESSURE FLUIDS

Escaping fluid under pressure can penetrate the skin causing serious injury.

Avoid the hazard by relieving pressure before disconnecting hydraulic or other lines. Tighten all connections before applying pressure.

Search for leaks with a piece of cardboard. Protect hands and body from high pressure fluids.

If an accident occurs, see a doctor immediately. Any fluid injected into the skin must be surgically removed within a few hours or gangrene may result. Doctors unfamiliar with this type of injury should reference a knowledgeable medical source. Such information is available from Deere & Company Medical Department in Moline, Illinois, U.S.A.



X9811 -UN-23AUG88

DX,FLUID -19-09AUG91

DISPOSE OF WASTE PROPERLY

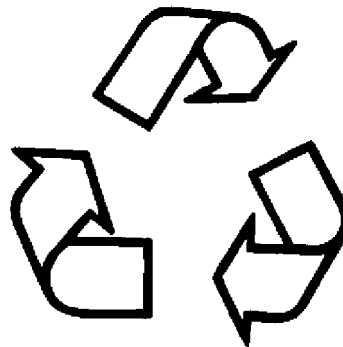
Improperly disposing of waste can threaten the environment and ecology. Potentially harmful waste used with John Deere equipment include such items as oil, fuel, coolant, brake fluid, filters, and batteries.

Use leakproof containers when draining fluids. Do not use food or beverage containers that may mislead someone into drinking from them.

Do not pour waste onto the ground, down a drain, or into any water source.

Air conditioning refrigerants escaping into the air can damage the Earth's atmosphere. Government regulations may require a certified air conditioning service center to recover and recycle used air conditioning refrigerants.

Inquire on the proper way to recycle or dispose of waste from your local environmental or recycling center, or from your John Deere dealer.



TS1133 -UN-26NOV90

DX,DRAIN -19-09AUG91

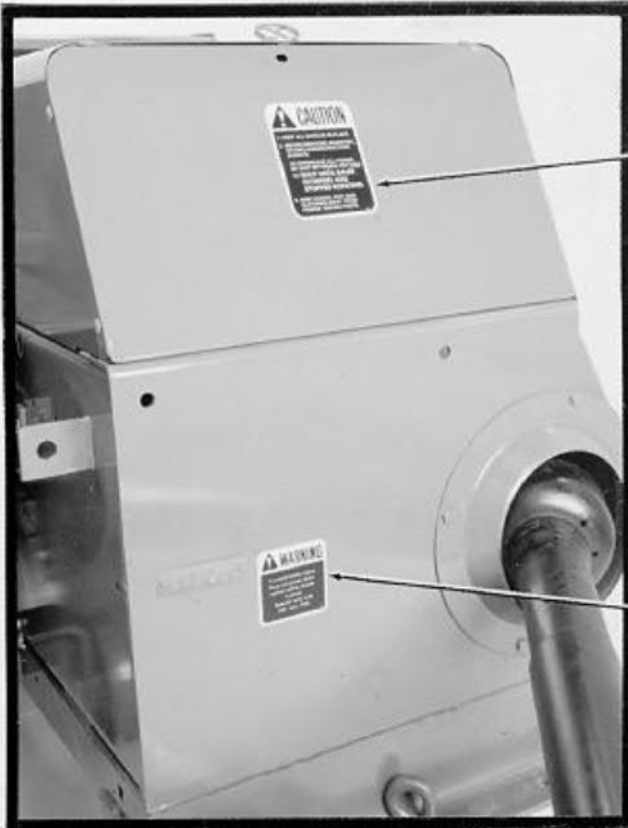


⚠ DANGER



Entanglement in rotating driveline can cause serious injury or death.

Keep all shields in place. Avoid contact with rotating parts.



⚠ CAUTION

1. KEEP ALL SHIELDS IN PLACE.
2. BEFORE SERVICING, ADJUSTING, OR UNCLOGGING MACHINE ALWAYS:
 - (A) DISENGAGE ALL POWER,
 - (B) SHUT OFF ENGINE, AND THEN
 - (C) **WAIT UNTIL BALER FLYWHEEL HAS STOPPED ROTATING.**
3. KEEP HANDS, FEET AND CLOTHING AWAY FROM POWER-DRIVEN PARTS.

40

⚠ WARNING

To avoid bodily injury, Keep all power drive system safety shields in place.

Operate only with 540 rpm PTO.

-19-15MAR89
E28851

Preparing the Tractor

TRACTOR PTO SPEED

IMPORTANT: NEVER operate baler with 1000 rpm PTO tractor.

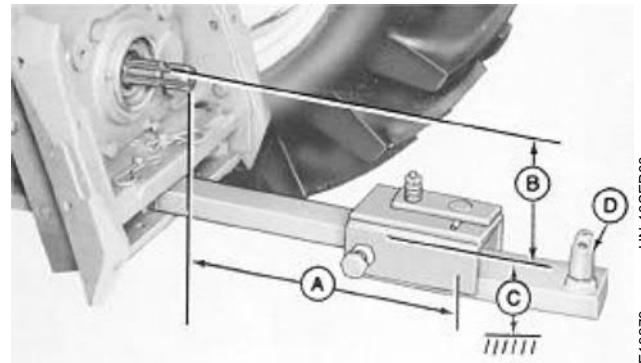
This baler is equipped to operate with a 540 rpm power takeoff.

E01,338V,D -19-17MAR87

ADJUSTING DRAWBAR

NOTE: Shield removed for illustration.

1. Adjust tractor drawbar to measure 14 in. (356 mm) (A) from end of PTO shaft to center of hole in drawbar.
2. Adjust drawbar to 6—12 in. (152—305 mm) clearance (B) and 13—20 in. (330—508 mm) (C) clearance to ground.
3. Position drawbar to align hitch pin hole with centerline of tractor power takeoff shaft.



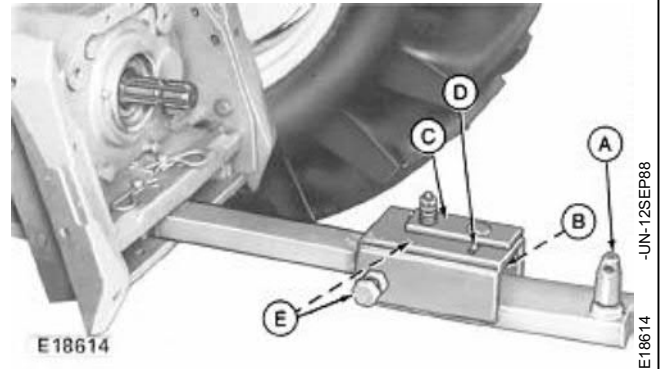
- A—14-in. (356 mm)
B—6—12 in. (152—305 mm)
C—13—20 in. (330—508 mm)
D—Equal Angle Hitch

E01,338V,A -19-29MAY92

ATTACHING HITCH TO DRAWBAR (3-JOINT)

NOTE: Shield removed for illustration.

1. Slide hitch (A) onto tractor drawbar.
2. Put shims (B) between drawbar and hitch for a tight fit. Store extra shims under strap (C).
3. Fasten using hitch pin and spring pin (D).
4. Tighten adjusting bolts (E) on both sides of equal angle hitch. Tighten jam nuts against hitch.
5. Attach safety chain.
6. Provide only enough slack in the chain to permit turning.



A—Hitch
B—Shims
C—Strap
D—Spring Pin
E—Bolts

E01,338V,B -19-12MAY88

CHECKING BALLAST, WHEEL SPACING, AND TIRE INFLATION

Provide sufficient weight to stabilize tractor when operating on hilly land or other adverse conditions. See your tractor operator's manual.

Insure proper stability by adjusting ballast, wheel spacing and tire inflation. See your tractor operator's manual.

E01,468V,D -19-07JAN87

Preparing the Baler

BREAKING IN THE BALER

After baler has been attached to the tractor, inspect it to be sure all bolts are tight and all chains have proper tension.

NOTE: On twine balers, grease has been applied at the factory to knotter area. Some misses in tying may occur on the first few bales due to this grease. Do not attempt to make adjustment until all knotter parts have had time to become thoroughly polished by the twine.

Drive gears must be lubricated prior to “break-in” period to ensure that any casting irregularities will become worn smooth. Apply a liberal coating of multipurpose grease to each tooth on all gears shown. This must be done before the 1-hour empty running “break-in” procedure described below.

Give new baler an empty running “break-in” period of at least 1 hour to allow parts to work in gradually. After 5 minutes at slow idling speed, stop machine and inspect for loose bolts, hot bearings, binding parts, chain tension, etc.

CAUTION: Disengage all power, shut off engine, and wait until all moving parts have stopped before inspecting baler.

Run baler at slow idling speed for 30 minutes, and increase to full speed for the rest of the period. Inspect baler frequently during “break-in” period. Never trip baler at full rpm without twine in twine disk holder.

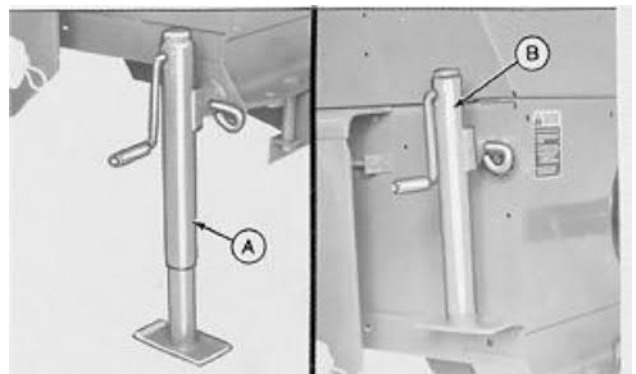


A—Main Drive Gear
B—Cluster Gear
C—Clutch Ring Gear
D—Auger Drive Gear

E28945 -UN-16SEP88
E01,338I,A -19-18MAY88

SECURING JACKSTAND

Secure jackstand (A) in storage location (B) when operating or transporting baler.



E28966 -UN-16SEP88
E01,468I,B -19-11FEB87

Thank you so much for reading.
Please click the “Buy Now!”
button below to download the
complete manual.



After you pay.

You can download the most
perfect and complete manual in
the world immediately.

Our support email:

ebooklibonline@outlook.com