

**6650, 6750,
6850 and 6950
Self-Propelled
Forage Harvesters**

**John Deere Werke Zweibrücken
OMZ92566 Issue K7**

European Edition
Printed in Germany
ENGLISCH

Introduction

READ THIS MANUAL carefully to learn how to operate and service your machine correctly. Failure to do so could result in personal injury or equipment damage. This manual and safety signs on your machine may also be available in other languages (see your John Deere dealer to order).

THIS MANUAL SHOULD BE CONSIDERED a permanent part of your machine and should remain with the machine when you sell it.

MEASUREMENTS in this manual are given in both metric and customary U.S. unit equivalents. Use only correct replacement parts and fasteners. Metric and inch fasteners may require a specific metric or inch wrench.

RIGHT-HAND AND LEFT-HAND sides are determined by facing the direction of forward travel.

WRITE PRODUCT IDENTIFICATION NUMBERS (P.I.N.) in the Specification or Identification Numbers section. Accurately record all the numbers to help in tracing the machine should it be stolen. Your dealer also needs these numbers when you order parts. File the identification numbers in a secure place off the machine.

SETTING FUEL DELIVERY BEYOND PUBLISHED factory specifications or otherwise overpowering will result in loss of warranty protection for this machine.

BEFORE DELIVERING THIS MACHINE, your dealer performed a predelivery inspection. After operating for the first 20 to 50 hours, schedule an after-sale inspection with your dealer to ensure best performance.

THIS FORAGE HARVESTER IS DESIGNED SOLELY for use in customary agricultural or similar operations ("INTENDED USE").

Use in any other way is considered as contrary to the intended use. The manufacturer accepts no liability for damage or injury resulting from this misuse, and these risks must be borne solely by the user. Compliance with and strict adherence to the conditions of operation, service and repair as specified by the manufacturer also constitute essential elements for the intended use.

THIS FORAGE HARVESTER SHOULD BE OPERATED, serviced and repaired only by persons familiar with all its particular characteristics and acquainted with the relevant safety rules (accident prevention).

The accident prevention regulations, all other generally recognized regulations on safety and occupational medicine and the road traffic regulations must be observed at all times.

Any arbitrary modifications carried out on this forage harvester will relieve the manufacturer of all liability for any resulting damage or injury.

Contents

	Page		Page
Identification View	00-1	Automatic kernel processor roll clearance . . .	20-26
Safety		Manual kernel processor roll clearance	20-26
General	05-1	ROW-TRAK control unit	20-27
Operation	05-6	Area counter	20-36
Service	05-11		
Safety Decals	10-1	Lighting System and Signals	
Controls and Instruments		Parking lights/low-beam headlights	25-1
General view	15-1	Full-beam headlights	25-1
Switch console	15-2	Turn signals	25-3
Multi-function lever	15-6	Work lights	25-6
Corner post	15-7	Beacon lights	25-6
Roof switch console	15-8	Hazard warning lights	25-7
Roof console	15-9	Indicator light test	25-8
Automatic function control	15-10	Operator's Cab	
Steering column	15-11	Operator's seat	30-1
Switch console — functions	15-12	Lumbar support	30-2
Multi-function lever — functions	15-21	Left-hand armrest	30-3
Roof switch console — functions	15-24	Right-hand armrest	30-3
Steering column — functions	15-26	Ashtray	30-4
Warning Devices and Monitors		Air comfort seat	30-5
Indicator lights I	20-1	Passenger seat	30-5
Indicator lights II	20-5	Storage compartment for Operator's	
Fuel gauge	20-8	Manuals	30-6
Coolant temperature gauge	20-8	Cooling compartment	30-6
Automatic function control light	20-9	Steering column	30-7
Infotrak monitor	20-10	Foot brakes	30-8
Input of specific machine data	20-14	Parking brake	30-8
Software version	20-14	Releasing parking brake	30-8
Cutterhead alarm speed	20-17	Sun visor	30-9
SERVICE information	20-17	Inside mirror	30-9
Automatic function control	20-18	Outside mirror	30-9
Sharpening cycles	20-19	Interior lighting	30-9
Automatic knife sharpening	20-20	Adjustable air louvers	30-10
Sharpening stone home position (manual)	20-22	Radio and citizen band	30-11
Automatic stationary knife adjustment	20-22		
Manual stationary knife adjustment	20-24	Pre-Starting Checks	
Kernel processor roll clearance	20-25	Daily checks	35-1
		Engine oil level	35-1
		Hydraulic oil level	35-1
		Fuel level	35-2

Continued on next page

All information, illustrations and specifications in this manual are based on the latest information available at the time of publication. The right is reserved to make changes at any time without notice.

OMZ92566 K7-19-02NOV97

COPYRIGHT© 1997
DEERE & COMPANY
European Office Mannheim
All rights reserved
A John Deere ILLUSTRATION® Manual

Contents

	Page		Page
Tires	35-2	Changing harvesting unit	65-4
Hydrostatic oil level	35-2	Field operation of forage harvester	65-4
Fuel system	35-3	Reverser operation	65-9
Lubricating the forage harvester	35-3		
Checks in operator's cab	35-4		
Operating the Engine			
Starting the engine	40-1	Feeding System	
Engine oil pressure indicator light	40-4	Safety information	70-1
Warming up engine	40-4	Locking pin	70-1
Engine idle	40-4	Electromagnetic clutch	70-2
Ether starting aid	40-5	Cutterhead speed sending unit	70-4
Booster battery	40-8	Length-of-cut transmission	70-4
Stopping the engine	40-9	Adjusting length of cut	70-5
Cold weather operation	40-9	Harvesting unit speed	70-6
Driving and Transporting Forage Harvester			
Driving the forage harvester	45-1	Feed roll slip clutch	70-7
Releasing the parking brake	45-1	Length-of-cut transmission service	70-7
Operating foot brakes	45-2	Feed roll drive	70-9
Engaging a gear	45-2	Replacing wear plates	70-9
Road safety switch	45-3	Upper feed roll guides	70-11
Adjusting engine speed	45-3	Feed roll spring attaching points	70-12
Forward and reverse travel	45-4	Adjusting feed roll springs	70-13
Travel speed	45-4	Opening feed roll housing	70-13
Hydrostatic system	45-5	Smooth roll scraper	70-14
Four-wheel drive	45-6	Closing feed roll housing	70-15
Reverse travel alarm	45-7	Feed roll housing safety switch	70-16
Transport information	45-7	Hydraulic reverser motor	70-16
Wheels and Ballast			
Tire maintenance	50-1	Troubleshooting — feeding system	70-17
Tire pressures	50-6		
Rear weights	50-7		
Harvesting Units and Attachments 55-1			
Attaching and Detaching Harvesting Units			
Attaching 6-row row crop unit	60-1		
Preparations and Field Operation			
Preparations for harvesting grass	65-1	Metal Detector	
Preparations for harvesting corn (maize)	65-1	Metal detector operation	75-1
Preparations for harvesting whole plant silage	65-2	Activating the metal detector	75-2
Preparations for harvesting ear corn silage	65-2	Operation without metal detector	75-3
Preparations for harvesting sorghum	65-2	When ferrous metal is detected	75-4
Adjusting area counter switch	65-3	Adjusting the locking pawl	75-5
		Metal detector test	75-7
		Safety rules	75-9
		Electronic box	75-10
		Relay box	75-11
		Indicator light test chart	75-15
		Test charts	75-16
		Troubleshooting	75-18
		Cutterhead, Drive, Guards, Covers	
		Engine access	80-1
		Drive	80-5
		Main clutch	80-6
		Replacing main drive belt	80-9
		Checking belt alignment	80-11
		Cutterhead knives	80-12
		Replacing partial set of knives	80-14
		Replacing complete set of knives	80-15
		Replacing clamp bar	80-17

Continued on next page

Contents

	Page		Page
Replacing threaded bar	80-18	Service and operation	86-4
Knife screw torque	80-19	Tensioning drive belt	86-5
Preparations for knife sharpening	80-20		
Manual knife sharpening	80-20	Discharge	
Automatic knife sharpening device	80-24	Blower and discharge spout	90-1
Replacing sharpening stone	80-26	Blower bottom	90-1
Aligning knife sharpening device	80-28	Replacing wear plate	90-1
Sharpening stone end switch	80-29	Adjusting blower paddles	90-4
Adjusting stationary knife	80-30	Adjusting deflecting edges	90-5
Checking stationary knife	80-35	Spout worm gear and ring gear	90-7
Removing stationary knife	80-36		
Installing stationary knife	80-37	Fuel, Lubricants, Coolant and Capacities	
Eliminating end play of adjusting spindle	80-39	Fuel	95-1
Bottom and outlet bands	80-41	Diesel engine oil	95-2
Adjusting bottom band	80-41	Engine coolant	95-4
Adjusting outlet band	80-42	Transmission oil	95-5
Recirculating screens	80-44	Brake fluid	95-10
Installing/changing recirculating screen	80-44	Grease	95-10
Adjusting recirculating screen	80-47		
Installing spiral floor	80-49	Lubrication, Periodic Service	
Adjusting recutter floor	80-50	Lubrication charts	100-2
Adjusting spiral floor	80-50	Central lubrication system	100-10
Cutterhead service cover	80-53	Break-in service	100-17
Transition chute	80-54	Service intervals	100-17
Removing cutterhead with harvesting unit	80-55	After the first 100 operating hours	100-19
Installing cutterhead with harvesting unit	80-59	Every 250 operating hours	100-19
Main drive troubleshooting	80-60	Every 500 operating hours	100-20
Cutterhead troubleshooting	80-61	Every 1000 operating hours	100-20
Knife sharpener troubleshooting	80-62	Every 1500 operating hours	100-20
Stationary knife troubleshooting	80-64	Every 2000 operating hours	100-21
		As required	100-21
		Every year	100-21
		Every 2 Years	100-21
		V-belts	100-22
		Chains	100-22
		Service — Engine	
		Engine compartment	105-1
		Adjusting engine valve clearance	105-1
		Rocker arm cover and crankcase	
		ventilation	105-2
		Checking crankcase oil level	105-3
		Changing engine oil and filter	105-4
		Service — fuel system	105-8
		Fuel filler neck	105-9
		Fuel tank water trap	105-9
		Fuel system, John Deere engine	105-10
		Fuel system, Cummins engine	105-12
		Fuel shut-off valve	105-13
		Water trap, John Deere engine	105-13
		Continued on next page	
Kernel Processor			
Kernel processor quick conversion	85-1		
Breaking-in kernel processor	85-8		
Field operation	85-9		
Kernel processor service	85-9		
Adjusting roll spacing	85-10		
Adjusting clearance indicator	85-11		
Pretension, lower roll drive belt	85-11		
Adjusting scrapers	85-12		
Roll wear and replacement	85-12		
Potentiometer, automatic adjustment	85-13		
Replacing lower roll drive belts	85-13		
Troubleshooting	85-14		
Power Chute			
Installing power chute	86-1		
Preparing power chute	86-2		
Attaching power chute	86-2		
Drive belts	86-4		

Contents

	Page		Page
Fuel filter, John Deere engine	105-14	System operation	115-2
Checking fuel injection nozzles	105-15	Accumulators	115-3
Bleeding the fuel system	105-15	Pressure control switch	115-4
Fuel filter, Cummins engine	105-17	Hydraulic components — neutral oil flow . . .	115-5
Trailer hitch	105-18	Draining hydraulic oil	115-8
Rotary radiator screen	105-18	Replacing hydraulic oil filter	115-8
Flushing the cooling system	105-20	Refilling hydraulic oil	115-9
Heater shut-off valve	105-26	Temperature and pressure sending units . . .	115-9
Replacing coolant conditioner	105-31		
Drive belts	105-32	Service — Ground Speed Drive	
Air intake system	105-37	Brake system	120-1
Air intake prefilter screen	105-40	Brake fluid reservoir	120-2
Air cleaner element	105-40	Adjusting foot brakes	120-2
Turbocharger	105-45	Parking brake	120-2
Vibration damper	105-46	Hydrostatic drive components	120-3
		Oil cooler	120-4
Service — Electrical System		Oil and filter change	120-4
Specifications	110-1	Transmission	120-5
Batteries	110-1	Final drives	120-6
Alternators	110-4	Front axle	120-7
Starting motor	110-5	Rear axle toe-in	120-7
Access to fuse board	110-6	Steering system components	120-10
Fuse tester	110-6		
Access to circuit boards	110-6	Service — Air Conditioning System, Heater	
Access to electronic control unit	110-8	Air conditioning system components	125-1
Access to relay and diode board	110-8	Heater components	125-2
Sockets	110-9	Compressor	125-4
Storage module	110-10	Refrigerant level	125-4
Electronic system boards	110-11	Low pressure switch	125-5
Fuse board — fuses	110-12	High pressure switch	125-5
Fuse board — relays	110-14	Cleaning condenser	125-6
Shift relays	110-14	Cab air filters	125-6
Relay and diode board	110-15	Air intake opening	125-8
Solenoids	110-16	Condensed water drain hose	125-8
Electronic control unit	110-18		
Engine speed adjustment	110-19	Storage	
Sending unit for electronic control unit	110-20	After the season	130-1
Error codes, automatic function control . . .	110-22	Removing harvester from storage	130-3
Self test of engine electronic system	110-37		
Error codes, Cummins engine	110-38	Specifications	135-1
Work lights	110-48		
Headlights	110-49	Serial numbers	
Clearance and turn signal lights, front	110-50	Serial number plates	140-1
Tail, stop and turn signal lights, rear	110-50	Serial numbers	140-2
Dome light	110-50		
Switch lighting	110-51	Index	
Indicator light bulbs	110-51		
Service — Hydraulic System			
Pressure relief valve	115-1		

Identification View



ZX012524

ZX012524
-UN-20AUG97



ZX012525

ZX012525
-UN-21AUG97

ZX,OMSPFH,TYP01-19-01NOV97

Safety

RECOGNIZE SAFETY INFORMATION

This is the safety-alert symbol. When you see this symbol on your machine or in this manual, be alert to the potential for personal injury.

Follow recommended precautions and safe operating practices.



DX,ALERT -19-03MAR93

T81389 -UN-07DEC68

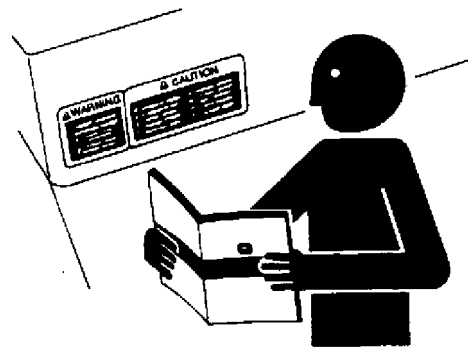
FOLLOW SAFETY INSTRUCTIONS

Carefully read all safety messages in this manual and on your machine safety signs. Keep safety signs in good condition. Replace missing or damaged safety signs. Be sure new equipment components and repair parts include the current safety signs. Replacement safety signs are available from your John Deere dealer.

Learn how to operate the machine and how to use controls properly. Do not let anyone operate without instruction.

Keep your machine in proper working condition. Unauthorized modifications to the machine may impair the function and/or safety and affect machine life.

If you do not understand any part of this manual and need assistance, contact your John Deere dealer.



DX,READ -19-03MAR93

T5201 -UN-23AUG88

UNDERSTAND SIGNAL WORDS

A signal word—DANGER, WARNING, or CAUTION—is used with the safety-alert symbol. DANGER identifies the most serious hazards.

DANGER or WARNING safety signs are located near specific hazards. General precautions are listed on CAUTION safety signs. CAUTION also calls attention to safety messages in this manual.



DX,SIGNAL -19-03MAR93

TS187 -19-30SEP88



OBSERVE ROAD TRAFFIC REGULATIONS

Always observe local road traffic regulations when using public roads.



H28930 -UN-30JUN89

FX,ROAD -19-01MAY91



CAUTION: Avoid possible injury or death from machinery runaway.

Do not start engine by shorting across starter terminals. Machine will start in gear if normal circuitry is bypassed.

NEVER start engine while standing on ground. Start engine only from operator's seat, with transmission in neutral or park.

DX,BYPAS -19-26JAN90

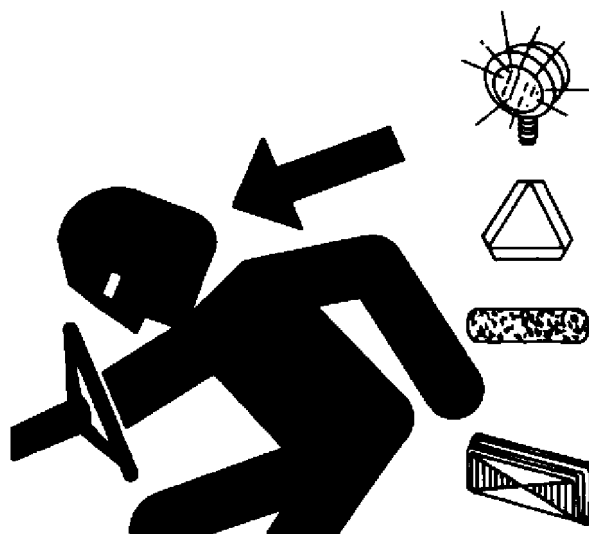


USE SAFETY LIGHTS AND DEVICES

Slow moving tractors, self-propelled equipment and towed implements or attachments can create a hazard when driving on public roads. They are difficult to see, especially at night. Avoid personal injury or death resulting from collision with a vehicle.

If legally permitted, use flashing warning lights or rotary beacons whenever driving on public roads. To increase visibility, use the lights and devices provided with your machine. For some equipment, install additional flashing warning lights.

Keep safety items in good condition. Replace missing or damaged items. An implement safety lighting kit is available from your John Deere dealer.



ZX,FLASH -19-01OCT91

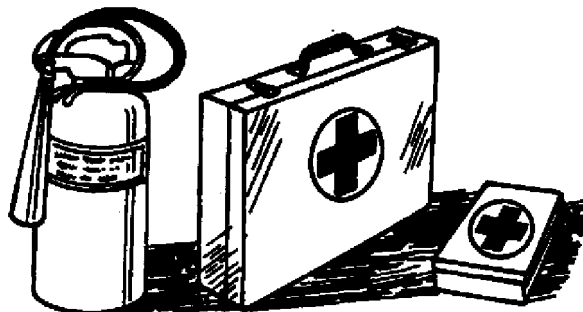
TS951 -UN-12APR90

PREPARE FOR EMERGENCIES

Be prepared if a fire starts.

Keep a first aid kit and fire extinguisher handy.

Keep emergency numbers for doctors, ambulance service, hospital, and fire department near your telephone.



DX,FIRE2 -19-03MAR93

TS291 -UN-23AUG88



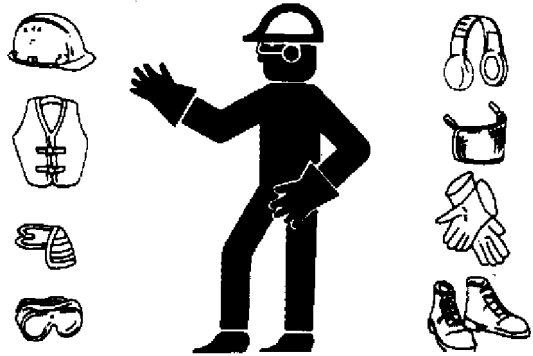
WEAR PROTECTIVE CLOTHING

Wear close fitting clothing and safety equipment appropriate to the job.

Prolonged exposure to loud noise can cause impairment or loss of hearing.

Wear a suitable hearing protective device such as earmuffs or earplugs to protect against objectionable or uncomfortable loud noises.

Operating equipment safely requires the full attention of the operator. Do not wear radio or music headphones while operating machine.



DX,WEAR -19-10SEP90

TS206 -UN-23AUG88

HANDLE FUEL SAFELY—AVOID FIRES

Handle fuel with care: it is highly flammable. Do not refuel the machine while smoking or when near open flame or sparks.

Always stop engine before refueling machine. Fill fuel tank outdoors.

Prevent fires by keeping machine clean of accumulated trash, grease, and debris. Always clean up spilled fuel.



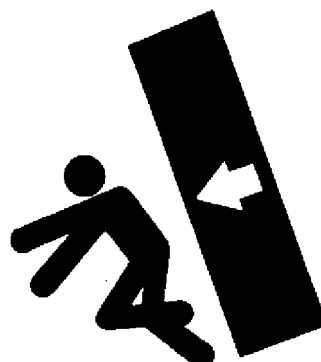
DX,FIRE1 -19-03MAR93

TS202 -UN-23AUG88

STORE ATTACHMENTS SAFELY

Stored attachments such as dual wheels, cage wheels, and loaders can fall and cause serious injury or death.

Securely store attachments and implements to prevent falling. Keep playing children and bystanders away from storage area.



DX,STORE -19-03MAR93

TS219 -UN-23AUG88



HANDLE STARTING FLUID SAFELY

Starting fluid is highly flammable.

Keep all sparks and flame away when using it. Keep starting fluid away from batteries and cables.

To prevent accidental discharge when storing the pressurized can, keep the cap on the container, and store in a cool, protected location.

Do not incinerate or puncture a starting fluid container.



DX,FIRE3 -19-16APR92

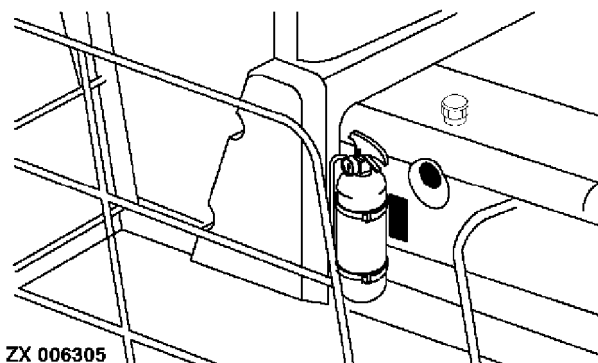
TS1356 -UN-18MAR92

FIRE EXTINGUISHER

A 6 kg (13 lb) general purpose fire extinguisher complying with legal regulations must be installed on the left-hand side of the operator's platform.

Make sure that the fire extinguisher is always ready for operation.

Keep the engine clean and free of dust, chaff and straw to prevent the possibility of a fire.



ZX 006305

ZX,FIRESPFH -19-01JUN94

ZX006305 -UN-03APR95



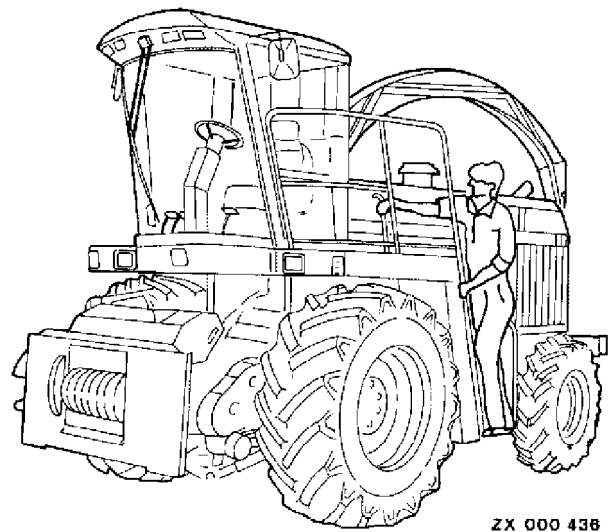
CHECK MACHINE SAFETY

Always check the road and general operating safety of the machine before using.

FX,READY -19-28FEB91

MOUNT AND DISMOUNT SAFELY

Use handrail when mounting or dismounting the harvester.



ZX 000 436

-UN-03APR95
ZX000436

ZX,HANDLE -19-01OCT91

OPERATE SAFELY

All machinery should only be operated by responsible adults who have been properly instructed and delegated to do so.

Never stand in the discharge spout path while cutterhead and fan are turning.

Never open cutterhead or fan housing doors while cutterhead is turning.

Always operate machine at rated speed.



-UN-23AUG88
TS263

ZX,CAUTION -19-01OCT91



RIDERS

Only allow the operator and one rider on the machine.

Other riders are subject to injury such as being thrown off the machine and obstruct the operator's view resulting in the machine being operated in an unsafe manner.

One rider is permitted, since the machine is equipped with a factory-approved passenger seat.



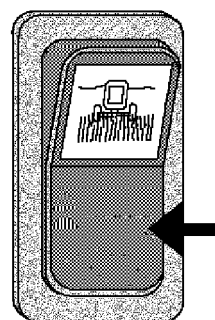
ZX,PASSENGER -19-02OCT91

TS253
-UN-23AUG68

ROAD SAFETY SWITCH

IMPORTANT: Before driving forage harvester on public roads, make sure that the road safety switch is in the road position.

This ensures that all the hydraulic functions with the exception of the steering are switched off.



ZX 002418

ZX,SWITCH -19-01MAY94

ZX002418
-UN-16JUN95



DRIVING THE FORAGE HARVESTER

Operate machine only when all guards are correctly installed.

Before moving away, always check immediate vicinity of machine (e.g. for children). Ensure adequate visibility. Use the horn as a warning immediately before moving away.

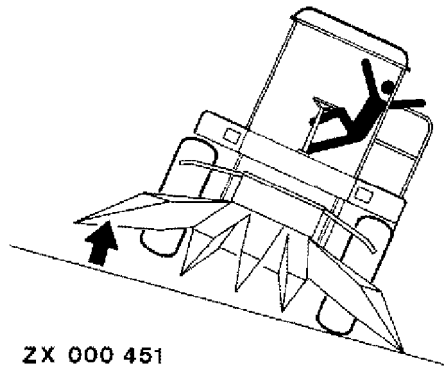
Always adapt ground speed to road or field conditions. Avoid making sharp turns when driving up or down slopes or when driving across a slope.

Attach harvesting units and other implements to forage harvester with extreme care.

When making turns, always take into consideration the width of the attachment and the fact that the rear end of the forage harvester swings out. Attachments and ground conditions affect the driving characteristics of the harvester.

Reduce ground speed when driving on slopes or over uneven ground and before making sharp turns. Before descending a steep hill, shift to a lower gear.

Avoid holes, ditches and obstructions which may cause the forage harvester to tip, particularly on hillsides.



ZX 000 451

ZX000451 -JUN-05APR95

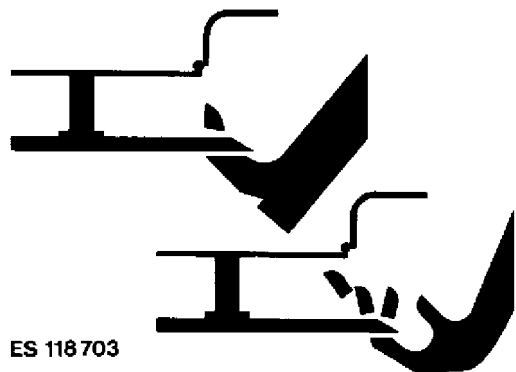
ZX,DRIVE -19-02OCT91

GUARDS AND SHIELDS

Keep guards and shields in place at all times. Ensure that they are serviceable and installed correctly.

Always disengage main clutch, shut off engine and remove key before removing any guards or shields.

Keep hands, feet and clothing away from moving parts.



ES 118 703

ES118703 -JUN-21MAR95

FX,DEVICE -19-04DEC90



STAY CLEAR OF HARVESTING UNITS

Cutterbar, auger, reel and feed rolls cannot be completely shielded due to their function. Stay clear of these moving elements during operation. Always disengage main clutch, shut off engine and remove key before servicing or unclogging machine.



FX,CUT -19-21DEC90

ES118704 -UN-21MAR95

KEEP HANDS AWAY FROM KNIVES

Never attempt to clear obstructions in front of or on harvesting unit unless main clutch is disengaged, engine shut off and key removed.

Everyone must be clear of the forage harvester before starting the engine.



FX,KNIFE -19-21DEC90

-UN-23AUG88

TS254

STAY CLEAR OF ROTATING DRIVELINES

Entanglement in rotating driveline can cause serious injury or death.

Keep tractor master shield and driveline shields in place at all times. Make sure rotating shields turn freely.

Wear close fitting clothing. Stop the engine and be sure PTO driveline is stopped before making adjustments, connections, or cleaning out PTO driven equipment.



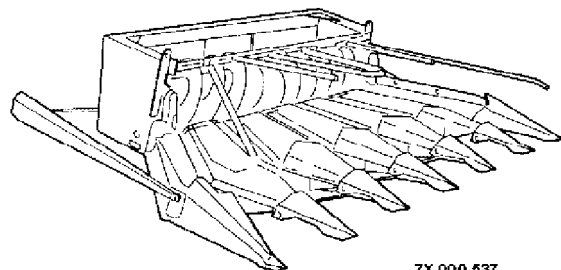
DX,PTO -19-12SEP95

-UN-22AUG95

TS1644

AVOID ENTANGLEMENT

To avoid entanglement, do not feed crop into machine by hand or attempt to manually unplug machine while it is running. The feed rolls can feed crop material in faster than you can release your grip on the material.



ZX,FEEDROLL -19-04DEC90

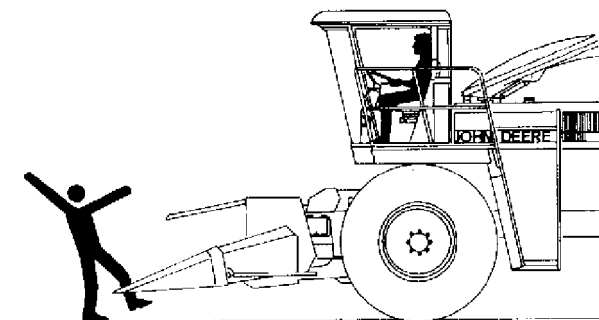
-UN-03APR95

ZX000537



TRANSPORT WITH HARVESTING UNIT INSTALLED

Before driving forage harvester on public roads, harvesting unit must be raised and secured in this position. It must not, however, obstruct operator's view of the road. Remove crop dividers (if equipped) and install protective cover.



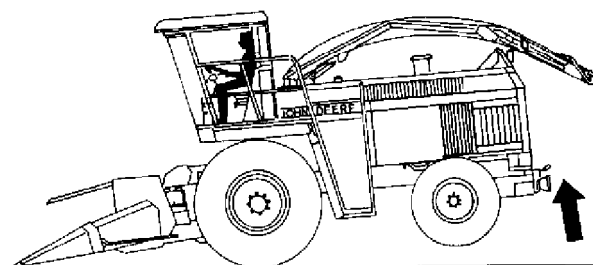
ZX 000 452

ZX,HEADER -19-04DEC90

-UN-03APR95
ZX000452

BALLASTING FOR SAFE GROUND CONTACT

Operating, steering and braking performance of forage harvester can be considerably affected by attachments which alter the center of gravity of the machine. To maintain safe ground contact, ballast the harvester at the rear end as necessary. Observe the maximum permissible axle loads and total weights.



ZX 000 453

ZX,WEIGHT -19-02OCT91

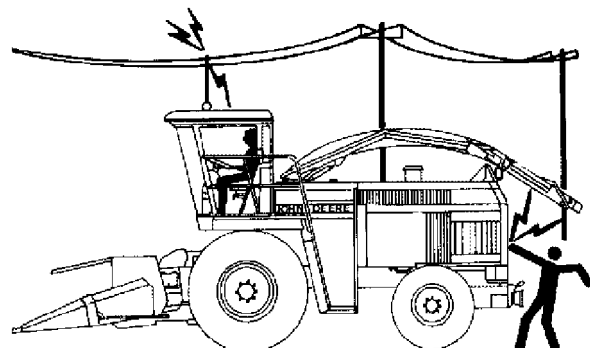
-UN-03APR95
ZX000453

RADIO AERIAL

If radio aerial is not secured in its transport position before driving on public roads, it may come into contact with low-hanging electrical cables. This would result in the operator suffering a severe electrical shock.

To avoid electrical shock, no portion of the machine should be higher than 4 m (13 ft).

Before transporting machine, bend aerial or remove it.



ZX 000 454

ZX,ANTENNA -19-01JAN93

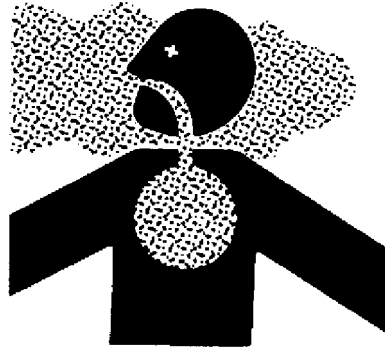
-UN-03APR95
ZX000454



WORK IN VENTILATED AREA

Engine exhaust fumes can cause sickness or death. If it is necessary to run an engine in an enclosed area, remove the exhaust fumes from the area with an exhaust pipe extension.

If you do not have an exhaust pipe extension, open the doors and get outside air into the area.

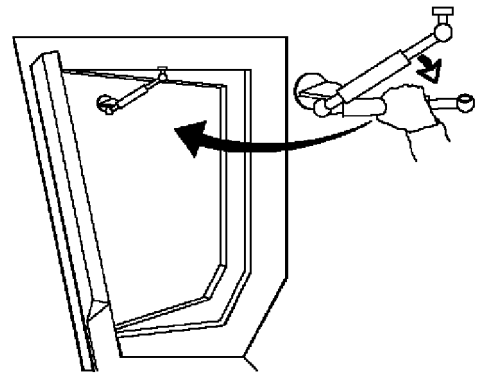


DX,AIR -19-04JUN90

TS220 -UN-23AUG88

EMERGENCY EXIT

The right-hand cab window may be used as an emergency exit. Disengage the gas-filled spring on the sidewall of the cab and open the window.



ZX 006004

ZX_OMSPFH003293-19-01MAY94

ZX006004 -UN-03APR95

PRACTICE SAFE MAINTENANCE

Understand service procedure before doing work. Keep area clean and dry.

Never lubricate, service, or adjust machine while it is moving. Keep hands, feet, and clothing from power-driven parts. Disengage all power and operate controls to relieve pressure. Lower equipment to the ground. Stop the engine. Remove the key. Allow machine to cool.

Securely support any machine elements that must be raised for service work.

Keep all parts in good condition and properly installed. Fix damage immediately. Replace worn or broken parts. Remove any buildup of grease, oil, or debris.

Disconnect battery ground cable (-) before making adjustments on electrical systems or welding on machine.



DX,SERV -19-03MAR93

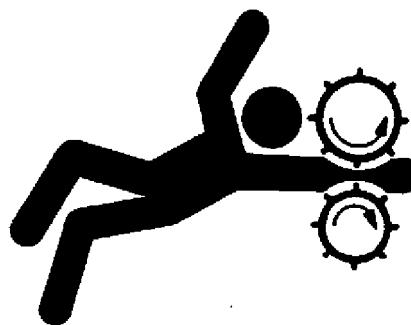
TS218 -UN-23AUG88



SERVICE MACHINES SAFELY

Tie long hair behind your head. Do not wear a necktie, scarf, loose clothing, or necklace when you work near machine tools or moving parts. If these items were to get caught, severe injury could result.

Remove rings and other jewelry to prevent electrical shorts and entanglement in moving parts.



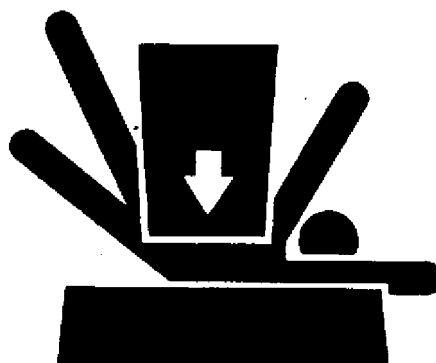
DX.LOOSE -19-04JUN90

TS228
-UN-23AUG88

SUPPORT MACHINE PROPERLY

Always lower the attachment or implement to the ground before you work on the machine. If you must work on a lifted machine or attachment, securely support the machine or attachment.

Do not support the machine on cinder blocks, hollow tiles, or props that may crumble under continuous load. Do not work under a machine that is supported solely by a jack. Follow recommended procedures in this manual.

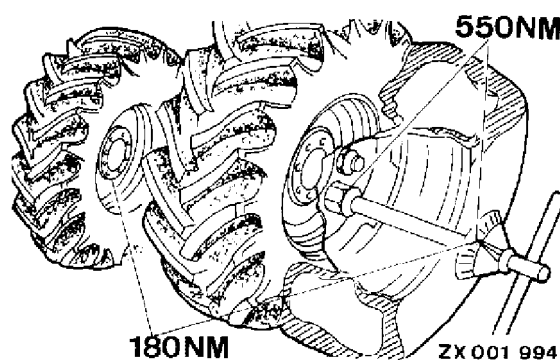


DX.LOWER -19-04JUN90

TS229
-UN-23AUG88

RETORQUE WHEEL NUTS

Retorque wheel nuts as specified in Sections "Wheels and Ballast" and "Lubrication, Periodic Services". Failure to do this could result in a wheel falling off during operation, causing the machine to tip over with serious injury to the operator and extensive damage to the machine.



ZX.NUTSSPFH -19-01NOV97

ZX001994
-UN-03APR95



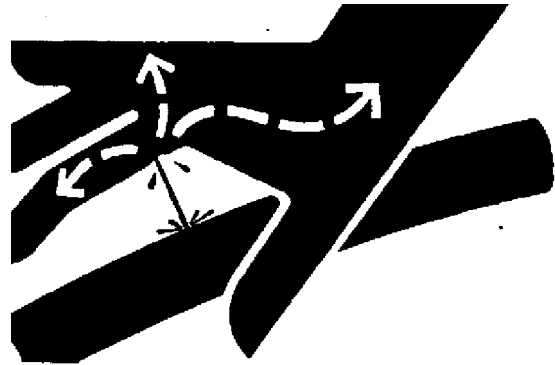
AVOID HIGH-PRESSURE FLUIDS

Escaping fluid under pressure can penetrate the skin causing serious injury.

Avoid the hazard by relieving pressure before disconnecting hydraulic or other lines. Tighten all connections before applying pressure.

Search for leaks with a piece of cardboard. Protect hands and body from high pressure fluids.

If an accident occurs, see a doctor immediately. Any fluid injected into the skin must be surgically removed within a few hours or gangrene may result. Doctors unfamiliar with this type of injury should reference a knowledgeable medical source. Such information is available from Deere & Company Medical Department in Moline, Illinois, U.S.A.



X9811 -UN-23AUG88

DX,FLUID -19-03MAR93

PREVENT BATTERY EXPLOSIONS

Keep sparks, lighted matches, and open flame away from the top of battery. Battery gas can explode.

Never check battery charge by placing a metal object across the posts. Use a volt-meter or hydrometer.

Do not charge a frozen battery; it may explode. Warm battery to 16°C (60°F).



TS204 -UN-23AUG88

DX,SPARKS -19-03MAR93

Thank you so much for reading.
Please click the “Buy Now!”
button below to download the
complete manual.



After you pay.

You can download the most
perfect and complete manual in
the world immediately.

Our support email:

ebooklibonline@outlook.com